
项目名称

W2213

版本号

A01

设计时间

2022/05/09

物料名称

说明书

设计师

张紫安

审核

批准

料号

04170500000970

材质工艺要求:

材质要求: 封面 :157G 哑粉纸过油, 内页 :68G 哑粉

颜色及专色: 单色印刷

尺寸要求: 140mm*210mm

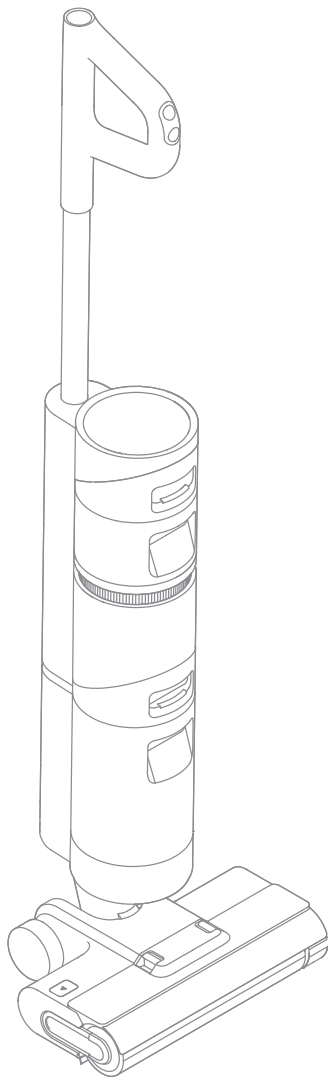
变更履历:

A01: 20220509 删除深度自清洁

Dreame H12

Wet and Dry Vacuum

User Manual



The illustrations in this manual are for reference only.
Please refer to the actual product.

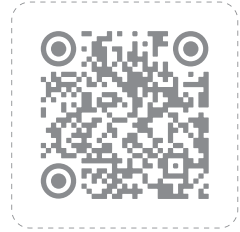
dreame

THANK YOU

FOR PURCHASING THIS DREAME
WET AND DRY VACUUM.

Registration Quick Start

Welcome to register a Dreame account by scanning the QR code. You are available for the **User Manual** and **Special Offers**.



With it you are obtaining a high quality product that is engineered for optimal performance.

If you have any questions on the product, please contact us: aftersales@dreame.tech.

Contents

EN	User Manual	001
DE	Benutzerhandbuch	021
FR	Manuel d'utilisation	042
IT	Manuale utente	062
ES	Manual de usuario	082
RU	Руководство пользователя	102
PL	Instrukcja obsługi	122
HE	מדריך למשתמש	142
SA	دليل الاستخدام	162

Important Safety Instructions For Household Use Only

- Please read this manual carefully before use and retain it for future reference.
- When using an electrical appliance, basic precautions should always be followed, including the following:
- **READ ALL INSTRUCTIONS BEFORE USING (THIS APPLIANCE).** Failure to follow the warnings and instructions may result in electric shock, fire and/or serious injury.

WARNING- To reduce the risk of fire, electric shock, or injury:

- Use only as described in this user guide. Use only manufacturer's recommended attachments.
- Use indoors only, on non-carpeted floor surfaces such as vinyl, tile, sealed wood, etc. Be careful not to run over loose objects or the edges of area rugs. Stalling the brush may result in premature belt failure.
- This product should not be used by children younger than 8 years old nor persons with physical, sensory, intellectual deficiencies, or limited experience or knowledge without the supervision of a parent or guardian to ensure safe operation and to avoid any risks. Cleaning and maintenance shall not be performed by children without supervision.
- This appliance is not intended for use by persons (including children) with reduced physical, sensory or mental capabilities, or lack of experience and knowledge, unless they have been given supervision or instruction concerning use of the appliance by a person responsible for their safety.
- Do not use a flammable or combustible liquid to clean floors.
- Do not use to pick up flammable or combustible liquids, such as gasoline. Do not use in areas where flammable or combustible liquids may be present.
- For the purposes of recharging the battery, only use the detachable adapter provided with this appliance. Use only with <YLS0251B-E260090> adapter.
- An adapter that is suitable for one type of battery pack may create a risk of fire when used with another battery pack.
- Do not immerse the appliance in liquid.
- Plastic film can be dangerous. To avoid the danger of suffocation, keep it away from children.
- Keep hair, loose clothing, fingers, and all parts of the body away from openings and moving parts of the appliance and its accessories.
- Only use the type and amount of liquids specified under the operations section of this guide. Liquid must not be directed towards equipment containing electrical components.

Safety Information

- Do not put any object into openings. Do not use the appliance when any opening is blocked; keep free of dust, lint, hair, and anything that may inhibit air flow.
- Do not use it without filters in place.
- Do not use the appliance with a damaged adapter. If the adapter is damaged, it must be replaced by the manufacturer, its service agent or similarity qualified persons in order to avoid hazards.
- Do not pick up toxic material (chlorine bleach, ammonia, drain cleaner, etc.). Do not pick up hard or sharp objects such as glass, nails, screws, coins, etc.
- Do not use the appliance in an enclosed space filled with vapour given off by oil-based paint, paint thinner, some moth-proofing substances, flammable dust, or other explosive or toxic vapour. Do not pick up anything that is burning or smoking, such as cigarettes, matches or hot ashes.
- Follow all charging instructions and do not charge the appliance outside of the temperature range specified in the battery as doing so increases the risk of fire.
- Charger base output terminals should not be short-circuited. Do not use it with damaged charger base. If the appliance has been dropped, damaged, left outdoors, dropped into water, or is not working as it should, return it to a service center.
- Keep the adapter cable away from heated surfaces. Do not handle the adapter plug or appliance with wet hands. To unplug, grasp the adapter plug, rather than the cable.
- Do not pull or carry adapter by cable, use cable as a handle, close door on cable, or pull cable around sharp edges or corners.
- Switch off when not in use, before cleaning, maintaining or servicing the appliance, and before connecting or disconnecting the tool with a moving brush.
- Do not use an appliance that is damaged or modified. Damaged or modified appliance may exhibit unpredictable behavior resulting in fire, explosion, or risk of injury.
- Do not expose the appliance to fire or excessive temperature. Exposure to fire or excessive temperature may cause an explosion.
- Ensure that the appliance is placed on a horizontal surface. Do not use the appliance at the same position if the appliance is equipped with a brush roller and the handle is not completely upright. Do not store the appliance in a place where it may freeze.
- Use extra care when cleaning on stairs.
- Prevent unintentional starting. Ensure the switch is in the OFF-position before picking up or carrying the appliance. Carrying the appliance with your finger on the switch or energizing appliance that have the switch on invites accidents.
- This product contains batteries that can only be replaced by qualified technicians or after-sales service.

SAVE THESE INSTRUCTIONS IMPORTANT SAFEGUARDS

- Have servicing performed by a qualified repair person using only identical replacement parts. This will ensure that the safety of the product is maintained.
- Do not modify or attempt to repair the appliance excepts as indicated in the instructions for use and care.
- Do not use in extremely hot or cold environments (below 0°C /32° F or above 40° C/104° F). Please charge the appliance in temperature above 0°C /32° F and below 40°C /104° F).
- If appliance has been dropped, damaged, left outdoors, dropped into water, or is not working as it should, never attempt to operate it. Please have it repaired at an authorized service center.

 detachable supply unit

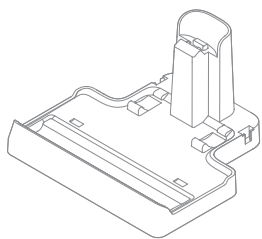
 read operator's manual

We, Dreame Trading (Tianjin) Co., Ltd., hereby, declares that this equipment is in compliance with the applicable Directives and European Norms, and amendments. The full text of the EU declaration of conformity is available at the following internet address: <https://global.dreameotech.com>

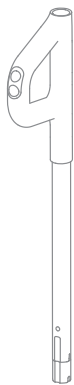
For detailed e-manual, please go to <https://global.dreameotech.com/pages/user-manuals-and-faqs>

Product Overview

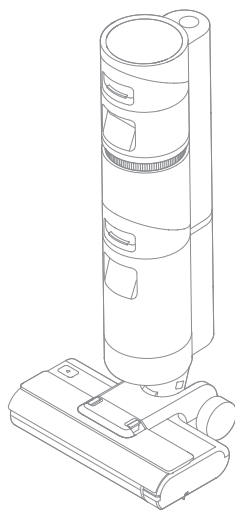
Packing List



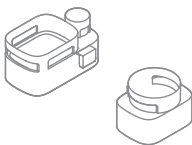
Charging Base



Handle



Main Body



Accessory Holder



Cleaning Brush



Power Adapter



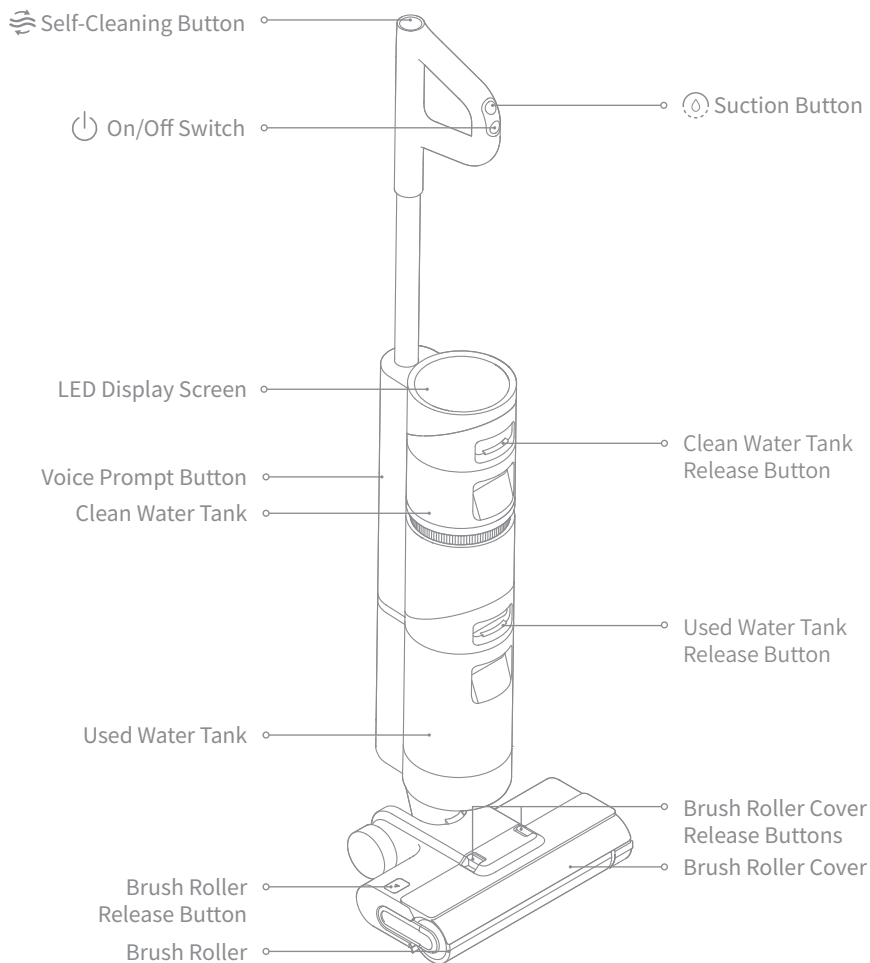
Spare Brush Roller



Replacement Filter

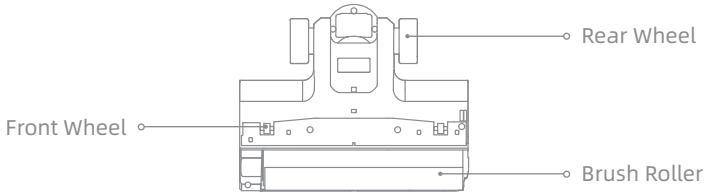
EN Product Overview

Vacuum

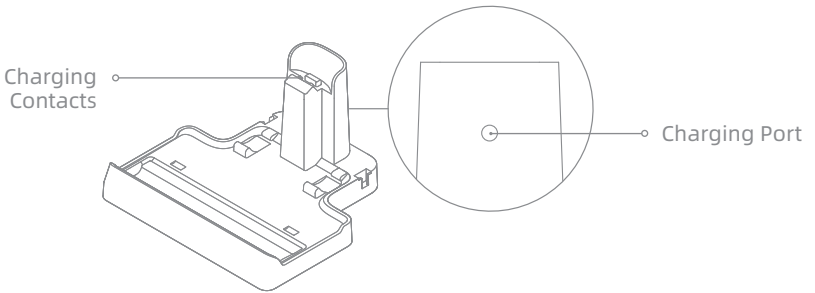


Product Overview

Brush Assembly

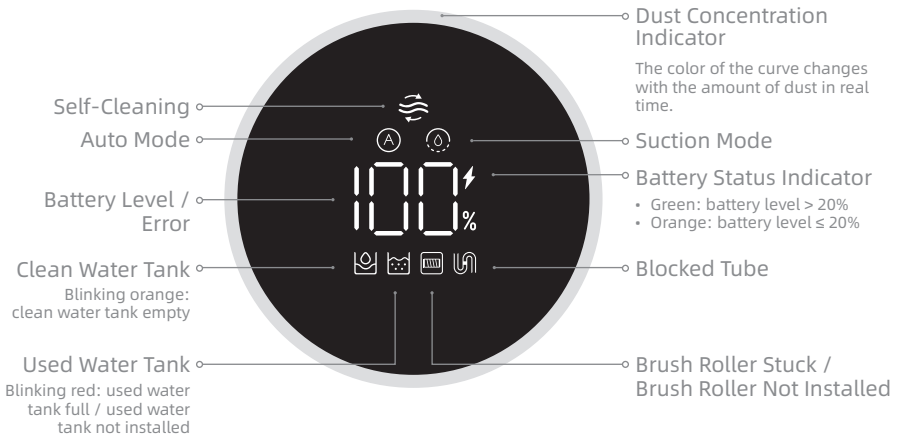


Charging Base

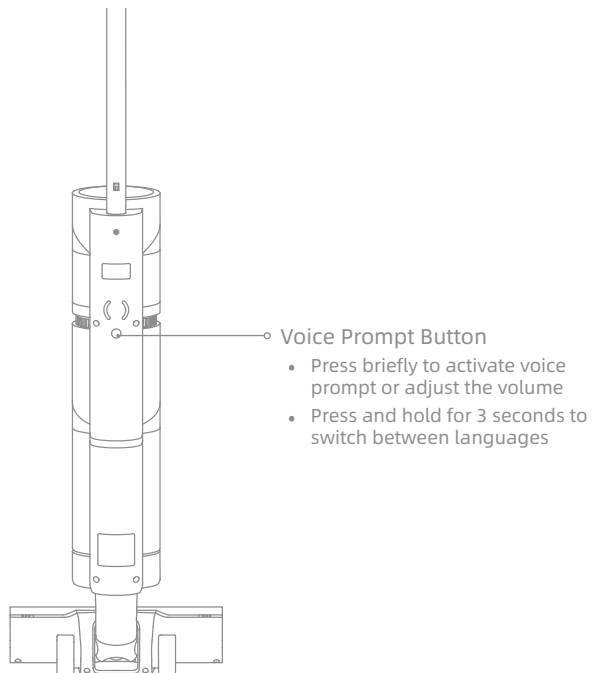


EN Product Overview

Display Screen



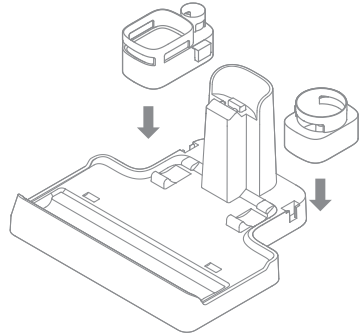
Voice Prompt Button



Installation

Accessory Holder Installation

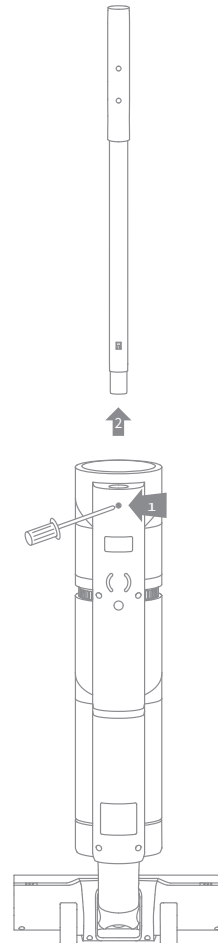
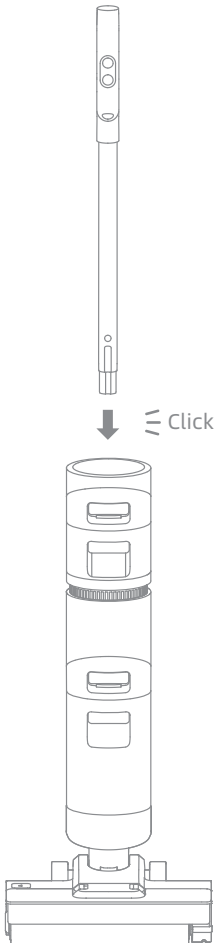
Install the accessory holder into the charging base as indicated.



Vacuum Installation

Insert the end of the handle vertically into the port on the top of the vacuum as indicated until you hear a click.

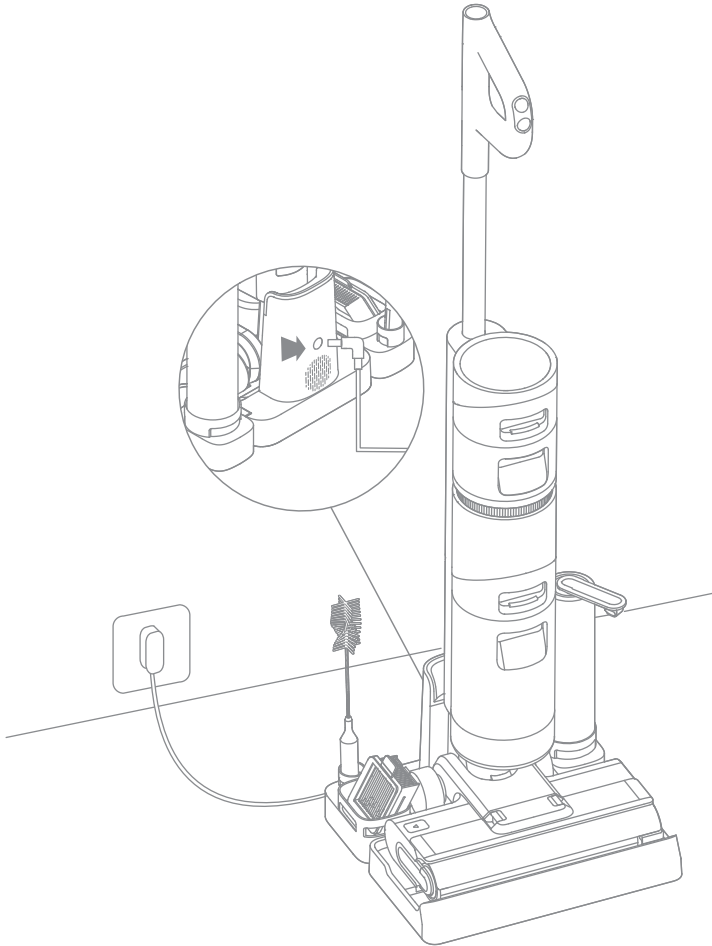
Note: To disassemble, extend a hard object into the hole on the back of the vacuum to press contacts, and pull the handle upwards at the same time.



Charging

Note: Fully charge the vacuum before first use.

1. Place the charging base on the level ground against a wall. Connect one end of the power adapter to the charging base and another end to a power outlet.
2. Place the vacuum on the charging base, the ⚡ on the screen will light up to indicate the charging status. The number on the display screen represents the current battery level as a percentage during charging. When the number is at 100, the battery is fully charged and the ⚡ will turn off. If no operation is performed within 10 seconds, the screen will turn off automatically.

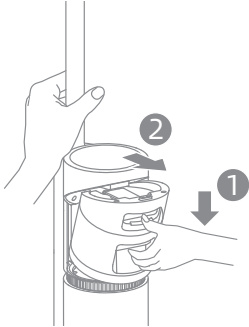


Note: If there is no operation within 15 minutes of being fully charged, the vacuum will enter sleep mode.

How to Use

Filling the Clean Water Tank

1. Press the clean water tank release button and pull the tank outwards to remove it.



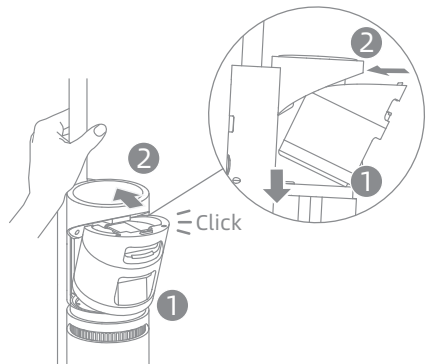
2. Remove the cover of the clean water tank and fill the tank with clean water.



3. Close the tank cover tightly.




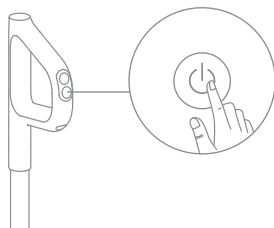
4. Install the clean water tank and ensure it clicks into place.



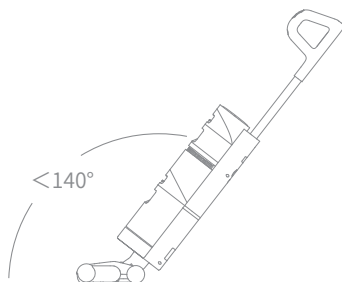
How to Use

Starting Cleaning

Briefly press the  button to power on, and the vacuum will start cleaning. The vacuum comes with an upright/reclining switch. Please gently step on the brush cover and recline the vacuum backwards to start operating. If the vacuum is in the upright position while working, the current task will be suspended.



Note: When the vacuum is working, neither move it off the ground nor lay it flat. Otherwise, the dirty water may flow into the motor.



Do not recline the vacuum backwards more than 140° to prevent the vacuum from leaking water.

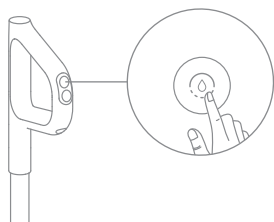
Do not use to vacuum any foamy liquids.

Auto Mode / Suction Mode

The vacuum is powered on by default in Auto mode, you can switch to the Suction mode based on your needs.

Auto Mode: The vacuum can adjust its suction power depending on different situations.

Suction Mode: The vacuum can clean the water stains on the floor.



Care & Maintenance

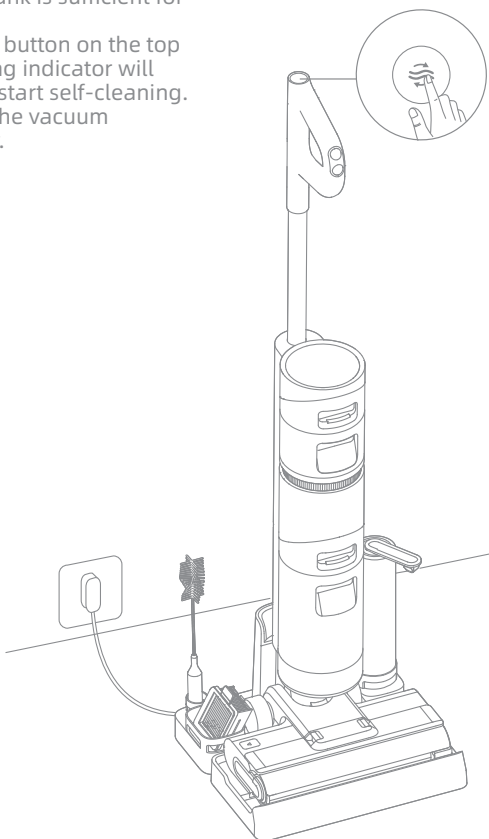
Tips:

1. Turn off the vacuum before care and maintenance.
2. Replace parts if needed. The parts must be replaced by those available from the manufacturer or its service agent.
3. If the vacuum is not used for an extended period, fully charge it, unplug the power adapter, and store the vacuum in a cool, low-humidity environment away from direct sunlight. To avoid over-discharge of the battery, charge the vacuum at least once every 3 months.

One-Touch Self-Cleaning

* The self-cleaning function can be enabled only when the vacuum is being charged and the battery level is more than 15%.

1. After the vacuum completes the cleaning task, place it back onto the base and make sure that the water in the clean water tank is sufficient for self-cleaning.
2. Briefly press the self-cleaning button on the top of the handle, the self-cleaning indicator will light up, and the vacuum will start self-cleaning.
3. After the self-cleaning ends, the vacuum continues charging its battery.

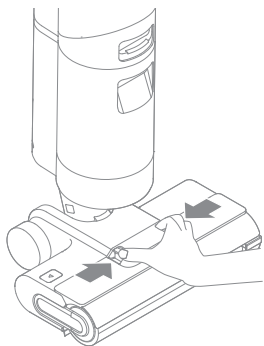


Note: After the vacuum completes self-cleaning, clean the used water tank promptly. If some stains are left on the charging base, clean the base .

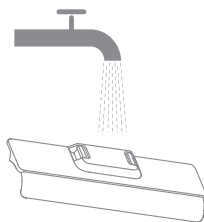
Cleaning the Brush Roller Cover

* Clean it as needed.

1. Press the brush roller cover release buttons at both ends inward to remove the cover

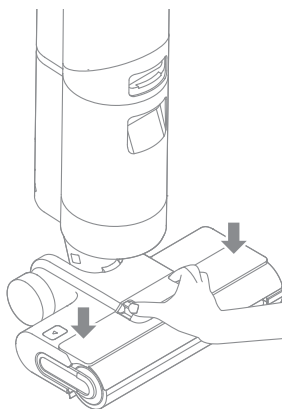
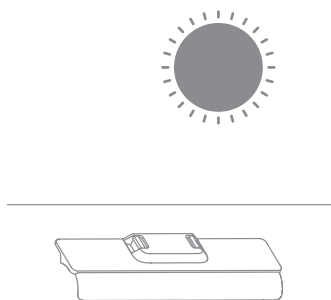


2. Rinse the cover with clean water or wipe it with a cloth.



3. Dry the cover completely before use.

4. Re-install the cover back.

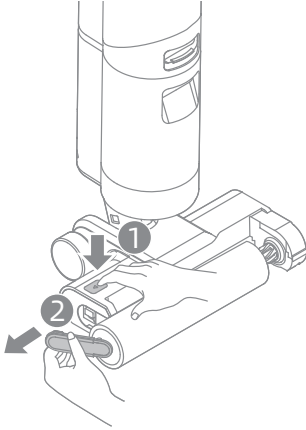


Care & Maintenance

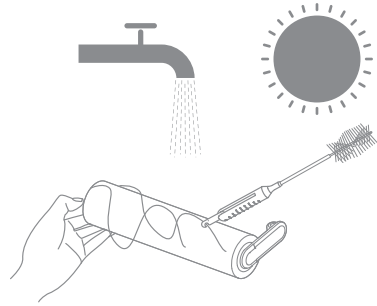
Cleaning the Brush Roller

* Clean it as needed. Replacing every 3 to 6 months is recommended.

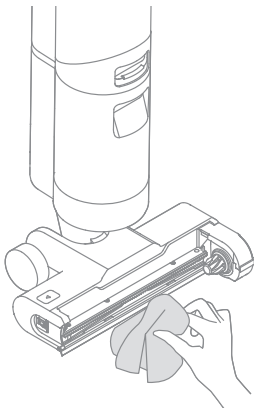
1. Press the brush roller release button, and the brush roller handle pops out. Pull it to take out the brush roller.



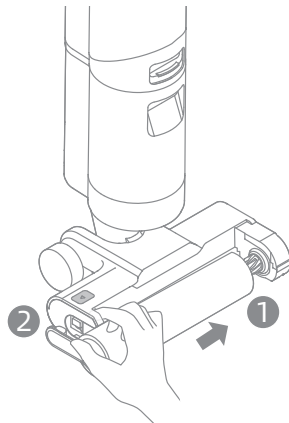
2. Clean out any hair and debris tangled on the brush roller with the provided cleaning brush. Rinse the brush roller with clean water and dry it completely.



3. Wipe the suction inlet with a dry cloth or wet tissue. Do not rinse the brush assembly with water.



4. After cleaning the brush roller, align and push the right end into the right slot on the brush assembly and press the brush roller handle into the left slot on the brush assembly.

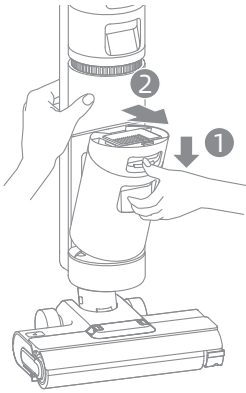


Care & Maintenance

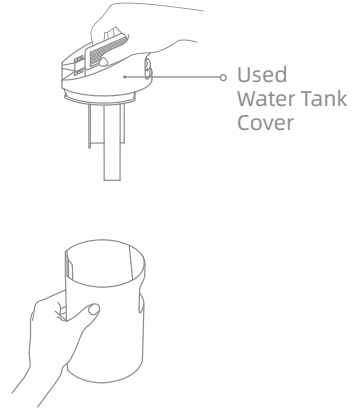
Cleaning the Used Water Tank

* Cleaning the used water tank after each use and before and after enabling the self-cleaning function is recommended.

1. Press the used water tank release button, and pull the used water tank outwards to take it out.



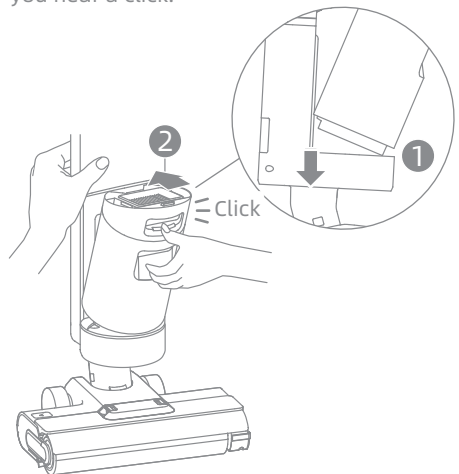
2. Hold the used water tank and remove the tank cover. Pour out the wastewater.



3. Rinse the used water tank and tank cover with clean water. Clean the inner wall of the tank with the provided cleaning brush.



4. After the cleaning is completed, close the tank cover, snap the bottom of the tank into the support position of the vacuum, and gently push the tank until you hear a click.

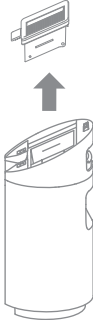


Care & Maintenance

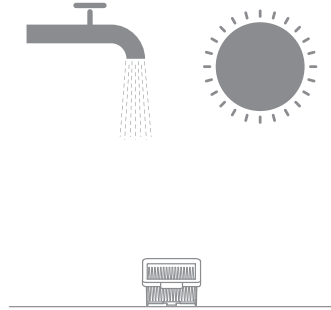
Cleaning the Filter

* Replace it every 3 to 6 months.

1. Remove the filter from the top of the used water tank.

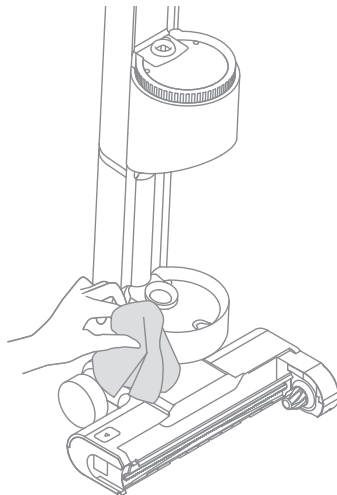


2. If the filter is dirty, rinse it with clean water and dry it completely before use.



Cleaning the Tube

Remove the used water tank, wipe it with a damp cloth to clean out the tube before use.







Error	Possible Cause	Solution
The vacuum does not work.	The handle is not installed in place.	Re-install the handle.
	The vacuum is out of battery or its battery level is low.	Fully charge its battery before use.
	The vacuum is in the upright position.	Recline the vacuum backwards.
	The brush roller is not installed in place, or the brush roller is entangled by hairs and unable to rotate..	Re-install or clean the brush roller.
	The used water tank is not installed in place.	Re-install the used water tank.
	The used water tank is full.	Empty the used water tank.
The suction power of the vacuum is weak.	The filter is clogged.	Clean the filter.
	The brush roller cover, filter, or clean water tank are not installed in place.	Install the brush roller cover, filter, and clean water tank in place before use.
	The brush roller is entangled by hairs.	Refer to the maintenance guide [Cleaning the Brush Roller] section.
	There are some foreign objects in the tube or the tube is blocked.	Clean the tube.
The motor is making a strange noise.	Too much dirty water in the used water tank.	Empty the used water tank.
	The suction inlet is blocked.	Clear any blockage in the suction inlet.
The battery status indicator does not light up while charging.	The power adapter is not plugged into the electrical outlet.	Make sure the power adapter is plugged in.
	The power adapter is not connected to the charging base.	Make sure they are connected.

Error	Possible Cause	Solution
The battery status indicator does not light up while charging.	The vacuum is not placed onto the charging base properly.	Make sure the vacuum is placed onto the charging base properly.
No water comes out of the vacuum.	The clean water tank is not installed in place, or the water in the clean water tank is insufficient.	Re-install or fill the clean water tank.
The vent leaks water.	A collision or a sharp pull causes water to enter the motor.	Move gently back and forth when the vacuum is turned on.
	The filter is not completely dry after being cleaned.	Dry the filter completely before use.
Self-cleaning fails.	The brush roller may be jammed by large particles.	Open the brush roller cover to check and clean the brush roller.
	The vacuum is not being charged.	Make sure the vacuum is being charged before enabling the self-cleaning function.
	The self-cleaning cannot be enabled if the battery level is lower than 15%.	The self-cleaning function can be enabled only when the vacuum is being charged and the battery level is more than 15%.
	The used water tank is not installed in place, or the used water tank is full.	Re-install or empty the used water tank.
	The clean water tank is not installed in place, or the water in the clean water tank is insufficient.	Re-install or fill the clean water tank.

EN Troubleshooting

If the vacuum is not working properly, the screen display will show an error message. Please refer to the troubleshooting table to find your solution.

Error Icon	Possible Cause	Solution
	Insufficient water in clean water tank	Fill the clean water tank.
	Used water tank not installed	Install the used water tank.
	Used water tank full	Empty the used water tank.
	Brush roller stuck	Clean the brush roller with the provided cleaning brush.
	Brush roller not installed	Install the brush roller.
	Blocked tube	Check whether the filter is clogged.
		Refer to the maintenance manual [Cleaning the Tube] section.

Troubleshooting Code	Possible Cause	Solution
E1/EE/EF	Motor error	Please contact customer service.
E2/E3/E7/E8/E9	Battery error	Please contact customer service.
E4/E5	Incompatible power adapter	Please use the original power adapter. If the problem persists, contact customer service.
E6	Battery overheating	Wait until the battery's temperature returns normal.

Specifications

Wet and Dry Vacuum Floor Washer			
Model	HHR14B	Charging Time	Approx. 5 hours
Rated Voltage	21.6 V ---	Charging Voltage	26 V ---
Rated Power	200 W	Rated Capacity	3650 mAh
Nominal Capacity	4000 mAh	Used Water Tank Capacity	500 mL
Clean Water Tank Capacity	900 mL		
Power Adapter			
Model	YLS0251B-E260090	Average Active Efficiency	87.28%
Input	100-240 V ~ 50/60 Hz 0.8 A Max	Efficiency at Low Load (10%)	79.74%
Output	26 V --- 0.9 A	No-Load Power Consumption	0.08 W

- The lithium-ion battery pack contains substances that are hazardous to the environment. Before disposing of the appliance, please first remove the battery pack, then discard, or recycle it in accordance with local laws and regulations of the country or region it is used in.
- The appliance must be disconnected from the power supply when removing the battery. Keep batteries out of the reach of children. Never put batteries in mouth. If swallowed, contact your physician or local poison control.
- Under abusive conditions, never contact the battery from which the liquid may be ejected. If contact accidentally occurs, rinse with water. If liquid contacts eyes, seek medical help immediately. Liquid ejected from the battery may cause irritation or burns.

WEEE Information



All products bearing this symbol are waste electrical and electronic equipment (WEEE as in directive 2012/19/EU) which should not be mixed with unsorted household waste. Instead, you should protect human health and the environment by handing over your waste equipment to a designated collection point for the recycling of waste electrical and electronic equipment, appointed by the government or local authorities. Correct disposal and recycling will help prevent potential negative consequences to the environment and human health. Please contact the installer or local authorities for more information about the location as well as terms and conditions of such collection points.

Sicherheitsinformationen

Wichtige Sicherheitshinweise Nur für den Hausgebrauch

- Bitte lesen Sie dieses Handbuch vor der Verwendung sorgfältig durch und bewahren Sie es zum späteren Nachschlagen auf.
- Bei der Verwendung eines elektrischen Geräts sollten immer grundlegende Vorsichtsmaßnahmen beachtet werden, einschließlich der folgenden:
- **LESEN SIE ALLE ANWEISUNGEN, BEVOR SIE DIESES GERÄT VERWENDEN.** Die Nichtbeachtung der Warnhinweise und Anweisungen kann zu einem elektrischen Schlag, Brand und/oder schweren Verletzungen führen.

WARNUNG- Um die Gefahr von Bränden, Stromschlägen oder Verletzungen zu verringern:

- Verwenden Sie das Gerät nur wie in dieser Bedienungsanleitung beschrieben. Verwenden Sie nur das vom Hersteller empfohlene Zubehör.
- Verwenden Sie das Gerät nur in Innenräumen, auf nicht mit Teppichboden versehenen Böden wie Vinyl, Fliesen, versiegeltem Holz usw. Achten Sie darauf, nicht über lose Gegenstände oder Kanten von Teppichen zu fahren. Ein Abwürgen der Bürste kann zu einem vorzeitigen Ausfall des Riemens führen.
- Um einen sicheren Betrieb zu gewährleisten und Risiken zu vermeiden, darf dieses Produkt nicht von Kindern unter 8 Jahren, von Personen mit körperlichen, sensorischen oder geistigen Einschränkungen oder von Personen mit mangelnden Kenntnissen ohne Aufsicht eines Elternteils oder Vormunds verwendet werden. Kinder dürfen die Reinigung und Wartung nicht ohne Aufsicht durchführen.
- Dieses Gerät ist nicht zur Verwendung durch Personen (einschließlich Kinder) mit eingeschränkten körperlichen, sensorischen oder geistigen Fähigkeiten oder mangelnder Erfahrung und Wissen konzipiert, sofern sie nicht von einer für ihre Sicherheit verantwortlichen Person beaufsichtigt oder in die Benutzung des Geräts eingewiesen worden sind.
- Verwenden Sie keine brennbare oder leicht entzündliche Flüssigkeit, um Böden zu reinigen.
- Dieses Gerät darf nicht verwendet, um brennbare oder leicht entzündliche Flüssigkeiten wie Benzin aufzunehmen. Dieses Gerät darf nicht in Bereichen verwendet werden, in denen brennbare oder leicht entzündliche Flüssigkeiten vorhanden sein können.
- Zum Aufladen der Batterie verwenden Sie nur den mitgelieferten abnehmbaren Adapter. Nur mit Adapter <YLS0251B-E260090> verwenden.
- Ein Adapter, der für eine Art von Akkupack geeignet ist, kann bei Verwendung mit einem anderen Akkupack zu Brandgefahr führen.
- Tauchen Sie das Gerät nicht in Flüssigkeit.
- Kunststoffolie kann gefährlich sein. Um die Gefahr des Erstickens zu vermeiden, halten Sie sie von Kindern fern.
- Halten Sie Haare, lose Kleidung, Finger und alle Körperteile von den Öffnungen und beweglichen Teilen des Geräts und seines Zubehörs fern.
- Verwenden Sie nur die Art und Menge der Flüssigkeiten, die im Abschnitt "Bedienung"

in dieser Anleitung angegeben sind. Die Flüssigkeit darf nicht auf Geräte mit elektrischen Bauteilen gerichtet werden.

- Setzen Sie kein Objekt in die Öffnungen. Verwenden Sie das Gerät nicht, wenn die Öffnung blockiert ist. Halten Sie sich frei von Staub, Fusseln, Haaren und allem, was den Luftstrom behindern kann.
- Verwenden Sie es nicht ohne eingesetzte Filter.
- Verwenden Sie das Gerät nicht mit einem beschädigten Adapter. Wenn der Adapter beschädigt ist, muss er durch den Hersteller, seinen Serviceagenten oder ähnliche qualifizierte Personen ersetzt werden, um Gefahren zu vermeiden.
- Nehmen Sie kein giftiges Material auf (Chlorbleiche, Ammoniak, Abflussreiniger usw.). Heben Sie keine harten oder scharfen Gegenstände wie Glas, Nägel, Schrauben, Münzen usw. auf.
- Verwenden Sie das Gerät nicht in einem geschlossenen Raum, der mit Dämpfen gefüllt ist, die von ölhaltigen Farben, Farbverdünnern, einigen Mottenschutzmitteln, brennbarem Staub oder anderen explosiven oder giftigen Dämpfen abgegeben werden. Nehmen Sie keine brennenden oder rauchenden Gegenstände auf, wie z. B. Zigaretten, Streichhölzer oder heiße Asche.
- Befolgen Sie alle Ladeanweisungen und laden Sie das Gerät nicht außerhalb des in der Batterie angegebenen Temperaturbereichs auf, da dies die Brandgefahr erhöht.
- Die Ausgangsklemmen der Ladestation dürfen nicht kurzgeschlossen werden. Verwenden Sie es nicht mit beschädigter Ladestation. Wenn das Gerät heruntergefallen ist, beschädigt wurde, im Freien gelassen wurde, ins Wasser gefallen ist oder nicht ordnungsgemäß funktioniert, bringen Sie es zu einem Service Center.
- Halten Sie das Adapterkabel von beheizten Oberflächen fern. Behandeln Sie den Adapterstecker oder das Gerät nicht mit nassen Händen. Um den Stecker zu entfernen, greifen Sie den Adapterstecker und nicht das Kabel.
- Adapter nicht per Kabel ziehen oder trage, stattdessen ihn als Griff verwenden, Tür am Kabel schließen oder Kabel um scharfe Kanten oder Ecken ziehen.
- Schalten Sie das Gerät aus, wenn Sie es nicht benutzen, bevor Sie es reinigen, pflegen oder warten, und bevor Sie das Werkzeug mit einer beweglichen Bürste anschließen oder trennen.
- Verwenden Sie kein Gerät, das beschädigt oder modifiziert ist. Beschädigte oder modifizierte Batterien können ein unvorhersehbares Verhalten zeigen, was zu Feuer, Explosion oder Verletzungsgefahr führen kann.
- Setzen Sie das Gerät keinem Feuer oder übermäßigen Temperaturen aus. Die Exposition gegenüber Feuer oder übermäßiger Temperatur kann eine Explosion verursachen.
- Stellen Sie sicher, dass das Gerät auf einer horizontalen Fläche steht. Verwenden Sie das Gerät nicht an der gleichen Stelle, wenn das Gerät mit einer Walzenbürste ausgestattet ist und der Griff nicht vollständig aufrecht steht. Lagern Sie das Gerät nicht an einem Ort, an dem es einfrieren kann.
- Gehen Sie bei der Reinigung auf Treppen besonders vorsichtig vor.
- Verhindern Sie ein unbeabsichtigtes Starten. Vergewissern Sie sich, dass der Schalter

Sicherheitsinformationen

in der AUS-Stellung ist, bevor Sie das Gerät in die Hand nehmen oder tragen. Das Tragen des Geräts mit dem Finger auf dem Schalter oder auf dem stromführenden Gerät, das den Schalter eingeschaltet hat, trägt zu Unfällen bei.

- Dieses Produkt enthält Batterien, die nur durch qualifizierte Techniker oder Kundendienst ersetzt werden können.

DIESE ANWEISUNGEN SICHERN WICHTIGE SCHUTZMASSNAHMEN

- Lassen Sie die Wartung von einer qualifizierten Reparaturkraft durchführen, die nur identische Ersatzteile verwendet. Dadurch wird sichergestellt, dass die Sicherheit des Produkts erhalten bleibt.
- Verändern Sie das Gerät nicht und versuchen Sie nicht, es zu reparieren, es sei denn, dies ist in der Gebrauchs- und Pflegeanleitung angegeben.
- Nicht in extrem heißen oder kalten Umgebungen verwenden (unter 0 /32° F oder über 40° C /104° F). Bitte laden Sie das Gerät bei Temperaturen über 0 /32° F und unter 40 /104° F) auf.
- Wenn das Gerät heruntergefallen ist, beschädigt wurde, im Freien abgestellt wurde, ins Wasser gefallen ist oder nicht ordnungsgemäß funktioniert, versuchen Sie niemals, es zu bedienen. Bitte lassen Sie es von einem autorisierten Servicecenter reparieren.

 abnehmbare Versorgungseinheit



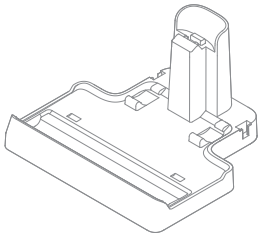
Bedienungsanleitung lesen

Wir, Dreame Trading (Tianjin) Co., Ltd., bestätigen hiermit, dass dieses Gerät mit dengeltenden Verordnungen und europäischen Normen sowie etwaigen Ergänzungen in Einklang steht. Der vollständige Wortlaut der EU-Konformitätserklärung ist unter der folgenden Internetadresse abrufbar: <https://global.dreametech.com>

Ein detailliertes elektronisches Handbuch finden Sie unter <https://global.dreametech.com/pages/user-manuals-and-faqs>

Produktübersicht

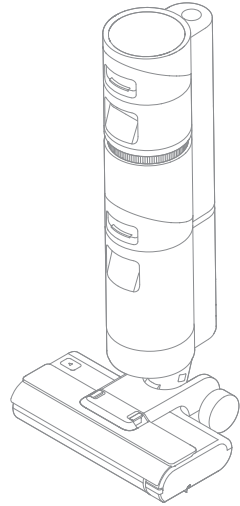
Packliste



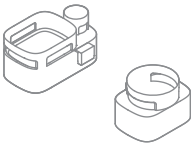
Ladestation



Handgriff



Hauptkörper



Zubehörhalter



Reinigungsbürste



Netzadapter



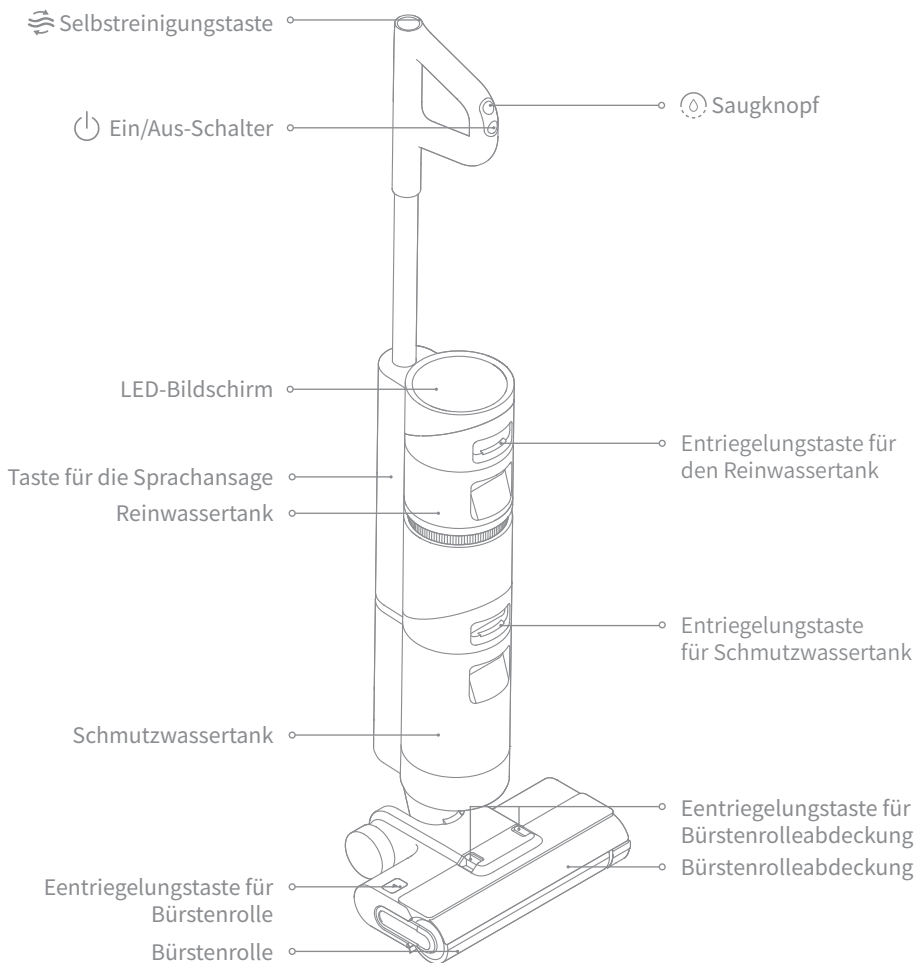
Ersatzwalzenbürste



Ersatzfilter

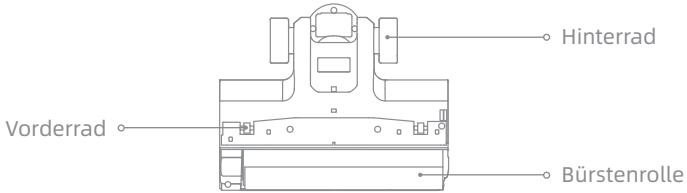
DE Produktübersicht

Nass- & Trockensauger

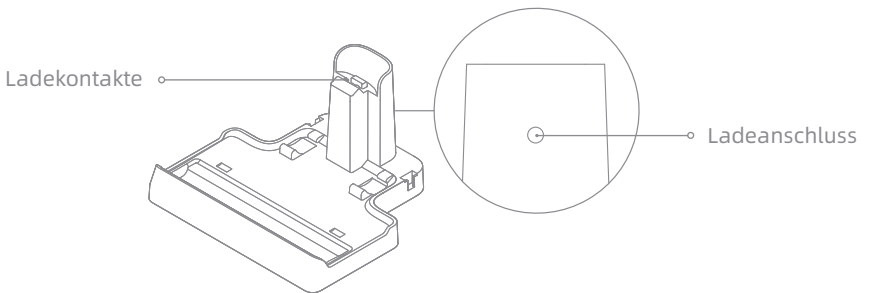


Produktübersicht

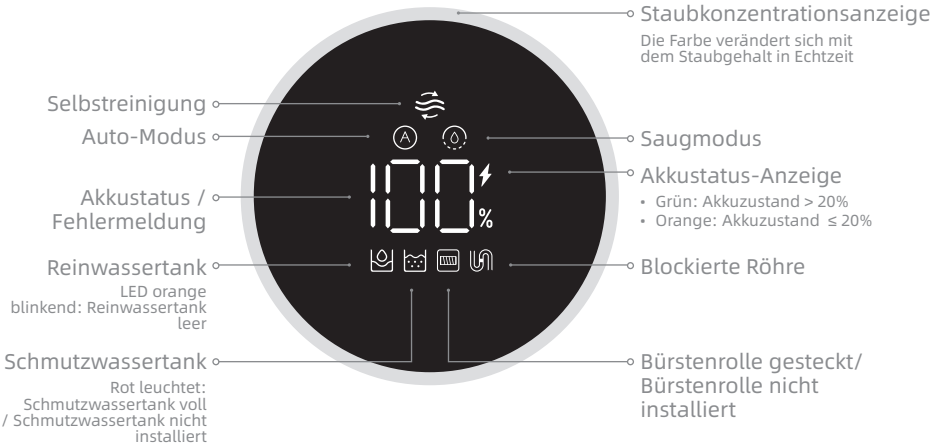
Bürstenanordnung



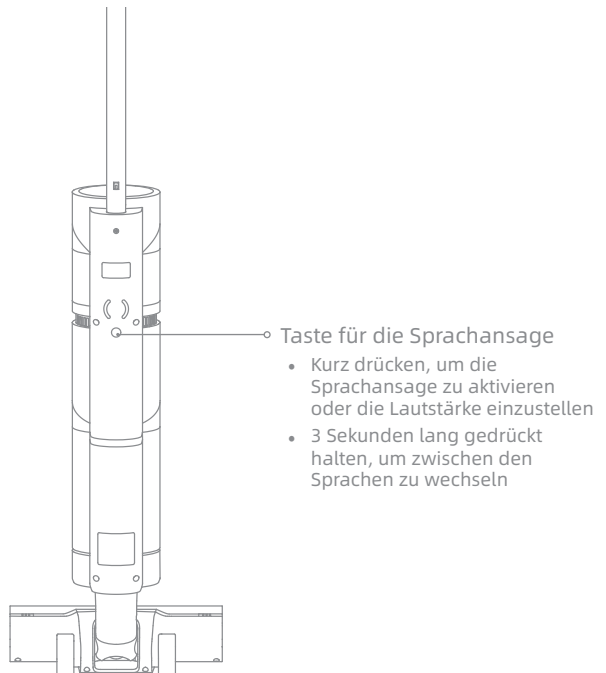
Ladestation



Bildschirm



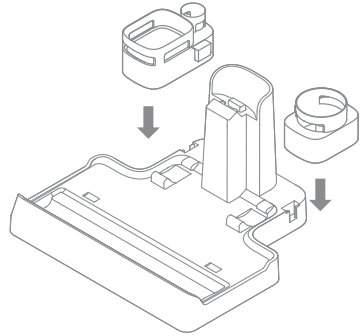
Taste für die Sprachansage



Installation

Installation des Zubehörhalters

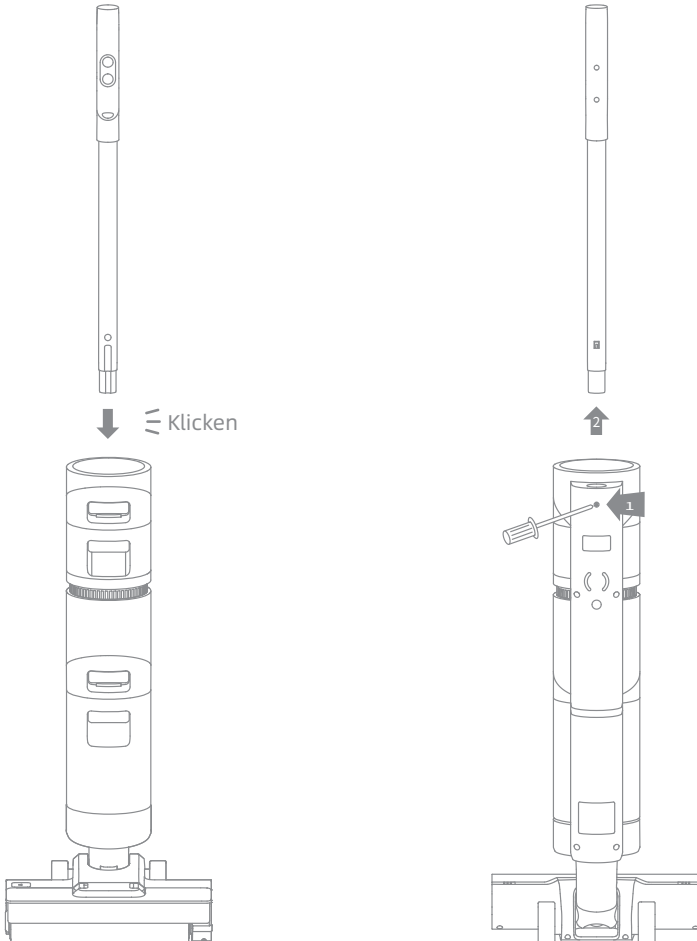
Installieren Sie den Zubehörhalter wie angegeben in der Ladestation.



Gerät-Installationsdiagramm

Fügen Sie das Ende der Griffbaugruppe senkrecht in die Öffnung auf der Oberseite des Geräts ein, wie angegeben, Sie werden ein Einrasten spüren.

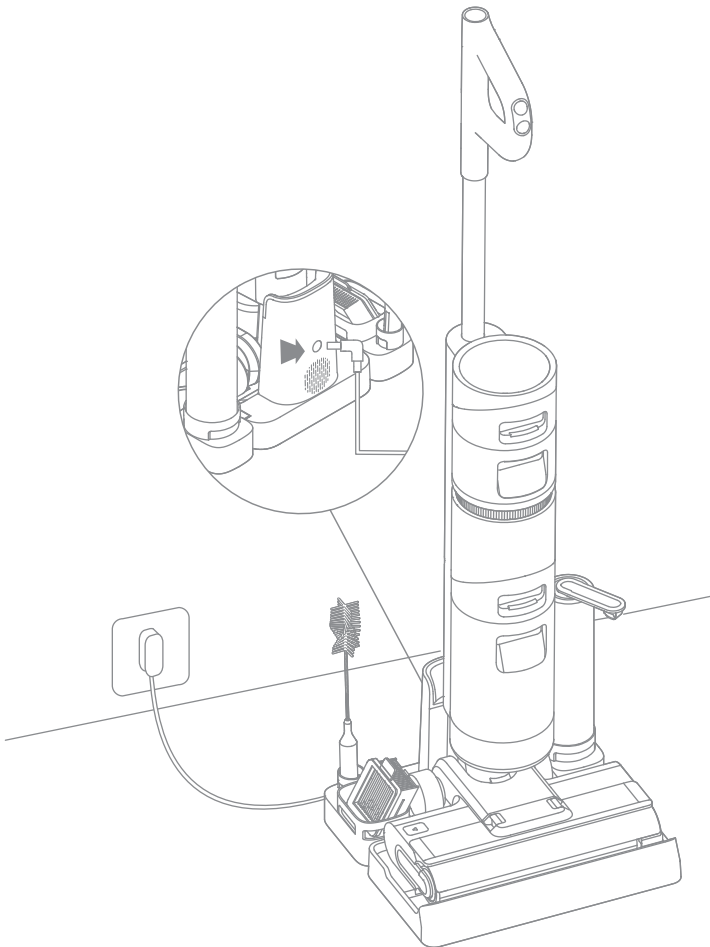
Hinweis: Um den Griff zu demontieren, verwenden Sie bitte einen harten Gegenstand, um in das Loch auf der Rückseite des Geräts zu greifen, um den Kontakt zu drücken, und ziehen Sie gleichzeitig den Griff nach oben.



Laden

Hinweis: Laden Sie das Gerät vor dem ersten Gebrauch vollständig auf.

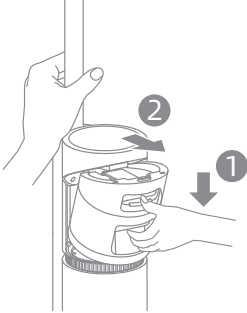
1. Stellen Sie die Ladestation auf dem ebenen Boden an eine Wand. Schließen Sie ein Ende des Netzadapters an die Ladestation und ein anderes Ende an eine Steckdose an.
2. Legen Sie den Nass- & Trockensauger auf die Ladestation. Die ⚡ auf dem Bildschirm leuchtet und zeigt den Ladestatus. Die Zahl auf dem Bildschirm stellt den aktuellen Batteriestand als Prozentsatz während des Ladevorgangs dar. Wenn die Zahl bei 100 ist, ist die Batterie vollständig aufgeladen und schaltet ⚡ sich aus. Wenn innerhalb von 10 Sekunden kein Vorgang ausgeführt wird, schaltet sich der Bildschirm automatisch aus.



Hinweis: Wenn nach dem vollständigen Aufladen 15 Minuten lang kein Betrieb erfolgt, beginnt das Gerät zu schlafen.

Befüllen den Reinwassertank

1. Drücken Sie die Auslösetaste des Reinwassertanks und ziehen Sie den Behälter nach außen, um ihn zu entfernen.



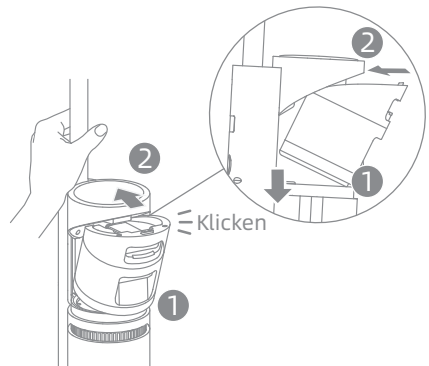
2. Öffnen Sie den Tankdeckel und füllen Sie ausreichend sauberes Wasser in den Reinwassertank.



3. Schließen Sie die Tankabdeckung fest.




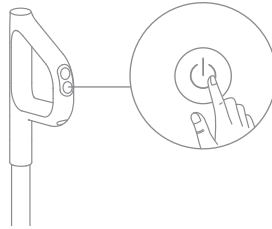
4. Installieren Sie den Reinwassertank und stellen Sie sicher, dass er einrastet.



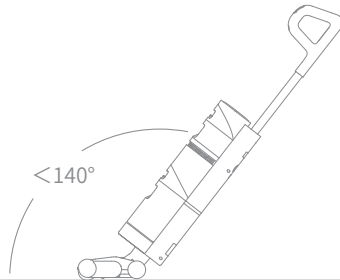
Verwendung

Die Reinigung beginnen

Drücken Sie kurz die Taste  zum Einschalten, und das Vakuum beginnt mit der Reinigung. Der Nass- & Trockensauger wird mit einem aufrechten/ liegenden Schalter geliefert. Bitte treten Sie vorsichtig auf den Bürstendeckel und lehnen Sie den Nass- & Trockensauger zurück, um mit dem Betrieb zu beginnen. Wenn sich der Nass- & Trockensauger während der Arbeit in aufrechter Position befindet, wird die aktuelle Aufgabe ausgesetzt.



Hinweis: Enn das Gerät arbeitet, heben Sie es nicht auf und ab oder bewegen Sie es, und kippen Sie das Gerät nicht zur Seite oder legen Sie es flach hin, um zu verhindern, dass das Schmutzwasser zurück in das Gerät gelangt.



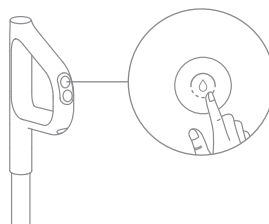
Neigen Sie das Gerät nicht mehr als 140° zum Schutz vor Wasseraustritt. Verwenden Sie es nicht, um schäumende Flüssigkeiten zu saugen.

Auto-Modus / Saugmodus

Der Staubsauger wird standardmäßig im Auto-Modus eingeschaltet, Sie können je nach Bedarf in den Saugmodus wechseln.

Auto-Modus: Der Staubsauger passt die Saugleistung entsprechend den Flecken auf dem Boden an.

Saugmodus: Der Staubsauger kann die Wasserflecken auf dem Boden saugen.



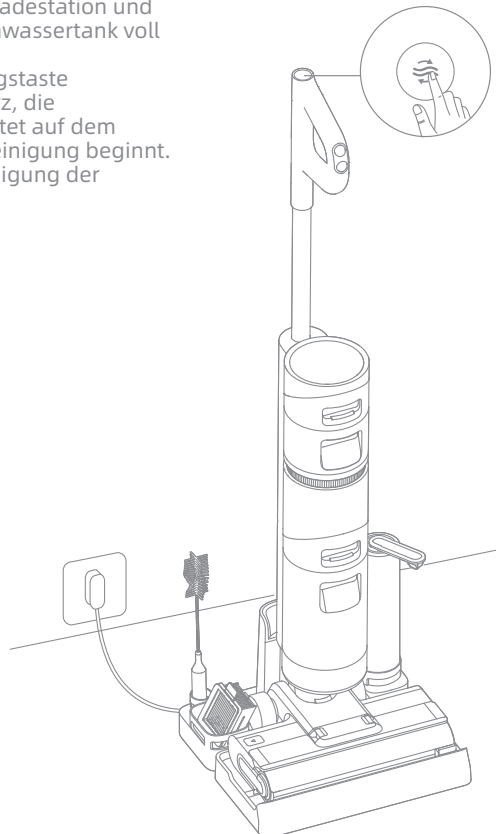
Tipps:

1. Schalten Sie den Nass- & Trockensauger vor der Pflege und Wartung aus.
2. Teile müssen bei Bedarf ausgetauscht werden, bitte verwenden Sie die vom Originalwerk vorgesehenen Teile, um Schäden am Produkt aufgrund von Ungeeignetheit zu vermeiden.
3. Wenn das Gerät für einen längeren Zeitraum nicht verwendet wird, laden Sie es vollständig auf, stecken Sie das Ladegerät aus und lagern Sie es in einer kühlen, feuchtigkeitsarmen Umgebung ohne direkte Sonneneinstrahlung. Um eine Überentladung des Akkus zu vermeiden, laden Sie das Gerät mindestens einmal alle 3 Monate auf.

One-Touch Selbstreinigung

* Die Selbstreinigungsfunktion kann nur aktiviert werden, wenn das Gerät geladen ist und der Akkustand mehr als 15% beträgt.

1. Stellen Sie das Gerät nach den vorgesehenen Reinigungen aufrecht auf die Ladestation und stellen Sie sicher, dass der Reinwassertank voll ist.
2. Drücken Sie die Selbstreinigungstaste auf der Oberseite des Griffs kurz, die Selbstreinigungsanzeige leuchtet auf dem Bildschirm auf und die Selbstreinigung beginnt.
3. Das Gerät lädt sich nach Beendigung der Selbstreinigung weiter auf.

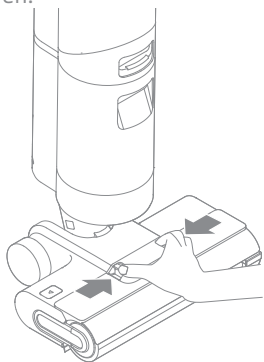


Hinweis: Reinigen Sie nach Abschluss der Selbstreinigung den Schmutzwassertank umgehend. Wenn einige Flecken auf der Ladestation verbleiben, reinigen Sie die Basis.

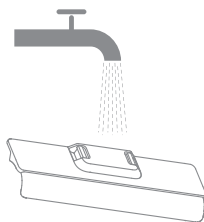
Reinigung der Bürstenrolleabdeckung

* Nach Bedarf reinigen.

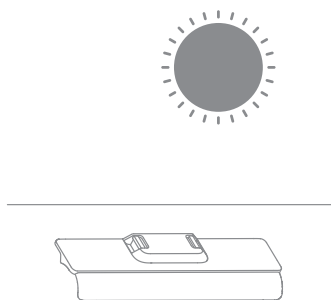
1. Drücken Sie Eentriegelungstaste für Bürstenrolleabdeckung an beiden Seiten nach innen, um die Abdeckung zu entfernen.



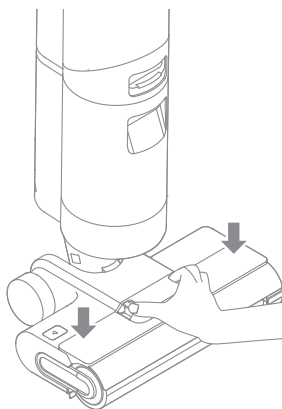
2. Spülen Sie die Walzenbürstenabdeckung mit sauberem Wasser ab oder wischen Sie sie mit einem sauberen Tuch ab.



3. Die Abdeckung muss gründlich vor dem Gebrauch abgetrocknet.



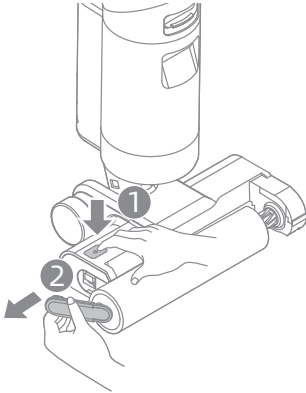
4. Bringen Sie die Abdeckung wieder ein.



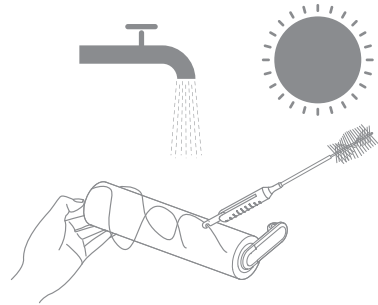
Reinigung der Bürstenrolle

* Nach Bedarf reinigen, daher wird empfohlen, es alle 3 bis 6 Monate zu auszutauschen.

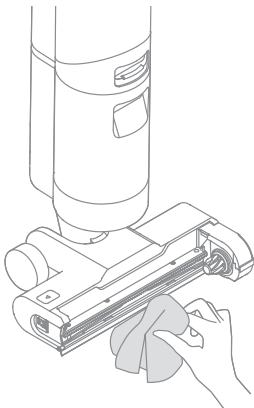
1. Drücken Sie die Entriegelungstaste für Bürstenrolle, und der Griff für die Bürstenrolle springt heraus. Ziehen Sie ihn, um die Bürstenrolle herauszunehmen.



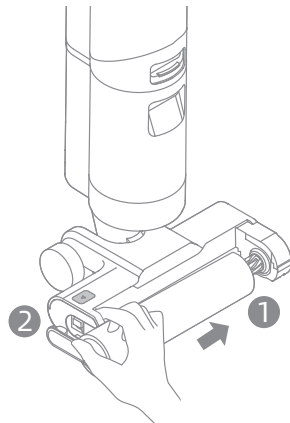
2. Alle Haare und Rückstände mit der mitgelieferten Reinigungsbürste auf der Bürstenrolle entfernen. Spülen Sie die Bürstenrolle mit sauberem Wasser ab und trocknen Sie sie vollständig ab.



3. Wischen Sie den Staub mit einem trockenen Tuch oder Papiertuch vom Staubeintritt ab. Spülen Sie ihn niemals mit Wasser ab.



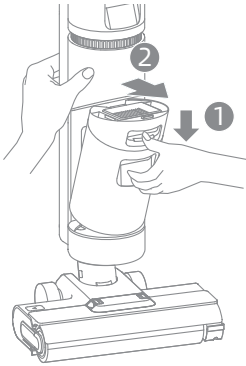
4. Nach der Reinigung der Bürstenrolle richten und schieben Sie das rechte Ende in den rechten Schlitz des Bürstenhalters und drücken Sie den Griff für die Bürstenrolle in den linken Schlitz des Bürstenhalters.



Schmutzwassertank reinigen

* Es wird empfohlen, den Schmutzwassertank nach jedem Gebrauch und vor und nach dem Aktivieren der Selbstreinigungsfunktion zu reinigen.

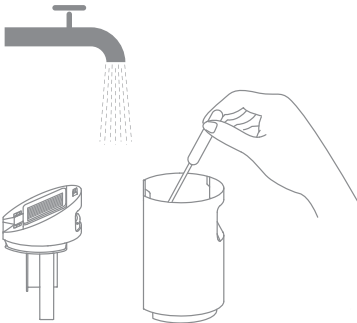
1. Drücken Sie die Entriegelungstaste für Schmutzwassertank und ziehen Sie den Schmutzwassertank nach außen, um ihn herauszunehmen.



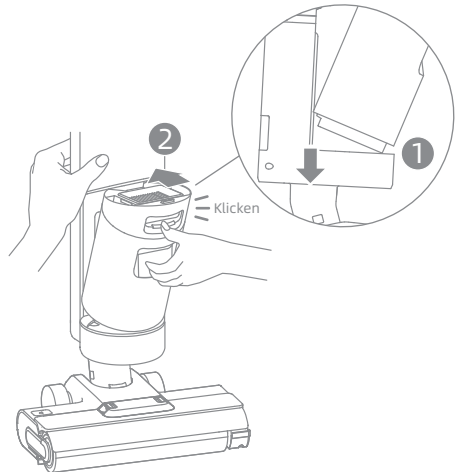
2. Den Schmutzwassertank halten, die Abdeckung entfernen und das Schmutzwasser ausgießen.



3. Den Schmutzwassertank und dessen Abdeckung mit sauberem Wasser abspülen. Innenwand des Tanks mit der mitgelieferten Reinigungsbürste reinigen.



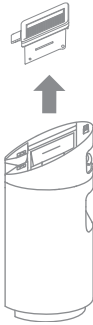
4. Setzen Sie nach der Reinigung den die Tankabdeckung wieder auf den Tank und schließen Sie die Tankabdeckung. Rasten Sie die Unterseite des Tanks in die Stützposition des Geräts ein und drücken Sie den Tank dann vorsichtig, bis Sie ein Klicken hören, das anzeigt, dass er an seinem Platz ist.



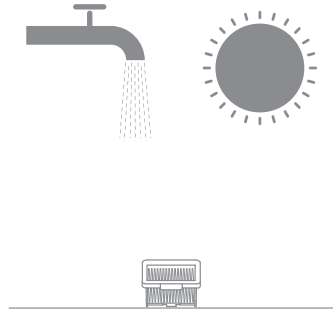
Den Filter reinigen

* Ersetzen Sie es alle 3 bis 6 Monate.

1. Nehmen Sie den Filter von der Oberseite des Schmutzwassertanks heraus.

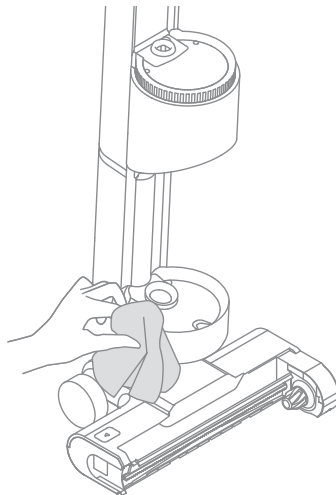


2. Wenn der Filter verschmutzt ist, spülen Sie ihn mit sauberem Wasser ab und trocknen ihn vor Gebrauch vollständig ab.



Das Rohr reinigen

Nehmen Sie den Schmutzwassertank heraus und wischen Sie die Innerwand des Tanks mit einem feuchten Tuch ab, um den Schmutz vor dem Gebrauch zu reinigen.



Häufig gestellte Fragen





Fehler	Mögliche Ursache	Lösung
Das Gerät arbeitet nicht.	Der Griff ist nicht installiert.	Installieren Sie den Handgriff erneut.
	Der Akku des Gerätes ist leer oder der Batteriestand ist niedrig.	Laden Sie den Akku vor dem Gebrauch vollständig auf.
	Das Gerät steht aufrecht.	Lehnen Sie das Gerät zurück.
	Die Bürstenrolle ist nicht installiert oder die Bürstenrolle kann wegen der Verwicklung der nicht gedreht werden..	Die Bürstenrolle erneut installieren oder reinigen.
	Der Schmutzwassertank ist nicht installiert.	Den Schmutzwassertank erneut installieren.
	Der Schmutzwassertank ist voll.	Den Schmutzwassertank leeren.
Schwache Saugkraft.	Der Filter ist verstopft.	Den Filter reinigen.
	Die Bürstenrolleabdeckung, der Filter oder der Reinwassertank werden nicht richtig installiert.	Die richtige Installation der Bürstenrolle, des Filters und des Reinwassertanks vor Gebrauch bestätigen.
	Die Bürstenrolle ist mit Haaren verwickelt.	Lesen Sie dazu das Merkblatt zur Wartung [Reinigung der Bürstenrolle].
	Einige Fremdkörper befinden sich im Rohr oder das Rohr ist blockiert.	Das Rohr reinigen.
Der Motor macht ein seltsames Geräusch.	Zu viel Schmutzwasser im Schmutzwassertank.	Leeren Sie den Schmutzwassertank.
	Die Hauptaugöffnung ist blockiert.	Beseitigen Sie eventuelle Verstopfungen in der Hauptaugöffnung.
Die Akkustatusanzeige leuchtet während des Ladevorgangs nicht.	Der Adapter ist nicht in die Steckdose eingesteckt.	Stellen Sie sicher, dass der Netzadapter richtig eingesteckt ist.
	Der Netzadapter ist nicht richtig an die Ladestation angeschlossen.	Stellen Sie sicher, dass sie richtig angeschlossen sind.

Häufig gestellte Fragen

Fehler	Mögliche Ursache	Lösung
Die Akkustatusanzeige leuchtet während des Ladevorgangs nicht.	Die Ladestation ist nicht mit dem Gerät verbunden.	Stellen Sie sicher, dass das Gerät an der richtigen Stelle ist.
Es kommt kein Wasserfluss aus dem Gerät.	Der Reinwassertank ist nicht an seinem Platz installiert oder der Reinwassertank ist leer.	Bauen Sie den Reinwassertank wieder ein oder füllen Sie ihn.
Wasseraustritt an der Oberseite des Schmutzwassertanks.	Eine Kollision oder starkes Ziehen führt dazu, dass Wasser in den Motor gelangt.	Bewegen Sie das Gerät vorsichtig hin und her, wenn es eingeschaltet ist.
	Der Filter ist nach der Reinigung nicht vollständig trocken.	Den Filter vor Gebrauch gründlich abtrocknen.
Selbstreinigung ist fehlgeschlagen.	Ein Gegenstand verklemmt sich in der Bürstenrolle.	Öffnen Sie die Bürstenrolleabdeckung, um die Bürstenrolle zu überprüfen und zu reinigen.
	Das Gerät lädt nicht.	Stellen Sie sicher, dass das Gerät geladen ist, bevor Sie die Selbstreinigungsfunktion aktivieren.
	Die Selbstreinigung kann nicht gestartet werden, wenn der Batteriestand weniger als 15% beträgt.	Die Selbstreinigungsfunktion kann nur aktiviert werden, wenn das Gerät geladen ist und der Akkustand mehr als 15% beträgt.
	Der Schmutzwassertank ist nicht installiert oder der Schmutzwassertank ist voll.	Installieren oder leeren Sie den Schmutzwassertank.
	Der Reinwassertank ist nicht an seinem Platz installiert oder der Reinwassertank ist leer.	Bauen Sie den Reinwassertank wieder ein oder füllen Sie ihn.

DE Fehleralarm

Wenn irgendein Fehler bei der Verwendung des Produkts auftritt, wird der Bildschirm eine Fehlermeldung ausgeben. Sie sollten den Anweisungen auf dem Bildschirm folgen, um die normale Leistung sicherzustellen.

Fehler-Symbol	Mögliche Ursache	Lösungen
	Zu wenig Wasser im Reinwassertank	Füllen Sie den Reinwassertank.
	Der Schmutzwassertank nicht installiert	Installieren Sie den Schmutzwassertank.
	Der Schmutzwassertank ist voll.	Leeren Sie den Schmutzwassertank.
	Die Bürstenrolle gesteckt	Reinigen Sie die Bürstenrolle mit der mitgelieferten Reinigungsbürste.
	Die Bürstenrolle nicht installiert	Installieren Sie die Bürstenrolle.
	Blockierte Röhre	Bitte überprüfen Sie, ob der Filter verstopft ist.
		Orientieren Sie sich an das Wartungshandbuch bei der Reinigung des Rohrs.

Fehlercode	Mögliche Ursache	Lösungen
E1/EE/EF	Motorfehler	Bitte kontaktieren Sie den Kundenservice.
E2/E3/E7/E8/E9	Batteriesusfall	Bitte kontaktieren Sie den Kundenservice.
E4/E5	Netzadapter inkompatibel	Bitte verwenden Sie den Original-Netzadapter, oder wenden Sie sich an den Kundendienst.
E6	Überhitzung von Batterie	Warten Sie, bis die Batterietemperatur wieder normal ist.

Nass-Trockensauger			
Modell	HHR14B	Ladezeit	Ca. 5 Stunden
Nennspannung	21,6 V ---	Ladespannung	26 V ---
Nennleistung	200 W	Nennleistung	3650 mAh
Nominale Kapazität	4000 mAh	Kapazität des Schmutzwassertankes	500 mL
Reinwasser-Kapazität	900 mL		
Netzadapter			
Modell	YLS0251B-E260090	Durchschnittliche Aktive Effizienz	87,28%
Eingabe	100-240 V ~ 50/60 Hz 0,8 A Max	Effizienz bei Geringer Belastung (10%)	79,74%
Ausgabe	26 V --- 0,9 A	Lastloser Stromverbrauch	0,08 W

- Der Lithium-On-Akku enthält umweltgefährdende Substanzen. Bevor Sie das Gerät entsorgen, entfernen Sie bitte zuerst den Batteriesatz, dann werfen Sie ihn oder recyceln Sie ihn gemäß den lokalen Gesetzen und Vorschriften des Landes oder der Region, in dem er verwendet wird.
- Das Gerät muss beim Entfernen der Batterie vom Netzteil getrennt werden. Wahren Sie die Batterien außerhalb der Reichweite von Kindern auf. Legen Sie niemals Batterien in den Mund. Wenn Sie verschluckt werden, wenden Sie sich an Ihren Arzt oder die örtliche Giftkontrolle.
- Kommen Sie unter missbräuchlichen Bedingungen niemals die Batterie in Berührung, aus der die Flüssigkeit ausgeworfen wird. Wenn die Berührung versehentlich auftritt, spülen Sie mit Wasser ab. Wenn die Flüssigkeit mit den Augen in Berührung kommt, suchen Sie sofort ärztliche Hilfe auf. Die aus der Batterie ausgestoßene Flüssigkeit kann Reizungen oder Verbrennungen verursachen.

WEEE-Informationen



Alle mit diesem Symbol gekennzeichneten Produkte sind Elektroschrott und Elektrogeräte (WEEE entsprechend EU-Richtlinie 2012/19/EU) und dürfen nicht mit unsortiertem Haushaltsmüll vermischt werden. Schützen Sie stattdessen Ihre Mitmenschen und die Umwelt, indem Sie Ihre zu entsorgenden Geräte an eine dafür vorgesehene, von der Regierung oder einer lokalen Behörde eingerichtete Sammelstelle zum Recycling von Elektroschrott und Elektrogeräten bringen. Eine ordnungsgemäße Entsorgung und Recycling helfen, negative Auswirkungen auf die Gesundheit von Umwelt und Menschen zu vermeiden. Wenden Sie sich bitte an den Installateur oder lokale Behörden, um Informationen zum Standort und den allgemeinen Geschäftsbedingungen solcher Sammelstellen zu erhalten.

Entsorgung von Elektro- und Elektronikgeräten



Die durchgestrichene Mülltonne bedeutet, dass Sie gesetzlich verpflichtet sind, diese Geräte einer vom unsortierten Siedlungsabfall getrennten Erfassung zuzuführen. Die Entsorgung über die Restmülltonne oder die gelbe Tonne ist untersagt. Enthalten die Produkte Batterien oder Akkus, die nicht fest verbaut sind, müssen diese vor der Entsorgung entnommen und getrennt als Batterie entsorgt werden.

Möglichkeiten der Rückgabe von Altgeräten

Besitzer von Altgeräten können diese im Rahmen der durch öffentlich-rechtlichen Entsorgungsträger eingerichteten und zur Verfügung stehenden Möglichkeiten der Rückgabe oder Sammlung von Altgeräten abgeben, damit eine ordnungsgemäße Entsorgung der Altgeräte sichergestellt ist. Unter dem folgenden Link besteht die Möglichkeit, sich ein Onlineverzeichnis der Sammel- und Rücknahmestellen anzuzeigen zu lassen: <https://www.ear-system.de/ear-verzeichnis/sammel-und-ruecknahmestellen>.

Datenschutz

Wir weisen alle Endnutzer von Elektro- und Elektronikaltgeräten darauf hin, dass Sie für das Löschen personenbezogener Daten auf den zu entsorgenden Altgeräten selbst verantwortlich sind.

Consignes de sécurité importantes Pour usage domestique seulement

- Veuillez lire attentivement ce manuel avant l'utilisation et le conserver pour référence ultérieure.
- Lors de l'utilisation d'un appareil électrique, des précautions de base doivent toujours être prises, notamment les suivantes :
- LIRE TOUTES LES INSTRUCTIONS AVANT D'UTILISER (CET APPAREIL). Le non-respect des avertissements et des instructions peut entraîner un choc électrique, un incendie et/ou des blessures graves.

AVERTISSEMENT- Pour réduire les risques d'incendie, de choc électrique ou de blessure :

- N'utilisez que ce qui est décrit dans ce guide de l'utilisateur. N'utilisez que les accessoires recommandés par le fabricant.
- N'utilisez l'appareil qu'à l'intérieur, sur des surfaces de sol non recouvertes de tapis, comme le vinyle, le carrelage, le bois scellé, etc. Veillez à ne pas rouler sur des objets non fixés ou sur les bords d'un tapis. Le fait de faire caler la brosse peut entraîner une défaillance prématurée de la courroie.
- Cet appareil peut être utilisé par des enfants à partir de 8 ans et par des personnes ayant des capacités physiques, sensorielles ou mentales réduites ou un manque d'expérience et de connaissances à condition qu'elles aient été placées sous surveillance ou qu'elles aient reçu des instructions concernant l'utilisation de l'appareil en toute sécurité et qu'elles comprennent les dangers encourus.
- Cet appareil ne doit pas être utilisé par des personnes (y compris des enfants) présentant des déficiences physiques, sensorielles ou intellectuelles, ou ayant une expérience ou des connaissances limitées, sans la surveillance d'un parent ou d'un tuteur afin de garantir une utilisation sûre et d'éviter tout risque.
- N'utilisez pas de liquide inflammable ou combustible pour nettoyer les sols.
- Évitez d'utiliser cet appareil pour ramasser des liquides inflammables ou combustibles, comme l'essence. Évitez d'utiliser cet appareil dans des endroits où des liquides inflammables ou combustibles peuvent être présents.
- Pour recharger la batterie, utilisez uniquement l'adaptateur détachable fourni avec cet appareil. A utiliser uniquement avec l'adaptateur <YLS0251B-E260090>.
- Un adaptateur adapté à un type de batterie peut créer un risque d'incendie lorsqu'il est utilisé avec un autre type de batterie..
- Ne plongez pas l'appareil dans un liquide.
- Le film plastique peut être dangereux. Pour éviter tout risque de suffocation, tenez-le à l'écart des enfants.
- Tenez les cheveux, les vêtements amples, les doigts et toutes les parties du corps éloignés des ouvertures et des parties mobiles de l'appareil et de ses accessoires.
- N'utilisez que le type et la quantité de liquides spécifiés dans la section "Opérations" de ce guide. Le liquide ne doit pas être dirigé vers des équipements contenant des composants électriques.
- Ne placez aucun objet dans les ouvertures. N'utilisez pas l'appareil si l'une de ses

Information sur la sécurité

ouvertures est obstruée ; veillez à ce qu'elle soit exempte de poussière, de peluches, de cheveux et de tout ce qui pourrait empêcher la circulation de l'air.

- Ne l'utilisez pas si les filtres ne sont pas en place.
- N'utilisez pas l'appareil avec un adaptateur endommagé. Si l'adaptateur est endommagé, il doit être remplacé par le fabricant, son agent de service ou des personnes qualifiées similaires afin d'éviter tout danger.
- Ne ramassez pas de produits toxiques (eau de javel, ammoniacale, nettoyant pour canalisations, etc.) Ne pas ramasser d'objets durs ou pointus tels que du verre, des clous, des vis, des pièces de monnaie, etc.
- N'utilisez pas l'appareil dans un espace clos rempli de vapeurs de peinture à l'huile, de diluant pour peinture, de certaines substances antimites, de poussières inflammables ou d'autres vapeurs explosives ou toxiques. Ne ramassez rien qui brûle ou qui fume, comme des cigarettes, des allumettes ou des cendres chaudes.
- Suivez toutes les instructions de chargement et ne chargez pas l'appareil en dehors de la plage de température spécifiée dans la batterie, car cela augmente le risque d'incendie.
- Les bornes de sortie de la base du chargeur ne doivent pas être court-circuitées. N'utilisez pas l'appareil avec un socle de chargeur endommagé. Si l'appareil est tombé, a été endommagé, a été laissé à l'extérieur, est tombé dans l'eau, ou ne fonctionne pas comme il le devrait, retournez-le à un centre de service.
- Maintenez le câble de l'adaptateur à l'écart des surfaces chauffées. Ne manipulez pas la fiche de l'adaptateur ou l'appareil avec des mains mouillées. Pour débrancher l'appareil, saisissez la fiche de l'adaptateur plutôt que le câble.
- Ne tirez pas ou ne transportez pas l'adaptateur par le câble, ne vous servez pas du câble comme d'une poignée, ne fermez pas la porte sur le câble et ne tirez pas le câble autour de bords ou de coins aigus.
- Éteignez l'appareil lorsqu'il n'est pas utilisé, avant de le nettoyer, de l'entretenir ou de le réparer, et avant de brancher ou de débrancher l'outil avec une brosse mobile.
- N'utilisez pas d'appareil endommagé ou modifié. Les piles endommagées ou modifiées peuvent avoir un comportement imprévisible et provoquer un incendie, une explosion ou un risque de blessure.
- N'exposez pas l'appareil au feu ou à une température excessive. L'exposition au feu ou à une température excessive peut provoquer une explosion.
- Assurez-vous que l'appareil est placé sur une surface horizontale. N'utilisez pas l'appareil dans la même position si l'appareil est équipé d'une brosse à rouleau et que la poignée n'est pas complètement verticale. Ne stockez pas l'appareil dans un endroit où il pourrait geler.
- Faites très attention lorsque vous nettoyez les escaliers.
- Empêchez tout démarrage involontaire. Assurez-vous que l'interrupteur est en position OFF avant de prendre ou de transporter l'appareil. Porter l'appareil avec votre doigt sur l'interrupteur ou sur un appareil sous tension dont l'interrupteur est allumé peut provoquer des accidents.
- Ce produit contient des batteries qui ne peuvent être remplacées que par des techniciens qualifiés ou par le service après-vente.

Information sur la sécurité

CONSERVEZ CES INSTRUCTIONS GARANTIES IMPORTANTES

- Faites effectuer l'entretien par un réparateur qualifié utilisant uniquement des pièces de rechange identiques. Cela garantira que la sécurité du produit est maintenue.
- Ne modifiez pas ou n'essayez pas de réparer l'appareil sauf comme indiqué dans les instructions d'utilisation et d'entretien.
- Ne pas utiliser dans des environnements extrêmement chauds ou froids (en dessous de 0°C / 32° F ou au-dessus de 40° C / 104° F). Veuillez charger l'appareil dans une température supérieure à 0°C / 32° F et inférieure à 40°C / 104° F).
- Si l'appareil est tombé, est endommagé, laissé à l'extérieur, est tombé dans l'eau ou ne fonctionne pas comme il se doit, n'essayez jamais de le faire fonctionner. Veuillez le faire réparer dans un centre de service autorisé.

 unité d'alimentation amovible



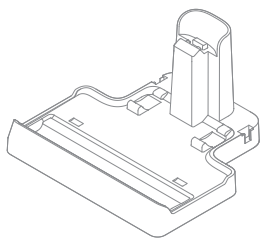
lire le manuel de l'opérateur

Par la présente, Dreame Trading (Tianjin) Co., Ltd., déclare que cet équipement est conforme aux directives et normes européennes applicables, ainsi qu'à leurs amendements. L'intégralité de la déclaration de conformité pour l'UE est disponible à l'adresse suivante: <https://global.dreametech.com>

Pour obtenir un manuel électronique détaillé, rendez-vous sur le site <https://global.dreametech.com/pages/user-manuals-and-faqs>

FR Présentation du Produit

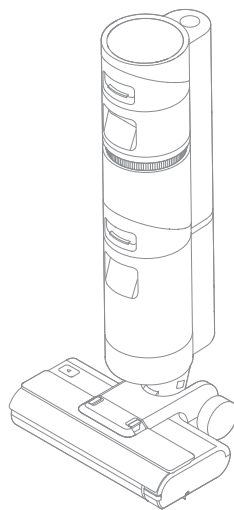
Liste d'emballage



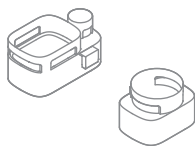
Station de chargement



Poignée



Corps Principal



Porte-accessoires



Brosse de nettoyage



Adaptateur électrique



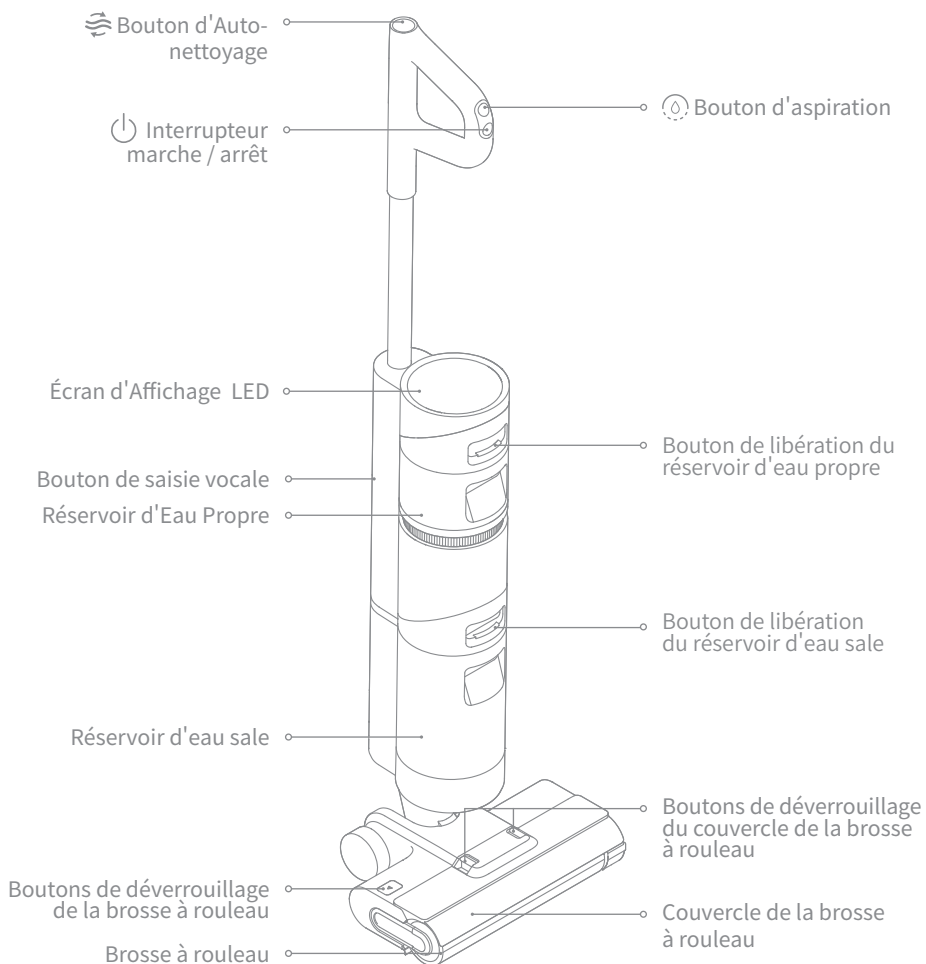
Brosse à rouleau de rechange



Filtre de rechange

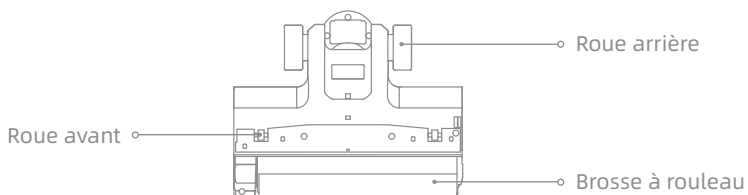
Présentation du Produit

Aspirateur

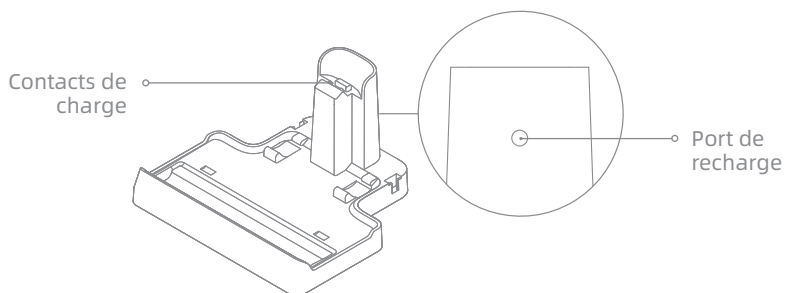


FR Présentation du Produit

Assemblage de la brosse

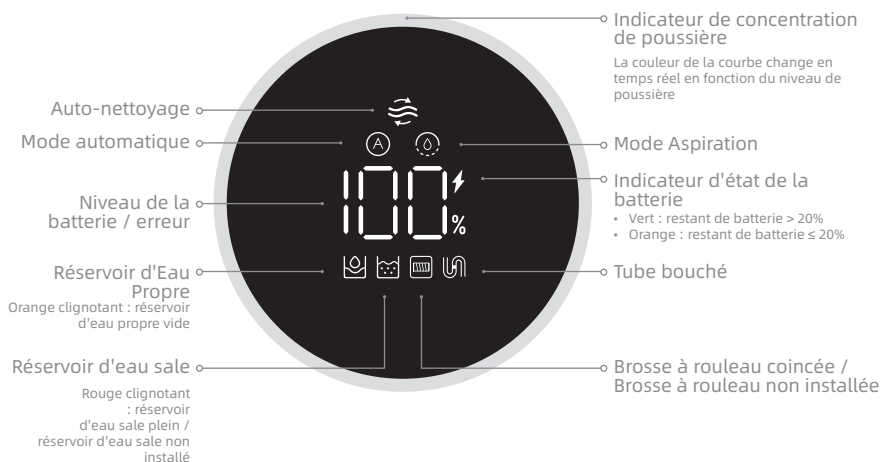


Station de chargement

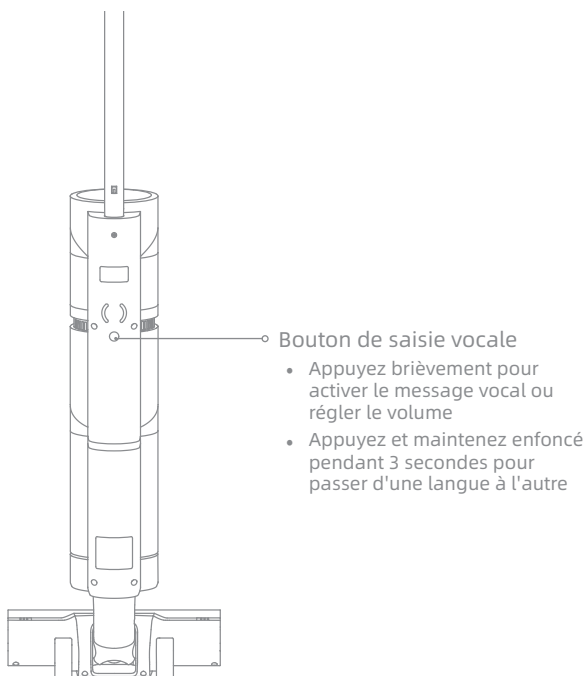


Présentation du Produit

Écran d'Affichage



Bouton de saisie vocale



Installation

Installation du port-accessoires

Installez le porte-accessoires dans la station de chargement comme indiqué.

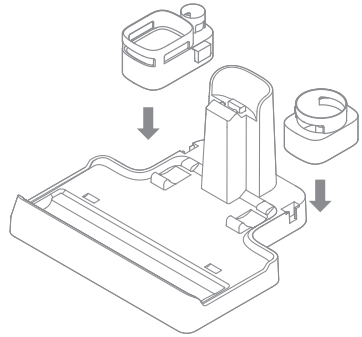
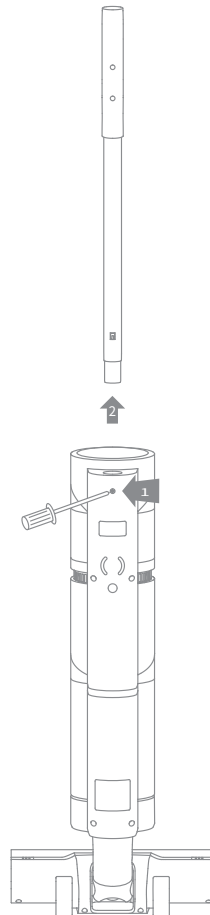
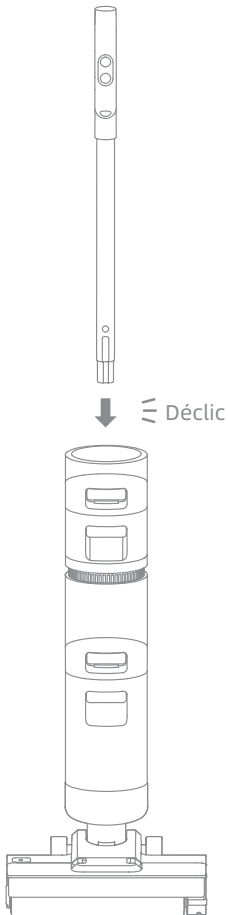


Schéma d'Installation de l'Aspirateur

Insérez l'extrémité de la poignée verticalement dans le port sur le dessus de l'aspirateur comme indiqué, vous le sentirez cliquer en place.

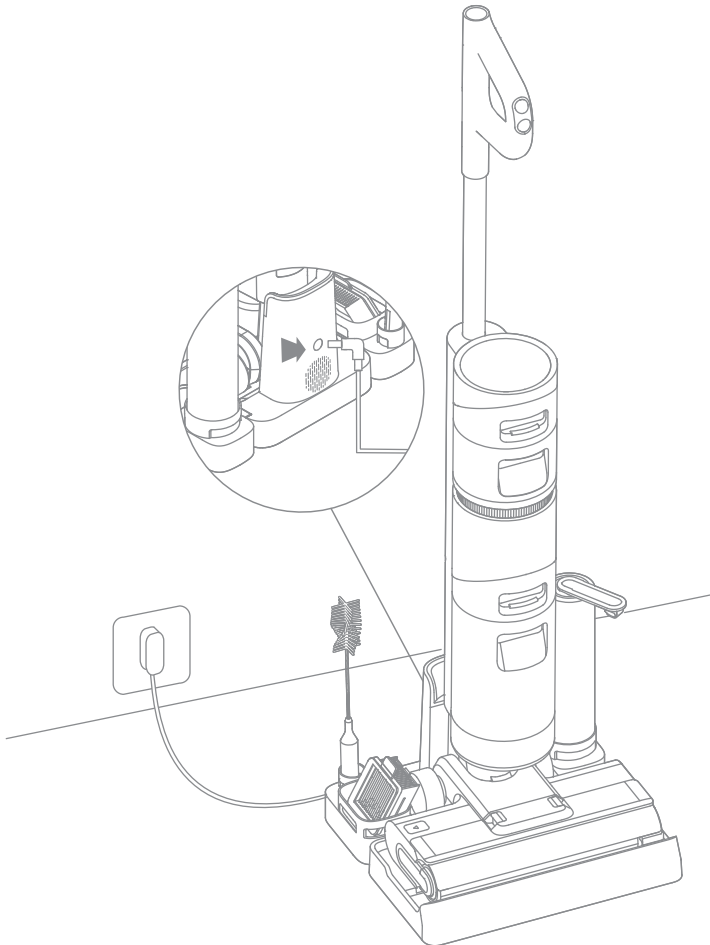
Remarque : Pour démonter la poignée, veuillez utiliser un objet dur pour atteindre le trou à l'arrière de l'aspirateur afin d'appuyer sur le contact, et en même temps tirer la poignée vers le haut.



Mise en charge

Remarque : Chargez complètement l'aspirateur avant de l'utiliser pour la première fois.

1. Placez la station de chargement sur un sol plat, contre un mur. Connectez une extrémité de l'adaptateur électrique à la station de chargement et l'autre extrémité à une prise de courant domestique.
2. Placez l'aspirateur sur la station de chargement, le ⚡ de l'écran s'allume pour indiquer l'état de charge. Le chiffre sur l'écran d'affichage représente le niveau actuel de la batterie en pourcentage pendant la charge. Lorsque le chiffre est à 100, la batterie est entièrement chargée et le ⚡ s'éteint. Si aucune opération n'est effectuée dans les 10 secondes, l'écran s'éteint automatiquement.

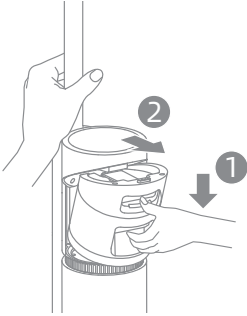


Remarque : Après une charge complète, si l'aspirateur n'effectue aucune tâche durant 15 mins à la suite, il passera en mode veille

Remplissage du réservoir d'eau propre

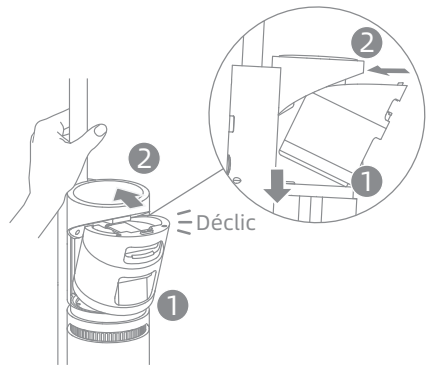
1. Appuyez sur le bouton de libération du réservoir d'eau propre et tirez le réservoir vers l'extérieur pour le retirer.

2. Ouvrez le couvercle du réservoir et remplissez le réservoir avec de l'eau propre.




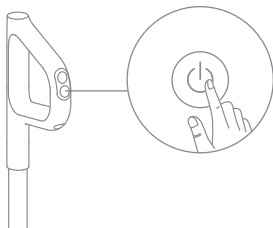
3. Fermez hermétiquement le couvercle du réservoir.

4. Installez le réservoir d'eau propre et assurez-vous qu'il s'enclenche en place.

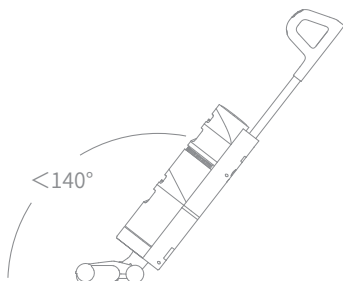


Démarrage du nettoyage

Appuyez brièvement sur le bouton  pour mettre l'aspirateur sous tension, et l'aspirateur commencera à nettoyer. L'aspirateur est équipé d'un interrupteur de redressement/ inclinaison. Veuillez marcher doucement sur le couvercle de la brosse et incliner l'aspirateur vers l'arrière pour commencer à fonctionner. Si l'aspirateur est en position verticale pendant le travail, la tâche en cours sera suspendue.



Remarque : Lorsque l'aspirateur fonctionne, ne le soulevez pas de haut en bas ni le déplacez pas, et n'inclinez pas l'aspirateur d'un côté ni le posez pas à plat afin d'empêcher l'eau sale de reculer dans l'aspirateur.



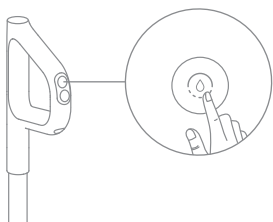
N'inclinez pas l'aspirateur à plus de 140° pour éviter les fuites d'eau.
Ne pas utiliser pour aspirer des liquides mousseux.

Mode Auto / Mode Aspiration

L'aspirateur est mis sous tension par défaut en mode Auto, vous pouvez passer au mode Aspiration en fonction de vos besoins.

Mode automatique : L'aspirateur ajuste la puissance d'aspiration en fonction des taches sur le sol.

Mode Aspiration : L'aspirateur peut nettoyer les taches d'eau sur le sol.



Entretien et maintenance

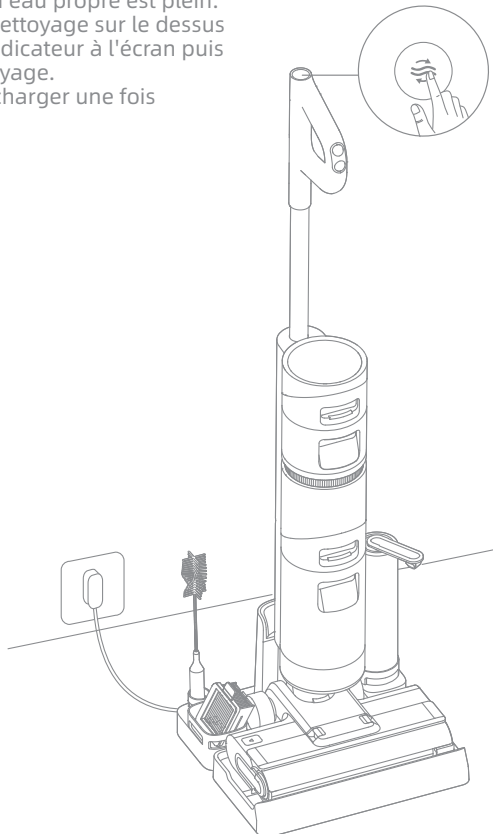
Conseils :

1. Éteignez l'aspirateur avant de procéder à l'entretien et à la maintenance.
2. Les pièces doivent être remplacées si nécessaire, veuillez utiliser les pièces désignées par l'usine d'origine afin de ne pas endommager le produit en raison d'une inadéquation.
3. Si l'aspirateur n'est pas utilisé pendant une longue période, chargez-le complètement, débranchez son chargeur et stockez-le dans un environnement frais et à faible humidité à l'abri de la lumière directe du soleil. Pour éviter une décharge excessive de la batterie, rechargez l'aspirateur au moins une fois tous les 3 mois.

Auto-nettoyage par simple clic

* La fonction d'auto-nettoyage ne peut être activée que lorsque l'aspirateur est chargé et que le restant de la batterie est supérieur à 15%.

1. Placez l'aspirateur à la verticale sur le station de chargement après les nettoyages programmés et assurez-vous que le réservoir d'eau propre est plein.
2. Appuyez sur le bouton d'autonettoyage sur le dessus de la poignée pour allumer l'indicateur à l'écran puis le robot commence l'autonettoyage.
3. L'aspirateur continuera à se recharger une fois l'autonettoyage terminé.

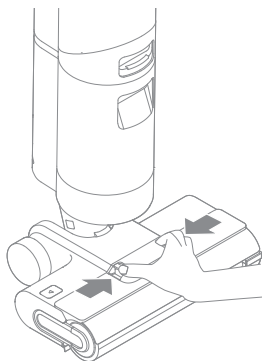


Remarque : Une fois que l'aspirateur a terminé l'autonettoyage, nettoyez rapidement le réservoir d'eau sale. S'il reste des taches sur la base de chargement, nettoyez-la.

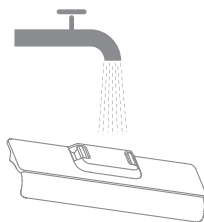
Nettoyage du couvercle de la brosse à rouleau en cours

* Nettoyez si nécessaire.

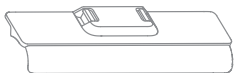
1. Appuyez sur les boutons de déverrouillage du couvercle de la brosse à rouleau aux deux extrémités vers l'intérieur pour retirer le couvercle.



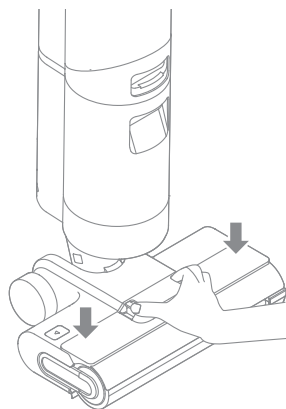
2. Rincez le couvercle à l'eau claire ou essuyez-le avec un chiffon.



3. Le couvercle doit être soigneusement séché avant d'être utilisé.



4. Réinstallez le couvercle.

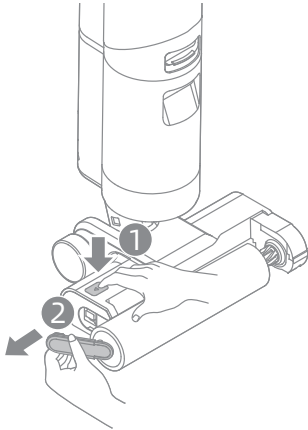


Entretien et maintenance

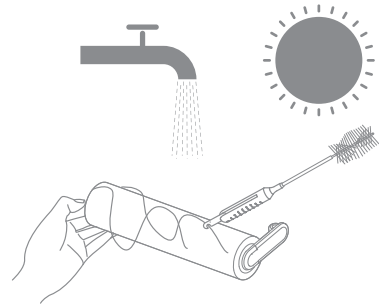
Nettoyage de la brosse à rouleau en cours

* Nettoyez si nécessaire, il est recommandé de le remplacer tous les 3 à 6 mois.

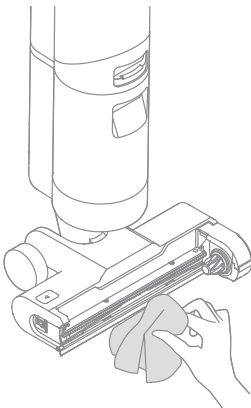
1. Appuyez sur le bouton de déverrouillage de la brosse à rouleau, et la poignée sort. Tirez-la pour retirer la brosse à rouleau.



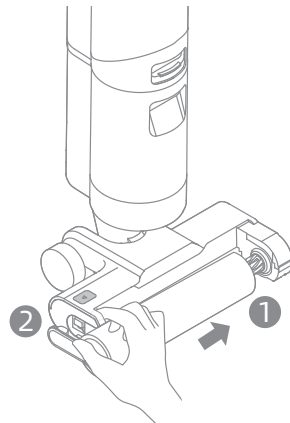
2. Débarrassez les cheveux et les débris emmêlés sur la brosse à rouleau avec la brosse de nettoyage fournie. Rincez la brosse à rouleau à l'eau claire et séchez-la complètement.



3. Essuyez la poussière de l'entrée de poussière avec un chiffon sec ou une serviette en papier. Ne le rincez jamais à l'eau.



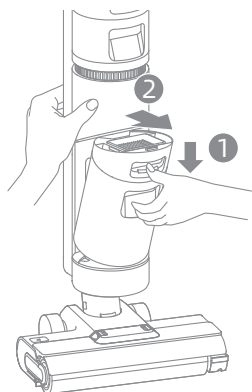
4. Après avoir nettoyé la brosse à rouleau, alignez et poussez l'extrémité droite dans la fente droite de l'ensemble de la brosse et poussez la poignée de la brosse à rouleau dans la fente gauche de l'ensemble de la brosse.



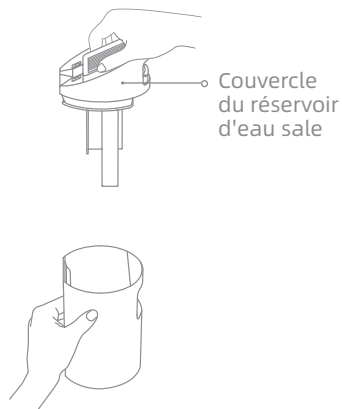
Nettoyage du réservoir d'eau sale en cours

* Il est recommandé de nettoyer le réservoir d'eau sale après chaque utilisation et avant et après l'activation de la fonction d'autonettoyage.

1. Appuyez sur le bouton de déverrouillage du réservoir d'eau sale, et tirez le réservoir d'eau sale vers l'extérieur pour le sortir.



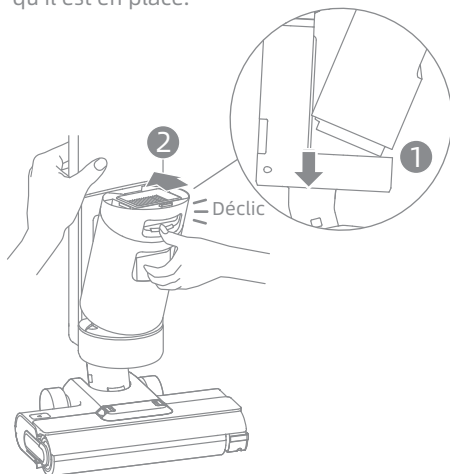
2. Tenez le réservoir d'eau sale et retirez le couvercle du réservoir. Versez l'eau sale.



3. Rincez le réservoir d'eau sale et le couvercle du réservoir avec de l'eau propre. Nettoyez la paroi intérieure du réservoir avec la brosse de nettoyage fournie.



4. Une fois le nettoyage terminé, fermez le couvercle du réservoir, enclenchez le bas du réservoir dans la position de support de l'aspirateur, puis poussez doucement le réservoir jusqu'à ce que vous entendiez un clic, ce qui indique qu'il est en place.

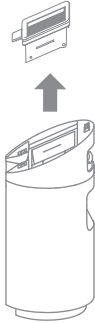


Entretien et maintenance

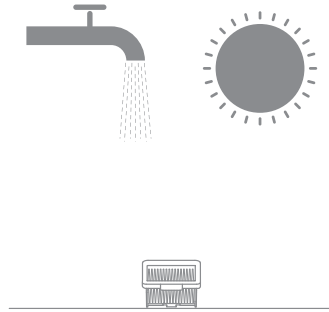
Nettoyage du filtre

* Remplacez-le tous les 3 à 6 mois.

1. Retirez le filtre du haut du réservoir d'eau sale.

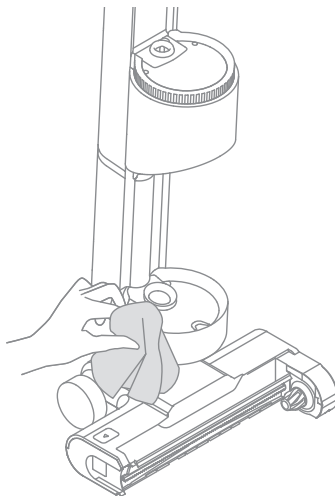


2. Si le filtre est sale, rincez-le à l'eau claire et séchez-le complètement avant de l'utiliser.



Nettoyage du tube

Retirez le réservoir d'eau sale, essuyez-le avec un chiffon humide pour nettoyer le tube avant de l'utiliser.







Erreur	Cause Possible	Solution
L'aspirateur ne fonctionne pas.	La poignée n'est pas installée en place.	Réinstallez la poignée.
	L'aspirateur n'a plus de batterie ou en faible batterie.	Chargez complètement sa batterie avant de l'utiliser.
	Le corps est à la verticale.	Inclinez l'aspirateur.
	La brosse à rouleau n'est pas installée en place, ou la brosse à rouleau est emmêlée par des poils et ne peut pas tourner .	Réinstallez ou nettoyez la brosse à rouleau.
	Le réservoir d'eau sale n'est pas installé à sa place.	Réinstallez le réservoir d'eau sale.
	Le réservoir d'eau sale est plein.	Videz le réservoir d'eau sale.
Faible force d'aspiration.	Le filtre est bouché.	Nettoyez le filtre.
	Le couvercle de la brosse à rouleau, le filtre ou le réservoir d'eau propre ne sont pas installés.	Installez le couvercle de la brosse à rouleau, le filtre et le réservoir d'eau propre avant l'utilisation.
	La brosse à rouleau est emmêlée par des poils.	Veillez consulter la section [Nettoyage de la brosse à rouleau] du guide d'entretien.
	Il y a des articles étrangers dans le tube ou le tube est bloqué.	Nettoyez le tube.
Le moteur émet un bruit étrange.	Trop d'eau sale dans le réservoir d'eau sale.	Videz le réservoir d'eau sale.
	L'ouverture d'aspiration principale est bloquée.	Éliminez tout blocage dans l'ouverture d'aspiration principale.
L'indicateur d'état de la batterie ne s'allume pas pendant la charge.	L'adaptateur n'est pas branché sur la prise électrique.	Assurez-vous que l'adaptateur électrique est correctement branché.
	L'adaptateur électrique n'est pas correctement connecté à la station de chargement.	Assurez-vous qu'ils sont correctement connectés.

Erreur	Cause Possible	Solution
L'indicateur d'état de la batterie ne s'allume pas pendant la charge.	Le station de chargement n'est pas connecté à l'aspirateur.	Assurez-vous que l'aspirateur est en place.
Aucun débit d'eau ne sort de l'aspirateur.	Le réservoir d'eau propre n'a pas été installé en place ou le réservoir d'eau propre est vide.	Réinstallez ou remplissez le réservoir d'eau propre.
Fuite d'eau par le haut du réservoir d'eau sale.	Un choc ou une traction brutale provoque l'entrée d'eau dans le moteur.	Déplacez doucement l'aspirateur d'avant en arrière lorsque vous le mettez en marche.
	Le filtre n'est pas complètement sec après avoir été nettoyé.	Séchez complètement le filtre avant de l'utiliser.
L'autonettoyage a échoué.	La brosse à rouleau est peut-être bloquée par de grosses particules.	Ouvrez le couvercle de la brosse à rouleau pour la vérifier et nettoyer.
	L'aspirateur n'est pas chargé.	Assurez-vous que l'aspirateur est chargé avant d'activer la fonction d'autonettoyage.
	L'autonettoyage ne peut pas être activé si le restant de la batterie est inférieur à 15 %.	La fonction d'autonettoyage ne peut être activée que lorsque l'aspirateur est chargé et que le restant de la batterie est supérieur à 15%.
	Le réservoir d'eau sale n'est pas installé en place ou le réservoir d'eau sale est plein.	Réinstallez ou videz le réservoir d'eau sale.
	Le réservoir d'eau propre n'a pas été installé en place ou le réservoir d'eau propre est vide.	Réinstallez ou remplissez le réservoir d'eau propre.

Indication pour la panne

Si vous devez prêter attention à une anomalie quelconque pendant l'utilisation du produit, l'écran affichera un message d'avertissement. Vous devez suivre les instructions à l'écran pour que les performances restent normales.

Icône d'erreur	Cause Possible	Solutions
	Insuffisance d'eau dans le réservoir d'eau propre	Remplissez le réservoir d'eau propre.
	Le réservoir d'eau sale n'est pas installé	Installez le réservoir d'eau sale.
	Réservoir d'eau sale plein	Videz le réservoir d'eau sale.
	Brosse à rouleau coincée	Nettoyez la brosse à rouleau avec la brosse de nettoyage fournie.
	La brosse à rouleau n'est pas installée	Installez la brosse à rouleau.
	Tube bouché	Veillez vérifier si le filtre est bouché.
		Consultez la section [Nettoyage du tube] du manuel d'entretien.

Code de panne	Cause Possible	Solutions
E1/EE/EF	Erreur de moteur	Veillez contacter le service clientèle.
E2/E3/E7/E8/E9	Défaillance de la batterie	Veillez contacter le service clientèle.
E4/E5	Adaptateur électrique incompatible	Veillez utiliser l'adaptateur électrique original ou contacter le service clientèle.
E6	Surchauffe de la batterie	Attendez que la température de la batterie redevienne normale.

FR Caractéristiques

Aspirateur Lave-sol humide et sec			
Modèle	HHR14B	Temps de charge	Environ. 5 heures
Tension nominale	21,6 V ---	Tension de charge	26 V ---
Puissance nominale	200 W	Capacité nominale	3650 mAh
Capacité nominale	4000 mAh	Capacité du réservoir d'eau sale	500 mL
Capacité serbatoio dell'acqua pulita	900 mL		
Adaptateur électrique			
Modèle	YLS0251B-E260090	Efficacité moyenne active	87,28%
Entrée	100-240 V ~ 50/60 Hz 0,8 A Max	Efficacité à faible charge (10%)	79,74%
Sortie	26 V --- 0,9 A	Consommation à faible puissance	0,08 W

- Le bloc-piles au lithium contient des substances dangereuses pour l'environnement. Avant de mettre l'appareil au rebut, veuillez d'abord retirer le bloc-piles, puis le mettre au rebut ou le recycler conformément aux lois et réglementations locales du pays ou de la région où il est utilisé.
- L'appareil doit être débranché de l'alimentation électrique lors du retrait de la batterie. Gardez les piles hors de portée des enfants. Ne mettez jamais les piles dans la bouche. En cas d'ingestion, contactez votre médecin ou le centre antipoison local.
- Dans des conditions abusives, ne jamais entrer en contact avec la pile dont le liquide peut être éjecté. En cas de contact accidentel, rincez à l'eau. Si le liquide entre en contact avec les yeux, consultez immédiatement un médecin. Le liquide éjecté de la batterie peut provoquer des irritations ou des brûlures.

Informations DEEE



Tous les produits portant ce symbole deviennent des déchets d'équipements électriques et électroniques (DEEE dans la Directive européenne 2012/19/UE) qui ne doivent pas être mélangés aux déchets ménagers non triés. Vous devez contribuer à la protection de l'environnement et de la santé humaine en apportant l'équipement usagé à un point de collecte dédié au recyclage des équipements électriques et électroniques, agréé par le gouvernement ou les autorités locales. Le recyclage et la destruction appropriés permettront d'éviter tout impact potentiellement négatif sur l'environnement et la santé humaine. Contactez l'installateur ou les autorités locales pour obtenir plus d'informations concernant l'emplacement ainsi que les conditions d'utilisation de ce type de point de collecte.

Istruzioni Importanti per la Sicurezza Solo Per Uso Domestico

- Leggere attentamente questo manuale prima dell'uso e conservarlo per riferimento futuro.
- Quando si utilizza un apparecchio elettrico, è necessario seguire sempre le precauzioni di base, comprese le seguenti:
- **LEGGERE TUTTE LE ISTRUZIONI PRIMA DI UTILIZZO (QUESTO APPARECCHIO).** La mancata osservanza delle avvertenze e delle istruzioni può provocare scosse elettriche, incendi e/o lesioni gravi.

AVVERTENZA- Per ridurre il rischio di incendi, scosse elettriche o lesioni:

- Utilizzare solo come descritto in questa guida per l'utente. Utilizzare solo gli accessori consigliati dal produttore.
- Utilizzare solo in interni, su superfici non rivestite di tappeto come vinile, piastrelle, legno sigillato, ecc. Fare attenzione a non calpestare oggetti sciolti o bordi di tappeti. Lo stallo della spazzola può provocare un guasto prematuro della cinghia.
- Questo prodotto non deve essere utilizzato da bambini di età inferiore a 8 anni, né da persone con deficit fisici, sensoriali, cognitivi, esperienza o conoscenza limitata, senza la supervisione di un genitore o tutore, al fine di garantire la sicurezza del funzionamento ed evitare eventuali rischi. La pulizia e la manutenzione non devono essere eseguite da bambini senza supervisione.
- Questo apparecchio non è destinato all'uso da parte di persone (compresi i bambini) con ridotte capacità fisiche, sensoriali o mentali o prive di esperienza e conoscenza, a meno che non siano state supervisionate o istruite sull'uso dell'apparecchio da una persona responsabile della loro sicurezza .
- Non usare liquidi infiammabili o combustibili per pulire i pavimenti.
- Non usare per raccogliere liquidi infiammabili o combustibili, come benzina. Non usare in aree dove possono essere presenti liquidi infiammabili o combustibili.
- Per ricaricare la batteria, usa solo l'adattatore rimovibile fornito con questo apparecchio. Usa solo con adattatore <YLS0251B-E260090>.
- Un adattatore che sia adatto a un tipo di pacco batteria può creare un rischio di incendio quando è usato con un altro pacco batteria.
- Non immergere l'apparecchio in liquidi.
- La pellicola di plastica può essere pericolosa. Per evitare il pericolo di soffocamento, tenerlo lontano dalla portata dei bambini.
- Tenere i capelli, i vestiti larghi, le dita e tutte le parti del corpo lontani dalle aperture e dalle parti in movimento dell'apparecchio e dei suoi accessori.
- Utilizzare solo il tipo e la quantità di liquidi specificati nella sezione operativa di questa guida. Il liquido non deve essere diretto verso apparecchiature contenenti componenti elettrici.
- Non mettere nessun oggetto nelle aperture. Non usare l'apparecchio quando una qualsiasi apertura è ostruita; mantieni esente da polvere, lanugine, capelli e qualsiasi cosa possa inibire il flusso d'aria.
- Non utilizzarlo senza filtri in posizione.

Informazioni sulla Sicurezza

- Non usare l'apparecchio con un adattatore danneggiato. Se l'adattatore è danneggiato, deve essere sostituito dal produttore, dal suo agente di servizio o da personale con qualifica simile al fine di evitare rischi.
- Non raccogliere materiale tossico (candeggina a base di cloro, ammoniaca, detergente per scarichi, ecc.). Non raccogliere oggetti duri o appuntiti come vetro, chiodi, viti, monete, ecc.
- Non utilizzare l'apparecchio in uno spazio chiuso pieno di vapori emessi da vernici a base di olio, diluenti per vernici, alcune sostanze antitarne, polvere infiammabile o altri vapori esplosivi o tossici. Non raccogliere nulla che stia bruciando o fumando, come sigarette, fiammiferi o cenere calda.
- Segui tutte le istruzioni per la ricarica e non ricaricare l'apparecchio al di fuori dell'intervallo di temperatura specificato nella batteria, poiché ciò aumenta il rischio di incendio.
- I terminali di uscita della base di ricarica non devono essere cortocircuitati. Non utilizzarlo con cavo o caricatore danneggiato. Se l'apparecchio è caduto, danneggiato, lasciato all'aperto, caduto in acqua o non funziona come dovrebbe, restituirlo a un centro di assistenza.
- Tenere il cavo del caricatore lontano da superfici riscaldate. Non maneggiare la spina del caricabatterie o l'apparecchio con le mani bagnate. Per scollegare, afferrare la spina del caricabatterie anziché il cavo.
- Non tirare o trasportare il caricabatterie tramite il cavo, non utilizzare il cavo come maniglia, chiudere lo sportello del cavo o tirare il cavo attorno a spigoli vivi o angoli.
- Spegnerlo quando non in uso, prima di pulire, sottoporre a manutenzione o riparare l'apparecchio e prima di collegare o scollegare l'utensile con una spazzola mobile.
- Non esporre l'apparecchio a fiamme o temperature eccessive. L'esposizione al fuoco o ad una temperatura eccessiva può provocare un'esplosione.
- Non esporre l'apparecchio a fiamme o temperature eccessive. L'esposizione al fuoco o ad una temperatura eccessiva può provocare un'esplosione.
- Assicurarsi che l'apparecchio sia posizionato su una superficie orizzontale. Non utilizzare l'apparecchio nella stessa posizione se è dotato di spazzola rotante e il manico non è completamente in posizione verticale. Non riporre l'elettrodomestico in un luogo in cui potrebbe gelare.
- Prestare particolare attenzione durante la pulizia delle scale.
- Impedire l'avviamento accidentale. Assicurarsi che l'interruttore sia in posizione OFF prima di sollevare o trasportare l'apparecchio. Trasportare l'apparecchio con il dito sull'interruttore o mettere sotto tensione l'apparecchio con l'interruttore acceso può provocare incidenti.
- Questo prodotto contiene batterie che possono essere sostituite solo da tecnici qualificati o dal servizio post-vendita.

Informazioni sulla Sicurezza

SALVARE QUESTE ISTRUZIONI PRECAUZIONI IMPORTANTI

- Far eseguire la manutenzione da un tecnico qualificato utilizzando solo parti di ricambio identiche. Ciò garantirà il mantenimento della sicurezza del prodotto.
- Non modificare o tentare di riparare l'apparecchio salvo quanto indicato nelle istruzioni per l'uso e la cura.
- Non usare in ambienti estremamente caldi o freddi (sotto 0 °C / 32 °F o sopra 40 °C / 104 °F). Per favore ricarica l'apparecchio a temperature superiori a 0 °C / 32 °F e inferiori a 40 °C / 104 °F).
- Se l'apparecchio è caduto, danneggiato, lasciato all'aperto, caduto in acqua o non funziona come dovrebbe, non tentare mai di metterlo in funzione. Si prega di farlo riparare presso un centro di assistenza autorizzato.

 Unità di alimentazione staccabile



Leggi il manuale dell'operatore

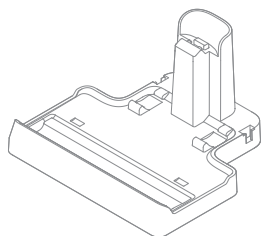
Scatola	Manuale	Borsa	Pellicola	Pellicola
PAP 20	PAP 22	CPE 7	PET 1	PP 5
Carta		Plastica		
RACCOLTA DIFFERENZIATA				
Verifica le disposizioni del tuo Comune. Separa le componenti e conferiscile in modo corretto.				

Con la presente, Dreame Trading (Tianjin) Co., Ltd., dichiara che questo apparecchio è conforme alle direttive applicabili e alle norme europee, nonché ai relativi emendamenti. Il testo completo della dichiarazione di conformità UE è disponibile al seguente indirizzo Internet: <https://global.dreametech.com>

Il manuale elettronico dettagliato è disponibile all'indirizzo <https://global.dreametech.com/pages/user-manuals-and-faqs>

Introduzione del Prodotto

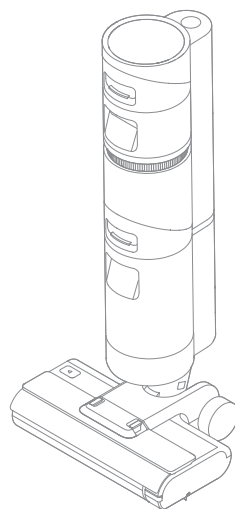
Lista Imballaggio



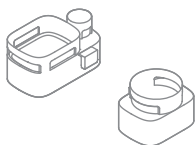
Base di Ricarica



Maniglia



Dispositivo Principale



Supporto di Accessori



Spazzola per la Pulizia



Adattatore di Alimentazione



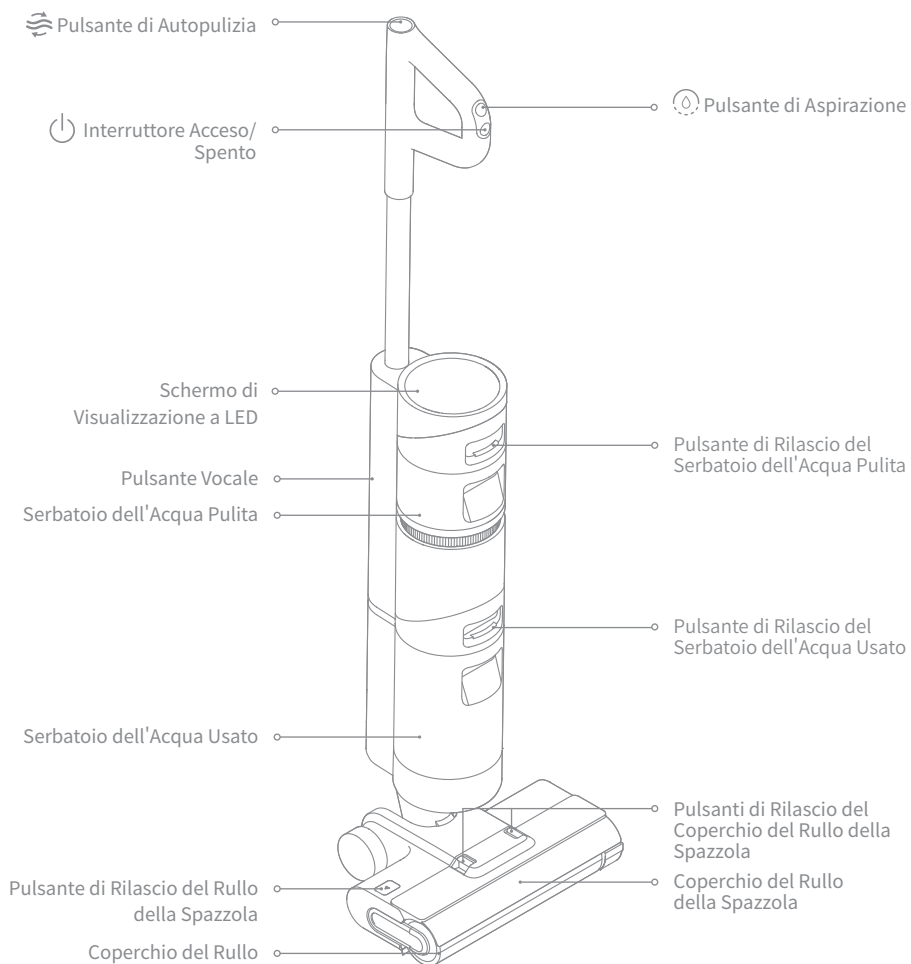
Spazzola a Rullo di Ricambio



Filtro di Ricambio

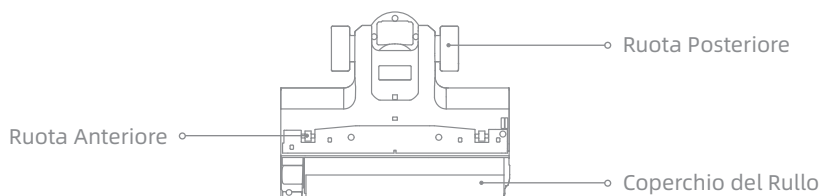
Introduzione del Prodotto

Aspirapolvere

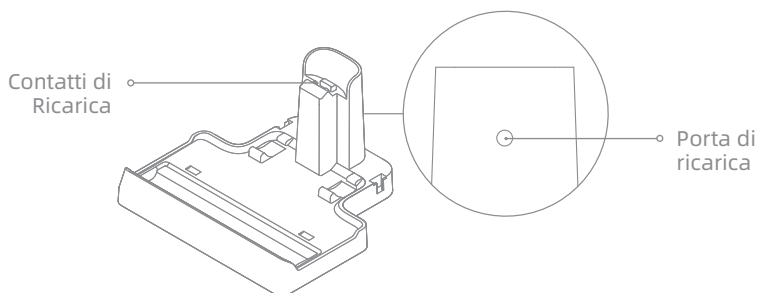


Introduzione del Prodotto

Gruppo Spazzola

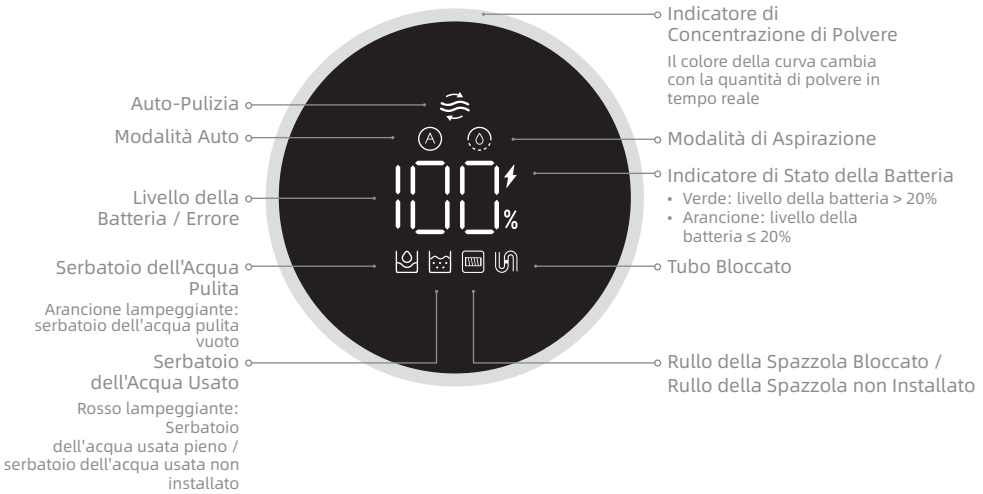


Base di Ricarica

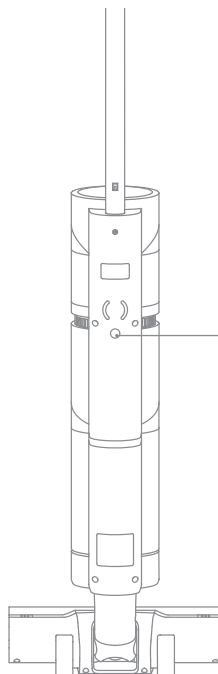


Introduzione del Prodotto

Schermo di Visualizzazione



Pulsante Vocale

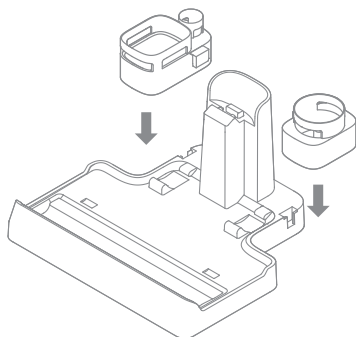


- Pulsante Vocale
 - Premere brevemente per attivare il messaggio vocale o regolare il volume
 - Tenere premuto per 3 secondi per cambiare la lingua

IT Installazione

Installazione del Supporto per Accessori

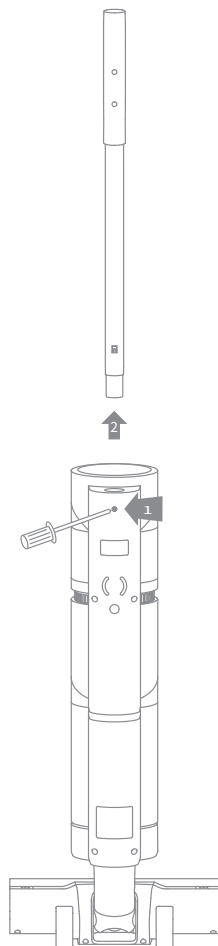
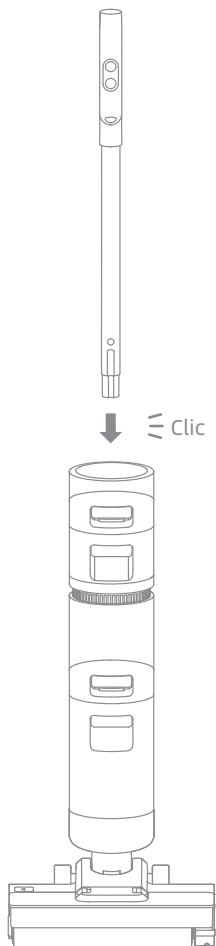
Installare il supporto di accessori nella base di ricarica come indicato.



Schema di Installazione dell'Aspirapolvere

Inserire il fondo della maniglia verticalmente nella porta sulla parte superiore dell'aspirapolvere secondo la direzione mostrata nella figura e l'installazione è riuscita quando si sente un clic.

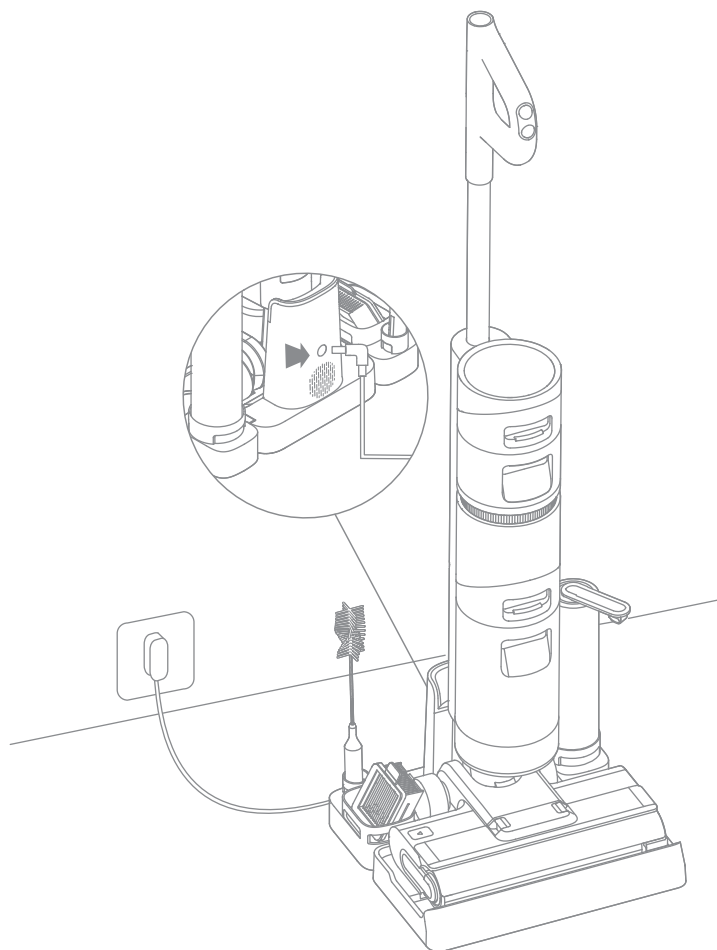
Nota: Per smontare la maniglia, utilizzare un oggetto duro per raggiungere il foro sul retro dell'aspirapolvere per premere il contatto e allo stesso tempo estrarre la maniglia verso l'alto.



In ricarica

Nota: Caricare completamente l'aspirapolvere prima di utilizzarlo per la prima volta.

1. Posizionare la base di ricarica su una superficie piana contro muro. Collegare un'estremità dell'adattatore di alimentazione alla base di ricarica e l'altra estremità a una presa domestica.
2. Posiziona l'aspirapolvere sulla base di ricarica, il ⚡ sullo schermo si illuminerà per indicare lo stato di ricarica. Il numero sullo schermo del display rappresenta il livello attuale della batteria come percentuale durante la ricarica. Quando il numero è a 100, la batteria è completamente carica e il ⚡ si spegnerà. Se non viene eseguita alcuna operazione entro 10 secondi, lo schermo si spegnerà automaticamente.



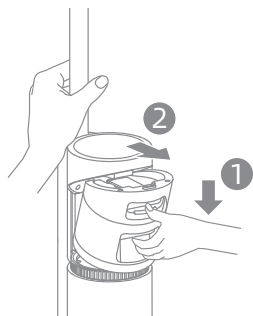
Nota: Dopo 15 minuti di inattività con una carica completa, l'aspirapolvere entra in modalità sospensione.

IT Istruzioni per l'Uso

Riempimento del Serbatoio dell'Acqua Pulita

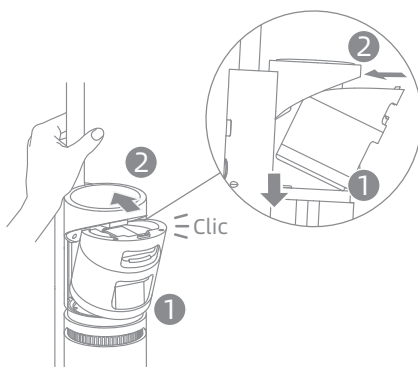
1. Premi il pulsante di rilascio del serbatoio dell'acqua pulita e tira il serbatoio verso l'esterno per rimuoverlo.

2. Apri il coperchio del serbatoio e aggiungi l'acqua sufficiente al serbatoio dell'acqua pulita.




3. Chiudi ermeticamente il coperchio del serbatoio.

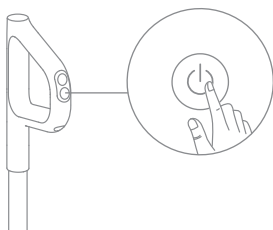
4. Installa il serbatoio dell'acqua pulita e assicurati che scatti in posizione.



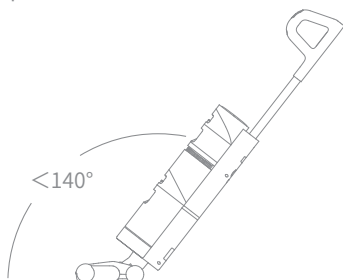
Istruzioni per l'Uso

Iniziarla Pulizia

Premi brevemente il pulsante  per accendere e l'aspirapolvere inizierà a pulire. L'aspirapolvere viene fornito con un interruttore verticale / reclinabile. Per favore calpesta delicatamente il coperchio della spazzola e reclina l'aspirapolvere all'indietro per iniziare a funzionare. Se l'aspirapolvere è in posizione verticale durante il funzionamento, il compito in corso verrà sospeso.



Nota: Quando l'aspirapolvere è in funzione, non sollevarlo e abbassarlo o spostarlo e non inclinare l'aspirapolvere su un lato o appoggiarlo in piano per proteggerlo dall'acqua sporca che torna nell'aspirapolvere.



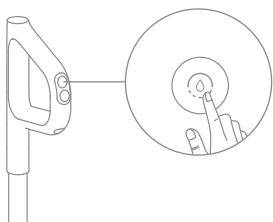
Non reclinare l'aspirapolvere di oltre 140° per proteggerlo da perdita d'acqua.
Non usare per aspirare liquidi schiumosi.

Modalità Auto / Modalità di Aspirazione

L'aspirapolvere è acceso per impostazione predefinita in modalità Auto, puoi passare alla modalità di Aspirazione in base alle tue esigenze.

Modalità Automatica: L'aspirapolvere regola la potenza d'aspirazione in base alle macchie sul pavimento.

Modalità di Aspirazione: L'aspirapolvere può pulire le macchie d'acqua sul pavimento.



Cura & Manutenzione

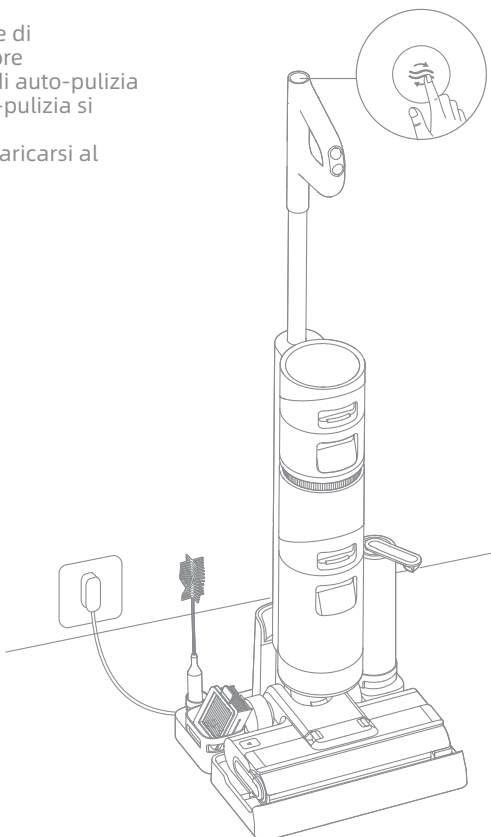
Suggerimenti:

1. Spegni l'aspirapolvere prima della cura e della manutenzione.
2. Le parti devono essere sostituite se necessario, si prega di utilizzare le parti designate dalla fabbrica originale per evitare danni al prodotto a causa di inadeguatezza.
3. Se l'aspirapolvere non viene utilizzato per un lungo periodo, caricarlo completamente, scollegare il caricabatterie e riporlo in un ambiente fresco e a bassa umidità, lontano dalla luce solare diretta. Per evitare lo scaricamento eccessivo della batteria, ricaricare l'aspirapolvere almeno una volta ogni 3 mesi.

Auto-Pulizia con un solo tocco

* La funzione di autopulizia può essere abilitata solo quando l'aspirapolvere è carico e il livello della batteria è superiore al 15%.

1. Posizionare l'aspirapolvere in posizione verticale sulla base di ricarica dopo le pulizie designate e assicurarsi che il serbatoio dell'acqua pulita sia pieno.
2. Premere brevemente il pulsante di auto-pulizia sulla parte superiore dell'impugnatura, l'indicatore di auto-pulizia illumina sullo schermo e l'auto-pulizia si avvia.
3. L'aspirapolvere continuerà a ricaricarsi al termine dell'autopulizia.

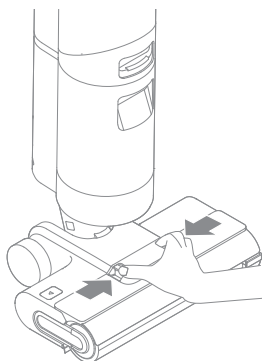


Nota: Dopo che l'aspirapolvere ha completato l'auto-pulizia, pulisci prontamente il serbatoio dell'acqua usata. Se rimangono delle macchie sulla base di ricarica, pulisci la base.

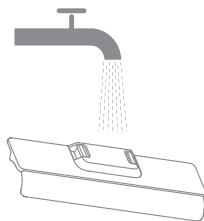
Pulizia del Coperchio del Rullo della Spazzola

* Pulire secondo necessità.

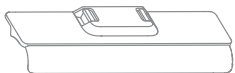
1. Premere i pulsanti di rilascio del coperchio del rullo della spazzola su entrambe le estremità verso l'interno per rimuovere il coperchio



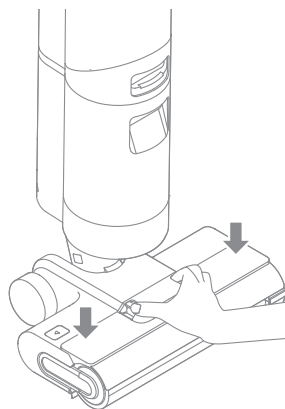
2. Sciacqua il coperchio con acqua pulita o puliscilo con un panno.



3. Il coperchio deve essere asciugata completamente prima dell'uso.



4. Reinstalla il coperchio sul retro.

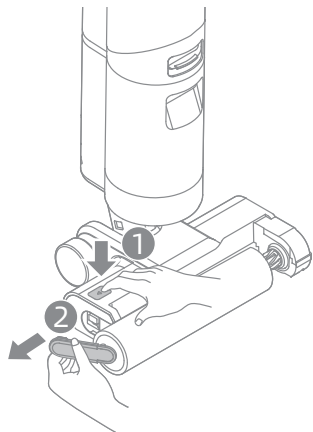


Cura & Manutenzione

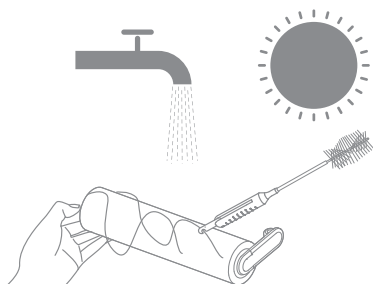
Pulizia del Rullo della Spazzola

* Pulisci secondo necessità, si consiglia di sostituirlo ogni 3 - 6 mesi.

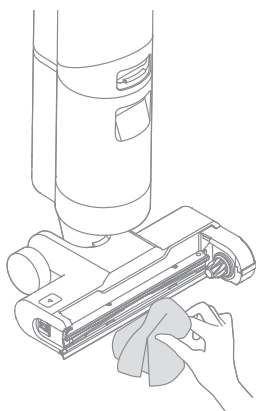
1. Premi il pulsante di rilascio del rullo della spazzola e la maniglia del rullo della spazzola fuoriesce. Tiralo per estrarre il rullo della spazzola.



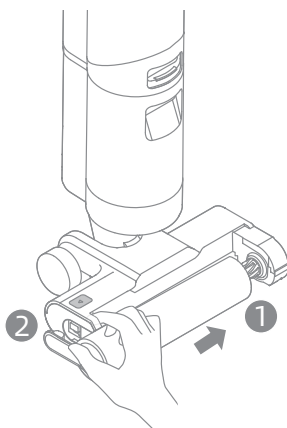
2. Pulisci i capelli e i detriti aggrovigliati sul rullo della spazzola con la spazzola per la pulizia in dotazione. Sciacqua il rullo della spazzola con acqua pulita e asciugalo completamente.



3. Rimuovere la polvere dalla bocca di aspirazione con un panno asciutto o un tovagliolo di carta. Non risciacquarlo mai con acqua.



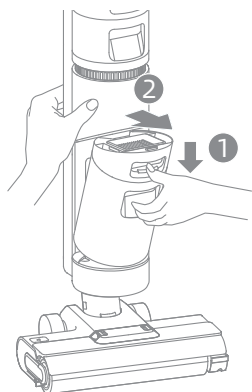
4. Dopo aver pulito il rullo della spazzola, allinea e spingi l'estremità destra nella fessura destra sul gruppo spazzola e premi la maniglia del rullo della spazzola nella fessura sinistra sul gruppo spazzola.



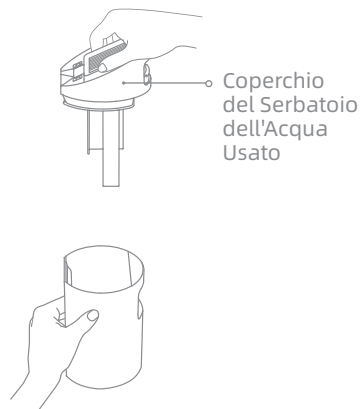
Pulizia del Serbatoio dell'Acqua Usata

* Si consiglia di pulire il serbatoio dell'acqua usata dopo ogni uso e prima e dopo aver abilitato la funzione di autopulizia.

1. Premi il pulsante di rilascio del serbatoio dell'acqua usata e tira verso l'esterno il serbatoio dell'acqua usata per estrarlo.



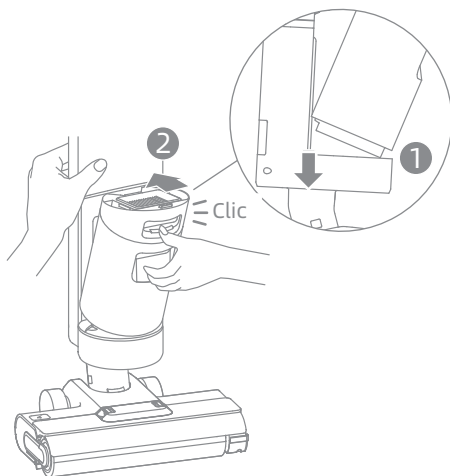
2. Tieni il serbatoio dell'acqua usata e rimuovi il coperchio del serbatoio. Versa l'acqua di scarico.



3. Sciacqua il serbatoio dell'acqua usata e il coperchio del serbatoio con acqua pulita. Pulisci la parete interna del serbatoio con la spazzola in dotazione.



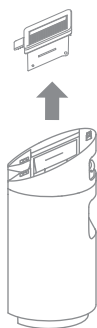
4. Al termine della pulizia, chiudere il coperchio del serbatoio, far scattare il fondo del serbatoio nella posizione di supporto dell'aspirapolvere, e spingere delicatamente il serbatoio fino a sentire un clic che indica che è in posizione.



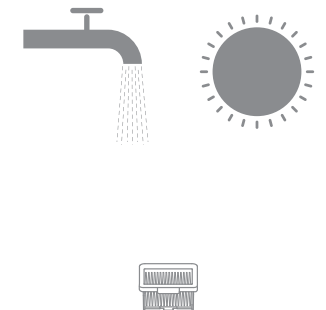
Pulizia del Filtro

* Sostituiscilo ogni 3 - 6 mesi.

1. Rimuovi il filtro dalla parte superiore del serbatoio dell'acqua usata.

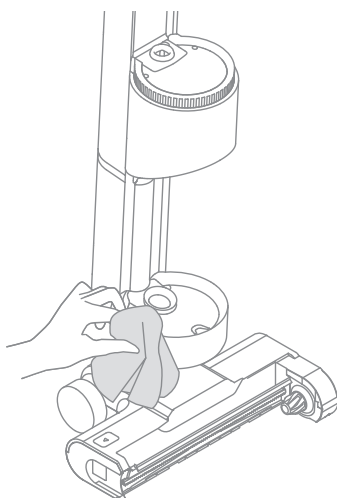


2. Se il filtro è sporco, sciacqualo con acqua pulita e asciugalo completamente prima dell'uso.



Pulizia del Tubo

Rimuovi il serbatoio dell'acqua usato, puliscilo con un panno umido per pulire il tubo prima dell'uso.



Domande Frequenti





Errore	Causa possibile	Soluzione
L'aspirapolvere non funziona.	La maniglia non è installata in posizione.	Reinstalla la maniglia.
	La batteria dell'aspirapolvere è scarica o in basso livello.	Ricarica completamente la batteria prima dell'uso.
	L'aspirapolvere è in posizione verticale.	Reclinare l'aspirapolvere.
	Il rullo della spazzola non è installato in posizione o il rullo della spazzola è aggrovigliato da capelli e non è in grado di ruotare.	Reinstalla o pulisci il rullo della spazzola.
	Il serbatoio dell'acqua usata non è installato in posizione.	Reinstalla il serbatoio dell'acqua usata.
	Il serbatoio dell'acqua usata è pieno.	Svuota il serbatoio dell'acqua usata.
Debole forza di aspirazione.	Il filtro è ostruito.	Pulire il filtro.
	Il coperchio del rullo della spazzola, il filtro o il serbatoio dell'acqua pulita non sono installati in posizione.	Installa il coperchio del rullo della spazzola, il filtro e il serbatoio dell'acqua pulita in posizione prima dell'uso.
	Il rullo della spazzola è aggrovigliato dai capelli.	Fai riferimento alla sezione della guida alla manutenzione [Pulizia del Rullo della Spazzola].
	Ci sono alcuni oggetti estranei nel tubo o il tubo è ostruito.	Pulire il tubo.
Il motore fa uno strano rumore.	Troppa acqua sporca nel serbatoio dell'acqua usata.	Svuota il serbatoio dell'acqua usata.
	La bocca di aspirazione principale è ostruita.	Eliminare qualsiasi blocco nella bocca di aspirazione principale.
L'indicatore di stato della batteria non si accende durante la carica.	L'adattatore non è collegato alla presa elettrica.	Assicurarsi che l'adattatore sia collegato correttamente.
	L'adattatore di alimentazione non è collegato correttamente alla base di ricarica.	Assicurarsi che siano collegati correttamente.

Domande Frequenti

Errore	Causa possibile	Soluzione
L'indicatore di stato della batteria non si accende durante la carica.	La base di ricarica non è collegata all'aspirapolvere.	Assicurarsi che l'aspirapolvere sia a posto.
Nessun flusso d'acqua fuoriesce dall'aspirapolvere.	Il serbatoio dell'acqua pulita non è stato installato o il serbatoio dell'acqua pulita è vuoto.	Reinstallare o riempire il serbatoio dell'acqua pulita.
Perdita d'acqua dalla parte superiore del serbatoio dell'acqua sporca.	Una collisione o una forte trazione provoca l'ingresso di acqua nel motore.	Spostare delicatamente avanti e indietro quando l'aspirapolvere è acceso.
	Il filtro non è completamente asciutto dopo essere stato pulito.	Asciugare completamente il filtro prima dell'uso.
Auto-pulizia fallita.	Il rullo della spazzola potrebbe essere inceppato da particelle grandi.	Apri il coperchio del rullo della spazzola per controllare e pulire il rullo della spazzola.
	L'aspirapolvere non è in ricarica.	Assicurarti che l'aspirapolvere sia in ricarica prima di attivare la funzione di auto-pulizia.
	L'auto-pulizia non può essere avviata se il livello della batteria è inferiore al 15%.	La funzione di autopulizia può essere abilitata solo quando l'aspirapolvere è carico e il livello della batteria è superiore al 15%.
	Il serbatoio dell'acqua usata non è installato in posizione o il serbatoio dell'acqua usata è pieno.	Reinstalla o svuota il serbatoio dell'acqua usata.
	Il serbatoio dell'acqua pulita non è stato installato o il serbatoio dell'acqua pulita è vuoto.	Reinstallare o riempire il serbatoio dell'acqua pulita.

Suggerimento Guasto

In presenza di una situazione anormale durante l'uso del dispositivo, lo schermo visualizzerà un messaggio rapido. Si devono seguire le indicazioni sullo schermo per mantenere le funzionalità invariate.

Icona errore	Causa possibile	Soluzioni
	Acqua insufficiente nel serbatoio dell'acqua pulita	Riempire il serbatoio dell'acqua pulita.
	Serbatoio dell'acqua usato non installato	Installa il serbatoio dell'acqua usato.
	Serbatoio dell'acqua usato pieno	Svuota il serbatoio dell'acqua usata.
	Rullo della spazzola bloccato	Pulisci il rullo della spazzola con la spazzola per la pulizia fornita.
	Rullo della spazzola non installato	Installa il rullo della spazzola.
	Tubo Bloccato	Per favore controlla se il filtro è ostruito.
		Fai riferimento alla sezione del manuale di manutenzione [Pulizia del Tubo].

Codice di guasto	Causa possibile	Soluzioni
E1/EE/EF	Errore Motore	Si prega di contattare il servizio clienti.
E2/E3/E7/E8/E9	Batteria guasta	Si prega di contattare il servizio clienti.
E4/E5	Adattatore di alimentazione incompatibile	Utilizzare l'adattatore di alimentatore originale, o contattare il servizio clienti.
E6	Batteria surriscaldata	Attendi finché la temperatura della batteria non torna normale.

IT Parametri di Base

Aspirapolvere a Pavimento Umido e Asciutto			
Modello	HHR14B	Tempo di Carica	Circa 5 ore
Tensione Nominale	21,6 V ---	Tensione di Carica	26 V ---
Potenza Nominale	200 W	Capacità Stimata	3650 mAh
Capacità Nominale	4000 mAh	Capacità del Serbatoio dell'Acqua Usata	500 mL
Capacità del Serbatoio dell'Acqua Pulita	900 mL		
Adattatore di Alimentazione			
Modello	YLS0251B-E260090	Efficienza attiva media	87,28%
Ingresso	100-240 V ~ 50/60 Hz 0,8 A Max	Efficienza a basso carico (10%)	79,74%
Uscita	26 V --- 0,9 A	Consumo di energia a vuoto	0,08 W

- La batteria al litio contiene sostanze pericolose per l'ambiente. Prima di smaltire l'apparecchio, rimuovi prima il pacco batteria, quindi smaltiscilo o ricicla in conformità con le leggi e le normative locali del paese o della regione in cui è usato.
- L'apparecchio deve essere scollegato dall'alimentazione quando rimuovi la batteria. Tieni le batterie fuori dalla portata dei bambini. Non mettere mai le batterie in bocca. In caso di ingestione, contatta il tuo medico o il controllo antiveneni locale.
- In condizioni abusive, non contattare mai la batteria da cui potrebbe essere espulso il liquido. In caso di contatto accidentale, sciacqua con acqua. Se il liquido viene a contatto con gli occhi, consulta immediatamente un medico. Il liquido espulso dalla batteria può causare irritazioni o ustioni.

Informazioni RAEE



Tutti i prodotti contrassegnati da questo simbolo sono rifiuti di apparecchiature elettriche ed elettroniche (RAEE in base alla direttiva 2012/19/UE) che non devono essere smaltiti assieme a rifiuti domestici non differenziati. Al contrario, è necessario proteggere l'ambiente e la salute umana consegnando i rifiuti a un punto di raccolta autorizzato al riciclaggio di rifiuti di apparecchiature elettriche ed elettroniche, predisposto dalla pubblica amministrazione o dalle autorità locali. Lo smaltimento e il riciclaggio corretti aiutano a prevenire conseguenze potenzialmente negative all'ambiente e alla salute umana. Contattare l'installatore o le autorità locali per ulteriori informazioni sulla sede e per i termini e le condizioni di tali punti di raccolta.

Instrucciones de Seguridad Importantes Uso Doméstico Sólo

- Lea este manual detenidamente antes de usar el aspirador y guárdelo para su consulta en el futuro.
- Al usar un aparato eléctrico, siempre se deben seguir las precauciones básicas, incluidas las siguientes:
- LEA TODAS LAS INSTRUCCIONES ANTES DE USO (DE ESTE APARATO). El incumplimiento de las advertencias e instrucciones puede provocar descargas eléctricas, incendios y / o lesiones graves.

ADVERTENCIA- Para reducir el riesgo de incendio, descarga eléctrica o lesiones:

- Utilícelo únicamente como se describe en este manual del usuario. Utilice solo los accesorios recomendados por el fabricante.
- Utilícelo únicamente en interiores y sobre pisos sin alfombras, como por ejemplo vinilo, baldosas, madera sellada, etc. Tenga cuidado de no pasar por encima de objetos sueltos o bordes de tapetes. Cepillo atrapado puede causar falla prematura de la correa.
- Este producto no debe ser utilizado por niños menores de 8 años ni por personas con deficiencias físicas, sensoriales o intelectuales, o experiencia o conocimientos limitados, sin la supervisión de un progenitor o un tutor legal que pueda garantizar un funcionamiento seguro y evitar riesgos. La limpieza y el mantenimiento no deben ser realizados por menores sin supervisión.
- Este electrodoméstico no está diseñado para que lo usen personas (incluidos los niños) con capacidades físicas, sensoriales o mentales reducidas, o falta de experiencia y conocimiento, a menos que una persona responsable de su seguridad les haya supervisado o instruido sobre el uso del electrodoméstico.
- No use líquidos inflamables o combustibles para limpiar los pisos.
- No lo use para recoger líquidos inflamables o combustibles, como gasolina. No lo use en áreas donde pueda haber líquidos inflamables o combustibles.
- Para cargar la batería, utilice únicamente el adaptador desmontable provisto con este aparato. Utilice solo con el adaptador <YLS0251B-E260090>.
- Un adaptador que sea adecuado para un tipo de paquete de baterías puede crear riesgo de incendio al usarse con otro paquete de baterías.
- No sumerja el aparato en líquido.
- La película plástica puede causar peligro. Para evitar asfixia, manténgala alejado de los niños.
- Mantenga el cabello, la ropa suelta, los dedos y todas las partes de su cuerpo alejados de las aberturas y las partes móviles del aparato y sus accesorios.
- Utilice únicamente el tipo y el volumen de líquidos especificados en la sección de operaciones de este manual. El líquido no debe dirigirse hacia equipos que contengan componentes eléctricos.
- No coloque ningún objeto en las aberturas. No utilice el aparato cuando alguna abertura esté bloqueada; manténgalo libre de polvo, pelusa, cabello y cualquier cosa

Información de Seguridad

que pueda impedir el flujo de aire.

- No lo use sin los filtros instalados correctamente.
- No utilice el aparato con un adaptador dañado. Si el adaptador está dañado, debe ser reemplazado por el fabricante, un agente de servicio u otras personas cualificadas para evitar riesgos.
- No recoja material tóxico (blanqueador con cloro, amoníaco, líquido limpiador de desagües, etc.). No recoja objetos duros o afilados como vidrio, clavos, tornillos, monedas, etc.
- No utilice el aparato en un espacio cerrado lleno de vapor emitido por pintura a base de aceite, disolvente de pintura, sustancias a prueba de polillas, polvo inflamable u otros vapores explosivos o tóxicos. No recoja ningún objeto que se esté quemando o humeando, como cigarrillos, fósforos o cenizas calientes.
- Siga todas las instrucciones de carga y no cargue el aparato fuera del rango de temperatura especificado en la batería, ya que hacerlo aumenta el riesgo de incendio.
- Los terminales de salida de la base de carga no deben cortocircuitarse. No lo utilice con base de cargador dañada. Si el aparato se ha caído, dañado, dejado al aire libre, sumergido en agua o no funciona como debería, devuélvalo a un centro de servicio.
- Mantenga el cable del adaptador alejado de superficies calientes. No toque el enchufe del adaptador ni el aparato con manos mojadas. Para desenchufar, tire por el enchufe del adaptador, no por el cable.
- No arrastre ni traslade el adaptador tomándolo por el cable, no utilice el cable como manija, no cierre la puerta por encima del cable ni jale el cable alrededor de esquinas o bordes afilados.
- Apague el aparato cuando no está en uso, antes de limpieza, mantenimiento o reparación y antes de conectar o desconectarlo con un cepillo en movimiento.
- No utilice electrodomésticos que estén dañados o modificados. Baterías dañadas o modificadas pueden provocar actos impredecibles que resulten en fuego, explosión o riesgo de lesiones.
- No exponga el aparato al fuego ni a temperaturas excesivas. Exponerlo a fuego o a una temperatura excesiva puede provocar explosión.
- Asegúrese de que el aparato esté colocado sobre una superficie horizontal. No utilice el aparato en el mismo puesto si el aparato cuenta con un cepillo de rodillo y el asa no está en posición completamente vertical. No guarde el aparato en un lugar donde pueda congelarse.
- Tenga especial cuidado al limpiar escaleras.
- Para evitar arranque involuntario, asegúrese de que el interruptor esté en la posición APAGADO antes de levantar o transportar el aparato. Llevar el aparato con el dedo puesto en el interruptor o cargarlo con el interruptor en encendido puede provocar accidentes.
- Este producto contiene baterías que solo pueden ser reemplazadas por técnicos calificados o servicio posventa.

Safety Information

GUARDE ESTAS INSTRUCCIONES CONSIDERACIONES IMPORTANTES

- El servicio debe ser realizado por un técnico calificado que utilice únicamente piezas de repuesto idénticas. Esto asegura que se mantiene la seguridad del producto.
- No modifique ni intente reparar el aparato salvo que se indique en las instrucciones de uso y cuidado.
- No lo utilice en ambientes extremadamente cálidos o fríos (por debajo de 0°C /32° F o sobre 40° C/104° F). Cargue el aparato a una temperatura superior a 0°C /32° F e inferior a 40°C /104° F).
- Si el aparato se ha caído, dañado, dejado al aire libre, sumergido en agua o no funciona como debería, no intente utilizarlo. Mandélo a ser reparado a un centro de servicio autorizado.

 unidad de suministro desmontable



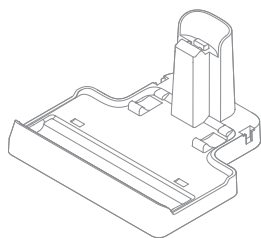
leer el manual del operador

Nosotros, Dreame Trading (Tianjin) Co., Ltd., por la presente, declaramos que el equipo cumple con las Directivas y Normas Europeas aplicables y las enmiendas. Encontrará el texto completo de la declaración de conformidad de la UE en esta dirección de Internet: <https://global.dreametech.com>

Para un manual electrónico detallado, vaya a <https://global.dreametech.com/pages/user-manuals-and-faqs>

Descripción del producto

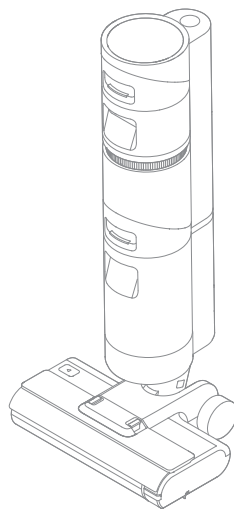
Lista de paquete



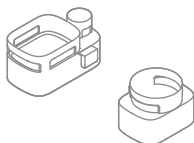
Base de carga



Asa



Cuerpo principal



Recipiente de
Accesorios



Cepillo
limpiadora



Adaptador de
corriente



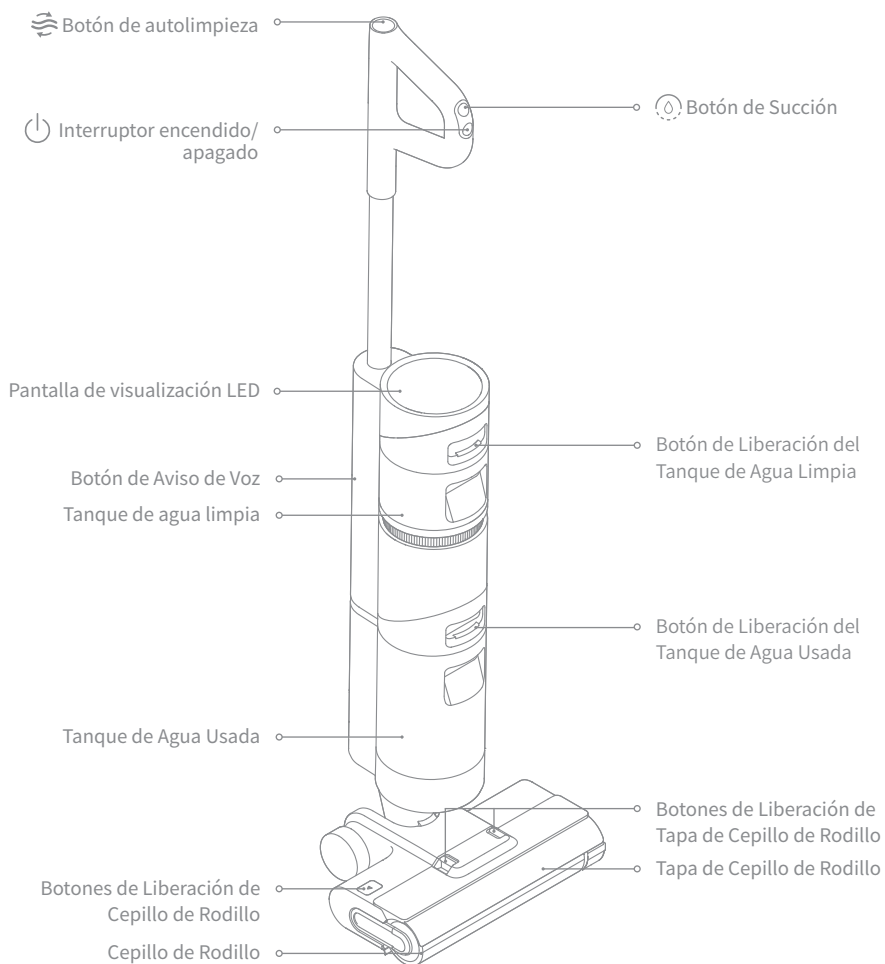
Cepillo de Rodillo de
Repuesto



Filtro de Repuesto

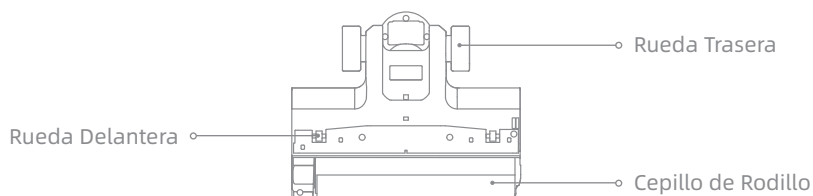
Descripción del producto

Aspirador

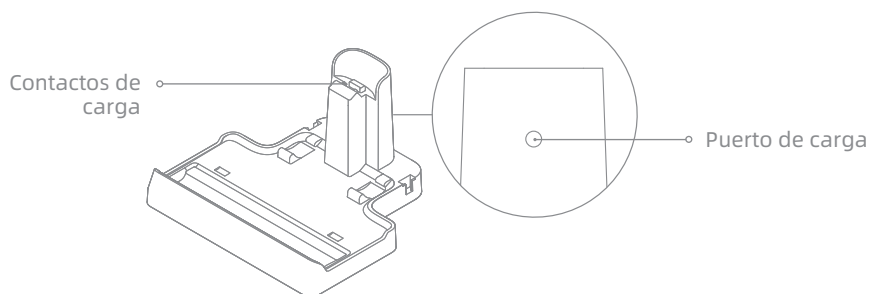


Descripción del producto

Conjunto de Cepillo

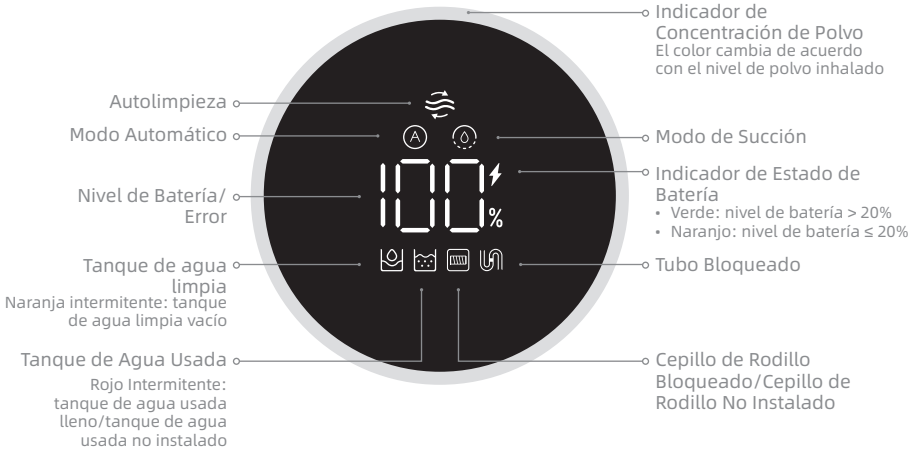


Base de carga

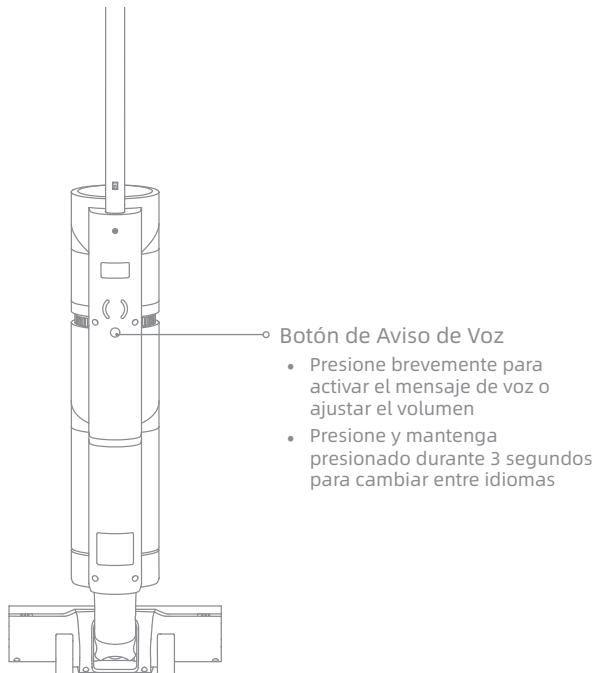


Descripción del producto

Pantalla de visualización



Botón de Aviso de Voz



Instalación del Recipiente de Accesorios

Instale el recipiente de accesorios en la base de carga como se indica.

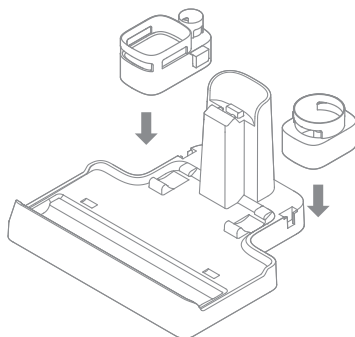
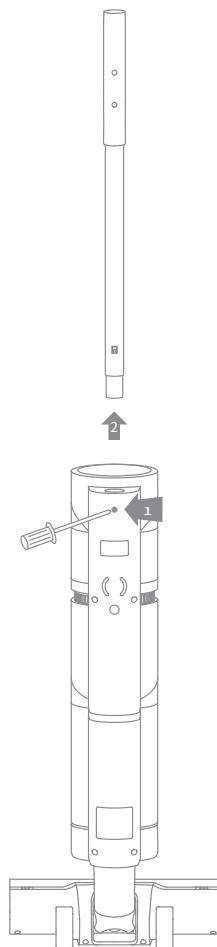
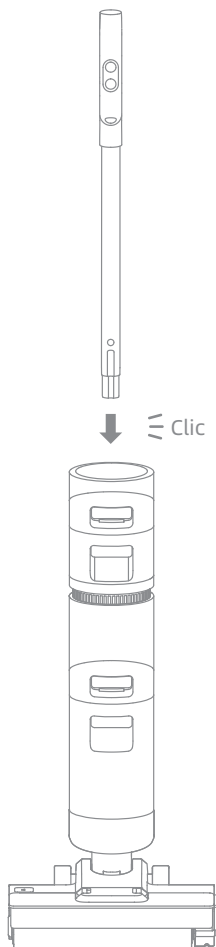


Diagrama de instalación de aspirador

Inserte el extremo del asa verticalmente en el puerto ubicado en la parte superior del aspirador como se indica, y asegure que haya encajado bien en su lugar.

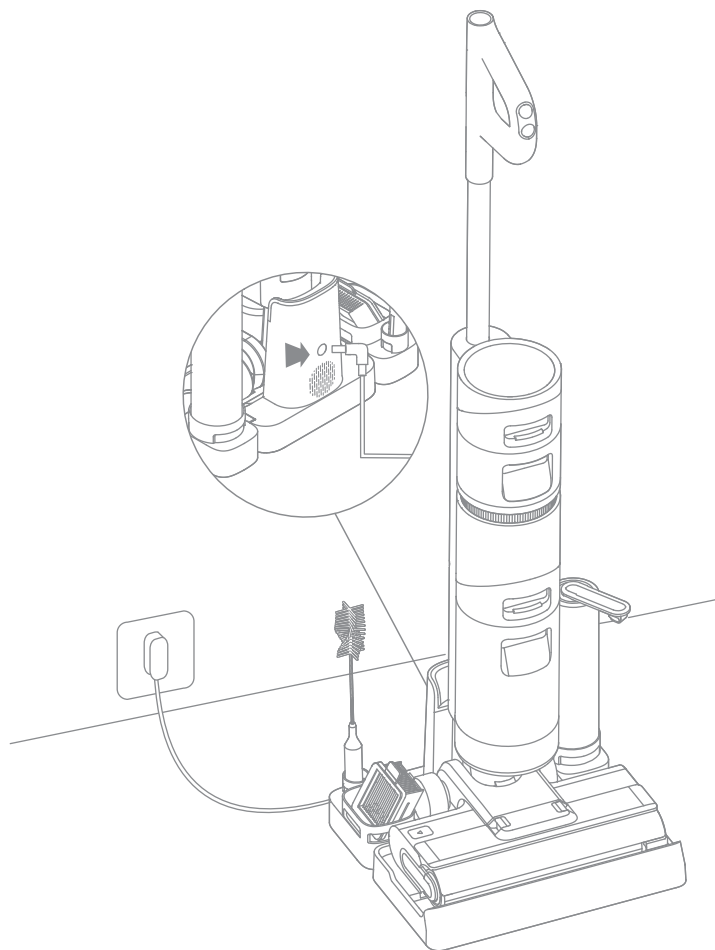
Nota: Para desmontar el asa, inserte un objeto duro al orificio en la parte posterior del aspirador para presionar el contacto y, al mismo tiempo, tire el asa hacia arriba.



Cargando

Nota: Cargue completamente el aspirador antes de primer uso.

1. Coloque la base de carga en el suelo nivelado contra una pared. Conecte un extremo del adaptador de corriente a la base de carga y el otro a una toma de corriente.
2. Coloque el aspirador en la base de carga, ⚡ en la pantalla se iluminará para indicar el estado de carga. El número en la pantalla representa el nivel actual de la batería en porcentaje durante la carga. Cuando el número sea 100, la batería estará completamente cargada y ⚡ se apagará. Si no se realiza ninguna operación en 10 segundos, la pantalla se apagará automáticamente.

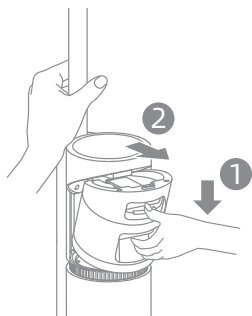


Nota: Después de 15 minutos de inactividad tras una carga completa, el aspirador comienza a dormir.

Instrucción del Uso

Llenar el Tanque de Agua Limpia

1. Presione el botón de liberación del tanque de agua limpia y tire del tanque hacia afuera para quitarlo.



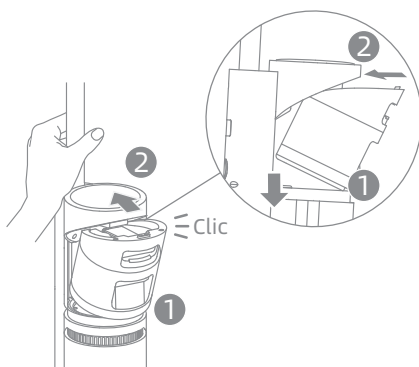
2. Abra la tapa del tanque y agregue suficiente agua limpia al tanque de agua limpia.




3. Cierre bien la tapa del tanque.

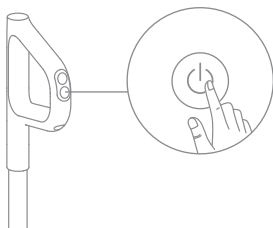


4. Instale el tanque de agua limpia y asegúrese de que encaje bien en su lugar.

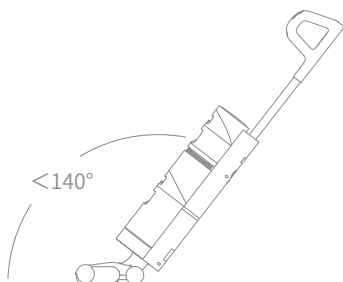


Iniciar Limpieza

Presione brevemente el botón  para encenderlo y el aspirador comenzará a limpiar. El aspirador viene con un interruptor vertical/reclinable. Pise suavemente la tapa del cepillo y recline el aspirador hacia atrás para comenzar a operarlo. Si el aspirador está en posición vertical mientras trabaja, la tarea actual se suspenderá.



Nota: Cuando el aspirador está trabajando, no la levante del suelo ni la mueva, no la incline a un lado ni la coloque en posición horizontal, para impedir que agua sucia regrese a la aspirador.



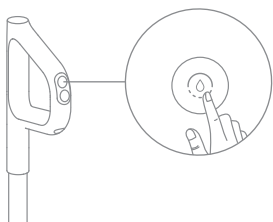
No recline el aspirador más de 140° para impedir fugas de agua.
No lo use para aspirar líquidos espumosos.

Modo Automático/Modo de Succión

El aspirador se enciende en el modo automático de forma predeterminada, usted puede cambiar al modo de succión según sus necesidades.

Modo Automático: el aspirador ajustará la potencia de succión de acuerdo con las manchas en el suelo.

Modo de Succión: el aspirador puede limpiar las manchas de agua en el piso.



Cuidado y mantenimiento

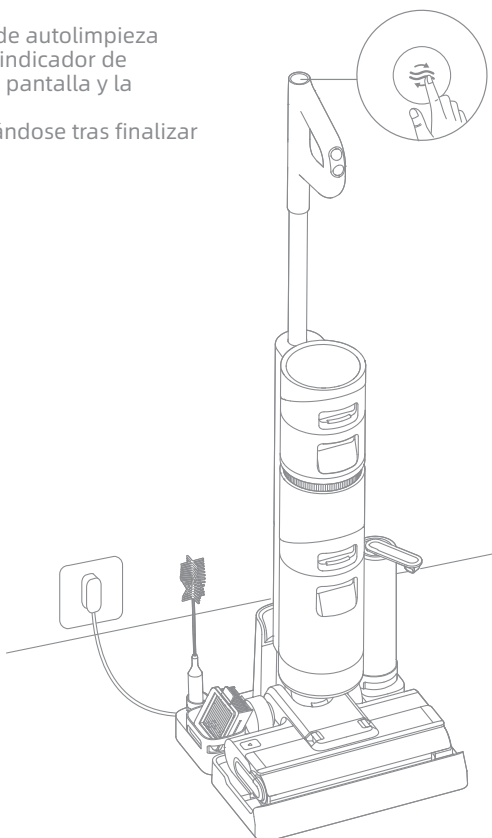
Consejos:

1. Apague el aspirador antes del cuidado y mantenimiento.
2. Las piezas deben ser reemplazadas si es necesario. Utilice solamente las piezas designadas por la fábrica original para evitar daños al producto por incompatibilidad.
3. Si el aspirador no se va a usar durante un período prolongado, cárguelo completamente, desenchufe el cargador y guárdelos en un ambiente fresco, con poca humedad y sin exposición directa al sol. Para evitar una descarga excesiva de la batería, recargue la aspiradora al menos una vez cada 3 meses.

Autolimpieza de un Solo Toque

* La función de autolimpieza sólo se puede activar cuando el aspirador está cargado y el nivel de la batería está superior al 15%.

1. Coloque el aspirador en posición vertical en la base de carga después de las limpiezas designadas y asegúrese de que el tanque de agua limpia esté lleno.
2. Presione brevemente el botón de autolimpieza en la parte superior del asa. El indicador de autolimpieza se enciende en la pantalla y la autolimpieza comienza.
3. El aspirador continuará recargándose tras finalizar la autolimpieza.



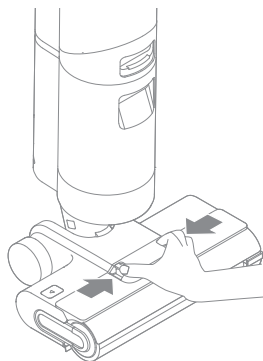
Note: Después de que el aspirador complete la autolimpieza, limpie el tanque de agua usada de inmediato. Si quedan manchas en la base de carga, por favor límpiela.

Cuidado y Mantenimiento

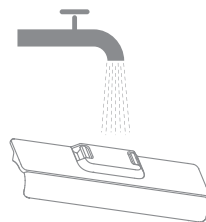
Limpeza de la cubierta del cepillo cilíndrico

* Límpielo cuando sea necesario.

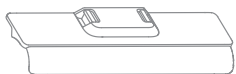
1. Presione los botones de liberación de la cubierta del rodillo del cepillo en ambos extremos hacia adentro para quitar la cubierta.



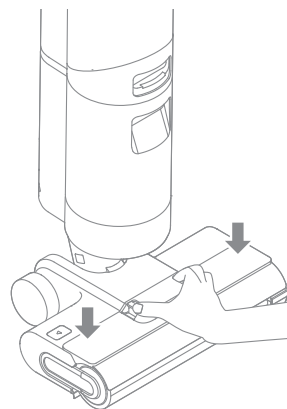
2. Enjuague la tapa con agua limpia o límpiela con un paño.



3. La tapa debe secarse completamente antes de uso.



4. Vuelva a instalar la tapa.

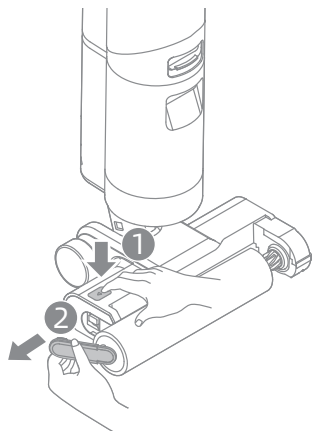


Cuidado y Mantenimiento

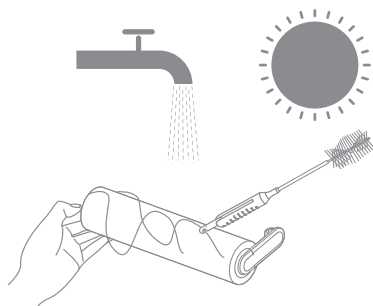
Limpieza de Tapa de Cepillo de Rodillo

* Límpielo cuando sea necesario. Se recomienda reemplazarlo cada 3 a 6 meses.

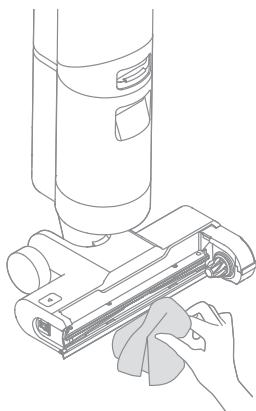
1. Presione el botón de liberación del cepillo de rodillo y el asa saldrá. Tire de ella para sacar el cepillo de rodillo.



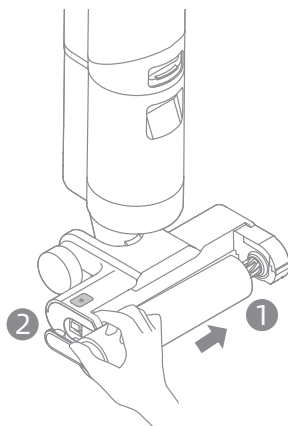
2. Quite los pelos y la suciedad enredados en el cepillo de rodillo con el cepillo de limpieza provisto. Enjuague el cepillo de rodillo con agua limpia y séquelo por completo.



3. Elimine el polvo en la entrada de polvo con un paño seco o una toalla de papel. Nunca la enjuague con agua.



4. Después de limpiar el cepillo cilíndrico, alinee y empuje el extremo derecho en la ranura derecha del conjunto del cepillo y presione el mango del cepillo cilíndrico en la ranura izquierda del conjunto del cepillo.

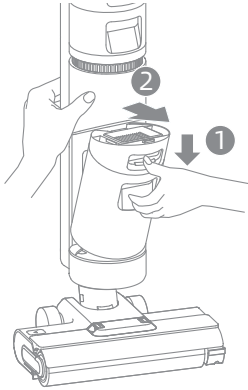


Cuidado y Mantenimiento

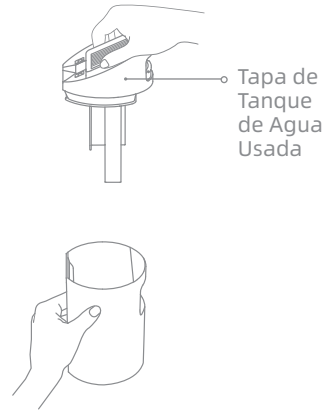
Limpieza del tanque de agua usada

* Se recomienda limpiar el depósito de agua usada después de cada uso y antes y después de activar la función de autolimpieza.

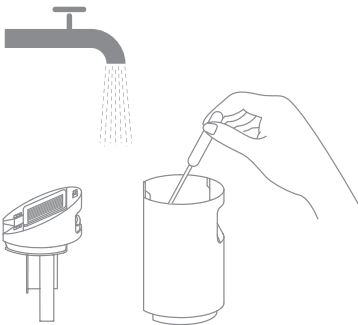
1. Presione el botón de liberación del tanque de agua usada y tire del tanque de agua usada hacia afuera para sacarlo.



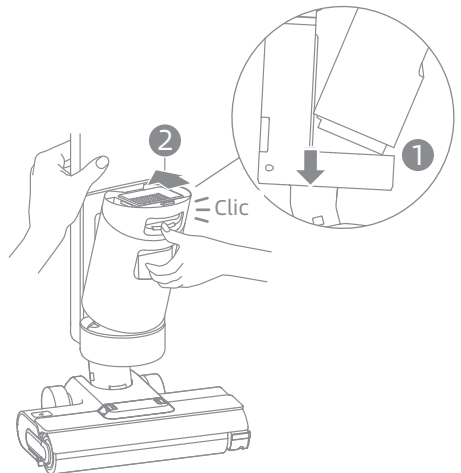
2. Sostenga el tanque de agua usada y quite la tapa. Vierta las aguas residuales.



3. Enjuague el tanque de agua usada y su tapa con agua limpia. Limpie la pared interna del tanque con el cepillo provisto.



4. Una vez finalizada la limpieza, cierre la tapa del tanque, encaje la parte inferior del tanque en la posición de apoyo del aspirador y luego empuje suavemente el tanque hasta que usted escuche el sonido de un clic, lo cual indica que está en su lugar.

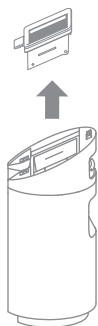


Cuidado y Mantenimiento

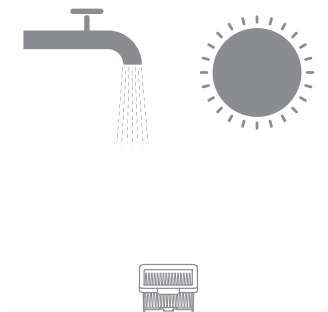
Limpiar el Filtro

*Reemplácelo cada 3 a 6 meses.

1. Retire el filtro de la parte superior del tanque de agua usada.

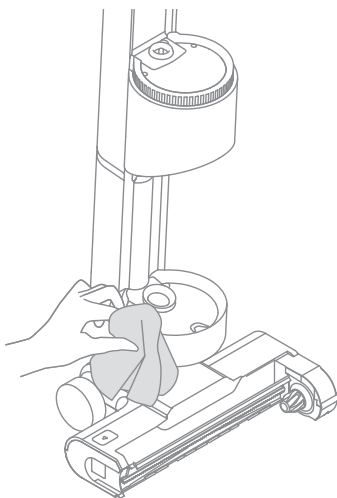


2. Si el filtro está sucio, enjuáguelo con agua limpia y séquelo completamente antes de usarlo.



Limpiar el Tubo

Retire el tanque de agua usado, límpielo con un paño húmedo para limpiar el tubo antes de usarlo.



Preguntas Más Frecuentes





Error	Causa Posible	Solución
El aspirador no funciona.	El asa no está instalada en su lugar.	Vuelva a instalar el asa.
	El aspirador no tiene o tiene poca energía.	Cargue completamente su batería antes de usar.
	El aspirador está en posición vertical.	Reclina el aspirador.
	El cepillo de rodillo no está instalado correctamente, o el cepillo está enredado con pelos y no se puede girar.	Vuelva a instalar o limpie el cepillo de rodillo.
	El tanque de agua usada no está instalado correctamente.	Vuelva a instalar el tanque de agua usada.
	El tanque de agua usada está lleno.	Vacíe el tanque de agua usada.
Potencia de succión débil.	El filtro está obstruido.	Límpie el filtro.
	La tapa del cepillo de rodillo, el filtro o el tanque de agua limpia no están instalados correctamente.	Instale la tapa del cepillo de rodillo, el filtro y el tanque de agua limpia correctamente antes de usarlo.
	El cepillo de rodillo está enredado con pelos.	Consulte la sección [Limpieza del Cepillo de Rodillo] de la guía de mantenimiento.
	Hay objetos extraños en el tubo o el tubo está bloqueado.	Límpie el tubo.
El motor produce un ruido extraño.	Demasiada agua sucia en el tanque de agua usada.	Vacíe el tanque de agua usada.
	La boquilla de succión principal está bloqueada.	Elimine cualquier obstrucción en la boquilla de succión principal.
El indicador de estado de la batería no se ilumina durante la carga.	El adaptador no está enchufado a la toma de corriente.	Asegúrese de que el adaptador de corriente esté enchufado correctamente.
	El adaptador de corriente no está conectado correctamente a la base de carga.	Asegúrese de que estén conectados correctamente.

Preguntas Más Frecuentes

Error	Causa Posible	Solución
El indicador de estado de la batería no se ilumina durante la carga.	La base de carga no está conectada al aspirador	Asegúrese de que el aspirador esté en su lugar.
No sale agua del cepillo del aspirador.	El tanque de agua limpia no se ha instalado correctamente o está vacío.	Reinstale o llene el tanque de agua limpia.
Fuga de agua por la parte superior del tanque de agua sucia.	Una colisión o un tirón brusco causa que entre agua en el motor.	Muévalo suavemente al usar el aspirador.
	El filtro no está completamente seco después de ser limpiado.	Seque completamente el filtro antes de usarlo.
Autolimpieza fracasó.	El cepillo de rodillo puede estar bloqueado por partículas grandes.	Abra la tapa del cepillo de rodillo para comprobar y limpiar el cepillo de rodillo.
	El aspirador no se está cargando.	Asegúrese de que el aspirador esté cargado antes de activar autolimpieza.
	La autolimpieza no se puede iniciar si el nivel de la batería está inferior al 15%.	La función de autolimpieza sólo se puede activar cuando el aspirador está cargado y el nivel de la batería está superior al 15%.
	El tanque de agua usada no está instalado correctamente o está lleno.	Vuelva a instalar o vacíe el tanque de agua usada.
	El tanque de agua limpia no se ha instalado correctamente o está vacío.	Reinstale o llene el tanque de agua limpia.

Indicación de fallo

Si la aspiradora no funciona con normalidad, en la pantalla aparecerá un mensaje de error. Consulte la tabla siguiente para encontrar la solución al problema en función del mensaje de error.

Icono del error	Causa Posible	Soluciones
	Agua insuficiente en el tanque de agua limpia	Llene el tanque de agua limpia.
	Tanque de agua usada no instalado	Instale el tanque de agua usada.
	Tanque de agua usado lleno	Vacíe el tanque de agua usada.
	Cepillo de rodillo bloqueado	Limpie el cepillo de rodillo con el cepillo de limpieza provisto.
	Rodillo de cepillo no instalado	Instale el cepillo de rodillo.
	Tubo Bloqueado	Por favor compruebe si el filtro está obstruido.
		Consulte la sección [Limpiar el Tubo] del manual de mantenimiento.

Código de fallo	Causa Posible	Soluciones
E1/EE/EF	Error de motor	Comuníquese con el servicio de atención al cliente.
E2/E3/E7/E8/E9	Falla de batería	Comuníquese con el servicio de atención al cliente.
E4/E5	Adaptador de corriente incompatible	Utilice el adaptador de corriente original o póngase en contacto con servicio al cliente.
E6	Sobrecalentamiento de batería	Espere hasta que la temperatura de la batería vuelva a la normalidad.

Lavadora de Piso de Vacío Seco y Húmedo			
Modelo	HHR14B	Tiempo de carga	Aprox. 5 horas
Voltaje nominal	21,6 V ---	Voltaje de carga	26 V ---
Potencia nominal	200 W	Capacidad Nominal	3650 mAh
Capacidad Nominal	4000 mAh	Capacidad del Tanque de Agua Usada	500 mL
Capacidad de tanque de agua limpia	900 mL		
Adaptador de corriente			
Modelo	YLS0251B-E260090	Eficiencia activa media	87,28%
Entrada	100-240 V \sim 50/60 Hz 0,8 A Max	Eficiencia a baja carga (10%)	79,74%
Salida	26 V --- 0,9 A	Consumo de energía sin carga	0,08 W

- El paquete de baterías de iones de litio contiene sustancias que son peligrosas para el medio ambiente. Antes de desechar el electrodoméstico, primero retire el paquete de baterías y luego deséchelo o reciclelo de acuerdo con las leyes y regulaciones locales del país o región en el que se usa.
- El aparato debe estar desconectado de la fuente de alimentación al retirar la batería. Mantenga las baterías fuera del alcance de los niños. Nunca ponga las baterías en la boca. Si se ingiere, comuníquese con su médico o con el control local de envenenamiento.
- En condiciones abusivas, nunca toque la batería de la que puede salir líquido. Si ocurre contacto accidentalmente, enjuague con agua. Si el líquido entra en contacto con los ojos, busque ayuda médica inmediatamente. El líquido divulgado de la batería puede causar irritación o quemaduras.

Información sobre RAEE



Todos los productos que llevan este símbolo son residuos de aparatos eléctricos y electrónicos (RAEE según la directiva 2012/19/UE) que no deben mezclarse con residuos domésticos sin clasificar. En su lugar, debe proteger la salud humana y el medio ambiente entregando sus equipos de desecho a un punto de recogida para el reciclaje de residuos de equipos eléctricos y electrónicos, designado por el gobierno o las autoridades locales. La eliminación y el reciclado correctos ayudarán a evitar posibles consecuencias negativas para el medio ambiente y la salud humana. Póngase en contacto con el instalador o con las autoridades locales para obtener más información sobre la ubicación y las condiciones de dichos puntos de recogida.

Меры предосторожности

Важные меры предосторожности Только для бытового использования

- Перед использованием внимательно прочтите данную инструкцию. Сохраните ее для дальнейшего использования в справочных целях.
- Во время использования электрических приборов необходимо всегда соблюдать базовые меры предосторожности, включая следующие:
- **ПЕРЕД ИСПОЛЬЗОВАНИЕМ (ДАННОГО ПРИБОРА) ПРОЧИТИТЕ ВСЕ ИНСТРУКЦИИ.** Нарушение предупреждений и инструкций может привести к поражению током, возгоранию или серьезным травмам.

ПРЕДУПРЕЖДЕНИЕ! Для снижения риска возгорания, поражения током или травм:

- Используйте прибор только согласно инструкциям в руководстве по эксплуатации. Используйте только аксессуары, рекомендованные производителем.
- Используйте прибор только в помещении и на таких нековровых поверхностях, как ПВХ, плитка, ламинат и др. Пылесос не должен проезжать по неплотным поверхностям либо вдоль краев ковров. Заклинивание щетки может привести к повреждению ремня раньше срока.
- Не допускается использование этого изделия детьми младше 8 лет, а также лицами с ограниченными физическими, сенсорными или умственными способностями или с ограниченным опытом или знаниями без присмотра родителя или опекуна для обеспечения безопасной эксплуатации и во избежание рисков. Не позволяйте детям осуществлять чистку и техническое обслуживание устройства без присмотра.
- Данный прибор не предназначен для использования лицами (включая детей) с ограниченными физическими, чувственными и умственными способностями, а также лицами без надлежащего опыта и знаний до того, как им будет подробно разъяснен способ использования данного прибора лицом, отвечающим за их безопасность.
- Запрещается использовать для уборки полов легко воспламеняющиеся или горючие жидкости.
- Запрещается использовать прибор для уборки легко воспламеняющихся или горючих жидкостей, например бензина. Запрещается использовать в местах, где могут быть вышеуказанные жидкости.
- Используйте только разъемный адаптер в комплекте с этим прибором для зарядки аккумулятора. Используйте только с адаптером <YLS0251B-E260090>.
- Адаптер, подходящий для одного типа аккумуляторного блока, может создать риск возгорания при использовании с другим аккумуляторным блоком.
- Пластиковый защитный материал может быть опасен. Не храните его рядом с детьми во избежание удушья.
- Держите волосы, свободную одежду, пальцы и другие части тела на расстоянии от отверстий и движущихся деталей прибора и его аксессуаров.
- Жидкости должны использоваться в строгом соответствии с типом и объемом, указанными в разделе управления прибором. Запрещается мочить электрические компоненты оборудования.
- Запрещается размещать предметы в отверстиях. Запрещается использовать прибор в случае засорения отверстия. Поддерживайте проходимость воздуха через отверстия и удаляйте пыль, ворсинки, волосы и другие элементы.

Меры предосторожности

- Запрещается использовать прибор без установленных фильтров.
- Запрещается использовать прибор с поврежденным адаптером. В случае повреждения адаптера необходимо произвести его замену у производителя, специалистов по обслуживанию либо у аналогичного квалифицированного персонала во избежание опасностей.
- Не используйте пылесос для уборки токсичных веществ (например отбеливатель, аммиак, пятновыводитель и др.). Запрещается собирать с помощью пылесоса стекло, гвозди, болты, монеты и др.
- Запрещается использовать прибор в местах испарения масляной краски и других субстанций. Запрещается собирать горячие либо дымящиеся предметы, например сигареты, спички либо пепел.
- Следуйте инструкциям по зарядке и не заряжайте прибор в среде с температурой выше указанной на аккумуляторе, так как это повышает риск возгорания.
- Необходимо избегать короткого замыкания выходных терминалов базы для зарядки. Запрещается использовать с поврежденной базой для зарядки. Если прибор подвергался ударам, был поврежден, оставлен на улице, попал в воду либо не работает как следует, верните его в сервисный центр.
- Держите кабель адаптера вдали от нагретых поверхностей. Запрещается трогать наконечник адаптера и прибор влажными руками. Чтобы вытащить адаптер, возьмитесь плотно за наконечник, а не дергайте за кабель.
- Запрещается вытаскивать или вставлять адаптер с помощью кабеля, а также использовать кабель в качестве ручки, прижимать его дверью либо обматывать вокруг острых краев или углов.
- Выключайте пылесос, когда он не используется, а также перед очисткой, ремонтом или сервисным обслуживанием и до подключения либо после подключения инструмента к вращающейся щетке.
- Запрещается использовать поврежденный или модифицированный прибор. Испорченные либо модифицированные аккумуляторы могут вести себя непредсказуемо, что может вызвать возгорание, взрыв либо риск получения травм.
- Запрещается подвергать прибор воздействию огня либо высокой температуры. При контакте с огнем или при высокой температуре может произойти взрыв.
- Убедитесь, что прибор размещен на горизонтальной поверхности. Запрещается использовать прибор в аналогичной позиции, если роликовая щетка или ручка находятся не вертикально. Запрещается хранить прибор в месте с риском заморозки.
- Будьте предельно осторожны во время очистки лестницы.
- Не допускайте непреднамеренных запусков. Перед тем, как поднимать либо переносить прибор убедитесь, что выключатель находится в позиции ВЫКЛ. Перенос прибора с зажимом выключателя либо во включенном состоянии может привести к несчастным случаям.
- Данное изделие оснащено аккумулятором, замену которого должны выполнять только квалифицированные технические специалисты или представители послепродажного обслуживания.

Меры предосторожности

НЕ ВЫБРАСЫВАЙТЕ РУКОВОДСТВО ВАЖНЫЕ МЕРЫ ПРЕДОСТОРОЖНОСТИ

- Выполняйте техобслуживание только с помощью квалифицированного персонала и используйте только идентичные детали для замены. Это позволит гарантировать безопасность изделия.
- Запрещается модифицировать либо чинить прибор способами, отличными от указанных в руководстве по использованию и уходу.
- Запрещается использовать прибор при экстремальной температуре (ниже 0°C или выше 40°C). Выполняйте зарядку прибора при температуре выше 0°C и ниже 40°C.
- Запрещается пытаться использовать прибор, если он был поврежден, подвергался падениям либо был оставлен на улице, падал в воду либо не работает надлежащим образом. Проводите ремонт в авторизованном сервисном центре.
- Данное изделие предназначено только для домашнего использования. Меры предосторожности при хранении и транспортировке:
- Не транспортируйте пылесос при температуре выше 50 °C или ниже -20 °C.
- В случае краткосрочного хранения, например одного месяца, пылесос рекомендуется хранить при температуре от -20 °C до 50 °C и относительной влажности 60% ± 5%. В случае длительного хранения пылесос рекомендуется хранить при температуре окружающей среды от 0 °C до 40 °C.
- Утилизируйте пылесос надлежащим образом. По окончании срока службы утилизируйте пылесос в соответствии с местными законами и нормативными актами страны/региона использования.
- Дату производ ва см. на этикетке со штрих-кодом.
- Гарантийный срок: 1 год
- Срок службы: 3 года

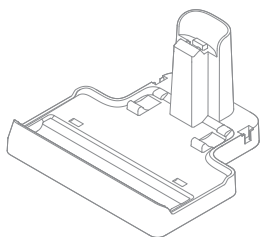
 съемный блок питания

 прочитайте руководство по эксплуатации

Мы, компания Dreame Trading (Tianjin) Co., Ltd., настоящим заявляем, что данное изделие соответствует требованиям всех действующих директив ЕС и европейских стандартов со всеми изменениями и дополнениями. Полный текст декларации о соответствии нормативным требованиям ЕС доступен по адресу: <https://global.dreametech.com>

Подробное электронное руководство см. по адресу
<https://global.dreametech.com/pages/user-manuals-and-faqs>

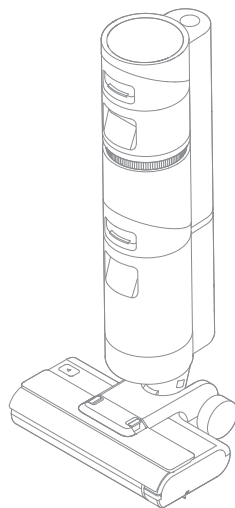
Комплектация



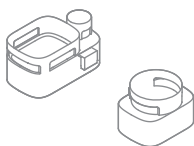
База для зарядки



Ручка



Корпус



Держатель для
аксессуара



Чистящая
щетка



Адаптер
питания



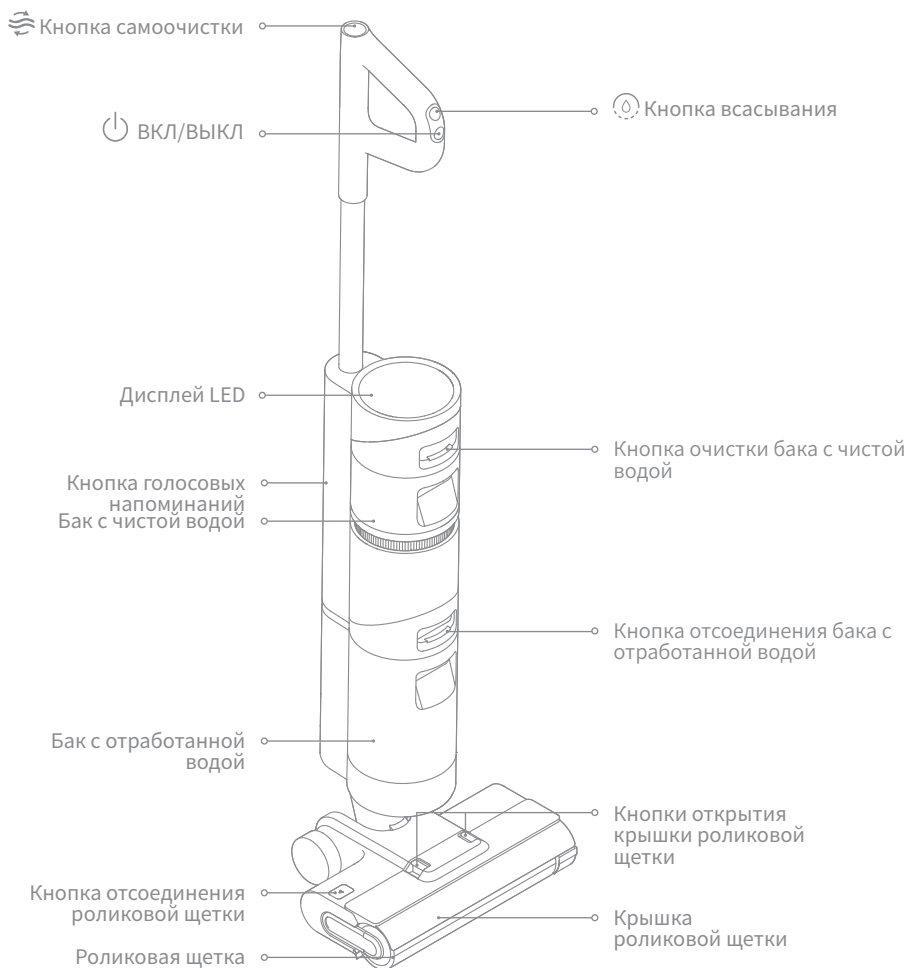
Запасная роликовая
щетка



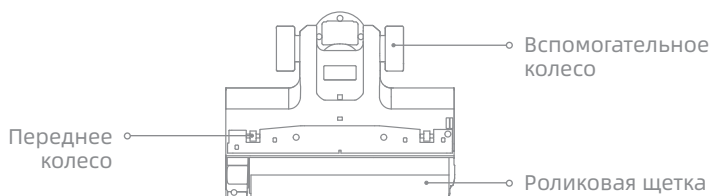
Сменный фильтр

Обзор изделия

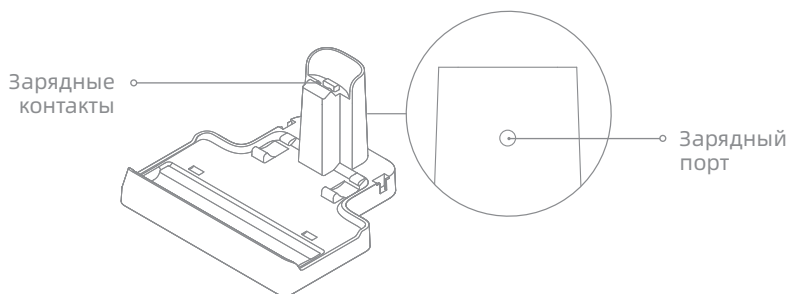
Пылесос



Модуль щетки

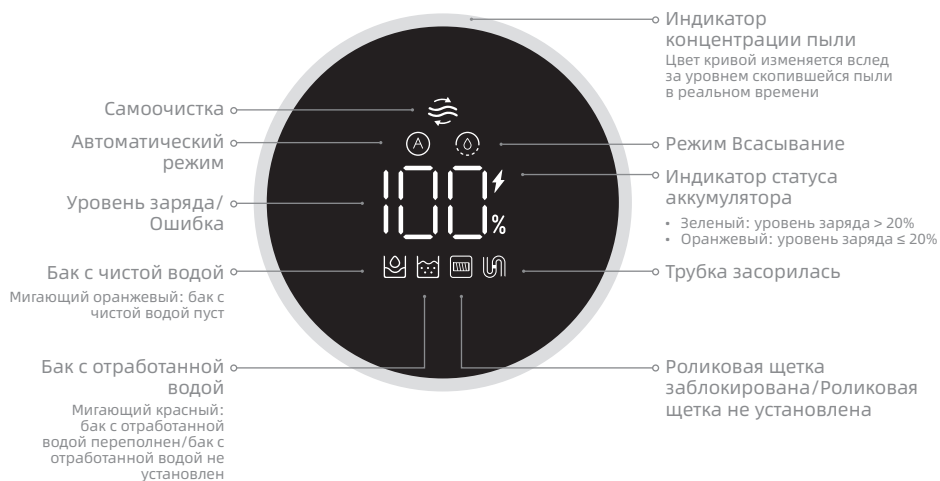


База для зарядки



Обзор изделия

Дисплей



Кнопка голосовых напоминаний



Установка

Установка держателя для аксессуара

Установите держатель для аксессуара на базе для зарядки согласно инструкциям.

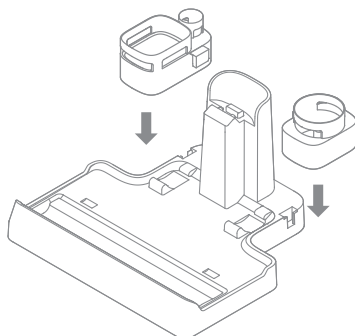
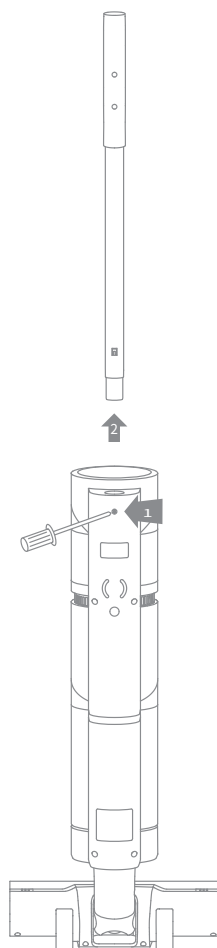


Схема установки пылесоса

Вставьте конец ручки в порт в верхней части пылесоса вертикально согласно инструкции, пока не раздастся щелчок об окончании установки.

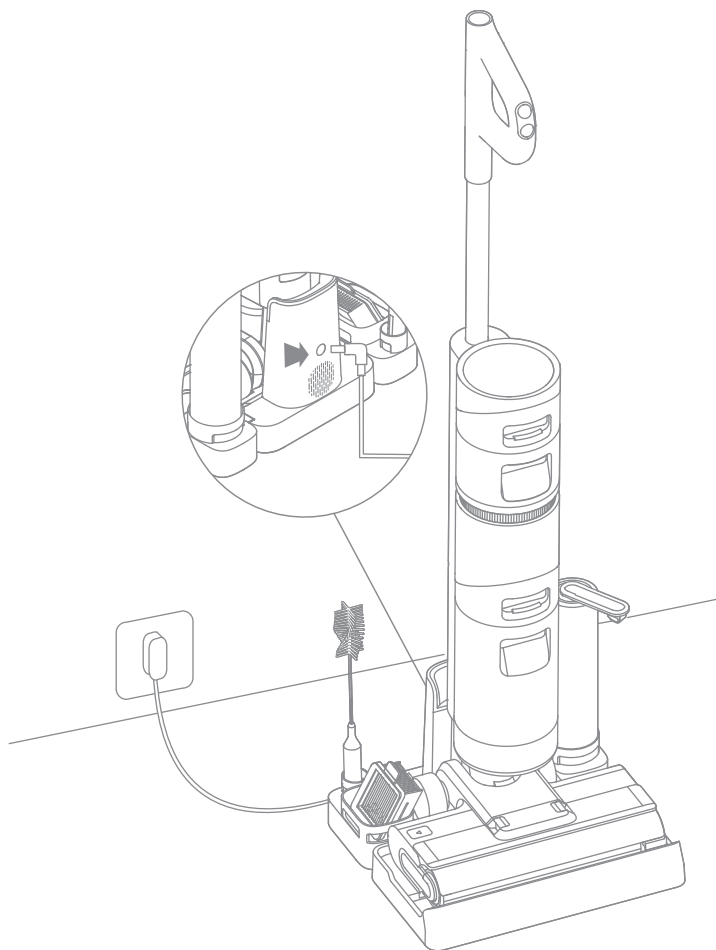
Примечание: Чтобы снять ручку, нажмите на контакт в отверстии задней части пылесоса и одновременно потяните ручку вверх.



Зарядка

Примечание. Перед первым использованием полностью зарядите пылесос.

1. Поместите базу для зарядки на горизонтальной поверхности перпендикулярно стене. Соедините конец адаптера питания с базой для зарядки, а другой конец вставьте в домашнюю розетку.
2. Разместите пылесос на базе для зарядки, для отображения статуса зарядки на экране загорится значок ⚡. В процессе зарядки цифра на дисплее будет показывать текущий уровень заряда аккумулятора в процентах. Цифра 100 означает, что аккумулятор полностью заряжен, тогда значок ⚡ погаснет. Если в течение 10 секунд не выполняются действия, экран погаснет автоматически.

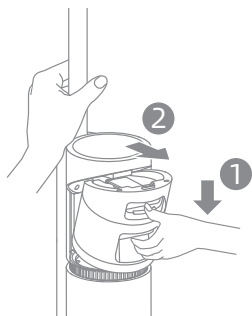


Примечание: После полной зарядки пылесос автоматически переходит в спящий режим, если нерабочее время превышает 15 минут.

Порядок использования

Заполнение бака с чистой водой

1. Нажмите на кнопку бака с чистой водой и потяните бак вперед, чтобы извлечь.



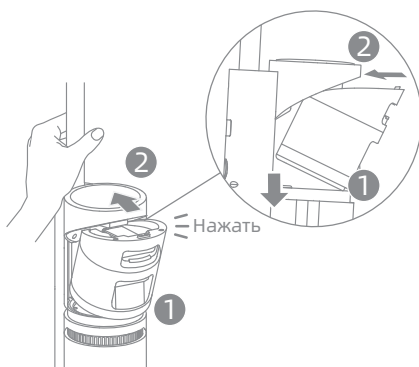
2. Откройте крышку бака и залейте необходимый объем чистой воды.




3. Плотно закройте крышку бака.

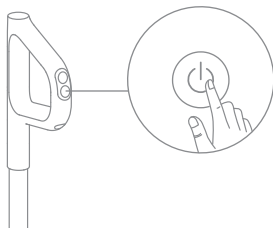


4. Установите бак с чистой водой на место так, чтобы раздался щелчок.

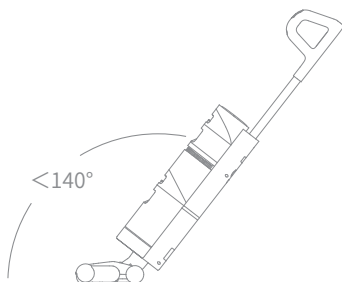


Начало уборки

Быстро нажмите на кнопку , чтобы включить пылесос и начать уборку. Пылесос оборудован переключателем вертикального/наклонного положения. Слегка наступите на крышку щетки и наклоните пылесос назад, чтобы начать работу. Если во время работы пылесос перейдет в вертикальное положение, текущая задача будет приостановлена.



Примечание: Во время работы пылесоса не поднимайте и не опускайте, а также не перемещайте пылесос. Также запрещается наклонять пылесос на одну сторону либо класть его на пол, чтобы отработанная вода не попадала внутрь пылесоса.



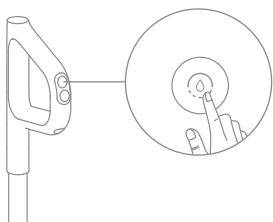
Не наклоняйте пылесос на угол более 140° для предотвращения протечки воды. Запрещается использовать для уборки пенящиеся жидкости.

Режим Авто/Режим Всасывание

Пылесос по умолчанию включается в режиме Авто. Вы можете переключиться на режим Всасывание по необходимости.

Режим авто: пылесос регулирует силу всасывания в зависимости от уровня загрязнений пятен на полу.

Режим Всасывание: Пылесос очищает водяные пятна на полу.



Обслуживание и ремонт

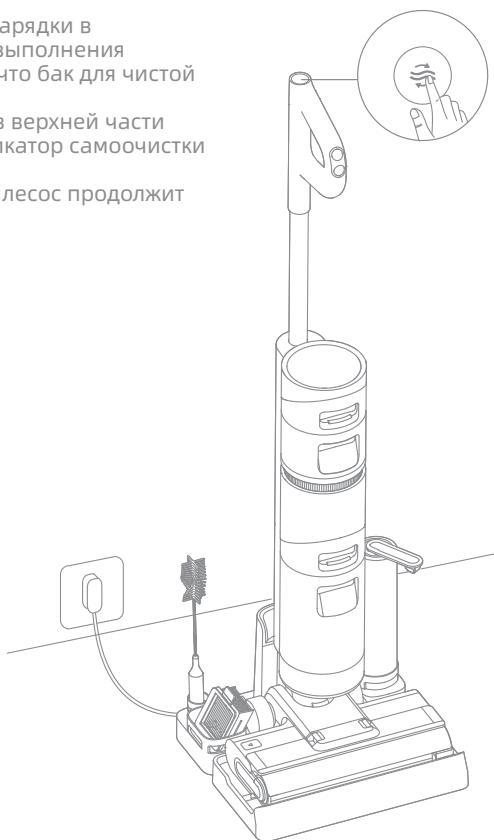
Инструкции:

1. Перед уходом и ремонтом выключите пылесос.
2. По необходимости может потребоваться заменить компоненты. Используйте компоненты, изготовленные на заводе-изготовителе во избежание повреждения изделия из-за несовместимости.
3. Если пылесос не используется продолжительное время, полностью зарядите его, отключите зарядное устройство и оставьте пылесос на хранение в прохладном месте вдали от солнечных лучей с низкой влажностью. Во избежание глубокой разрядки аккумулятора, проводите зарядку пылесоса минимум один раз в 3 месяца.

Самоочистка в одно нажатие

* Функция самоочистки может быть включена, только если пылесос заряжен и уровень заряда аккумулятора составляет более 15%.

1. Установите пылесос на базу для зарядки в вертикальном положении после выполнения назначенных задач и убедитесь, что бак для чистой воды заполнен.
2. Нажмите на кнопку самоочистки в верхней части ручки. На дисплее загорится индикатор самоочистки и начнется самоочистка.
3. После окончания самоочистки пылесос продолжит зарядку.

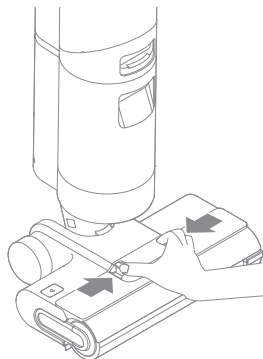


Примечание: После завершения самоочистки пылесоса тщательно очистите бак с отработанной водой. Если на базе для зарядки останутся пятна, очистите ее.

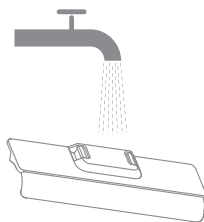
Очистка крышки роликовой щетки

* Чистите по мере необходимости.

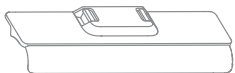
1. Нажмите на кнопки открытия крышки роликовой щетки внутрь с обеих сторон, чтобы снять крышку.



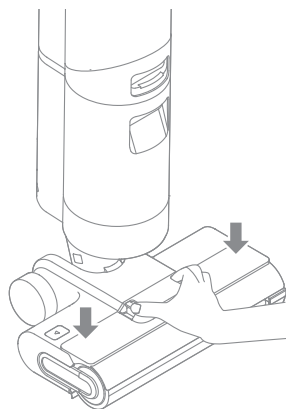
2. Промойте крышку чистой водой или протрите полотенцем.



3. Перед использованием тщательно просушите крышку.



4. Установите крышку обратно.

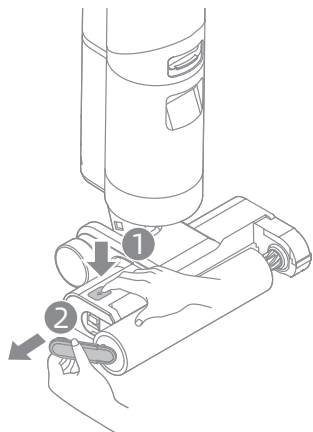


Обслуживание и ремонт

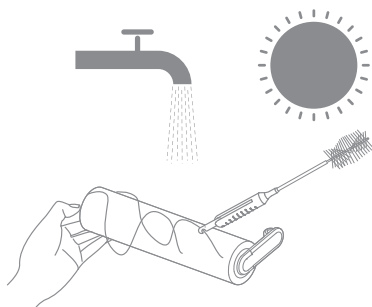
Очистка роликовой щетки

* Очищайте по мере необходимости. Рекомендуется выполнять замену каждые 3-6 месяцев.

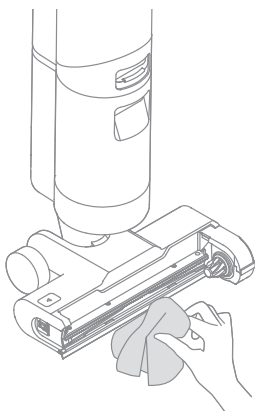
1. Нажмите на кнопку отсоединения роликовой щетки, чтобы выпала ручка. Потяните ее и извлеките роликовую щетку.



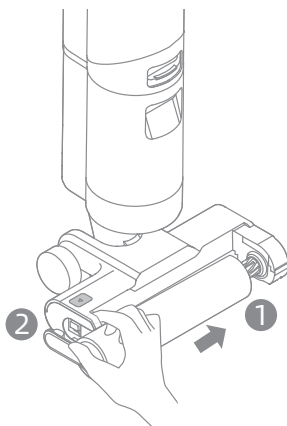
2. Удалите волосы и загрязнения, запутавшиеся в роликовой щетке, с помощью чистящей щетки в комплекте. Промойте роликовую щетку чистой водой и тщательно просушите.



3. Очистите пыль из отверстия для пыли с помощью сухой тряпки или бумажного полотенца. Запрещается промывать отверстие водой.



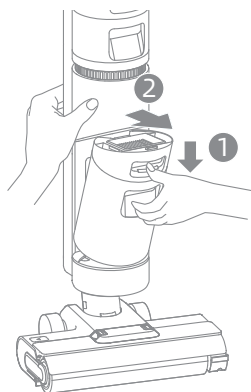
4. После очистки роликовой щетки поднесите ее правый конец к правому пазу модуля щетки и вставьте ручку роликовой щетки в левый паз модуля нажатием.



Очистка бака с отработанной водой

* Рекомендуется очищать бак с отработанной водой после каждого использования, а также до и после включения функции самоочистки.

1. Нажмите на кнопку отсоединения бака с отработанной водой и потяните бак вовне, чтобы извлечь.



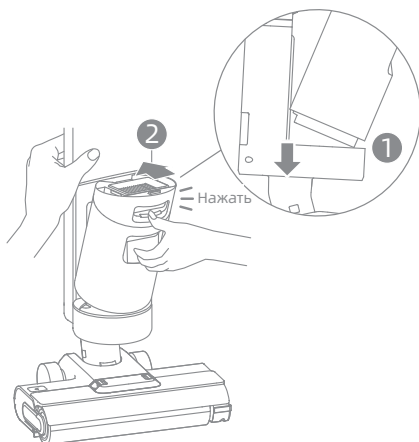
2. Держите бак с отработанной водой и снимите его крышку. Вылейте содержимое бака.



3. Ополосните бак с отработанной водой и крышку чистой водой. Очистите внутренние стенки бака с помощью чистящей щетки в комплекте.



4. После завершения очистки закройте крышку бака, наведите дно бака к подставке пылесоса и аккуратно вставьте бак до щелчка, который означает, что бак установлен.

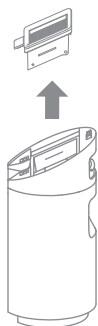


Обслуживание и ремонт

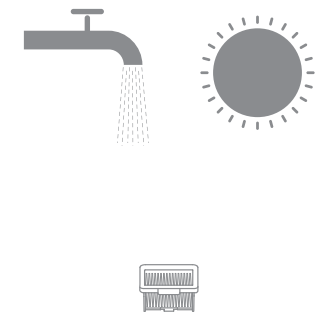
Очистка фильтра

* Выполняйте замену каждые 3-6 месяцев.

1. Извлеките фильтр из верхней части бака с отработанной водой.

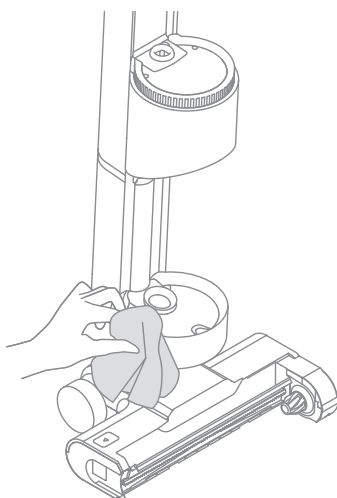


2. Если фильтр загрязнился, ополосните его чистой водой и полностью просушите, прежде чем продолжить использовать.



Очистка трубки

Извлеките бак с отработанной водой и протрите его выжатым полотенцем, чтобы очистить трубку перед использованием.







Ошибка	Возможная причина	Решение
Пылесос не работает.	Ручка не установлена на место.	Установите ручку обратно.
	Пылесос разряжен или уровень заряда низкий.	Полностью зарядите аккумулятор перед использованием.
	Пылесос расположен вертикально.	Наклоните пылесос.
	Роликовая щетка установлена некорректно или в ней спутались волосы, которые препятствуют вращению.	Повторно установите или прочистите роликовую щетку.
	Бак с отработанной водой не установлен на место.	Повторно установите бак с отработанной водой.
	Бак с отработанной водой переполнен.	Очистите бак с отработанной водой.
Слабая сила всасывания.	Фильтр засорился.	Очистите фильтр.
	Крышка роликовой щетки, фильтр или бак с чистой водой установлены некорректно.	После использования установите крышку роликовой щетки, фильтр и бак с чистой водой на место.
	В роликовой щетке запутались волосы.	См. раздел [Очистка роликовой щетки] в руководстве по уходу и ремонту.
	В трубке присутствуют посторонние предметы либо трубка засорилась.	Очистите трубку.
Двигатель издает странный шум.	В баке с отработанной водой скопилось слишком много жидкости.	Очистите бак с отработанной водой.
	Основное отверстие всасывания засорилось.	Удалите предметы, блокирующие основное отверстие всасывания.
Во время зарядки индикатор статуса аккумулятора не загорается.	Адаптер питания не включен в электрическую розетку.	Убедитесь, что адаптер питания корректно включен в розетку.

Вопросы и ответы

Ошибка	Возможная причина	Решение
Во время зарядки индикатор статуса аккумулятора не загорается.	Адаптер питания подключен к базе для зарядки некорректно.	Подключите корректно.
	База для зарядки подключена к пылесосу некорректно.	Убедитесь, что пылесос на месте.
Из робота не подается вода.	Бак с чистой водой установлен некорректно либо бак пустой.	Повторно установите либо наполните бак с чистой водой.
Вода вытекает из бака для отработанной воды.	Из-за удара или резкого движения вода попала в двигатель.	Когда пылесос выключится, перемещайте его аккуратными движениями.
	После очистки фильтр был просушен не полностью.	Перед использованием тщательно просушите фильтр.
Сбой самоочистки.	Крупные частицы блокируют роликовую щетку.	Откройте крышку роликовой щетки, проверьте и очистите ее.
	Пылесос не заряжается.	Перед активацией функции самоочистки убедитесь, что пылесос заряжен.
	Функция самоочистки не может быть включена, если уровень заряда аккумулятора ниже 15%.	Функция самоочистки может быть включена, только если пылесос заряжен и уровень заряда аккумулятора составляет более 15%.
	Бак с отработанной водой установлен некорректно или бак переполнен.	Повторно установите бак с отработанной водой или вылейте содержимое.
	Бак с чистой водой установлен некорректно либо бак пустой.	Повторно установите или наполните бак с чистой водой.

Устранение неисправностей

Если пылесос работает некорректно, на дисплее отобразится сообщение об ошибке. См. таблицу устранения неисправностей для поиска решения.

Значок ошибки	Возможная причина	Решение
	В баке недостаточно чистой воды	Наполните бак с чистой водой.
	Бак с отработанной водой не установлен	Установите бак с отработанной водой.
	Бак с отработанной водой переполнен	Очистите бак с отработанной водой.
	Роликовая щетка заблокирована	Очистите роликовую щетку с помощью чистящей щетки в комплекте.
	Роликовая щетка не установлена	Установите роликовую щетку.
	Трубка засорилась	Проверьте наличие засорения фильтра.
		См. раздел [Очистка трубки] руководства по уходу и ремонту.

Код устранения неисправностей	Возможная причина	Решение
E1/EE/EF	Ошибка двигателя	Свяжитесь со службой поддержки.
E2/E3/E7/E8/E9	Ошибка аккумулятора	Свяжитесь со службой поддержки.
E4/E5	Несовместимость адаптера питания	Используйте оригинальный адаптер питания или свяжитесь со службой поддержки.
E6	Перегрев аккумулятора	Подождите, пока температура аккумулятора вернется к нормальному значению.

Технические характеристики

Прибор для сухой и влажной уборки пола			
Модель	NHR14B	Время зарядки	Ок. 5 часов
Номинальное напряжение	21,6 V ===	Напряжение зарядки	26 V ===
Номинальная мощность	200 W	Расчетная ёмкость	3650 mAh
Номинальная ёмкость	4000 mAh	Объем бака с отработанной водой	500 mL
Объем бака с чистой водой	900 mL		
Адаптер питания			
Модель	YL50251B-E260090	Средний КПД в активном состоянии	87,28%
Вход	100-240 V ~ 50/60 Hz 0,8 A Max	КПД при низкой нагрузке (10%)	79,74%
Выход	26 V === 0,9 A	Энергопотребление без нагрузки	0,08 W

- В литий-ионном аккумуляторном блоке содержатся опасные для окружающей среды элементы. Перед утилизацией прибора сначала извлеките аккумуляторный блок, затем вы можете его утилизировать или переработать в соответствии с местными законами и правилами в стране или регионе применения.
- При извлечении аккумулятора необходимо отключить прибор от электропитания. Храните аккумуляторы в недоступном для детей месте. Запрещается класть аккумуляторы в рот. В случае проглатывания свяжитесь с терапевтом либо местным отделом контроля опасных веществ.
- В условиях, противоречащих установленным, запрещается прикасаться к аккумулятору, из которого вытекает жидкость. Если контакта не удалось избежать, промойте место контакта водой. В случае попадания аккумуляторной жидкости в глаза, немедленно обратитесь за медицинской помощью. Аккумуляторная жидкость может вызывать раздражение или ожог.

Информация об утилизации и переработке отходов электрического и электронного оборудования



Все изделия с символом раздельного сбора отработанного электрического и электронного оборудования (Директива WEEE 2012/19/EU) следует утилизировать отдельно от несортируемых бытовых отходов. С целью охраны здоровья и защиты окружающей среды такое оборудование необходимо сдавать на переработку в специальные пункты приема электрического и электронного оборудования, определенные правительством или местными органами власти. Правильная утилизация и переработка помогут предотвратить возможные негативные последствия для окружающей среды и здоровья человека. Для получения информации о местонахождении и порядке приема устройств в пунктах приема обратитесь в компанию, занимающуюся установкой оборудования, или в местные органы власти.

Ważne instrukcje dot. bezpieczeństwa Wyłącznie do użytku domowego

- Przed użyciem należy uważnie przeczytać niniejszą instrukcję i zachować ją do wykorzystania w przyszłości.
- Podczas korzystania z urządzenia elektrycznego należy zawsze przestrzegać podstawowych środków ostrożności, w tym:
- **PRZED UŻYCIEM (TEGO URZĄDZENIA) NALEŻY ZAPOZNAĆ SIĘ ZE WSZYSTKIMI INSTRUKCJAMI.** Nieprzestrzeganie ostrzeżeń i instrukcji może spowodować porażenie prądem elektrycznym, pożar i/lub poważne obrażenia ciała.

OSTRZEŻENIE- Aby zmniejszyć ryzyko pożaru, porażenia elektrycznego lub obrażeń:

- Należy używać tylko w sposób opisany w niniejszej instrukcji obsługi. Należy używać części wyłącznie zalecanych przez producenta.
- Wyłącznie do użytku wewnątrz pomieszczeń, na powierzchniach podłogowych, takich jak: winyl, płytki, uszczelnione drewno itp. Należy uważać, aby nie przejechać przez luźne przedmioty lub krawędzie dywanów. Wstrzymanie szczotki może spowodować przedwczesną awarię pasa.
- Z produktu nie powinny korzystać dzieci poniżej 8 roku życia ani osoby z niedostatkami fizycznymi, sensorycznymi, intelektualnymi lub ograniczonym doświadczeniem czy niewystarczającą wiedzą bez nadzoru rodzica lub opiekuna, aby zapewnić bezpieczną obsługę i uniknąć wszelkich zagrożeń. Dzieci nie powinny przeprowadzać czyszczenia i konserwacji bez nadzoru.
- Urządzenie nie jest przeznaczone do użytku przez osoby (w tym dzieci) o ograniczonych zdolnościach fizycznych, sensorycznych lub umysłowych, lub osoby nieposiadające doświadczenia i wiedzy, chyba że otrzymały one nadzór lub instrukcje dotyczące użytkowania urządzenia od osoby odpowiedzialnej za ich bezpieczeństwo.
- Do czyszczenia podłóg nie należy używać łatwopalnych lub palnych cieczy.
- Nie należy używać do czyszczenia łatwopalnych lub palnych cieczy, takich jak benzyna. Nie używać w miejscach, w których mogą znajdować się łatwopalne lub palne ciecze.
- Do ładowania akumulatora należy używać wyłącznie odłączanego adaptera dostarczonego z tym urządzeniem. Należy używać wyłącznie z adapterem <YLS0251B-E260090>.
- Adapter, który jest odpowiedni dla jednego typu akumulatora, może stwarzać ryzyko pożaru, gdy jest używany z innym akumulatorem.
- Folia z tworzywa sztucznego może być niebezpieczna. Aby uniknąć niebezpieczeństwa uduszenia, trzymać z dala od dzieci.
- Włosy, luźne ubrania, palce i inne części ciała należy trzymać z daleka od otworów ssących i części ruchomych odkurzacza i jego akcesoriów.
- Należy używać wyłącznie rodzaj i ilość płynu określonej w sekcji operacyjnej niniejszej instrukcji. Ciecze nie mogą być skierowane na urządzenia zawierające elementy elektryczne.

Informacje dot. bezpieczeństwa

- Nie należy wkładać żadnych przedmiotów do otworów. Nie należy używać urządzenia, gdy jakikolwiek otwór jest zatkany; należy usunąć z niego kurz, kłaczki, włosy i wszystko, co może utrudniać przepływ powietrza.
- Nie należy używać bez prawidłowo zamontowanych filtrów.
- Nie używaj urządzenia z uszkodzonym adapterem. Jeżeli adapter jest uszkodzony, musi zostać wymieniony przez producenta, jego przedstawiciela serwisowego lub podobną wykwalifikowaną osobę, aby uniknąć niebezpieczeństwa.
- Nie należy czyścić toksycznych materiałów (wybielacz, amoniak, środek czyszczący do kanalizacji itp.). Nie należy czyścić twardych ani ostrych przedmiotów, takich jak: szkło, gwoździe, śruby, monety, itp.
- Nie należy używać urządzenia w zamkniętym pomieszczeniu wypełnionym oparami farby olejnej, rozpuszczalnikiem, niektórymi substancjami zabezpieczającymi przez ćmami, łatwopalnymi pyłami lub innymi wybuchowymi lub toksycznymi oparami. Nie należy czyścić niczego, co się pali lub dymi, na przykład: papierosy, zapałki lub gorący popiół.
- Należy przestrzegać wszystkich instrukcji dotyczących ładowania i nie należy ładować urządzenia poza zakresem temperatur podanym na baterii, ponieważ zwiększa to ryzyko pożaru.
- Zaciski wyjściowe podstawy ładującej nie powinny być zwarte. Nie używaj urządzenia z uszkodzoną podstawą ładującą. Jeśli urządzenie zostało upuszczone, uszkodzone, pozostawione na zewnątrz, wpadło do wody lub nie działa tak, jak powinno, należy zwrócić je do centrum serwisowego.
- Trzymaj kabel adaptera z dala od rozgrzanych powierzchni. Nie należy obsługiwać wtyczki adaptera ani urządzenia mokrymi rękami. Aby odłączyć urządzenie od zasilania, należy chwycić za wtyczkę adaptera, a nie za przewód.
- Nie ciągnij ani nie przenoś adaptera za kabel, nie używaj kabla jako uchwytu, nie zamykaj drzwi na kabel ani nie owijaj kabla wokół ostrych krawędzi lub rogów.
- Należy wyłączyć urządzenie, jeśli nie jest używane, przed czyszczeniem, konserwacją lub serwisowaniem oraz przed montażem i demontażem urządzenia z ruchomą szczotką.
- Nie używać urządzenia, które jest uszkodzone lub zmodyfikowane. Uszkodzone lub zmodyfikowane baterie mogą wykazywać nieprzewidywalne zachowanie powodujące pożar, wybuch lub ryzyko obrażeń.
- Nie należy wystawiać urządzenia na działanie ognia lub nadmiernej temperatury. Narażenie na działanie ognia lub nadmiernej temperatury może spowodować eksplozję..
- Należy upewnić się, że urządzenie jest umieszczone na poziomej powierzchni. Nie używać urządzenia w tej samej pozycji, jeśli urządzenie jest wyposażone w szczotkę rolkową, a uchwyt nie jest całkowicie pionowo. Nie przechowywać urządzenia w miejscu, w którym może zamarznąć.
- Należy zachować szczególną ostrożność podczas czyszczenia schodów.
- Należy zapobiegać niezamierzonemu uruchamianiu urządzenia. Przed podniesieniem lub przenoszeniem urządzenia należy upewnić się, że przelącznik zasilania znajduje się w pozycji OFF. Noszenie urządzenia z palcem na przelączniku lub urządzeniu energetyzującym, które ma włączony przelącznik zasilania, prowadzi do wypadków.

- Ten produkt zawiera baterie, które mogą być wymieniane wyłącznie przez wykwalifikowanych techników lub serwis posprzedażowy.

ZACHOWAJ TĘ INSTRUKCJĘ WAŻNE ZABEZPIECZENIA

- Serwis naprawczy powinien być wykonywany wyłącznie przez wykwalifikowaną osobę używającą tylko identycznych części zamiennych. Zapewni to utrzymanie bezpieczeństwa produktu.
- Nie należy modyfikować ani podejmować prób naprawy urządzenia, z wyjątkiem przypadków wskazanych w instrukcjach Pielęgnacji i Konserwacji
- Nie używaj urządzenia w bardzo gorącym lub zimnym środowisku (poniżej 0 °C /32° F lub powyżej 40° C /104° F). Urządzenie należy ładować w temperaturze powyżej 0°C /32° F i poniżej 40°C /104° F).
- Jeśli urządzenie zostało upuszczone, uszkodzone, pozostawione na zewnątrz, wrzucone do wody lub nie działa tak, jak powinno, nigdy nie należy go ponownie obsługiwać. Należy niezwłocznie udać się do autoryzowanego centrum serwisowego w celach naprawczych.

 od czana jednostka zasilająca

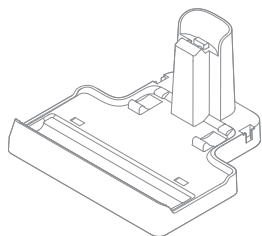


przeczytaj instrukcję obsługi

My, Dreame Trading (Tianjin) Co. Ltd., niniejszym oświadczamy, że sprzęt ten jest zgodny z obowiązującymi dyrektywami i normami europejskimi oraz ich poprawkami. Pełny tekst deklaracji zgodności UE jest dostępny pod następującym adresem internetowym: <https://global.dreameotech.com>

Szczegółową elektroniczną instrukcję obsługi można znaleźć na stronie <https://global.dreameotech.com/pages/user-manuals-and-faq>

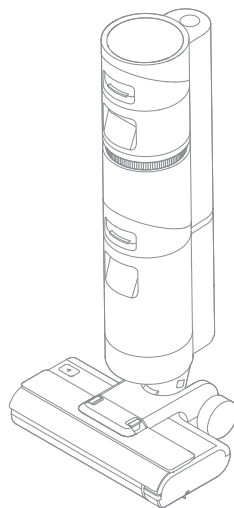
Lista opakowania



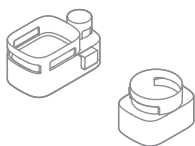
Podstawa ładująca



Uchwyt



Korpus główny



Uchwyt
mocujący



Szczotka
czyszcząca



Zasilacz



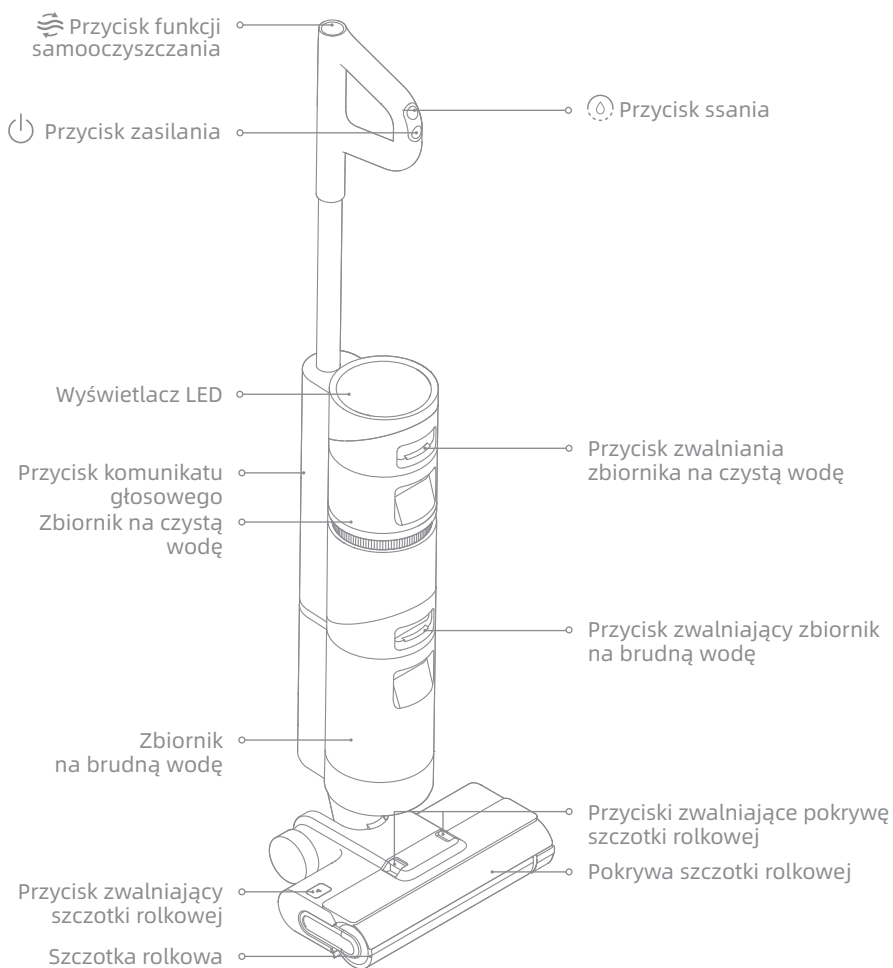
Zapasowa szczotka
rolkowa



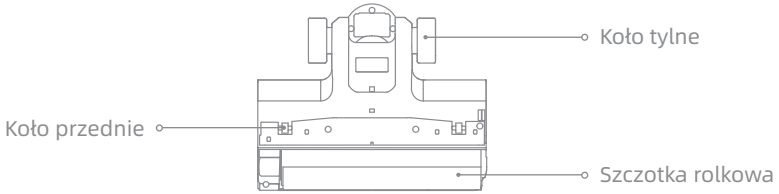
Wymienny filtr

Opis produktu

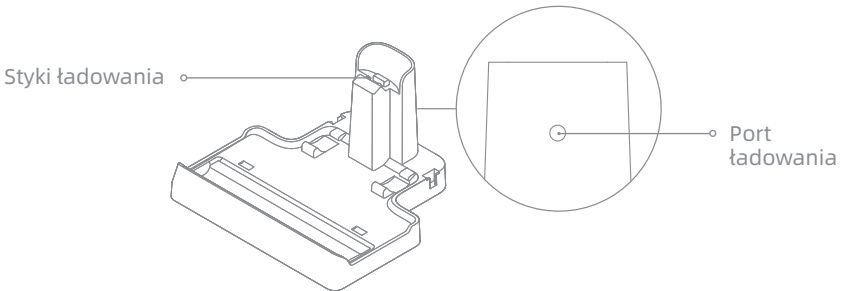
Odkurzacz



Zespól szczotki

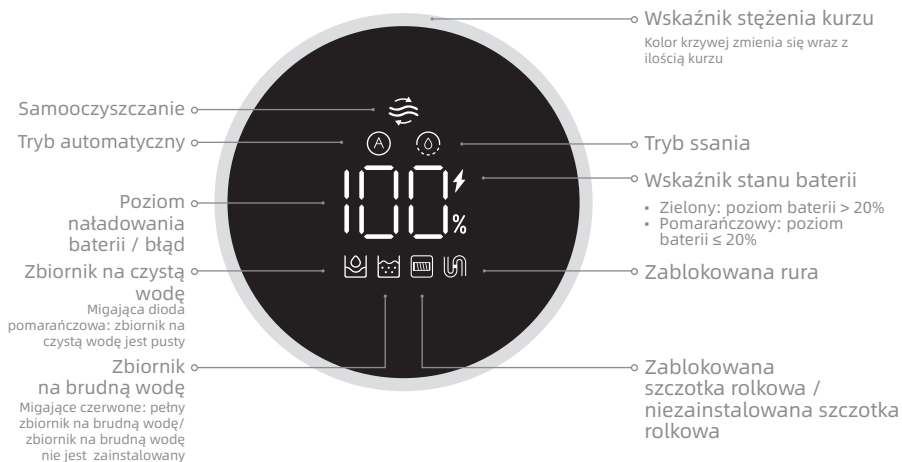


Podstawa ładowująca

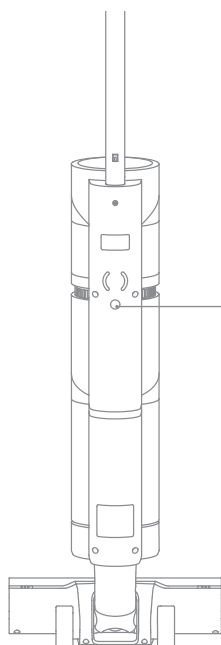


Opis produktu

Ekran wyświetlacza



Przycisk komunikatu głosowego

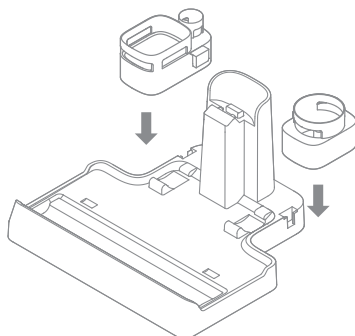


- Należy nacisnąć krótko, aby aktywować komunikaty głosowe lub regulować głośność
- Należy nacisnąć i przytrzymać przez 3 sekundy, aby przełączyć między językami

Montowanie

Montaż uchwyty mocującego

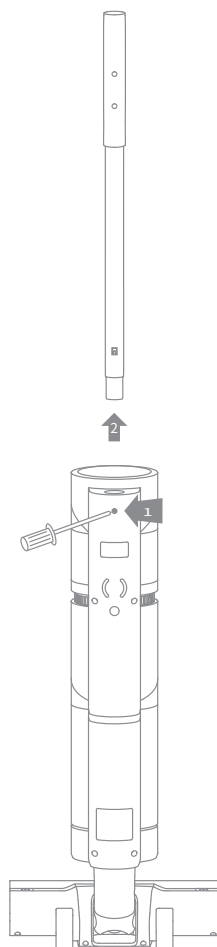
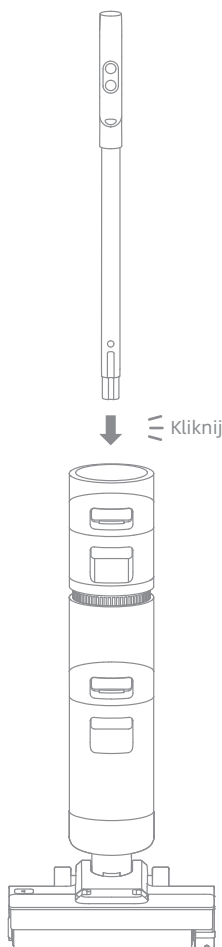
Należy zamontować uchwyt mocujący na podstawie ładującej, jak pokazano na rysunku.



Schemat ładowania odkurzacza

Należy włożyć koniec części uchwyty pionowo do portu w górnej części odkurzacza, w kierunku wskazanych na rysunku. Montaż zostanie zakończony po usłyszeniu odgłosu kliknięcia.

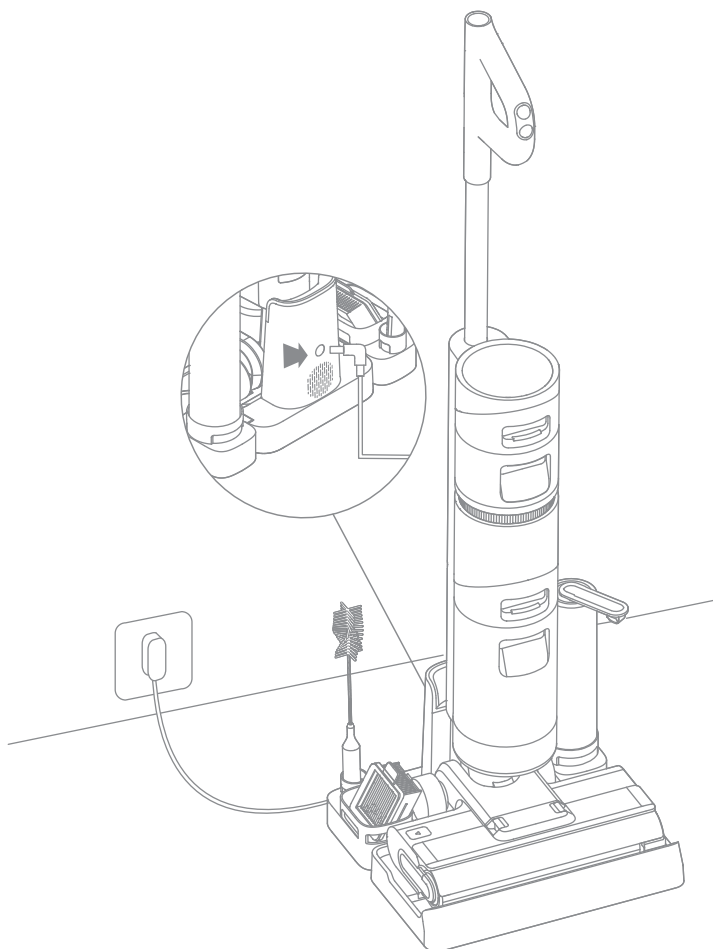
Uwaga: W przypadku demontażu należy użyć twardego przedmiotu, aby wcisnąć styk w dziurze z tyłu odkurzacza, jednocześnie ciągnąc uchwyt ku górze.



Ładowanie

Uwaga: Należy naładować odkurzacz w pełni przed pierwszym użyciem

1. Należy umieścić podstawę ładującą na płaskim podłożu przy ścianie. Następnie należy podłączyć jeden koniec zasilacza z podstawą ładującą a drugi z gniazdkiem elektrycznym.
2. Umieścić odkurzacz na podstawie ładującej. Na ekranie zaświeci się symbol ⚡ oznaczający stan ładowania. Liczba na ekranie wyświetlacza przedstawia aktualny poziom naładowania baterii w procentach podczas ładowania. Gdy liczba ta osiągnie wartość 100, oznacza to, że akumulator jest w pełni naładowany, a wskaźnik ⚡ zgaśnie. Jeśli w ciągu 10 sekund nie zostanie wykonana żadna czynność, ekran wyłączy się automatycznie.

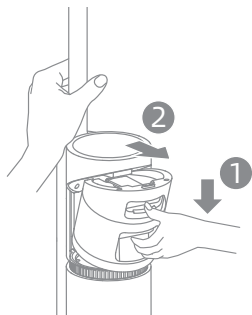


Uwaga: Po 15 minutach bezczynności w pełni naładowany odkurzacz przejdzie w stan uśpienia.

Sposób użytkowania

Napełnianie zbiornika na czystą wodę

1. Należy przycisnąć przycisk zwalniania zbiornika na czystą wodę i pociągnąć zbiornik na zewnątrz, aby go zdemontować.



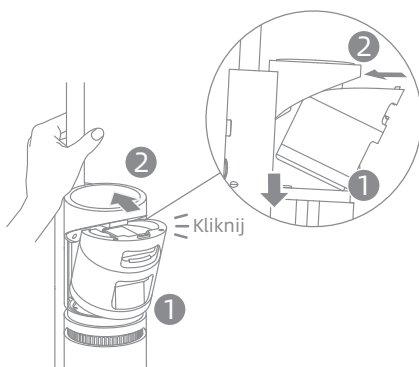
2. Należy otworzyć pokrywę zbiornika i wlać wystarczającą ilość wody do zbiornika na czystą wodę.




3. Zamknij szczelnie pokrywę zbiornika.

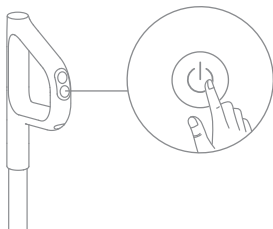


4. Zamontuj zbiornik na czystą wodę i upewnij się, że zatrzasnął się we właściwym miejscu.

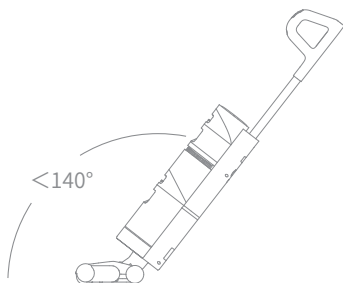


Rozpoczęcie czyszczenia

Naciśnij krótko przycisk , aby włączyć zasilanie, a odkurzacz rozpocznie czyszczenie. Odkurzacz jest wyposażony w przełącznik pozycji pionowej/poziomej. Aby rozpocząć pracę, należy delikatnie nadebrać na pokrywę szczotki i odchylić odkurzacz do tyłu. Jeżeli podczas pracy odkurzacz znajduje się w pozycji pionowej, bieżące zadanie zostanie zawieszona.



Uwaga: Podczas pracy odkurzacza nie należy podnosić go w górę/dół, nie przenosić, nie potrząsać odkurzaczem na boki ani kłaść płasko, aby zapobiec wyciekowi brudnej wody do wewnątrz odkurzacza.



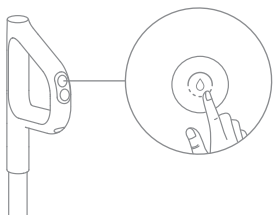
Nie należy przechylać odkurzacza o więcej niż 140°, aby uniknąć wycieku wody. Nie należy używać odkurzacza do odkurzania spienionych płynów.

Tryb Auto / Tryb Ssania

Odkurzacz jest domyślnie włączony w trybie automatycznym, można przełączyć go na tryb ssania w zależności od potrzeb.

Tryb automatyczny: Odkurzacz dostosuje moc ssania zależnie od zabrudzeń na podłodze.

Tryb ssania: Odkurzacz może czyścić plamy z wody na podłodze.



Pielęgnacja i konserwacja

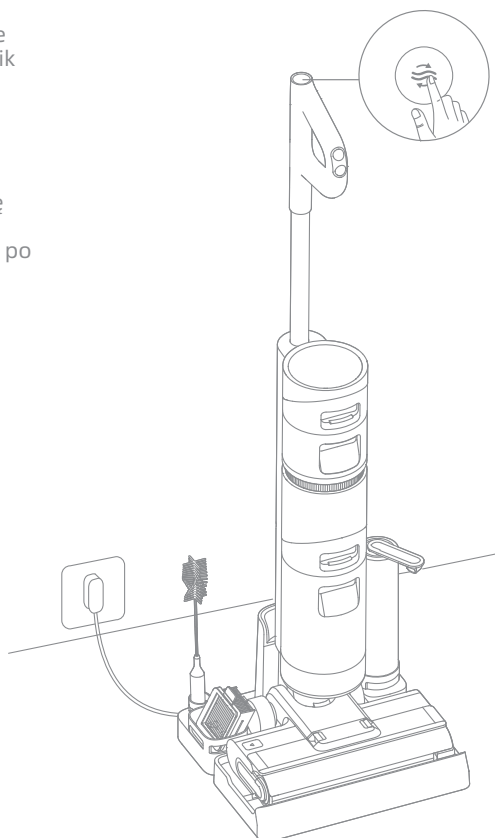
Wskazówki:

1. Przed przystąpieniem do czynności pielęgnacyjnych i konserwacyjnych należy wyłączyć odkurzacza.
2. Części muszą zostać wymienione, jeśli zajdzie taka konieczność. Należy używać wyłącznie oryginalnych części, aby uniknąć uszkodzenia produktu z powodu nieprzydatności.
3. Jeśli odkurzacza nie jest używany przez dłuższy czas należy go w pełni naładować, odłączyć zasilacz i przechowywać odkurzacza w chłodnym miejscu o niskiej wilgotności, z dala od bezpośredniego światła słonecznego. Aby uniknąć nadmiernego rozładowania baterii należy ładować odkurzacza co najmniej raz na 3 miesiące.

Samoczyszczanie za pomocą jednego przycisku

* Funkcję samoczyszczania można włączyć tylko wtedy, gdy odkurzacza jest naładowany, a poziom baterii jest większy niż 15%.

1. Po wyznaczonych zadaniach czyszczenia należy umieścić odkurzacza pionowo na podstawie ładującej i upewnić się, że zbiornik na czystą wodę jest pełny.
2. Należy nacisnąć krótko przycisk samoczyszczania na górnej części uchwytu. Kiedy wskaźnik samoczyszczania zaświeci się na ekranie, samoczyszczanie się rozpocznie.
3. Odkurzacza rozpocznie ładowanie po skończeniu samoczyszczania.



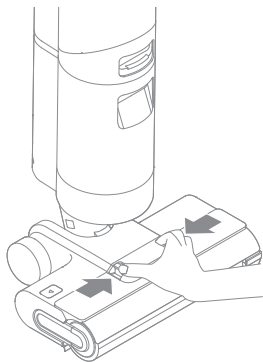
Uwaga: Po zakończeniu samoczyszczania odkurzacza należy niezwłocznie wyczyścić zbiornik na brudną wodę. Jeśli na podstawie ładującej pozostaną plamy, należy wyczyścić podstawę.

Pielęgnacja i konserwacja

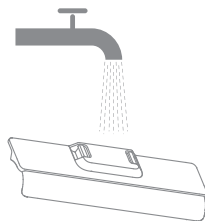
Czyszczenie pokrywy szczotki rolkowej

* Wyczyścić w razie potrzeby.

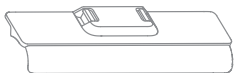
1. Naciśnij przyciski zwalniające pokrywę szczotki rolkowej na obu końcach do środka, aby zdjąć pokrywę.



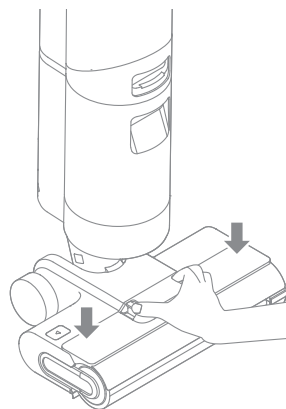
2. Opłucz pokrywę czystą wodą lub wytrzyj ją szmatką.



3. Pokrywa musi zostać całkowicie osuszona przed ponownym użyciem.



4. Zamontuj pokrywę z powrotem.

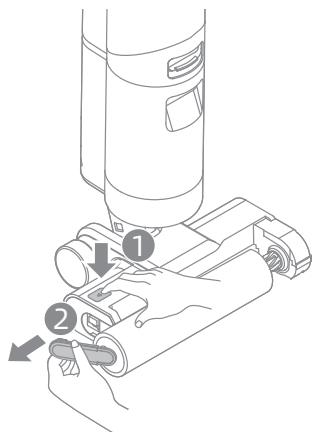


Pielęgnacja i konserwacja

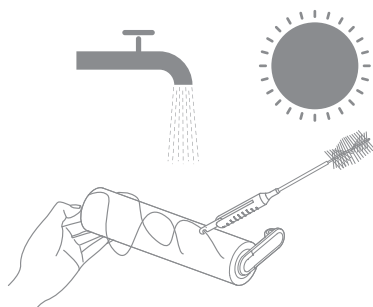
Czyszczenie szczotki rolkowej

* Wyczyścić w razie potrzeby. Zaleca się wymianę raz na 3 do 6 miesięcy.

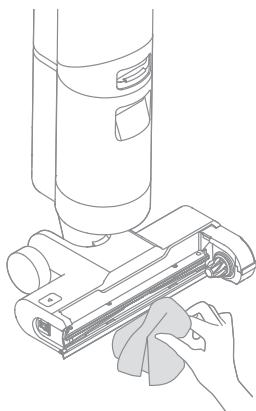
1. Naciśnij przycisk zwalniający szczotkę rolkową, aby uchwyt szczotki rolkowej wyskoczył. Pociągnij za niego, aby wyjąć szczotkę rolkową.



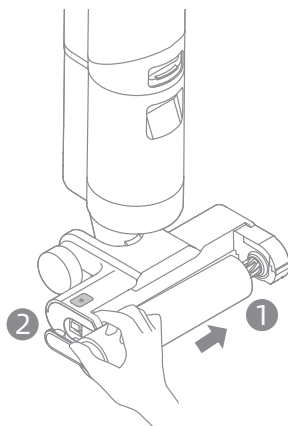
2. Wyczyść włosy i inne zanieczyszczenia zaplątane w szczotkę rolkową za pomocą dołączonej szczoteczki. Opłucz szczotkę rolkową czystą wodą i całkowicie go wysusz.



3. Należy wytrzeć kurz z wlotu kurzu za pomocą suchej szmatki lub papieru kuchennego. Nigdy nie należy opłukiwać go wodą.



4. Po wyczyszczeniu szczotki rolkowej wyrównaj i wciśnij prawy koniec do prawego otworu w zespole szczotki, a uchwyt szczotki rolkowej wciśnij do lewego otworu w zespole szczotki.

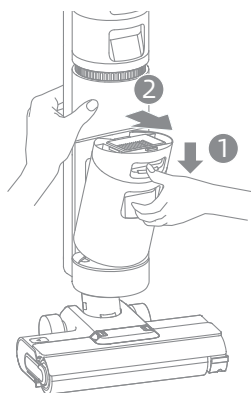


Pielęgnacja i konserwacja

Czyszczenie zbiornika na brudną wodę

* Zaleca się czyszczenie zbiornika na brudną wodę po każdym użyciu oraz przed i po włączeniu funkcji samooczyszczania.

1. Naciśnij przycisk zwalnający zbiornik na brudną wodę i pociągnij zbiornik na brudną wodę na zewnątrz, aby go wyjąć.



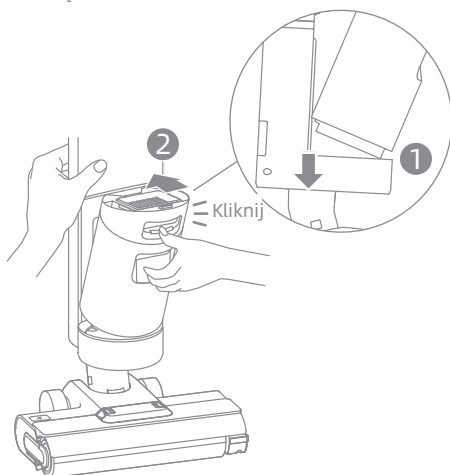
2. Przytrzymaj zbiornik na brudną wodę i zdejmij pokrywę zbiornika na brudną wodę.



3. Wypłukaj zbiornik na brudną wodę i pokrywę zbiornika czystą wodą. Wyczyść wewnętrzną ściankę zbiornika za pomocą dołączonej szczotki czyszczącej.



4. Po zakończeniu czyszczenia należy zamknąć pokrywę zbiornika. Następnie należy zatrasnąć dno zbiornika w pozycji podparcia odkurzacza i delikatnie wcisnąć zbiornik, aż słyszalne będzie kliknięcie.



Pielęgnacja i konserwacja

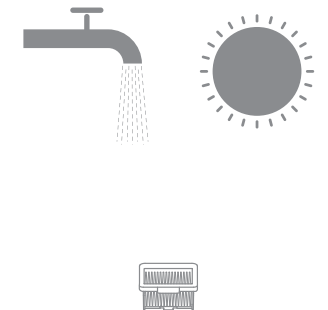
Czyszczenie filtra

* Wymień go co 3 do 6 miesięcy.

1. Wyjmij filtr z górnej części zbiornika na brudną wodę.

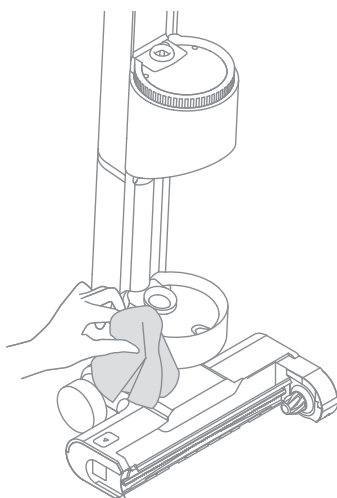


2. Jeśli filtr jest zabrudzony, należy go opłukać czystą wodą i całkowicie wysuszyć przed użyciem.



Czyszczenie rury

Wyjmij zbiornik na brudną wodę, przetrzyj go wilgotną szmatką, aby wyczyścić rurę przed użyciem.







Błąd	Możliwe przyczyny	Rozwiązanie
Odkurzacz nie działa.	Uchwyt nie jest zamontowany na swoim miejscu.	Ponownie zamontuj uchwyt.
	Odkurzacz nie ma baterii lub poziom baterii jest zbyt niski.	Przed użyciem w pełni naładuj baterię.
	Odkurzacz jest pionowo.	Należy przechylić odkurzacz przed jego ponownym użyciem.
	Szczotka rolkowa nie jest zamontowana na swoim miejscu lub szczotka rolkowa jest zaplątana we włosy i nie może się obracać.	Zamontuj ponownie lub wyczyść szczotkę rolkową.
	Zbiornik na brudną wodę nie jest zamontowany na swoim miejscu.	Zamontuj ponownie zbiornik na brudną wodę.
	Zbiornik na brudną wodę jest pełny.	Opróżnij zbiornik na brudną wodę.
Staba siła ssania.	Filtr jest zatkany.	Należy oczyścić filtr.
	Pokrywa szczotki rolkowej, filtr lub zbiornik na czystą wodę nie zostały zamontowane na swoim miejscu.	Przed użyciem zamontuj pokrywę szczotki rolkowej, filtr i zbiornik na czystą wodę.
	W szczotkę rolkową zaplątały się włosy.	Zapoznaj się z częścią instrukcji konserwacji [Czyszczenie szczotki rolkowej].
	W rurze odkurzacza znajdują się ciała obce lub jest ona zablokowana.	Należy oczyścić rurę odkurzacza.
Silnik wydaje dziwny dźwięk.	Za dużo brudnej wody w zbiorniku na brudną wodę.	Opróżnij zbiornik na brudną wodę.
	Główny otwór ssący jest zablokowany.	Należy oczyścić wszelkie ciała obce z głównego otworu ssącego.
Wskaźnik poziomu baterii nie świeci się podczas ładowania.	Zasilacz nie jest podłączony do gniazdka elektrycznego.	Należy upewnić się, że zasilacz jest prawidłowo podłączony.
	Zasilacz nie jest prawidłowo podłączony do podstawy ładującej.	Należy upewnić się, że są one prawidłowo podłączone.

FAQ - najczęściej zadawane pytania

Błąd	Możliwe przyczyny	Rozwiązanie
Wskaźnik poziomu baterii nie świeci się podczas ładowania.	Podstawa ładująca nie jest prawidłowo podłączona do odkurzacza.	Należy upewnić się, że odkurzacz jest prawidłowo ustawiony.
Odkurzacz nie ma przepływu wody.	Zbiornik na czystą wodę nie został prawidłowo zamontowany lub zbiornik na czystą wodę jest pusty	Należy zamontować ponownie lub napełnić zbiornik na czystą wodę.
Wyciek wody z górnej części zbiornika na czystą wodę.	Kolizja lub gwałtowne pociągnięcie powoduje, że woda dostaje się do silnika.	Należy poruszyć delikatnie w przód i w tył, kiedy odkurzacz jest włączony.
	Filtr nie jest całkowicie osuszony po jego czyszczeniu.	Należy całkowicie osuszyć filtr przed jego ponownym użyciem.
Samoo czyszczanie nie powiodło się.	Szczotka rolkowa może być zablokowana przez duże cząstki.	Otwórz pokrywę szczotki rolkowej, aby sprawdzić i wyczyścić szczotkę rolkową.
	Odkurzacz nie ładuje się.	Należy upewnić się, że odkurzacz jest naładowany przed uruchomieniem funkcji samoo czyszczania.
	Samoo czyszczanie nie może zostać rozpoczęte, jeśli poziom baterii jest niższy niż 15%	Funkcję samoo czyszczania można włączyć tylko wtedy, gdy odkurzacz jest naładowany, a poziom baterii jest większy niż 15%.
	Zbiornik na brudną wodę nie został zamontowany na swoim miejscu lub zbiornik na brudną wodę jest pełny.	Zamontuj ponownie lub opróżnij zbiornik na brudną wodę.
	Zbiornik na czystą wodę nie został prawidłowo zamontowany lub zbiornik na czystą wodę jest pusty	Należy ponownie zamontować lub napełnić zbiornik na czystą wodę.

Rozwiązywanie problemów

W przypadku, gdy odkurzacz nie działa prawidłowo, na wyświetlaczu pojawi się komunikat o błędzie. Należy odnieść się do tabeli rozwiązywania problemów, aby znaleźć rozwiązanie.

Wskaźnik błędu	Możliwe przyczyny	Rozwiązanie
	Niewystarczająca ilość wody w zbiorniku na czystą wodę	Należy napełnić zbiornik na czystą wodę.
	Zbiornik na brudną wodę nie jest zamontowany.	Zamontuj zbiornik na brudną wodę.
	Zbiornik na brudną wodę jest pełny	Opróżnij zbiornik na brudną wodę.
	Zakleszczona szczotka rolkowa	Wyczyść szczotkę rolkową za pomocą dołączonej szczotki czyszczącej.
	Szczotka rolkowa nie jest zamontowana	Zamontuj szczotkę rolkową.
	Zablokowana rura	Należy sprawdzić, czy filtr jest zablokowany.
		Zapoznaj się z częścią instrukcji konserwacji [Czyszczenie rury].

Kod rozwiązywania problemów	Możliwe przyczyny	Rozwiązanie
E1/EE/EF	Błąd silnika	Należy skontaktować się z obsługą klienta.
E2/E3/E7/E8/E9	Awaria baterii	Należy skontaktować się z obsługą klienta.
E4/E5	Nie zgodność zasilacza	Należy użyć oryginalnego zasilacza lub skontaktować się z działem obsługi klienta.
E6	Przegrzanie baterii	Poczekaj, aż temperatura baterii powróci do normalnego stanu.

Odkurzacz do czyszczenia na mokro i sucho			
Model	HHR14B	Czas ładowania	Okolo 5 godzin
Napięcie znamionowe	21,6 V ---	Napięcie ładowania	26 V ---
Moc znamionowa	200 W	Pojemność znamionowa	3650 mAh
Pojemność nominalna	4000 mAh	Pojemność zbiornika na brudną wodę	500 mL
Pojemność zbiornika na czystą wodę	900 mL		
Zasilacz			
Model	YLS0251B-E260090	Średnia Sprawność podczas Pracy	87,28%
Wejście	100-240 V ~ 50/60 Hz 0,8 A Max	Wydajność przy Niskim Obciążeniu (10%)	79,74%
Wyjście	26 V --- 0,9 A	Zużycie Mocy bez obciążenia	0,08 W

- Akumulator litowy zawiera substancje niebezpieczne dla środowiska. Przed pozbyciem się urządzenia należy najpierw wyjąć akumulator, a następnie wyrzucić go lub poddać recyklingowi zgodnie z lokalnymi przepisami i regulacjami prawnymi obowiązującymi w kraju lub regionie, w którym jest używany.
- Podczas wyjmowania baterii urządzenie musi być odłączone od źródła zasilania. Baterie należy przechowywać w miejscu niedostępnym dla dzieci. Nigdy nie należy wkładać baterii do ust. W przypadku połknięcia należy skontaktować się z lekarzem lub lokalnym centrum zatruc.
- W trudnych warunkach nigdy nie należy dotykać baterii, z których może wytrysnąć ciecz. Jeśli dojdzie do przypadkowego kontaktu, opłukać wodą. W przypadku kontaktu cieczy z oczami należy natychmiast zwrócić się o pomoc lekarską. Ciecz wypływająca z baterii może powodować podrażnienia lub oparzenia.

הוראות בטיחות חשובות

שימוש ביתי בלבד

- אנא קראו היטב את מדריך זה לפני השימוש ושמרו אותו לעיון בעתיד.
- בזמן השימוש במכשיר חשמלי, תמיד יש לנקות באמצעי בטיחות בסיסיים, כולל את הבאים:
- קראו את כל ההוראות לפני השימוש (במכשיר זה). אי עמידה בהוראות ואזהרות יכול להגמר בהתחשמלות, שריפה ולא פציעה רצינית.

אזהרה - על מנת להוריד את סיכוי לאש, התחמשלות, או פציעה

- השתמשו רק כפי שמתואר במדריך זה. השתמשו רק באביזרים נלווים המומלצים על ידי הייצרן.
- השתמשו רק בפנים, על גבי משטחים ללא שטיחים כגון וינל, בלטות, פרקט וכו'. הזהרו שלא לעבור על חפצים משוחררים או קצוות שטיחים. תקיעת המברשת עלולה לגרום לתקלת חגורה בטרם עת.
- כדי להבטיח הפעלה בטוחה ולמנוע תאונות, אסור השימוש במוצר זה לילדים בני פחות מ-8 שנים, לאנשים מבוגרים עם מגבלות גופניות, תחושתיות או מנטלית או לחסרי ידע או ניסיון, ללא השגחה של הורה או מבוגר אחראי. אין להתיר לילדים לבצע ניקוי ותחזוקה ללא השגחה.
- מכשיר זה אינו מיועד לשימוש על ידי אנשים (כולל ילדים) עם מוגבלויות פיזיות, חושיות או שכליות, או חסרי ניסיון וידע, אלא אם ניתנת להם השגחה או הדרכה על אודות השימוש במכשיר מהאדם האחראי על ביטחונם.
- אין להשתמש בנוזלים דליקים או מתלקחים לניקוי רצפות.
- אין להשתמש כדי לאסוף נוזלים דליקים או מתלקחים, כגון דלק. אין להשתמש באזורים שבהם נוזלים דליקים או מתלקחים עשויים להיות נוכחים.
- לצורך טעינת הסוללה, יש להשתמש רק במתאם הניתן להסרה המסופק עם מכשיר זה. יש להשתמש רק עם מתאם < YLS0251B-E260090 >.
- מתאם המתאים לסוג אחד של ערכת סוללות עלול ליצור סכנת שריפה בעת שימוש עם ערכת סוללות אחרת.
- אין להשרות את המכשיר בנוזל.
- עטיפות פלסטיק יכולות להיות מסוכנות. על מנת להמנע מסכנת חנק, יש להרחיק מידי ילדים.
- הרחיקו שערות, ביגוד רופף, אצבעות וכל שאר חלקי הגוף מפתחי וחלקיו הזיזים של מכשיר זה ואביזריו.
- השתמשו רק בסוג וכמות הנוזלים המצויינים בחלק התפעול של מדריך זה. אין להכווין נוזלים כלפי חלקים עם מרכיבים חשמליים.
- אין להכניס שום חפץ לפתחים. אין להשתמש במכשיר כאשר פתח כלשהו נחסם; יש לשמור ללא אבק, מוך, שיער או פריטים אחרים שעשויים להפחית את זרימת האוויר.
- אין להשתמש בו כשהמסננים אנים במקום.
- אין להשתמש במכשיר עם מתאם פגום. אם המתאם פגום, יש להחליף אותו על-ידי הייצרן, סוכן השירות שלו או אנשים מוסמכים על מנת למנוע סיכונים.
- אין להרים חומרים רעילים (כלור, אקונומיקה, אמוניה, מנקה ניקוז וכו'). אין להרים חפצים קשיחים או חדים כגון זכוכית, מסמרים, ברגים, מטבעות, וכו'.
- אין להשתמש במכשיר במקום סגור עם אדים של צבע בסיס-שמן, מדלל צבע, חומרים מסויימים

- למניעת עשי בגדים, אבק ניצת, או חומרים נפיצים אחרים או אדים רעילים. אין להרים כל דבר שעולה באש או מוצאי עשן, כגון סיגריות, גפרורים, או אפר לוחט.
- בצע את כל הוראות הטעינה ואל תטען את המכשיר מחוץ לטווח הטמפרטורה שצוין בסוללה מכיוון שזה מגביר את הסיכון לאש.
 - אין לקצר את יציאות בסיס הטעינה. אין להשתמש בו עם בסיס מטען פגום. אם המכשיר נופל, נפגם, הושאר בחוץ, הופל לתוך מים, או אינו עובד כראוי, החזירו אותו למרכז שירות.
 - הרחיקו את כבל המתאם ממשטחים מחוממים. אין להחזיק בתקע המתאם או במכשיר בידיים רטובות. כדי לנתק, יש לתפוס את תקע המתאם במקום את הכבל.
 - אין למשוך או לשאת מתאם באמצעות כבל, אין להשתמש בכבלים כידית, אין לסגור דלת בכבל או למשוך כבל סביב קצוות או פינות חדים.
 - כבו כשהמכשיר אינו בשימוש, לפני הנקיון ואחזקה של המכשיר, ולפני חיבור או ניתוק של מברשת שמבצעת תנועה.
 - אין להשתמש במכשיר שהוא פגום או מאולטר. סוללות פגומות או מאולטרות יכולות להתנהג בצורה בלתי צפויה ולגרום לשריפה, פיצוץ או סכנת פציעה.
 - אין לחשוף את המכשיר לאש או לטמפרטורות גבוהות. חשיפה לאש או לטמפרטורה מופרזת עלולה לגרום לפיצוץ.
 - וודאו שהמכשיר מונח על משטח מאוזן. אין להשתמש במכשיר באותה מצב עם המכשיר מגיע עם מברשת גלגלית והידיית אינה במצב אנכי לחלוטין. אין לאחסן את המכשיר במקום שהוא עלול להיקפא.
 - השתמשו במשנה זהירות כשאתם מנקים מדרגות.
 - המנעו מהדלקה לא מכוונת. וודאו שהמתג במצב "כבוי" לפני הרמה או נסיעה של המכשיר. נסעו את המכשיר כאשר האצבע שלכם על המתג או מכשירים ממריצים שיש להם מתג המזמינים תאונות.
 - מוצר זה מכיל סוללות שניתן להחליף רק על ידי טכנאים מוסמכים או שירות לאחר המכירה.

מידע בטיחותי

שמרו על הוראות אלו

אמצעי הגנה חשובים

- יש לתת לאיש אחזקה מוסמך לבצע אחזקה של המכשיר ולהשתמש רק בחלקי חילוף זהות לחלוטין. זה יוודא שבטיחות המכשיר תשמר.
- אין לשנות או לנסות לתקן את המכשיר למעט כפי שמורה בהוראות הטיפול ואחזקה.
- אין להשתמש בסביבות חמות או קרות באופן קיצוני (מתחת ל - $0^{\circ}\text{C}/32^{\circ}\text{F}$ או מעל $40^{\circ}\text{C}/104^{\circ}\text{F}$).
נא לטעון את המכשיר בטמפרטורה מעל $0^{\circ}\text{C}/32^{\circ}\text{F}$ ומתחת ל - $40^{\circ}\text{C}/104^{\circ}\text{F}$.
- אם המכשיר נופל, נפגם, הושאר בחוץ, הופל לתוך מים, או אינו עובד כראוי, אין לנסות להפעילו. החזירו אותו למרכז שירות.

יחידת אספקה הניתנת להסרה 

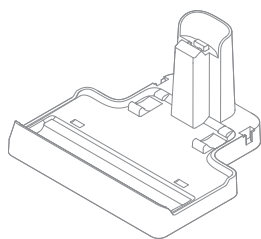
קרא את המדריך של האופרטור 

לעיון במדריך מקוון מפורט, בקר בכתובת

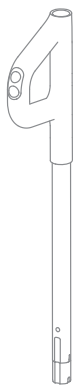
<https://global.dreametech.com/pages/user-manuals-and-faqs>

הצגת המוצר

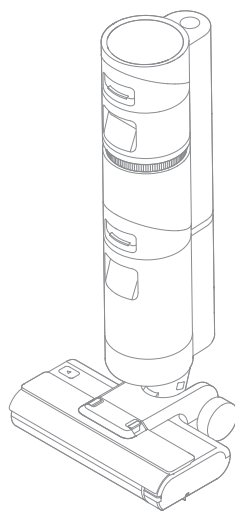
רשימת מארז



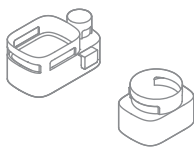
בסיס טעינה



ידית



גוף המכשיר



מחזיק אביזרים



מברשת ניקוי



מתאם חשמל

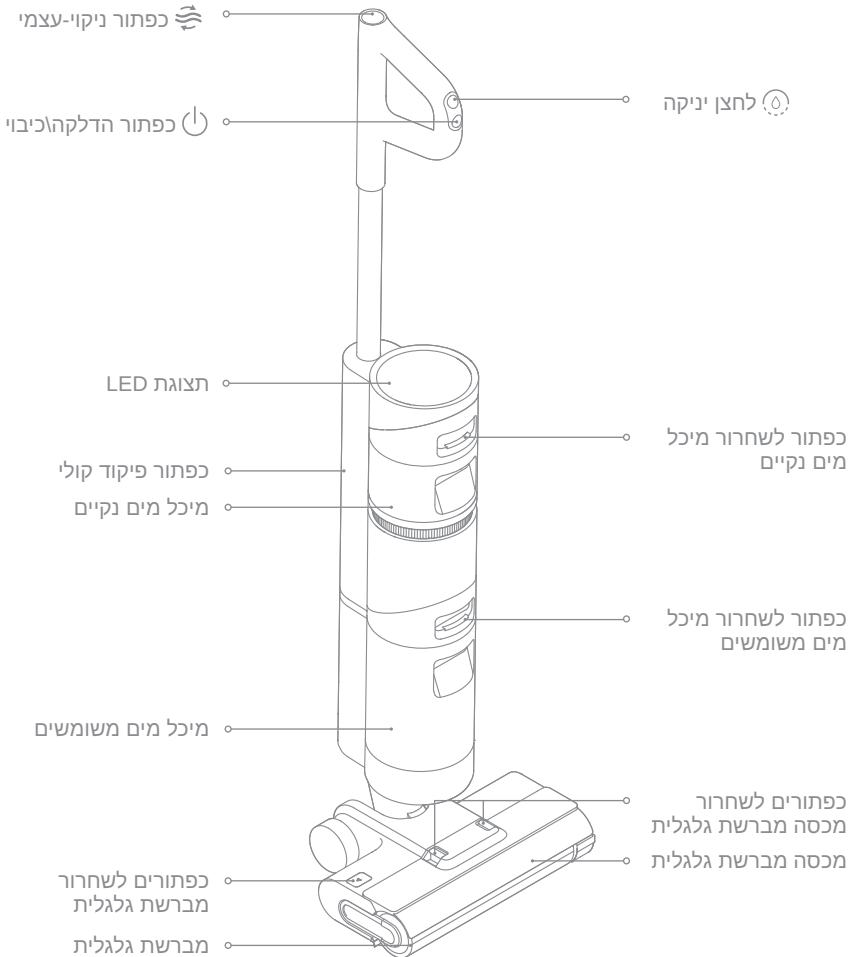


מברשת גלגלית רזרבית



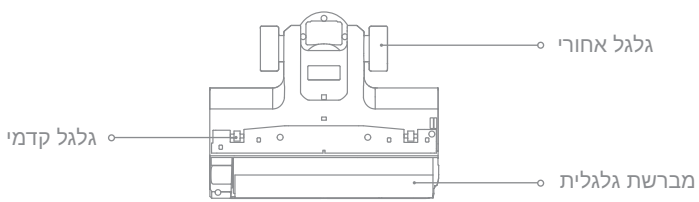
מסנן חלופי

גוף השואב

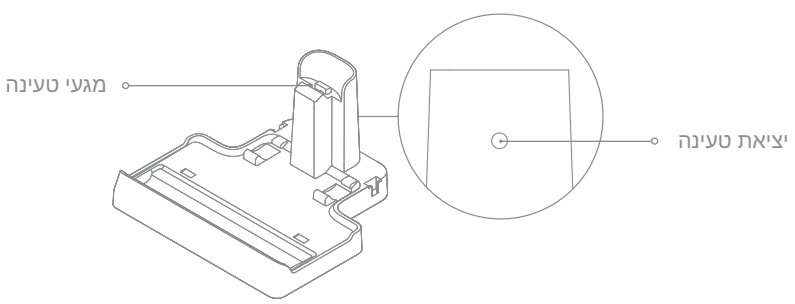


הצגת המוצר

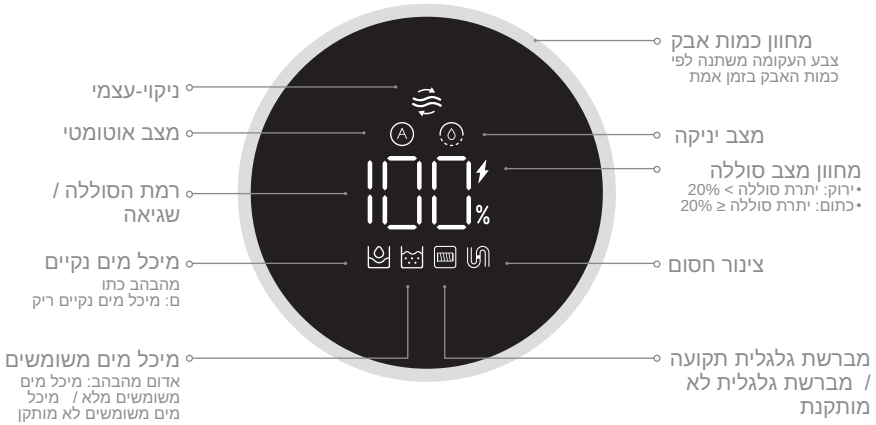
הרכבת מברשת



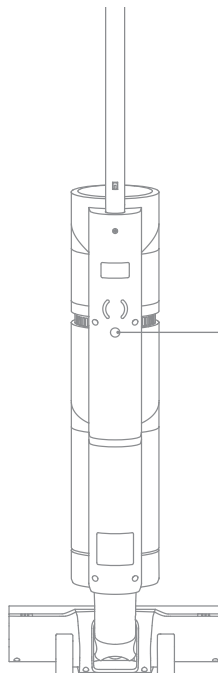
בסיס טעינה



תצוגה



כפתור פיקוד קולי



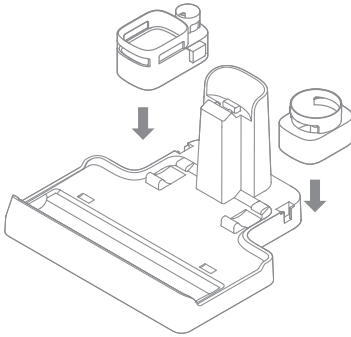
כפתור פיקוד קולי

- לחצו והחזיקו למשך 3 שניות על מנת להחליף בין שפות
- בחרו במצב אוטומטי או מצב ספיגת מים על פי הצורך

התקנה

התקנת מחזיק אביזרים

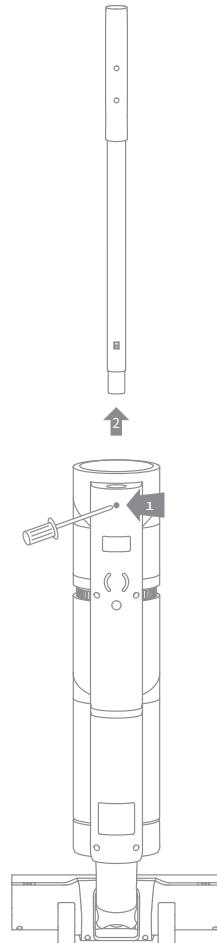
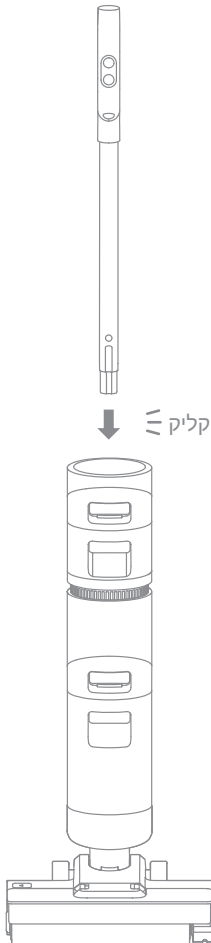
התקינו את מחזיק האביזרים בבסיס הטעינה כפי שמצויין.



תרשים התקנת השואב

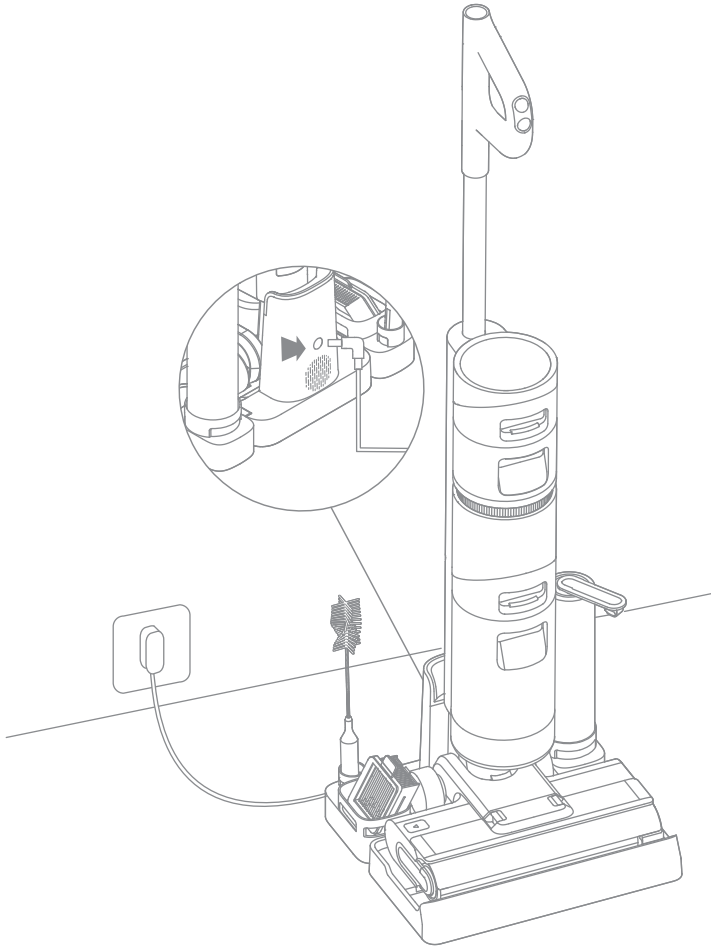
הכניסו את קצה ידית האחיזה באופן אנכי לתוך הפתח שבחלקו העליון של השואב כפי שמצויין, תרגישו אותו מקליק לתוך מקומו.

שימו לב: על מנת לפרק את הידית, השתמשו בעצם קשיח על מנת לגשש לתוך החור שבחלקו האחורי של השואב וללחוץ על המגע, ובו שמנית משכו את הידית כפלי מעלה.



שימו לב: טענו את השואב עד שהסוללה מלאה לפני השימוש הראשון.

1. הניחו את בסיס הטעינה על משטח מאוזן בצמוד לקיר. חברו קצה אחד של המתאם החשמלי לבסיס הטעינה ואת קצהו השני לשקע.
2. הניחו את גוף השואב על בסיס הטעינה, על המסך יואר כדי לציין את מצב הטעינה. המספר במסך התצוגה מייצג את רמת הסוללה הנוכחית באחוז במהלך הטעינה. כאשר המספר הוא ב-100, הסוללה טעונה במלואה וֹ יכבה. אם לא מתבצעת פעולה בתוך 10 שניות, המסך יכבה באופן אוטומטי.



שימו לב: כאשר עוברים 15 דקות ללא פעולה לאחר שהסוללה מגיעה לטעינה מלאה, המכשיר נכנס למצב שינה.

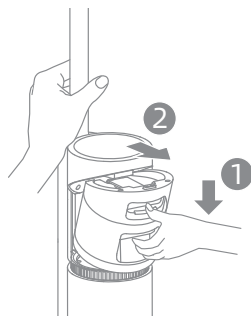
אופן השימוש

מלאו את מיכל המים הנקיים

2. פתחו את מכסה המיכל והוסיפו כמות מים מספקת למיכל המים הנקיים.

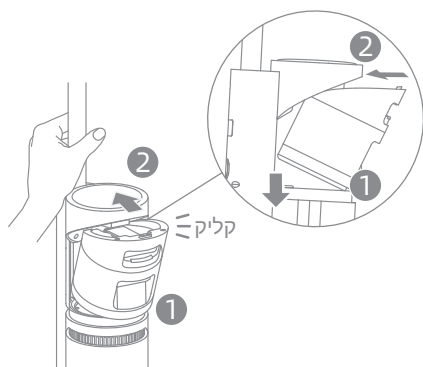


1. לחצו על הכפתור לשחרור מיכל המים הנקיים ומשכו את המיכל החוצה כדי להוציאו.



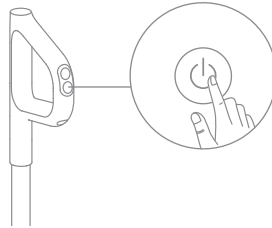
4. התקן את מיכל המים הנקיים וודא שהוא מתחבר למקומו.

3. סגור את כיסוי המיכל בחוזקה.

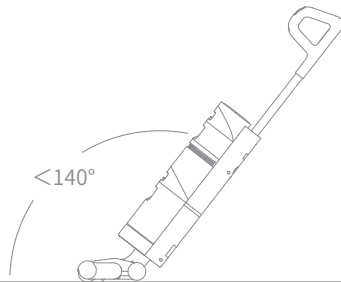


התחלת ניקוי

לחץ בקצרה על כפתור  כדי להפעיל, וגוף השואב יתחיל לנקות. גוף השואב מגיע עם מתג זקוף/שכיבה. יש לדרוך בעדינות על כיסוי המברשת ולהישען את גוף השואב לאחור כדי להתחיל לפעול. אם גוף השואב נמצא במצב זקוף בזמן העבודה, המשימה הנוכחית תושהה.



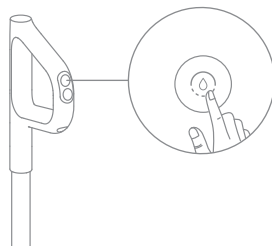
שימו לב: כאשר השואב אינו עובד, אין להרים אותו למעלה ולמטה או להזיזו, וכן אין להניח אותו בזווית על מנת למנוע זליגת המים המלוכלכים לתוך גוף המכשיר.



אין להטות את השואב בשיפוע של יותר מ-140 מעלות על מנת למנוע זליגת מים. אין להשתמש כדי לשאוב נוזלים מוקצפים.

מצב אוטומטי / מצב יניקה

השואב מופעל כברירת מחדל במצב אוטומטי, באפשרותך לעבור למצב יניקה בהתאם לצרכים שלך. מצב אוטומטי: השואב יתאים את עוצמת השאיבה על פי הלכלוך על הרצפה. מצב יניקה: השואב יכול לנקות את כתמי המים על הרצפה.



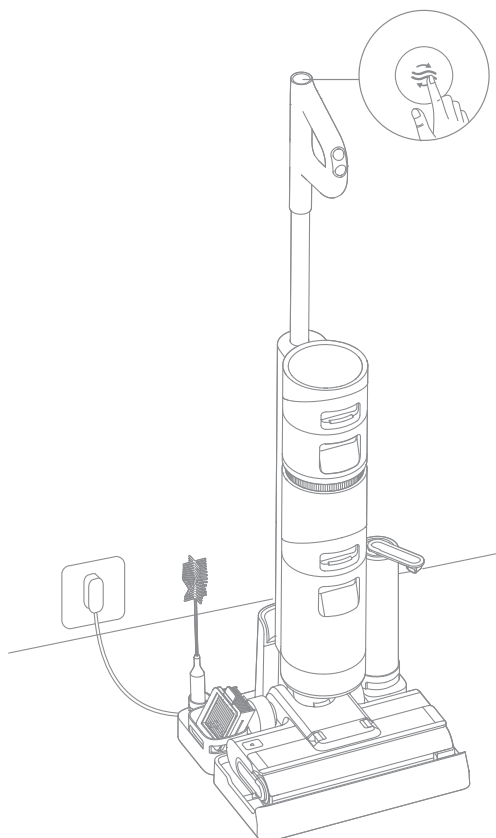
טיפול ואחזקה

שימו לב:

1. יש לכבות את גוף השואב לפני טיפול ותחזוקה.
2. יש להחליף חלקים על פי הצורך. אנא השתמשו בחלקים שנקבעו על ידי המפעל המייצר על מנת למנוע פגיעה במוצר עקב חוסר התאמה.
3. אם השואב אינו בשימוש לתקופה ארוכה, יש להטעינו עד שהסוללה מלאה, לנתק את המטען ולאחסן אותו במקום קריר יבש ומוצל. על מנת למנוע פריקת יתר של הסוללה יש להטעין לפחות פעם בשלושה חודשים.

ניקוי-עצמי בנגיעה אחת

- * פונקציית הניקוי-עצמי יכול להיות מופעל רק כאשר השואב טעון ויתרת הסוללה הינה מעל 15%.
1. הניחו את השואב אנכית על בסיס הטעינה אחרי הניקיון וודאו שמיכל המים הנקיים מלא.
 2. לחצו לרגע על כפתור הניקיון-עצמי שבחלקו העליון של ידית האחזקה, מחוון הניקוי-עצמי ידלק על המסך והניקיון יחל.
 3. השואב ימשיך להיטען לאחר שהניקוי-עצמי הסתיים.



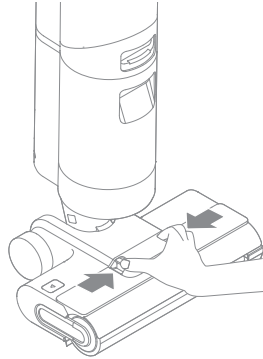
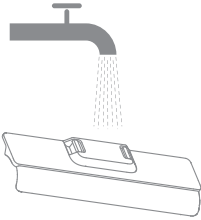
שימו לב: לאחר שהשואב משלים את הניקוי העצמי, נקה מיד את מיכל המים המשומשים. אם נותרו כתמים מסוימים על בסיס הטעינה, נקה את הבסיס.

ניקוי מכסה מברשת גלגלית

* נקה בעת הצורך.

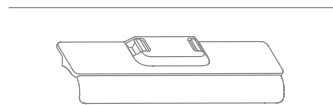
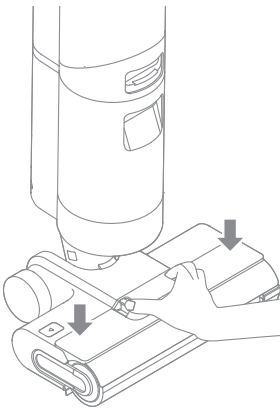
1. לחץ פנימה על כפתורי שחרור מכסה המברשת הגלגלית בשני קצותיו כדי להסיר את המכסה.

2. שטפו את המכסה במים נקיים או נגבו אותו במטלית.



4. התקן מחדש את המכסה בחזרה.

3. על המכסה להיות יבש לחלוטין לפני השימוש.

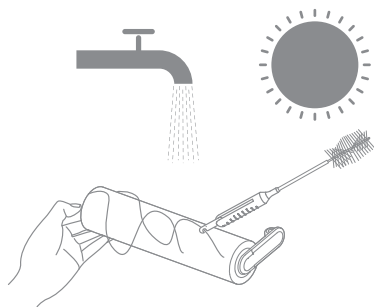


טיפול ואחזקה

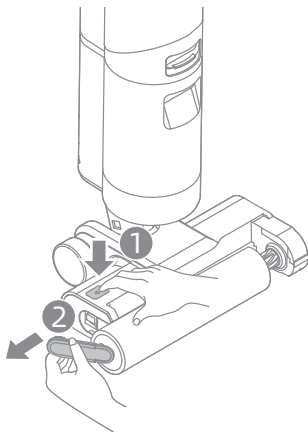
ניקוי מברשת גלגלית

* נקה בעת הצורך. מומלץ להחליפו כל 3-6 חודשים.

2. נקה את כל השיער והפסולת שהסתבכו על המברשת המגלגלית עם מברשת הניקוי המסופקת. יש לשטוף את המברשת המגלגלית במים נקיים ולייבש אותה לחלוטין.

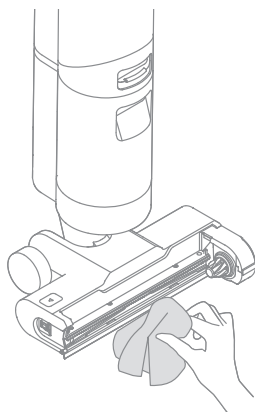
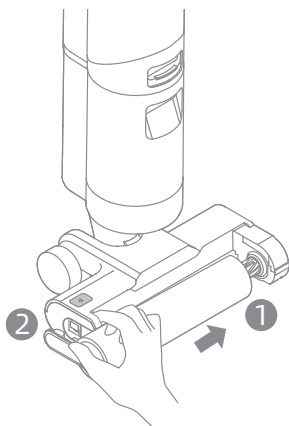


1. לחץ על כפתור לשחרור מברשת גלגלית, וידית מברשת גלגלית קופצת החוצה. משוך אותו כדי להוציא את לשחרור מברשת גלגלית.



4. לאחר ניקוי המברשת המגלגלית, יש ליישר ולדחוף את הקצה הימני לחריץ הימני במכלול המברשת ולחץ על ידית המברשת המגלגלית לחריץ השמאלי במכלול המברשת.

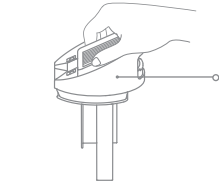
3. נגבו את האבק מפתחי הכניסה עם מטלית יבשה או מגבת נייר. אין לשטוף אותו במים.



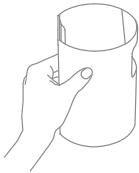
ניקוי מיכל המים המשומשים

* מומלץ לנקות את מיכל המים המשומשים לאחר כל שימוש ולפני ואחרי הפעלת פונקציית הניקוי העצמי.

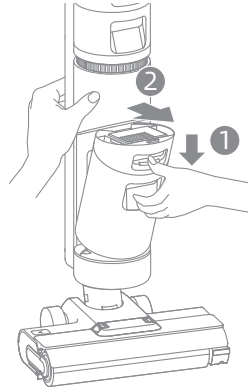
2. יש להחזיק את מיכל המים המשומשים ולהסיר את מכסה המיכל. שפוך את השפכים.



מכסה מיכל מים משומשים

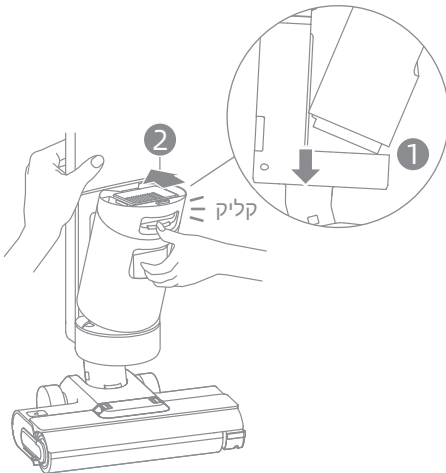


1. לחץ על כפתור שחרור מיכל המים המשומשים, ומשוך את מיכל המים המשומשים החוצה כדי להוציא אותו.



4. לאחר השלמת הניקיון סגרו את מכסה המיכל, הקליקו את תחתית המיכל לתוך פתח התושבת התומכת של השואב, ואז לחצו בעדיינות על המיכל עד להשמע הקליק, שמורה שהוא במקומו.

3. יש לשטוף את מיכל המים המשומשים ואת מכסה המיכל במים נקיים. נקה את הקיר הפנימי של המיכל בעזרת מברשת הניקוי המסופקת.



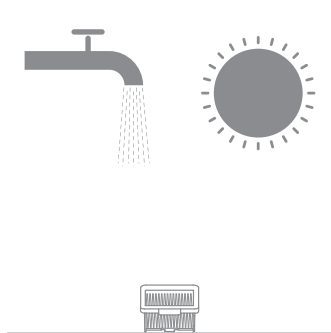
טיפול ואחזקה

ניקוי המסנן

* החלפו אותו כל 3 עד 6 חודשים.

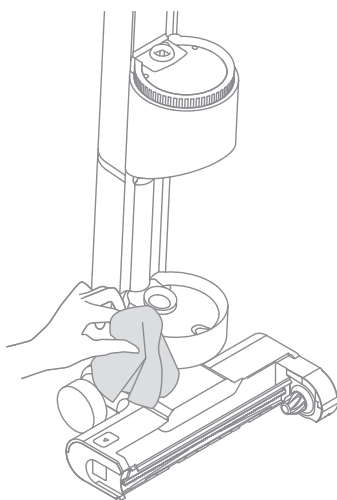
1. הסר את המסנן מהחלק העליון של מיכל המים המשומשים.

2. אם המסנן מלוכלך, יש לשטוף אותו במים נקיים ולייבש אותו לחלוטין לפני השימוש.



ניקוי הצינור


הסר את מיכל המים המשומשים, יש לנגב אותו עם מטלית לחה כדי לנקות את הצינור לפני השימוש.



שגיאות נפוצות	גורמים אפשריים	פתרונות
השואב אינו עובד.	הידית אינה מותקנת במקום.	התקן מחדש את הידית .
	השואב עם סוללה מרוקנת או נמוכה.	טענו את הסוללה במלואה לפני השימוש.
	השואב המצב אנכי.	הטעו את השואב בזווית.
	המברשת המגלגלית אינה מותקנת במקום, או המברשת המגלגלית מסובכת על ידי שערות ואינה מסוגלת לסובב.	התקן מחדש או נקה את המברשת המגלגלית.
	מיכל המים המשומשים אינו מותקן במקום.	התקן מחדש את מיכל המים המשומשים.
	מיכל המים המשומשים מלא.	רוקן את מיכל המים המשומשים.
	כוח יניקה חלשה.	המסנן סתום.
מכסה המברשת המגלגלית, המסנן או מיכל המים הנקיים אינם מותקנים במקום.		יש להתקין את מכסה המברשת המגלגלית, המסנן ומיכל המים הנקיים במקום לפני השימוש.
המברשת המגלגלית מסובכת על ידי שערות.		עיין במדריך התחזוקה [ניקוי המברשת המגלגלית].
יש עצמים זרים בתוך הצינור או שהצינור חסום.		נקו את הצינור.
המנוע מוציא רעשים מוזרים.	יותר מדי מים מלוכלכים במיכל המים המשומשים.	רוקן את מיכל המים המשומשים.
	פתח היניקה הראשי חסום.	הסירו על חסימה מפני פתח היניקה הראשי.
מחונן מצב הסוללה אינה נדלקת בזמן הטעינה.	מתאם החשמל אינו בשקע.	אנא וודאו שמתאם החשמל תקוע בשקע כראוי.
	מתאם החשמל אינו מחובר כראוי לבסיס הטעינה.	אנא וודאו שהוא מחובר כראוי.
	בסיס הטעינה אינו מחובר כראוי לשואב.	אנא וודאו שהשואב במקום.

שגיאות נפוצות	גורמים אפשריים	פתרונות
אין זרם מים מתוך המכשיר.	מיכל המים הנקיים אינה מותקנת במקומה, או שמיכל המים הנקיים ריק.	התקינו מחדש או מלאו את מיכל המים הנקיים.
נזילת מים מחלקו העליון של מיכל המים המלוכלכים.	התנגשות או משיכה חזקה גורמת למים להכנס למנוע.	היזינו קדימה ואחורה בעדינות כאשר גוף השואב דלוק.
	המסנן לא התייבש לחלוטין לאחר הנקיון.	בשו את המסנן לפני השימוש.
נקיון עצמי נכשל.	המברשת המגלגלית עשויה להיות תקועה על ידי חלקיקים גדולים.	פתח את מכסה המברשת המגלגלית כדי לבדוק ולנקות את המברשת המגלגלית.
	השואב אינו נטען.	וודאו שהשואב טעון לפני הפעלת הנקיון-עצמי.
	הנקיון-עצמי לא יכול להיות מופעל אם רמת הסוללה נמוכה מ-15%.	פונקציית הנקיון העצמי יכול להיות מופעל רק כאשר רמת הסוללה הינה יותר מ-15%.
	מיכל המים המשומשים אינו מותקן במקום, או מיכל המים המשומשים מלא.	התקן מחדש או רוקן את מיכל המים המשומשים.
	מיכל המים הנקיים אינה מותקנת במקומה, או שמיכל המים הנקיים ריק.	התקינו מחדש או מלאו את מיכל המים הנקיים.

אם השואב אינו עובד כראוי, המסך יציג הודעת שגיאה. אנא עיינו בטבלת תפעול התקלות בכדי למצוא את הפתרון.

פתרונות	גורמים אפשריים	סמל שגיאה
מלאו את מיכל המים הנקיים.	אין מספיק מים במיכל מים נקיים	
התקן את מיכל המים המשומשים.	מיכל מים משומשים לא הותקן	
רוקן את מיכל המים המשומשים.	מיכל המים המשומשים מלא	
נקה את המברשת המגלגלית בעזרת מברשת הניקוי שסופקה.	מברשת גלגלית תקועה	
התקן את המברשת המגלגלית.	מברשת מגלגלית אינה מותקנת	
אנא בדוק אם המסנן סתום.	צינור חסום	
יש לעיין במדריך התחזוקה [ניקוי הצינור] סעיף.		

פתרונות	גורמים אפשריים	קוד תפעול
אנא צרו קשר עם שירות לקוחות.	תקלת מנוע	E1/EE/EF
אנא צרו קשר עם שירות לקוחות.	תקלת סוללה	E2/E3/E7/E8/E9
אנא השתמשו במתאם חשמלי המקורי, או ייצרו קשר עם שירות הלקוחות.	מתאם חשמלי לא מתאים	E4/E5
המתנו עד שטמפרטורת הסוללה תחזור להיות תקינה.	סוללה בהתחממות יתר	E6

שואב אבק ומכונת כביסה לרצפה רטובה ויבשה			
מודל	HHR14B	זמן טעינה	בערך 5 שעות
מתח מדורג	21.6 V ===	מתח טעינה	26 V ===
כוח מדורג	200 W	קיבולת מדורגת	3650 mAh
קיבולת נומנלית	4000 mAh	קיבולת מיכל מים משומשים	500 mL
תוכלת מיכל מים נקיים	900 mL		
מתאם חשמלי			
מודל	YLS0251B-E260090	יעילות פעילה ממוצעת	87.28%
כניסה	100-240 V ~ 50/60 Hz 0.8 A Max	יעילות בעומס נמוך (10%)	79.74%
יציאה	26 V === 0.9 A	צריכת חשמל ללא טעינה	0.08 W

- חבילת הסוללות של ליתיום-און מכילה חומרים מסוכנים לסביבה. לפני השלכת המכשיר, ראשית הסר את חבילת הסוללה, וזו זרק אותה, או מחזר אותה בהתאם לחוקים ולתקנות המקומיים של המדינה או האזור בהם הוא משמש.
- יש לנתק את המכשיר מספק החשמל בעת הסרת הסוללה. יש להרחיק סוללות מהישג ידם של ילדים. לעולם אל תשים סוללות בפה. במקרה של בליעה, יש לפנות לרופא או לבקרת רעלים מקומית.
- בתנאים פוגעניים, לעולם אל תיגע בסוללה שממנה ניתן להוציא את הנוזל. אם מגע בטעות, יש לשטוף במים. אם הנוזל מגע בעיניים, יש לפנות מיד לעזרה רפואית. נוזל שנפלט מהסוללה עלול לגרום לגירוי או לכוויות.

معلومات السلامة

تعليمات هامة

للاستخدام المنزلي فقط

- يرجى قراءة هذا الدليل بعناية قبل الاستخدام والاحتفاظ به للرجوع إليه في المستقبل.
- عند استخدام الأجهزة الكهربائية يجب دائماً اتباع خطوات السلامة التالية:
- (اقرأ جميع التعليمات قبل استخدام هذا الجهاز). قد يؤدي عدم اتباع التحذيرات والتعليمات إلى حدوث صدمة كهربائية أو حريق أو إصابة خطيرة.

تحذير -تقليل مخاطر نشوب حريق أو صدمة كهربائية أو إصابة:

- استخدم كما يبين دليل المستخدم هذا. استخدم فقط المرفقات الموصى بها من الشركة المصنعة.
- استخدم في الداخل فقط على أسطح الأرضيات غير المغطاة بالسجاد مثل الفينيل والبلاط والخشب المختوم و ما إلى ذلك، احرص على عدم دهس الأشياء السائبة أو حواف البسط. فقد يؤدي الى توقف الفرشاة وفشل الحز ام المبكر.
- يجب ألا يستخدم هذا المنتج الأطفال دون سن 8 أعوام أو الأشخاص الذين يعانون من عيوب جسدية أو حسية أو فكرية أو خبرة أو معرفة محدودة من دون إشراف أحد الوالدين أو الوصي لضمان التشغيل الآمن وتجنب أي مخاطر. يجب ألا يعمد الأطفال على التنظيف والصيانة دون إشراف.
- يرجى عدم استخدام هذا المنتج من قبل الأشخاص الذين يعانون من مشاكل جسدية أو حسية أو عقلية (بما في ذلك الأطفال) ، أو نقص الخبرة والمعرفة ، ما لم يتم منحهم الإشراف أو التعليمات المتعلقة باستخدام المنتج من قبل شخص مسؤول عن سلامتهم .
- تجنب استعمال سوائل قابلة للاشتعال أو قابلة للاحتراق لتنظيف الأرضيات.
- تجنب استخدام في تنظيف المواد القابلة للاشتعال أو الاحتراق مثل البنزين. لا تستخدم في المناطق التي قد توجد فيها سوائل قابلة للاشتعال أو قابلة للاحتراق.
- استخدم فقط المحول القابل للفصل المرفق مع هذا المنتج عند شحن البطارية. يستخدم فقط مع المحولات التالية < YLS0251B-E260090 >.
- قد تؤدي المحولات الخاصة بنوع واحد من مجموعات البطاريات إلى نشوب حريق عند استخدامها مع نوع آخر من مجموعات البطاريات.
- الفشاء البلاستيكي يمكن أن يكون خطيراً. لتجنب خطر الاختناق، احفظه بعيداً عن متناول الأطفال.
- تجنب انجذاب الشعر والملابس الفضفاضة والأصابع وجميع أجزاء الجسم الى الفتحات والأجزاء المتحركة للجهاز وملحقاته.
- استخدم فقط نوع وكمية السوائل المحددة في قسم العمليات في هذا الدليل. يجب عدم توجيه السائل نحو المع دات التي تحتوي على مكونات كهربائية.
- تجنب وضع أي شيء في الفتحات ، وتجنب استخدام الجهاز عند انسداد أي فتحة ، حافظ على نظافة فتحات تدفق الهواء من الغبار والوبر والشعر وأي شيء قد يؤدي على الانسداد.
- لا تستخدم المكنسة في حال عدم وجود فلترات.
- لا تستخدم الجهاز مع محول تالف، في حالة تلف المحول يجب استبداله من قبل الشركة المصنعة أو وكيل الخدمة أو أي شخص مؤهل مماثل لتجنب أي خطر.
- لا تلتقط مواد سامة (مبيض الكلور، الأمونيا، منظف المصارف، إلخ). لا تلتقط أشياء صلبة أو حادة مثل الزجاج وال مسامير والبراغي والعملات المعدنية، إلخ.
- لا تستخدم المكنسة في مكان مغلق مملوء بالبخار المنبعث من الطلاء الزيتي أو مخفف الطلاء أو بعض مواد أو غ بار قابله للاشتعال أو أي بخار متفجر أو سام آخر. لا تلتقط أي شيء يحترق أو يدخن ، مثل السجائر أو أعواد النق اب أو الرماد الساخن.
- قم بإتباع تعليمات الشحن وتجنب شحن الجهاز خارج نطاق درجة الحرارة المحدد في البطارية لأن القيام بذلك قد يؤدي إلى نشوب حريق أو تلف البطارية.
- يجب عدم فصل أطراف مخارج قاعدة الشاحن. يرجى عدم استخدامه في حالة تلف قاعدة الشحن. في حالة سقوط الجهاز أو تلفه أو تركه بالخارج أو سقوطه في الماء أو عدم عمله بشكل صحيح ، فأعده إلى مركز الخدمة.
- لا تستخدم الجهاز مع محول تالف، في حالة تلف المحول يجب استبداله من قبل الشركة المصنعة أو وكيل الخدمة أو أي شخص مؤهل مماثل لتجنب أي خطر.
- لا تستخدم الجهاز مع محول تالف، في حالة تلف المحول يجب استبداله من قبل الشركة المصنعة أو وكيل

معلومات السلامة

- الخدمة أو أي شخص مؤهل مماثل لتجنب أي خطر.
- قم بإيقاف تشغيل المكنسة عند عدم استخدام وقبل تنظيفها أو صيانتها وقيل توصيلها أو فصلها بفرشاة الدوارة.
- لا تستخدم مكنسة تالفة أو معدلة. قد تؤدي البطاريات التالفة أو المعدلة إلى نشوب حريق أو انفجار أو خطر الإصابة.
- لا تعرض الجهاز للنار أو الحرارة الزائدة. فقد يؤدي فقد يتعرض للحريق أو درجة الحرارة الزائدة إلى حدوث انفجار.
- تأكد من أن الجهاز موضوع على سطح أفقي. لا تستخدم الجهاز في نفس الموضع إذا كان الجهاز مزودًا بفرشاة دوارة وكان المقبض غير مستقيم تمامًا. لا تقم بتخزين الجهاز في مكان يمكن أن يتجمد فيه.
- توخي الحذر عند تنظيف السلالم.
- تجنب بدء التشغيل غير المقصود. تأكد من أن المفتاح في وضع إيقاف التشغيل قبل التقاط الجهاز أو حمله. يؤدي حمل الجهاز بإصبعك على المفتاح أو الجهاز المنشط الذي يحتوي على المفتاح إلى وقوع حوادث.
- يحتوي هذا المنتج على بطاريات لا يمكن استبدالها إلا من قبل الفنيين المؤهلين أو خدمة ما بعد البيع.

معلومات السلامة

معلومات هامه

إجراءات حماية هامة

- قم بإجراء الصيانة بواسطة فني إصلاح مؤهل باستخدام قطع غيار أصلية. سيضمن ذلك الحفاظ على سلامة المنتج.
- لا تقم بتعديل أو محاولة إصلاح الجهاز باستثناء ما هو مبيّن في تعليمات الاستخدام والعناية.
- لا تستخدم الجهاز في البيئات شديدة الحرارة أو البرودة (أقل من 0 درجة مئوية / 32 درجة فهرنهايت أو أعلى من 40 درجة مئوية / 104 درجة فهرنهايت). يرجى شحن الجهاز في درجة حرارة أعلى من 0 درجة مئوية / 32 درجة فهرنهايت وأقل من 40 درجة مئوية / 104 درجة.
- في حالة سقوط الجهاز أو تلفه أو تركه بالخارج أو سقوطه في الماء أو لا يعمل طبيعياً، فلا تحاول أبداً تشغيله. يرجى إصلاحها في مركز خدمة معتمد.

وحدة إمداد قابلة للفصل 

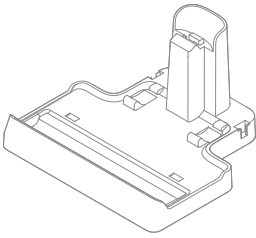
اقرأ دليل المشغل 

للحصول على دليل إلكتروني مفصل، يُرجى الانتقال إلى

<https://global.dreametech.com/pages/user-manuals-and-faqs>

مقدمة عن المنتج

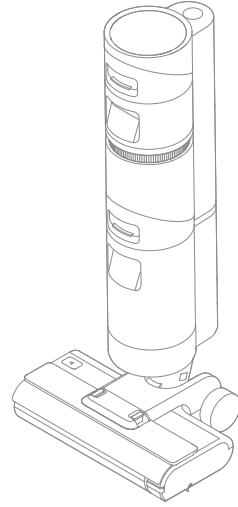
قائمة التعبئة



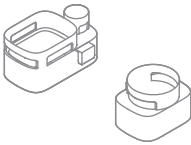
قاعدة الشحن



المقبض



الجسم الرئيسي



حامل الملحقات



فرشاة تنظيف



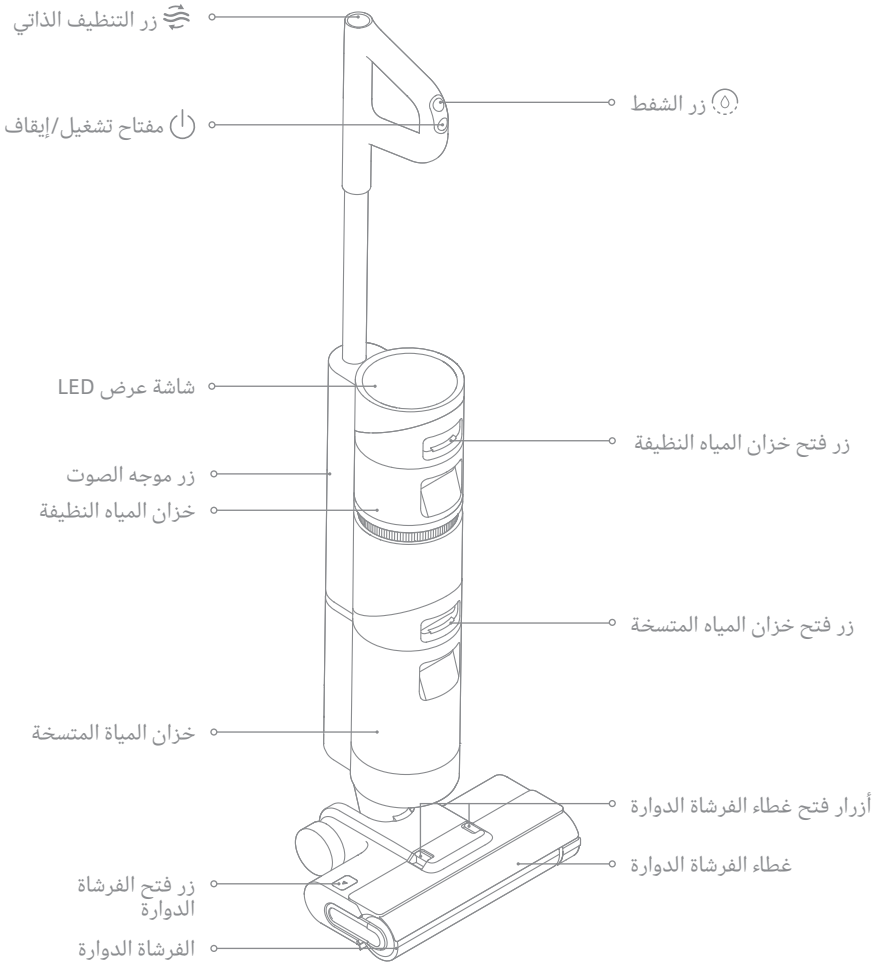
محول الطاقة



فرشاة دوارة احتياطي

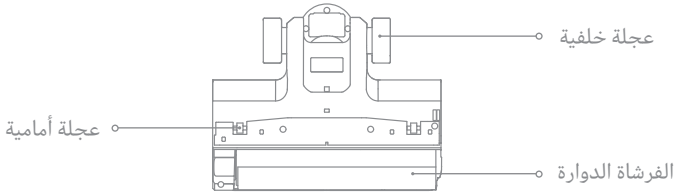


فلتر احتياطي

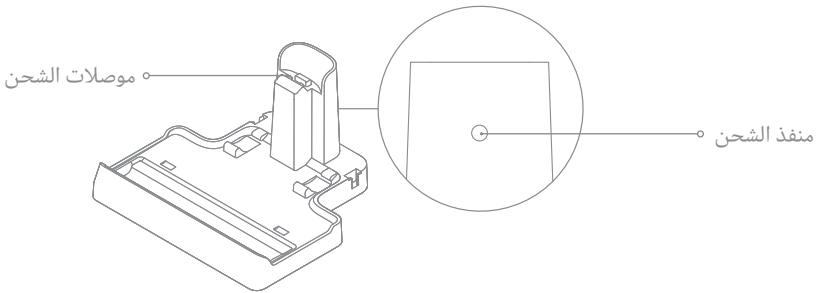


مقدمة عن المنتج

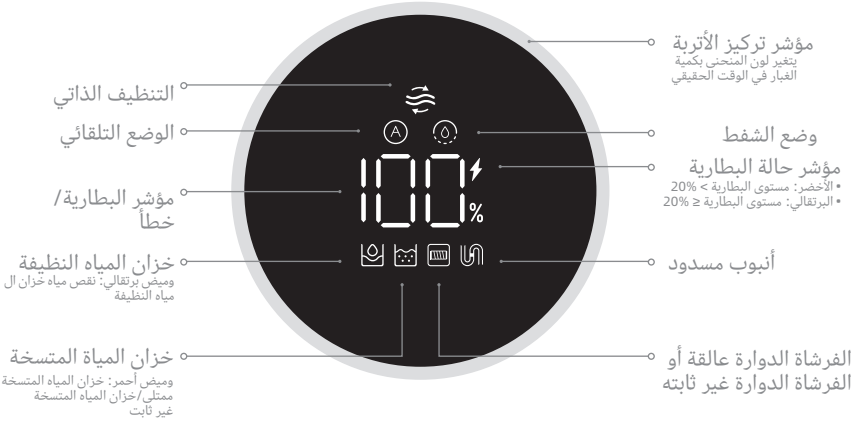
ملحقات الفرشاة



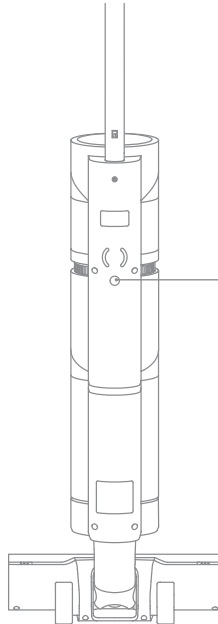
قاعدة الشحن



شاشة العرض



زر موجة الصوت

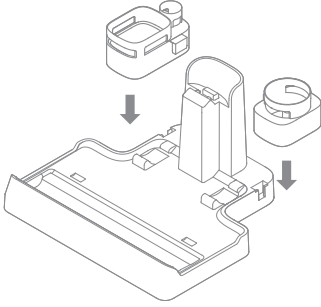


زر موجة الصوت
• اضغط لفترة قصيرة لتشغيل أو ضبط مستوى الصوت
• اضغط مع الاستمرار لمدة 3 ثوانٍ للتبديل بين اللغات

التثبيت

تثبيت قاعدة الشحن

قم بتثبيت حامل الملحقات على قاعدة الشحن



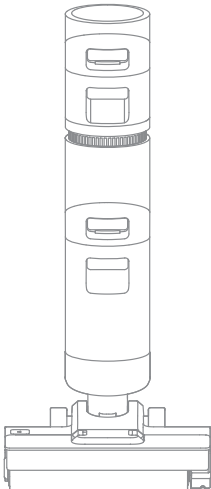
تثبيت الجهاز بالكامل

أدخل نهاية وحدة المقبض عمودياً في المدخل الموجود أعلى المكنسة كما هو موضح، وسيكون التثبيت ناجحاً بعد سماع نقرة.

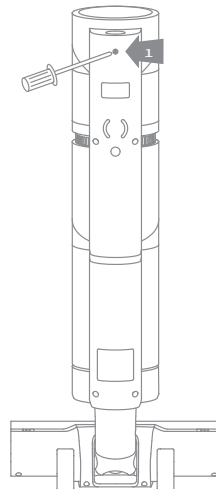
ملاحظة: لتفكيك المقبض، يرجى استخدام جسم صلب للوصول إلى الفتحة الموجودة في الجزء الخلفي من المكنسة للضغط على جهة الاتصال، وفي نفس الوقت أسحب المقبض لأعلى.



انقر

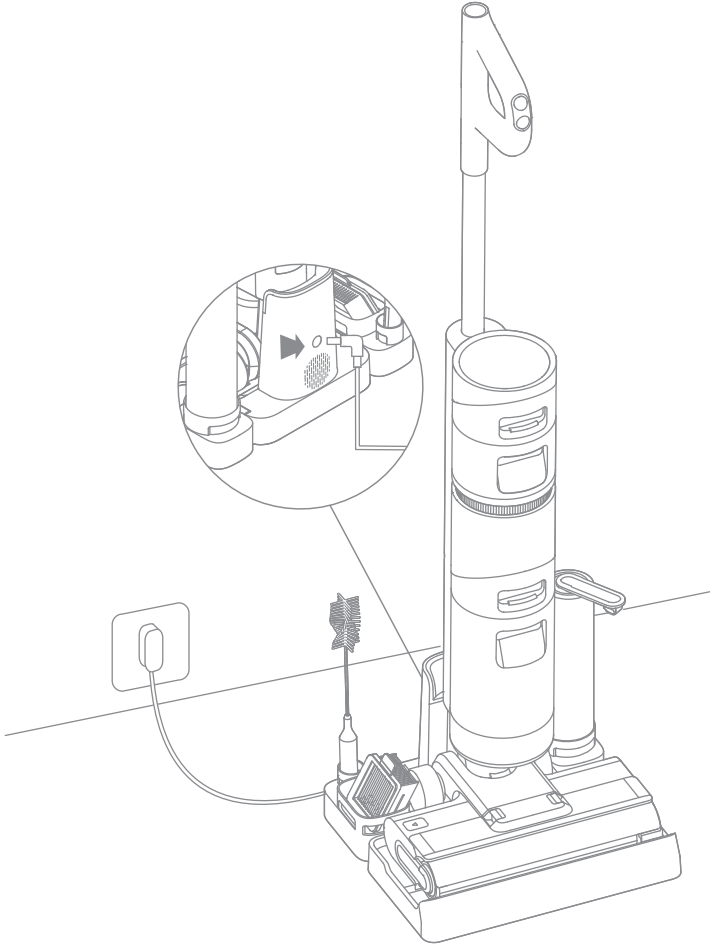


2



نصيحة: اشحن البطارية بالكامل قبل استخدامها لأول مرة.

1. ضع قاعدة الشحن على أرض مستوية موازية للحائط، وقم بتوصيل أحد طرفي محول الطاقة بقاعدة الشحن وال طرف الآخر بالمصدر الكهربائي.
2. قم بوضع المكنسة على قاعدة الشحن ، سيضيء ⚡ على الشاشة مشيراً الى بدء شحن المكنسة. الرقم الموجود بشاشة العرض يمثل مستوى البطارية ، وعند ظهور الرمز المئوي 100% يوضح اكتمال الشحن ، وسيتم إيقاف تشغيل ⚡ إذا لم يتم تنفيذ أي عملية في غضون 10 ثوانٍ ، سيتم إيقاف تشغيل الشاشة تلقائيًا.



ملاحظة: بعد 15 دقيقة من عدم التشغيل بعد الشحن الكامل ، تبدأ المكنسة في الدخول بوضع السكون.

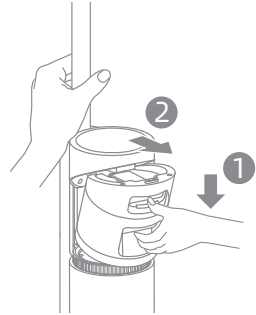
كيفية الاستخدام

ملء خزان الماء النظيفة

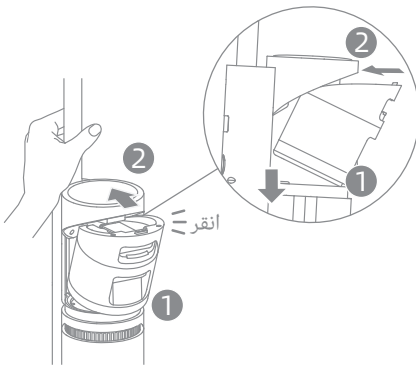
2. افتح غطاء الخزان وأضف ما يكفي من الماء
النظيف إلى خزان المياه النظيفة.



1. اضغط على زر فتح خزان المياه النظيفة واسحب
الخزان للخارج لإزالته.




4. قم بتركيب خزان المياه النظيفة وتأكد من تثبيته
بشكل جيد في مكانه.

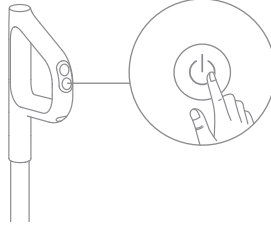


3. أغلق غطاء خزان المياه النظيفة بإحكام.

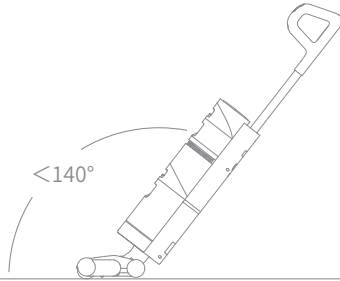


بدء التنظيف

اضغط قصيرا على الزر  لتشغيل المكنسة وبدء التنظيف تأتي المكنسة الكهربائية بمفتاح رأسي/مائل. يرجى الضغط برفق على غطاء الفرشاة وإمالة المكنسة للخلف لبدء التشغيل. إذا كانت المكنسة في وضع رأسي أثناء العمل ، سيتم إيقاف التشغيل.



نصيحة: عندما تعمل، لا ترفعها لأعلى ولأسفل أو تحريكها، ولا تقم بإمالة المكنسة إلى جانب واحد أو وضعها بشكل مسطح لمنع تدفق مياه الصرف الصحي إلى المحرك.

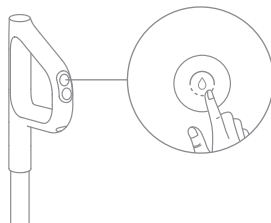


لا تقم بإمالة المكنسة أكثر من 140 درجة لتجنب تسرب المياه.

لا تستخدم لتفريغ أي سوائل رغووية.

الوضع الآلي/وضع الشفط

ال فراغ يعمل أداء افتراضي بوصة Auto نمط إلى نمط امتصاص بناءً على احتياجاتك. الوضع التلقائي: تقوم المكنسة بضبط قوة الشفط وفقاً لكمية الاوساخ الموجودة على الأرض. وضع الشفط: يمكن للمكنسة تنظيف بقع الماء على الأرض.



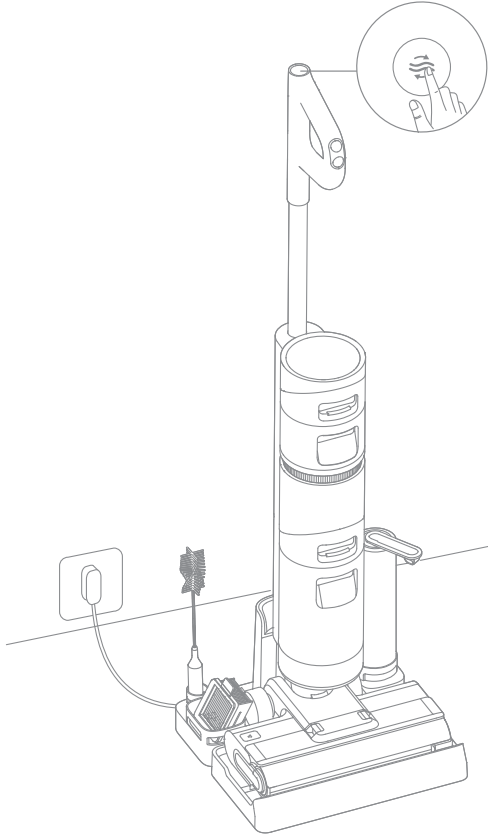
العناية والصيانة

نصائح:

1. قم بإيقاف تشغيل المكنسة الكهربائية قبل تنظيفها أو الصيانة.
2. يجب استبدال الأجزاء إذا لزم الأمر، يرجى استخدام الأجزاء المحددة من قبل المصنع الأصلي لتجنب تلف المنتج بسبب عدم ملاءمته.
3. في حالة عدم استخدام المكنسة الكهربائية لفترة طويلة، يرجى شحنها بالكامل، وفصل الشاحن الخاص بها، ومن ثم تخزينها في بيئة باردة منخفضة الرطوبة بعيداً عن أشعة الشمس المباشرة. لتجنب الإفراط في تفريغ البطارية، أعد شحن المكنسة في مرة واحدة على الأقل كل 3 أشهر.

التنظيف التلقائي بنقرة زر

- * لا يمكن تمكين وظيفة التنظيف الذاتي إلا عند شحن المكنسة الكهربائية ومستوى البطارية أكثر من 15%.
1. ضع المكنسة في وضع مستقيم على قاعدة الشحن بعد عمليات التنظيف المحددة وتأكد من امتلاء خزان المياه التنظيفية.
 2. اضغط على زر التنظيف الذاتي أعلى المقبض قصيرا، وسيضيء مؤشر التنظيف الذاتي على الشاشة، وسيبدأ التنظيف الذاتي.
 3. ستستمر المكنسة في الشحن بعد الإنتهاء من التنظيف الذاتي.



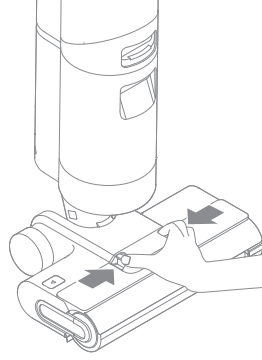
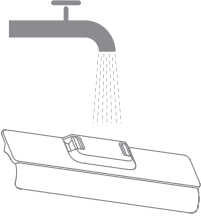
ملاحظة: وبعد أن يكمل الفراغ عملية التنظيف الذاتي، يقوم بتنظيف خزان المياه المستخدم بسرعة. إذا تركت بعض البقع على قاعدة الشحن، نظف القاعدة.

تنظيف غلاف الفرشاة

* التنظيف حسب الحاجة.

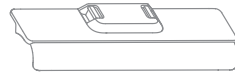
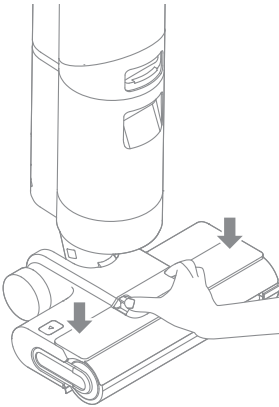
1. اضغط على أزرار إفراز غلاف الفرشاة في كلا الطرفين إلى الداخل لإزالة الغطاء.

2. اشطف الغطاء بالماء النظيف أو امسحه بقطعة قماش.



4. أعد تثبيت الغطاء الخلفي.

3. يجب تجفيف الغطاء جيدًا قبل الاستخدام.



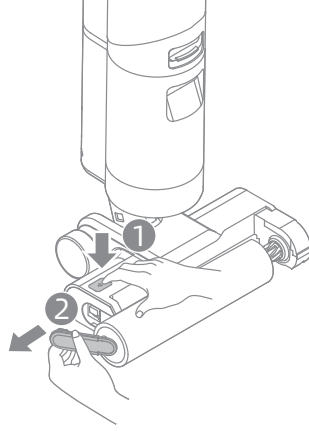
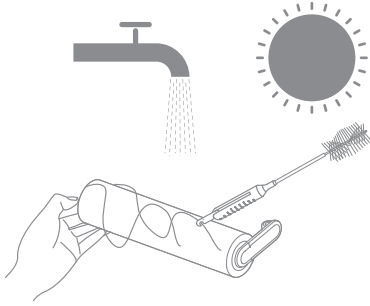
العناية والصيانة

تنظيف الفرشاة

* ينظف حسب الحاجة، ويوصى باستبداله كل 3 إلى 6 أشهر.

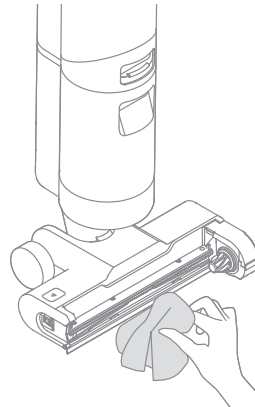
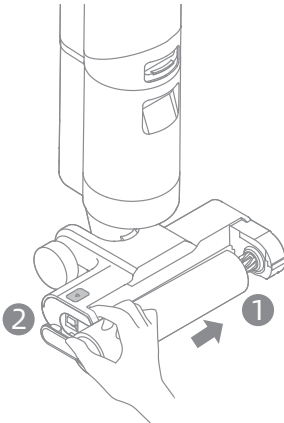
2. نظف أي شعر أو حطام مشابه على فرشاة الفرشاة مع فرشاة التنظيف المقدمة. شطف فرشاة الدوارة مع الماء النقي وتجفيفه تماما.

1. اضغط على زر الفرشاة، ومقبض الفرشاة يخرج. إسحبه لإخراج دوارة الفرشاة.



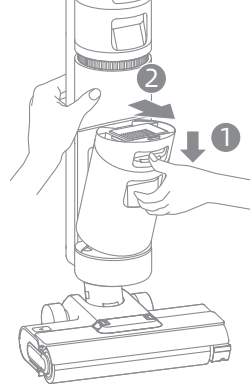
4. بعد تنظيف دوارة الفرشاة، محاذاة ودفع الطرف الأيمن إلى فتحة اليمين على تجمع الفرشاة وضغط مقبض الفرشاة إلى فتحة اليسار على تجمع الفرشاة.

3. امسح الغبار عن مدخل الغبار بقطعة قماش جافة أو منشفة ورقية، ولا تشطفه بالماء أبداً.



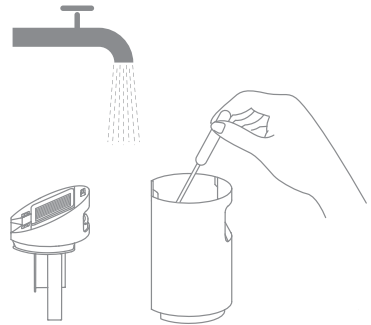
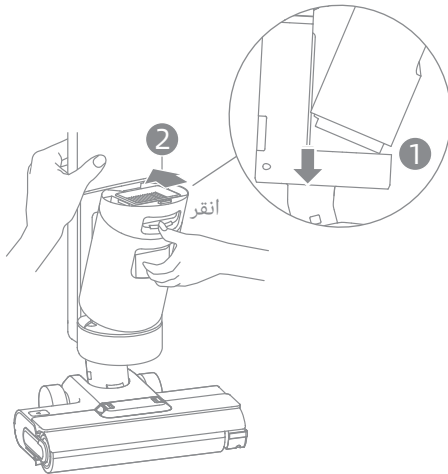
تنظيف خزان المياه المستخدم

- * يوصى بتنظيف خزان المياه المستخدم بعد كل استخدام وقبل وبعد تمكين وظيفة التنظيف الذاتي.
1. اضغط على زر إطلاق خزان المياه المستخدم، وسحب خزان المياه المستخدم إلى الخارج لإخراجه.
 2. أمسك خزان المياه المستخدم وأزبل غطاء الخزان. صب خارج المياه المستعملة.



4. بعد الانتهاء من التنظيف، أغلق غطاء الخزان، وادفع قاع الخزان إلى موضع دعم المكنسة، ثم ادفع الخزان برفق حتى تسمع صوت طقطقة، مما يشير إلى أنه في مكانه.

3. شطف خزان المياه المستخدم وغطاء الخزان بالماء النقي. نظف الجدار الداخلي للخزان بفرشاة التنظيف.



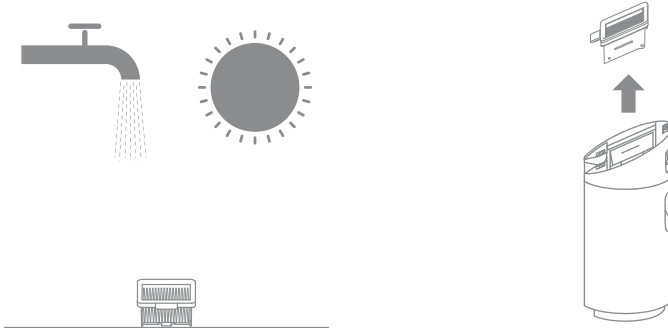
العناية والصيانة

تنظيف الفلتر

* ينصح باستبدله كل 3 إلى 6 أشهر.

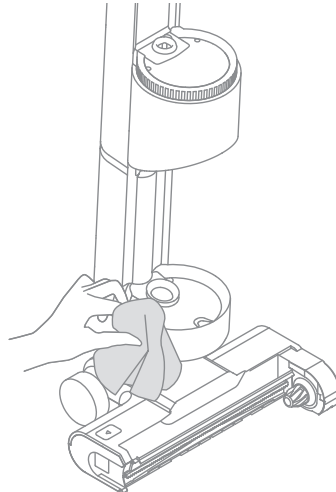
1. إزالة الفلتر من أعلى خزان المياه المتسخة.

2. إذا كان الفلتر متسخًا ، اشطفه بالماء النظيف وجففه تمامًا قبل الاستخدام.



تنظيف الأنبوب

إزال خزان المياه المتسخة، وقم بمسحة بقطعة قماش رطبة رطب ونظف الأنبوب قبل الاستخدام.



أعطال شائعة	سبب محتمل	الحلول
المكنسة لا تعمل.	المقبض غير مثبت في مكانه.	يرجى إعادة تثبيت المقبض في مكانه قبل الاستخدام.
	لا يوجد طاقة بالمكنسة أو البطارية م منخفضة.	اشحن بطاريته بالكامل قبل الاستخدام.
	المكنسة في وضع مستقيم.	قم بأماله المكنسة قبل الاستخدام.
	الفرشاة الدوارة ليست مثبتة في مكانها، أو أن الفرشاة الدوارة متشابكة بالشعر وغير قادرة على الدوران.	إعادة تثبيت أو تنظيف الفرشاة الدوارة.
	خزان المياه المتسخة غير مثبت في مكانه.	إعادة تثبيت خزان المياه المتسخة.
	خزان المياه المتسخة ممتلئ.	أفرغ خزان المياه المتسخة.
قوة شفط ضعيفة.	انسداد الفلتر.	يرجى تنظيف الفلتر.
	لم يتم تثبيت غطاء الفرشاة الدوارة والفلتر أو خزان المياه النظيفة.	قم بتثبيت غطاء الفرشاة الدوارة والفلتر أو خزان المياه النظيفة.
	الفرشاة الدوارة متشابكة بالشعر.	راجع قسم دليل الصيانة [تنظيف الفرشاة الدوارة].
	هناك بعض الأجسام الغريبة في الأنبوب ب أو الأنبوب مسدود.	الرجاء تنظيف الأنبوب.
يصدر المحرك ضوضاء غريبة.	خزان المياه المتسخة ممتلئ.	أفرغ خزان المياه المتسخة.
	فتحة الشفط الرئيسية مسدودة.	قم بإزالة أي انسداد في فتحة الشفط الرئيسية.
لا يضيء مؤشر حالة البطارية أثناء الشحن.	محول الطاقة غير متصل بالمصدر ال كهربائي.	تأكد من توصيل محول الطاقة بشك ل صحيح.
	محول الطاقة غير متصل بقاعدة الشح ن بالشكل الصحيح.	تأكد من توصيلهما بشكل صحيح.

مشاكل شائعة

أعطال شائعة	سبب محتمل	الحلول
لا يضيء مؤشر حالة الب طارية أثناء الشحن.	قاعدة الشحن غير متصلة بالمكنسة الكه ربائية بشكل صحيح.	تأكد من أن المكنسة الكهربائية في مكانها.
لا يتدفق الماء من المكنسة.	لم يتم تثبيت خزان المياه النظيفة في م كانه، أو أن خزان المياه النظيفة فارغ.	أعد تثبيته أو ملء خزان الماء النظ يفة.
تسرب المياه من أعل ى خزان المياه المت سخة.	يتسبب التصادم أو السحب الحاد في دخول الماء إلى المحرك.	يرجى التحريك زهاباً وإياباً وبرفق عند تشغيل المكنسة.
	لم يجفف الفلتر جيداً بعد تنظيفه.	جفف الفلتر جيداً قبل الاستخدام.
لا يعمل أثناء التنظيف الذاتي.	الفرشاة الدوارة قد تكون اصطدمت بأجسام كبيرة.	افتح غطاء الفرشاة الدوارة لتفقد وتنظيف الفرشاة.
	لم يتم شحن المكنسة الكهربائية.	تأكد من شحن المكنسة الكهربائية قب ل تنشيط وظيفة التنظيف الذاتي.
	لا يمكن بدء التنظيف الذاتي إذا كان مستوى البطارية أقل من 15%.	في حالة الشحن، انتظر حتى تزيد الطاقة عن 15% قبل بدء وظيفة التنظيف الذاتي.
	خزان المياه المتسخة غير مثبت في مكانه، أو خزان المياه المتسخة ممتلئ.	إعادة تثبيت أو إفراغ خزان المياه المتسخة.
	لم يتم تثبيت خزان المياه النظيفة في م كانه، أو أن خزان المياه النظيفة فارغ.	أعد تثبيته أو ملء خزان الماء النظ يفة.

استكشاف الأخطاء وإصلاحها

إذا كانت المكنسة الكهربائية لا تعمل بشكل صحيح، ستظهر على الشاشة رسالة خطأ. يرجى الرجوع إلى جدول استكشاف الأخطاء وإصلاحها للعثور على الحل الخاص بك.

مؤشر العطل	السبب	الحلول
	المياه غير كافية في خزان المياه النظيفة	يرجى ملئ خزان الماء التنظيف.
	خزان المياه المتسخة غير مثبت	تثبيت خزان المياه المتسخة.
	خزان المياه المتسخة ممتلئ	أفرغ خزان المياه المتسخة.
	الفرشاة الدوارة عالقة	نظف الفرشاة الدوارة مع فرشاة التنظيف المتقدمة.
	الفرشاة غير مثبتة	تثبيت الفرشاة الدوارة.
	أنبوب مسدود	يرجى التحقق مما إذا كان الفلتر مسدوداً.
		راجع قسم دليل الصيانة [تنظيف الأنبوب] عند التنظيف.

كود العطل	السبب	الحلول
E1/EE/EF	عطل بالمكنسة	يرجى الاتصال بخدمة العملاء.
E2/E3/E7/E8/E9	عطل بالبطارية	يرجى الاتصال بخدمة العملاء.
E4/E5	محول الطاقة غير متطابق	يرجى استخدام محول الطاقة الأصلي ، أو الاتصال بخدمة العملاء.
E6	ارتفاع درجة حرارة البطارية	انتظر حتى تعود درجة حرارة البطارية إلى وضعها الطبيعي.

مكنسة أسطح رطبة وجافة			
الموديل	HHR14B	وقت الشحن	حوالي 5 ساعات
الفولطية	21.6 V ===	جهد الشحن	26 V ===
القوة المصنفة	200 W	تقييم القدرة	3650 mAh
القدرة الاسمية	4000 mAh	سعة خزان المياه المتسخة	500 mL
سعة خزان المياه النظيفة	900 mL		
محول الطاقة			
الموديل	YLS0241A-U260090 (UK) / YLS0251B-E260090 (EU)	متوسط الكفاءة الفعالة	87.28%
إدخال	100-240 V ~ 50/60 Hz 0.8 A Max	الكفاءة عند الحمل العالي (10%)	79.74%
الإخراج	26 V === 0.9 A	استهلاك الطاقة بدون حمل	0.08 W

- تحتوي حزمة بطارية الليثيوم على مواد ضارة بالبيئة ، قبل التخلص من الجهاز يرجى أولاً إزالة البطارية ، ثم التخلص منها أو إعادة تدويرها وفقاً للقوانين واللوائح المحلية للدولة أو المنطقة المستخدمة فيها.
- قبل إزالة البطارية يرجى فصل الجهاز عن مصدر الطاقة ، احتفظ بالبطاريات بعيداً عن متناول الأطفال ، لا تضع البطاريات في الفم أبداً. في حالة الابتلاع ، اتصل بطبيبك أو بمركز مكافحة السموم المحلي.
- عند حدوث أي أعطال تجنب لمس البطارية التي تقوم بتسريب سوائل ، إذا لامس السائل الجلد اشطفه بالماء جيداً ، إذا لامس السائل العيون ، اطلب المساعدة الطبية على الفور. قد يتسبب السائل المنبعث من البطارية في حدوث تهيج أو حروق.

- The word "dreame" is the abbreviation of Dreame Technology Co., Ltd. and its subsidiaries in China. It is the transliteration of the company's Chinese name "追觅", which means striving for excellence in every endeavor and reflects the company's vision of continuous pursuit, exploration and search in technology.
- Das Wort "dreame" ist die Abkürzung von Dreame Technology Co., Ltd. und seinen Tochterunternehmen in China. Es ist die Transliteration des chinesischen Namens "追觅" dieser Firma, was für das Streben nach Vollendung steht und die Vision des Unternehmens widerspiegelt, nämlich im Bereich der Technologie unaufhaltsam weiterzustreben, zu erforschen und entdecken.
- Dreame est l'abréviation de l'entreprise chinoise Dreame Technology Co., Ltd. et ses filiales, qui est la traduction phonétique du nom chinois de l'entreprise « 追觅 », reflétant la vision de l'entreprise qui consiste à poursuivre, explorer et rechercher constamment les avancées technologiques.
- La parola "dreame" è l'abbreviazione dell'azienda Dreame Technology Co., Ltd. e delle sue filiali in Cina. È la traslitterazione del nome cinese dell'azienda "追觅", che dimostra la continua ricerca, esplorazione e visione di ricerca dell'azienda nella tecnologia.
- La palabra "dreame" es la abreviatura de Dreame Technology Co., Ltd. y sus subsidiarias en China. Es la transliteración del nombre chino de "追觅", que significa luchar por la excelencia en cada esfuerzo y refleja la visión de la compañía de continuamente buscar, explorar e investigar en tecnologías.
- Dreame — сокращённое название китайской компании Dreame Technology Co., Ltd. и ее дочерних предприятий. Dreame является транслитерацией названия компании на китайском языке « 追觅 », в котором отражено корпоративное видение компании в сфере науки и технологий — непрерывный поиск, исследования и стремление к успеху.
- Sowo "dreame" to skrót od Dreame Technology Co., Ltd. i spółek w Chinach. Jest to transliteracja chińskiej nazwy firmy "追觅" co oznacza dążenie do doskonałości w każdym przedsięwzięciu, odzwierciedlając wizję firmy, jaką jest ciągłe prowadzenie, odkrywanie i poszukiwania w nauce i technologii.

• Dreame Technology Co., Ltd. and its subsidiaries תעתיק המבוסס על צליל השם הסיני "追觅" וממחיש בתוכו את חזון החברה לחפש ולדרוף באופן בלתי פוסק בתחום הטכנולוגיה.

• دريم هي مؤسسة صينية ويطلق على شركة دريم للتكنولوجيا المحدودة والشركات التابعة لها، وتعكس الترجمة الصوتية للمسمى الصيني "追觅" رؤية الشركة للسعي المستمر والاكتشاف والبحث في التكنولوجيا.



For more information, please visit <https://global.dreametech.com>
 Manufactured by: Dreame Trading (Tianjin) Co., Ltd.
 Made in China

HHR14B-EU-A01