

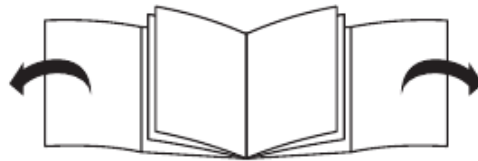
REMINGTON

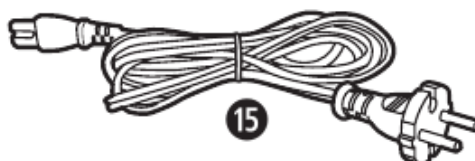
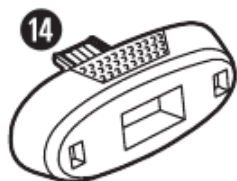
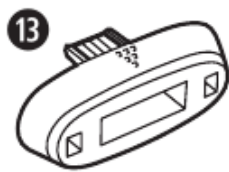
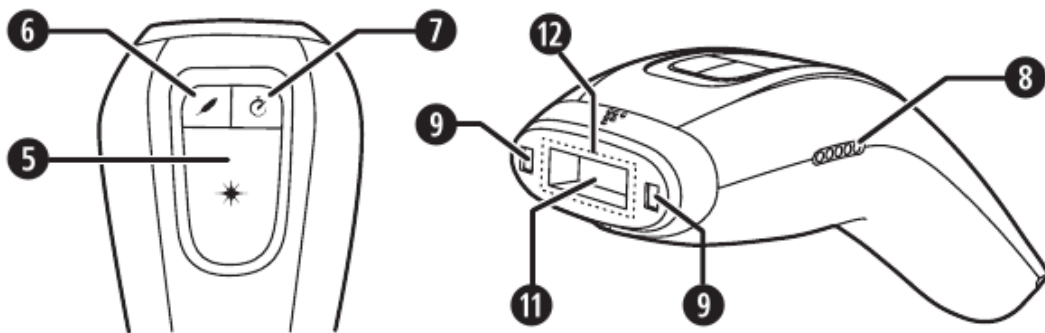
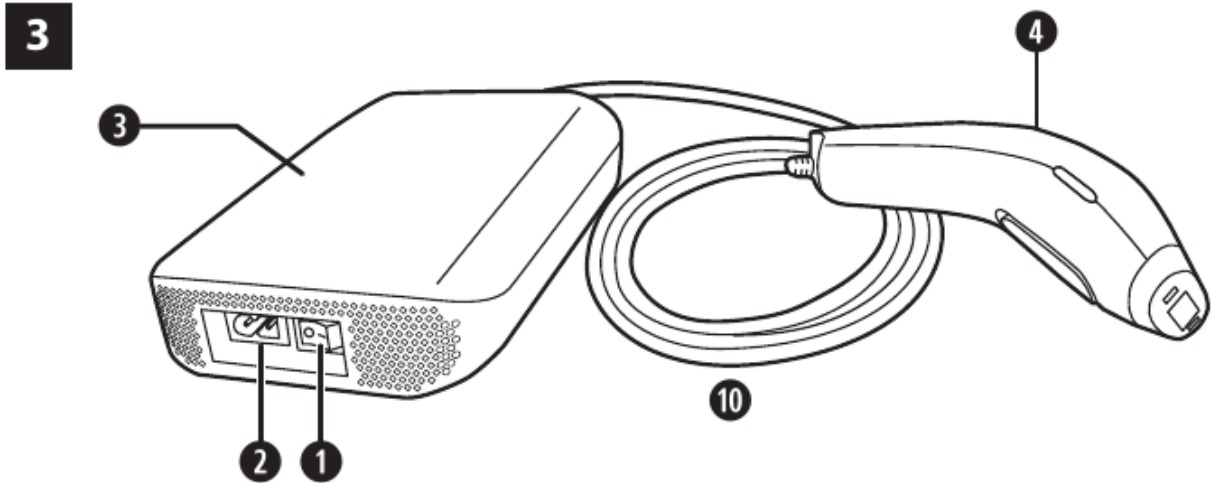
iLIGHT

LUXE - IPL HAIR REMOVAL



IPL8500







Thank you for buying your new Remington® product.
Please read these instructions carefully and keep them safe. Remove all packaging before use.



IMPORTANT WARNINGS AND SAFETY PRECAUTIONS

- This appliance should not be used by anyone under the age of 18 and persons with reduced physical, sensory or mental capabilities or lack of experience and knowledge unless they have been supervised/instructed and understand the hazards involved. Children shall not play with the appliance. Cleaning and user maintenance shall not be made by persons under 18.
- Keep the appliance and cable out of reach of children under 8 years.
- Do not use the product with a damaged cord. A replacement can be obtained via our International Service Centres.
- ⊘ The body of this appliance is not washable or water resistant. Do not put the appliance in liquid; do not use it near water in a bath tub, basin or other vessel; and don't use it outdoors.
- Possible hazardous optical radiation emitted from this product. Do not stare at the light source which may be harmful to the eye.
- Use this appliance only for its intended use as described in this manual.
- Do not use the appliance if it is damaged or malfunctions.
- Do not leave the appliance unattended while plugged in.
- Keep the power plug and cord away from heated surfaces.
- Only use the parts supplied with the appliance.
- Do not twist or kink the cable, or wrap it round the appliance.
- Do not plug or unplug the appliance with wet hands.
- This appliance is not intended for commercial or salon use.

Before you start using i-LIGHT:

Be sure to read all warnings and safety information. Before you begin, check to see if i-LIGHT is suitable for you.

Use the skin and hair chart at the front of this manual and the integrated skin sensor to determine if this device is right for you (Fig 1).

WARNING: i-LIGHT is not suitable for very dark or black skin. i-LIGHT is not effective on light or grey hair and is less effective on blonde and red hair.

For facial use: Only suitable for female facial hair on the cheeks, sideburns, chin, neck areas and above the lips (Fig 2). DO NOT use on the eyes, eyebrows or eyelashes. Doing so can cause serious and permanent eye injury.

Skin Type

- Do not use on naturally dark skin, as it may result in burns, blisters and changes in skin colour.
- Do not use on tanned skin or after recent sun exposure, as it may cause burns or skin injury.
- i-LIGHT is not effective on light or grey hair and is less effective on blonde and red hair.

Areas not to treat:

- Do not use on the scalp or ears.
- Do not use on face or neck (male).
- Do not use above the cheekbone (females).
- Do not use on nipples, areola or genitals.
- Do not use if you have tattoos or permanent makeup in the area to be treated.
- Do not use on dark brown or black spots such as moles, birth marks or freckles.
- Do not use on an area of recent surgery, deep peel, laser resurfacing, scars or skin that has been damaged with burns or scalds.

When not to use/When to avoid using i-LIGHT

- DO NOT use if you have tanned skin in the intended treatment area, as your skin may be too dark and treatment in tanned areas could temporarily cause skin swelling, blisters, or could change the colour of your skin. Wait until your tan has faded before treating.

ENGLISH

- DO NOT use on skin with cosmetics applied, as treating in those areas could temporarily cause skin swelling, blisters or could change the colour of your skin. Make sure to thoroughly clean the intended treatment area prior to use.
- DO NOT flash the same treatment spot multiple times during the same session, as this could temporarily cause skin swelling, blisters, or could change the colour of your skin.
- DO NOT treat any area more than every two weeks, as this will not speed up results, but could increase likelihood of skin swelling, blistering or changing the colour of your skin.
- DO NOT use on damaged skin, including open wounds, cold sores, sunburns, or areas where you have had a skin peel or other skin resurfacing procedure within the last 6-8 weeks.
- DO NOT use on irritated skin, including rashes or swollen skin. These conditions can make the skin more sensitive. Wait for the affected area to heal before use.
- DO NOT use if your skin is sensitive to light. In order to determine if you can use i-LIGHT, perform a test on a small patch of skin and wait 24 hours to determine if there are any adverse reactions before treating more broadly.
- DO NOT use if you are or may be pregnant or are breast-feeding. i-LIGHT has not been tested on pregnant women. Hormonal changes are common during pregnancy or breast-feeding and could increase skin sensitivity and the risk of skin injury.
- DO NOT flash against any material other than skin.
- DO NOT use i-LIGHT for any purpose other than hair removal.
- DO NOT treat any area where you may someday want your hair to grow back. The results may be permanent and irreversible.
- DO NOT use on the face if you have a history of cold sores; use of IPL or any treatment that irritates skin can cause a recurrence of cold sores.
- If you've had professional or clinical or self-administered laser or IPL or electrolysis hair removal treatments, wait at least 6 months before using i-LIGHT. If you've waxed, plucked or epilated hair in the treatment area, wait at least 6 weeks before using i-LIGHT. The device uses the hair under your skin to disable your hair at the root, so it is not effective if the hair has been pulled out.
- Do not use over or near anything artificial such as silicon implants, Implanon contraceptive implants, pacemakers, subcutaneous injection ports (insulin dispenser) or piercings.
- DO NOT use directly over or near Active Implantable Medical Devices such as implantable pacemaker, internal defibrillator, or insulin devices. Although no problems associated with the use of this device have been reported during studies, it is recommended to observe all active implantable medical device warnings regarding the use of electronic devices to prevent any failure or interruption of an active implantable device.
- Wireless communications equipment may affect the i-LIGHT device and should be kept at least 3.3 m away.
- Do not use over or near fillings or dental implants.

KEY FEATURES (FIG 3)

- | | |
|----------------------------------|-------------------------------|
| 1. Power Switch | 10. Hand Piece Cord |
| 2. Power Inlet | 11. Flash Window |
| 3. Power Pack | 12. Skin Contact Sensors |
| 4. Hand Piece | 13. Body Treatment Cap |
| 5. ✦ Power Mode Flash Button | 14. Precision Treatment Cap |
| 6. ✎ Sensitive Mode Flash Button | 15. Power Cord |
| 7. ⚡ Express Mode Flash Button | 16. Lint Free Cloth |
| 8. LED Indicator Lights | 17. Storage Pouch (Not Shown) |
| 9. Skin Tone Tester | |

GETTING STARTED

Fold out the front and rear pages of this instruction manual so you can refer to the diagrams while you are reading. Be patient when first using your i-LIGHT, as with any new product, it may take a little while to familiarise yourself with the product. Take the time to acquaint yourself with your i-LIGHT as we are confident you will receive years of enjoyable use and complete satisfaction.

GETTING ACQUAINTED WITH i-LIGHT

What is i-LIGHT?

The i-LIGHT system is a revolutionary light-based device designed for the removal of unwanted body hair and female facial hair at home.

i-LIGHT utilises similar clinically-proven technology that professional dermatologists and salons use, optimised for personal treatment.

What is Intense Pulse Light (IPL) and how does i-LIGHT work?

IPL (Intense Pulsed Light) is a well-established technology used worldwide for over 15 years. i-LIGHT uses this technology to flash your skin with an intense pulse of light.

The pulse works under the skin's surface to target hairs at the root, helping to stop their growth (Fig 4).

The energy in the pulse of light targets dark colouring, and best results are seen on darker hair.

i-LIGHT is intended for use on light, medium and dark skin tones (skin tones I-V).

What to expect from i-LIGHT

Results aren't immediate, and individual results vary. Most users will begin to notice fewer hairs within 1-2 weeks after beginning treatment. During this time it may look like the hair is still growing, but it is actually being 'pushed out' (Fig. 5). Hair grows in a cycle of 3 different phases which lasts 18-24 months (Fig. 6). Only hairs in the active growth phase are susceptible to treatment, which is why multiple treatments are required for optimal results.

It's important to continue with the full treatment regime and top-up treatments to ensure that every active hair is treated.

Treatment Regime

A full treatment regime is once every two weeks for three treatments. Individual results may vary, so multiple treatments may be required for optimal results. Some hair growth will occur that is less dense, finer and lighter in colour than the original hair. This regrowth is perfectly normal and should be expected. After completing the full treatment regime, top-up treatments of once every four weeks will provide even better results. Continuous regular treatment every four weeks will give good results within 8-12 weeks (darker skin tones may take longer). Do not use more than once every two weeks. NOTE: You should avoid treating the same area multiple times in one session, as it will not improve effectiveness but increases the risk of skin irritation.

FAMILIARISE YOURSELF WITH YOUR i-LIGHT

Flash Window with built-in UV filter (Fig 7)

WARNING: always inspect the Flash Window before use to ensure there is no damage to the lens.

WARNING: always clean the Flash Window before use with the lint-free cloth provided to ensure there is no oil or debris on the lens.

Skin Contact Sensors (Fig 8)

This safety mechanism prevents accidental flashing. The device will not flash unless both Skin Contact Sensors are in full contact with the skin.

Power Mode, Sensitive Mode and Express Mode (Fig 9)

The Power Mode, Sensitive Mode and Express Mode buttons are all located on the hand piece.

Skin Tone Tester (Fig 10)

Will only allow usage on suitable skin tones.

Attachments

Body Treatment Cap for large areas below the neck (Fig 11).

Precision Treatment Cap for smaller female facial areas such as cheek, sideburn, chin, neck area and above the lips. It can also be used on other smaller areas such as the underarms and bikini area (Fig 12).

Attachment Release (Fig 13)

Grasp the cap at the positions indicated and firmly pull straight out to release the treatment cap. When replacing the cap, magnets will assist in aligning the treatment cap into position.

ENGLISH

PREPARING FOR USE

PREPARE YOUR SKIN FOR TREATMENT

- Ensure the area to be treated is clean and free from oils, deodorants, perfume, make up, lotions and creams. Shave the hair from the area to be treated, and ensure the skin is clean and dry.
- For facial use, you may prefer to trim the hair. If trimming, the hair must be trimmed to less than 0.5mm.
- Never use wax, epilation, tweezers or other methods that remove the hair from the root as IPL is not effective if the hair has been pulled out.

PREPARE THE i-LIGHT FOR USE

- Connect the power cord to the wall outlet.

CHECK YOUR SKIN TONE

- To determine if your skin tone is suitable for use with the device, compare your skin in the intended treatment areas with the Skin Tone Chart (Fig 1) at the front of this manual.
- If your skin matches either the light, medium or dark skin tones in the Skin Tone Chart (I-V), you can use this i-LIGHT device.
- If your skin in the intended treatment area matches the darkest skin tone in the Skin Tone Chart, DO NOT use the device (Skin Tone VI).
- This i-LIGHT has a built-in SKIN TONE TESTER on the treatment head that is designed to help prevent inadvertent flashing on skin that is too dark for treatment.
- If your skin is suitable for treatment i-LIGHT will provide a flash and the LED lights on the side of the hand piece will illuminate white. The number of lights illuminated will indicate your Skin Tone.
- If your skin is too dark for treatment, you will receive a low energy flash followed by four audible beeps and the LED lights on the side of the hand piece will illuminate red.
- If you believe your skin is suitable based on the Skin Tone Chart (Fig 1), but the device flashes and four audible beeps follow, try another treatment area.

TEST THE i-LIGHT ON YOUR SKIN

Before your first full treatment, test the i-LIGHT on a small patch of skin and wait 24 hours to ensure there are no adverse reactions.

1. Place the i-LIGHT hand piece against your skin so the Flash Window is flush with the skin surface.
2. Ensure the Skin Contact Sensors are fully engaged and that the LED lights illuminate white.
3. Select your preferred mode and press the flash button to deliver a flash.
TIP: As mild to moderate discomfort is normal, you may want to start with Sensitive Mode only switching to Power Mode when you feel comfortable in doing so.
4. Wait 24 hours and then look at the test area. If the skin appears normal, proceed with your first full treatment using the mode that you determined is right for you.
NOTE: You must test the device on each area of the face or body you wish to treat.

SELECTING THE OPERATING MODE

- The integrated SKIN TONE TESTER on the treatment head will set the appropriate power level for each setting based on the skin tone registered.
- This i-LIGHT device has 3 different operating modes, Power Mode (Full Power), Sensitive Mode and Express Mode. The unit will be in Power Mode when it is turned ON. It will flash approximately every 3 seconds on Power Mode and Sensitive Mode and less than 1 second on Express Mode.

Power Mode

Power Mode (Full Power) will provide the highest power levels that are appropriate for you. This mode is ideal for treating both larger and smaller areas. Power Mode will give you the best hair removal results in fewer treatments, but may be less comfortable.

Sensitive Mode

Sensitive Mode is for those who find the Power Mode to be too intense. Sensitive Mode is a less powerful mode available for those who are sensitive to discomfort but still desire to remove unwanted hair. With this mode you may have to do a few more treatments to see desired results.

Express Mode 

Express Mode provides the user with a time friendly option for treatments. You may treat larger areas with this mode at a faster rate, but it may be less effective and will take a few more treatments to see the desired results.

NOTE: Whenever the device is turned on, it automatically defaults to Power Mode (Full Power).

- If you wish to select an alternative mode, press and hold the desired button to illuminate it.
- Once you have decided and chosen which operating mode is right for you, put the treatment window firmly against your skin.
- The device is now ready to trigger the first flash. To deselect the Sensitive or Express Mode, simply press the selected button again and the unit will revert back to Power Mode with only the Flash Button illuminated.

TREATMENT**CHANGING ATTACHMENTS**

- Your i-LIGHT comes with two separate Treatment Caps.
- The Body Treatment Cap is for use on larger areas such as body hair.
- The Precision Treatment Cap is intended for use on smaller areas such as female facial hair, underarms and bikini area.

To change attachments:

WARNING: Always ensure the unit is OFF and the power cord is disconnected before removing the Treatment Cap.

- Allow the system to cool down for 5 minutes before attempting to change the Treatment Cap
1. Turn the Power Switch OFF and unplug the Power Cord from the electrical outlet.
 2. Hold the device with one hand while gently pulling the Treatment Cap with the other (Fig. 13).
NOTE: Treatment Caps are magnetically held onto the device and should pull off easily.
TIP: Store the unused Treatment Cap in a safe location taking care not to damage the flash window and other components.
 3. Gently push the other Treatment Cap back onto the device making sure it clicks into place.

How to treat:

1. Place the Flash Window firmly against the skin - ensure the Skin Contact Sensors are fully engaged. If the Skin Contact Sensors are in full contact, the flash button on the device will pulse white and the LEDs on the side of the hand piece will light up indicating the device is ready to flash.
NOTE: If the Skin Contact Sensors are NOT in full contact with the skin, the device will not operate if you press the Flash Button and it will beep. Double check that the Skin Contact Sensors are in full contact with the skin.
2. Press the flash button to deliver a flash. You should expect to see a bright flash of light (similar to a camera flash) and you should feel a mild sensation of warmth.
3. Move to the next area and treat in a grid like pattern to ensure full coverage of the treatment area.
 - For single-flash mode, press the flash button each time you move to the next area.
 - For multi-flash mode, keep your finger on the flash button to keep it depressed and glide to the next area being sure to keep the Skin Contact Sensors fully engaged. The next flash will be delivered automatically after 3 seconds (in Full Power Mode).
 - During multi-flash mode if you let go of the flash button or lose skin contact, simply resume treatment by repeating the above steps.

Facial Treatment (female use only)

Facial hair can be very different to body hair and the skin on the face tends to be sensitive and more likely to be exposed to the sun's rays; therefore treating unwanted facial hair is different to treating the body – please be sure to read the Warnings and Safety Precautions carefully before beginning a facial treatment.

IMPORTANT: The Precision Treatment Cap has been specially designed to treat the unique characteristics of female facial hair. We would therefore advise against using the Body Treatment Cap on the face as this has been designed to treat large areas below the neck. See section 'Changing Attachments' for more information.

The Precision Treatment Cap is intended for use on female facial hair on the cheek, sideburn, chin, neck area and above the lips (Fig. 2). It can also be used on other smaller areas such as the underarms and bikini area.

DO NOT use on male beards or facial hair as the results may be permanent or uneven which may produce changes in facial characteristics which may not be desirable.

ENGLISH

TREATMENT TIPS

Body Treatment

- For best results, avoid overlapping flashes. This helps prevent exposure to more energy than is necessary to suppress hair growth. It also ensures that you get the maximum use of the Bulb.
- For the most effective results, always use the highest intensity operating mode that does not cause discomfort on the skin. The level you use should feel warm on your skin, but should never cause discomfort.
- You may notice that bony areas, such as elbows, shins and ankles, are more sensitive during treatment. This is normal and should not be cause for alarm. To avoid this sensitivity, try stretching the skin away from the bony area during treatment.

Facial Treatment

- Test on a Patch of Skin – since facial skin tends to be more sensitive, make sure you test on a small patch before proceeding. See section 'Test the i-LIGHT on your skin' for more details.
- Use a Mirror to Guide your Treatments – using a mirror for a good view of the area to be treated and to help ensure you avoid treating the lips or any other dark spots. If the reflected light is unpleasant, you may want to close your eyes before each flash.
- Stretch Skin for Better Skin Contact – the contours of the skin may make it difficult for the skin contact sensors to be fully depressed in certain areas. You may find it easier to try and wrap your upper lip over your teeth or use your tongue to stretch your cheeks for better skin contact.

POST TREATMENT CARE

After treatment, you may experience slight redness or a warm sensation on your skin. This is normal and will disappear over time. To avoid irritation to your skin after a treatment, take the following precautions:

- Avoid sun exposure for 24 hours after a treatment. Protect the skin with SPF 30 for 2 weeks after each treatment.
- Do not prolong sun exposure such as sunbathing, using a tanning bed, or self-tan for at least 2 weeks after the last treatment.
- After treatment, keep the area clean and dry and drink plenty of water to keep skin hydrated.
- Do not take hot baths, showers, or use steam rooms and saunas until any redness or skin sensitivity has returned to normal.
- Do not depilate (waxing, plucking, threading or creams) during the treatment – shaving is acceptable as long as you avoid shaving 24 hours after each treatment.
- Do not use bleaching creams or perfumed products for 24 hours after treatment.

300,000 FLASH BULB

- The bulb will deliver 300,000 flashes in its lifetime.
- The bulb in this device is guaranteed to last for the entire guarantee period as stated on the guarantee card supplied with this product.
- When the bulb has reached 99% of its possible lifetime, one of the LEDs on the side of the hand piece will illuminate red during power up.
- When the bulb life is exhausted you will no longer be able to use the device.

CLEANING YOUR i-LIGHT DEVICE

⚠ CAUTION Before cleaning your i-LIGHT, make sure that the device is switched OFF and the power cord is disconnected from the device.

Regular cleaning helps to ensure optimal results and a long life for the i-LIGHT device.

- To clean the Flash Window, use only the lint-free cloth included with your i-LIGHT device. Take care not to scratch or chip the Flash Window. Scratches and chips can reduce the effectiveness of the unit.
- For stubborn stains on the flash window, dampen a cotton swab with surgical spirit or rubbing alcohol, apply to the flash window and clean gently with the lint-free cloth provided.

- ◆ **WARNING:** If the Flash Window is cracked or broken, the unit must not be used. Never scratch the filter glass or the metallic surface inside the Treatment Head.
- ◆ **CAUTION:** The i-LIGHT is a high voltage device. Never immerse in water. Never clean the unit or any of its parts under a tap or in a dishwasher.

Storage

Switch off the unit, unplug and allow to cool for 10 minutes before storage.

TROUBLESHOOTING

- Always read these instructions fully before using i-LIGHT.
- Refer to this troubleshooting guide if you experience any problems with i-LIGHT, as this section addresses the most common problems you could encounter with i-LIGHT. If you have followed the instructions in this section and continue to experience problems, please contact the Remington® Service Centre for further assistance.

The power switch is ON, but the unit is not working.

- Make sure the unit is plugged into a working electrical outlet.
- Try switching to a different outlet.

The unit appears to have cracks or is broken.

- Do not use if the unit is damaged. If you have concerns about using the unit, discontinue use and contact the Remington® Service Centre for further assistance.

I have switched the unit ON, but I cannot change the Mode.

- Try resetting the unit by turning it off and waiting several seconds before turning it back on.

There is a strange smell.

- Be sure the area is completely shaved before treatment.

The treated areas become red after treatment.

- This is normal and the redness should subside. If not, try switching to Sensitive Mode.

NOTE: In the event of the i-LIGHT device getting too hot, the device will go into wait mode. In wait mode, the 5 LEDs on the side of the hand piece will begin to light up one after the other. Wait a few minutes to allow the hand piece to cool down. There is no need to shut the unit down, the LED lights will stop illuminating when the device is ready to use again.

FREQUENTLY ASKED QUESTIONS

- For a full list of FAQs, please visit (www.remington-ilight.com)
- Q. What areas of my body can I treat with i-LIGHT?
- A. i-LIGHT is designed for unisex use on areas below the neck, including the legs, underarms, bikini line, arms, chest and back. Females can also use on facial hair below the cheekbone.
- Q. What are the risks involved with i-LIGHT. Is it safe?
- A. i-LIGHT is proven to be safe and effective, but like any electronic device it is important that you read and follow the operating instructions and safety warnings.
- Q. Is IPL dangerous for the skin after long term use?
- A. There have not been any reported side effects or skin damage from long term use of intense pulse light (IPL)
- Q. Why is my hair growing despite treatments?
- A. Results aren't immediate, and individual results vary. Most users will begin to notice fewer hairs within 1-2 weeks after beginning treatment. During this time it may look like the hair is still growing, but it is actually being 'pushed out'.
Hair grows in a cycle of 3 different phases which lasts 18-24 months. Only hairs in the active growth phase are susceptible to treatment, which is why multiple treatments are required for optimal result. Another reason for continued growth could be that the area was missed during a treatment. Repeat the treatment regime when you notice regrowth.

ENGLISH

- Q. Why can't I use i-LIGHT after recent sun exposure?
- A. Sun exposure causes high levels of melanin to be present and exposes the skin to higher risk of burns or blisters following treatment.
- Q. Do I need eye protection while using i-LIGHT?
- A. No, it is not harmful to the eyes. i-LIGHT features a safety system which prevents unintentional flashing when the device is not in contact with the skin. The small amount of light emitted during treatment is similar to that of a camera flash and is not harmful to the eyes. The specially designed Treatment Caps minimise light leakage. If the reflected light is unpleasant, you may want to close your eyes before each flash.

RECYCLING



To avoid environmental and health problems due to hazardous substances, appliances and rechargeable and non-rechargeable batteries marked with one of these symbols must not be disposed of with unsorted municipal waste. Always dispose of electrical and electronic products and, where applicable, rechargeable and non-rechargeable batteries, at an appropriate official recycling/ collection point.

Vielen Dank, dass Sie sich für den Kauf dieses Remington® Produkts entschieden haben. Lesen Sie diese Bedienungsanleitung aufmerksam durch und bewahren Sie sie auf. Entfernen Sie die Verpackung vor dem Gebrauch vollständig.



WICHTIGE SICHERHEITSHINWEISE

- Dieses Gerät ist nicht für die Nutzung von Kindern unter 18 Jahren sowie von Personen mit eingeschränkten physischen, sensorischen oder geistigen Fähigkeiten oder Mangel an Erfahrung und Wissen geeignet, es sei denn sie werden dabei beaufsichtigt / instruiert und verstehen die damit verbundenen Gefahren. Kinder dürfen nicht mit dem Gerät spielen. Reinigung und Pflege dürfen nicht von Kindern unter 18 Jahren durchgeführt werden.
- Bewahren Sie das Gerät und das Kabel außer Reichweite von Kindern unter 8 Jahren auf.
- Um eine mögliche Gefährdung auszuschließen, sollte das Gerät nicht genutzt werden, wenn das Kabel Beschädigungen aufweist. Ersatz kann durch das Service Center/Kundendienst zur Verfügung gestellt werden.
- ⊘ Das Gehäuse des Gerätes ist nicht abwaschbar oder wasserfest. Tauchen Sie das Gerät nicht in Flüssigkeiten. Verwenden Sie es nicht in der Nähe einer Badewanne, einem Behälter oder anderen Gefäßen, die Wasser enthalten, und verwenden Sie es nicht im Freien.
- Die vom Gerät abgegebene optische Strahlung kann gefährlich sein. Schauen Sie nicht direkt in die Lichtquelle, da dies das Auge schädigen kann.
 - Benutzen Sie dieses Gerät nur für den in dieser Anleitung beschriebenen Verwendungszweck.
 - Verwenden Sie das Gerät nicht, wenn es beschädigt ist oder nicht richtig funktioniert.
 - Lassen Sie das angeschlossene Gerät auf keinen Fall unbeaufsichtigt.
 - Bringen Sie den Netzstecker und das Netzkabel nicht mit beheizten Oberflächen in Berührung.
 - Verwenden Sie nur das von uns zur Verfügung gestellte Zubehör.
 - Achten Sie darauf, dass Sie das Kabel nicht knicken oder verdrehen. Wickeln Sie es auch nicht um das Gerät.
 - Schließen Sie das Gerät nicht mit nassen Händen an das Stromnetz an.
 - Dieses Gerät ist nicht für die gewerbliche Nutzung geeignet.

Bevor Sie i-LIGHT das erste Mal benutzen:

Lesen Sie sich unbedingt die Warn- und Sicherheitsinformationen vollständig durch. Bevor Sie das Gerät benutzen, prüfen Sie, ob i-LIGHT für Sie geeignet ist.

Vergewissern Sie sich mithilfe der Haar- und Hauttypenskala am Anfang dieses Benutzerhandbuches und des mitgelieferten Hauttonensors, ob dieses Gerät für Sie geeignet ist (Abb. 1).

WARNHINWEIS: i-LIGHT ist nicht für sehr dunkle oder schwarze Hauttöne geeignet. i-LIGHT ist bei hellem oder grauem Haar nicht wirksam und bei blondem oder rotem Haar weniger effektiv.

Zur Behandlung von Gesichtsbehaarung: Ausschließlich geeignet zur Behandlung von weiblicher Gesichtsbehaarung an Wangen, Schläfen und Kinn, über der Oberlippe sowie im Halsbereich (Abb. 2).

NICHT für die Augenpartie, an Augenbrauen und Wimpern verwenden. Dies kann zu schweren und bleibenden Augenschäden führen.

Hauttyp

- Nicht auf dunkler Haut anwenden, da es zu Verbrennungen, Blasen und Farbveränderungen der Haut kommen kann.
- Nicht auf gebräunter Haut oder nach einem Sonnenbad anwenden, da es zu Verbrennungen oder Hautverletzungen kommen kann.
- i-LIGHT ist bei natürlich weißer, grauer, blonder oder roter Körper- oder Gesichtsbehaarung nicht wirksam.

Folgende Bereiche dürfen nicht behandelt werden:

- Nicht auf der Kopfhaut oder den Ohren anwenden.
- Nicht auf dem Gesicht und Hals von Männer anwenden.
- Nicht oberhalb des Wangenknochens anwenden (Frauen).

DEUTSCH

- Nicht auf Brustwarzen, Brustwarzenhof oder Genitalien anwenden.
- Nicht anwenden, wenn Sie auf den zu behandelnden Bereichen Tätowierungen besitzen oder Permanent Make-up verwendet wurde.
- Nicht auf dunkelbraunen oder schwarzen Hautflecken wie Leberflecken oder Muttermalen oder auf Sommersprossen anwenden.
- Nicht auf Bereichen anwenden, die kürzlich operiert wurden, oder die mit einem Tiefenpeeling oder einem Laser behandelt wurden, oder auf Narben oder Hautpartien, die Verletzungen durch Verbrennungen oder Verbrühungen aufweisen.

Wann Sie i-LIGHT REVEAL nicht anwenden bzw. darauf verzichten sollten, i-LIGHT anzuwenden

- Verwenden Sie das Gerät NICHT, wenn die Hautpartie, die Sie behandeln möchten, gebräunt ist. Ihre Haut könnte zu dunkel sein und die Behandlung gebräunter Hautpartien könnte vorübergehend zu Hautschwellungen und Blasen führen oder Ihre Hautfarbe verändern. Warten Sie, bis die Bräune vollständig zurückgegangen ist, bevor Sie mit der Behandlung beginnen.
- Verwenden Sie das Gerät NICHT, wenn Sie Kosmetik aufgetragen haben. Die Behandlung solcher, mit Kosmetik behandelter Hautpartien könnte vorübergehend zu Hautschwellungen und Blasen führen oder Ihre Hautfarbe verändern. Reinigen Sie die Hautpartien gründlich, bevor Sie sie behandeln.
- Behandeln Sie NICHT dieselbe Stelle mehrmals in einer Sitzung. Dies könnte vorübergehend zu Hautschwellungen und Blasen führen oder Ihre Hautfarbe verändern.
- Behandeln Sie KEINE Hautpartie öfter als einmal pro Woche. Eine häufigere Behandlung beschleunigt nicht das Ergebnis, sondern erhöht unter Umständen die Wahrscheinlichkeit des Auftretens von Hautschwellungen, Blasen oder Veränderungen der Hautfarbe.
- Verwenden Sie das Gerät NICHT, wenn Ihre Haut Verletzungen aufweist, wie zum Beispiel offene Wunden, Fieberblasen oder Sonnenbrände. Verwenden Sie das Gerät ebenfalls NICHT an Stellen, an denen sich die Haut gepellt oder sich innerhalb der letzten 6-8 Wochen regeneriert hat.
- Verwenden Sie das Gerät NICHT auf gereizter oder geschwollener Haut oder wenn Sie Ausschlag haben. Ihre Haut ist dann unter Umständen sensibler. Warten Sie, bis die betroffenen Stellen abgeheilt sind, bevor Sie das Gerät anwenden.
- Verwenden Sie das Gerät NICHT, wenn Ihre Haut sensibel auf Licht reagiert. Um herauszufinden, ob Sie i-LIGHT verwenden können, testen Sie das Gerät zuerst an einer kleinen Hautstelle und warten Sie 24 Stunden, um zu sehen, ob unerwünschte Nebenwirkungen auftreten, bevor Sie größere Hautpartien behandeln.
- Verwenden Sie das Gerät NICHT, wenn Sie schwanger sind oder sein könnten oder wenn Sie stillen. i-LIGHT wurde nicht an schwangeren Frauen getestet. Hormonelle Veränderungen treten häufig während der Schwangerschaft oder der Stillzeit auf, und Ihre Haut könnte in dieser Zeit sensibler und das Risiko für Hautverletzungen größer sein.
- Tragen Sie die Blitze auf KEINEM anderen Material als Haut auf.
- Verwenden Sie i-LIGHT AUSSCHLIESSLICH zur Haarentfernung.
- Behandeln Sie KEINE Stellen, an denen zu einem späteren Zeitpunkt wieder Haare nachwachsen sollen. Die Haarentfernung könnte dauerhaft und irreversibel sein.
- Nicht auf dem Gesicht anwenden, wenn bei Ihnen in der Vergangenheit Herpes aufgetreten ist. Durch die Anwendung von IPL oder einer anderen Behandlung, die Hautirritationen zur Folge hat, kann Herpes erneut auftreten.
- Sollte gerade erst eine professionelle, klinische oder selbst durchgeführte Haarentfernung durch Elektrolyse, Laser oder IPL vorgenommen worden sein, warten Sie mindestens 6 Wochen, bevor Sie i-LIGHT verwenden. Da das Gerät mithilfe der Haare unter Ihrer Haut die Haarwurzel am Wachsen hindert, ist eine Behandlung nicht effektiv, wenn die Haare entfernt wurden.
- Nicht über oder in der Nähe von künstlichen Elementen wie Silikon-Implantaten, Implanten Implantaten zur Empfängnisverhütung, Herzschrittmachern, subkutanen Injektionskanälen (Insulinpumpe) oder Piercings anwenden.
- Obwohl während Studien keinerlei Probleme in Zusammenhang mit dem Gerät festgestellt wurden, wird dennoch empfohlen, alle Warnhinweise in Bezug auf aktive implantierbare medizinische Geräte und die gleichzeitige Verwendung elektronischer Geräte zu beachten, um jeglichen Ausfall oder jegliche Störung aktiver implantierbarer Geräte zu vermeiden.
- Drahtlose Kommunikationsgeräte könnten das i-LIGHT Gerät beeinträchtigen und sollten mindestens 3,3 m davon entfernt aufbewahrt werden.
- NICHT über oder in der Nähe von metallischen Füllungen, Zahnimplantaten und Zahnsparren verwenden.

HAUPTMERKMALE (ABB. 3)

- | | |
|------------------------------------|--------------------------------------------|
| 1. Betriebsschalter | 10. Kabel Handstück |
| 2. Netzbuchse | 11. Lichtimpulsfenster |
| 3. Netzteil | 12. Hautkontakt-Sensoren |
| 4. Handgerät | 13. Körperaufsatz |
| 5. ✦ Power-Modus Impulsschalter | 14. Gesichtsauflage |
| 6. ✎ Sensitiv-Modus Impulsschalter | 15. Netzkabel |
| 7. ⚡ Express-Modus Impulsschalter | 16. Faserfreies Tuch |
| 8. LED-Ladelicht | 17. Aufbewahrungstasche (nicht abgebildet) |
| 9. Hautton-Sensor | |



VORBEREITUNGEN

Falten Sie die Vorder- und Rückseite dieses Benutzerhandbuchs auf, um beim Lesen die Abbildungen betrachten zu können.

Nehmen Sie sich beim ersten Gebrauch Zeit, um sich mit Ihrem i-LIGHT vertraut zu machen. Dies kann, wie bei jedem neuen Produkt, eine Zeitlang dauern. Wir sind sicher, dass Sie i-LIGHT jahrelang zu Ihrer vollsten Zufriedenheit verwenden werden.

MACHEN SIE SICH MIT i-LIGHT VERTRAUT

Was ist i-LIGHT?

Das i-LIGHT System ist ein Gerät, das mit einer revolutionären lichtbasierten Technologie zur Entfernung von unerwünschter Körperbehaarung und Gesichtsbehaarung von Frauen für die Anwendung zu Hause entwickelt wurde. i-LIGHT verwendet eine ähnliche, klinisch erprobte Technologie, wie sie auch von professionellen Dermatologen und Kosmetikern angewandt wird, optimiert für die persönliche Behandlung.

Was bedeutet Intense Pulse Light (IPL) und wie wirkt der i-LIGHT?

IPL - (Intense Pulsed Light) ist eine bewährte Technologie, die weltweit seit über 15 Jahren verwendet wird. Bei der i-Light Technologie werden intensive Lichtimpulse auf die Haut geblitzt.

Der Impuls wirkt unter der Hautoberfläche und greift das Haar an der Wurzel an, um sein Wachstum zu stoppen (Abb. 4). Die Energie des Lichtimpulses ist ausgerichtet auf dunkle Färbungen, bei dunkleren Haaren werden auch die besten Ergebnisse erzielt.

i-LIGHT ist für helle, mittlere und dunkle Hauttöne bestimmt (Hauttöne I-V).

Was i-LIGHT leisten kann

Die Ergebnisse sind nicht sofort sichtbar und können individuell variieren. In den meisten Fällen nimmt der Haarwuchs bereits innerhalb der ersten zwei Wochen nach Beginn der Behandlung ab. Während dieser Zeit sieht es vielleicht so aus, als würde das Haar weiterwachsen, tatsächlich wird es aber „herausgeschoben“ (Abb. 5).

Das Haar wächst in einem 18-24 Monate dauernden Zyklus aus 3 verschiedenen Wachstumsphasen (Abb. 6). Die Behandlung betrifft nur die Haare, die sich gerade in der aktiven Wachstumsphase befinden, daher sind für ein optimales Ergebnis mehrere Behandlungen nötig.

Es ist wichtig, dass der Behandlungsplan und die Auffrischungsbehandlungen vollständig durchgeführt werden, damit alle nachwachsenden Haare behandelt werden.

Behandlungsplan

Ein vollständiger Behandlungsplan besteht aus drei Behandlungen alle zwei Wochen. Die Ergebnisse können individuell variieren, daher sind für ein optimales Ergebnis möglicherweise mehrere Behandlungen nötig. Es können Haare nachwachsen, die weniger dicht, dünner und heller sind als das ursprüngliche Haar. Dies ist absolut normal und zu erwarten. Nach der Durchführung des vollständigen Behandlungsplans können Sie durch Auffrischungsbehandlungen im Abstand von vier Wochen noch bessere Ergebnisse erzielen. Mit regelmäßigen Behandlungen alle vier Wochen können Sie innerhalb von 8-12 Wochen zufriedenstellende Ergebnisse erzielen (bei dunkleren Hauttönen kann dies etwas länger dauern). Verwenden Sie das Gerät nicht öfter als alle zwei Wochen. HINWEIS: Die mehrmalige Behandlung desselben Bereichs in einer Sitzung verbessert das Ergebnis nicht, vielmehr wird so das Risiko für Hautirritationen erhöht.

DEUTSCH

MACHEN SIE SICH MIT IHREM i-LIGHT GERÄT VERTRAUT

Lichtimpulsfenster mit integriertem UV-Schutz (Abb. 7)

WARNUNG: Überprüfen Sie vor Gebrauch stets das Lichtimpulsfenster und vergewissern Sie sich, dass die Linse nicht beschädigt ist.

WARNUNG: Reinigen Sie das Lichtimpulsfenster vor Gebrauch stets mit dem faserfreien Tuch, um sicherzustellen, dass sich kein Fett oder andere Rückstände auf der Linse befinden.

Hautkontakt-Sensoren (Abb. 8)

Dieser Sicherheitsmechanismus verhindert versehentliches Blitzen. Das Gerät blitzt nur dann, wenn beide Hautkontaktsensoren vollständig auf der Haut aufliegen.

Power-Modus, Sensitiv-Modus und Express-Modus (Abb. 9)

Die Tasten für den Power-Modus, den Sensitiv-Modus und den Express-Modus befinden sich am Handstück.

Hautton-Tester (Abb. 10)

Ermöglicht die Verwendung nur für geeignete Hauttöne.

Aufsätze:

Körperbehandlungsaufsatz für größere Bereiche unterhalb des Halses (Abb. 11).

Präzisionsaufsatz für kleinere Gesichtsbereiche wie Wangen, Schläfen, Kinn, Halsbereich und über der Oberlippe (Abb. 12).

Aufsatz-Freigabe (Abb. 13)

Um den Behandlungsaufsatz abzunehmen, halten Sie den Aufsatz an den angezeigten Stellen fest und ziehen Sie ihn gerade vom Gerät weg. Beim Anbringen wird der Behandlungsaufsatz mithilfe von Magneten richtig positioniert.

BEVOR SIE DAS GERÄT IN BETRIEB NEHMEN

BEREITEN SIE IHRE HAUT AUF DIE BEHANDLUNG VOR

- Vergewissern Sie sich, dass die zu behandelnde Hautpartie sauber ist und keine Rückstände von Ölen, Deodorants, Parfum, Make-up, Lotionen und Cremes aufweist. Rasieren oder kürzen Sie die Haare auf der zu behandelnden Partie, um sicherzustellen, dass die Haut sauber und trocken ist.
- Wenn Sie Ihre Gesichtsbehaarung vor der Anwendung trimmen möchten, achten Sie darauf, dass das Haar auf unter 0,5 mm getrimmt sein muss.
- Entfernen Sie Ihr Haar nicht mit Wachs, Epilierern, Pinzetten oder anderen Methoden, die das Haar mitsamt der Wurzel entfernen, da IPL bei gezupftem Haar nicht wirkt.

ERSTE SCHRITTE

- Schließen Sie das Netzkabel ans Stromnetz an.

TEST DES HAUTTONS

- Um festzustellen, ob das Gerät für Ihren Hautton geeignet ist, vergleichen Sie die Hautpartien, die Sie behandeln wollen, mit der Hauttonskala auf der Vorderseite dieses Handbuchs (Abb. 1).
- Wenn Ihre Haut dem hellen, mittleren oder dunklen Hautton auf der Hauttonskala (Hautton I-V) entspricht, ist dieses i-LIGHT für Sie geeignet.
- Wenn die Hautpartien, die Sie behandeln wollen, dem dunkelsten Hautton auf der Hauttonskala entsprechen, verwenden Sie das Gerät bitte NICHT (Hautton VI).
- Dieses i-LIGHT verfügt über einen integrierten HAUTTONTESTER am Behandlungsaufsatz, um die versehentliche Abgabe von Lichtimpulsen an Hautstellen, die für eine Behandlung zu dunkel sind, zu verhindern.
- Wenn das Gerät für Ihre Haut geeignet ist, gibt i-LIGHT einen Lichtimpuls ab und die LED-Lämpchen seitlich am Handstück leuchten weiß. Die Anzahl der leuchtenden Lämpchen zeigt Ihren Hautton an.
- Sollte Ihr Hautton zu dunkel für eine Behandlung sein, gibt das Gerät einen schwachen Lichtimpuls gefolgt von vier piependen Signaltönen ab, und ein LED-Lämpchen seitlich am Handstück leuchtet rot.
- Wenn das Gerät blinkt und vier Mal piept, obwohl Sie der Meinung sind, dass Ihre Haut gemäß der Hauttonskala (Abb. 1) für eine Behandlung geeignet ist, versuchen Sie es an einer anderen Hautstelle.



PROBIEREN SIE DAS I-LIGHT GERÄT AUF IHRER HAUT AUS

Testen Sie das i-LIGHT Gerät auf einer kleinen Hautpartie und warten Sie 24 Stunden, um sicherzugehen, dass keine Nebenwirkungen auftreten.

1. Halten Sie das i-LIGHT Handstück so an Ihre Haut, dass das Lichtimpulsfenster auf der Hautoberfläche aufliegt.
2. Vergewissern Sie sich, dass die Hautkontaktsensoren vollständig auf der Haut aufliegen und die LED-Lämpchen weiß leuchten.
3. Wählen Sie den gewünschten Modus und drücken Sie die Taste, um einen Lichtimpuls abzugeben.
TIPP: Ein leicht oder mäßig unangenehmes Gefühl zu Behandlungsbeginn ist normal; beginnen Sie Ihre Behandlung daher im Sensitiv-Modus und wechseln Sie erst dann in den Power-Modus, wenn Sie mit der Behandlungsweise vertraut sind.
4. Warten Sie 24 Stunden und kontrollieren Sie dann die getestete Hautstelle. Wenn die Haut keinerlei Auffälligkeiten aufweist, können Sie mit Ihrer ersten vollständigen Behandlung fortfahren. Verwenden Sie dazu die Intensitätsstufe, die sich beim Test für Sie als die richtige herausgestellt hat.
HINWEIS: Sie müssen das Gerät an jeder Partie am Körper oder im Gesicht, die Sie behandeln möchten, testen.

DEN BETRIEBSMODUS AUSWÄHLEN

- Der integrierte HAUTTONTESTER am Behandlungsaufsatz bestimmt die geeignete Intensitätsstufe für jeden gewählten Modus gemäß dem registrierten Hautton.
- Dieses i-LIGHT verfügt über 3 verschiedene Betriebsmodi: Power-Modus (volle Leistung), Sensitiv-Modus und Express-Modus. Schalten Sie das Gerät EIN, wird automatisch der Power-Modus aktiviert. Im Power-Modus und im Sensitiv-Modus wird etwa alle 3 Sekunden, im Express-Modus etwa jede Sekunde ein Lichtimpuls abgegeben.

Der Power-Modus

Der Power-Modus (volle Leistung) bietet die höchste Intensität, die für Sie geeignet ist. Dieses Modell ist optimal für die Behandlung sowohl größerer als auch kleinerer Hautpartien geeignet und sorgt für noch bessere Ergebnisse. Mit dem Power-Modus erhalten Sie bei der Haarentfernung die besten Ergebnisse in weniger Durchgängen. Die Behandlung kann aber etwas unangenehmer sein.

Der Sensitiv-Modus

Der Sensitiv-Modus ist für Personen geeignet, die den Power-Modus als zu intensiv empfinden. Der Sensitiv-Modus ist ein sanfterer Modus für Personen, die trotz schmerzempfindlicher Haut unerwünschte Härchen entfernen wollen. In diesem Modus benötigen Sie eventuell ein paar mehr Durchgänge, um das gewünschte Ergebnis zu erzielen.

Der Express-Modus

Der Express-Modus bietet eine zeitsparende Behandlungsmöglichkeit. Größere Hautbereiche können in diesem Modus schneller behandelt werden. Es kann aber sein, dass die Behandlung weniger effektiv ist und mehr Durchgänge für das gewünschte Ergebnis erforderlich sind.

HINWEIS: Beim Einschalten des Geräts wird automatisch der Power-Modus (volle Leistung) als Standard aktiviert.

- Um einen anderen Modus zu wählen, drücken Sie die entsprechende Taste, und der gewählte Modus leuchtet auf.
- Sobald Sie den geeigneten Betriebsmodus gewählt und eingestellt haben, drücken Sie das Lichtimpulsfenster fest gegen die Haut.
- Das Gerät ist nun bereit, den ersten Lichtimpuls abzugeben. Um den Sensitiv-Modus oder den Express-Modus wieder zu deaktivieren, drücken Sie ganz einfach die entsprechende Taste erneut. Das Gerät kehrt in den Power-Modus zurück und nur die Impulstaste leuchtet.

BEHANDLUNG

WECHSELN DER AUFSÄTZE

- Ihr i-LIGHT enthält zwei separate Behandlungsaufsätze:
- Der Körperaufsatz ist für die Behandlung größerer Partien wie Körperbehaarung geeignet.
- Der Präzisionsaufsatz ist für die Behandlung kleinerer Bereiche wie die weibliche Gesichtsbehaarung, Unterarme und Bikinizone geeignet.

Die Aufsätze wechseln:

WARNHINWEIS: Schalten Sie das Gerät vor dem Entfernen des Behandlungsaufsatzes stets AUS und trennen Sie das Kabel vom Stromnetz.

DEUTSCH

- Lassen Sie das Gerät 5 Minuten lang abkühlen, bevor Sie den Behandlungsaufsatz wechseln.
- 1. Stellen Sie den Ein-/Ausschalter auf AUS und trennen Sie das Netzkabel vom Stromnetz.
- 2. Halten Sie das Gerät in einer Hand und ziehen Sie mit der anderen den Behandlungsaufsatz vorsichtig ab (Abb. 13).
HINWEIS: Die Behandlungsaufsätze haften magnetisch am Gerät und sollten sich mühelos abziehen lassen.
TIPP: Bewahren Sie den Behandlungsaufsatz, den Sie nicht benutzen, an einem sicheren Ort (zum Beispiel in der Verpackung) auf und achten Sie darauf, dass das Lichtimpulsfenster und die anderen Bestandteile nicht beschädigt werden.
- 3. Setzen Sie den anderen Behandlungsaufsatz wieder vorsichtig auf das Gerät und achten Sie darauf, dass er hörbar einrastet.

Behandlung:

1. Drücken Sie das Lichtimpuls fest gegen die Haut – achten Sie dabei darauf, dass die Hautkontaktsensoren vollständig aufliegen. Wenn die Hautkontaktsensoren vollständig aufliegen, blinkt die Impulstaste am Gerät weiß und die LED-Lämpchen seitlich am Handstück leuchten auf. Das Gerät ist nun einsatzbereit.
HINWEIS: Liegen die Hautkontaktsensoren NICHT vollständig auf der Haut auf, gibt das Gerät keine Lichtimpulse ab und es vibriert, wenn Sie die Impulstaste drücken. Vergewissern Sie sich erneut, dass die Hautkontaktsensoren vollständig aufliegen.
2. Drücken Sie den Impulsschalter, um einen Lichtimpuls abzugeben. Ein heller Lichtblitz sollte zu sehen (ähnlich dem eines Kamerablitzes) und ein leichtes Gefühl von Wärme spürbar sein.
3. Gehen Sie zum nächsten Bereich über und setzen Sie die Behandlung rasterartig fort, um den gesamten Bereich vollständig zu behandeln.
 - Im Einfachlicht-Modus drücken Sie die Blitztaste jedes Mal, wenn Sie zum nächsten Bereich wechseln.
 - Im Mehrfachlicht-Modus halten Sie die Blitztaste gedrückt, und achten Sie beim Wechseln in den nächsten Bereich darauf, dass die Hautkontaktsensoren vollständig aufliegen. Der nächste Lichtimpuls wird automatisch nach 3 Sekunden abgegeben (im Power-Modus).
 - Falls Sie während der Behandlung im Mehrfachlicht-Modus die Blitztaste loslassen oder den Hautkontakt verlieren, nehmen Sie die Behandlung ganz einfach durch Wiederholung der oben angeführten Schritte wieder auf.

Gesichtsbehandlung (nur für weibliche Gesichtsbehaarung)

Gesichtsbehaarung ist anders strukturiert als Körperbehaarung und die Haut im Gesicht ist meist empfindlicher und höherer Strahlung ausgesetzt; daher ist die Behandlung im Gesicht mit anderen Anforderungen verbunden als die am Körper – bitte lesen Sie sich unbedingt die Warn- und Sicherheitsinformationen aufmerksam durch, bevor Sie mit der Gesichtsbehandlung beginnen.

WICHTIG: Der Präzisionsaufsatz wurde speziell für die Behandlung von weiblicher Gesichtsbehaarung designt und entwickelt. Verwenden Sie den Körperaufsatz NICHT für eine Gesichtsbehandlung. Im Abschnitt „Wechseln der Aufsätze“ finden Sie weitere Informationen.

Der Präzisionsaufsatz ist ausschließlich für die Behandlung weiblicher Gesichtsbehaarung an Wangen, Schläfen und Kinn, im Halsbereich und über der Oberlippe bestimmt (Abb. 2).

Verwenden Sie den Aufsatz NICHT für männliche Bart- oder andere Gesichtsbehaarung, da die Ergebnisse dauerhaft oder ungleichmäßig ausfallen und so zu unerwünschten Veränderungen charakteristischer Gesichtszüge führen können.

BEHANDLUNGSTIPPS

Körperbehandlung

- Für ein optimales Ergebnis vermeiden Sie überlappende Lichtimpulse. Auf diese Weise vermeiden Sie, dass Ihre Haut mehr Energie, als für das Unterdrücken des Haarwachstums erforderlich ist, ausgesetzt ist. So wird auch eine optimale Nutzung der Lichtkartusche gewährleistet.
- Für optimale Ergebnisse verwenden Sie immer die höchstmögliche Stufe, die keine Beschwerden auf der Haut hervorruft. Bei der von Ihnen ausgewählten Stufe sollten Sie ein warmes, aber auf keinen Fall unangenehmes Gefühl auf der Haut verspüren.
- Es kann sein, dass knochige Bereiche wie Ellbogen, Schienbeine und Knöchel empfindlicher auf die Behandlung reagieren. Das ist ganz normal und sollte Sie nicht beunruhigen. Um dieser Empfindlichkeit entgegenzuwirken, versuchen Sie, die Haut während der Behandlung von den knöchigen Bereichen wegzuziehen.



Gesichtsbehandlung

- Test an einer kleinen Hautstelle: Da die Haut im Gesicht meist empfindlicher ist, testen Sie das Gerät am besten vor der Behandlung an einer kleinen Hautstelle. Im Abschnitt „i-LIGHT auf Ihrer Haut testen“ finden Sie weitere Hinweise.
- Verwenden Sie einen Spiegel bei der Behandlung: Mithilfe eines Spiegels haben Sie den Bereich, den Sie behandeln, gut im Blick und vermeiden eine versehentliche Behandlung auf Lippen oder Pigmentflecken. Empfinden Sie das reflektierte Licht als unangenehm, können Sie die Augen vor jedem Blitz schließen.
- Versuchen Sie, die Haut zu spannen, damit der Hautkontakt leichter hergestellt werden kann - durch das Hautprofil kann der vollständige Hautkontakt über die Sensoren auf bestimmten Partien erschwert werden. Vielleicht ist es für Sie einfacher, mit Ihrer Oberlippe die Zahnreihe zu umschließen oder mithilfe Ihrer Zunge die Wangen zu spannen, damit die Sensoren vollständig auf der Haut aufliegen.

PFLEGE NACH DER BEHANDLUNG

Nach der Behandlung kann es sein, dass Sie eine leichte Rötung oder ein warmes Gefühl auf der Haut feststellen. Das ist normal und geht bald wieder zurück. Um Hautirritationen nach der Behandlung zu vermeiden, halten Sie sich an folgende Vorsichtsmaßnahmen:

- Vermeiden Sie Sonnenbestrahlung 24 Stunden nach einer Behandlung. Schützen Sie Ihre Haut nach jeder Behandlung 2 Wochen lang mit LSF 30.
- Vermeiden Sie in einem Zeitraum von 2 Wochen nach der letzten Behandlung ausgedehnte Sonnenbäder, auch in Solarien, sowie den Einsatz von Selbstbräunern.
- Achten Sie darauf, dass die behandelten Partien nach der Behandlung sauber, damit die Haut nicht austrocknet.
- Vermeiden Sie heiße Vollbäder, Duschen, Dampfbäder oder Saunabesuche solange, bis eine etwaige Rötung bzw. Reizung der Haut nach der Behandlung vollständig abgeklungen ist.
- Führen Sie während der Behandlung keine Enthaarung durch (egal ob durch Wachsbehandlung, Zupfen, Fadenenthaarung oder Enthaarungscremes). Rasieren ist 24 Stunden nach der Behandlung zulässig.
- Verwenden Sie innerhalb von 24 Stunden nach der Behandlung keine Bleichcremes oder parfümierten Produkte.

300.000-BLITZ-LÄMPCHEN

- Das Lämpchen gibt im Laufe seiner Lebensdauer 300 000 Blitze ab..
- Wir garantieren, dass die Lampe in diesem Gerät die gesamte Garantiezeit lang funktionstüchtig bleibt, wie auf der beiliegenden Garantiekarte angeführt.
- Wenn die Lichtkartusche 99% ihrer möglichen Lebensdauer erreicht hat, leuchtet eines der LED-Lämpchen seitlich am Handstück während des Ladevorgangs rot.
- Wenn die Lebensdauer der Lichtkartusche abgelaufen ist, kann das Gerät nicht mehr verwendet werden.

REINIGUNG IHRES i-LIGHT GERÄTES

⚠️ WARNHINWEIS: Vergewissern Sie sich vor der Reinigung Ihres i-LIGHT, dass das Gerät AUSGESCHALTET und das Netzkabel nicht an das Gerät angeschlossen ist.

Eine regelmäßige Reinigung gewährleistet optimale Ergebnisse und eine lange Lebensdauer für Ihr Gerät.

- Verwenden Sie zum Reinigen des Lichtimpulsfensters nur das Ihrem i-LIGHT Gerät beiliegende faserfreie Reinigungstuch.
- Um hartnäckige Flecken auf dem Lichtimpulsfenster zu entfernen, tragen Sie mit einem Wattestäbchen etwas Reinigungsalkohol oder Waschbenzin auf das Lichtimpuls auf und reinigen Sie es vorsichtig mit dem beiliegenden faserfreien Reinigungstuch.

⚠️ WARNUNG: Wenn das Lichtimpulsfenster Risse aufweist oder beschädigt ist, darf das Gerät nicht mehr benutzt werden. Auf keinen Fall das Glas, welches das Licht filtert, oder die Metalloberfläche im Aufsatz zerkratzen.

⚠️ VORSICHT: Das i-LIGHT Gerät arbeitet mit Hochspannung. Tauchen Sie das Gerät auf keinen Fall in Wasser und reinigen Sie das Gerät oder Teile davon auf keinen Fall unter fließendem Wasser oder in der Geschirrspülmaschine.

DEUTSCH

Aufbewahrung

Schalten Sie das Gerät aus, ziehen Sie den Netzstecker vom Strom und lassen Sie es, bevor Sie es verstauen, 10 Minuten lang abkühlen.

FEHLERSUCHE

- Lesen Sie diese Anleitung stets sorgfältig durch, bevor Sie das i-LIGHT Gerät benutzen.
- Bei Problemen mit dem i-LIGHT Gerät konsultieren Sie den Leitfaden zur Fehlerbehebung. In diesem Abschnitt sind die Probleme aufgelistet, die am häufigsten beim Einsatz des i-LIGHT Geräts auftreten können. Wenn Sie die Anweisungen unter diesem Abschnitt befolgen, die Probleme aber weiterhin auftreten, wenden Sie sich für weitere Unterstützung bitte an das Remington® Service Center.

Ich schalte das Gerät EIN, aber es funktioniert nicht:

- Vergewissern Sie sich, dass das Gerät an einer funktionierenden Steckdose angeschlossen ist.
- Versuchen Sie, das Gerät an einer anderen Steckdose anzuschließen.

Das Gerät hat Risse oder ist beschädigt.

- Verwenden Sie das Gerät nicht, wenn es beschädigt ist. Haben Sie Bedenken, das Gerät zu benutzen, stellen Sie die Nutzung ein und wenden Sie sich für weitere Unterstützung an das Remington® Service Center.

Ich habe das Gerät eingeschaltet, kann aber den Modus nicht ändern.

- Versuchen Sie, das Gerät neu zu starten, indem Sie es abschalten und einige Sekunden warten, bevor Sie es erneut einschalten.

Es riecht merkwürdig.

- Achten Sie darauf, dass die zu behandelnde Partie vor der Behandlung vollständig rasiert ist.

Die behandelten Partien sind nach der Behandlung gerötet.

- Das ist ganz normal und die Rötung sollte wieder abklingen. Wenn nicht, wechseln Sie in den Sensitiv- Modus. HINWEIS: Sollte das i-LIGHT zu heiß werden, geht es in den Wartemodus über. Im Wartemodus leuchten die 5 LED-Lämpchen seitlich am Handstück der Reihe nach auf. Lassen Sie das Handstück ein paar Minuten lang abkühlen. Sie müssen das Gerät dazu nicht ausschalten. Sobald es wieder einsatzbereit ist, hören die LED-Lämpchen auf, zu leuchten.

HÄUFIG GESTELLTE FRAGEN

- Eine vollständige Liste der häufig gestellten Fragen (FAQs) finden Sie auf www.remington-ilight.com.
- F. Welche Körperstellen kann ich mit i-LIGHT behandeln?
A. i-LIGHT wurde speziell für die Behandlung von Körperstellen unterhalb des Halses, inklusive der Beine, Achseln, Bikinizone, Arme, Brust und des Rückens von Männern und Frauen konzipiert. Er kann auch für die weibliche Gesichtsbehaarung unterhalb der Wangenknochen verwendet werden.
- F. Ist die Behandlung mit i-LIGHT unbedenklich? Welche Risiken bestehen?
A. i-LIGHT wurde erfolgreich auf seine Sicherheit und Wirksamkeit getestet; wie bei jedem elektronischen Gerät ist es aber wichtig, die notwendigen Sicherheitsvorkehrungen und Bedienungsanleitungen zu beachten.
- F. Kann sich eine längere Behandlung mit IPL schädlich auf die Haut auswirken?
A. Es sind keine Nebenwirkungen oder Hautschädigungen in Zusammenhang mit einer Langzeitbehandlung mit Intense Pulse Light (IPL) bekannt.
- F. Warum wächst mein Haar trotz der Behandlungen weiter?
A. Die Ergebnisse sind nicht sofort sichtbar und können individuell variieren. In den meisten Fällen nimmt der Haarwuchs bereits innerhalb der ersten zwei Wochen nach Beginn der Behandlung ab. Während dieser Zeit sieht es vielleicht so aus, als würde das Haar weiterwachsen, tatsächlich wird es aber „herausgeschoben“. Das Haar wächst in einem 18-24 Monate dauernden Zyklus aus 3 verschiedenen Wachstumsphasen. Nur die Haare, die sich gerade in der aktiven Wachstumsphase befinden, sind für die Behandlung empfänglich, daher sind für ein optimales Ergebnis mehrere Behandlungen nötig. Ein anderer Grund für weiteres Haarwachstum kann sein, dass der betreffende Bereich während der Behandlung ausgelassen wurde. Wiederholen Sie den Behandlungsplan, wenn Sie weiteren Haarwuchs bemerken.

- Q. Warum darf ich i-LIGHT nicht nach dem Sonnenbaden verwenden?
- A. Wenn die Haut starkem Sonnenlicht ausgesetzt ist, werden große Mengen Melatonin produziert und das Risiko von Verbrennungen oder Blasenbildung nach der Behandlung steigt.
- Q. Muss ich bei der Behandlung mit i-LIGHT meine Augen schützen?
- A. Nein, die Behandlung ist nicht schädlich für die Augen. i-LIGHT enthält ein Sicherheitssystem, das unabsichtliches Blitzen ohne Hautkontakt verhindert. Die kleine Lichtmenge, die bei der Behandlung abgegeben wird, ist mit dem Blitzlicht einer Kamera vergleichbar und nicht schädlich für die Augen. Die speziell entwickelten Behandlungsaufsätze minimieren Lichtaustritt. Empfinden Sie das reflektierte Licht als unangenehm, können Sie die Augen vor jedem Blitz schließen.



RECYCLING



Um durch giftige Substanzen hervorgerufene Gefahren für Gesundheit und Umwelt zu vermeiden, dürfen Geräte sowie wiederaufladbare und nicht wiederaufladbare Batterien, die mit einem dieser Symbole gekennzeichnet sind, nicht mit unsortiertem Siedlungsabfall entsorgt werden. Entsorgen Sie elektrische und elektronische Produkte und gegebenenfalls wiederaufladbare und nicht wiederaufladbare Batterien bei entsprechenden amtlichen Recycling- / Rücknahmestellen.

NEDERLANDS

Hartelijk dank voor het kopen van uw nieuwe Remington® product. Lees de instructies voor gebruik zorgvuldig door en bewaar deze op een veilige plaats, zodat u deze later nog eens door kunt lezen. Verwijder alle verpakkingsmaterialen voor gebruik.

BELANGRIJKE VOORZORGSMAATREGELEN

- Dieses Gerät ist nicht für die Nutzung von Kindern unter 18 Jahren sowie von Personen mit eingeschränkten physischen, sensorischen oder geistigen Fähigkeiten oder Mangel an Erfahrung und Wissen geeignet, es sei denn sie werden dabei beaufsichtigt / instruiert und verstehen die damit verbundenen Gefahren. Kinder dürfen nicht mit dem Gerät spielen. Reinigung und Pflege dürfen nicht von Kindern unter 18 Jahren durchgeführt werden.
- Houd het apparaat en het snoer buiten het bereik van kinderen onder de 8 jaar.
- Gebruik het apparaat niet wanneer het snoer beschadigd is. Vervangende onderdelen zijn verkrijgbaar via ons internationale Service Center.
- ⊘ De behuizing van dit apparaat is niet afwasbaar en is niet waterbestendig. Dompel het apparaat niet onder in vloeistoffen, gebruik het niet in de buurt van water (bv. badkuipen, douches, wastafels of andere reservoirs die water of andere vloeistoffen bevatten) en gebruik het niet in de buitenlucht.
- Dit product straalt mogelijk gevaarlijke optische straling uit. Niet in de lichtbron kijken, kan schadelijk voor de ogen zijn.
- Gebruik het apparaat alleen voor het beoogde doel, zoals beschreven in deze handleiding.
- Gebruik het apparaat niet wanneer deze beschadigd is of storingen vertoont.
- Laat het apparaat niet onbeheerd achter wanneer deze op het stopcontact is aangesloten.
- Houd het snoer en de stekker uit de buurt van warmtebronnen.
- Gebruik geen andere accessoires of hulpstukken anders dan die door Remington® zijn/worden geleverd.
- Zorg ervoor dat het snoer niet gedraaid of beschadigd is. Wikkel het snoer niet om het apparaat.
- Zorg ervoor dat uw handen droog zijn wanneer u de stekker in het stopcontact steekt of deze eruit haalt.
- Dit apparaat is niet bedoeld voor commercieel gebruik of gebruik in een salon.

Voordat u i-LIGHT gebruikt:

Lees alle waarschuwingen en veiligheidsinformatie. Voordat u begint, moet u eerst controleren of i-LIGHT voor u geschikt is.

Gebruik de huid- en haartabel aan het begin van deze handleiding en de ingebouwde huidsensor om te bepalen of dit apparaat geschikt is voor u (Afb. 1).

WAARSCHUWING: i-LIGHT is niet geschikt voor zeer donkere of zwarte huid. i-LIGHT is niet efficiënt op licht of grijs haar en is minder efficiënt op blond en rood haar.

Voor gebruik op het gezicht: Alleen geschikt voor vrouwelijk gezichtshaar op de wangen, bakkebaarden, kin, nek en boven de lippen (Afb. 2).

NIET gebruiken op de ogen, wenkbrauwen en wimpers. Dit kan ernstige en permanente oogbeschadiging veroorzaken.

Huidtype

- Gebruik het apparaat niet op een natuurlijk donkere huid, aangezien dit brandwonden, blaren en veranderingen in de huidskleur kan veroorzaken.
- Gebruik het apparaat niet op een gebruinde huid of na recente blootstelling aan de zon, aangezien dit brandwonden en huidletsel kan veroorzaken.
- i-LIGHT is niet effectief op lichaams- of gezichtshaar dat van nature wit, grijs, blond of rood is

Gebieden die u niet mag behandelen:

- Niet op de hoofdhuid of op de oren gebruiken
- Niet op het mannelijke gezicht of in de nek gebruiken.

- Niet boven het jukbeen gebruiken (vrouwelijke).
- Niet op de tepels, tepelhof of geslachtsdelen gebruiken
- Niet gebruiken indien u tatoeages of permanente make-up hebt op de gebieden die u wilt behandelen.
- Niet op donkerbruine of zwarte plekken gebruiken zoals moedervlekken of sproeten.
- Niet op gebieden gebruiken waar u onlangs geopereerd bent, een diepe peeling of laser resurfacing hebt gehad, littekens hebt of huid die beschadigd is door de aanwezigheid van brandwonden of verbrandingen.

**Wanneer het gebruik van i-LIGHT niet is toegestaan of moet worden vermeden**

- Gebruik het apparaat NIET als de te behandelen zone is gebruikt. Uw huid is immers mogelijk te donker en een behandeling op een gebruikte huid kan leiden tot tijdelijke zwellingen, blaren of een verandering van de huidskleur. Wacht tot de bruining van uw huid is verdwenen alvorens de behandeling te ondergaan.
- Gebruik het apparaat NIET op een huid waarop cosmetica is aangebracht aangezien dit kan leiden tot tijdelijke zwellingen, blaren of een verandering van de huidskleur. Zorg ervoor dat u de te behandelen zone grondig reinigt alvorens het apparaat te gebruiken.
- Flits NIET meerdere keren op dezelfde zone tijdens dezelfde sessie aangezien dit kan leiden tot tijdelijke zwellingen, blaren of een verandering van de huidskleur.
- Behandel een zone NIET meerdere keren per week. Hierdoor wordt het gewenste resultaat niet sneller verkregen, maar het verhoogt wel de kans op tijdelijke zwellingen, blaren of een verandering van de huidskleur.
- Gebruik het apparaat NIET op een beschadigde huid, inclusief wondjes die niet geheeld zijn, koortsblaasjes, een roodverbrande huid of een andere zone die een huidpeeling of andere huidvernieuwende behandeling heeft ondergaan in de laatste zes tot acht weken voorafgaand aan de behandeling.
- Gebruik het apparaat NIET op een geïrriteerde huid, inclusief op zones met huiduitslag of zwellingen. Deze aandoeningen kunnen de huid gevoeliger maken. Wacht totdat de aangetaste zone is genezen om het apparaat te gebruiken.
- Gebruik het apparaat NIET op een lichtgevoelige huid. Test het apparaat op een klein gedeelte van uw huid en wacht 24 uur om te bepalen of u i-LIGHT kunt gebruiken. Zo weet u of er ongewenste bijwerkingen ontstaan alvorens een groter deel van uw huid te behandelen.
- Gebruik het apparaat NIET wanneer u zwanger bent, zwanger denkt te zijn of borstvoeding geeft. i-LIGHT is niet getest op zwangere vrouwen. Hormonale schommelingen zijn normaal tijdens een zwangerschap of bij borstvoeding en kunnen de huid gevoeliger maken en het risico op huidletsel verhogen.
- Richt de flits van het apparaat NIET op andere materialen dan de huid.
- Gebruik i-LIGHT NIET voor een ander doel dan voor het verwijderen van haar.
- Gebruik het apparaat NIET op een zone waar u later opnieuw het haar wilt laten groeien. Het resultaat is mogelijk definitief en onomkeerbaar.
- Gebruik het apparaat niet in uw gezicht indien u een koortslip hebt gehad; het gebruik van IPL of een andere methode die de huid kan irriteren kan de koortslip doen terugkeren.
- Wacht tenminste zes maanden alvorens i-LIGHT te gebruiken wanneer u behandelingen voor het verwijderen van haar door middel van een laser, IPL of elektrolyse hebt ondergaan (door een professionele huidkundige of uzelf). Wacht tenminste zes weken alvorens i-LIGHT te gebruiken wanneer u het haar op de te behandelen zone heeft gewaxed, geharst of geëpileerd. Het apparaat richt zich op het haar onder het huidoppervlak om deze bij de wortel te behandelen. De werking van het apparaat is niet effectief wanneer het haar bij de wortel is verwijderd.
- Gebruik het apparaat niet op of in de buurt van kunstmatige materialen, zoals siliconenimplantaten, Implanon contraceptieve implantaten, pacemakers, onderhuidse injectiepoorten (insulinepomp) of piercings.
- Hoewel tijdens de studies met dit apparaat geen problemen zijn gemeld, is het aanbevolen zich te houden aan alle waarschuwingen/aanbevelingen voor actief-werkende geïmplanteerde medische hulpmiddelen wanneer elektronische apparaten worden gebruikt om storing of onderbreking van een implantaat actief implanteerbaar hulpmiddel te vermijden.
- Apparaten voor draadloze communicatie kunnen het i-LIGHT-apparaat beïnvloeden en moeten op een afstand van minstens 3,3 m worden gehouden.
- Niet gebruiken op of dichtbij metalen vullingen, implantaten of beugels.

NEDERLANDS

BELANGRIJKSTE KENMERKEN (AFB. 3)

- | | |
|--------------------------------|----------------------------------------|
| 1. Aan/uit schakelaar | 10. Snoer voor handstuk |
| 2. Aansluiting netsnoer | 11. Flitsvenster |
| 3. Accupack | 12. Huidcontactsensor |
| 4. Handstuk | 13. Opzetstuk voor Lichaamsbehandeling |
| 5. ✦ Krachtmodus Flitsknop | 14. Opzetstuk voor Gezichtsbehandeling |
| 6. ✦ Gevoelige Modus Flitsknop | 15. Netsnoer |
| 7. ⚡ Expresmodus Flitsknop | 16. Pluisvrije doek |
| 8. LED-indicatielampjes | 17. Opbergtas (niet weergegeven) |
| 9. Huidsensoren | |

OM TE BEGINNEN

Vouw de voorste en achterste pagina's van deze handleiding open, zodat u tijdens het lezen de schema's kunt raadplegen. Wees geduldig wanneer u i-LIGHT voor het eerst gebruikt. Zoals met elk nieuw product, duurt het even voordat u er helemaal vertrouwd mee bent. Neem de tijd om de i-LIGHT te leren kennen. Wij zijn ervan overtuigd dat u er jarenlang van zult genieten en uitermate tevreden zult zijn.

KENNISMAKING MET i-LIGHT

Wat is i-LIGHT?

Het i-LIGHT systeem is een revolutionair apparaat gebaseerd op lichtontharing voor het verwijderen van ongewenst lichaamshaar en vrouwelijk gezichtshaar in het comfort van uw huis.

i-LIGHT heeft dezelfde klinisch-bewezen technologie zoals gebruikt door professionele dermatologen en schoonheidssalons, maar geoptimaliseerd voor persoonlijk gebruik.

Wat is IPL (Intense Pulse Light) en hoe werkt i-LIGHT?

IPL - (Intense Pulsed Light) is een goed ingeburgerde technologie die al meer dan 15 jaar wereldwijd wordt gebruikt. i-LIGHT gebruikt deze technologie om uw huid te behandelen met lichtenergie.

De lichtenergie werkt onder het huidoppervlak om het haar vanaf de wortel te behandelen en de haargroei te stoppen (afb. 4)

De lichtenergie richt zich op donkere kleuren (melanine in het haar) en de beste resultaten zijn dan ook zichtbaar op donker haar.

i-LIGHT is bedoeld voor gebruik op een lichte, middeldonkere en donkere huid (huidtint I-V).

Wat kan ik verwachten van i-LIGHT

Het resultaat is niet onmiddellijk zichtbaar en hangt af van de persoon. De meeste gebruikers merken één tot twee weken na het begin van de behandeling dat het aantal haren afneemt. Tijdens deze periode lijkt het haar nog steeds te groeien maar wordt het in feite 'eruit geduwd' (Afb.5).

De groeicyclus van het haar heeft 3 verschillende fasen die 18 tot 24 maanden duren (Afb.6). Alleen de haren in de actieve groeifase zijn onderhevig aan de behandeling. Daarom zijn voor een optimaal resultaat meerdere behandelingen vereist.

Het is belangrijk de volledige behandeling te ondergaan om te verzekeren dat alle actieve haren worden behandeld.

Behandeling

Een volledige behandeling is eenmaal per twee weken voor drie behandelingen. Het resultaat kan per keer verschillen. Voor een optimaal resultaat hebt u dus meerdere behandelingen nodig. Er zal haargroei plaatsvinden die minder dicht, fijner en lichter van kleur is dan de oorspronkelijke haren. Deze hergroei is normaal en valt te verwachten. Nadat u de volledige behandeling hebt voltooid, geven de daaropvolgende behandelingen, eenmaal elke vier weken, een nog beter resultaat. Een continue regelmatige behandeling om de twee weken zal binnen 8-12 weken leiden tot goede resultaten (een donkere huidtint kan langer duren). Niet meer dan een keer per twee weken gebruiken. **OPMERKING:** Behandel hetzelfde gebied niet meer dan één keer binnen dezelfde sessie aangezien niet de doeltreffendheid maar wel het risico op huidirritatie zal toenemen **OPMERKING:** Behandel hetzelfde gebied niet meer dan één keer binnen dezelfde sessie aangezien niet de doeltreffendheid maar wel het risico op huidirritatie zal toenemen

KENNISMAKING MET i-LIGHT

Flitsvenster met ingebouwde UV-bescherming (Afb. 7)

WAARSCHUWING: inspecteer altijd het flitsvenster, voordat u het apparaat gebruikt om ervoor te zorgen dat de lens niet beschadigd is.

WAARSCHUWING: maak het flitsvenster altijd voor gebruik schoon met de meegeleverde pluisvrije doek om ervoor te zorgen dat er geen olie of vuil op de lens aanwezig is.

Huidcontactsensor (Afb. 8)

Dit veiligheidsmechanisme voorkomt een onopzettelijke flits. Het apparaat flitst niet tenzij beide huidcontactsensoren de huid volledig raken.

Krachtmodus, Gevoelige Modus en Expresmodus (Afb. 9)

De knoppen voor Krachtmodus, Gevoelige Modus en Expresmodus bevinden zich op het handstuk.

Huidtint tester (Afb. 10)

Kan alleen worden gebruikt op geschikte huidskleuren.

Opzetstukken:

Opzetstuk voor Lichaamsbehandeling voor grote oppervlakken onder de hals (Afb. 11).

Opzetstuk voor precisiebehandeling voor kleinere delen van het gelaat van vrouwen, zoals wangen, bakkebaarden, kin, nek en bovenlip (afb. 12).

Vrijgaveknop opzetstuk (Afb. 13)

Neem het opzetstuk vast op de opgegeven plaats en trek het naar achteren om het opzetstuk te verwijderen. Bij het vervangen van het opzetstuk zullen magneten helpen om het opzetstuk op zijn plaats te brengen.

VOORBEREIDEN OP GEBRUIK

UW HUID VOORBEREIDEN OP DE BEHANDELING

- Zorg ervoor dat de te behandelen zone schoon is en vrij is van olie, deodorant, parfum, make-up, lotion en crème. Scheer of trim het haar op de te behandelen zone en zorg ervoor dat de huid schoon en droog is.
- Gezichtshaar wilt u wellicht liever trimmen. Als u het haar trimt, moet dit korter zijn dan 0,5 mm.
- Epileer nooit met was, pincet of een andere methode waarbij het haar met de wortel wordt uitgetrokken omdat de IPL dan niet doeltreffend werkt.

DE i-LIGHT KLAARMAKEN VOOR GEBRUIK

- Steek het snoer in een stopcontact.

UW HUIDSKLEUR CONTROLEREN

- Om te bepalen of uw huidtint geschikt is voor gebruik met dit apparaat moet u uw huid op de beoogde behandelingsplaatsen vergelijken met de Huidtintkaart die u vooraan deze handleiding kunt vinden (Afb. 1).
- Als uw huid overeenkomt met de lichte, middeldonkere of donkere huidtinten op de Huidtintkaart (Skin Tone I-V), dan mag u dit i-LIGHT-apparaat gebruiken.
- Als uw huid op de beoogde behandelingsplaats overeenkomt met de donkerste huidtint (Skin Tone) op de Huidtintkaart, dan mag u het apparaat NIET gebruiken (huidtint VI - Skin Tone VI).
- Deze i-LIGHT heeft op het opzetstuk een ingebouwde HUIDTINT TESTER, die ontworpen is om te voorkomen dat te donkere huid wordt behandeld.
- Als uw huid geschikt is om te worden behandeld, dan zal i-LIGHT eenmaal knipperen en de led-lampjes aan de zijkant van het handstuk wit oplichten. Het aantal lampjes dat begint te branden, zal uw huidtint aanduiden.
- Als uw huid te donker is om te worden behandeld, dan zal het apparaat één keer knipperen en zult u vier pieptonen horen en zal een rode led aan de zijkant van het handstuk beginnen te branden.
- Als u denkt dat uw huid toch geschikt is, op basis van de Huidtintkaart (Afb. 1), maar het apparaat knippert en u hoort vier pieptonen, probeer dan een ander behandelgebied.



NEDERLANDS

TEST i-LIGHT OP UW HUID

Test i-LIGHT eerst op een klein stukje van uw huid en wacht vervolgens 24 uur om er zeker van te zijn dat er geen bijwerkingen optreden.

1. Plaats het handstuk van de i-LIGHT tegen uw huid zodat het flitsvenster op de huidoppervlak staat.
2. Zorg dat de Huidsensoren in contact met de huid zijn en dat de led-lampjes wit branden.
3. Selecteer de gewenste modus en druk op de knop om de flits te activeren.
TIP: Een licht tot matig ongemak is normaal, u kunt beginnen met de Gevoelige Modus en later overschakelen naar de Krachtmodus.
4. Wacht 24 uur en bekijk de zone die u hebt getest. Wanneer de huid normaal lijkt, gaat u verder met uw eerste volledige behandeling op het voor u gepaste energieniveau.
OPMERKING: U moet het apparaat testen op elke zone van het gezicht of lichaam die u wilt behandelen.

DE MODUS SELECTEREN

- De geïntegreerde HUIDTINT TESTER op het opzetstuk zal voor elke instelling het gewenste vermogen instellen, op basis van de geregistreerde huidtint.
- Deze i-LIGHT heeft 3 verschillende modi; Krachtmodus (volledig vermogen), Gevoelige Modus en Expresmodus. Het apparaat zal na het inschakelen zich in de Krachtmodus bevinden. In de Krachtmodus en Gevoelige Modus zal het ongeveer elke 3 seconden knipperen en minder dan 1 seconde in de Expresmodus.

De Krachtmodus

De Krachtmodus (volledig vermogen) zal de hoogste niveaus toedienen, op basis van uw huidtint. Deze modus is ideaal voor de behandeling van zowel grotere als kleinere gebieden en zal betere resultaten geven. De Krachtmodus zal u de beste resultaten in minder behandelingen geven, maar kan minder comfortabel zijn.

De Gevoelige modus

De Gevoelige modus is voor degenen die de Krachtmodus te intensief vinden. De Gevoelige Modus is minder krachtig voor degenen die gevoelig voor ongemakken zijn, maar die nog steeds ongewenste haren willen verwijderen. Om de gewenste resultaten te behalen, zult u in deze modus enkele behandelingen extra moeten doen.

De Expresmodus

De Expresmodus biedt de gebruiker een tijdvriendelijke optie voor de behandelingen. In deze modus kunt u grotere gebieden sneller behandelen, maar het kan minder efficiënt zijn en enkele behandelingen extra vergen om de gewenste resultaten te halen.

OPMERKING: Wanneer het apparaat is ingeschakeld, wordt automatisch de standaard Krachtmodus (volledig vermogen) geselecteerd.

- Als u een alternatieve modus wilt selecteren, druk dan op de gewenste knop.
- Zodra u hebt gekozen welke modus voor u geschikt is, plaatst u het behandelingsvenster stevig tegen uw huid.
- Het apparaat is nu klaar om de eerste flits toe te dienen. Om de Gevoelige Modus of Expresmodus te deselecteren, drukt u nogmaals op de geselecteerde knop en het apparaat zal terugkeren naar de Krachtmodus met alleen de Flitsknop verlicht.

BEHANDELING

BEHANDELKOPPEN VERVANGEN

- Uw i-LIGHT wordt geleverd met twee aparte Opzetstukken:
- Het Opzetstuk voor Lichaamsbehandeling wordt gebruikt voor grotere gebieden, zoals lichaamshaar.
- Het Opzetstuk voor Precisiebehandeling is bedoeld voor kleinere gebieden, zoals vrouwelijk gezichtshaar, oksels en bikinilijn.

Een opzetstuk vervangen:

WAARSCHUWING: Zorg dat het apparaat is UITGESCHAKELD en het netsnoer uit het stopcontact is gehaald voordat u het opzetstuk verwijderd.

- Laat het apparaat 5 minuten afkoelen voordat u het Opzetstuk verwisselt.
1. Zet de aan/uit-schakelaar op UIT en trek het snoer uit het stopcontact.
 2. Houd het apparaat met een hand vast terwijl u voorzichtig met de andere hand aan het Opzetstuk trekt (Afb. 13).

OPMERKING: De Opzetstukken worden magnetisch aan het apparaat bevestigd en moeten gemakkelijk te verwijderen zijn.

TIP: Bewaar de ongebruikte Opzetstukken op een veilige locatie (zoals in de verpakking) zorg ervoor dat het flitsvenster en andere onderdelen niet worden beschadigd.

3. Duw het andere Opzetstuk terug op het apparaat, controleer of het vastklikt.



Hoe te behandelen:

1. Plaats het flitsvenster stevig tegen de huid. Zorg ervoor dat de huidcontactsensoren volledig contact maken. Als de Huidsensoren volledig in contact met de huid zijn, zal de flitsknop op het apparaat wit knipperen en de led's aan de zijkant van het handstuk zullen branden, dit geeft aan dat het apparaat klaar voor gebruik is.
OPMERKING: Als de Huidsensoren NIET volledig in contact met de huid zijn, zal het apparaat niet werken als u op de Flitsknop drukt en zal het "zoemen". Controleer nogmaals of de huidsensoren volledig in contact komen met de huid.
2. Druk op de flitsknop om éénmaal te flitsen. U ziet een heldere lichtstraal (lijkend op de flits van een camera) en u ervaart een licht warmtegevoel op de huid.
3. Ga naar het volgende gebied en behandel de huid net alsof u een rooster wilt tekenen om ervoor te zorgen dat u het gehele gebied behandelt.
 - Bij de enkele-flitsmodus drukt u op de flitsknop telkens als u naar het volgende gebied gaat.
 - Bij de multi-flitsmodus houdt u uw vinger op de flitsknop zodat deze ingedrukt blijft en gaat u naar het volgende gebied en zorg ervoor dat de huidcontactsensoren volledig contact blijven maken. Het apparaat flitst automatisch na 3 seconden (In de Krachtmodus).
 - Als u tijdens de multi-flitsmodus de flitsknop loslaat of als de huidcontactsensor geen contact meer maakt, hervat u gewoon de behandeling door de bovenstaande stappen uit te voeren.

Gezichtsbehandeling (alleen voor vrouwen)

Gezichtshaar kan erg verschillen van lichaamshaar en de huid op het gezicht is doorgaans gevoelig en wordt meer blootgesteld aan de straling van de zon. De behandeling van ongewenst gezichtshaar is dus verschillend van de behandeling van lichaamshaar. Zorg ervoor dat u de waarschuwingen en veiligheidsinstructies aandachtig hebt gelezen alvorens een gezichtsbehandeling te starten.

BELANGRIJK: Het Opzetstuk voor Precisiebehandeling is speciaal ontworpen om de unieke eigenschappen van vrouwelijke gezichtshaar te behandelen. Gebruik het Opzetstuk voor Lichaamsbehandeling NIET op het gezicht. Raadpleeg het hoofdstuk "Behandelkoppen vervangen" voor meer informatie.

Het Opzetstuk voor Precisiebehandeling is alleen bedoeld voor gebruik op vrouwelijke gezichtshaar op de wang, bakkebaarden, kin, nek en boven de lippen. (Afb. 2).

Gebruik het apparaat NIET op mannelijke baarden of gezichtsbehaaring aangezien de resultaten permanent of onevenwichtig kunnen zijn en tot een verandering in de gezichtskenmerken kunnen leiden die niet gewenst zijn.

BEHANDELTIPS

Lichaamsbehandeling

- Probeer overlappende flitsen te voorkomen om de beste resultaten te verkrijgen. Hierdoor voorkomt u dat uw huid aan meer energie wordt blootgesteld dan nodig is om haargroei tegen te gaan. Hierdoor wordt ook verzekerd dat u het lampje maximaal benut.
- Voor de meest effectieve resultaten dient u het hoogste energieniveau te gebruiken dat geen ongemak op uw huid veroorzaakt. Het niveau dat u gebruikt zou warm moeten aanvoelen op uw huid, maar mag geen ongemak veroorzaken.
- Het kan zo zijn dat benige gebieden, zoals de ellebogen, scheenbenen en enkels, gevoeliger zijn tijdens de behandeling. Dit is normaal en u hoeft zich hier geen zorgen over te maken. Om gevoeligheid te voorkomen, kunt u tijdens de behandeling proberen om de huid op te rekken, weg van het benige gebied.

Gezichtsbehandeling

- Test op een gedeelte van de huid - de huid van het gezicht is doorgaans gevoeliger: test daarom eerst op een klein stukje huid alvorens verder te gaan. Raadpleeg het onderdeel "De i-LIGHT op uw huid testen" voor meer informatie.

NEDERLANDS

- Gebruik een spiegel voor de behandelingen. Met een spiegel krijgt u een goed zicht op het te behandelen gebied en verzekert u dat de lippen of andere donkere plekken niet worden behandeld. Als de weerkaatste flits onaangenaam is, sluit u uw ogen voor elke flits.
- Houd de huid strak voor een beter huidcontact. Door de gezichtscontouren kan het lastig zijn om de huidcontactsensor goed te plaatsen en volledig contact te laten maken met de huid. Voor een beter contact met de huid is het wellicht eenvoudiger om uw bovenlip over uw tanden te plaatsen of de huid van uw wangen strak te houden door uw tong tegen de binnenzijde van de wang te duwen.

VERZORGEN NA DE BEHANDELING

Na de behandeling kunt u lichte roodheid en een warm gevoel op uw huid ervaren. Dit is normaal en zal snel wegtrekken. Om irritatie van uw huid na een behandeling te vermijden, volgt u de volgende voorzorgsmaatregelen:

- Vermijd blootstelling aan de zon gedurende 24 uur na een behandeling. Bescherm de huid met SPF 30 gedurende 2 weken na elke behandeling.
- U mag zich niet langdurig aan de zon blootstellen zoals bij het zonnen of onder de zonnebank, of met zelfbruiner insmeren gedurende tenminste 2 weken na de laatste behandeling.
- Na behandeling moet u de behandelde gebieden schoon en droog om de huid gehydrateerd te houden.
- Neem geen hete baden, douche of stoombaden en sauna's totdat de roodheid of gevoeligheid van de huid weer normaal is.
- Ontharing (waxen, epilieren, threading of crèmes) gedurende de behandeling is niet toegestaan - scheren is aanvaardbaar zolang u niet gedurende de eerste 24 uur na een behandeling scheert.
- Gebruik geen blekende crèmes of geparfumeerde producten gedurende 24 uur na een behandeling.

LAMP VOOR 300.000 FLITSEN

- De lamp zal tijdens zijn levensduur 300.000 flitsen leveren.
- Het lampje in dit apparaat is gedurende de hele garantieperiode gedekt, net zoals op de garantietafel van dit apparaat wordt gemeld.
- Als de levensduur van de lamp 99% van de mogelijke levensduur heeft bereikt, zal een van de led's aan de zijkant van het handstuk rood oplichten tijdens het opstarten.
- Als de levensduur van de lamp is afgelopen, zult u het apparaat niet langer kunnen gebruiken.

UW i-LIGHT REINIGEN

◆ LET OP: Alvorens uw i-LIGHT te reinigen, zorgt u ervoor dat het apparaat is UITGESCHAKELD en het snoer is losgekoppeld van het apparaat.

Een regelmatige reiniging van het apparaat draagt bij tot optimale resultaten en een lange levensduur van het apparaat.

- Gebruik voor het schoonmaken van het flitsvenster uitsluitend de pluisvrije doek die bij uw i-LIGHT apparaat is meegeleverd. Zorg ervoor dat het flitsvenster niet bekrast raakt en er geen stukjes afbreken. Krassen en afgebroken stukjes kunnen de effectiviteit van het apparaat verminderen.
- Voor lastige vlekken op het flitsvenster maakt u een wattenstokje nat met ontsmettingsalcohol, brengt u het aan op het flitsvenster en maakt u het vervolgens schoon met de meegeleverde pluisvrije doek.

◆ WAARSCHUWING: Indien het flitsvenster gebarsten of gebroken is, mag het apparaat niet meer gebruikt worden. Maak geen krassen op het filterglas of de metalen oppervlakte aan de binnenzijde van de behandelkop.

◆ WAARSCHUWING: i-LIGHT is een apparaat met een hoog voltage. U mag het apparaat nooit onderdompelen in water. Maak het apparaat en de onderdelen nooit schoon onder stromend water of in de vaatwasmachine.

Opbergen

Zet het apparaat uit, haal de stekker uit het stopcontact en laat het apparaat gedurende 10 minuten afkoelen voordat u het opbergt.

PROBLEMEN EN OPLOSSINGEN

- Lees deze instructies altijd volledig door, voordat u i-LIGHT gebruikt.
- Raadpleeg deze gebruiksaanwijzing indien u problemen met i-LIGHT ervaart, aangezien dit gedeelte de meest voorkomende problemen van i-LIGHT behandelt.
- Indien u de instructies in dit gedeelte heeft opgevolgd en alsnog problemen ervaart, kunt u contact opnemen met het Remington® servicecentrum voor extra ondersteuning.



De aan/uit schakelaar staat AAN, maar het apparaat werkt niet.

- Controleer of de stekker is aangesloten op een functionerend stopcontact.
- Probeer een ander stopcontact.

Het apparaat vertoont barsten of is gebroken.

- Gebruik het apparaat niet indien het beschadigd is. Indien u zich zorgen maakt over het gebruik van het apparaat, stop met het apparaat te gebruiken en neem contact op met het Remington® servicecentrum voor extra ondersteuning.

Ik heb het apparaat INGESCHAKELD, maar ik kan de modus niet veranderen.

- Probeer het apparaat te resetten door deze uit te zetten en enkele seconden te wachten voordat u deze weer aanzet.

Er is een vreemde geur.

- Zorg ervoor dat het gebied helemaal geschoren is, voordat u de behandeling begint.

De behandelde gebieden worden rood na behandeling.

- Dit is normaal en de roodheid zal verdwijnen. Zo niet, probeer dan de Gevoelige Modus.

OPMERKING: In het geval dat het i-LIGHT-apparaat te heet wordt, schakelt het apparaat naar de stand-by modus. In de stand-by modus zullen de 5 led's aan de zijkant van het handstuk beginnen te branden. Wacht een paar minuten totdat het handstuk is afgekoeld. U moet het apparaat niet uitschakelen, de led's zullen stoppen met branden als het apparaat opnieuw klaar voor gebruik is.

VEELGESTELDE VRAGEN

- Ga voor een volledige lijst met veelgestelde vragen naar (www.remington-ilight.com)
- V. Welke delen van mijn lichaam kan ik behandelen met i-LIGHT?
- A. i-LIGHT is bedoeld voor uniseks gebruik op gebieden onder de nek, met inbegrip van benen, onderarmen, bikinilijn, armen, borst en rug. Vrouwen kunnen dit apparaat ook gebruiken voor gezichtshaar onder het jukbeen.
- V. Wat zijn de risico's bij het gebruik van i-LIGHT? Is het veilig?
- A. i-LIGHT is bewezen veilig en effectief te zijn, maar net als elk elektronisch apparaat is het belangrijk dat u de gebruiksaanwijzingen en veiligheids waarschuwingen leest.
- V. Is langdurig gebruik van IPL gevaarlijk voor de huid?
- A. Er zijn geen gevallen bekend van bijwerkingen of huidbeschadiging door het langdurig gebruik van IPL (Intense Pulse Light).
- V. Waarom groeit mijn haar ondanks de behandelingen?
- A. Het resultaat is niet onmiddellijk zichtbaar en hangt af van de persoon. De meeste gebruikers merken één tot twee weken na het begin van de behandeling dat het aantal haren afneemt. Tijdens deze periode lijkt het haar nog steeds te groeien maar wordt het in feite 'eruit geduwd'. De groeicyclus van het haar heeft 3 verschillende fasen die 18 tot 24 maand duren. Alleen de haren in de actieve groeifase zijn onderhevig aan de behandeling. Daarom zijn voor een optimaal resultaat meerdere behandelingen vereist. Een andere reden voor de continue groei kan zijn dat het gebied tijdens de behandeling is overgeslagen. Ga door met de behandeling van het gebied wanneer u ziet dat het haar opnieuw groeit.

NEDERLANDS

- V. Waarom kan ik i-LIGHT niet gebruiken wanneer ik onlangs heb gezond?
- A. Door de blootstelling aan de zon stijgt de hoeveelheid melanine in de huid waardoor de behandeling een hoger risico op brandwonden of blaren met zich meebrengt.
- V. Heb ik oogbescherming nodig wanneer ik i-LIGHT gebruik?
- A. Nee, het is niet schadelijk voor de ogen. i-LIGHT beschikt over een veiligheidssysteem dat onopzettelijke flitsen voorkomt wanneer het apparaat geen contact maakt met de huid. De kleine hoeveelheid licht die wordt uitgezonden, is vergelijkbaar met de flits van een fotocamera en niet schadelijk voor de ogen. De speciaal ontworpen Opzetstukken minimaliseren lichtlekage. Als de weerkaatste flits onaangenaam is, sluit u uw ogen voor elke flits.

RECYCLING



Om milieu- en gezondheidsproblemen door gevaarlijke stoffen te vermijden, mogen apparaten en oplaadbare en niet oplaadbare batterijen met een van deze symbolen niet samen met het huishoudelijk afval worden verwijderd. Breng elektrische en elektronische producten en, indien van toepassing, oplaadbare en niet-oplaadbare batterijen, altijd naar een officieel recycling-/inzamelpunt.

Merci d'avoir acheté ce produit Remington®. Avant l'utilisation, veuillez lire attentivement ces instructions et conservez-les dans un endroit sûr. Retirez tout l'emballage avant utilisation.

AVERTISSEMENTS IMPORTANTS

- Cet appareil ne doit pas être utilisé par des enfants de moins de 18 ans, ni par des personnes aux aptitudes physiques, sensorielles ou mentales réduites ; ou ayant un manque d'expérience ou de savoir-faire, à moins qu'elles aient été mise au courant des risques encourus et les comprennent. Les enfants ne doivent pas jouer avec l'appareil. Le nettoyage et l'entretien ne doivent pas être effectués par des personnes de moins de 18 ans.
- Gardez l'appareil hors de portée des enfants de moins de huit ans.
- N'utilisez pas cet appareil si le cordon d'alimentation est endommagé. Vous pouvez obtenir un cordon de rechange en contactant notre Service Consommateurs.
- ⊘ Le corps de cet appareil n'est pas lavable et n'est pas résistant à l'eau. Ne plongez pas l'appareil dans un liquide. Veillez à ne pas l'utiliser à proximité de l'eau, dans une baignoire, un bassin ou tout autre récipient et ni à contenant de l'eau.
- Cet appareil pourrait émettre un rayonnement optique dangereux. Ne regardez pas la source de lumière, étant donné qu'elle pourrait causer des lésions oculaires.
- Utilisez cet appareil uniquement aux fins d'usage décrites dans ce manuel.
- N'utilisez pas l'appareil s'il fonctionne mal ou est endommagé.
- Ne pas laisser l'appareil sans surveillance lorsqu'il est branché.
- Veillez à maintenir le cordon d'alimentation et la prise électrique à distance des surfaces chauffées.
- Ne pas utiliser d'autres accessoires que ceux fournis.
- Ne pas tordre et enrouler le cordon autour de l'appareil.
- Veillez à ne pas brancher ni débrancher l'appareil avec les mains mouillées.
- Cet appareil n'est pas destiné à une utilisation commerciale ou en salon.

FR

Avant de commencer à utiliser l'i-LIGHT :

Assurez-vous de lire tous les avertissements et toutes les informations relatives à la sécurité. Avant de commencer, vérifiez si l'i-LIGHT est approprié dans votre cas.

Consultez le nuancier des types de peau et de poil au début de ce manuel et utilisez le détecteur de type de peau intégré pour déterminer si cet appareil vous convient (Figure 1).

AVERTISSEMENT : l'i-LIGHT n'est pas approprié pour les peaux noires ou très foncées. L'i-LIGHT n'est pas efficace sur les poils clairs ou gris et est moins efficace sur les poils blonds et roux.

Destiné à un usage facial : Conçu exclusivement pour traiter les poils faciaux féminins sur les joues, les favoris, le menton, les zones du cou et sur la lèvre supérieure (Figure 2).

NE PAS utiliser sur les yeux, les sourcils ou les cils. Cela pourrait provoquer des lésions oculaires graves et permanentes.

Type de peau

- 1 Ne pas utiliser sur une peau naturellement foncée, étant donné que cela peut provoquer des brûlures, des cloques et des modifications de la couleur de peau.
- 2 Ne pas utiliser sur une peau bronzée ou après une exposition récente au soleil, étant donné que cela peut provoquer des brûlures ou des lésions de la peau.
- 3 Le dispositif i-LIGHT n'est pas efficace sur les poils du corps ou du visage qui sont naturellement blancs, gris, blonds ou roux.

Zones qui ne doivent pas être traitées :

- Ne pas utiliser sur le cuir chevelu ou sur les oreilles.
- Ne pas utiliser sur le visage ou le cou masculin.

FRANÇAIS

- Ne pas utiliser au-dessus du niveau des pommettes (féminin).
- Ne pas utiliser sur les tétons, l'aréole ou les organes génitaux.
- Ne pas utiliser sur une zone qui présente un tatouage ou un maquillage permanent.
- Ne pas utiliser sur des taches de couleur marron foncé ou noire comme les grains de beauté, les marques de naissance ou les taches de rousseur.
- Ne pas utiliser sur une zone qui a été soumise récemment à une intervention chirurgicale, à un peeling en profondeur, à un traitement au laser, sur une zone qui présente des cicatrices ou sur une peau qui a subi des brûlures ou des échaudures.

Quand ne pas utiliser / Quand éviter d'utiliser l'i-LIGHT

- NE PAS utiliser l'appareil si votre peau est bronzée dans la zone que vous souhaitez traiter, étant donné que votre peau peut être trop foncée et le traitement des zones de peau bronzées pourrait causer temporairement le gonflement de la peau, des cloques ou pourrait changer la couleur de votre peau. Attendez que votre bronzage se soit estompé avant de traiter la zone.
- NE PAS utiliser l'appareil sur la peau traitée avec des produits cosmétiques, étant donné que le traitement de ces zones pourrait causer temporairement le gonflement de la peau, des cloques ou pourrait changer la couleur de votre peau. Assurez-vous de bien nettoyer la zone de traitement prévue avant l'utilisation.
- VEILLER À NE PAS flasher plusieurs fois sur la même zone de traitement pendant une même session, étant donné que cela pourrait provoquer temporairement le gonflement de la peau, des cloques ou pourrait changer la couleur de votre peau.
- VEILLER À NE PAS traiter une zone plus d'une fois par semaine. Cela ne va pas accélérer les résultats, mais cela pourrait augmenter la probabilité de gonflement de la peau, de l'apparition de cloques ou d'une altération de la couleur de votre peau.
- NE PAS utiliser sur une peau endommagée, notamment sur les plaies ouvertes, les boutons de fièvre, les coups de soleil ou sur les zones où la peau s'est desquamée ou a été sujette à tout autre processus de resurfaçage dans les 6 à 8 dernières semaines.
- NE PAS utiliser sur une peau irritée, notamment sur les éruptions cutanées ou sur une peau gonflée. Ces affections peuvent rendre la peau plus sensible. Attendez la guérison de la zone affectée avant d'utiliser l'appareil.
- NE PAS utiliser si votre peau est sensible à la lumière. Afin de déterminer si vous pouvez utiliser l'i-LIGHT, effectuez un test sur un petit morceau de peau et attendez 24 heures pour vérifier l'apparition d'éventuelles réactions indésirables avant de passer à un traitement généralisé.
- NE PAS utiliser l'appareil si vous êtes ou pourriez être enceinte ou si vous allaitez. L'i-LIGHT n'a pas été testé sur les femmes enceintes. Les changements hormonaux sont fréquents pendant la grossesse ou l'allaitement maternel et pourraient augmenter la sensibilité de la peau et le risque de lésions cutanées.
- VEILLER À NE PAS FLASHER l'appareil sur toute matière autre que la peau.
- NE PAS utiliser i-LIGHT à des fins autres que l'épilation.
- NE PAS traiter une zone où vous pourriez souhaiter un jour que vos poils repoussent. Les résultats peuvent être permanents et irréversibles.
- Ne pas utiliser sur le visage si vous avez des antécédents d'herpès labial. L'utilisation de la technologie IPL ou de tout autre traitement qui irrite la peau peut causer une récurrence de l'herpès labial.
- Si vous avez suivi des traitements professionnels, cliniques ou auto-administrés d'épilation par laser, IPL (lumière intense pulsée) ou électrolyse, attendez au moins 6 mois avant d'utiliser l'i-LIGHT. Si vous avez épilé la zone de traitement avec de la cire, une pince à épiler ou des produits d'épilation, attendez au moins 6 semaines avant d'utiliser l'i-LIGHT. Le dispositif utilise les poils situés sous la peau pour neutraliser vos poils à la racine et n'est donc pas efficace si le poil a été arraché.
- Ne pas utiliser sur ou à proximité de tout élément artificiel comme les implants en silicone, les implants contraceptifs Implanon, les stimulateurs cardiaques, les points d'injection sous-cutanée (diffuseur d'insuline) ou les piercings.
- Bien qu'aucun problème lié à l'utilisation de cet appareil n'ait été signalé pendant les études, il est recommandé de respecter tous les avertissements sur les dispositifs médicaux implantables actifs concernant l'utilisation d'appareils électroniques afin d'éviter toute défaillance ou interruption d'un implant actif.
- Les équipements de communication sans fil peuvent affecter le dispositif i-LIGHT et doivent être maintenus à une distance d'au moins 3,3 m.
- Ne pas utiliser sur ou à côté d'amalgames dentaires, d'implants dentaires ou d'appareils dentaires.

PRINCIPALES CARACTERISTIQUES (FIGURE 3)

- | | |
|----------------------------------------|-------------------------------------------|
| 1. Interrupteur d'alimentation | 10. Cordon du combiné |
| 2. Prise électrique | 11. Écran flash |
| 3. Bloc d'alimentation | 12. Capteurs de contact avec la peau |
| 4. Combiné | 13. Tête de traitement corps |
| 5. ✦ Mode Haute puissance touche flash | 14. Tête de traitement visage |
| 6. ✂ Mode Sensible touche flash | 15. Câble d'alimentation |
| 7. ⚡ Mode Express touche flash | 16. Tête de traitement facial |
| 8. Témoins lumineux LED | 17. Pochette de rangement (non illustrée) |
| 9. Capteur de tonalité de la peau | |

FR

POUR COMMENCER

Dépliez les pages recto et verso de ce manuel d'instruction de façon à ce que vous puissiez consulter les schémas tout en lisant les instructions.

Faites preuve de patience lors de la première utilisation de votre appareil i-LIGHT car comme tout nouveau produit, il vous faudra un peu de temps pour vous y habituer. Prenez le temps de vous familiariser avec votre i-LIGHT, car nous sommes convaincus que vous aurez plaisir à l'utiliser pendant de nombreuses années à votre entière satisfaction.

DÉCOUVRIR L'i-LIGHT

Qu'est-ce que l'i-LIGHT?

Le système i-LIGHT est un appareil révolutionnaire qui utilise la lumière pulsée et qui est conçu pour l'épilation à domicile des poils indésirables du corps et des poils faciaux féminins.

i-LIGHT utilise une technologie cliniquement testée similaire à celle utilisée par les dermatologues et les instituts, optimisée pour une utilisation personnelle.

En quoi consiste la lumière intense pulsée (IPL - Intense Pulse Light) et comment fonctionne l'i-LIGHT ?

IPL - (Intense Pulsed Light) est une technologie bien établie utilisée dans le monde entier depuis plus de 15 ans.

L'i-LIGHT utilise cette technologie pour envoyer un flash sur votre peau avec une impulsion de lumière intense.

L'impulsion travaille sous la surface de la peau pour cibler les poils à la racine, en aidant à arrêter leur croissance. (Figure 4)

L'énergie de la lumière pulsée cible la coloration foncée, et les meilleurs résultats sont obtenus sur les poils plus foncés.

L'i-LIGHT est conçu pour être utilisé sur des tonalités de peau claires à moyennes (I-V).

À quoi faut-il s'attendre lors de l'utilisation de l'i-LIGHT

Les résultats ne sont pas immédiats et varient d'une personne à l'autre. La plupart des utilisateurs commencent à remarquer une réduction des poils dans un délai de 1-2 semaines après le début du traitement. Pendant ce temps, vous pourriez avoir l'impression que les poils continuent à pousser, mais en réalité ils sont « expulsés » (Figure 5).

Le cycle de croissance des poils comprend trois phases différentes qui s'étendent sur une durée de 18 à 24 mois (Figure 6). Seuls les poils en phase de croissance active sont sensibles au traitement et c'est la raison pour laquelle plusieurs traitements sont nécessaires pour obtenir des résultats optimaux.

Il est essentiel de faire le traitement complet et des traitements complémentaires pour s'assurer que chaque poil actif soit traité.

Régime de traitement

Un traitement complet correspond à une utilisation de l'appareil toutes les deux semaines à raison de trois traitements.

Les résultats peuvent varier d'une personne à l'autre et plusieurs traitements peuvent donc être nécessaires pour obtenir des résultats optimaux. Une croissance pileuse va se produire, mais avec des poils moins denses, plus fins et plus clairs que les poils d'origine. Cette repousse est parfaitement normale et vous devez vous y attendre. Après avoir achevé le régime de traitement complet, les traitements complémentaires réalisés une fois toutes les quatre semaines fourniront des résultats encore meilleurs. Un traitement régulier et continu toutes les quatre semaines donnera de bons résultats au bout de 8 à 12 semaines (cela peut prendre plus longtemps dans le cas des peaux plus foncées).

Veillez à ne pas réaliser de traitement plus d'une fois toutes les deux semaines. REMARQUE : Vous devez éviter de traiter une même zone plusieurs fois durant la même séance. Cela n'améliore en rien l'efficacité mais peut augmenter le risque d'irritation de la peau.

FRANÇAIS

DÉCOUVREZ VOTRE APPAREIL i-LIGHT

Écran flash avec filtre UV intégré (Figure 7)

AVERTISSEMENT : veuillez inspecter la fenêtre de flash avant chaque utilisation pour vérifier que les lentilles ne soient pas endommagées.

AVERTISSEMENT : veuillez nettoyer la fenêtre de flash avant chaque utilisation avec le chiffon non pelucheux fourni afin de garantir que les lentilles soient exemptes de toute trace d'huile ou de particules.

Capteur de contact avec la peau (Figure 8)

Ce mécanisme de sécurité empêche les flashes accidentels. L'appareil émettra un flash seulement si les deux capteurs de contact avec la peau sont entièrement en contact avec la peau.

Mode Puissant, Mode Sensible et Mode Express (Figure 9)

Les boutons des modes Puissant, Sensible et Express sont tous situés sur le combiné.

Détecteur de type de peau (Figure 10)

Ne permettra l'utilisation que sur les types de peau appropriés.

Accessoires :

Tête de traitement corps pour les zones de traitement larges en-dessous du cou (Figure 11).

Tête de traitement de précision pour les plus petites zones de traitement du visage féminin telles que les joues, les favoris, le menton, la zone du cou et la lèvre supérieure (Figure 12).

Déblochage de l'accessoire (Figure 13)

Saisissez la tête aux points indiqués et tirez fermement vers l'extérieur pour détacher la tête de traitement. Lorsque vous remettez la tête de traitement en place, des aimants vous aideront à l'aligner sur la position correcte.

PRÉPARATION POUR L'UTILISATION

PRÉPARER LA PEAU POUR LE TRAITEMENT

- Assurez-vous que la zone à traiter est propre et ne contient aucune trace d'huile, de déodorant, parfum, maquillage, ni de lotions et de crèmes. Rasez ou coupez les poils de la zone à traiter, et assurez-vous que la peau est propre et sèche.
- Pour une utilisation sur le visage, vous pouvez également tondre les poils. Si vous tondez les poils, assurez-vous de les couper à une longueur maximale de 0,5 mm.
- N'utilisez en aucun cas de la cire, des produits d'épilation, des pinces à épiler ou d'autres méthodes qui éliminent les poils à la racine étant donné que l'IPL n'est pas efficace si les poils ont été arrachés.

PRÉPARATION DE i-LIGHT POUR UTILISATION

- Branchez le cordon d'alimentation à la prise murale.

VÉRIFIEZ VOTRE TYPE DE PEAU

- Pour vérifier si la tonalité de votre peau est appropriée pour utiliser l'appareil, comparez votre peau dans les zones de traitement prévues avec le tableau des types de peau figurant au début de ce manuel (Figure 1).
- Si votre peau correspond aux tonalités de peau claires, moyennes ou légèrement foncées du tableau des types de peau (I-V), vous pouvez utiliser cet appareil i-LIGHT.
- Si votre peau dans la zone de traitement prévue correspond à la tonalité de peau la plus foncée du tableau des types de peau, ABSTENEZ-VOUS d'utiliser cet appareil (type de peau VI).
- Cet appareil i-LIGHT est équipé d'un DÉTECTEUR DE TYPE DE PEAU sur la tête de traitement qui est conçu pour vous aider à éviter de traiter par inadvertance une peau qui est trop foncée pour le traitement.
- Si votre peau est appropriée pour le traitement, l'i-LIGHT émettra un flash et les voyants LED situés sur le côté du combiné s'allumeront en blanc. Le nombre de témoins allumés indique votre type de peau.
- Si votre peau est trop foncée pour le traitement, l'appareil émettra un flash à faible énergie suivi de quatre bips sonores et un voyant LED rouge s'allumera sur le côté du combiné.
- Si vous pensez que votre peau est appropriée suivant le tableau des types de la peau (Figure 1), mais que l'appareil émet un flash suivi de quatre bips sonores, essayez une autre zone de traitement.

Testez le dispositif i-LIGHT sur votre peau

Testez le dispositif i-LIGHT sur une petite surface de peau et attendez 24 heures pour vous assurer qu'aucune réaction indésirable ne se produit.

1. Appuyez le combiné de l'i-LIGHT contre la peau de façon à ce que l'écran flash soit en contact avec la surface de la peau.
2. Veillez à ce que les capteurs de contact soient entièrement en contact avec la peau et à ce que les voyants LED soient allumés en blanc.
3. Sélectionnez le mode de votre choix et appuyez sur le bouton pour émettre un flash.
4. **ASTUCE** : une gêne légère voire modérée est normale. Vous pourriez commencer par utiliser le mode Sensible et ne passer au mode Puissant que lorsque vous vous sentez à l'aise.
5. Attendez 24 heures et examinez ensuite la zone de test. Si la peau semble normale, procédez à votre premier traitement complet au niveau d'intensité qui est approprié pour vous.

REMARQUE : Vous devez tester le dispositif sur chaque zone du visage ou du corps que vous souhaitez traiter.

SÉLECTION DU MODE DE FONCTIONNEMENT

- Le DÉTECTEUR DE TYPE DE PEAU situé sur la tête de traitement réglerà le niveau de puissance approprié au type de peau enregistré.
- Cet appareil i-LIGHT dispose de trois modes de fonctionnement différents : Mode Puissant (Pleine puissance), Mode Sensible et Mode Express. Quand vous allumez l'appareil, il est réglé sur le Mode Puissant. L'appareil flashe toutes les 3 secondes quand il est réglé sur le Mode Puissant et sur le Mode Sensible, et après moins d'une seconde quand il est réglé sur le Mode Express.

Le Mode Puissant ✨

Le Mode Puissant (Pleine puissance) fournit les plus hauts niveaux de puissance appropriés dans votre cas. Ce mode de fonctionnement est idéal pour le traitement des zones à la fois grandes et petites et vous permettra d'obtenir de meilleurs résultats. Le mode Puissant vous permet d'obtenir les meilleurs résultats d'épilation en moins de traitements, mais il peut être moins confortable.

Le Mode Sensible 🍃

Le Mode Sensible est un mode de fonctionnement moins puissant pour les personnes sensibles à la gêne, mais souhaitent tout de même éliminer les poils indésirables.

Si vous utilisez ce mode, il est possible que vous deviez réaliser quelques traitements de plus pour obtenir les résultats souhaités.

Le Mode Express ⚡

Le Mode Express offre à l'utilisateur une option de traitement intéressante en termes de temps.

Vous pourriez traiter des zones de plus grande taille en utilisant ce mode plus rapide, mais le traitement pourrait être moins efficace et vous pourriez devoir réaliser quelques séances supplémentaires pour obtenir les résultats souhaités.

REMARQUE : Quand vous allumez l'appareil, il se règle automatiquement sur le Mode Puissant (Pleine puissance).

- Si vous souhaitez sélectionner un autre mode de fonctionnement, appuyez sur le bouton correspondant pour l'allumer.
- Une fois le mode de fonctionnement approprié choisi, placez la fenêtre de traitement fermement contre votre peau.
- L'appareil est maintenant prêt à émettre le premier flash. Pour désactiver le Mode Sensible ou le Mode Express, appuyez simplement une nouvelle fois sur le bouton sélectionné et l'appareil reviendra au Mode Puissant et seul le bouton du Flash sera allumé.

TRAITEMENT**CHANGEMENT DES ACCESSOIRES**

- Votre appareil i-LIGHT est fourni avec deux têtes de traitement distinctes :
- La tête de traitement corps est destinée à être utilisée sur les zones larges du corps.
- La tête de traitement précision est destinée à être utilisée sur les zones plus petites comme les zones du visage, les aisselles ou le maillot.

FRANÇAIS

Pour changer les accessoires :

AVERTISSEMENT : assurez-vous dans tous les cas que l'appareil soit éteint (OFF) et que le cordon d'alimentation soit débranché avant de retirer la tête de traitement.

- Laisser l'appareil refroidir pendant 5 minutes avant de procéder au changement de la tête de traitement.
- 1. Réglez le bouton marche/arrêt sur la position OFF (Arrêt) et débranchez le câble d'alimentation de la prise électrique.
- 2. Tenez l'appareil avec une main tout en tirant délicatement sur la tête de traitement avec l'autre main (Figure 13).
REMARQUE : les têtes de traitement sont fixées magnétiquement sur l'appareil et devraient pouvoir se retirer facilement.
ASTUCE : rangez la tête de traitement inutilisée en un lieu sûr (par exemple, dans l'emballage) en prenant soin de ne pas endommager l'écran flash et les autres composants.
- 3. Poussez délicatement l'autre tête de traitement sur l'appareil en veillant à ce qu'elle s'enclenche à sa place.

Comment traiter :

1. Positionnez l'écran flash fermement contre la peau en veillant à ce que les capteurs de contact avec la peau soient totalement enfoncés. Si les capteurs de contact avec la peau sont entièrement en contact avec la peau, le bouton du flash sur l'appareil va émettre une lumière blanche et les voyants LED situés sur le côté du combiné vont s'éclairer pour indiquer que l'appareil est prêt à émettre un flash.
REMARQUE : si les capteurs de contact ne sont PAS entièrement en contact avec la peau, l'appareil ne fonctionnera pas si vous appuyez sur le bouton de flash et émettra un « bourdonnement ». Vérifiez une nouvelle fois que les capteurs de contact soient complètement en contact avec la peau.
2. Appuyez sur la touche flash pour émettre un flash. Vous devez vous attendre à voir un flash de lumière intense (semblable au flash d'un appareil photographique), et vous devriez sentir une légère sensation de chaleur.
3. Passez à la zone suivante et effectuez un schéma quadrillé afin d'assurer la couverture totale de la zone de traitement.
 - Pour le mode Flash simple, appuyez sur la touche de flash chaque fois que vous passez à la zone suivante.
 - Pour le mode Multi-flash, laissez votre doigt sur la touche de flash afin de la maintenir enfoncée et faites glisser l'appareil vers la zone suivante en veillant à ce que les capteurs de contact avec la peau soient parfaitement en contact avec la peau. Le prochain flash sera émis automatiquement après 3 secondes (en Mode Puissant).
 - En mode Multi-flash, si vous lâchez la touche de flash ou si vous perdez le contact avec la peau, il suffit, pour reprendre le traitement, de répéter les étapes ci-dessus.

Traitement facial (uniquement pour les femmes)

La pilosité faciale peut être très différente de la pilosité corporelle et la peau du visage a tendance à être sensible et est plus susceptible d'être exposée aux rayons du soleil. De ce fait, le traitement des poils indésirables du visage est différent du traitement appliqué aux zones corporelles. Assurez-vous de lire attentivement les avertissements et les consignes de sécurité avant d'entamer un traitement facial.

IMPORTANT : La tête de traitement précision a été spécialement conçue pour traiter les caractéristiques uniques des poils faciaux féminins. N'UTILISER EN AUCUN CAS la tête de traitement corps sur le visage. Veuillez consulter la section « Changement des accessoires » pour obtenir plus d'informations.

La tête de traitement de précision est conçue exclusivement pour traiter les poils du visage des femmes sur les joues, les favoris, le menton, la zone du cou et sur la lèvre supérieure. (Fig. 2)

NE PAS utiliser sur la barbe ou sur les poils faciaux chez les hommes, étant donné que les résultats peuvent être permanents ou inégaux. Cela peut produire des changements des caractéristiques faciales qui peuvent être indésirables.

CONSEILS DE TRAITEMENT

Traitement sur le corps

- Pour obtenir des résultats optimaux, évitez que les flashes ne se chevauchent. De cette façon, vous évitez d'exposer la peau à une quantité d'énergie supérieure à celle qui est nécessaire pour arrêter la croissance des poils. Cela vous garantit également une utilisation optimale de l'ampoule.
- Pour obtenir des résultats optimaux, utilisez toujours le niveau d'intensité le plus élevé qui ne provoque pas de gêne sur la peau. Le niveau d'intensité utilisé doit produire une sensation de chaleur sur la peau, mais ne doit en aucun cas provoquer une gêne.

- Il est possible que vous remarquiez une plus grande sensibilité au niveau des zones osseuses, comme les coudes, les tibias et les chevilles, au cours du traitement. Cela est normal et ne doit pas être un motif d'inquiétude. Pour éviter cette sensibilité, essayez d'étirer la peau de la zone osseuse pendant le traitement.

Traitement facial

- Effectuez un test sur une petite surface de peau. La peau du visage a tendance à être plus sensible, veillez donc à réaliser un test sur une petite surface de peau avant de commencer le traitement. Reportez-vous à la section « Testez le dispositif i-LIGHT sur votre peau » pour plus de détails.
- Utilisez un miroir pour guider vos traitements. L'utilisation d'un miroir vous permet d'obtenir une bonne vue de la zone à traiter et vous aide à éviter de traiter les lèvres ou les taches sombres. Si la lumière réfléchie est désagréable, vous pouvez fermer les yeux avant chaque flash.
- Étirez la peau pour assurer un meilleur contact avec la peau. En raison de la forme des contours de la peau, à certains endroits, il peut être difficile que les capteurs de contact soient totalement en contact avec la peau. Ce contact avec la peau peut être facilité si vous essayez de couvrir vos dents avec votre lèvre supérieure ou si vous utilisez votre langue pour étirer vos joues et favoriser ainsi un meilleur contact avec la peau.

FR

SOINS POST-TRAITEMENT

Après le traitement, il est possible que vous expérimentiez une sensation de chaleur sur la peau ou que celle-ci présente une légère rougeur. C'est un phénomène normal qui disparaîtra rapidement. Pour éviter toute irritation de la peau après un traitement, prenez les précautions suivantes :

- Évitez toute exposition au soleil dans les 24 heures qui suivent un traitement. Protégez la peau avec un indice de protection solaire (SPF) de niveau 30 pendant 2 semaines après chaque traitement.
- Évitez toute exposition au soleil prolongée, comme un bain de soleil, l'utilisation d'un banc de bronzage ou d'un auto-bronzant pendant au moins 2 semaines après le dernier traitement.
- Après le traitement, veillez à maintenir la zone propre et sèche maintenir votre peau hydratée.
- Veillez à ne pas prendre un bain, une douche ni à utiliser des saunas ou des bains de vapeur tant que toute rougeur ou sensibilité de la peau n'a pas disparu.
- N'épilez pas la zone (épilation à la cire, avec des pinces à épiler, épilation au fil ou épilation avec des crèmes dépilatoires) pendant le traitement. Le rasage est acceptable à condition que vous évitiez tout rasage dans les 24 heures suivant chaque traitement.
- N'utilisez pas des crèmes de décoloration ni des produits parfumés dans les 24 heures qui suivent un traitement.

AMPOULE FLASH 300 000

- L'ampoule va produire 300 000 flashes tout au long de sa durée de vie
- L'ampoule utilisée dans cet appareil est conçue pour durer pendant toute la période de garantie conformément aux indications figurant sur la carte de garantie fournie avec ce produit.
- Quand l'ampoule atteint 99% de sa durée de vie possible, un des voyants LED situés sur le côté du combiné va s'allumer en rouge lorsque vous mettez l'appareil sous tension.
- Lorsque la durée de vie de l'ampoule est épuisée, vous ne serez plus en mesure d'utiliser l'appareil.

NETTOYAGE DE VOTRE APPAREIL i-LIGHT

◆ PRÉCAUTION : Avant de nettoyer votre i-LIGHT, assurez-vous que l'appareil est sur la position OFF (Arrêt) et que le câble de chargement n'est pas branché au dispositif.

Un nettoyage régulier permet de garantir des résultats optimaux et une longue durée de vie de votre appareil.

- Pour nettoyer l'écran du flash, utilisez uniquement le chiffon non pelucheux fourni avec votre appareil i-LIGHT. Veillez à ne pas rayer ni ébrécher la fenêtre du flash. Les rayures et ébréchures peuvent réduire l'efficacité de l'appareil.
- Pour les taches tenaces sur l'écran du flash, humidifiez un coton-tige avec de l'alcool chirurgical ou de l'alcool à friction, appliquez-le sur l'écran du flash et nettoyez délicatement avec le chiffon non pelucheux fourni.
 - ◆ **AVERTISSEMENT** : Si l'écran du flash est fêlé ou brisé, l'appareil ne doit pas être utilisé. Veillez à ne pas rayer la vitre du filtre ou la surface métallique à l'intérieur de la tête de traitement.

FRANÇAIS

◆ **PRÉCAUTION** : L'i-LIGHT est un appareil à haute tension. Ne le plongez en aucun cas dans l'eau. Ne nettoyez en aucun cas l'appareil ou l'une de ses composantes sous un robinet ou dans un lave-vaisselle.

Rangement

Éteignez l'appareil, débranchez-le et laissez-le refroidir pendant 10 minutes avant de le ranger.

DEPANNAGE

- Veillez à toujours lire ces instructions intégralement avant d'utiliser l'i-LIGHT.
- Consultez ce guide de dépannage si vous expérimentez l'un ou l'autre problème avec l'i-LIGHT. Cette section traite les problèmes les plus courants que vous pourriez rencontrer avec votre appareil i-LIGHT. Si vous avez suivi les instructions de cette section et que les problèmes persistent, veuillez contacter le service consommateurs Remington® pour obtenir de l'aide.

L'interrupteur d'alimentation est sur la position ON (Marche), mais l'appareil ne fonctionne pas.

- Assurez-vous que l'appareil soit branché à une prise électrique qui fonctionne.
- Essayez d'utiliser l'appareil en le branchant à une autre prise.

L'appareil présente des fêlures ou est cassé.

- N'utilisez pas l'appareil s'il est endommagé. Si vous avez des préoccupations au sujet de l'utilisation de l'appareil, cessez de l'utiliser et contactez le service consommateurs de Remington® pour obtenir de l'aide.

J'ai mis l'appareil en marche (ON), mais je ne parviens pas à changer le mode de fonctionnement

- Essayez de réinitialiser l'appareil en l'éteignant et en attendant quelques secondes avant de le rallumer.

Il y a une odeur étrange.

- Assurez-vous que la zone soit complètement rasée avant le traitement.

Les zones traitées rougissent après le traitement.

- C'est un phénomène normal et la rougeur devrait disparaître. Sinon, essayez de passer au mode Sensible.
- REMARQUE : Si l'appareil i-LIGHT s'échauffe excessivement, il va passer en mode de veille. En mode de veille, les 5 voyants LED situés sur le côté du combiné commenceront à s'allumer les uns après les autres. Attendez quelques minutes pour que le combiné refroidisse. Il n'est pas nécessaire d'éteindre l'appareil. Les voyants LED s'éteindront lorsque l'appareil sera à nouveau prêt à être utilisé.

FOIRE AUX QUESTIONS

- Pour une liste complète des FAQ, veuillez consulter (www.remington-ilight.com)

Q. Quelles zones du corps peuvent être traitées avec i-LIGHT ?

R. i-LIGHT est conçu pour un usage unisexe sur les zones situées en dessous du cou, y compris les jambes, les aisselles, le maillot, les bras, la poitrine et le dos. Les femmes peuvent également utiliser cet appareil pour traiter les poils du visage en dessous des pommettes.

Q. Quels sont les risques liés à i-LIGHT ? Cet appareil peut-il être utilisé en toute sécurité ?

R. L'i-LIGHT peut être utilisé de manière efficace et en toute sécurité, mais comme pour tout appareil électronique, il est important de lire et de respecter les instructions d'utilisation et les consignes de sécurité.

Q. i-LIGHT est-il dangereux pour la peau après une utilisation à long terme ?

R. Aucun effet secondaire ou lésion de la peau n'a été signalé après une utilisation à long terme de la lumière intense pulsée (IPL).

Q. Pourquoi mes poils poussent-ils malgré les traitements ?

R. Les résultats ne sont pas immédiats et varient d'une personne à l'autre. La plupart des utilisateurs commencent à remarquer une réduction des poils dans un délai de 1-2 semaines après le début du traitement. Pendant ce temps, vous pourriez avoir l'impression que les poils continuent à se développer, mais en réalité ils sont "expulsés".

Le cycle de croissance des poils comprend trois phases différentes qui s'étendent sur une durée de 18 à 24 mois. Seuls les poils en phase de croissance active sont sensibles au traitement et c'est la raison pour laquelle plusieurs traitements successifs sont nécessaires pour obtenir un résultat optimal.

Le fait que la zone ait pu être manquée pendant le traitement est une des autres raisons qui expliquent la croissance continue des poils. Répétez le régime de traitement lorsque vous constatez que les poils repoussent.

- Q. Pourquoi ne puis-je pas utiliser i-LIGHT après une exposition récente au soleil ?
- R. L'exposition au soleil entraîne des niveaux élevés de mélanine, ce qui expose la peau à un risque accru de brûlures ou de cloques à la suite d'un traitement.
- Q. Dois-je me protéger les yeux pendant que j'utilise i-LIGHT ?
- R. Non, l'appareil n'est pas nocif pour les yeux. i-LIGHT comporte un système de sécurité qui empêche les flashes accidentels lorsque l'appareil n'est pas en contact avec la peau. La petite quantité de lumière émise pendant le traitement est similaire à celle du flash d'un appareil photo et n'est pas nocive pour les yeux. Les Têtes de traitement spécialement conçues minimisent la perte de lumière. Si la lumière réfléchie est désagréable, vous pouvez fermer les yeux avant chaque flash.

FR

RECYCLAGE



Afin d'éviter les problèmes occasionnés à l'environnement et à la santé par des substances dangereuses, les appareils et les batteries rechargeables et non rechargeables présentant l'un de ces symboles ne doivent pas être éliminés avec les déchets municipaux non triés. Éliminez dans tous les cas les produits électriques et électroniques et, le cas échéant, les batteries rechargeables et non rechargeables, dans un centre officiel et approprié de collecte/recyclage.

ESPAÑOL

Gracias por comprar nuestro nuevo producto Remington®. Lea detenidamente las instrucciones y guárdelas en un lugar seguro. Retire todo el embalaje antes de usar el producto.

ADVERTENCIAS IMPORTANTES

- Las personas menores de 18 años o con alguna discapacidad física, sensorial o mental o falta de experiencia y conocimientos solo podrán utilizar este aparato si han recibido las instrucciones apropiadas, son supervisados y comprenden los riesgos que conlleva su uso. Los niños no deben jugar con el aparato. Las personas menores de 18 años no deben llevar a cabo la limpieza ni el mantenimiento del aparato.
- Mantenga el aparato y el cable fuera del alcance de niños menores de 8 años.
- No use el producto con un cable dañado. Puede obtenerse un recambio a través de nuestro Servicio de Asistencia Técnica internacional.
- ⊘ El cuerpo de este aparato no es lavable ni resistente al agua. No sumerja el aparato en líquidos, ni lo utilice cerca del agua en la bañera, el lavabo u otro recipiente; y no lo utilice al aire libre.
- Este dispositivo emite radiación óptica potencialmente perjudicial. No mire directamente a la fuente de luz para evitar daños en los ojos.
- Utilice este aparato únicamente para su finalidad prevista según lo indicado en este manual.
- No use el aparato si está dañado o funciona mal.
- No deje el aparato sin vigilancia mientras esté enchufado.
- Mantenga el enchufe y el cable de alimentación alejados de superficies calientes.
- No utilice accesorios no suministrados por Remington.
- No retuerza ni enrolle el cable, tampoco alrededor del aparato.
- No enchufe ni desenchufe el aparato con las manos húmedas.
- Este aparato no es para uso comercial ni para peluquerías.

Antes de comenzar a usar i-LIGHT:

Asegúrese de haber leído todas las advertencias e información de seguridad.

Consulte la tabla de tipos de piel y de vello, que encontrará al comienzo de este manual, y el sensor de la piel integrado para determinar si este aparato es adecuado para usted (Fig 1).

ADVERTENCIA: i-LIGHT no es apropiado para pieles muy oscuras o negras. i-LIGHT no actúa sobre el vello gris o de color claro y es menos efectivo en vello rubio y pelirrojo.

Uso facial: adecuado solo para el vello facial femenino de mejillas, patillas, barbilla, cuello y labio superior (fig. 2).

NO utilice el aparato en ojos, cejas o pestañas. Su uso en dichas zonas podría provocar daños oculares graves y permanentes.

Tabla de tonos de piel

- No lo utilice en piel naturalmente oscura, puesto que puede causar quemaduras, ampollas y cambios en el color de la piel.
- No lo utilice en piel bronceada o tras una reciente exposición al sol, ya que puede causar quemaduras o lesiones en la piel.
- i-LIGHT no es efectivo en vello corporal o facial de color blanco, gris, rubio o pelirrojo natural.

Zonas que no se deben tratar:

- No utilice el aparato en el cuero cabelludo ni en las orejas
- No utilice el aparato en el rostro ni en el cuello masculino.
- No utilice el aparato por encima de las mejillas (femenino).
- No utilice el aparato en los pezones, la areola ni en los genitales.
- No utilice el aparato si tiene tatuajes o maquillaje permanente en la zona que quiera tratar.
- No utilice el aparato en puntos de color marrón oscuro o negro, como lunares, marcas de nacimiento o pecas.
- No utilice el aparato en zonas de la piel sometidas recientemente a cirugía o tratamiento superficial de láser o a exfoliación profunda, que tengan cicatrices o que hayan sido quemadas o escaldadas.

Cuándo no usar y cuándo evitar el uso de i-LIGHT

- NO utilice el aparato si la piel de la zona que va a tratar está bronceada. Al estar la piel demasiado morena, el tratamiento en estas zonas puede causar inflamaciones o ampollas temporales o cambios en la pigmentación de la piel. No comience el tratamiento hasta que el bronceado haya desaparecido.
- NO utilice el aparato en zonas en las que haya aplicado cosméticos. El tratamiento en estas zonas puede causar inflamaciones o ampollas temporales o cambios en la pigmentación de la piel. Asegúrese de que la zona que va a tratar está completamente limpia antes de aplicar el aparato sobre ella.
- NO aplique destellos en el mismo punto de tratamiento varias veces durante la misma sesión; podría causar inflamaciones o ampollas temporales o provocar cambios en la pigmentación de la piel.
- NO trate ninguna zona más de una vez por semana: en vez de acelerar los resultados, podría aumentar la probabilidad de sufrir inflamaciones, ampollas o cambios en la pigmentación de la piel.
- NO utilice el aparato si la piel presenta daños, como heridas abiertas, úlceras, quemaduras por el sol, ni en zonas sometidas a exfoliación o a tratamientos de rejuvenecimiento cutáneo en las últimas 6-8 semanas.
- NO utilice el aparato si la piel presenta irritaciones, como sarpullidos o hinchazones, que pueden hacerla más sensible. Espere a que la zona afectada se cure antes de usar el aparato.
- No utilice el aparato si su piel es sensible a la luz. Para saber si puede utilizar i-LIGHT, haga una prueba en una zona reducida y espere 24 horas para comprobar si se producen reacciones adversas antes de tratar zonas más amplias.
- NO utilice el aparato si está embarazada o en periodo de lactancia. i-LIGHT no ha sido probado en mujeres embarazadas. Durante el embarazo y el periodo de lactancia se producen habitualmente cambios hormonales que pueden aumentar la sensibilidad de la piel y el riesgo de lesiones cutáneas.
- NO dirija los destellos a ningún otro material que no sea la piel.
- NO utilice i-LIGHT para otros fines que no sean la eliminación del vello.
- NO utilice el aparato en zonas en las que en el futuro quizás quiera que el vello vuelva a crecer. Los resultados del tratamiento pueden ser permanentes e irreversibles.
- No utilice el aparato en el rostro si tiene antecedentes de herpes labiales; el uso de IPL o de cualquier tratamiento que irrite la piel puede causar la reaparición de herpes labiales.
- Espere un mínimo de 6 meses antes de utilizar i-LIGHT si se ha sometido a tratamientos profesionales, clínicos o administrados por usted mismo de eliminación del vello mediante láser, IPL o electrólisis. Espere un mínimo de 6 semanas antes de utilizar i-LIGHT si ha depilado la zona que desea tratar con cera u otros métodos. El dispositivo utiliza el vello subcutáneo para atacar el vello en su raíz, por lo que no es efectivo si este ya ha sido eliminado.
- No utilice el aparato por encima ni cerca de productos artificiales, como implantes de silicona, implantes anticonceptivos de Implanon, marcapasos, puertos de inyección subcutáneos (dispensador de insulina) o piercings.
- Aunque en los estudios no se han observado problemas asociados con el uso de estos implantes, se recomienda seguir todas las advertencias sobre productos sanitarios activos relativas al uso de dispositivos electrónicos a fin de prevenir cualquier fallo o interrupción en su funcionamiento.
- Los sistemas de comunicación inalámbrica deben mantenerse a una distancia de al menos 3,3 metros del dispositivo i-LIGHT, ya que pueden afectar a su funcionamiento.
- No lo utilices sobre empastes, implantes u ortodoncias dentales ni cerca de ellos.

CARACTERÍSTICAS PRINCIPALES(FIG 3)

- | | |
|-------------------------------------|---------------------------------------|
| 1. Interruptor de corriente | 12. Sensores de contacto con la piel |
| 2. Toma de corriente | 13. Cabezal de tratamiento corporal |
| 3. Cargador | 14. Cabezal de tratamiento facial |
| 4. Mango | 15. Cable de corriente |
| 5. ✦ Modo intenso botón de disparo | 16. Paño sin pelusa |
| 6. ✎ Modo sensible botón de disparo | 17. Estuche (no aparece en la imagen) |
| 7. ⚡ Modo rápido botón de disparo | |
| 8. Indicadores LED | |
| 9. Sensor del tono de piel | |
| 10. Cable del mango | |
| 11. Pantalla de disparo | |

ESPAÑOL

CÓMO EMPEZAR

Despliegue la portada y la contraportada del manual de instrucciones para poder consultar los diagramas mientras lee. Tenga paciencia al empezar a usar i-LIGHT. Como con cualquier producto nuevo, le llevará un tiempo familiarizarse con él. Tómese el tiempo necesario para conocer su producto i-LIGHT; estamos seguros de que quedará totalmente satisfecho y lo disfrutará durante muchos años.

FAMILIARÍCESE CON i-LIGHT

¿Qué es i-LIGHT?

El sistema i-LIGHT es un dispositivo revolucionario que emplea tecnología de luz y está concebido para la eliminación del vello corporal no deseado y el vello facial de la mujer.

i-LIGHT utiliza tecnología clínicamente probada similar a la empleada por institutos de belleza y dermatólogos profesionales, optimizada para el tratamiento personal.

¿Qué es la luz pulsada intensa (IPL) y cómo funciona i-LIGHT?

IPL (luz pulsada intensa) es una tecnología cuyo uso se ha consolidado en todo el mundo desde hace más de 15 años. i-LIGHT emplea esta tecnología aplicando a la piel destellos de luz pulsada intensa.

La pulsación de luz actúa bajo la superficie de la piel, dirigiéndose a la raíz del vello e impidiendo su crecimiento (fig. 4).

La energía de la pulsación de luz va dirigida a la coloración oscura, por lo que los resultados son más visibles con vello oscuro. i-LIGHT está indicado para tonos de piel claros, medios y oscuros (tonos de piel I-V).

¿Qué puede esperar de i-LIGHT?

Aunque los resultados no son inmediatos y varían de un caso a otro, la mayoría de los usuarios comienzan a notar que el vello disminuye entre 1 y 2 semanas después de iniciar el tratamiento. Durante este periodo puede dar la impresión de que el vello sigue creciendo, pero en realidad lo que ocurre es que el tratamiento lo está «sacando fuera» (fig. 5).

El vello crece siguiendo un ciclo de 3 fases diferentes que dura de 18 a 24 meses (fig. 6). Solo el vello en fase anágena puede recibir tratamiento, lo que explica que se requiera repetir el tratamiento varias veces para obtener resultados óptimos. Es importante continuar con el régimen de tratamiento completo y los tratamientos de mantenimiento para garantizar que se trate cada pelo activo.

Régimen de tratamiento

El régimen de tratamiento completo es de tres sesiones, una cada dos semanas. Los resultados varían en cada caso, por lo que puede ser necesario aplicar varios tratamientos para obtener resultados óptimos. Parte del vello crecerá menos denso, más fino y de color más claro que el vello original. Este crecimiento es perfectamente normal y hay que contar con él. Después de finalizar el régimen de tratamiento completo, realizar tratamientos de mantenimiento una vez cada cuatro semanas producirán resultados aún mejores. La realización continuada de un tratamiento cada cuatro semanas producirá buenos resultados en un plazo de entre 8 y 12 semanas (los tonos de piel más oscuros pueden precisar más tiempo). No utilice el aparato más de una vez cada dos semanas. NOTA: evite tratar la misma zona varias veces en una sesión: no solo no hará el tratamiento más eficaz, sino que aumentará el riesgo de irritación de la piel.

FAMILIARÍCESE CON SU DISPOSITIVO i-LIGHT

Pantalla de disparo con filtro UV integrado (fig. 7)

ADVERTENCIA: examine siempre la pantalla de disparo antes del uso para asegurarse de que la lente no está dañada.

ADVERTENCIA: limpie siempre la pantalla de disparo antes del uso con el paño sin pelusa suministrado para asegurarse de que no hay aceite ni residuos en la lente.

Sensor de contacto con la piel (fig. 8)

Este mecanismo de seguridad impide que el dispositivo se active accidentalmente. El dispositivo no se activará a menos que ambos sensores de contacto con la piel estén completamente en contacto con ella.

Modo intenso, modo sensible y modo rápido (fig. 9)

Los botones del modo intenso, modo sensible y modo rápido están situados en el mango.

Sensor de tono de piel (fig. 10)

Permitirá el uso únicamente en tonos de piel adecuados.

Accesorios:

Cabezal de tratamiento corporal para tratar zonas amplias por debajo del cuello (fig. 11).

Cabezal de tratamiento de precisión para tratar el vello facial femenino en zonas más reducidas, tales como mejillas, patillas, barbilla, cuello y labio superior (fig. 12).

Extracción de los accesorios (fig. 13)

Sujete el cabezal de tratamiento en los puntos indicados y tire firmemente para extraerlo. Cuando intercambie los cabezales, los imanes le ayudarán a colocar el nuevo cabezal en la posición correcta.

PREPARACIÓN PARA EL USO

ES

PREPARE LA PIEL PARA EL TRATAMIENTO

- Asegúrese de que la zona que desea tratar está limpia y no presenta restos de aceites, desodorantes, perfumes, maquillaje, lociones o cremas. Afeite o recorte el vello de la zona a la que va a aplicar el tratamiento y compruebe que la piel está limpia y seca.
- Para usar el dispositivo en el vello facial, es preferible recortarlo antes. Si va a recortar el vello, este deberá quedar a menos de 0,5 mm de la superficie de la piel.
- No utilice cera, máquinas depiladoras, pinzas u otros métodos que extraigan el vello de la raíz, ya que la IPL pierde su eficacia cuando el vello ha sido arrancado.

PREPARE EL DISPOSITIVO i-LIGHT PARA EL TRATAMIENTO

- Conecte el cable de corriente al enchufe de la pared.

COMPRUEBE SU TONO DE PIEL

- Para determinar si el aparato es compatible con su tono de piel, compare la piel de la zona que desea tratar con la tabla de tonos de piel que figura al principio de este manual (fig. 1).
- Si su piel coincide con el tono claro, medio u oscuro de la tabla de tonos de piel (tonos I-V), puede usar el dispositivo i-LIGHT.
- Si la piel de las zonas que desea tratar coincide con el tono más oscuro de la tabla de tonos de piel, NO utilice el aparato (tono VI).
- i-LIGHT incorpora en el cabezal de tratamiento un SENSOR DE TONO DE PIEL diseñado para prevenir la emisión de destellos involuntarios sobre piel demasiado oscura para el tratamiento.
- Si su piel es compatible con el tratamiento, i-LIGHT emitirá un destello y los LED en el lateral del mango se iluminarán con luz blanca. El número de luces iluminadas indicará su tono de piel.
- Si su piel es demasiado oscura para recibir el tratamiento, se producirá un destello débil seguido de cuatro pitidos y un LED en el lateral del mango se iluminará con luz roja.
- Si, basándose en la Tabla de tonos de piel (fig. 2), considera que su piel puede recibir el tratamiento pero el aparato destella y emite cuatro pitidos, pruebe de nuevo en otra zona.

PRUEBE EL DISPOSITIVO i-LIGHT EN SU PIEL

Pruebe el dispositivo i-LIGHT en una zona pequeña de la piel y espere 24 horas para asegurarse de que no se producen reacciones adversas.

1. Coloque el mango del dispositivo i-LIGHT contra la piel de forma que la pantalla de disparo esté alineada con la superficie de la piel.
2. Asegúrese de que los sensores de contacto con la piel están bien situados y de que las luces LED se iluminan con luz blanca.
3. Seleccione el modo que desee y pulse el botón para aplicar un destello.
CONSEJO: Es normal sentir molestias leves o moderadas, por lo que puede empezar utilizando el modo sensible y pasar al modo intenso cuando se sienta más cómoda.
4. Pasadas 24 horas compruebe la zona en la que probó el dispositivo. Si la piel tiene un aspecto normal, continúe con su primer tratamiento completo en el nivel de intensidad que considere que es adecuado para usted.
NOTA: debe probar el dispositivo en cada zona de la cara o el cuerpo que desee tratar.

SELECCIÓN DEL MODO DE FUNCIONAMIENTO

- El SENSOR DE TONO DE PIEL integrado en el cabezal de tratamiento define la potencia adecuada para cada configuración, dependiendo del tono de piel registrado.

ESPAÑOL

- El dispositivo i-LIGHT tiene 3 modos de funcionamiento: modo intenso (máxima potencia), modo sensible y modo rápido. Al encenderlo, el aparato funcionará en modo intenso. Emitirá destellos aproximadamente cada 3 segundos en modo intenso y modo sensible y en menos de 1 segundo en modo rápido.

El modo intenso

El modo intenso (máxima potencia) proporcionará el nivel de potencia más alto adecuado para usted. Este modo es ideal para tratar zonas tanto amplias como pequeñas y permite obtener mejores resultados. El modo intenso le ayudará a eliminar más vello en menos tratamientos, pero puede resultar más incómodo.

El modo sensible

El modo sensible se recomienda a aquellas mujeres que encuentren el modo intenso demasiado potente. El modo sensible es una opción para aquellas mujeres con un umbral de dolor más bajo, pero que también quieren eliminar el vello no deseado. Utilizando este modo serán necesarios algunos tratamientos más para obtener los resultados deseados.

El modo rápido

El modo rápido permite realizar tratamientos en un tiempo menor. Este modo permite tratar zonas más amplias con más rapidez, pero puede ser menos efectivo y serán necesarios algunos tratamientos más para obtener los resultados deseados.

NOTA: Siempre que encienda el aparato, el modo de funcionamiento por defecto será el modo intenso (máxima potencia).

- Si desea seleccionar un modo alternativo, pulse el botón correspondiente para que se ilumine.
- Cuando haya decidido y seleccionado el modo de funcionamiento más adecuado para usted, coloque la pantalla de disparo en contacto firme con la piel.
- El aparato ya está listo para emitir el primer destello. Para quitar el modo sensible o rápido basta con pulsar de nuevo el botón correspondiente; el aparato volverá así al modo intenso y solo se iluminará el botón de disparo.

TRATAMIENTO

CAMBIO DE LOS ACCESORIOS

- Su i-LIGHT incorpora dos cabezales de tratamiento distintos:
- El cabezal de tratamiento corporal, concebido para zonas amplias de vello corporal.
- El cabezal de tratamiento de precisión, concebido para zonas pequeñas de vello facial femenino, axilas e ingles.

Para cambiar los accesorios:

ADVERTENCIA: compruebe siempre que el aparato está APAGADO y el cable de alimentación desenchufado antes de retirar el cabezal de tratamiento.

- Deje que el sistema se enfríe durante 5 minutos antes de intercambiar los cabezales de tratamiento
- 1. Ponga el interruptor de corriente en posición de apagado y desenchufe el cable de corriente de la toma de red.
- 2. Sujete el accesorio con una mano mientras tira suavemente del cabezal de tratamiento (fig. 13) con la otra.
NOTA: los cabezales de tratamiento se sujetan al aparato mediante imanes, por lo que deberían soltarse fácilmente.
CONSEJO: guarde el cabezal de tratamiento que no esté utilizando en un sitio seguro (como puede ser el propio embalaje), con cuidado de no dañar la pantalla de disparo y otros componentes.
- 3. Coloque cuidadosamente el otro cabezal de tratamiento sobre el aparato, asegurándose de que encaja con un clic.

Cómo aplicar el tratamiento:

1. Coloque el sensor de la piel en contacto firme con la piel, asegurándose de que los sensores de contacto con la piel estén bien situados. Si los sensores de contacto con la piel están completamente en contacto con la piel, el botón de disparo del aparato parpadeará y los LED en el lateral del mango se iluminarán, indicando que el aparato está listo para emitir un destello.
NOTA: Si los sensores de contacto con la piel NO están en pleno contacto con la piel, cuando pulse el botón de disparo el aparato no funcionará y emitirá un zumbido. Asegúrese de que los sensores de contacto con la piel están completamente en contacto con ella.
2. Pulse a continuación el botón de disparo para aplicar el destello en la zona que desea tratar. El aparato emitirá un destello de luz brillante (parecido al flash de una cámara) y usted notará una suave sensación de calor.
3. Pase a la siguiente zona y trátela dividiendo la piel en cuadrículas para asegurar que abarca toda la zona a tratar.

- En el modo de disparo único, pulse el botón de disparo cada vez que pase a la siguiente zona.
- En el modo de disparo múltiple, mantenga apretado con el dedo el botón de disparo y deslice el dispositivo a la siguiente zona, asegurándose de que los sensores de contacto con la piel siguen bien situados. El siguiente disparo se producirá automáticamente pasados 3 segundos (en modo intenso).
- Si al usar el modo de disparo múltiple deja de presionar el botón de disparo o el dispositivo pierde el contacto con la piel, repita los pasos anteriores para reanudar el tratamiento.

Tratamiento facial (solo para uso femenino)

El vello del rostro es muy diferente al del cuerpo, y la piel de la cara suele ser más sensible y estar más expuesta a los rayos del sol; por lo tanto, el tratamiento del vello no deseado en el rostro es distinto al tratamiento del vello corporal. Asegúrese de leer detenidamente la sección «Advertencias de seguridad y precauciones» antes de empezar un tratamiento facial.

IMPORTANTE: El cabezal de tratamiento de precisión se ha concebido especialmente para tratar las características particulares del vello facial femenino. NO utilice el cabezal de tratamiento corporal en el rostro. Consulte la sección «Cambio de accesorios» para saber cómo intercambiar los cabezales.

El cabezal de tratamiento de precisión solo está indicado para tratar el vello facial femenino en mejillas, patillas, barbilla, cuello y labio superior (fig. 2).

NO utilice el aparato en la barba o en el vello facial masculino puesto que los resultados pueden ser permanentes o desiguales, lo que puede acarrear cambios no deseables en las características faciales.

ES

CONSEJOS DE TRATAMIENTO

Tratamiento corporal

- Para un mejor resultado, evite que se superpongan disparos. Esto ayuda a prevenir la exposición a más energía de la necesaria para eliminar el crecimiento del vello. También asegura que se aprovecha al máximo el uso de la lámpara.
- Para obtener resultados más efectivos, utilice siempre el nivel más alto de intensidad que no cause molestias en la piel. El nivel utilizado debe hacer que sienta calor en la piel, pero no ha de causar incomodidad.
- Tal vez note que las zonas huesudas, como los codos, espinillas y tobillos, se muestran más sensibles durante el tratamiento. Esto es normal y no debe ser causa de alarma. Para evitar esta sensibilidad, intente estirar la piel lejos de la zona huesuda durante el tratamiento.

Tratamiento facial

- Pruebe primero en una zona pequeña de la piel; puesto que la piel del rostro tiende a ser más sensible, asegúrese de probar el dispositivo en una pequeña zona antes de proceder con el tratamiento. Consulte la sección «Pruebe el dispositivo i-LIGHT en su piel» para más información.
- Utilice un espejo que le sirva de guía al aplicar los tratamientos; le permitirá tener una buena visión de la zona que se va a tratar y estar segura de no tratar los labios u otras manchas oscuras. Si le molesta el reflejo de la luz, cierre los ojos antes de cada disparo.
- Estire la piel para lograr un mejor contacto: los contornos de la piel pueden dificultar que los sensores de contacto con la piel estén completamente presionados en determinadas zonas. Tal vez le resulte más fácil poner el labio superior sobre los dientes o utilizar la lengua para estirar las mejillas y lograr un mejor contacto con la piel.

CUIDADO POSTRATAMIENTO

Tras el tratamiento, puede que experimente ligeros enrojecimientos o una sensación de calor en la piel. Esto es normal y desaparecerá rápidamente. Para evitar la irritación de la piel tras un tratamiento, tome las siguientes precauciones:

- Evite la exposición al sol durante las 24 horas siguientes a un tratamiento. Proteja la piel con una crema solar con factor de protección 30 o mayor durante las 2 semanas siguientes a cada tratamiento.
- No tome el sol de forma prolongada ni acuda al solarario ni utilice productos bronceadores durante al menos 2 semanas tras el último tratamiento.
- Tras el tratamiento, mantenga la zona limpia y seca para mantener la piel hidratada.
- No tome baños calientes, duchas ni use baños de vapor o saunas hasta que haya remitido cualquier enrojecimiento o sensibilidad cutánea.

ESPAÑOL

- No depile la zona (con cera, pinzas, hilo o cremas) durante el tratamiento; puede afeitarla siempre y cuando no lo haga en las 24 horas siguientes a cada tratamiento.
- No utilice cremas blanqueadoras ni productos perfumados durante las 24 horas siguientes al tratamiento..

LÁMPARA FLASH DE 300.000 DESTELLOS

- La lámpara emitirá 300.000 destellos a lo largo de su vida útil
- La lámpara está garantizada para durar todo el periodo de garantía que figura en la tarjeta de garantía que se suministra junto con el producto.
- Cuando la lámpara alcance el 99 % de su vida útil, uno de los LED en el lateral del mango se iluminará con una luz roja durante la carga.
- Cuando la lámpara deje de funcionar ya no podrá utilizar el aparato.

LIMPIEZA DEL DISPOSITIVO i-LIGHT

◆ **ADVERTENCIA:** antes de limpiar su dispositivo i-LIGHT, asegúrese de que el aparato está desenchufado y el cable de corriente desconectado.

Una limpieza regular ayuda a garantizar resultados óptimos y una larga vida para el dispositivo.

- Para limpiar la pantalla de disparo, utilice exclusivamente el paño sin pelusa incluido en su dispositivo i-LIGHT. Tenga cuidado de no arañar ni quebrar la pantalla de disparo. Los arañazos y rasguños pueden reducir la efectividad del aparato.
- Para las manchas resistentes de la pantalla de disparo utilice un algodón humedecido con alcohol sanitario ; aplíquelo a la pantalla de disparo y límpiela suavemente con el paño sin pelusa suministrado con el producto.
 - ◆ **ADVERTENCIA:** no utilice el aparato si la pantalla de disparo está agrietada o rota. No arañe el cristal de filtro ni la superficie metálica que está dentro del cabezal de tratamiento.
 - ◆ **ATENCIÓN:** el i-LIGHT es un dispositivo de alto voltaje. No sumerja la unidad en agua. Nunca limpie el aparato ni ninguna de sus partes bajo el grifo o en el lavavajillas.

Almacenamiento

Apague el dispositivo, desenchúfelo y déjelo enfriarse durante 10 minutos antes de guardarlo.

SOLUCIÓN DE PROBLEMAS

- Lea siempre estas instrucciones íntegramente antes de usar i-LIGHT.
- Consulte esta guía de resolución de problemas si experimenta algún problema con i-LIGHT REVEAL, puesto que esta sección trata los problemas más frecuentes que podría encontrarse con i-LIGHT REVEAL. Si ha seguido las instrucciones de esta sección y sigue teniendo problemas, contacte con el Servicio de Asistencia Técnica de Remington® para recibir asistencia.

Enciende el interruptor, pero el aparato no funciona.

- Asegúrese de que está conectado a una toma de corriente que funcione.
- Intente conectarlo a otra toma de corriente.

El aparato parece tener grietas o estar roto.

- Si el aparato está dañado, no lo utilice. Si no se siente tranquilo usándolo, deje de usarlo y contacte con el Servicio de Asistencia Técnica de Remington® para solicitar asistencia.

He encendido el aparato pero no puedo cambiar de modo.

- Intente reiniciar el aparato apagándolo y esperando unos segundos antes de encenderlo otra vez.

Hay un olor extraño.

- Asegúrese de que la zona está completamente depilada antes del tratamiento.

Las zonas tratadas enrojecen tras el tratamiento.

- Esto es normal y el enrojecimiento debería remitir. De lo contrario, utilice el modo sensible.

NOTA: Si el i-LIGHT se calienta demasiado, se pondrá en modo de espera. En modo de espera, los 5 LED en el lateral del mango se iluminarán uno tras otro. Espere unos minutos hasta que el mango se enfríe. No es necesario apagar el aparato; los LED dejarán de iluminarse cuando el aparato pueda utilizarse de nuevo.

PREGUNTAS FRECUENTES

- Puede consultar la lista completa de preguntas frecuentes en www.remington-ilight.com
- P. ¿Qué zonas del cuerpo puedo tratar con i-LIGHT?
- R. i-LIGHT está pensado para utilizarse en las zonas por debajo del cuello, incluidas las piernas, los brazos, las axilas, la línea del bikini, el pecho y la espalda. Las mujeres pueden también usarlo para tratar el vello facial por debajo de los pómulos.
- P. ¿Qué riesgos implica i-LIGHT? ¿Es seguro?
- R. Se ha demostrado que i-LIGHT es seguro y eficaz pero, al igual que ocurre con cualquier dispositivo electrónico, es importante leer y seguir las instrucciones de uso y las advertencias de seguridad.
- P. ¿Es peligroso para la piel el uso prolongado de la luz pulsada intensa (IPL)?
- R. No se han registrado efectos secundarios o daños cutáneos provocados por el uso a largo plazo de la luz pulsada intensa.
- P. ¿Por qué me crece el vello a pesar de los tratamientos?
- R. Los resultados no son inmediatos y varían según cada caso. La mayoría de los usuarios notarán una reducción del vello tras 1-2 semanas de tratamiento. Durante este periodo puede parecer que el vello sigue creciendo, pero en realidad está siendo «empujado hacia afuera». El vello crece siguiendo un ciclo de 3 fases diferentes que dura de 18 a 24 meses. Solo el vello en fase anágena puede recibir tratamiento, lo que explica que se requiera repetir el tratamiento varias veces para obtener resultados óptimos. Otra razón por la que el vello puede continuar creciendo es que la zona no haya recibido tratamiento. Repita el régimen de tratamiento cuando perciba que el vello vuelve a crecer.
- P. ¿Por qué no puedo usar i-LIGHT tras una exposición reciente al sol?
- R. La exposición al sol aumenta los niveles de melanina y expone la piel a mayores riesgos de quemaduras y ampollas tras el tratamiento.
- P. ¿Necesito protección ocular al usar i-LIGHT?
- R. No, i-LIGHT no daña los ojos. i-LIGHT incorpora un sistema de seguridad que impide disparos involuntarios cuando el dispositivo no está en contacto con la piel. La pequeña cantidad de luz emitida durante el tratamiento es similar a la del flash de una cámara de fotos y no es dañina para los ojos. Los cabezales de tratamiento, especialmente configurados, minimizan la pérdida de luz. Si le molesta el reflejo de la luz, cierre los ojos antes de cada disparo.

RECICLAJE



Para evitar problemas medioambientales y de salud derivados de sustancias peligrosas, los electrodomésticos y las pilas recargables y no recargables en las que aparezca uno de estos símbolos no deben eliminarse junto con los residuos urbanos no seleccionados. Deseche siempre los aparatos eléctricos y electrónicos y, cuando corresponda, las pilas recargables y no recargables, en puntos oficiales de recogida/reciclado adecuados.

ITALIANO

Grazie per aver acquistato il vostro nuovo prodotto Remington®. Prima dell'uso, leggere attentamente le istruzioni e conservarle. Rimuovere tutto l'imballaggio prima dell'uso.

MISURE DI SICUREZZA IMPORTANTI

- L'apparecchio non può essere utilizzato da persone di età inferiore ai 18 anni e da persone con ridotte capacità fisiche, sensoriali o mentali, a meno che abbiano ricevuto istruzioni appropriate e che abbiano compreso i possibili rischi. I bambini non devono giocare con l'apparecchio. La pulizia e la manutenzione dell'apparecchio non possono essere effettuate da persone di età inferiore ai 18 anni.
- Tenere l'apparecchio e il cavo fuori dalla portata dei bambini di età inferiore agli otto anni.
- Non usare il prodotto se il cavo è danneggiato. Sarà possibile sostituirlo tramite i nostri centri di assistenza autorizzati.
- ⊘ Il corpo dell'apparecchio non è lavabile o resistente all'acqua. Non immergerlo in sostanze liquide; non usarlo in prossimità della vasca, del lavandino o di un altro contenitore in cui ci sia dell'acqua e non utilizzarlo all'esterno.
- Possibile pericolo di radiazioni ottiche emesse da questo prodotto. Non fissare la sorgente luminosa che può essere dannosa per gli occhi.
- Utilizzare questo apparecchio solo per l'uso previsto nel presente manuale.
- Non utilizzare l'apparecchio se danneggiato o malfunzionante.
- Non lasciare l'apparecchio incustodito quando è collegato alla presa.
- Tenere la spina e il cavo di alimentazione lontano dalle superfici calde.
- Non utilizzare accessori diversi da quelli forniti in dotazione.
- Non attorcigliare o arrotolare il cavo e non avvolgerlo attorno all'apparecchio.
- Non collegare o scollegare l'apparecchio con le mani bagnate.
- Questo apparecchio non è destinato all'uso commerciale o professionale.

Prima di iniziare ad utilizzare i-LIGHT:

Assicurarsi di aver letto tutti gli avvertimenti e le informazioni di sicurezza. Prima di iniziare, verificare che i-LIGHT sia adatto a voi.

Consultare la tabella dei peli e della tonalità della pelle riportata nella parte anteriore del presente manuale e il sensore per la pelle integrato per determinare se questo dispositivo è adatto a voi (Fig 1).

AVVERTIMENTO: i-LIGHT non è adatto a pelle molto scura o nera. i-LIGHT non è efficace su peli chiari o grigi ed è poco efficace su peli biondi e rossi.

Per uso sul viso: Adatto solo per uso sul viso femminile su guance, basette, mento, zona del collo e sopra le labbra (Fig 2). NON utilizzare su occhi, sopracciglia o ciglia. Potrebbe provocare danni seri e permanenti agli occhi.

Tipo di pelle

- Non usare in caso di pelle naturalmente scura poiché potrebbe provocare ustioni, vesciche e cambiamenti di colore della pelle.
- Non usare in caso di pelle abbronzata o dopo una recente esposizione ai raggi solari poiché potrebbe provocare ustioni e problemi alla pelle.
- i-LIGHT non è efficace sui peli di corpo o viso di colore bianco, grigio, biondo o rosso naturali.

Aree da non trattare:

- Non usare sulla testa o sulle orecchie.
- Non usare sul viso o sul collo maschile.
- Non usare al di sopra degli zigomi (donne).
- Non usare su capezzoli, aureole o genitali.
- Non usare in caso di tatuaggi o trucco permanente nell'area da trattare.
- Non usare su macchie scure o nere quali nei, voglie o lentiggini.
- Non usare su aree recentemente sottoposte a chirurgia, peeling profondo, ringiovanimento della pelle con laser e su cicatrici o pelle che è stata danneggiata da ustioni o scottature.

Quando non utilizzare/Quando evitare di utilizzare i-LIGHT

- NON utilizzare in caso di pelle abbronzata nella zona dove si vuole effettuare il trattamento, in quanto la pelle potrebbe essere troppo scura ed il trattamento nelle zone abbronzate potrebbe temporaneamente causare gonfiori o vesciche alla pelle o potrebbe cambiare il colore della pelle. Attendere fino a quando l'abbronzatura si sarà schiarita prima di effettuare il trattamento.
- NON utilizzare su pelle sulla quale sono stati spalmati cosmetici, in quanto il trattamento in quelle zone potrebbe causare temporanei gonfiori o vesciche alla pelle o potrebbe cambiare il colore della pelle. Assicurarsi di aver pulito accuratamente la zona interessata al trattamento prima di procedere.
- NON sottoporre al flash lo stesso punto più volte durante la stessa sessione, in quanto questo potrebbe causare temporanei gonfiori o vesciche alla pelle o potrebbe cambiare il colore della pelle.
- NON trattare qualsiasi zona più di una volta alla settimana, in quanto non si accelereranno i risultati, ma potrebbero aumentare le probabilità di provocare gonfiori o vesciche alla pelle o cambiamenti del colore della pelle.
- NON utilizzare su pelle danneggiata, comprese ferite aperte, herpes labiale, scottature solari, o zone dove è stato effettuato un peeling della pelle o altra procedura di rinnovamento della pelle nelle ultime 6-8 settimane.
- NON utilizzare su pelle irritata, comprese eruzioni cutanee o pelle gonfia. Queste circostanze possono rendere la pelle più sensibile. Attendere che la zona interessata guarisca prima di procedere.
- NON utilizzare se la pelle è sensibile alla luce. Per determinare se potete usare i-LIGHT, provare su una piccola parte di pelle ed attendere 24 ore per determinare se ci sono delle reazioni avverse prima di trattare in modo più ampio.
- NON utilizzare se siete in stato di gravidanza, se avete il dubbio di esserlo o se state allattando al seno. i-LIGHT non è stato testato sulle donne in stato di gravidanza. I cambiamenti ormonali sono comuni durante la gravidanza o l'allattamento al seno e potrebbero aumentare la sensibilità della pelle ed il rischio di danni alla pelle.
- NON esporre al flash materiale diverso dalla pelle.
- NON utilizzare i-LIGHT per scopi diversi da quello della rimozione dei peli.
- NON trattare zone dove vorreste che in seguito ricrescessero i peli. I risultati possono essere permanenti ed irreversibili.
- Non usare sul viso se avete avuto episodi di herpes labiale; l'uso di luce pulsata intensa (IPL) o di qualsiasi trattamento che irri la pelle può provocare una ricomparsa dell'herpes labiale.
- Se vi siete sottoposte a trattamenti professionali, clinici o casalinghi di rimozione dei peli al laser, a luce pulsata (IPL) o ad elettrolisi, attendete almeno 6 mesi prima di utilizzare i-LIGHT. Se avete fatto ceretta, strappo o epilazione nella zona del trattamento, attendete almeno 6 settimane prima di utilizzare i-LIGHT. L'apparecchio utilizza i peli sotto la pelle per inabilitare i peli alla radice, perciò non è efficace se i peli sono stati eliminati.
- Non usare sopra o vicino a elementi artificiali quali impianti al silicone, impianti contraccettivi Implanon, pacemaker, finestre di iniezioni sottocutanee (dispenser di insulina) o piercing.
- Anche se, durante gli studi, non è stato segnalato alcun problema connesso all'uso di questo apparecchio, si consiglia di osservare tutti gli avvertimenti relativi ai dispositivi medici impiantabili attivi sull'uso dei dispositivi elettronici per impedire qualsiasi guasto o blocco di un dispositivo impiantabile attivo.
- Le apparecchiature di comunicazione senza fili possono influenzare i-LIGHT e dovrebbe essere mantenute ad una distanza di almeno 3,3 m.
- Non utilizzare nelle vicinanze di otturazioni di metallo, impianti dentali o apparecchi ortodontici.

IT

CARATTERISTICHE PRINCIPALI (FIG 3)

- | | |
|--------------------------------------------|--------------------------------------|
| 1. Interruttore di accensione | 11. Finestra del flash |
| 2. Ingresso corrente | 12. Sensori di contatto con la pelle |
| 3. Alimentatore | 13. Testina Trattamento Corpo |
| 4. Manipolo | 14. Testina Trattamento Viso |
| 5. ✦ Modalità Power pulsante del flash | 15. Cavo di alimentazione |
| 6. ✎ Modalità Sensitive pulsante del flash | 16. Panno anti-pelucchi |
| 7. ⌚ Modalità Express pulsante del flash | 17. Astuccio (non visualizzato) |
| 8. Indicatori luminosi LED | |
| 9. Sensore di tonalità della pelle | |
| 10. Cavo del manipolo | |

ITALIANO

COME INIZIARE

Ripiegate la pagina frontale e posteriore del presente manuale d'istruzioni in modo da poter fare riferimento alle immagini mentre leggete.

Si raccomanda di essere pazienti al primo utilizzo di i-LIGHT in quanto, come con qualsiasi prodotto nuovo, può essere necessario del tempo per familiarizzare con l'apparecchio. Prendete del tempo per abituarvi al vostro i-LIGHT, poiché siamo sicuri che avrete diversi anni di felice utilizzo e di completa soddisfazione.

PRESENTAZIONE DI i-LIGHT

Che cosa è i-LIGHT?

i-LIGHT è un dispositivo rivoluzionario per la rimozione dei peli del corpo e del viso femminile ad uso domestico che sfrutta la tecnologia della Luce Pulsata Intensa (IPL).

i-LIGHT utilizza una tecnologia clinicamente testata simile a quella dei dermatologi professionisti e in uso nei saloni di bellezza, ottimizzata per il trattamento personale.

Che cosa è la luce pulsata intensa (IPL) e come lavora i-LIGHT?

PL - (luce pulsata) è una tecnologia ben affermata utilizzata a livello mondiale da oltre 15 anni. i-LIGHT utilizza questa tecnologia per inviare dei flash alla pelle con un impulso intenso di luce.

L'impulso funziona sotto la superficie della pelle e ha come obiettivo i peli alla radice, contribuendo ad arrestarne la crescita. (Fig. 4)

L'energia dell'impulso di luce individua come bersaglio il colore scuro ed i risultati migliori si vedono sui peli più scuri. i-LIGHT è stato progettato per l'uso su tonalità di pelle chiare, medie e scure (tonalità di pelle I-V - skin tones I-V).

Cosa aspettarsi da i-LIGHT

I risultati non sono immediati e sono soggettivi. Molti utilizzatori iniziano a notare una diminuzione dei peli entro 1-2 settimane dall'inizio del trattamento. Durante questo periodo di tempo può sembrare che i peli continuino a crescere, ma in realtà stanno solamente venendo in superficie (Fig.5).

I peli crescono seguendo un ciclo di 3 diverse fasi che dura 18-24 mesi (Fig. 6). Soltanto i peli nella fase di crescita attiva sono sensibili al trattamento, ecco perché sono necessari più trattamenti per ottenere risultati ottimali.

È importante continuare con il trattamento completo e con interventi periodici per accertarsi che ogni pelo attivo venga trattato.

Trattamento completo

Un ciclo completo prevede un trattamento ogni due settimane per un totale di tre.

I risultati sono soggettivi e possono variare, pertanto possono essere necessari più trattamenti per raggiungere risultati ottimali. Alcuni peli ricresciuti potrebbero risultare meno fitti, più fini e chiari rispetto ai peli originali. Questa ricrescita è perfettamente normale. Dopo avere completato il ciclo di trattamenti completo, è consigliabile effettuare dei trattamenti periodici ogni quattro settimane al fine di ottenere risultati ancora migliori. Un trattamento regolare continuo ogni quattro settimane dà buoni risultati in 8-12 settimane (le tonalità di pelle più scura possono avere bisogno di tempi più lunghi). Non utilizzare più di una volta ogni due settimane. NOTA: Evitare di trattare la stessa zona più volte in un'unica sessione, poiché in questo modo non migliora l'efficacia ma aumenta il rischio di irritazione cutanea.

COME FAMILIARIZZARE CON IL VOSTRO DISPOSITIVO i-LIGHT

Finestra del flash con filtro UV incorporato (Fig. 7)

AVVERTIMENTO: Controllare sempre la finestra del flash prima dell'uso per verificare che la lente non sia stata danneggiata.

AVVERTIMENTO: Pulire sempre la finestra del flash prima dell'uso con il panno anti-pelucchi in dotazione per rimuovere eventuali residui o tracce oleose o di altro materiale sulla lente.

Sensori di contatto con la pelle (Fig. 8)

Questo meccanismo di sicurezza impedisce flash accidentali. Il dispositivo non produrrà flash se entrambi i sensori di contatto non sono a pieno contatto con la pelle.

Modalità Power, Modalità Sensitive e Modalità Express (Fig. 9)

I pulsanti Modalità Power, Modalità Sensitive e Modalità Express sono tutti situati sul manipolo.

Tester di Tonalità della Pelle (Fig.10)

Permette l'utilizzo solo sulle pelli con tonalità adatta.

Accessori:

Testina per il Trattamento del Corpo per le zone ampie sotto il collo (Fig.11). Testina per il Trattamento di Precisione delle zone più piccole del viso femminile come guance, basette, mento, zona del collo e sopra le labbra (Fig. 12).

Rilascio accessorio (Fig.13)

Afferrare la testina nei punti indicati e tirarla saldamente per rimuoverla. Nel rimontarla, i magneti faciliteranno l'allineamento della testina nella sua posizione.

IT

PREPARAZIONE ALL'USO**PREPARARE LA VOSTRA PELLE AL TRATTAMENTO**

- Assicurarsi che la zona da trattare sia pulita e priva di oli, deodoranti, profumo, trucco, lozioni e creme. Rasare o tagliare i peli nella zona da trattare e assicurarsi che la pelle sia pulita e asciutta.
- Per l'utilizzo sul viso, potrebbe essere utile accorciare i peli. Nel caso in cui si debbano rifinire, i peli devono essere tagliati a meno di 0.5mm. di lunghezza.
- Non utilizzare cere, epilatori, pinzette o altri metodi che rimuovono i peli dalla radice poiché la luce pulsata intensa (IPL) non è efficace se i peli sono stati rimossi dalla radice.

PREPARARE i-LIGHT ALL'USO

- Collegare il cavo di alimentazione alla presa di corrente.

VERIFICARE LA VOSTRA TONALITA' DI PELLE

- Per determinare se la tonalità della vostra pelle è adatta al trattamento con l'apparecchio, confrontare la pelle nelle zone in cui si intende effettuare il trattamento con la Tabella della Tonalità della Pelle nella parte anteriore del presente manuale (Fig. 1).
- Se la vostra pelle corrisponde alle tonalità di pelle chiara, media o scura della Tabella della Tonalità della Pelle (Skin Tone I-V), potete utilizzare l'apparecchio i-LIGHT.
- Se la vostra pelle nella zona in cui si intende effettuare il trattamento corrisponde alla tonalità di pelle più scura della Tabella della Tonalità della Pelle, NON utilizzare il dispositivo (Tonalità della Pelle VI - Skin Tone VI).
- L'apparecchio i-LIGHT è dotato di un TESTER DELLA TONALITÀ DELLA PELLE sulla testina, progettato per aiutare a prevenire un'emissione involontaria dei flash sulla pelle troppo scura per il trattamento.
- Se la vostra pelle è adatta al trattamento, i-LIGHT emetterà un flash e le spie LED sulla parte laterale del manipolo si illumineranno di bianco. Il numero di spie accese indicherà la vostra Tonalità di Pelle.
- Se la vostra pelle è troppo scura per il trattamento, verrà emesso un flash a bassa energia seguito da quattro segnali acustici e un LED rosso si accenderà nella parte laterale del manipolo.
- Se credete che la vostra pelle sia adatta sulla base della Tabella della Tonalità della Pelle (Fig. 1), ma il dispositivo lampeggia e seguono quattro segnali acustici, provate un'altra zona per il trattamento.

PROVARE IL DISPOSITIVO i-LIGHT SULLA VOSTRA PELLE

Provare il dispositivo i-LIGHT su una piccola area della pelle e aspettare 24 ore per accertarsi che non si verifichino reazioni avverse.

1. Posizionare il manipolo dell'i-LIGHT contro la pelle in modo che la finestrella del flash sia a contatto con la superficie della pelle.
2. Assicurarsi che i Sensori di Contatto con la Pelle siano pienamente in funzione e che le spie LED si illuminino di bianco.
3. Selezionare la modalità preferita e premere il pulsante per emettere un flash.
SUGGERIMENTO: Un moderato disagio è normale, pertanto è possibile iniziare in Modalità Sensitive passando alla Modalità Power quando vi sentirete pronte a farlo.
4. Attendere 24 ore, poi controllare la zona del test. Se la pelle sembra normale, procedere con il primo trattamento completo al livello di energia che avete trovato adatto a voi.
NOTA: Testare l'apparecchio su ogni zona del viso o del corpo che si desidera trattare.

ITALIANO

SELEZIONE DELLA MODALITA' DI FUNZIONAMENTO

- Il TESTER DELLA TONALITÀ DELLA PELLE integrato sulla testina imposterà il livello di potenza adatto per ogni impostazione sulla base della tonalità di pelle registrata.
- Il dispositivo i-LIGHT è dotato di 3 diverse modalità di funzionamento, Modalità Power (Potenza Completa), Modalità Sensitive e Modalità Express. L'unità è in Modalità Power quando è accesa (ON). Emette un flash all'incirca ogni 3 secondi in Modalità Power e Modalità Sensitive e in meno di 1 secondo in Modalità Express.

Modalità Power ✨

La Modalità Power (Potenza Completa) fornisce i livelli più elevati di potenza adatti a voi. Questa modalità è ideale per trattare sia le aree più grandi che le aree più piccole e avrete risultati migliori. La Modalità Power darà i migliori risultati nella rimozione dei peli in pochi trattamenti, ma può risultare meno confortevole.

Modalità Sensitive 🍃

La Modalità Sensitive è per chi trova la Modalità Power troppo intensa. La Modalità Sensitive è una modalità meno potente disponibile per chi è sensibile al fastidio ma che vuole ugualmente rimuovere i peli indesiderati. Con questa modalità si dovranno effettuare più trattamenti per vedere i risultati desiderati.

Modalità Express ⚡

La Modalità Express fornisce all'utente un'opzione veloce per i trattamenti. E' possibile trattare aree più ampie con questa modalità più rapida, ma può essere meno efficace e sono necessari ulteriori trattamenti per vedere i risultati desiderati.

NOTA: Ogni volta che il dispositivo è acceso, automaticamente si posiziona sulla Modalità Power (Potenza Completa).

- Se si desidera selezionare una modalità alternativa, premere il pulsante desiderato per attivarla.
- Una volta deciso e scelto quale modalità di funzionamento è adatta a voi, posizionare la finestra di trattamento in modo deciso contro la pelle.
- Il dispositivo ora è pronto per emettere il primo flash. Per deselezionare la Modalità Sensitive o Express, premere semplicemente di nuovo il pulsante selezionato e l'unità tornerà di nuovo alla Modalità Power con solo il Pulsante Flash illuminato.

TRATTAMENTO

CAMBIO DEGLI ACCESSORI

- Il vostro i-LIGHT è dotato di due diverse testine per il trattamento:
- La testina Corpo è per l'uso su aree più ampie come sui peli del corpo.
- La testina di Precisione è per l'uso su aree più piccole come sui peli del viso femminile, sotto le ascelle e nella zona bikini.

Per cambiare gli accessori:

AVVERTIMENTO: Assicurarsi che l'unità sia spenta (OFF) e che il cavo di alimentazione sia scollegato prima di rimuovere la testina.

- Lasciare che il sistema si raffreddi per 5 minuti prima di cambiare la testina.
1. Spegnerne l'interruttore di alimentazione (OFF) e disconnettere il cavo di alimentazione dalla presa elettrica.
 2. Tenere il dispositivo con una mano mentre si stacca delicatamente la testina con l'altra (Fig.13).

NOTA: Le testine sono attaccate magneticamente al dispositivo e si staccano facilmente.

SUGGERIMENTO: Conservare la testina inutilizzata in un luogo sicuro (come nel suo imballaggio) stando attenti a non danneggiare la finestra del flash e gli altri componenti.

3. Spingere delicatamente l'altra testina sul dispositivo assicurandosi che scatti in posizione.

Come effettuare il trattamento:

1. Posizionare la finestrella del flash in modo saldo contro la pelle - assicurarsi che i sensori di contatto con la pelle siano pienamente in funzione. Se i Sensori di Contatto con la Pelle sono completamente a contatto, il pulsante del flash sul dispositivo lampeggerà di bianco e i LED sul lato del manipolo si illumineranno per indicare che il dispositivo è pronto per emettere flash.

NOTA: Se i Sensori di Contatto con la Pelle NON sono completamente a contatto con la pelle, il dispositivo non funzionerà se si preme il Pulsante del Flash e emetterà un 'cinguettio'. Controllare ancora che i Sensori di Contatto con la Pelle siano completamente a contatto con la pelle.

2. Premere il pulsante del flash per emettere un flash. Vi dovrete aspettare un flash luminoso (simile ad un flash della macchina fotografica) e proverete una lieve sensazione di calore.
3. Spostarsi sulla zona successiva ed effettuare il trattamento cercando di seguire uno schema per assicurarsi di coprire tutta la zona.
 - Per la modalità a flash singolo, premere il pulsante del flash ogni volta che ci si muove verso la zona successiva.
 - Per la modalità multi-flash, tenere il dito sul pulsante del flash per mantenerlo premuto e passare alla zona successiva assicurandosi che i sensori di contatto con la pelle siano pienamente in funzione. Il flash successivo si attiverà automaticamente dopo 3 secondi (in Modalità Potenza Completa).
 - (in Modalità Potenza Completa).
 - Durante la modalità multi-flash se si lascia andare il pulsante del flash o si perde il contatto con la pelle, è necessario riprendere il trattamento ripetendo le fasi sopra riportate.

Trattamento del viso (uso solo femminile)

I peli del viso possono essere molto diversi dai peli del corpo e la pelle del viso tende ad essere sensibile e più esposta ai raggi del sole; quindi trattare i peli indesiderati del viso è diverso dal trattare i peli del corpo - assicurarsi di leggere con attenzione le avvertenze e le precauzioni di sicurezza prima di cominciare il trattamento sul viso.

IMPORTANTE: la testina di Precisione è stata progettata appositamente per trattare le caratteristiche uniche dei peli del viso femminile. NON utilizzare la testina Corpo sul viso. Per ulteriori informazioni, consultare la sezione 'Cambio degli Accessori'.

La testina di Precisione è adatta all'uso sui peli del viso femminile su guance, basette, mento, area del collo e sopra le labbra. (Fig. 2).

NON usare sulla barba o sui peli del viso maschile: i risultati possono essere permanenti o diseguali e potrebbero provocare delle modifiche indesiderate sulle caratteristiche del viso.

IT

SUGGERIMENTI PER IL TRATTAMENTO

Trattamento del corpo

- Per ottenere risultati ottimali, evitare la sovrapposizione dei flash. Ciò consente di prevenire l'esposizione a più energia di quella necessaria per limitare la crescita dei peli superflui. Assicura inoltre il massimo utilizzo della lampadina.
- Per ottenere risultati ottimali, usare sempre il livello di intensità più elevato che non provoca fastidio alla pelle. Si raggiunge il livello ideale quando si avverte calore sulla pelle, senza tuttavia provare fastidio.
- Potreste notare che le aree ossute, quali gomiti, stinchi, e caviglie, sono più sensibili durante il trattamento. È normale che sia così e, in tal caso, non bisogna allarmarsi. Per evitare questa sensibilità, cercare di distendere la pelle dalle aree ossute durante il trattamento.

Trattamento del viso

- Testare su una zona della pelle – dato che la pelle del viso tende ad essere più sensibile, assicurarsi di testare su una piccola zona prima di procedere al trattamento. Consultare la sezione 'Testare i-LIGHT sulla vostra pelle' per maggiori dettagli.
- Utilizzare uno specchio per effettuare il trattamento – utilizzando uno specchio è possibile vedere meglio l'area da trattare e assicurarsi di evitare il trattamento delle labbra o di altre zone scure. Se la luce riflessa dà fastidio, potete provare a chiudere gli occhi prima di ogni flash.
- Tirare la pelle per migliorare il contatto con la pelle - i contorni della pelle possono rendere difficile ai sensori il contatto diretto con la pelle in determinate zone incavate. Potrebbe essere più facile cercare di avvolgere il labbro superiore sopra i denti o utilizzare la lingua per allungare le guance per ottenere un contatto migliore con la pelle.

CURE POST-TRATTAMENTO

Dopo il trattamento, la pelle può essere leggermente arrossata oppure si può provare una leggera sensazione di calore sulla pelle. Questo fenomeno è normale e scomparirà presto. Per evitare di irritare la pelle dopo un trattamento, adottare le seguenti precauzioni:

- Evitare l'esposizione al sole per 24 ore dopo il trattamento. Proteggere la pelle con un fattore di protezione solare SPF 30 per 2 settimane dopo ogni trattamento.

ITALIANO

- Non prolungare l'esposizione ai raggi solari prendendo il sole, facendo lampade abbronzanti o usando autoabbronzanti per almeno 2 settimane dopo l'ultimo trattamento.
- Dopo il trattamento, mantenere l'area pulita e asciutta per garantire l'idratazione della pelle.
- Non fare bagni caldi, docce, bagni di vapore o saune fino a quando tutto il rossore o la sensibilità della pelle sono tornati alla normalità.
- Non depilarsi (mediante ceretta, pinzette, threading o creme) durante il trattamento; è possibile utilizzare un rasoio ma si consiglia di evitarne l'utilizzo nelle 24 ore successive a ogni trattamento.
- Non usare creme schiarenti o prodotti profumati per 24 ore dopo il trattamento.

300.000 FLASH

- La lampadina emette 300.000 flash nel corso della sua vita
- La lampadina di questo apparecchio è garantita per durare l'intero periodo di garanzia come comunicato sulla scheda di garanzia fornita con questo prodotto.
- Quando la lampadina ha raggiunto il 99% della sua possibile durata, uno dei LED sul lato del manopolo si illuminerà di rosso durante l'accensione.
- Quando la vita della lampadina si è esaurita non si potrà più utilizzare il dispositivo.

PULIZIA DELL'APPARECCHIO i-LIGHT

⚠ ATTENZIONE: Prima di pulire il vostro i-LIGHT, assicurarsi che l'apparecchio sia spento (OFF) e che il caricatore sia staccato dall'apparecchio.

Una pulizia regolare contribuisce ad assicurare risultati ottimali e garantisce una lunga vita all'apparecchio.

- Per pulire la finestrella del flash, utilizzare solo il panno anti-pelucchi in dotazione con il vostro apparecchio i-LIGHT. Avere cura di non graffiare o scheggiare la finestrella del flash. I graffi e le schegge possono ridurre l'efficacia dell'apparecchio.
- Per le macchie difficili sulla finestrella del flash, inumidire un tampone di cotone con alcol, applicare sulla finestrella del flash e pulire delicatamente con il panno che non lascia residui in dotazione.
 - ◆ **AVVERTIMENTO:** Se la finestra del flash è crepata o rotta, l'apparecchio non deve essere usato. Non graffiare il vetro del filtro o la superficie metallica all'interno della testina.
 - ◆ **ATTENZIONE:** i-LIGHT è un dispositivo ad alta tensione. Non immergerlo in acqua. Non pulire l'apparecchio o uno qualsiasi dei suoi componenti sotto acqua corrente o in lavastoviglie.

Conservazione

Spegnere l'apparecchio, scollegarlo e lasciarlo raffreddare per 10 minuti prima di riporlo.

RISOLUZIONE PROBLEMI

- Fare sempre riferimento a queste istruzioni prima di utilizzare i-LIGHT.
- Consultare la presente guida di risoluzione dei problemi qualora dovessero sorgere dei problemi con i-LIGHT, dato che questa sezione presenta le problematiche più comuni che si potrebbero avere durante l'utilizzo del dispositivo i-LIGHT. Se avete seguito le istruzioni riportate in questa sezione e continuate ad avere problemi, contattate il Remington® per ulteriore assistenza.

Ho acceso il dispositivo (ON), ma l'apparecchio non funziona.

- Accertarsi che l'unità sia collegata a una presa elettrica funzionante.
- Provare a cambiare presa.

L'unità sembra avere delle crepe o è rotta.

- Non usare se l'apparecchio è danneggiato. Se avete dei dubbi circa l'utilizzo dell'unità, interrompete l'uso e contattate il numero verde Remington® per ulteriore assistenza.

Ho acceso l'unità (ON), ma non riesco a cambiare la modalità

- Provate a reimpostare l'unità spegnendola e aspettando alcuni secondi prima di accenderla nuovamente.

Si sente un odore strano.

- Accertarsi che l'area sia completamente rasata prima di procedere al trattamento.

Le aree trattate diventano rosse dopo il trattamento.

- E' normale e il rossore dovrebbe diminuire. Se ciò non si verifica, prova a passare alla Modalità Sensitive.
NOTA: Se il dispositivo i-LIGHT dovesse diventare troppo caldo, entra in modalità stand-by. In modalità stand-by, i 5 LED sul lato del manipolo iniziano ad illuminarsi uno dopo l'altro. Attendere alcuni minuti per fare raffreddare il manipolo. Non è necessario spegnere l'unità, le spie LED si spengono quando il dispositivo è di nuovo pronto per l'uso.

FAQ

- Per una lista completa delle FAQ, visitare il sito (www.remington-ilight.com)
- Q. Che zone del mio corpo posso trattare con i-LIGHT?
- A. i-LIGHT è stato progettato per un utilizzo unisex sulle zone sotto il collo, comprese le gambe, le ascelle, la zona bikini, le braccia, il petto e la schiena. Le donne possono utilizzarlo anche su peli del viso al di sotto degli zigomi.
- Q. Quali sono i rischi derivanti dall'uso di i-LIGHT. È sicuro?
- A. i-LIGHT ha dato prova di essere un apparecchio sicuro ed efficace, ma come qualsiasi dispositivo elettronico è importante leggere e seguire le istruzioni di funzionamento e le avvertenze di sicurezza.
- Q. La luce pulsata intensa (IPL) è pericolosa per la pelle dopo un lungo utilizzo?
- A. Non sono stati rilevati effetti collaterali o danni alla pelle derivanti da un utilizzo prolungato della luce pulsata intensa (IPL)
- Q. Perché i miei peli stanno crescendo nonostante i trattamenti?
- A. I risultati non sono immediati e sono soggettivi. Molti utilizzatori iniziano a notare una diminuzione dei peli entro 1-2 settimane dall'inizio del trattamento. Durante questo periodo di tempo può sembrare che i peli continuino a crescere, ma in realtà stanno solamente venendo in superficie. I peli crescono seguendo un ciclo di 3 diverse fasi che dura 18-24 mesi. Soltanto i peli nella fase di crescita attiva sono sensibili al trattamento, ecco perché sono necessari più trattamenti per ottenere risultati ottimali. Un altro motivo di crescita continua potrebbe dipendere dal fatto che la zona non è stata trattata durante il trattamento. Ripetere il ciclo di trattamenti non appena si nota la ricrescita.
- Q. Perché non posso usare i-LIGHT dopo una recente esposizione al sole?
- A. L'esposizione al sole provoca un aumento della melanina e espone la pelle ad un elevato rischio di ustioni o vesciche dopo il trattamento.
- Q. Ho bisogno di protezione agli occhi quando uso i-LIGHT?
- A. No, non è pericoloso per gli occhi. i-LIGHT è dotato di un sistema di sicurezza che impedisce i flash involontari quando il dispositivo non è a contatto con la pelle. La piccola quantità di luce emessa durante il trattamento è simile a quella di un flash della macchina fotografica e non è dannosa per gli occhi. Le testine sono state progettate per ridurre al minimo la perdita di luce. Se la luce riflessa dà fastidio, potete provare a chiudere gli occhi prima di ogni flash..

RICICLO

Per evitare problemi di salute ed ambientali dovuti a sostanze pericolose, gli apparecchi e le batterie ricaricabili e non ricaricabili contrassegnati con uno di questi simboli non devono essere smaltiti con i rifiuti urbani indifferenziati. Smaltire i prodotti elettrici ed elettronici e, quando possibile, le batterie ricaricabili e non ricaricabili, in un punto di raccolta autorizzato per il riciclo/la raccolta.

DANSK

Tak for at have købt dit nye produkt fra Remington®. Læs venligst denne vejledning omhyggeligt før brug og bevar den godt. Fjern al emballage før brug.

VIGTIGE SIKKERHEDSFORANSTALTNINGER

- Dette apparat bør ikke bruges af personer under 18 år med reducerede fysiske, sansemæssige eller mentale evner, eller af personer uden den fornødne erfaring, medmindre de er blevet instrueret og forstår de forbundne farer. Børn må ikke lege med apparatet. Rengøring og vedligeholdelse må ikke udføres af personer under 18 år.
- Apparatet og ledningen skal holdes uden for rækkevidden af børn under 8 år.
- Anvend ikke produktet med en beskadiget ledning. Ledningen kan skiftes ud via vores internationale servicecenter.
- ⊘ Dette apparats hoveddel kan ikke vaskes og er ikke vandtæt. Læg ikke apparatet ned i væske; anvend det ikke i nærheden af vand i et badekar, håndvask eller anden beholder; og brug det ikke udendørs.
- Der udsendes potentielt farlig optisk stråling fra dette produkt. Kig ikke ind i lyset, da det kan beskadige dine øjne.
 - Dette apparat må kun bruges som beskrevet i denne brugsvejledning.
 - Brug ikke apparatet, hvis det er beskadiget eller ikke fungerer korrekt.
 - Efterlad ikke apparatet uden opsyn, mens dets stik sidder i stikkontakten.
 - Hold strømstik og ledning væk fra varme overflader.
 - Brug ikke andet tilbehør eller dele end det, som leveres af os.
 - Undgå at vride eller bøje ledningen og vikl det ikke om produktet.
 - Stikket må ikke tages ud eller sættes i med våde hænder.
 - Dette apparat er ikke til kommerciel brug eller brug i salon.

Inden du begynder at bruge i-LIGHT:

Sørg for at du har læst alle advarsler og sikkerhedsoplysninger. Inden du går i gang, skal du finde ud af, om i-LIGHT er egnet til dig.

Brug oversigten over hud- og hårtypen, som findes forrest i denne vejledning og den integrerede hudsensor for at afgøre, om dette apparat er egnet til dig (fig. 1).

ADVARSEL: i-LIGHT er ikke egnet til meget mørk eller sort hud. i-LIGHT er ikke effektiv på lyse eller grå hår og er mindre effektiv på blonde og røde hår.

Brug i ansigtet: Kun egnet til brug i kvindens ansigt på følgende områder: Kinder, bakkenbarter, hage, halsområde og oven over læberne (fig. 2).

MÅ IKKE bruges på øjnene, øjenbrynene eller øjenvipperne. Gøres dette kan man pådrage sig permanente øjenskader.

Hudtypekort

- Brug ikke enheden på naturlig mørk hud, da det kan forårsage forbrændinger og ændre hudfarven.
- Brug ikke enheden på solbrun hud eller lige efter, du har været udsat for sol, da det kan forårsage forbrændinger eller hudskader.
- i-LIGHT er ikke effektiv på naturligt hvide, grå, blonde eller røde krops- eller ansigtshår.

Områder, som ikke må behandles:

- Brug ikke enheden på hovedbunden eller ørerne.
- Brug ikke enheden på mænds ansigt eller hals.
- Brug ikke enheden oven for kindbenene (kvinders).
- Brug ikke enheden på brystvorter, areola (det brune område omkring brystvorten) eller på kønsdelene.
- Brug ikke enheden på områder med tatoveringer eller permanent makeup.
- Brug ikke enheden på mørkebrune eller sorte pletter såsom skønhedspletter, modermærker eller fregner.
- Brug ikke enheden på et område, som for nylig er blevet opereret, dybdepeelet, eller behandlet med laser-resurfacing, eller på ar eller hud, som er beskadiget af forbrænding eller skoldning.

Tilfælde, hvor du ikke må/bør undgå at bruge i-LIGHT

- BRUG IKKE enheden, hvis du er solbrun på det hudområde, du ønsker at behandle, da din hud kan være for mørk. Behandling på solbrune områder kan give midlertidig hævet hud, vabler og ændre din hudfarve. Vent indtil solbrændtheden eller den brune farve er forsvundet, inden du påbegynder behandlingen.
- BRUG IKKE enheden på hud med kosmetik eller makeup, da behandling i disse områder kan give midlertidig hævet hud, vabler eller kan ændre din hudfarve. Sørg for, at du foretager en grundig afrensning af det område, du ønsker at behandle.
- LYS IKKE mere end én gang på samme område under samme behandlingssession, da dette kan give midlertidig hævet hud, vabler og ændre din hudfarve.
- BRUG IKKE enheden på det samme område af huden mere end én gang om ugen, da dette ikke vil fremme resultaterne, men kan betyde større sensynlighed for hævet hud, vabler eller ændring af din hudfarve.
- Brug ikke enheden, hvis du har beskadiget hud, herunder åbne sår, forkølelssår, solskoldet hud eller områder, hvor du har fået foretaget en hudpeeling eller anden resurfacing-behandling inden for de sidste 6-8 uger.
- BRUG IKKE enheden på irriteret hud, herunder hudafskrabbinger og hævet hud. Disse tilstande kan gøre huden mere følsom. Vent indtil det påvirkede område er helet, inden du påbegynder behandlingen.
- BRUG IKKE enheden på lysfølsom hud. For at afgøre, om du må bruge i-LIGHT, skal du afprøve den på et lille område af huden, og vente 24 timer for at sikre dig, at der ikke opstår uønskede reaktioner.
- BRUG IKKE enheden, hvis du er gravid eller ammer. i-LIGHT er ikke blevet afprøvet på gravide kvinder. Hormonelle ændringer er almindelige under graviditet og amning og kan øge følsomheden og risikoen for hudskader.
- LYS IKKE på noget andet materiale end huden.
- BRUG IKKE i-LIGHT til noget andet formål end hårfjerning.
- BRUG IKKE enheden på noget område, hvor du måske engang ønsker at lade hårene vokse ud igen. Resultaterne kan være permanente og uigenkaldelige.
- Brug ikke enheden i ansigtet, hvis du før har haft forkølelssår; har brugt IPL eller andre behandlinger, som irriterer huden, da det kan få forkølelssår til at blusse op igen.
- Hvis du selv har foretaget, eller du har fået foretaget hårfjerning med laser, IPL eller elektrolyse af en fagkyndig eller på en klinik, skal du vente mindst 6 måneder, inden du bruger i-LIGHT. Hvis du har brugt voks, epilering eller pincet i området, du ønsker at behandle, skal du vente mindst 6 uger, inden du bruger i-LIGHT. Enheden virker på hårene under hudoverfladen og svækker dem ved roden, så den er ikke effektiv, hvis hårene er blevet trukket ud.
- Brug ikke enheden over eller i nærheden af noget kunstigt såsom silikoneimplantater, P-stav, pacemaker, subkutane injektionsporte (insulindispenser) eller piercinger.
- Selvom der ikke er rapporteret nogen problemer i undersøgelser forbundet med brugen af denne enhed, anbefaler vi, at man følger alle advarsler på aktive kliniske implantater vedrørende brug af elektroniske enheder for at undgå funktionsfejl ved eller afbrydelse af et sådant aktivt klinisk implantat.
- Trådløst kommunikationsudstyr kan påvirke i-LIGHT og skal derfor efterlades i en afstand på mindst 3,3 m.
- BRUG IKKE enheden ovenpå eller i nærheden af metalfyldninger, tandimplantater eller tandbøjler.



HOVEDFUNKTIONER (FIG 3)

- | | |
|-----------------------------------|----------------------------------------|
| 1. Tænd/sluk-knap | 10. Ledning til håndstykke |
| 2. Strømtilslutning | 11. Blitz-rude |
| 3. Stømenhed | 12. Hudkontaktføler |
| 4. Håndstykke | 13. Behandlingshoved til kroppen |
| 5. ✨ Styrke-tilstand blitz-knap | 14. Behandlingshoved til ansigtet |
| 6. ✂ Sensitiv-tilstand blitz-knap | 15. EL-ledning |
| 7. ⚡ Ekspres-tilstand blitz-knap | 16. Fnugfri klud |
| 8. LED-indikatorlamper | 17. Opbevaringspose (ikke illustreret) |
| 9. Hudtypesensor | |

DANSK

KOM IGANG

Fold den første og den sidste side af denne brugsanvisning ud, så du kan referere til tegningerne, mens du læser. Hav tålmodighed første gang du bruger din i-LIGHT, da det - i lighed med ethvert andet nyt produkt - kan tage lidt tid, inden du bliver bekendt med produktet. Tag dig tid til at vænne dig til din i-LIGHT, vi er sikre på, at du vil få glæde af at bruge den i mange år og være fuldstændig tilfreds.

LÆR AT BRUGE i-LIGHT

Hvad er i-LIGHT?

i-LIGHT-systemet er en revolutionær lysbaseret enhed til hjemmebrug, beregnet til fjernelse af uønsket hårvækst på kvinders krop og ansigt.

i-LIGHT bruger klinisk gennemprøvet teknologi, som også anvendes af professionelle dermatologer og i saloner, optimeret til hjemmebrug.

Hvad er Intense Pulse Light (IPL), og hvordan fungerer i-LIGHT?

PL - (Intense Pulsed Light) er en veletableret teknologi, man har brugt på verdensplan i over 15 år. i-LIGHT anvender denne teknologi til blitze en intens lysimpuls ind i huden.

Lysimpulsen arbejder under hudens overflade, hvor den rammer hårene ved rødderne for at standse deres vækst. (Fig. 4)

Lysimpulsens energi målrettes efter mørke farver, derfor ses de bedste resultater på mørkere hår.

i-LIGHT er beregnet til brug på lyse, mellemlyse, mellemmørke og mørke hudnuancer (hudnuancerne I-V).

Hvad kan du forvente af i-LIGHT?

Du vil ikke se resultater med det samme, og resultaterne kan variere fra person til person. De fleste brugere vil begynde at bemærke færre hår 1-2 uger, efter de er begyndt på behandlingen. I denne periode kan det se ud som om, hårene stadig vokser, men de bliver faktisk "skubbet ud" (Fig. 5).

Hår vokser i en cyklus bestående af 3 faser, som varer mindst 18-24 måneder (Fig. 6). Kun hår i den aktive vækstfase er modtagelige for behandling, og derfor er det nødvendigt at foretage adskillige behandlinger for at opnå optimale resultater.

Det er imidlertid vigtigt, at du fortsætter med den komplette behandlingssession og supplerende behandlinger for at sikre, at alle aktive hår behandles.

Behandlingssession

En komplet behandlingssession er én gang hver 14. dag, i alt tre behandlinger. Resultaterne kan variere fra person til person, derfor kan det være nødvendigt at foretage adskillige behandlinger for at få et optimalt resultat. Der vil være noget hårvækst, som er mindre kraftig, finere og lysere i farven end de oprindelige hår. Denne genudvoksning er helt normal og bør forventes. Når du er færdig med den fulde behandlingssessionen, vil supplerende behandlinger en gang hver 4. uge give endnu bedre resultater. Kontinuerlig regelmæssig behandling hver 14. dag vil give gode resultater inden for 8-12 uger (muligvis længere tid for mørkere hudtyper). Brug ikke enheden oftere end hver 14. dag. BEMÆRK: Du bør undgå at behandle det samme område mere end én gang under samme behandlingssession, da dette ikke vil forbedre effekten, men derimod øge risikoen for irriteret hud.

LÆR i-LIGHT AT KENDE

Blitz-rude med indbygget UV-filter (fig. 7)

ADVARSEL: Kontrollér altid blitz-ruden før brug for at sikre, at linsen ikke er beskadiget.

ADVARSEL: Rengør altid blitz-ruden før brug med den medfølgende fnugfrie klud for at sikre, at der ikke er olie eller snavs på linsen.

Hudkontaktføler (Fig 8)

Denne sikkerhedsmekanisme modvirker utilsigtet udsendelse af blitz. Enheden blitser ikke, medmindre hudkontaktføleren er i fuld kontakt med huden.

Styrke-tilstand, Sensitiv-tilstand og Ekspres-tilstand (fig. 9)

Knapperne for Styrke-tilstand, Sensitiv-tilstand og Ekspres-tilstand sidder alle på håndstykket.

Hudnuancetester (fig. 10)

Sikrer, at i-LIGHT kun bruges på egnede hudtyper.

Behandlingshoveder:

Behandlingshoved til kroppen, til store områder fra halsen og nedefter (fig. 11).

Præcisions-behandlingshoved til mindre områder i kvindes ansigt, såsom kinder, bakkenbarter, hage, halsområde og oven over læberne (fig. 2).

Frigørelse af behandlingshoveder (fig. 13)

Tag fat i behandlingshovedet på det sted, der er vist på tegningen og træk lige udad i et ryk for at frigøre behandlingshovedet. Når behandlingshovedet skal sættes på igen hjælpes det på plads af magneter.

KLARGØRING AF ENHEDEN TIL BRUG

FORBERED DIN HUD TIL BEHANDLING

- Sørg for, at det område, der skal behandles, er rent og uden olie, deodorant, parfume, makeup, lotion og creme. Barber eller trim hårene i det område, du ønsker at behandle, og sørg for at huden er ren og tør.
- Inden behandling i ansigtet kan det være en god idé at trimme hårene. Hvis du trimmer hårene, skal de trimmes ned til under 0,5 mm.
- Brug aldrig voks, epilering, pincet eller andre hårfjerningsmetoder, som fjerner hårene fra rødderne, da IPL ikke er effektiv, hvis hårene er blevet trukket ud.

KLRGØRING AF i-LIGHT TIL BRUG

- Slut el-ledningen til en stikkontakt.

BESTEM DIN HUDFARVE

- For at afgøre, om din hudnuance er egnet til enheden, skal du sammenligne huden på de områder, du ønsker at behandle, med hudtypekortet i begyndelsen af denne brugsanvisning (fig. 1).
- Du må bruge i-LIGHT, hvis din hud svarer til enten den lyse, mellemlyse, mellem mørke eller mørke hudnuance i hudtypekortet (I-V).
- BRUG IKKE i-LIGHT, hvis huden på de områder, du ønsker at behandle, svarer til den mørkeste nuance i hudtypekortet (hudnuance VI).
- i-LIGHT har en integreret HUDNUANCETESTER på behandlingshovedet, der har til formål at modvirke utilsigtet blitz-udladning på hud, der er for mørk til at blive behandlet.
- Hvis din hud er egnet til behandling, vil i-LIGHT blitze, og LED-lamperne på siden af håndstykket lyser hvidt. Antallet af lamper, der lyser angiver din hudnuance.
- Hvis din hud er for mørk til at tåle behandlingen, vil du modtage et svagt blitzlys efterfulgt af fire hørbare bip, og en rød LED-lampe på siden af håndstykket lyser rødt.
- Hvis du mener, at din hud er egnet ifølge hudtypekortet (fig. 1), men enheden blitser og udsender fire hørbare bip, skal du afprøve enheden på et andet hudområde.

TEST i-LIGHT PÅ DIN HUD

Inden du påbegynder din første komplette behandling, skal du afprøve i-LIGHT på et lille område af huden, og vente 24 timer for at sikre dig, at der ikke opstår uønskede reaktioner.

1. Sæt i-LIGHT-håndstykket imod huden, så blitz-ruden flugter med hudsens overflade.
2. Sørg for, at hudkontaktsensorerne er i fuld kontakt med huden, og at LED-lamperne lyser hvidt.
3. Vælg den ønskede tilstand og tryk på knappen for at udsende en blitz-udladning.
TIP: Da mildt til moderat ubehag er normalt, vil du måske foretrække at begynde med Sensitiv-tilstanden og først skifte til Styrke-tilstanden, når du er klar til det.
4. Vent 24 timer og se derefter til testområdet. Hvis huden ser normal ud, kan du påbegynde din første komplette behandling ved det styrkeniveau, du afgjorde, var det rette for dig.
BEMÆRK: Du skal afprøve enheden på hvert eneste område, du ønsker at behandle i ansigtet.

VÆLG TILSTAND

- Den integrerede HUDNUANCETESTER på behandlingshovedet vil indstille det rette styrkeniveau i de enkelte tilstande baseret på den registrerede hudnuance.



DANSK

- Din i-LIGHT har tre forskellige tilstande: Styrke-tilstand (fuld styrke), Sensitiv-tilstand og Ekspres-tilstand. Når den tændes, vil enheden altid være i Styrke-tilstanden. Den blinker cirka hvert 3. sekund i Styrke-tilstanden og i Sensitiv-tilstanden, og hurtigere end hvert sekund i Ekspres-tilstanden.

Styrke-tilstanden

I Styrke-tilstanden (fuld styrke) bruges de højeste styrkeniveauer, der er passende afhængig af din hudnuance. Denne tilstand er ideel til behandling af store såvel som små områder og resultatet bliver bedre. Ved at bruge Styrke-tilstanden opnår du den mest effektive hårfjerning i løbet af færre behandlinger, men denne tilstand er muligvis mindre behagelig.

Sensitiv-tilstanden

Sensitiv-tilstanden er til de personer, som synes at Styrke-tilstanden er for intens. Sensitiv-tilstanden er en mindre kraftfuld tilstand til de personer, som er sensitive over for ubehag, men alligevel ønsker at fjerne uønsket hårvækst. Med denne tilstand kan det være nødvendigt at foretage lidt flere behandlinger for at opnå det ønskede resultat.

Ekspres-tilstanden

Ekspres-tilstanden giver dig mulighed for at udføre behandlingerne på korte tid. Med denne tilstand kan du behandle større områder i et højere tempo, men den er muligvis mindre effektiv, og det vil kræve lidt flere behandlinger, inden du opnår det ønskede resultat.

BEMÆRK: Hver gang enheden tændes, er den som standard i Styrke-tilstand (fuld styrke).

- Hvis du vil vælge en anden tilstand, skal du trykke på den ønskede tilstandsknap, så den lyser.
- Når du har besluttet og valgt den tilstand, der passer dig bedst, kan du sætte behandlingsruden fast ind mod huden.
- Enheden er nu klar til at udsende den første blitz-udladning. For at deaktivere Sensitiv- eller Ekspres-tilstanden, skal du blot trykke på knappen igen. Derved vender enheden tilbage til Styrke-tilstanden, hvor det kun er blitz-knappen, som lyser.

BEHANDLING

UDSKIFTNING AF BEHANDLINGSHOVEDER

- Din i-LIGHT har to forskellige behandlingshoveder:
- Behandlingshovedet til kroppen er beregnet til at bruge på større områder, dvs. ikke i ansigtet.
- Præcisions-behandlingshovedet er beregnet til at bruge på mindre områder såsom hårvækst i kvindens ansigt, armhuler og bikiniområde.

Sådan skiftes behandlingshoveder:

ADVARSEL: Sørg altid for, at enheden er SLUKKET og el-ledningen frakoblet, inden du tager behandlingshoveder af.

- Lad enheden køle af i 5 minutter, inden du forsøger at skifte behandlingshoveder.
1. SLUK for tænd/sluk-knappen og tag el-ledningen ud af stikkontakten.
 2. Hold om enheden med den ene hånd, mens du forsigtigt trækker behandlingshovedet af med den anden (fig. 13).
BEMÆRK: Behandlingshovedet holdes fast på enheden vha. magneter, så det bør være nemt at trække af.
TIP: Læg det ubrugte behandlingshoved på et sikkert sted (f.eks. i emballagen) og pas på ikke at beskadige blitz-ruden eller andre dele på enheden.
 3. Tryk forsigtigt det andet behandlingshoved tilbage på enheden og sørg for, at den klikker på plads.

Sådan behandler du huden:

1. Sæt blitz-ruden fast imod huden - hudkontaktføleren skal være helt aktiveret. Hvis hudkontaktsensorerne er i fuld kontakt med huden, vil blitz-knappen på enheden blinke hvidt, og LED-lamperne på siden af håndstykket lyser for at indikere, at enheden er klar til at blitze.
BEMÆRK: Hvis hudkontaktsensorerne ikke er i fuld kontakt med huden, virker enheden ikke, når du trykker på blitz-knappen, og den "brummer". Dobbelttjek, at hudkontaktsensorerne er i fuld kontakt med huden.
2. Tryk på blitz-knappen for at udsende en blitz-udladning. Du kan forvente at se et klart blitz af lys (ligner en kamera-blitz), og du bør mærke en let følelse af varme.
3. Gå videre til det næste område og før håndstykket hen over huden i et mønster, som minder om et skema for at sikre, at hele området behandles.

- I Enkelt-blitz-tilstand skal du trykke på blitz-knappen, hver gang du går videre til det næste område.
- I Multi-blitz-tilstanden skal du holde fingeren på blitz-knappen og holde den trykket nede og glide håndstykket videre til det næste område - hudkontaktføleren skal være helt aktiveret. Den næste blitz-udladning udsendes automatisk efter 3 sekunder (i fuld Styrke-tilstand).
- Under multi-blitz-tilstand: Hvis du slipper blitz-knappen eller mister hudkontakten, kan du blot genoptage behandlingen ved at gentage ovenstående trin.

Brug i ansigtet (kun til kvindens ansigt)

Ansigtsbehåring kan være meget anderledes end kropsbehåring, og ansigtshuden er ofte mere følsom og udsættes oftere for stråler. Derfor skal uønsket ansigtsbehåring behandles anderledes end kropsbehåring - sørg venligst for at læse afsnittet "Advarsler og sikkerhed" omhyggeligt, inden du begynder behandlingen af ansigtet.

VIGTIGT: Præcisions-behandlingshovedet er specifikt udviklet til behandling af den særlige hårvækst i kvindens ansigt. Behandlingshovedet til kroppen MÅ IKKE bruges i ansigtet. I afsnittet om "Udskiftning af behandlingshoveder" finder du yderligere information.

Præcisions-behandlingshovedet er kun beregnet til brug i kvindens ansigt på følgende områder: Kinder, bakkenbarter, hage, halsområde og oven over læberne. (Fig. 2).

MÅ IKKE anvendes på mandens skæg eller ansigtsbehåring, da resultatet kan være permanent eller uens, hvilket kan forårsage uønskede ændringer i ansigtets særpræg.



TIPS TIL BEHANDLING

Brug på kroppen

- Du opnår det bedste resultat ved at undgå overlappende blitz-udladninger. Dette gør, at du ikke bliver udsat for unødigt energi ift. det nødvendige for at undertrykke hårvæksten. Dette sikrer desuden optimal udnyttelse af pæren.
- Brug altid det højeste intensitetsniveau, der ikke volder ubehag på huden, for at opnå det mest effektive resultat. Det niveau, du anvender, skal føles varmt på huden, men må aldrig volde ubehag.
- Du vil evt. kunne mærke, at områder med knogler, som f.eks. albuer, skinneben og ankler, er mere følsomme under behandlingen. Dette er normalt og bør ikke give anledning til bekymring. Prøv at strække huden væk fra området med knogler under behandlingen, så du undgår denne følsomhed.

Brug i ansigtet

- Afprøv i-LIGHT på et lille område af huden, da ansigtsbehåring normalt er mere følsom, sørg for at teste et lille område, inden du fortsætter. Se afsnittet "Afprøv i-LIGHT på din hud" for yderligere oplysninger.
- Brug et spejl til at guide behandlingen – med et spejl kan du få et godt overblik over området, der skal behandles, og det hjælper dig med at undgå at behandle læberne eller andre mørke pletter. Hvis lysrefleksionen er ubehagelig, kan du lukke øjnene inden hver blitz-udladning.
- Stræk huden, så enheden får bedre kontakt med huden – hudens konturer kan gøre det svært for hudkontaktføleren at være trykket helt ind på visse områder. Det er måske lettere, hvis du strammer din overlæbe ind bag tænderne eller strækker dine kinder ved hjælp af tungen for at få bedre hudkontakt.

PLEJE EFTER BEHANDLING

Efter behandling kan du muligvis se en smule rødmen eller føle, at huden er varm. Det er normalt og forsvinder hurtigt. Træf følgende forholdsregler for at undgå, at din hud bliver irriteret efter en behandling.

- Undgå, at udsætte huden for sollys i 24 timer efter en behandling. Beskyt huden med solbeskyttelsesfaktor 30 i 2 uger efter hver behandling.
- Udsæt ikke dig selv for længere tids sollys som f.eks. solbadning, solarium eller selvbruner i mindst 2 uger efter den seneste behandling.
- Hold området rent og tørt, for at bevare huden hydreret efter behandlingen.
- Tag ikke varme bade eller brusebade, og brug ikke damprom eller saunaer, før eventuel rødmen eller hudfølsomhed er normaliseret.
- Fjern ikke hår (voksning, plukning, fjernelse med tråd eller cremer) under behandlingen – barbering kan anvendes, så længe du undgår barbering i 24 timer efter hver behandling.
- Brug ikke blegecremer eller parfumerede produkter i 24 timer efter behandlingen.

DANSK

300.000 BLITZPÆRE

- Pæren leverer i alt 300.000 blitz-udladninger i sin levetid.
- Vi garanterer, at pæren i denne enhed holder i hele garantiens varighed, som fremgår af garantibeviset, der er vedlagt dette produkt.
- Når blitzpæren har nået 99 % af sin mulige levetid, vil en af LED-lamperne på siden af håndstykket lyse rødt, når enheden tændes.
- Når blitzpæren er opbrugt, kan du ikke fortsætte med at bruge enheden.

RENGØRING AF DIN i-LIGHT-ENHED

◆ **ADVARSEL:** Før du rengør din i-LIGHT-enhed, skal du kontrollere, at tænd/sluk-knappen er slukket, og at opladningsledningen ikke er tilsluttet enheden.

Regelmæssig rengøring hjælper med at sikre optimale resultater, samt at enheden holder længere.

- Til rengøring af blitz-ruden må man kun anvende den fnugfrie klud, der fulgte med din i-LIGHT-enhed. Undgå at ridse eller slå skår af blitz-ruden. Ridser og skår kan reducere enhedens effektivitet.
- Brug en bomuldsvatpind fugtet med hospitalssprit eller husholdningssprit til genstridige pletter på blitz-ruden, og rengør derefter med den medfølgende fnugfrie klud.
 - ◆ **ADVARSEL:** Hvis blitz-ruden er revnet eller itu, må enheden ikke anvendes. Rids aldrig filterglasset eller metaloverfladen inden i behandlingshovedet.
 - ◆ **FORSIGTIG:** i-LIGHT er en enhed med højspænding. Enheden må aldrig sænkes ned i vand. Rengør aldrig enheden eller dele af den under hanen eller i opvaskemaskinen.

Opbevaring

Sluk for enheden, afbryd el-ledningen, og lad enheden køle af i 10 minutter, før du lægger den til opbevaring.

FEJLFINDING

- Læs altid disse instruktioner helt igennem, før du bruger i-LIGHT.
- Læs denne fejlfindingsvejledning, hvis du oplever problemer med i-LIGHT. I dette afsnit behandles de mest almindelige problemer, som du evt. vil kunne opleve med i-LIGHT. Hvis du har fulgt instruktionerne i dette afsnit og fortsat oplever problemer, bedes du kontakte Remington® servicecenter for at få yderligere hjælp.

Jeg har tændt for tænd/sluk-knappen, men enheden fungerer ikke.

- Kontrollér, at enheden er sluttet til en stikkontakt, der fungerer.
- Prøv at skifte til en anden stikkontakt.

Enheden ser ud til at være revnet eller i stykker.

- Brug ikke enheden, hvis den er beskadiget. Hvis du er betænkelig ved at bruge enheden, må du ikke bruge den længere, men skal kontakte Remington® servicecentret for at få yderligere hjælp.

Jeg har tændt enheden, men kan ikke skifte tilstand.

- Prøv at nulstille enheden ved at slukke den og vente nogle sekunder, før du tænder den igen.

Der er en underlig lugt.

- Sørg for, at området er helt barberet før behandlingen.

De behandlede områder bliver røde efter behandlingen.

- Dette er normalt, og rødmen bør fortage sig. Hvis ikke, kan du prøve at skifte til Sensitiv-tilstand. BEMÆRK: Hvis i-LIGHT skulle blive for varm, skifter enheden til ventetilstand. I ventetilstand, begynder de 5 LED-lamper på siden af håndstykket at lyse én efter én. Vent et par minutter, indtil enheden er kølet af. Du behøver ikke at slukke for enheden, da LED-lamperne stopper med at lyse, når enheden igen er klar til brug.

OFTE STILLEDE SPØRGSMAÅL

- Se en komplet liste med ofte stillede spørgsmål på (www.remington-ilight.com)

Spørgsmål: Hvilke områder af kroppen må jeg behandle med i-LIGHT?

Svar: Både mænd og kvinder kan bruge i-LIGHT på områder fra halsen og nedefter, også til benene, armhulerne, bikinilinjen, armene, brystet og ryggen. Kvinder kan desuden bruge i-LIGHT til behandling af ansigtsbehåring neden for kindbenene.

Spørgsmål: Hvilke risici indebærer i-LIGHT? Er det sikkert?

Det er dokumenteret, at i-LIGHT er sikker at bruge, men som med ethvert andet elektronisk apparat er det vigtigt, at du læser og følger brugsanvisningen og sikkerhedsadvarslerne.

Spørgsmål: Er i-LIGHT farlig for huden efter længere tids brug?

Svar: Der er ikke rapporteret om bivirkninger eller hudskader efter længere tids brug af intense lysimpulser (IPL).

Spørgsmål: Hvorfor gror mine hår på trods af behandlingerne?

Svar: Du vil ikke se resultater med det samme, og resultaterne kan variere fra person til person. De fleste brugere vil begynde at bemærke færre hår 1-2 uger, efter de er begyndt på behandlingen. I denne periode kan det se ud som om, hårene stadig vokser, men de bliver faktisk "skubbet ud". Hår vokser i en cyklus bestående af 3 faser, som varer mindst 18-24 måneder. Kun hår i den aktive vækstfase er modtagelige for behandling, og derfor er det nødvendigt at foretage adskillige behandlinger for at opnå optimale resultater. En anden årsag til den fortsatte vækst kan være, at du kommer til at springe over dette område under behandlingen. Fortsæt med at behandle området, når du bemærker, at hårene gror ud igen.

Spørgsmål: Hvorfor kan jeg ikke bruge i-LIGHT lige efter, at jeg har været udsat for sollys?

Svar: Sollys skaber et højt melaninniveau og udsætter huden for større risiko for forbrænding eller blærer efter behandling.

Spørgsmål: Skal jeg beskytte øjnene, når jeg bruger i-LIGHT?

Svar: Nej, i-LIGHT skader ikke øjnene. i-LIGHT har et sikkerhedssystem, der forhindrer utilsigtede blitz-udladninger, når enheden ikke er i kontakt med huden. Den lille mængde lys, som udsendes under behandlingen, svarer til mængden fra en kamerablitz og er ikke skadelig for øjnene.

De specialdesignede behandlingshoveder minimerer lækage forårsaget af lys.

Hvis lysrefleksionen er ubehagelig, kan du lukke øjnene inden hver blitz-udladning.

GENBRUG



For at undgå miljø- og sundhedsmæssige problemer forårsaget af farlige stoffer, må apparater og genopladelige og ikke-genopladelige batterier, der er mærket med et af disse symboler, ikke kasseres sammen med almindeligt husholdningsaffald. Udtjente elektriske og elektroniske produkter samt genopladelige og ikke-genopladelige batterier fra produkterne skal afleveres på en godkendt genbrugsplads eller indsamlingssted.



SVENSKA

Tack för att du köpt en ny Remington®-produkt. Läs följande bruksanvisningar noggrant före användning och förvara dem på säker plats. Ta bort allt förpackningsmaterial före användning.

VIKTIGA SÄKERHETSÅTGÄRDER

- Denna apparat bör inte användas av personer under 18 år, personer med nedsatt fysisk eller mental förmåga och med bristande erfarenheter och kunskaper, såvida de inte övervakas/instrueras att förstå vilka risker det kan innebära. Barn ska inte använda apparaten som leksak. Rengöring och underhåll får inte göras av personer under 18 år.
- Håll apparat och nätkabel borta från barn under åtta år.
- Använd inte apparaten om nätsladden är skadad. Ta kontakt med företagets internationella servicecenter för utbyte.
- ⊘ Apparatens huvuddel är inte vattentät och kan inte diskas. Lägg inte ned apparaten i vatten och använd den inte nära vatten i ett badkar, handfat eller annan vattenbehållare. Använd den inte heller utomhus.
- Denna produkt avger eventuellt farlig optisk strålning. Stirra inte på ljuskällan som kan vara skadlig för ögonen.
 - Denna apparat är endast avsedd för den användning som beskrivs i denna manual.
 - Använd inte apparaten om den är skadad eller fungerar dåligt.
 - Lämna inte apparaten utan uppsikt när den är inkopplad.
 - Låt inte stickkontakt och nätsladd komma i kontakt med varma ytor.
 - Använd inga andra tillbehör än de som medföljer.
 - Undvik att vrida och snurra på sladden.
 - Koppla inte in apparaten och dra inte ur nätsladden med våta händer.
 - Denna apparat är inte avsedd för kommersiellt bruk eller för salonger.

Innan du börjar använda i-LIGHT:

Läs alla varningar och säkerhetsinformationer. Kontrollera före användningen att behandling med i-LIGHT är lämplig för dig.

Använd hudtypskartan och hårkartan som finns i början av denna bruksanvisning samt den integrerade hudsensorn för att avgöra om behandlingen passar för dig (Fig 1).

WARNING: i-LIGHT är inte lämplig för användning på mycket mörk eller svart hud. i-LIGHT fungerar inte på ljust eller grått hår och är mindre effektiv på blont och rött hår.

För användning i ansiktet: Endast lämplig för kvinnors ansiktshår på kinder, polisonger, haka, hals och överläpp (Fig 2).

ANVÄND INTE på ögon, ögonbryn eller ögonfransar. Det kan orsaka allvarliga och permanenta ögonskador.

Hudtyp

- Används inte på naturligt mörk hud då resultatet kan bli brännskador, blåsor och färgförändringar på huden.
- Används inte på solbränd hud eller strax efter det att huden exponerats för sol då resultatet kan bli bränn- och hudskador.
- i-LIGHT har ingen effekt på naturligt vitt, grått, blont eller rött kropps- eller ansiktshår.

Partier som inte ska behandlas:

- Använd inte hårbotten eller öron.
- Använd inte ansikts- eller halsbehandling för män.
- Använd inte partiet över kindbenet (kvinnor).
- Använd inte bröstvårtor, huden i närheten av bröstvårtorna eller könsorganen.
- Använd inte partier med tatueringar eller permanent makeup.
- Använd inte mörkbruna eller svarta fläckar som hudfläckar, födelsemärken eller fräcknar.
- Använd inte nyopererade partier, partier som behandlats med djup peeling, laser eller liknande eller på partier med bränn- eller skållskador.

När du inte ska använda/vänta med att använda i-LIGHT:

- Använd INTE på solbränd hud. Huden kan vara för mörk på det avsedda behandlingsområdet eftersom behandling på solbränd hud tillfälligt kan orsaka hudsvullnad, blåsbildning eller hudfärgsförändringar. Vänta tills solbrännan bleknat innan du påbörjar behandlingen.
- Använd INTE på sminkade områden eftersom behandling på sådana områden tillfälligt kan orsaka hudsvullnad, blåsbildning eller hudfärgsförändringar. Ta först bort allt smink från avsett hudområde innan du påbörjar behandlingen.
- Använd INTE på samma område ett flertal gånger under samma behandlingstillfälle eftersom det tillfälligt kan orsaka hudsvullnad, blåsbildning eller hudfärgsförändringar.
- Använd INTE mer än en gång i veckan på något område eftersom det kan förstärka resultatet men också öka riskerna för hudsvullnader, blåsbildning eller hudfärgsförändringar.
- Använd INTE på skadad hud, öppna sår, munsår, solskador, eller om huden behandlas med peeling eller annan exfolierande behandling under de senaste 6–8 veckorna.
- Använd INTE på irriterad hud, hudutslag eller svullnad eftersom huden i sådana fall kan vara speciellt känslig. Vänta till huden är läkt innan du behandlar den med i-LIGHT REVEAL.
- Använd INTE på ljuskänslig hud. Ta reda på om det är lämpligt att du använder i-LIGHT genom att göra ett test på ett litet hudparti och vänta sedan 24 timmar för att vara säker på att det inte uppkommer några komplikationer innan du utför en större behandling.
- Använd INTE om du är gravid eller ammar. i-LIGHT har inte testats på gravida kvinnor. Hormonförändringar är vanliga under graviditet och amning och kan öka känsligheten och därmed risken för hudskador.
- Använd INTE på något annat område än huden.
- Använd INTE i-LIGHT för något annat ändamål än hårborttagning.
- Använd INTE på något område där du kanske senare vill ha hårväxt. Resultatet av hårborttagningen kan nämligen bli permanent och oåterkalleligt.
- Använd inte om du tidigare har haft munsår. Behandling med IPL eller annan behandling som kan verka irriterande på huden kan förorsaka återfall av munsår.
- Om du behandlats för hårborttagning med laser, IPL eller elektrolys, antingen professionellt, kliniskt eller på egen hand bör du vänta minst sex månader innan du använder i-LIGHT. Om du har vaxat, plockat eller epilerat hår inom behandlingsområdet bör du vänta minst sex veckor innan du använder i-LIGHT. Eftersom enheten använder håret under huden för att inaktivera håret vid rötterna fungerar inte metoden utan håret under huden.
- Använd inte över eller nära något konstgjort material som silikonimplantat, p-stav eller annan form av preventivmedelsimplantat, pacemakers, subkutana injektionsportar (insulinpump) eller piercingar.
- Även om inga problem i anslutning till användning av denna enhet har rapporterats vid studier, bör man följa alla varningsföreskrifter för aktiva implanterbara medicintekniska produkter vid användning av elektroniska enheter för att undvika eventuellt funktionsfel eller -avbrott gällande dessa produkter.
- Trådlös kommunikationsutrustning kan påverka i-LIGHT-enheten och sådan utrustning bör förvaras minst 3,3 m bort.
- Använd inte över eller nära metallfyllningar, tandimplantat eller tandställning.

**NYCKELFUNKTIONER (FIG 3)**

- | | |
|------------------------------------|-------------------------------------|
| 1. Strömbrytare | 10. Sladd till handenhet |
| 2. Nätuttag | 11. Ljusimpulsfönster |
| 3. Aggregat | 12. Hudkontaktsensorer |
| 4. Handenhet | 13. Tillbehör för kroppsbehandling |
| 5. ✦ Högeffektligt ljusimpulsknapp | 14. Tillbehör för ansiktsbehandling |
| 6. ✎ Känsligt läge ljusimpulsknapp | 15. Nätkabel |
| 7. ⚡ Expressläge ljusimpulsknapp | 16. Luddfri trasa |
| 8. Indikatorlampor | 17. Förvaringspåse (visas ej) |
| 9. Hudtonssensor | |

SVENSKA

KOMMA IGÅNG

Vik ut de främre och bakre sidorna av denna instruktionsmanual så att du kan titta på diagrammen medan du läser. Ha lite tålamod när du använder i-LIGHT de första gångerna. Det kan ofta ta lite tid att bli bekant med alla funktioner när det gäller en ny produkt. Ta god tid på dig att göra dig bekant med din i-LIGHT, för vi är säkra på att den i hög grad kommer att motsvara dina behov och att du kommer att ha stor glädje av den under många år.

LÄRA KÄNNA i-LIGHT

Vad är i-LIGHT?

i-LIGHT är ett revolutionerande ljusbaserat system för privat bruk som tar bort oönskad hårväxt på kroppen och i ansiktet.

i-LIGHT använder en kliniskt beprövad teknologi liknande den som professionella dermatologer och skönhetsalonger använder men anpassad för privat behandling.

Vad är intensivt pulserande ljus (IPL)? Hur fungerar i-LIGHT?

IPL– intensivt pulserande ljus är en väletablerad teknologi som har används över hela världen under mer än 15 år.

i-LIGHT använder denna teknologi för att med hjälp av en intensiv ljusimpuls behandla din hud.

Ljusimpulsen tas upp under ytterhuden, riktas mot hårrötterna och bidrar till att hejda tillväxten (fig. 4).

Effekten av ljusimpulserna är speciellt stark på mörka färger och mörkt hår.

i-LIGHT är avsedd för användning på ljusa, medelmörka och mörka hudtoner (hudtoner I-V).

Vad kan du förvänta dig av i-LIGHT?

Resultatet kommer inte omedelbart och det varierar från person till person. De flesta användare kommer att upptäcka att hårväxten avtar inom 1–2 veckor efter den första behandlingen. Under denna tid kan det se ut som om håret fortfarande växer men i själva verket håller hårväxten på att hejdas (fig. 5).

Hårstrån växer i en cykel med tre olika faser som varar 18–24 månader (fig. 6). Det är bara under den aktiva tillväxtfasen som håret är mottagligt för behandling och därför behövs det flera behandlingar för att uppnå bästa möjliga resultat.

Det är viktigt att man fortsätter med både den fullständiga behandlingen och kompletterande behandlingar för att vara säker på att varje aktivt hårstrå behandlats.

Behandlingsomgångar

En komplett behandling sker varannan vecka under tre behandlingar. Resultatet kan variera från person till person och det kan behövas flera behandlingar för bästa möjliga resultat. En viss hårtillväxt kan förekomma och då är hårstråna mindre täta, tunnare och ljusare än det ursprungliga håret. Denna återväxt är helt normal och vad man kan förvänta sig. Kompletterande behandlingar en gång var fjärde vecka efter den första kompletta behandlingen ger ännu bättre resultat. Kontinuerlig, regelbunden behandling var fjärde vecka ger goda resultat inom 8-12 veckor (mörka hudnyanser kan kräva längre tid). Använd inte oftare än varannan vecka. OBS! Undvik att behandla samma parti ett flertal gånger under samma behandlingstillfälle eftersom det inte ger bättre effekt men ökar risken för hudirritation.

LÄR KÄNNA DIN i-LIGHT-ENHET

Ljusimpulsfönster med inbyggt UV-filter (Fig 7)

VARNING: Kontrollera ljusimpulsfönstret före varje användning för att vara säker på att det inte finns någon skada på linsen.

VARNING: Rengör ljusimpulsfönstret med den luddfria trasan före varje användning för att vara säker på att det inte finns någon olja eller smuts på linsen.

Hudkontaktsensor (Fig 8)

Denna säkerhetsmekanism hindrar oavsiktliga ljusimpulser. Apparaten skickar inte ut ljusimpulser om inte båda hudkontaktsensorerna har fullständig kontakt med huden.

Högeffektläge, Känsligt läge och Expressläge (Fig 9)

Knapparna för Högeffektläge, Känsligt läge och Expressläge är alla placerade på handenheten.

Hudtonstestare (Fig 10)

Tillåter endast behandling på lämpliga hudtoner.

Tillbehör:

Kroppsbehandlingstillbehör för stora hudpartier nedanför halsen (Fig 11).

Precisionsbehandlingstillbehör för mindre ansiktsområden hos kvinnor, så som kinder, polisonger, haka, hals och överläpp (Fig 12).

Frigörning av tillbehör (Fig 13)

Ta tag i tillbehöret på de ställen som anges och dra bestämt rakt utåt för att frigöra behandlingstillbehöret. När man sätter tillbaka tillbehöret hjälper magneterna till att fixera det på plats.

BÖRJA ANVÄNDA i-LIGHT

FÖRBEREDA HUDEN FÖR BEHANDLING

- Kontrollera att partiet som ska behandlas är rent och fritt från olja, deodorant, parfym, makeup, lotion eller kräm. Raka eller trimma håret på det parti som ska behandlas, huden ska vara ren och torr.
- För ansiktsbehandling kanske du föredrar att trimma håret. I så fall bör håret trimmas mindre än 0,5 mm.
- Använd inte vaxning, epilering, borttagning med pincett eller andra metoder som tar bort hår från roten eftersom IPL inte fungerar om håret har dragits bort.

FÖRBEREDA i-LIGHT FÖR ANVÄNDNING

- Anslut nätsladden till vägguttaget.

KONTROLLERA DIN HUDTON

- För att avgöra om din hudton är lämplig för användning med enheten ska du jämföra din hud på de avsedda behandlingsområdena med Hudtonstabellen på framsidan av denna manual (Fig 1).
- Om din hud matchar någon av de ljusa, medelmörka eller mörka hudtonerna i Hudtonstabellen (I-V), kan du använda denna i-LIGHT-apparat.
- Om din hud på det avsedda behandlingsområdet matchar den mörkaste hudtonen i Hudtonstabellen ska du INTE använda apparaten (Hudton VI).
- Denna i-LIGHT har en inbyggd HUDTONSTESTARE på behandlingstillbehöret som är avsedd att förhindra oavsiktliga ljusimpulser på hud som är för mörk för att behandlas.
- Om din hud är lämplig för behandling kommer i-LIGHT att börja blinka och LED-lamporna på sidan av handenhetsen lyser vitt. Antal tända lampor anger din hudton.
- Om din hud är för mörk för behandling kommer du att få en ljusimpuls med låg energi, följt av fyra hörbara pip och en röd LED-lampa på sidan av handenhetsen.
- Om du anser att din hud är lämplig, baserat på Hudtonstabellen (Fig 1) men enheten blinkar och fyra pip hörs, ska du försöka med ett annat behandlingsområde.

TESTA i-LIGHT PÅ DIN HUD

Testa i-LIGHT på ett litet hudparti innan du använder hela behandlingen för första gången och vänta 24 timmar för att vara säker på att det inte uppkommer några komplikationer.

1. Placera i-LIGHT-apparatens handenhetsen mot huden så att ljusimpulsfönstret är i jämnhöjd med hudpartiet.
2. Kontrollera att Hudkontaktsensorerna är fullständigt aktiverade och att LED-lamporna lyser vitt.
3. Välj önskat läge och tryck på knappen för att aktivera en ljusimpuls.
TIPS: Ett lätt till måttligt obehag är normalt. Det kan vara bra att bara starta med Känsligt läge och byta till Högeffektläge när du känner dig bekväm med det.
4. Vänta 24 timmar och titta sedan på hudområdet som du har testat. Om det inte upptäcker några komplikationer kan du börja med din första hela behandling vid den energinivå som har känts rätt för dig.
OBS! Du måste testa enheten på varje område i ansiktet eller på kroppen som du vill behandla.

VÄLJ FUNKTIONSLÄGE

- Den integrerade HUDTONSTESTERN på behandlingstillbehöret ställer in lämplig effektnivå baserat på den hudton som uppmätts.



SVENSKA

- Denna i-LIGHT enhet har tre olika driftslägen, Högeffektläge (Full styrka), Känsligt läge och Expressläge. Enheten kommer att vara i Högeffektläge när den sätts PÅ. Den blinkar ungefär var tredje sekund i Högeffektläge och Känsligt läge och mindre än en sekund i Expressläge.

Högeffektläge

Högeffektläge (full styrka) ger de högsta effektnivåer som är lämpliga för dig. Detta läge är lämpligt för behandling av både större och mindre hudpartier och ger bättre resultat. Med Högeffektläge får du bäst hårborttagningsresultat med färre behandlingar, men det kan orsaka något mer obehag.

Känsligt läge

Känsligt läge är lämpligt för personer som tycker att Högeffektläget är för intensivt. Känsligt läge är ett mindre kraftfullt läge som passar personer som är känsliga för obehag men ändå vill avlägsna oönskad hårväxt. Med detta läge kan det krävas fler behandlingar innan man uppnår önskat resultat.

Expressläget

Expressläget är ett tidsbesparande alternativ för behandlingar. Med detta läge kan man behandla större hudpartier snabbare, men det kan vara mindre effektivt och fler behandlingar krävs innan man uppnår önskat resultat.

OBS: När enheten är på sätts den automatiskt i Högeffektläge (Full styrka).

- Om du vill välja ett annat läge ska du trycka på önskad knapp för att tända den.
- När du har bestämt dig och valt vilket driftsläge som passar dig bäst ska du placera behandlingsfönstret bestämt mot huden.
- Apparaten är nu redo att avge den första ljusimpulsen. För att välja bort Känsligt läge eller Expressläge behöver du bara trycka på den valda knappen igen för att återsätta apparaten i Högeffektläge med endast ljusknappen tänd.

BEHANDLING

BYTA TILLBEHÖR

- Din i-LIGHT levereras med två separata behandlingstillbehör:
- Kroppsbehandlingstillbehöret är avsett för användning på stora hudpartier där man vill avlägsna oönskat kroppshår.
- Precisionsbehandlingstillbehöret är avsett för användning på mindre områden, så som kvinnors ansiktshår, armhålor och bikiniområdet.

Byta tillbehör:

VARNING: Kontrollera alltid att apparaten är AV och nätkabeln urkopplad innan du tar bort Behandlingstillbehöret.

- Låt systemet svalna i fem minuter innan du försöker byta Behandlingstillbehör.
- 1. Slå av strömbrytaren och dra ut nätsladden från eluttaget.
- 2. Håll apparaten i ena handen samtidigt som du drar i Behandlingstillbehöret med andra handen (Fig. 13).
OBS: Behandlingstillbehören hålls på plats med hjälp av magneter och bör släppa enkelt.
TIPS: Förvara det Behandlingstillbehör som inte används på en säker plats (så som i förpackningen) och var försiktig så att inte ljusfönstret och andra komponenter skadas.
- 3. Tryck försiktigt tillbaka det andra Behandlingstillbehöret på apparaten tills det klickar på plats.

Hur behandlingen går till:

1. Håll ljusimpulsfönstret stadigt mot huden – kontrollera att hudkontaktsensorerna är fullständigt aktiverade. Om Hudkontaktsensorerna är i full kontakt kommer ljusknappen på apparaten att blinka vitt och LED-lamporna på sidan av handenhetsen tändas för att indikera att apparaten är redo att avge ljusimpulser.
OBS: Om Hudkontaktsensorerna INTE är i full kontakt med huden kommer apparaten inte att fungera om du trycker på ljusimpulsknappen och den "surrar". Dubbelkolla att Hudkontaktsensorerna är i full kontakt med huden.
2. Tryck på ljusimpulsknappen för att framkalla en ljusimpuls. Du kan förvänta dig att se en ljusblint (liknande en kamerablint) och du kommer att uppleva en lätt värmekänsla.
3. Gå till nästa parti och utför behandlingen i ett tänkt ruttmönster för att vara säker på att hela hudpartiet blir fullständigt behandlat.

- Enkelljusläge: Tryck in ljusimpulsknappen varje gång du flyttar apparaten till nästa hudparti.
- Flerljusläge: Håll fingret på ljusimpulsknappen hela tiden så att ljusimpulsknappen förblir nedtryckt och låt apparaten glida över nästa hudparti och se samtidigt till att hudkontaktsensorerna är fullständigt aktiverade. Nästa ljusimpuls avges efter tre sekunder (i Högeffektläge).
- Om du släpper upp ljusimpulsknappen eller om hudkontakten avbryts vid flerljusläge kan behandlingen helt enkelt återupptas genom att ovanstående steg utförs igen.

Ansiktsbehandling (endast för kvinnor)

Ansiktshår kan skilja sig mycket från kroppshår och huden i ansiktet är ofta ömtålig och utsätts i högre grad för strålning. Därför skiljer sig behandling av oönskad hårväxt i ansiktet från behandling av kroppen – Det är alltså mycket viktigt att läsa varnings- och säkerhetsföreskrifterna noggrant innan man påbörjar en ansiktsbehandling.

VIKTIGT: Precisionsbehandlingstillbehöret har utformats speciellt för att behandla de unika egenskaperna hos kvinnors ansiktshår. ANVÄND INTE Kroppsbehandlingstillbehöret på ansiktet. Se avsnittet "Byta tillbehör" för mer information. Precisionsbehandlingstillbehöret är endast avsett för användning på kvinnors ansiktshår på kinder, polisonger, haka, hals och överläpp. (Fig. 2).

Använd INTE för skägg eller ansiktshår hos män eftersom resultatet kan bli permanent eller ojämnt vilket kan förändra utseendet på ett oönskat sätt.



BEHANDLINGSRÅD

Kroppsbehandling

- Det bästa resultatet uppnås om man undviker att låta ljusimpulserna överlappa varandra. Då exponerar man inte huden för mer energi än vad som behövs för att hindra hårväxten och man använder ljuspatronen på bästa sätt. Det garanterar också att du får ut maximal användning av lampan.
- Det mest effektiva resultatet uppnås genom att använda en så hög intensitetsnivå som möjligt utan att det känns obehagligt på huden. Den nivå du använder ska kunna kännas varm på huden men ska inte kännas obehaglig.
- Du märker kanske att beniga partier som armbåge, smalben och vristen är mer ömtåliga vid behandling. Detta är normalt och bör inte ge anledning till oro. För att undvika problemet kan man försöka sträcka ut huden bort från det beniga partiet under behandlingen.

Ansiktsbehandling

- Prova först på ett litet hudparti – eftersom huden i ansiktet ofta är mer ömtålig bör man prova på ett litet hudparti innan man utför behandlingen. För närmare information se avsnittet "Pröva i-LIGHT-apparaten på huden".
- Titta i en spegel under behandlingen – om du tittar i en spegel får du en bättre överblick över det behandlade partiet och du kan undvika att komma i kontakt med läppar och andra mörka partier i ansiktet. Om ljuset som reflekteras känns obehagligt kan du blunda eller titta bort före varje ljusimpuls.
- Sträck ut huden för bättre hudkontakt – hudens konturer kan göra det svårare för hudkontaktsensorerna att få fullständig kontakt med vissa partier. Det kan bli lättare om man spänner ut överläppen över tänderna eller använder tungan för att spänna ut kinderna.

EFTERBEHANDLING

Efter behandlingen kan huden kännas varm och man kan se en lätt rodnad. Detta är normalt och kommer att avta snabbt. Med följande säkerhetsåtgärder undviker man att huden blir irriterad efter behandling:

- Undvik att exponera huden för solstrålning under 24 timmar efter behandlingen. Skydda huden med SPF 30 under två veckor efter behandlingen.
- Undvik att förlänga solexponering som till exempel solning, solarium eller användning av brun utan sol-produkter under minst två veckor efter den sista behandlingen.
- Håll det behandlade partiet rent och torrt för att huden ska få rätt vätskebalans.
- Man bör inte bada, duscha eller bada bastu om huden är röd eller överkänslig. Vänta tills huden återgår till sitt normala tillstånd.
- Använd inte någon form av depilering (vaxning, plockning, trådning eller krämer) under behandlingen – rakning är en möjlig metod men undvik rakning under 24 timmar efter behandlingen.
- Använd inte krämer med blekmedel eller parfymerade produkter under 24 timmar efter behandlingen.

SVENSKA

LAMPA MED 300 000 BLINKNINGAR

- Lampan levererar 300 000 blinkningar under sin livstid.
- Lampan i denna apparat har en garanterad hållbarhet under hela garantiperioden enligt garantibeviset som medföljer denna produkt.
- När lampan har nått 99 % av sin möjliga hållbarhet kommer en av LED-lamporna på sidan av handenheten lysa rött när apparaten tänds.
- När lampans livslängd är förbrukad kommer apparaten inte längre att kunna användas.

RENGÖRA I-LIGHT

◆ **VAR FÖRSIKTIG: Kontrollera att enheten är avstängd och att laddningskabeln är urkopplad från enheten innan du rengör din i-LIGHT.**

Regelbunden rengöring medverkar till att uppnå bästa möjliga resultat och ger enheten en längre livslängd.

- Rengör ljusimpulsfönstret med den luddfria trasan som medföljer produkten. Se till att det inte blir några repor eller hack på ljusimpulsfönstret eftersom sådana skador kan göra att enheten fungerar sämre.
- För svår borttagna fläckar på ljusimpulsfönstret – fukta en bomullspinne med lämpligt medel för elektronikrengöring, t.ex. rengöringssprit, stryk på och torka av med den medföljande luddfria trasan.
 - ◆ **VARNING:** Om ljusimpulsfönstret är sprucket eller trasigt får enheten inte användas. Skrapa inte filterglaset eller metallytan inuti behandlingsdelen.
 - ◆ **VAR FÖRSIKTIG:** i-LIGHT är en apparat med hög spänning. Sänk inte ned den i vatten. Rengör inte enheten eller någon del av den under kranen eller i diskvatten.

Förvaring

Slå av apparaten, dra ur sladden och låt apparaten svalna i tio minuter före förvaring.

FELSÖKNING

- Läs instruktionerna i sin helhet innan du använder i-LIGHT.
- Använd denna felsökning som referens om det uppkommer några problem eftersom felsökningsavsnittet visar på de vanligaste problemen som man kan stöta på vid användning av i-LIGHT. Om du fortsatt har problem trots att du har följt instruktionerna i detta avsnitt bör du kontakta Remington®-servicecenter för mer hjälp.

Jag har slagit på strömbrytaren men apparaten fungerar inte.

- Kontrollera att apparaten är kopplad till ett fungerande eluttag.
- Försök med att använda ett annat eluttag.

Det verkar som om apparaten är sprucken eller är trasig.

- Använd inte apparaten om den är skadad. Om du är tveksam bör du vänta med att använda apparaten och kontakta Remington®-servicecenter för mer hjälp.

Jag har satt PÅ apparaten men kan inte ändra Läge

- Stäng av apparaten, vänta några sekunder, slå sedan på apparaten och försök att ställa in den igen.

Det luktar konstigt.

- Kontrollera att det parti som ska behandlas är fullständigt rakat före användningen.

Det behandlade partiet blir rött efter behandlingen.

- Det är normalt och rodnaden bör avta. Om den inte gör det kan du försöka med att byta till Känsligt läge. OBS: Om din i-LIGHT blir överhettad sätts den i vänteläge. I vänteläge börjar de fem LED-lamporna på sidan av handenheten att tändas en i taget. Vänta i några minuter och låt handenheten svalna. Man behöver inte stänga av apparaten, LED-lamporna släcks när den är klar att användas igen.

VANLIGA FRÅGOR OCH SVAR

- En fullständig förteckning över alla vanliga frågor och svar finns på (www.remington-ilight.com)

Fråga: Vilka kroppspartier kan jag behandla med i-LIGHT?

Svar: i-LIGHT kan användas av både män och kvinnor för partierna under halsen, inberäknat ben, underarmar, bikinilinj, armar, bröstkorg och rygg. Kvinnor kan också använda i-LIGHT för hårborttagning i ansiktet under kindbenet.

Fråga: Vilka risker finns det med i-LIGHT? Är det en säker metod?

i-LIGHT är bevisat säker och effektiv, men som med alla elektriska apparater är det viktigt att läsa och följa bruksanvisningarna och säkerhetsvarningarna.

Fråga: är behandling med IPL skadlig för huden vid långvarig användning?

Svar: Det finns inga rapporter om biverkningar eller hudskador på grund av långvarig användning av ljusimpulsbehandling (IPL).

Fråga: Varför växer håret trots behandlingen?

Svar: Resultatet kommer inte omedelbart och det varierar från person till person. De flesta användare kommer att upptäcka att hårväxten avtar inom 1–2 veckor efter den första behandlingen. Under denna tid kan det se ut som om håret fortfarande växer, men i själva verket håller hårväxten på att hejdas.

Hårstrån växer i en cykel med tre olika faser som varar 18–24 månader. Det är bara under den aktiva tillväxtfasen som håret är mottagligt för behandling och därför behövs det åtskilliga behandlingar för att uppnå bästa möjliga resultat. En annan orsak till att håret fortsätter att växa kan vara att man missade något parti vid behandlingen. Upprepa behandlingen när du märker att håret kommer tillbaka.

Fråga: Varför kan jag inte använda i-LIGHT strax efter det att huden utsatts för solstrålning?

Svar: Vid solstrålning utvecklas höga melaninnivåer och det utsätter huden för en högre risk för brännskador eller blåsor efter behandling.

Fråga: Behöver jag skydda ögonen när jag använder i-LIGHT?

Svar: Nej, i-LIGHT skadar inte ögonen. i-LIGHT har en säkerhetsmekanism som hindrar oavsiktliga ljusimpulser när apparaten inte har kontakt med huden. Den lilla mängd ljus som utsänds vid behandlingen är jämförbar med ljusstrålningen från en kamerablixt och skadar inte ögonen.

De speciellt utformade behandlingstillbehöret minimerar ljusläckaget.

Om ljuset som reflekteras känns obehagligt kan du blunda eller titta bort före varje ljusimpuls.

ÅTERVINNING



För att undvika miljö- och hälsoproblem pga. farliga ämnen får man inte kassera apparater eller laddningsbara och icke-laddningsbara batterier märkta med någon av dessa symboler i osorterat kommunalt avfall. Elektriska och elektroniska produkter och, där tillämpligt, laddningsbara och icke-laddningsbara batterier ska alltid kasseras vid en lämplig, officiell återvinnings-/ uppsamlingsstation.



SUOMI

Kiitos, että valitsit tämän uuden Remington®-tuotteen. Lue ohjeet huolellisesti ja pidä ne tallessa. Poista kaikki pakkausmateriaali ennen käyttöä.

TÄRKEITÄ TURVALLISUUSOHJEITA

- Laitetta ei saa käyttää alle 18-vuotias, ja henkilöt, joilla on rajoitettu fyysinen, aistinvarainen, henkinen ominaisuus tai kokemuksen ja tiedon puute saavat käyttää tätä laitetta ainoastaan, jos heitä valvotaan tai heitä on opastettu laitteen turvalliseen käyttöön ja he ymmärtävät laitteen käytössä esiintyvät vaarat. Lapset eivät saa leikkiä laitteella. Puhdistusta ja muuta huoltoa ei saa tehdä alle 18-vuotias henkilö.
- Lapset eivät saa suorittaa puhdistamista ja käyttäjän huoltotoimenpiteitä ilman valvontaa.
- Älä käytä laitetta, jos virtajohto on vaurioitunut. Uuden virtajohdon saa kansainvälisten palvelukeskustemme kautta.
- ⚠ Laitteen runko ei ole pestävä tai vedenpitävä. Älä upota laitetta mihinkään nesteeseen; älä käytä laitetta ammeessa, pesualtaassa tai muussa astiassa olevan veden lähellä; älä käytä laitetta ulkona.
- Tuote säteilee mahdollisesti vaarallista optista säteilyä. Älä katso suoraan valonlähteeseen. Se voi vahingoittaa silmiä.
- Käytä tätä laitetta ainoastaan tässä käyttöoppaassa kuvattuun tarkoitukseen.
- Älä käytä laitetta, jos se on vaurioitunut tai siinä on toimintahäiriöitä.
- Älä jätä laitetta ilman valvontaa, kun se on kytketty sähköverkkoon.
- Pidä pistoke ja virtajohto etäällä kuumista pinnoista.
- Älä käytä muita kuin suosittelimiamme lisäosia.
- Älä väännä tai taivuta johtoa, äläkä kierrä sitä laitteen ympärille.
- Älä kytke laitetta verkkovirtaan tai irrota sitä siitä märin käsin.
- Laitetta ei ole tarkoitettu ammattikäyttöön.

Ennen i-LIGHT -laitteen käyttöä:

Lue kaikki varoitukset ja turvatiedot. Tarkista ennen käyttöä, että i-LIGHT soveltuu sinulle.

Käytä tämän käyttöoppaan kannessa olevaa iho- ja ihokarvakarttaa ja sisäänrakennettua ihoanturia selvittääksesi soveltuuko laite sinulle (kuva 1).

VAROITUS: i-LIGHT ei sovellu hyvin tummalle tai mustalle iholle. i-LIGHT ei ole tehokas valkoiselle tai harmaalle ihokarvalle, ja se on tehottomampi vaalealle ja punaiselle ihokarvalle.

Käyttö kasvovoihin: soveltuu ainoastaan naisten kasvojen ihokarvoille poskissa, pulisongeissa, leuassa, kaulan alueella ja huulten yläpuolella (kuva 2)

ÄLÄ käytä silmiin, kulmakarvoihin tai silmäripsiin. Se voi aiheuttaa vakavan ja pysyvän silmävaurion

Ihotyyppi

- Älä käytä luonnostaan tummille ihotyypeille, koska laite saattaa aiheuttaa palovammoja, rakkuloita ja ihon värimuutoksia.
- Älä käytä ruskettuneelle iholle tai välittömästi ihon auringolle altistumisen jälkeen, koska tämä saattaa aiheuttaa palovammoja tai ihovaurioita.
- iLight ei ole tehokas luonnostaan valkoisten, harmaiden, vaaleiden tai punaisten ihokarvojen kohdalla.

Älä käsittele seuraavia alueita:

- Älä käytä päänahkaan tai korviin.
- Älä käytä miesten kasvoihin tai niskaan.
- Älä käytä poskipään yläpuolelle (naisten).
- Älä käytä nännien, nännipihan tai sukupuolielinten karvojen poistoon.
- Älä käytä, jos käsiteltävällä alueella on tatuointeja tai pysyvä meikki.
- Älä käytä tummanruskeiden tai mustien läikien, kuten luomien, syntymämerkkien tai pisamien alueella.
- Älä käytä alueilla, joille on hiljattain tehty leikkaus, syväkuorinta tai laserhoito tai joilla on palovammoja tai arpia.

i-LIGHT -laitetta ei saa käyttää/sen käyttöä tulee välttää seuraavissa tapauksissa

- ÄLÄ käytä ruskettuneelle iholle, koska ihosi saattaa olla liian tumma, ja ruskettuneiden alueiden käsittely saattaa aiheuttaa ihon turvotusta, rakkuloita ja ihon värimuutoksia. Odota kunnes rusketus on vaalentunut,
- ÄLÄ käytä ihoalueille, joilla on kosmetiikkaa, koska tällaisten ihoalueiden käsittely saattaa aiheuttaa ihon ohimenevää turvotusta, rakkuloita tai ihon värimuutoksia. Varmista, että puhdistat suunnitellun käsittelyalueen huolellisesti ennen käsittelyä.
- ÄLÄ käsittele samaa kohtaa useampaa kertaa yhden käsittelyn aikana, koska se saattaa aiheuttaa ihon ohimenevää turvotusta, rakkuloita ja ihon värimuutoksia.
- ÄLÄ käsittele samaa ihoaluetta useamman kuin yhden kerran saman käsittelyn aikana, koska se ei paranna tehoa, vaan lisää riskejä ihon turvotukseen, rakkuloihin ja ihon värimuutoksiin.
- ÄLÄ käytä vaurioituneelle iholle, mukaan lukien avohaavat, huuliherpes, auringon polttama iho tai alueet, joihin on tehty ihokuorinta tai muu ihon pintakäsittely viimeisten 6–8 viikon aikana.
- ÄLÄ käytä ärtyneelle iholle, tulehtuneille alueille tai turvonneelle iholle. Nämä tilat voivat tehdä ihosta herkemmän. Odota ihoalueen parantumista ennen käyttämistä.
- ÄLÄ käytä, jos ihosi on valoherkkä. Voit kokeilla soveltuuko i-LIGHT sinulle tekemällä testin pienelle ihoalueelle ennen laajempaa käyttöä ja odottamalla 24 tuntia mahdollisten haittavaikutusten ilmestymistä.
- ÄLÄ käytä, jos olet tai saatat olla raskaana tai imetät. i-LIGHT -laitetta ei ole tutkittu raskaana olevilla naisilla. Hormonaaliset vaihtelut ovat yleisiä raskauden ja imetyksen aikana, ja ne saattavat lisätä ihon herkkyyttä ja ihovaurioiden riskiä.
- ÄLÄ käytä muulle kuin iholle.
- ÄLÄ käytä i-LIGHT-laitetta mihinkään muuhun tarkoitukseen kuin ihokarvojen poistoon.
- ÄLÄ käytä alueille, joille haluat karvan kasvavan takaisin tulevaisuudessa. Tulokset voivat olla pysyviä ja peruuttamattomia.
- Älä käytä kasvoille, jos sinulla on ollut huuliherpes; IPL:n tai muun ihoa ärsyttävän käsittelyn käyttö saattaa uusia huuliherpeksen.
- Jos sinulle on tehty ammattimainen tai kliininen laser- tai IPL-hoito tai elektrolyysikarvanpoisto, odota vähintään 6 kuukautta ennen i-LIGHT -laitteen käyttämistä. Jos olet vahannut, nyppinyt tai käyttänyt epilaattoria käsittelyalueella, odota vähintään 6 viikkoa ennen i-LIGHT -laitteen käyttämistä. Käsittely kohdistuu ihon alla olevaan karvatuppeen, eikä ole tehokasta, jos karva on nypitty pois.
- Älä käytä minkään keinotekoisien implanttien, kuten silikoni-implanttien, Implanon-ehkäisyimplanttien, sydämentahdistimien, ihonalaisten injektioporttien (insuliiniannostelija) tai lävistyskorujen päällä tai niiden lähellä.
- Vaikka mitään ongelmia tämän laitteen käytössä ei ole raportoitu tutkimusten aikana, on suositeltavaa noudattaa kaikkia implantoitujen laitteiden varoituksia sähkölaitteiden käytöstä, jotta vältetään implantoidun laitteen toimintahäiriö tai toiminnan keskeytyminen.
- Langattomat viestintävälineet saattavat vaikuttaa i-LIGHT -laitteeseen ja ne tulisi pitää 3,3 metrin etäisyydelle siitä.
- Älä käytä metallipaikkojen, hammasimplanttien tai hammasrautojen päällä tai niiden lähellä.

FI

TÄRKEIMMÄT OMINAISUUDET (KUVA 3)

- | | |
|---------------------------------------------|------------------------------------|
| 1. Virtakytkin | 10. Käsikappaleen virtajohto |
| 2. Virtaliitäntä | 11. Valoimpulssi-ikkuna |
| 3. Verkkolaite | 12. Ihokosketusanturit |
| 4. Käsikappale | 13. Käsittelyosa vartalolle |
| 5. ✦ Tehotila valoimpulssipainike | 14. Käsittelyosa kasvoille |
| 6. ✎ Hellävarainen tila valoimpulssipainike | 15. Virtajohto |
| 7. ⚡ Pikatila valoimpulssipainike | 16. Nukkaamaton liina |
| 8. LED-merkkivalot | 17. Säilytyspussi (ei näy kuvassa) |
| 9. Ihon värisävyanturi | |

SUOMI

ALOITUSOPAS

Taita käyttöoppaan etu- ja takasivu auki, jotta näet kaaviokuvat lukemisen aikana. Ole kärsivällinen, kun aloitat i-LIGHT-laitteen käyttämisen. Kuten kaikkien uusien tuotteiden kanssa, tuotteeseen tutustumiseen saattaa kulua hieman aikaa. Varaa aikaa uuteen i-LIGHT-laitteeseen perehtymiseen, sillä olemme varmoja, että nautit sen käytöstä ja olet tyytyväinen laitteeseen monen vuoden ajan.

i-LIGHT-LAITTEESEEN TUTUSTUMINEN

Mikä on i-LIGHT?

iLight -järjestelmä on mullistava valoon perustuva laite, joka on suunniteltu epätoivotun karvoituksen poistoon kotiolosuhteissa vartalon alueelta ja naisten kasvojen alueelta.

i-LIGHT käyttää samaa kliinisesti tutkittua tekniikkaa kuin ihotautilääkärit ja kauneussalongit, mutta optimoituina henkilökohtaiseen käyttöön.

Mikä on Intense Pulse Light (IPL) ja kuinka i-LIGHT toimii?

IPL (Intense Pulsed Light) on vakiintunut tekniikka, jota on käytetty maailmanlaajuisesti yli 15 vuotta. i-LIGHT käyttää tätä tekniikkaa ja lähettää iholle nopeita intensiivisiä valoimpulsseja.

Impulssi vaikuttaa ihonalaisesti ja kohdistuu karvatuppeen estäen karvankasvua (kuva 4)

Valopulssin energia kohdistuu tummaan väriin ja toimii parhaiten tummempien karvojen poistoon.

i-LIGHT on tarkoitettu vaaleille, keskivaaleille ja tummille ihosävyille (ihosävyt I-V).

Minkälaisia tuloksia voit odottaa i-LIGHT -laitteelta?

Tulokset eivät näy heti, yksilöllisiä eroja esiintyy. Useimmat käyttäjät huomaavat karvoituksen vähentyneen 1–2 viikon kuluttua käsittelyn aloittamisesta. Tänä aikana voi vaikuttaa siltä, että karvaa kasvaa edelleen, mutta todellisuudessa se "työntyy ulos" (kuva 5).

Ihokarvat kasvavat 3 eri vaihetta sisältävissä jaksoissa, jotka kestävät 18–24 kuukautta (kuva 6). Vain aktiivisessa kasvuvaiheessa olevat ihokarvat ovat otollisia käsittelylle, ja tämän takia optimaalinen tulos vaatii useamman käsittelyn. On tärkeää jatkaa koko käsittelyohjelmaa ja lisähoidot, jotta varmistetaan jokaisen karvan käsittely.

Käsittelyohjelma

Täysi käsittelyohjelma on kerran kahdessa viikossa kolme käsittelyä. Yksilölliset tulokset saattavat vaihdella, joten optimaalinen tulos saattaa vaatia useita käsittelyjä. Tilalle kasvaa harvempia, hienompia ja väriltään vaaleampia karvoja kuin alkuperäiset. Tällainen karvan kasvu on täysin normaalia ja odotettavissa olevaa. Täyden käsittelyohjelman jälkeen tehtävät lisäkäsittelyt kerran neljässä viikossa takaavat vielä paremmat tulokset. Jatkuva säännöllinen ja viikoittainen käsittely tuo hyviä tuloksia 8–12 viikon sisällä (tummemmat ihosävyt voivat vaatia enemmän aikaa). Älä käytä useammin kuin kerran kahdessa viikossa. HUOMAUTUS: Vältä yhden alueen käsittelyä useaan kertaan saman käsittelykerran aikana, se ei paranna tulosta vaan lisää ihoärsytysten vaaraa.

i-LIGHT-LAITTEESEEN TUTUSTUMINEN

Valoimpulssi-ikkuna, jossa on sisäänrakennettu UV-suodatin (kuva 7)

VAROITUS: tarkista aina ennen laitteen käyttöä, ettei valoimpulssi-ikkunassa ole vaurioita.

VAROITUS: puhdista valoimpulssi-ikkuna aina ennen käyttöä mukana tulevalla nukkaamattomalla liinalla, jottei linssissä ole öljyä tai käsittelyjätteitä.

Ihokosketusanturi (kuva 8)

Tämä turvamekanismi estää tahattomat valoimpulssit. Laite ei anna valoimpulsseja, jos kumpikin ihokosketusanturi ei ole kunnolla ihoa vasten.

Tehotila, hellävarainen tila ja pikatila (kuva 9)

Tehotilan, hellävaraisen tilan ja pikatilan painikkeet sijaitsevat kaikki käsikappaleessa.

Ihosävytesteri (kuva 10)

Sallii käytön vain sopivilla ihon värisävyillä.

Lisäosat:

Vartalon käsittelyosa kaulan alapuolella oleviin isoihin alueisiin (kuva 11).

Tarkka käsittelyosa naisten kasvojen pienempiin alueisiin, kuten posket, pulisongit, leuka, kaulan alue ja huulten yläpuoli (kuva 12).

Lisäosan vapauttaminen (kuva 13)

Tartu käsittelyosaan merkityistä kohdista ja vedä siitä suoraan ulospäin käsittelyosan vapauttamiseksi. Kun asetat käsittelyosan, magneetit auttavat sen asettamisessa paikalleen.

VALMISTELU ENNEN KÄYTTÖÄ

IHON VALMISTELU KÄSITTELYÄ VARTEN

- Varmista, että käsiteltävä ihoalue on puhdas, eikä siinä ole öljyä, deodoranttia, hajuvettä, meikkiä eikä voiteita. Aja tai leikkaa ihokarvat käsiteltävältä alueelta ja varmista, että iho on puhdas ja kuiva.
- Kasvoille käytettäessä haluat ehkä leikata karvat. Jos leikkaat, karvat täytyy leikata alle 0,5 mm pituuteen.
- Älä käytä vahaa, epilaatiota, pinsettejä tai muita menetelmiä ihokarvojen poistamiseksi juuresta saakka, koska IPL ei tehoa, jos ihokarvat on vedetty ulos.

VALMISTELE I-LIGHT KÄSITTELYÄ VARTEN

- Yhdistä virtajohto seinäpistorasiaan.

TARKISTA IHOSI VÄRISÄVY

- Voit kokeilla sopiiko laite käytettäväksi ihosävyillesi vertaamalla aiotun käsittelyalueen ihoa käyttöoppaan kannessa olevaan ihosävykarttaan (kuva 1).
- Voit käyttää tätä i-LIGHT-laitetta, jos ihosi vastaa joko vaaleaa, keskivaaleaa tai tummaa ihosävyä (Skin Tone) ihosävykartassa (I-V).
- Jos ihosi aiottu käsittelyalue vastaa ihosävykartan tummintaa ihosävyä, ÄLÄ käytä laitetta (ihosävy VI Skin Tone VI)).
- Tässä i-LIGHT-laitteessa on sisäänrakennettu IHOSÄVYTESTERI käsittelyosassa, joka on suunniteltu auttamaan tahattoman valoimpulssin estämisessä käsittelyyn liian tummalle iholle.
- Jos ihosi soveltuu käsiteltäväksi, i-LIGHT antaa valoimpulssin ja käsikappaleen sivussa olevat LED-valot palavat valkoisina. Palavien valojen määrä ilmaisee ihosävysi.
- Jos ihosi on liian tumma käsiteltäväksi, saat pienienergisien valoimpulssin, jota seuraa neljä merkkiääntä ja punainen LED palaa käsikappaleen sivussa.
- Jos ihosi pitäisi ihosävykartan (kuva 1) mukaan soveltua, mutta laite vilkkuu ja siitä kuuluu neljä äänimerkkiä, kokeile toista käsittelyaluetta.

TESTAA I-LIGHT IHOLLASI

Ennen ensimmäistä laajempaa käyttöä, testaa i-LIGHT -laite pienellä ihoalueella, ja odota 24 tuntia varmistaaksesi, että et saa haittavaikutuksia.

1. Aseta i-LIGHT-käsikappale ihoasi vasten siten, että valoimpulssi-ikkuna on ihon pinnan tasossa.
2. Varmista, että ihokosketusanturit ovat tiiviisti ihoa vasten ja LED-valot palavat valkoisina.
3. Valitse haluamasi tila ja tuota valoimpulssi painamalla painiketta.
VIHJE: Lievä tai kohtalainen epämukavuus on normaalia, joten saatat haluta aloittaa hellävaraisella asetuksella ja siirtyä tehotilaan vasta, kun se tuntuu siedettävältä.
4. Odota 24 tuntia ja tarkasta testialue. Jos iho näyttää normaalilta, voit tehdä ensimmäisen täydellisen käsittelyn itsellesi sopivimmalla tehotasolla.
HUOMAUTUS: Sinun täytyy testata laite jokaisella kasvojen tai vartalon alueella, jonka haluat käsitellä.

TOIMINTATILAN VALINTA

- Käsittelypään sisäänrakennettu IHOSÄVYTESTERI asettaa asianmukaisen tehotason jokaiseen rekisteröityyn ihosävyyyn.
- i-LIGHT-laitteessa on 3 erilaista toimintatilaa, tehotila (täysi teho), hellävarainen tila ja pikatila. Laite on tehotilassa, kun se kytketään PÄÄLLE. Laite antaa valoimpulssin noin 3 sekunnin välein tehotilassa ja hellävaraisessa tilassa sekä alle 1 sekunnin välein pikatilassa.

SUOMI

Tehotila

Tehotila (täysi teho) antaa korkeimmat tehotasot, jotka soveltuvat sinulle. Tämä tila on ihanteellinen sekä isompien että pienempien alueiden käsittelyyn ja antaa parhaimmat tulokset. Tehotilalla saat parhaat ihokarvojen poistotulokset pienemmällä käsittelymäärällä, mutta se saattaa olla epämukavaa.

Hellävarainen

Hellävarainen tila on niille, joiden mielestä tehotila on liian voimakas. Hellävarainen tila on tehottomampi asetus niille, jotka ovat herkkiä epämukavuudelle, mutta haluavat kuitenkin poistaa epätoivotut ihokarvat. Tällä asetuksella voi joutua tekemään useampia käsittelyjä haluttujen tulosten saavuttamiseksi.

Pikatila

Pikatila antaa käyttäjälle aikaystävällisen vaihtoehdon käsittelyihin. Voit käsitellä isompia alueita tällä tilalla nopeammin, mutta se voi olla tehottomampi ja vaatia useita käsittelyjä haluttujen tulosten saavuttamiseksi.

HUOMAUTUS: aina kun laite kytketään päälle oletusasetuksena on automaattisesti Tehotila (täysi teho).

- Jos haluat valita vaihtoehdoisen tilan, sytytä valo haluamaasi painikkeeseen painamalla sitä.
- Kun olet päättänyt ja valinnut itsellesi oikean toimintatilan, aseta käsittelyikkuna tiiviisti ihoasi vasten.
- Laite on nyt valmis laukaisemaan ensimmäisen valoimpulssin. Voit poistaa hellävaraisen tilan tai pikatilan valinnan painamalla valittua painiketta uudelleen. Laite palaa takaisin tehotilaan, jolloin vain valoimpulssipainike palaa.

KÄSITTELY

LISÄOSIEN VAIHTAMINEN

- i-LIGHT-laitteen mukana tulee kaksi erillistä käsittelyosaa:
- Vartalon käsittelyosa on tarkoitettu isommille alueille, kuten vartalon ihokarvoille.
- Tarkka Käsittelypää on tarkoitettu pienille alueille, kuten naisten kasvojen, kainaloiden ja bikinialueen karvoille.

Lisäosien vaihtaminen:

VAROITUS: varmista, että laite on kytketty POIS päältä ja virtajohto on irrotettu pistorasiasta ennen kuin irrotat käsittelyosan.

- Anna järjestelmän jäähtyä 5 minuuttia ennen kuin vaihdat käsittelypäitä.
- 1. Kytke virta pois päältä ja irrota virtajohto pistorasiasta.
- 2. Pidä laitetta toisella kädellä samalla kun vedät varovasti käsittelyosaa toisella kädellä (kuva 13).
HUOMAUTUS: käsittelypäät pysyvät laitteessa magneettisesti, ja ne on helppo vetää irti.
VIHJE: säilytä käyttämätön käsittelypää turvallisessa paikassa (kuten pakkauksessaan) ja varo valoimpulssi-ikkunan tai muiden osien vaurioitumista.
- 3. Työnnä toinen käsittelypää varovasti takaisin laitteeseen, ja varmista, että se napsahtaa paikalleen.

Käsittelyohje:

1. Aseta valoimpulssi-ikkuna tiiviisti ihoa vasten. Varmista, että ihokosketusanturit ovat ihossa kiinni. Jos ihokosketusanturit ovat tiiviisti ihoa vasten, laitteen valoimpulssipainike välähtelee valkoisena ja käsikappaleen sivussa olevat LED-valot syttyvät ilmaisten laitteen olevan valmis valoimpulssien antamiseen.
HUOMAUTUS: jos ihokosketusanturit EIVÄT ole täysin ihossa kiinni, laite ei toimi, kun painat valoimpulssipainiketta ja siitä kuuluu summeriääni. Tarkasta vielä uudelleen, että ihokosketusanturit ovat täysin ihossa kiinni.
2. Tuota valoimpulssi painamalla valoimpulssipainiketta. Näet välähtävän valon (samanlaisen kuin kameran salamavalon), ja sinun pitäisi tuntea kevyt lämmin kosketus.
3. Siirry seuraavalle alueelle ristikkokuvion mukaisesti, jotta varmistat jokaisen alueen käsittelyn.
 - Single-Flash-tilassa painetaan valoimpulssipainiketta joka kerta, kun siirrytään uudelle alueelle.
 - Multi-Flash-tilassa pidä valoimpulssipainike sormella painettuna ja liu'uta laite seuraavalle alueelle varmistaen, että ihokosketusanturit koskettavat ihoa. Seuraava välähdys tulee automaattisesti 3 sekunnin kuluttua (täyden tehon tilassa).
 - Jos päästät valoimpulssipainikkeen ylös Multi-Flash-tilassa tai menetät ihokosketuksen, aloita käsittely uudelleen ja toista edellä kuvatut vaiheet.

Kasvojen käsittely (vain naisille)

Kasvojen ihokarvat voivat olla aivan toisenlaisia kuin muualla kehossa olevat ihokarvat, ja kasvojen iho on herkempi ja todennäköisemmin auringon säteilylle altistuva; tästä syystä epätoivottujen ihokarvojen käsittely kasvojen alueelta eroaa vartalon ihokarvojen käsittelystä. Lue varoitukset ja turvaohjeet ennen kasvojen käsittelemistä.

TÄRKEÄÄ: Tarkka käsittelypää on erityissuunniteltu naisten kasvojen karvojen erityisominaisuuksien käsittelyyn. ÄLÄ käytä vartalon käsittelypäästä kasvoihin. Katso lisätietoja kohdasta "Lisäosien vaihtaminen".

Tarkka käsittelyosa on tarkoitettu ainoastaan naisten kasvojen ihokarvoihin poskissa, pulisongeissa, leuassa, kaulan alueella ja huulten yläpuolella. (Kuva 2).

ÄLÄ käytä miesten parrankasvuun tai miesten kasvojen karvoihin, koska tulokset voivat olla pysyviä ja epätasaisia, mikä voi johtaa epätoivottuihin muutoksiin.

KÄSITTELYVINKKEJÄ

Vartalon käsittely

- Parhaimman tuloksen saamiseksi vältä limittäisiä valoimpulsseja. Näin vältät käyttämästä suurempaa tehoa kuin mitä karvan kasvun estämistä varten tarvitaan. Se varmistaa myös, että saat parhaimman hyödyn lampusta.
- Tehokkaiden vaikutusten aikaansaamiseksi, käytä aina korkeinta tehoa, joka ei ärsytä ihoasi. Tämän tehotason pitäisi tuntua lämpöiseltä ihollasi, mutta sen ei pitäisi aiheuttaa epämukavuutta.
- Saatat huomata, että luiset alueet, kuten kyynärpäät, sääret ja nilkat ovat herkempiä käsittelylle. Tämä on normaalia, eikä vaadi mitään toimenpiteitä. Vältäaksesi tämän voit yrittää venyttää luisten alueiden ihoa käsittelyn aikana.

FI

Kasvojen käsittely

- Testaa pienellä ihonalueella – kasvojen iho on yleensä herkempi, joten muista testata pienellä alueella ennen käsittelyn aloittamista. Katso lisätietoja kohdasta "i-LIGHT-laitteen testaaminen iholla".
- Käytä peiliä apuna käsittelyssä – peilin avulla näet hyvin koko käsiteltävän alueen, ja se auttaa sinua välttämään huulten tai muiden tummien kohtien käsittelyä. Jos heijastuva valo on epämiellyttävä, voit sulkea silmäsi ennen jokaista välähdystä.
- Saat paremman ihokosketuksen venyttämällä ihoa, ihon juonteet voivat vaikeuttaa anturin ihokosketusta joillakin alueilla. Käyttö on ehkä helpompaa, jos käännät ylähuulen hampaiden päälle tai käytät kielitä poskien venyttämiseen.

JÄLKIKÄSITTELY

Käsittelyn jälkeen iho saattaa punoittaa jonkin verran tai tuntua normaalia lämpöisemmältä. Tämä on normaalia ja häviää nopeasti. Ihoärsytyksen välttämiseksi käsittelyn jälkeen, huomioi seuraavat varotoimenpiteet:

- Vältä altistumista auringolle 24 tunnin ajan käsittelyn jälkeen. Suojaa ihoa aurinkosuojaikertomella 30 kaksi viikon ajan kunkin käsittelyn jälkeen.
- Älä tehosta auringolle altistumista ottamalla aurinkoa, käymällä solariumissa tai käyttämällä itseruskettavia aineita vähintään 2 viikkoon viimeisen käsittelyn jälkeen.
- Pidä käsitelty ihoalue puhtaana ja kuivana käsittelyn jälkeen pitääksesi ihon kosteutettuna.
- Älä mene kuumaan kylpyyn, suihkuun tai höyryhuoneisiin tai saunoihin ennen kuin punoitus tai ihon herkkyys on palautunut normaaliksi.
- Älä poista ihokarvoja (vahaamalla, nyppimällä, kiertämällä tai voiteilla) käsittelyn aikana – ihokarvojen ajaminen on sallittua kunhan et tee sitä 24 tuntiin käsittelyn jälkeen.
- Älä käytä vaalentavia voiteita tai hajustettuja tuotteita 24 tuntiin käsittelyn jälkeen.

300 000 VÄLÄHDYKSEN LAMPPU

- Lamppu tuottaa 300 000 välähdystä käyttöikänsä aikana
- Laitteessa olevan lampun taataan kestävän koko takuuajan, kuten tuotteen mukana tulevassa takuukortissa kerrotaan.
- Kun lamppu on saavuttanut 99 % mahdollisesta käyttöikästään, käsikappaleen sivussa oleva LED palaa punaisena käynnistämisen aikana.
- Kun lampun käyttöikä on kulunut loppuun, et voi enää käyttää laitetta.

SUOMI

i-LIGHT -LAITTEEN PUHDISTAMINEN

◆ **HUOMIO:** Varmista aina ennen puhdistamisen aloittamista, että i-LIGHT on kytketty pois päältä ja latausjohto on irrotettu laitteesta.

Säännöllinen puhdistus auttaa varmistaamaan hyvän lopputuloksen ja pitkän käyttöiän laitteelle.

- Käytä valoimpulssi-ikkunan puhdistamiseen ainoastaan i-LIGHT-laitteesi mukana tullutta nukkaamatonta liinaa. Varo naarmuttamista tai kolhimista valoimpulssi-ikkunaa. Naarmut ja kolhut saattavat heikentää laitteen tehoa.
- Puhdista pinttynyt lika valoimpulssi-ikkunasta kostuttamalla puuvillatuppo sprillä ja pyyhkimällä valoimpulssi-ikkuna, kuivaa sen jälkeen mukana tulleella nukkaamattomalla liinalla.
 - ◆ **VAROITUS:** Älä käytä laitetta, jos valoimpulssi-ikkunassa on halkeama tai se on rikkoutunut. Älä koskaan naarmuta suodatinlasia tai metallipintaa käsittelypään sisäpuolella.
 - ◆ **VAROITUS:** i-LIGHT on suurjännitelaitte. Älä koskaan upota sitä veteen. Älä koskaan puhdista laitetta tai mitään sen osaa juoksevalla vedellä tai astianpesukoneessa.

Säilyttäminen

Sammuta laitteen virta, irrota se verkkovirrasta ja anna jäähtyä 10 minuuttia ennen säilytystä.

VIANETSINTÄ

- Lue nämä ohjeet kokonaan ennen i-LIGHT-laitteen käyttämistä.
- Jos sinulla on ongelmia i-LIGHT-laitteen kanssa, lue vianetsintäohjeet, joissa on kerrottu laitteen yleisimmät ongelmat. Jos olet noudattanut tämän osion ohjeita, mutta sinulla on siitä huolimatta ongelmia laitteesi kanssa, ota yhteyttä Remington®-huoltoliikkeeseen.

Virtakytkin on ON-asennossa, mutta laite ei toimi.

- Varmista, että olet liittänyt laitteen toimivaan pistorasiaan.
- Kokeile toista pistorasiaa.

Laitteessa on naarmuja tai se on hajalla.

- Älä käytä vaurioitunutta laitetta. Jos epäilet laitteen käyttöturvallisuutta, älä käytä sitä vaan ota yhteys Remington®-huoltoliikkeeseen.

Olen kytkenyt laitteen PÄÄLLE, mutta en saa asetusta vaihdettua.

- Yritä käynnistää laite uudestaan siten, että kytket sen pois päältä ja odotat muutaman sekunnin ja käynnistät uudelleen.

Laitteesta tulee outoa hajua.

- Varmista, että käsittelemäsi alueen ihokarva on kokonaan poistettu ennen käsittelyä.

Käsitelty alue muuttuu punaiseksi käsittelyn jälkeen.

- Tämä on normaalia ja punoituksen pitäisi häviä. Jos se ei häviä, kokeile hellävaraista tilaa. HUOMAUTUS: Laite siirtyy odotustilaan, jos i-LIGHT-laite tulee liian kuumaksi. Odotustilassa käsikappaleen sivussa olevat 5 LED-valoa syttyvät yksi kerrallaan. Odota muutama minuutti ja anna käsikappaleen jäähtyä. Laitetta ei tarvitse sammuttaa, LED-valot eivät pala enää, kun laite on uudelleen käyttövalmis.

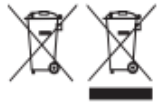
USEIN KYSYTYT KYSYMYKSET

- Täydellisen kysymysluettelon näet verkkosivuilta (www.remington-ilight.com)
- K: Mitä kehonosia voin käsitellä i-LIGHT-laitteella?
- V: i-LIGHT on suunniteltu unisex-laitteeksi niskan ja kaulan alapuoliselle alueelle, mukaan lukien sääret, kainalot, bikiniraja, käsivarret, rinta ja selkä. Naiset voivat käsitellä myös kasvoissa olevia ihokarvoja poskipään alapuolelta.
- K: Mitä vaaroja i-LIGHT-laitteen käyttöön liittyy? Onko se turvallista?
- V: i-LIGHT-laitteen on tutkittu olevan turvallinen ja tehokas, mutta kuten kaikkien sähkölaitteiden kohdalla, käyttöohjeiden ja turvallisuutta koskevien varoitusten lukeminen ja niiden noudattaminen on tärkeää.

- K. Onko IPL haitallista iholle pitkäaikaisessa käytössä?
V. Mitään sivuvaikutuksia tai ihovaurioita pitkäaikaisen intensiivisen valoimpulssin (IPL) käytöstä ei ole raportoitu.
- K. Miksi karvani kasvavat käsittelystä huolimatta?
V. Tulokset eivät näy heti, yksilöllisiä eroja esiintyy. Useimmat käyttäjät huomaavat karvoituksen vähentyneen 1–2 viikon kuluttua käsittelyn aloittamisesta. Tänä aikana voi vaikuttaa siltä, että karvaa kasvaa edelleen, mutta todellisuudessa se ”työntyy ulos”.
Ihokarvat kasvavat 3 eri vaihetta sisältävissä jaksoissa, jotka kestävät 18–24 kuukautta. Vain aktiivisessa kasvuvaiheessa olevat ihokarvat ovat otollisia käsittelylle ja tämän takia optimaalinen tulos vaatii useamman käsittelyn.
Toinen syy karvojen kasvun jatkumiseen on se, että jokin alue unohtui käsittelyssä. Jatka käsittelyä aina, jos huomaat karvojen kasvavan uudelleen.
- K. Miksi en voi käyttää i-LIGHT-laitetta auringonoton jälkeen?
V. Auringonvalo synnyttää suuria melaniinimääriä ja altistaa ihoa siten, että se saattaa palaa ja rakkuloitua helpommin käsittelyn jälkeen.
- K. Tarvitseko suojalaseja i-LIGHT-käsittelyn aikana?
V. Et, laite ei ole silmille vaarallinen. i-LIGHT-laitteessa on turvajärjestelmä, joka estää vahingossa tapahtuvat valoimpulssit, jos laite ei ole kosketuksessa ihoon. Käsittelyn aikana vapautuva pienin valomäärä vastaa kameran salamavaloa, eikä ole haitallista silmille. Erityissuunnitellut käsittelyosat minimoivat valovuodon. Jos heijastuva valo on epämiellyttävä, voit sulkea silmäsi ennen jokaista välähdystä.

FI

KIERRÄTYS



Jotta vältettäisiin vaarallisista aineista ympäristölle ja terveydelle koituvat haitat, näillä symboleilla varustettuja laitteita sekä ladattavia ja kertakäyttöisiä paristoja ei saa hävittää lajittelemattomana sekajätteenä. Hävitä sähkö- ja elektroniikkatuotteet sekä, mikäli sovellettavissa, ladattavat ja kertakäyttöiset paristot asianmukaiseen viralliseen kierrätys-/keräilypisteeseen.

PORTUGUÊS

Obrigado por adquirir este novo produto Remington®. Leia o manual de instruções e conserve-o em lugar seguro. Retire todo o material de embalagem antes do uso.

MEDIDAS DE SEGURANÇA IMPORTANTES

- Este aparelho não deve ser utilizado por pessoas com idade inferior a 18 anos e pessoas com capacidades físicas, sensoriais e mentais reduzidas ou pessoas com falta de experiência e conhecimento a não ser que sejam instruídas/supervisionadas e que compreendam os riscos envolvidos. As crianças não devem brincar com o aparelho. A limpeza e manutenção não deverão ser efetuadas por pessoas com idade inferior a 18 anos.
- Mantenha o aparelho e o cabo afastados de crianças menores de 8 anos de idade.
- Não utilize o produto com o cabo danificado. Pode obter uma substituição através dos nossos Centros de Assistência Internacionais.
- ⊘ O corpo deste aparelho não é lavável nem à prova de água. Não coloque o aparelho em líquidos; não o utilize perto de água numa banheira, bacia ou outro recipiente e não o utilize no exterior.
- É possível que este produto emita uma radiação ótica potencialmente perigosa. Não olhe diretamente para a fonte de luz, uma vez que esta pode causar danos oculares.
- Utilize este aparelho apenas para a utilização prevista tal como é descrito neste manual.
- Não utilize o aparelho se estiver danificado ou defeituoso.
- Não deixe o aparelho desacompanhado enquanto estiver ligado à tomada.
- Mantenha a ficha e o cabo de alimentação afastados de superfícies aquecidas.
- Não utilize peças que não recomendadas pela nossa empresa.
- Não torça, dobre ou enrole o cabo à volta do aparelho.
- Não ligue nem desligue o aparelho da corrente elétrica com as mãos molhadas.
- Este aparelho não é para utilização comercial ou em cabeleireiros.

Antes de começar a usar o i-LIGHT:

Não deixe de ler todos os avisos e informação sobre segurança. Antes de começar, verifique se o i-LIGHT é adequado para si.

Use a tabela de tons de pele e pelos, na parte frontal deste manual, e o sensor de pele integrado para determinar se este dispositivo é adequado a si (fig. 1).

AVISO: o i-LIGHT não é adequado para pele muito escura ou negra. O i-LIGHT não é eficaz em pelos claros ou cinzentos e é menos eficaz em pelos louros ou ruivos.

Uso facial: apenas adequado a pelo facial feminino nas bochechas, patilhas, queixo, área do pescoço e na área do buço (fig. 2).

NÃO USE nos olhos, sobrancelhas ou pestanas. Se o fizer, pode provocar danos oculares graves e permanentes.

Tipo de pele

- Não utilize em pele naturalmente escura, pois pode provocar queimaduras, bolhas e alterações no tom da pele.
- Não utilize em pele bronzada ou após exposição solar recente, pois pode causar queimaduras ou ferimentos na pele.
- O i-LIGHT não é eficaz em pelos faciais naturalmente brancos, cinzentos, louros ou ruivos.

Zonas a não tratar:

- Não utilize no couro cabeludo ou orelhas.
- Não utilize no rosto ou pescoço masculinos.
- Não utilize acima das maçãs do rosto (feminino).
- Não utilize nos mamilos, aréola ou genitais.
- Não utilize caso tenha tatuagens ou maquilhagem permanente na zona a ser tratada.
- Não utilize em marcas pretas ou castanho-escuras como verrugas, marcas de nascença ou sardas

- Não utilize em zonas submetidas a cirurgia recente, peeling profundo, resurfacing a laser, cicatrizes ou pele danificada por queimaduras ou escaldaduras.

Quando não se deve usar/quando se deve evitar usar o i-LIGHT

- NÃO use se tiver pele bronzeada nas áreas a tratar, pois a sua pele pode estar demasiado escura e o tratamento em áreas demasiado bronzeadas poderá temporariamente causar inchaço, bolhas ou alterar a cor da pele. Aguarde até que o bronzeado desapareça antes de realizar o tratamento.
- NÃO use em pele em que tenham sido aplicados cosméticos, pois realizar o tratamento nestas áreas poderá temporariamente causar inchaço, bolhas ou alterar a cor da pele. Certifique-se de que a pele está absolutamente limpa antes de realizar o tratamento.
- NÃO faça incidir o disparo no mesmo local de tratamento várias vezes durante a mesma sessão, pois isto poderá temporariamente causar inchaço, bolhas ou alterar a cor da pele.
- NÃO trate qualquer área mais do que uma vez por semana, pois isto não tornará mais rápidos os resultados, mas poderá aumentar as possibilidades de inchaço, bolhas ou alterar a cor da pele.
- NÃO use em pele danificada, incluindo feridas abertas, aftas, queimaduras do sol, ou quaisquer áreas em que tenha sido realizada uma esfoliação ou qualquer outro tratamento de renovação da pele nas últimas 6-8 semanas.
- NÃO use em pele irritada, incluindo erupções cutâneas ou pele inchada. Estas condições podem tornar a pele mais sensível. Espere até que a zona afetada esteja curada antes de usar.
- NÃO use se a sua pele for sensível à luz. Para determinar se pode usar o i-LIGHT, realize um teste numa pequena área de pele e espere 24 horas para determinar se há reações adversas antes de continuar o tratamento.
- NÃO use se está ou poderá estar grávida ou se está a amamentar. O i-LIGHT não foi testado em grávidas. As alterações hormonais são comuns durante a gravidez ou a amamentação e podem aumentar a sensibilidade cutânea e o risco de lesões cutâneas.
- NÃO incida disparos sobre qualquer outro material exceto sobre a pele.
- NÃO use o i-LIGHT para quaisquer outros fins que não o de remoção de pelos.
- NÃO trate qualquer área em que possa futuramente querer que os pelos voltem a crescer. Os resultados podem ser permanentes e irreversíveis.
- Não utilize no rosto se tiver um historial de feridas provocadas pelo frio, pois o uso de IPL ou qualquer tratamento irritante para a pele pode provocar a recorrência dessas feridas.
- Se já realizou tratamentos de depilação a laser, por eletrólise ou IPL profissionais, clínicos, ou auto-administrados, espere pelo menos seis meses antes de usar o i-LIGHT. Se utilizou cera de depilação, arrancou ou depilou a área a tratar, espere pelo menos seis semanas antes de usar o i-LIGHT. O dispositivo usa os pelos subcutâneos para inutilizar os pelos na raiz, e portanto não é eficaz se o pelo tiver sido arrancado.
- Não utilize por cima ou próximo de algo artificial, como implantes de silicone, implantes contraceptivos Implanon, pacemakers, pontos de injeção subcutânea (bomba de insulina) ou piercings.
- Embora não tenham sido reportados quaisquer problemas associados ao uso deste dispositivo em testes, recomenda-se que se observem todos os avisos sobre dispositivos médicos implantáveis quanto ao uso de dispositivos eletrónicos para evitar quaisquer falhas ou interrupções de um dispositivo implantável ativo.
- O equipamento de comunicações sem fios poderá afetar o dispositivo i-LIGHT e deve ser mantido a uma distância de pelo menos 3,3 m.
- Não use em ou próximo de enchimentos metálicos, implantes ou aparelhos dentários.

PT

CARACTERÍSTICAS PRINCIPAIS (FIG. 3)

- | | |
|-------------------------------------|----------------------------------------------|
| 1. Interruptor de energia | 10. Cabo do dispositivo manual |
| 2. Entrada de alimentação | 11. Janela de disparos |
| 3. Bloco de alimentação | 12. Sensores de contacto com a pele |
| 4. Dispositivo manual | 13. Acessório de tratamento do corpo |
| 5. ✱ Modo potência botão de disparo | 14. Acessório de tratamento facial |
| 6. ✂ Modo sensível botão de disparo | 15. Cabo de alimentação |
| 7. ⌚ Modo expresso botão de disparo | 16. Pano sem pelos |
| 8. Luzes indicadoras LED | 17. Bolsa de armazenamento (não apresentada) |
| 9. Sensor do tom de pele | |

PORTUGUÊS

COMO COMEÇAR

Desdobre a primeira e última páginas deste manual de instruções para poder consultar os diagramas enquanto lê. Seja paciente quando usar o i-LIGHT pela primeira vez, pois, como com qualquer produto novo, levará algum tempo até se familiarizar com o produto. Dê a si próprio tempo para se habituar ao i-LIGHT, pois estamos confiantes de que usufruirá de anos de utilização agradável e completa satisfação.

VAMOS CONHECER O i-LIGHT

O que é o i-LIGHT?

O sistema i-LIGHT é um dispositivo revolucionário baseado em luz, concebido para a remoção de pelos corporais e pelos faciais femininos indesejados em casa.

O i-LIGHT utiliza tecnologia clinicamente comprovada semelhante à utilizada por dermatologistas e salões e que foi otimizada para tratamento pessoal.

O que é luz intensa pulsada (IPL) e como é que trabalha o i-LIGHT?

IPL (luz intensa pulsada) é uma tecnologia bem conhecida, utilizada em todo o mundo há mais de 15 anos. O i-LIGHT usa esta tecnologia para fazer incidir na sua pele uma luz intensa pulsada.

O impulso trabalha por baixo da superfície da pele, para atingir os pelos na raiz, ajudando a parar o seu crescimento (fig. 4). A energia no impulso de luz incide sobre as cores mais escuras e assim os resultados são melhores em pelos mais escuros. O i-LIGHT é adequado para ser utilizado em tons de pele claros, médios e escuros (tons de pele I-V).

O que se pode esperar do i-LIGHT

Os resultados não são imediatos e os resultados individuais podem variar. A maioria dos utilizadores começará por detetar menor quantidade de pelos dentro de 1-2 semanas após o tratamento inicial. Durante este período, poderá parecer que os pelos continuam a crescer. Contudo, os pelos estão a ser «empurrados para fora» (fig. 5).

O ciclo de crescimento dos pelos passa por 3 fases diferentes que duram 18-24 meses (fig. 6). Apenas os pelos na fase de crescimento ativo são afetados pelo tratamento. Por esta razão, é necessário efetuar múltiplos tratamentos para obter resultados ótimos. É importante continuar com o regime de tratamento completo e tratamentos complementares para garantir que cada pelo ativo é tratado.

Regime de tratamentos

Um regime de tratamento completo é composto por três tratamentos, que deverão ser realizados a cada duas semanas. Os resultados individuais podem variar, por isso poderá ser necessário efetuar vários tratamentos para obter resultados ótimos. Quaisquer pelos que possam agora crescer serão menos densos, mais finos e claros do que os pelos originais. O recrescimento do pelo é perfeitamente normal e deve ser esperado. Após concluir o regime de tratamentos completo, os tratamentos complementares realizados uma vez a cada quatro semanas fornecerão ainda melhores resultados. Um tratamento regular contínuo a cada quatro semanas dará bons resultados num prazo de 8-12 semanas (tons de pele mais escuros poderão demorar mais tempo). Não use mais do que uma vez a cada duas semanas. NOTA: deverá evitar tratar a mesma área várias vezes numa única sessão, já que não melhorará a eficácia, mas aumentará o risco de irritação cutânea.

FAMILIARIZE-SE COM O SEU DISPOSITIVO i-LIGHT

Janela de disparos com filtro UV integrado (fig. 7)

AVISO: antes de cada utilização, verifique a janela de disparos para garantir que a lente não está danificada.

AVISO: antes de cada utilização, limpe a janela de disparos com o pano sem pelos fornecido para garantir que a lente está livre de óleo ou resíduos.

Sensor de contacto com a pele (fig. 8)

Este mecanismo de segurança previne disparos acidentais. O dispositivo não emitirá disparos a não ser que os sensores de contacto com a pele estejam em contacto total com a pele.

Modo potência, modo sensível e modo expresso (fig. 9)

Os botões do modo potência, modo sensível e modo expresso estão situados no dispositivo manual.

Verificador de tom de pele (fig. 10)

Permite a utilização apenas em tons de pele adequados.

Acessórios:

Acessório de tratamento do corpo para áreas extensas abaixo do pescoço (fig. 11).

Acessório de tratamento de precisão para áreas faciais femininas mais pequenas, tais como bochechas, patilhas, queixo, área do pescoço e buço (fig. 12).

Libertação de acessórios (fig. 13)

Segure o acessório na posição indicada e puxe firmemente a direita para libertá-lo. Ao colocar novamente o acessório, os ímanes irão ajudá-lo a alinhar o acessório de tratamento na posição adequada.

PREPARAÇÃO PARA A UTILIZAÇÃO

PREPARE A SUA PELE PARA TRATAMENTO

- Certifique-se de que a área a tratar está limpa e livre de óleos, desodorizantes, perfume, maquilhagem, loções e creme. Rape ou apare os pelos da área a tratar, e certifique-se de que a pele está limpa e seca.
- Para uso no rosto, poderá preferir aparar os pelos. Se os aparar, deverá obter um comprimento inferior a 0,5 mm.
- Não use cera, pinças, métodos de depilação ou outros que removam os pelos da raiz, pois a IPL não é eficaz em pelos arrancados.

PT

PREPARAR O I-LIGHT PARA UTILIZAÇÃO

- Ligue o cabo de alimentação à tomada de parede.

CONSULTAR O SEU TOM DE PELE

- Para determinar se o seu tom de pele é adequado para utilização com este dispositivo, compare a sua pele nas áreas a tratar com a tabela de tons de pele, que se encontra na parte frontal deste manual (fig. 1).
- Se a sua pele corresponder aos tons de pele claro, médio ou escuro da tabela de tons de pele (tons de pele I-V), pode usar este dispositivo i-LIGHT.
- Se a sua pele na área a tratar corresponder ao tom de pele mais escuro na tabela de tons de pele, NÃO use o dispositivo (tom de pele VI).
- Este dispositivo i-LIGHT possui um VERIFICADOR DE TOM DE PELE integrado na cabeça de tratamento que foi concebido para impedir um disparo involuntário numa pele demasiado escura para ser tratada.
- Se a sua pele for adequada para tratamento, o i-LIGHT emitirá um disparo e as luzes LED na parte lateral do dispositivo manual ficarão iluminadas a branco. O número de luzes acesas irá indicar o seu tom de pele.
- Se a sua pele for demasiado escura para ser submetida a tratamento, receberá um disparo de baixa intensidade, seguido por quatro sinais sonoros e uma luz LED vermelha na parte lateral do dispositivo manual.
- Se considerar que a sua pele é adequada com base na tabela de tons de pele (fig. 1), mas o dispositivo emitir um disparo seguido de quatro sinais sonoros, tente outra área a tratar.

TESTE O DISPOSITIVO i-LIGHT NA SUA PELE

Teste o dispositivo i-LIGHT numa pequena porção de pele e aguarde 24 horas para se assegurar de que não há reações adversas.

1. Coloque o dispositivo manual do i-LIGHT contra a pele para que a janela de disparos seja preenchida pela superfície da pele.
2. Certifique-se de que os sensores de contacto com a pele estão posicionados corretamente e de que as luzes LED ficam iluminadas a branco.
3. Selecione o modo preferido e prima o botão para emitir um disparo.
DICA: é normal sentir um desconforto ligeiro a moderado, pelo que pode optar por começar com o modo sensível, mudando apenas para o modo potência quando se sentir à vontade para fazê-lo.
4. Espere 24 horas e depois observe a área de teste. Se a pele parecer normal, continue com o seu primeiro tratamento completo no nível de energia que achou ser o correto para si.
NOTA: deve testar o dispositivo em todas as áreas do rosto ou corpo que deseja tratar.

PORTUGUÊS

SELECIONAR O MODO DE FUNCIONAMENTO

- O VERIFICADOR DE TOM DE PELE integrado na cabeça de tratamento definirá o nível de potência adequado para cada posição com base no tom de pele registado.
- Este dispositivo i-LIGHT possui 3 modos de funcionamento diferentes: modo potência (potência total), modo sensível e modo expresso. Sempre que for LIGADA, a unidade estará definida no modo potência. Emitirá um disparo aproximadamente a cada 3 segundos no modo potência e no modo sensível e a menos do que 1 segundo no modo expresso.

O modo potência ✨

O modo potência (potência total) fornecerá o nível de potência mais elevado que for adequado para si. Este modo é ideal para tratar tanto áreas extensas como pequenas e irá proporcionar os melhores resultados. O modo potência dar-lhe-á os melhores resultados de remoção de pelos com um menor número de tratamentos, embora possa ser menos confortável.

O modo sensível 🍃

O modo sensível é indicado para pessoas que consideram o modo potência demasiado intenso. O modo sensível é o modo com menor potência disponível para as pessoas sensíveis a desconforto mas que, mesmo assim, pretendem remover pelos indesejados. Com este modo, é possível que tenha de efetuar um maior número de tratamentos até obter os resultados pretendidos.

O modo expresso ⚡

O modo expresso fornece ao utilizador uma opção para efetuar tratamentos num menor período de tempo. Pode tratar áreas mais extensas com este modo muito mais rapidamente, embora possa ser menos eficaz e possa requerer um maior número de tratamentos até obter os resultados pretendidos.

NOTA: sempre que for ligado, o dispositivo estará configurado automaticamente no modo potência (potência total).

- Se pretender selecionar um modo alternativo, prima o botão pretendido para iluminá-lo.
- Depois de decidir e escolher o modo de funcionamento adequado para si, coloque a janela de disparos firmemente sobre a pele.
- O dispositivo está agora pronto para emitir o primeiro disparo. Para retirar a seleção do modo sensível ou do modo expresso, basta premir novamente o botão selecionado e a unidade ficará novamente no modo potência com apenas o botão de disparo iluminado.

TRATAMENTO

MUDAR OS ACESSÓRIOS

- O i-LIGHT é fornecido com dois acessórios de tratamento separados:
- O acessório de tratamento do corpo destina-se a ser utilizado em áreas mais extensas, tais como pelos corporais.
- O acessório de tratamento de precisão destina-se a ser utilizado em áreas mais pequenas, tais como pelos faciais femininos, axilas e zona do biquíni.

Para mudar os acessórios:

AVISO: certifique-se sempre de que a unidade está DESLIGADA e de que o cabo de alimentação foi retirado da tomada elétrica antes de retirar o acessório de tratamento

- Aguarde que o sistema arrefeça por 5 minutos antes de tentar mudar o acessório de tratamento.
1. Coloque o botão de energia em OFF (desligado) e desligue o cabo de alimentação da tomada elétrica.
 2. Segure o dispositivo com uma mão enquanto puxa suavemente o acessório de tratamento com a outra mão (fig. 13).
NOTA: os acessórios de tratamento estão fixados ao dispositivo através de ímanes e devem ser fáceis de retirar.
DICA: guarde o acessório de tratamento não usado num local seguro (como, por exemplo, dentro da embalagem), tendo o cuidado de não danificar a janela de disparos e outros componentes.
 3. Empurre suavemente o outro acessório de tratamento contra o dispositivo, certificando-se de que fica corretamente encaixado.

Como tratar:

1. Coloque a janela de disparos firmemente sobre a pele. Certifique-se de que os sensores de contacto com a pele estão posicionados corretamente. Se os sensores de contacto com a pele se encontrarem em contacto total com a pele, o botão de disparo do dispositivo iluminar-se-á de forma intermitente a

branco e os LED na parte lateral do dispositivo manual acender-se-ão para indicar que o dispositivo está pronto para disparar.

NOTA: se os sensores de contacto com a pele NÃO se encontrarem em contacto total com a pele, o dispositivo não irá funcionar se premir o botão de disparo e irá «zumbir». Verifique novamente se os sensores de contacto com a pele se encontram em contacto total com a pele.

2. Prima o botão de disparo para produzir um disparo. Deverá ver-se um disparo de luz brilhante (semelhante ao flash de uma câmara), e deverá sentir uma ligeira sensação de calor.
3. Passe à área seguinte e prossiga o tratamento num padrão tipo grelha para garantir cobertura total da área a tratar.
 - Para acionar o modo de disparo único, prima o botão de disparo de cada vez que passar a outra área.
 - Para acionar o modo de disparo múltiplo, mantenha o dedo no botão de disparo (para o manter premido) e deslize para a área seguinte, certificando-se de que os sensores de contacto com a pele estão posicionados corretamente. O próximo disparo será emitido automaticamente após 3 segundos (em modo potência total).
 - (em modo potência total).
 - Se, durante o modo de disparo múltiplo, largar o botão de disparo ou perder contacto com a pele, basta retomar o tratamento repetindo os passos acima.

Tratamento facial (uso feminino apenas)

Os pelos faciais podem ser muito diferentes dos pelos corporais e a pele do rosto tem tendência a ser mais sensível e a estar mais exposta aos raios solares, por isso tratar pelos faciais indesejados é diferente de tratar pelos corporais. Certifique-se de ler atentamente as advertências e precauções de segurança antes de iniciar um tratamento facial.

IMPORTANTE: o acessório de tratamento de precisão foi especialmente concebido para tratar as características únicas dos pelos faciais femininos. NÃO use o acessório de tratamento do corpo no rosto. Para mais informações, consulte a secção «Mudar os acessórios».

O acessório de tratamento de precisão destina-se apenas a ser utilizado em pelos faciais femininos nas bochechas, patilhas, área do pescoço e buço. (fig. 2).

NÃO utilize em barbas ou pelo facial masculino, pois os resultados podem ser permanentes ou irregulares, o que pode produzir alterações nas características do rosto possivelmente indesejadas.

PT

DICAS DE TRATAMENTO

Tratamento do corpo

- Para obter melhores resultados, evite sobrepor disparos. Isto ajuda a evitar a exposição a mais energia do que a necessária para suprimir o crescimento do pelo. Garante ainda que usufruirá da utilização máxima da lâmpada.
- Em cada utilização, para resultados mais eficazes, utilize o nível de energia mais alto que não causa desconforto na pele. O nível a usar deve produzir uma sensação de calor na pele, mas não causar desconforto.
- Poderá notar que zonas ossudas, como os cotovelos, canelas e tornozelos estão mais sensíveis durante o tratamento. Esta ocorrência é normal e não deve ser causa de alarme. Para evitar esta sensibilidade, tente esticar a pele na direção contrária à zona ossuda durante o tratamento.

Tratamento facial

- Teste numa porção de pele. Uma vez que a pele do rosto tem tendência a ser mais sensível, certifique-se de testar numa pequena porção de pele antes de iniciar o tratamento. Consulte a secção «Testar o i-LIGHT na sua pele» para mais informações.
- Use um espelho para orientar os seus tratamentos. Usar um espelho para obter uma vista clara da área a tratar ajuda a garantir que não tratará os lábios ou outros sinais escuros. Se a luz refletida for desconfortável, poderá querer fechar os olhos antes de cada disparo.
- Estique a pele para um melhor contacto com a pele: os contornos da pele podem tornar difícil que os sensores de contacto com a pele estejam totalmente premidos em algumas áreas. Poderá ser mais fácil tentar enrolar o lábio superior sobre os dentes ou usar a língua para esticar as bochechas para um melhor contacto cutâneo.

CUIDADOS PÓS-TRATAMENTO

Após o tratamento, poderá experimentar uma ligeira vermelhidão ou sensação morna na pele. Esta ocorrência é normal e desaparecerá rapidamente. Para evitar irritação na sua pele após um tratamento, siga as seguintes precauções:

PORTUGUÊS

- Evite exposição ao sol durante 24 horas após um tratamento. Proteja a pele com FPS 30 durante 2 semanas após cada tratamento.
- Não prolongue a exposição ao sol, tal como: banhos de sol, utilizar um solário ou um autobronzeador durante, pelo menos, 2 semanas após o último tratamento.
- Após o tratamento, mantenha a zona limpa e seca para manter a pele hidratada.
- Não tome banhos quentes, duchas ou frequente salas de vapor ou saunas até que qualquer vermelhidão ou sensibilidade cutânea tenha voltado ao normal.
- Não se depile (cera, arrancar com pinças, arrancar com fio ou cremes) durante o tratamento; rapar é aceitável desde que evite fazê-lo nas 24 horas após cada tratamento.
- Não utilize cremes descolorantes ou produtos com fragrância durante 24 horas após o tratamento.

LÂMPADA DE DISPAROS DE 300.000

- A lâmpada fornece 300.000 disparos durante a sua vida útil
- Garantimos que a lâmpada deste dispositivo durará o período de garantia inteiro, tal como indicado na garantia fornecida com este produto.
- Quando uma lâmpada tiver atingido 99% da sua vida útil possível, um dos LED na parte lateral do dispositivo manual irá iluminar-se a verde ao ligar.
- Quando a vida útil da lâmpada terminar, deixará de conseguir usar o dispositivo.

LIMPAR O SEU DISPOSITIVO i-LIGHT

⚠ CUIDADO: antes de limpar o seu i-LIGHT, certifique-se de que o dispositivo está desligado (OFF) e que o cabo de alimentação está desligado do dispositivo.

Uma limpeza regular ajuda a garantir resultados ótimos e uma longa vida do dispositivo.

- Para limpar a janela de disparos, use apenas um pano sem fios, fornecido com o dispositivo i-LIGHT. Tenha cuidado para não arranhar ou rachar a janela de disparos. Arranhões ou rachas poderão reduzir a eficácia da unidade.
- Para manchas teimosas na janela de disparos, humedeça um cotonete com desinfetante cirúrgico ou álcool propílico, aplique na janela de disparos e limpe suavemente com o pano sem pelos fornecido.
 - ◆ **AVISO:** se a janela de disparos se encontrar estalada ou partida, a unidade não deve ser utilizada. Não arranhe o filtro de vidro ou a superfície metálica no interior da cabeça de tratamento.
 - ◆ **CUIDADO:** o i-LIGHT é um dispositivo de alta voltagem. Não o submerja em água. Não lave a unidade ou quaisquer das suas peças debaixo de uma torneira ou numa máquina de lavar loiça.

Armazenamento

Desligue a unidade, retire o cabo da tomada e aguarde que arrefeça durante 10 minutos antes de a armazenar.

RESOLUÇÃO DE PROBLEMAS

- Leia estas instruções na totalidade antes de utilizar o i-LIGHT.
- Volte a consultar este guia de resolução de problemas caso experiencie complicações com o i-LIGHT, uma vez que esta secção engloba os problemas mais comuns que pode encontrar com o i-LIGHT.
- Caso siga as instruções contidas nesta secção e ainda continue a experienciar problemas, contacte o Centro de Assistência Remington® para obter apoio adicional.

O interruptor de energia está LIGADO (ON), mas a unidade não está a funcionar.

- Certifique-se de que a unidade está ligada a uma tomada elétrica ativa.
- Tente ligar a uma tomada diferente.

A unidade apresenta rachas ou está partida.

- Não utilize a unidade se a mesma se encontrar danificada. Se tiver preocupações relativamente ao uso da unidade, cesse a sua utilização e contacte o Centro de Assistência Remington® para obter apoio adicional.

LIGUEI a unidade mas não consigo mudar de modo

- Tente reiniciar a unidade desligando-a e aguarde vários segundos antes de a ligar novamente.

Há um odor estranho.

- Certifique-se de que a zona se encontra completamente rapada antes do tratamento.

As zonas tratadas apresentam-se vermelhas após o tratamento.

- Esta ocorrência é normal e a vermelhidão deverá desaparecer. Se não desaparecer, experimente mudar para o modo sensível.

NOTA: se o dispositivo i-LIGHT começar a ficar demasiado quente, entrará em modo de espera. Em modo de espera, os 5 LED na parte lateral do dispositivo manual começarão a acender-se sequencialmente. Aguarde alguns minutos para permitir que o dispositivo manual arrefeça. Não é necessário desligar a unidade. As luzes LED apagar-se-ão quando o dispositivo estiver pronto para ser usado novamente..

PERGUNTAS MAIS FREQUENTES

- Para uma lista completa das perguntas mais frequentes (FAQ), visite (www.remington-ilight.com)

P. Que áreas do meu corpo posso tratar com o i-LIGHT?

R. O i-LIGHT foi concebido para uso unissexo em áreas abaixo do pescoço, incluindo pernas, axilas, linha do biquíni, braços, peito e costas. As mulheres poderão também usar em pelos faciais abaixo das maçãs do rosto.

P. Quais são os riscos associados ao uso do i-LIGHT? É seguro?

R. O i-LIGHT está comprovado como sendo seguro e eficaz, mas, tal como qualquer dispositivo eletrónico, é importante que leia e siga as instruções de funcionamento e avisos de segurança.

P. A IPL é perigosa para a pele após uma utilização prolongada?

R. Não foram registados quaisquer efeitos secundários ou danos à pele derivados do uso prolongado de luz intensa pulsada (IPL).

P. Porque estão os meus pelos a crescer apesar dos tratamentos?

R. Os resultados não são imediatos e os resultados individuais podem variar. A maioria dos utilizadores começará por detetar menor quantidade de pelos dentro de 1-2 semanas após o tratamento inicial. Durante este período, poderá parecer que os pelos continuam a crescer, mas, na realidade, estão a ser «empurrados para fora». O pelo cresce num ciclo de 3 fases diferentes que duram 18-24 meses. Apenas os pelos na fase de crescimento ativo são afetados pelo tratamento. Por esta razão, é necessário efetuar múltiplos tratamentos para obter resultados ótimos. Outro motivo para o crescimento pode ser uma área que escapou ao tratamento. Repita o regime de tratamentos quando reparar que os pelos recomeçaram a crescer.

P. Porque não posso usar o i-LIGHT após exposição solar recente?

R. A exposição solar provoca níveis elevados de melanina e expõe a pele a riscos mais altos de queimaduras ou bolhas após o tratamento.

P. Preciso de proteção ocular enquanto uso o i-LIGHT?

R. Não, não é nocivo para os olhos. O i-LIGHT possui um sistema de segurança que previne disparos acidentais quando o dispositivo não está em contacto com a pele. A pequena quantidade de luz emitida durante o tratamento é semelhante ao flash de uma máquina fotográfica e não é nocivo para os olhos. Os acessórios de tratamento especialmente concebidos minimizam a dispersão de luz. Se a luz refletida for desconfortável, poderá querer fechar os olhos antes de cada disparo.

RECICLAGEM

Para evitar problemas ambientais e de saúde devido a substâncias perigosas, os aparelhos e baterias recarregáveis e não recarregáveis com um destes símbolos não deverão ser eliminados com o lixo doméstico normal. Elimine sempre os produtos elétricos e eletrónicos e, quando aplicável, as baterias recarregáveis e não recarregáveis, no ponto de reciclagem/recolha oficial apropriado.

SLOVENČINA

Ďakujeme, že ste si kúpili nový výrobok značky Remington®. Prosíme Vás, aby ste si pozorne prečítali tento návod a odložili ho na bezpečné miesto. Pred použitím odstráňte všetky obaly.

DÔLEŽITÉ BEZPEČNOSTNÉ OPATRENIA

- Tento prístroj by nemal byť používaný osobami mladšími ako 18 rokov a osobami so zníženými fyzickými, zmyslovými a duševnými schopnosťami alebo nedostatkom skúseností a poznatkov, ak nie sú pod dohľadom alebo dostatočne poučené skúsenou osobou a rozumejú tak všetkým možným rizikám pri používaní. Deti sa nesmú hrať s týmto prístrojom. Čistenie a používateľskú údržbu prístroja nesmú vykonávať osoby mladšie ako 18 rokov.
- Prístroj a kábel udržiavajte mimo dosahu detí mladších ako 8 rokov.
- Nepoužívajte výrobok s poškodeným elektrickým káblom. Náhradný kábel je možné získať prostredníctvom našich medzinárodných servisných stredísk.
- ⊘ Telo prístroja nie je umývateľné ani vodotesné. Prístroj nekladajte do tekutiny / kvapaliny, nepoužívajte ho v blízkosti vane, umývadla alebo akejkoľvek inej nádoby a nepoužívajte ho vonku.
- Výrobok môže vydávať nebezpečné optické žiarenie. Nepozerajte sa do zdroja svetla, lebo to môže poškodiť vaše oči.
- Používajte tento prístroj len na účel, na ktorý je určený podľa popisu v tomto návode.
- Prístroj nepoužívajte, ak je poškodený alebo nefunguje správne.
- Prístroj nenechávajte bez dozoru, keď je zapojený do elektrickej zásuvky.
- Elektrickú zástrčku a kábel nenechávajte v blízkosti horúcich povrchov.
- Nepoužívajte iné ako nami dodávané nadstavce.
- Kábel nestáčajte ani nekrčte, a neobtáčajte ho okolo prístroja.
- Nezapájajte a neodpájajte prístroj z a do elektrickej siete mokrymi rukami.
- Tento prístroj nie je určený na komerčné používanie alebo používanie v salónoch.

Kým začnete používať i-LIGHT:

Starostlivo si prečítajte všetky upozornenia a informácie týkajúce sa bezpečnosti. Kým začnete prístroj používať, skontrolujte, či je i-LIGHT pre vás vhodný.

Pomocou tabuľky s typmi pokožky a chĺpkov na začiatku tohto návodu a integrovaného senzora zistíte, či je pre vás prístroj vhodný (Obr. 1).

UPOZORNENIE: i-LIGHT nie je vhodný pre veľmi tmavú alebo čiernu pokožku. i-LIGHT nie je účinný na svetlé alebo sivé chĺpky a je menej účinný na blond alebo hrdzavé chĺpky.

Pre použitie na tvári: vhodný iba na ženské chĺpky v oblasti tváre, ako sú líca, strany pri ušiach, brada, oblasť krku a nad hornou perou (Obr. 2).

NEPOUŽÍVAJTE v oblasti očí, obočia alebo očných rias. Takéto používanie môže spôsobiť vážne a trvalé poškodenie očí.

Typ pokožky

- Nepoužívajte na prirodzene tmavej pokožke, pretože by to mohlo viesť k popáleninám, pľuzgierom a zmenám farby pokožky.
- Nepoužívajte na opálenej pokožke alebo po jej nedávnom vystavení slnku, pretože by to mohlo viesť k popáleninám alebo poraneniám pokožky.
- i-LIGHT neúčinkuje na prirodzene biele, sivé, blond alebo ryšavé chĺpky na tele alebo na tvári.

Oblasti, ktoré sa nesmú ošetrovať:

- Nepoužívajte na holej pokožke na hlave alebo ušiach.
- Nepoužívajte na mužskej tvári alebo krku.
- Nepoužívajte v oblastiach nad lícnymi kosťami (ženskej).
- Nepoužívajte na bradavkách, prsných dvorcoch alebo genitáliách.
- Nepoužívajte, ak máte v oblasti ošetrovania tetovania alebo permanentný mejkap.
- Nepoužívajte na tmavohnedých alebo čiernych škvŕnách, ako sú materské znamienka alebo pehy.

- Nepoužívajte na miestach, ktoré boli nedávno operované, bol na nich vykonávaný hlboký peeling, boli ošetrované laserom, na jazvách alebo pokožke, ktorá bola poškodená popálením alebo obarením.

Kedy nepoužívať/Kedy sa vyhnúť používaniu i-LIGHT

- NEPOUŽÍVAJTE, ak máte opálenú pokožku na miestach, ktoré chcete ošetriť, keďže vaša pokožka môže byť príliš tmavá a ošetrovanie na opálených miestach by mohlo dočasne spôsobiť opuchnutie pokožky, pľuzgiere, alebo by mohlo zmeniť farbu pokožky. Pred ošetrovaním počkajte, kým opálenie nezbledne.
- NEPOUŽÍVAJTE na pokožku s aplikovaným kozmetickým prípravkom, keďže ošetrovanie na takých miestach by mohlo dočasne spôsobiť opuchnutie pokožky, pľuzgiere alebo by mohlo zmeniť farbu pokožky. Oblasť pokožky, ktorú plánujete ošetriť pred použitím dôkladne očistite.
- NEOŽARUJTE to isté miesto ošetrovania viackrát počas toho istého sedenia, keďže by to mohlo dočasne spôsobiť opuchnutie pokožky, pľuzgiere, alebo zmeniť farbu pokožky.
- NEOŠETRUJTE akúkoľvek oblasť viac ako raz za týždeň, keďže to neurýchli výsledky, ale mohlo by to zvýšiť pravdepodobnosť opuchnutia pokožky, vzniku pľuzgierov alebo zmeny farby pokožky.
- NEPOUŽÍVAJTE na poškodenú pokožku, vrátane otvorených rán, oparov, slnkom spálenej pokožky, alebo oblastí, na ktorých ste podstúpili pleťový peeling alebo inú procedúru na zmenu povrchu pokožky v posledných 6-8 týždňoch.
- NEPOUŽÍVAJTE na podráždenú pokožku, vrátane začervenej alebo opuchnutej pokožky. Tieto stavy môžu spôsobiť precitlivenie pokožky. Pred použitím počkajte, kým sa postihnutá oblasť nezahojí.
- NEPOUŽÍVAJTE, ak je vaša pokožka citlivá na svetlo. Na zistenie, či môžete používať i-LIGHT, si urobte test na malom kúsku pokožky a pred samotným ošetrovaním počkajte 24 hodín, či sa neobjavia nejaké nepriaznivé reakcie.
- NEPOUŽÍVAJTE, ak ste alebo môžete byť tehotná alebo dojčíte. i-LIGHT nebol testovaný na tehotných ženách. Počas tehotenstva a dojčenia dochádza bežne k hormonálnym zmenám, ktoré môžu zvýšiť citlivosť pokožky a riziko poškodenia pokožky.
- NEOŽARUJTE iný materiál ako pokožku.
- NEPOUŽÍVAJTE i-LIGHT na žiadny iný účel, ako je odstraňovanie chĺpkov.
- NEOŠETRUJTE žiadnu oblasť, na ktorej by ste mohli v budúcnosti chcieť mať opäť ochlpenie. Výsledky môžu byť stále a nezvratné.
- Nepoužívajte na tvár, ak ste mali nedávno opar. Použitie IPL alebo iného ošetrovania, ktoré dráždi pokožku môže spôsobiť opakovaný výskyt oparov.
- Ak ste sa podrobili profesionálnemu alebo klinickému alebo doma vykonanému odstraňovaniu chĺpkov laserom alebo IPL, počkajte aspoň 6 mesiacov, kým použijete i-LIGHT. Ak ste v ošetrovanej oblasti odstraňovali chĺpky voskom, vytrhávaním alebo epiláciou, počkajte pred použitím i-LIGHT aspoň 6 týždňov. Prístroj vyžaduje ochlpenie pod pokožkou na to, aby poškodil chĺpok pri koreňku, preto nie je účinný, ak bol chĺpok odstránený.
- Nepoužívajte nad alebo v blízkosti čohokoľvek umelého, ako sú napríklad silikónové implantáty, antikoncepčné implantáty Implanon, podkožné injekčné dávky (dávkočac na inzulín) alebo piercingy.
- Aj keď pri štúdiách neboli hlásené žiadne problémy spojené s používaním týchto prístrojov, odporúča sa dodržiavať všetky upozornenia pri používaní aktívnych implantovaných zariadení týkajúce sa použitia elektronických zariadení, aby sa predišlo zlyhaniu alebo prerušeniu činnosti aktívneho implantovaného zariadenia.
- Zariadenie na bezdrôtovú komunikáciu môže ovplyvniť prístroj i-LIGHT a malo by byť umiestnené vo vzdialenosti minimálne 3,3 m.
- Nepoužívajte v blízkosti alebo priamo cez kovové výplne, zubné implantáty alebo rovnátka.



DÔLEŽITÉ VLASTNOSTI (OBR. 3)

- | | |
|----------------------------------------|-----------------------------------------------|
| 1. Vypínač | 10. Kábel rukoväte |
| 2. Vstup napájania | 11. Zábleskové okno |
| 3. Nabíjací aparát | 12. Senzor kontaktu s pokožkou |
| 4. Rukoväť | 13. Nadstavec na ošetrovanie tela |
| 5. ✦ Výkonný režim zábleskové tlačidlo | 14. Nadstavec na ošetrovanie tváre |
| 6. ✧ Citlivý režim zábleskové tlačidlo | 15. Napájací kábel |
| 7. ⚡ Rýchly režim zábleskové tlačidlo | 16. Bezžmolková látka |
| 8. Svetelné ukazovatele LED | 17. Puzdro na uskladnenie (nie je vyobrazené) |
| 9. Senzor odtieňa pokožky | |

SLOVENČINA

ZAČÍNAME

Rozložte prednú a zadnú stranu tohto návodu s pokynmi na použitie, aby ste si mohli počas čítania prezerat obrázky. Pri prvom použití vášho i-LIGHT buďte trpezlivá/y, keďže ako pri každom novom výrobku, zoznámenie s ním môže istý čas trvať. Zoznámeniu sa s vaším i-LIGHT venujte dostatok času. Sme presvedčení, že s ním prežijete roky príjemného používania a úplnej spokojnosti.

ZOZNÁMENIE SA S i-LIGHT

Čo je i-LIGHT?

Systém i-LIGHT je revolučné zariadenie (technológia intenzívneho pulzného svetla IPL) navrhnuté na domáce odstraňovanie neželaných chĺpkov na tele a chĺpkov na ženskej tvári.

i-LIGHT REVEAL využíva klinicky overenú technológiu podobnú tej, ktorú používajú profesionálni dermatológovia a salóny krásy, prispôbenú na osobné ošetrovanie.

Čo je intenzívne pulzné svetlo (IPL) a ako funguje i-LIGHT?

IPL – (intenzívne pulzné svetlo) je uznávaná technológia, ktorá sa používa na celom svete už 15 rokov. i-LIGHT využíva túto technológiu tak, že ožiari vašu pokožku intenzívnym svetelným zábleskom.

Tento záblesk pracuje pod povrchom pokožky tak, že pôsobí na chĺpky pri koreňoch a pomáha zastaviť ich rast (Obr. 4). Energia svetelného záblesku je priťahovaná tmavým sfarbením, pričom najlepšie výsledky sa dosahujú na tmavších chĺpkoch.

i-LIGHT je určený na použitie na svetlom, strednom a tmavom odtieni pokožky (odtiene pokožky I - V).

Čo možno očakávať od i-LIGHT

Výsledky nie sú okamžité a individuálne výsledky sa môžu líšiť. Väčšina používateľov pozoruje menej chĺpkov do 1-2 týždňov po prvom ošetrovaní. Počas tohto obdobia sa môže zdať, že chĺpky stále rastú, ale v skutočnosti sú „vytláčané von“ (Obr. 5).

Chĺpky rastú v cykle s 3 rôznymi fázami, ktorý trvá 18-24 mesiacov (Obr. 6). Iba chĺpky vo fáze aktívneho rastu sú vhodné na ošetrovanie, čo je dôvod, prečo sa pre optimálne výsledky vyžadujú viacnásobné ošetrovania.

Je dôležité pokračovať v úplnom režime ošetrovania a pridať ošetrovania, aby ste zabezpečili ošetrovanie každého aktívneho chĺpka.

Režim ošetrovania

Úplný režim ošetrovania tvoria tri ošetrovania raz za dva týždne. Individuálne výsledky sa môžu líšiť, takže pre dosiahnutie optimálnych výsledkov môžu byť potrebné viacnásobné ošetrovania. Je možné, že niektoré chĺpky budú znova rásť. Tieto však budú redšie, jemnejšie a budú mať svetlejšiu farbu ako pôvodné chĺpky. Opätovný rast je úplne normálny a mali by ste ho očakávať. Po dokončení úplného režimu ošetrovania poskytne každé ďalšie ošetrovanie raz za štyri týždne ešte lepšie výsledky. Priebežné pravidelné používanie každé štyri týždne poskytne dobré výsledky v priebehu 8 - 12 týždňov (u tmavších odtieňov pokožky to môže trvať dlhšie). Nepoužívajte častejšie ako raz za dva týždne. POZN.: Mali by ste sa vyhnúť ošetrovaniu tej istej oblasti viackrát počas jedného sedenia, keďže to nezlepší účinok, ale zvyšuje sa riziko podráždenia pokožky.

ZOZNÁMTE SA S VAŠÍM PRÍSTROJOM i-LIGHT

Zábleskové okienko so zabudovaným UV filtrom (Obr. 7)

UPOZORNENIE: pred použitím vždy skontrolujte zábleskové okno, aby ste sa uistili, že nie je poškodená šošovka.

UPOZORNENIE: pred použitím zábleskové okno vždy vyčistite bezžmolkovou látkou, aby ste sa uistili, že na šošovke nie sú zvyšky oleja alebo nečistôt.

Senzor kontaktu s pokožkou (Obr. 8)

Tento bezpečnostný mechanizmus zabraňuje náhodnému záblesku. Prístroj nevyšle záblesk ak nebudú oba senzory kontaktu s pokožkou v úplnom kontakte s pokožkou.

Výkonný režim, Citlivý režim a Expresný režim (Obr. 9)

Tlačidlá pre Výkonný režim, Citlivý režim a Expresný režim sú všetky umiestnené na rukoväti.

Tester/Senzor odtieňa pokožky

Umožní použitie len na vhodných odtieňoch pokožky.

Nadstavce:

Nadstavec na ošetrovanie tela na väčšie oblasti pod úrovňou krku (Obr. 11).

Nadstavec na presné ošetrovanie menších oblastí ženskej tváre, ako sú líca, strany pri ušiach, brada, oblasť krku a nad hornou perou (Obr. 12).

Uvoľnenie nadstavca (Obr. 13)

Uchopte nadstavec na označených miestach a pevne ho vytiahnite rovno nahor, čím sa nadstavec uvoľní. Pri opätovnom zakladaní nadstavca umožnia magnety priblížiť nadstavec na ošetrovanie do správnej pozície.

PRÍPRAVA NA POUŽITIE**PRIPRAVTE SVOJU POKOŽKU NA OŠETRENIE**

- Zabezpečte, aby bola oblasť na ošetrovanie čistá a zbavená olejov, deodorantov, parfumov, mejkapu, telového mlieka a krému. Ohoďte alebo zastrihnite ochlpenie v oblasti, ktorá sa má ošetriť, a pokožku očistite a vysušte.
- Pri použití na tvári je vhodné najskôr chlípky zastrihnúť. Ak budete chlípky zastrihávať; musia byť zastrihnuté na menej ako 0,5 mm.
- Nikdy nepoužívajte vosk, epiláciu, pinzetu alebo iné metódy, ktoré odstraňujú chlípky od korenkov, keďže IPL nie je účinné, ak boli chlípky odstránené vytrhnutím.

PRÍPRAVA PRÍSTROJA i-LIGHT NA POUŽÍVANIE

- Pripojte napájací kábel ku zásuvke na stene.

SKONTROLUJTE SVOJ TÓN POKOŽKY

- Aby ste zistili, či je tento prístroj vhodné použiť na váš odtieň pokožky, porovnajte svoju pokožku v oblastiach, ktoré plánujete ošetrovať, s Tabuľkou odtieňov pokožky na začiatku tohto návodu (Obr. 1).
- Ak sa vaša pokožka zhoduje so svetlými, strednými, alebo tmavými odtieňmi pokožky v Tabuľke odtieňov pokožky I-V (skin tones I-V), môžete tento prístroj i-LIGHT používať.
- Ak sa vaša pokožka v oblasti, ktorú plánujete ošetrovať, zhoduje s najtmavším odtieňom pokožky v Tabuľke odtieňov pokožky, tento prístroj NEPOUŽÍVAJTE (Odtieň pokožky VI - Skin tone VI).
- Tento model prístroja i-LIGHT má v nadstavci na ošetrovanie vstavaný TESTER/SENZOR ODTIEŇA POKOŽKY, ktorý je navrhnutý tak, aby zabránil neúmyselnému vyslaniu záblesku na pokožku, ktorá je na ošetrovanie príliš tmavá.
- Ak je vaša pokožka vhodná na ošetrovanie, i-LIGHT vyšle záblesk a svetelné kontrolky LED na boku rukoväte sa rozsvietia nabiele. Počet rozsvietených kontroliek bude označovať váš odtieň pokožky.
- Ak je vaša pokožka príliš tmavá a tak nie je vhodná na ošetrovanie, prístroj vyšle záblesk s nízkou energiou, za ktorým budú nasledovať štyri počuteľné pípnutia a rozsvieti sa červená svetelná kontrolka LED na boku rukoväte.
- Ak ste presvedčení, že vaša pokožka je podľa Tabuľky odtieňov pokožky (Obr. 1) vhodná na ošetrovanie, ale prístroj bliká a nasledujú štyri počuteľné pípnutia, vyskúšajte inú oblasť na ošetrovanie.

TESTOVANIE ZARIADENIA I-LIGHT NA VAŠEJ POKOŽKE

Otestujte zariadenie i-LIGHT na malom kúsku pokožky a počkajte 24 hodín, aby ste sa uistili, že sa nevyskytnú nepriaznivé reakcie.

1. Priložte rukoväť i-LIGHT na pokožku tak, aby bolo zábleskové okno v priamom kontakte s pokožkou.
2. Dbajte o to, aby boli Sensory kontaktu s pokožkou úplne prítlačené a svetelné kontrolky LED svietili nabiele.
3. Zvoľte vami preferovaný režim a stlačte tlačidlo na vyslanie záblesku.
TIP: Slabé až jemné nepohodlie je normálne, a preto je dobré začať v Citlivom režime a na Výkonný režim prepnúť, keď vám to bude príjemné.
4. Počkajte 24 hodín a potom si pozrite testovanú oblasť. Ak pokožka vyzerá normálne, pokračujte vo svojom prvom ošetrovaní na takej úrovni energie, ktorú ste si stanovili ako vhodnú pre vás.
POZN.: Prístroj musíte otestovať na každej oblasti tváre alebo tela, ktoré chcete ošetrovať.

ZVOĽTE SI PREVÁDZKOVÝ REŽIM

- Tester/senzor odtieňa pokožky zabudovaný v nadstavci na ošetrovanie nastaví vhodnú úroveň energie pre každé nastavenie podľa zaregistrovaného odtieňa pokožky.



SLOVENČINA

- Tento prístroj i-LIGHT má k dispozícii 3 rôzne prevádzkové režimy, Výkonný režim (maximálny výkon), Citlivý režim a Rýchly režim. Jednotka sa po zapnutí (ON) automaticky nastaví do Výkonného režimu. Vo výkonnom a citlivom režime vyššie prístroj záblesk približne každé 3 sekundy, v rýchlom režime za menej ako 1 sekundu.

Výkonný režim

Výkonný režim (maximálny výkon) poskytne tú najvyššiu úroveň energie, ktorá je pre vás vhodná. Tento režim je ideálny na ošetrovanie väčších aj menších oblastí pokožky a prináša lepšie výsledky. Výkonný režim vám poskytne najlepšie výsledky pri odstraňovaní chĺpkov pri menšom počte ošetrení, ale môže byť menej pohodlný.

Citlivý režim

Citlivý režim je určený tým užívateľom, pre ktorých je Výkonný režim príliš intenzívny. Citlivý režim je menej výkonný režim, ktorý je k dispozícii pre tých, ktorí citlivo reagujú na nepohodlie, ale aj tak si želajú odstrániť nechcené chĺpky. S týmto režimom možno budete musieť vykonať o niekoľko viac ošetrení, aby ste dosiahli požadované výsledky.

Rýchly režim

Rýchly režim ponúka užívateľovi možnosť časovo výhodného ošetrenia. V tomto režime môžete upravovať väčšie oblasti omnoho rýchlejšie, avšak ošetrovanie môže byť menej účinné a na dosiahnutie požadovaných výsledkov bude potrebné uskutočniť viac ošetrení.

POZN.: Vždy keď sa prístroj zapne, automaticky sa nastaví do Výkonného režimu (maximálny výkon).

- Ak si želáte zvoliť iný režim, stlačte požadované tlačidlo, ktoré sa rozsvieti.
- Keď ste sa rozhodli a vybrali si, ktorý prevádzkový režim je pre vás vhodný, priložte prístroj zábleskovým okienkom pevne k pokožke.
- Prístroj je teraz pripravený vyslať prvý záblesk. Ak chcete zrušiť voľbu Citlivého alebo Rýchleho režimu, jednoducho stlačte znovu vybrané tlačidlo a jednotka sa vráti späť do Výkonného režimu, kedy je rozsvietené iba zábleskové tlačidlo.

OŠETRENIE

VÝMENA NADSTAVCOV

- Váš i-LIGHT je vybavený dvoma samostatnými nastavcami na ošetrovanie:
- Nadstavec na ošetrovanie tela a použitie na väčšie oblasti, ako sú napríklad chĺpky na tele.
- Nadstavec na presné ošetrovanie je určený na menšie oblasti, ako sú ženské chĺpky na tvári, v podpazuší a oblasti bikiní.

Na výmenu nastavcov:

UPOZORNENIE: Dbajte na to, aby boja jednotka pred odoberaním nastavca na ošetrovanie VYPNUTÁ a kábel odpojený z elektrickej siete.

- Pred výmenou nastavca na ošetrovanie nechajte systém aspoň 5 minút vychladnúť.
- 1. Vypnite vypínač (OFF) a odpojte napájací kábel z elektrickej zásuvky.
- 2. Jednou rukou držte prístroj, kým druhou jemne vytiahnete nadstavec na ošetrovanie (Obr. 13).
POZN.: Nadstavce na ošetrovanie sú k prístroju prichytené magnetmi a mali by sa dať ľahko vytiahnuť.
TIP: Nadstavec na ošetrovanie, ktorý nepoužívate, skladujte na bezpečnom mieste (napr. v pôvodnom obale) a dávajte pozor, aby sa nepoškodilo zábleskové okienko a iné súčasti.
- 3. Druhý nadstavec na ošetrovanie jemne priložte späť k prístroju a dbajte na to, aby zacvakol na miesto.

Ako ošetrovať:

1. Priložte zábleskové okno pevne na pokožku – dbajte o to, aby boli senzory kontaktu s pokožkou úplne pritlačené. Ak sú Senzory kontaktu s pokožkou v úplnom kontakte, Zábleskové tlačidlo na prístroji bude pulzovať nabielo a kontrolky LED po stranách rukoväte sa rozsvietia, čo znamená, že prístroj je pripravený na vyslanie záblesku.
POZN.: Ak Senzory kontaktu s pokožkou NIE SÚ v úplnom kontakte s pokožkou, prístroj sa po stlačení Zábleskového tlačidla nespustí a bude "bzučať". Znovu skontrolujte, či sú Senzory kontaktu s pokožkou v úplnom kontakte s pokožkou.
2. Stlačte zábleskové tlačidlo na vyslanie záblesku. Mali by ste očakávať, že uvidíte jasný záblesk svetla (podobný blesku z fotoaparátu) a zacítite mierny pocit tepla.
3. Prejdite na ďalšiu oblasť a ošetrojte v tvare mriežky, aby ste zaistili úplné pokrytie ošetrovanej oblasti.

- V režime Single-Flash stlačte tlačidlo Flash zakaždým, keď prejdete na ďalšiu oblasť.
- V režime Multi-Flash držte prst na tlačidlo Flash, aby bol stále stlačený a posúvajte sa na ďalšiu oblasť dbajúc o to, aby boli senzory kontaktu s pokožkou úplne pritlačené. Ďalší záblesk bude vyslaný automaticky po 3 sekundách (v Režime plného výkonu).
- Ak počas režimu Multi-Flash pustíte tlačidlo Flash alebo stratíte kontakt s pokožkou, jednoducho obnovte ošetrovanie zopakovaním krokov uvedených vyššie.

Ošetrovanie tváre (len pre ženy)

Chĺpky na tvári môžu byť veľmi odlišné od chĺpkov na tele a pokožka na tvári má tendenciu k väčšej citlivosti a je pravdepodobne viac vystavená slnečnému žiareniu; preto sa ošetrovanie nechcených chĺpkov na tvári odlišuje od ošetrovania tela – pred začatím ošetrovania tváre si určite pozorne prečítajte časť Upozornenia a bezpečnostné opatrenia.

DÔLEŽITÉ: Nadstavec na presné ošetrovanie bol špeciálne navrhnutý na ošetrovanie jedinečných chĺpkov na ženskej tvári. Na oblasť tváre **NEPOUŽÍVAJTE** nadstavec na ošetrovanie tela. Pozrite časť "Výmena nadstavcov" a získajte ďalšie informácie. Nadstavec na presné ošetrovanie je určený na odstránenie chĺpkov na ženskej tvári a to na lícach, po stranách pri ušiach, na brade, v oblasti krku a nad hornou perou. (Obr. 2).

NEPOUŽÍVAJTE na mužské brady alebo chĺpky na mužskej tvári, pretože výsledky by mohli byť trvalé alebo nerovnomerné, čo môže viesť k zmenám v charakteristike tváre, ktoré nemusia byť žiadané.

RADY NA OŠETRENIE

Ošetrovanie tela

- Pre zabezpečenie lepších výsledkov sa vyhnite prekryvujúcim sa zábleskom. Toto zabráni vystaveniu väčšej energii, ako je potrebné na potlačenie rastu chĺpkov. Zaručuje tiež maximálne využitie žiarovky.
- Najúčinnnejšie výsledky získate s najvyššou úrovňou intenzity, ktorá nespôsobuje bolesti pokožky. Úroveň, ktorú použijete by mala na vašu pokožku pôsobiť teplo, ale nemala by byť nepríjemná.
- Počas ošetrovania možno zistíte, že oblasti s kosťami, ako napríklad lakte, holene a členky sú citlivejšie. Je to normálne a nemalo by to vo vás vyvolať znepokojenie. Aby ste sa vyhli tejto citlivosti, skúste počas ošetrovania natiahnuť pokožku mimo oblasti s kosťami.

Ošetrovanie tváre

- Vyskúšajte na kúsku pokožky – keďže pokožka tváre má tendenciu k väčšej citlivosti, dbajte o to, aby ste pred pokračovaním vyskúšali postup na malom kúsku. Pre ďalšie podrobnosti pozrite časť „Vyskúšajte i-LIGHT na svojej pokožke“.
- Na usmerňovanie ošetrovania používajte zrkadlo – používanie zrkadla zabezpečí dobrý prehľad o oblasti, ktorá sa má ošetriť a pomáha zabezpečiť, aby ste sa vyhli ošetrovaniu pier alebo iných tmavších miest. Ak bude odrazené svetlo nepríjemné, môžete pred každým zábleskom zatvoriť oči.
- Pre lepší kontakt s pokožkou pokožku natiahnite – kontúry pokožky môžu v určitých oblastiach brániť úplnému stlačeniu senzoru kontaktu s pokožkou. Možno sa vám bude zdať ľahšie pokúsiť sa natiahnuť vrchnú peru ponad zuby alebo napnúť líca pomocou jazyka, a tak dosiahnuť lepší kontakt s pokožkou.

STAROSTLIVOSŤ PO OŠETRENÍ

Po ošetrovaní môžete zbadáť mierne začervenajúcu pokožku alebo cítiť teplo. Je to normálne a rýchlo sa to stratí. Aby ste sa vyhli podráždeniu pokožky po ošetrovaní, vykonajte nasledovné opatrenia:

- 24 hodín po ošetrovaní sa vyhnite vystaveniu slnečnému žiareniu. 2 týždne po každom ošetrovaní chráňte svoju pokožku ochranným faktorom +30. 2 týždne po poslednom ošetrovaní sa nevystavujte dlhšie slnku, ako napríklad opaľovaniu na lehátku alebo samoopaľovaniu.
- Po ošetrovaní udržiavajte okolie v čistote a suché, aby ste zabezpečili hydratáciu pokožky.
- Kým sa začervenanie pokožky alebo jej citlivosť nevráti do normálu, nedávajte si horúci kúpeľ, sprchu, ani nepoužívajte parné miestnosti a sauny.
- Počas a po ošetrovaní sa nedepilujte (voskom, vytrhávaním ani krémami) – holenie je prípustné, ak ho vykonávate minimálne 24 hodín po každom ošetrovaní.
- 24 hodín po ošetrovaní nepoužívajte bieliace krémy alebo parfumované produkty.



SLOVENČINA

ŽIAROVKA SO 300 000 ZÁBLESKAMI

- Žiarovka poskytne počas svojej životnosti 300 000 zábleskov.
- Žiarovka v tomto prístroji má garanciu, že vydrží počas celej záručnej doby, ako je uvedená na záručnej karte dodanej s týmto výrobkom.
- Keď žiarovka dosiahne 99 % svojej životnosti, jedna z kontroliek LED na boku rukoväte bude po zapnutí svietiť načerveno.
- Po vyčerpaní životnosti žiarovky nebudete môcť prístroj ďalej používať.

ČISTENIE PRÍSTROJA I-LIGHT

◆ POZOR: Pred čistením vášho i-LIGHT skontrolujte, či je prístroj vypnutý (OFF) a nabíjací kábel je odpojený z prístroja.

Pravidelné čistenie pomáha zabezpečiť optimálne výsledky a dlhú životnosť prístroja.

- Na čistenie zábleskového okna používajte iba bezžmolkovú handričku dodávanú s prístrojom i-LIGHT. Dajte pozor, aby ste zábleskové okno nepoškriabali alebo z neho neodlomili. Škrabance a úlomky môžu znížiť účinnosť jednotky.
- Na odolné škvrny na zábleskovom okne navlhčite bavlnený tampón chirurgickým alkoholom alebo masážnym alkoholom, aplikujte na zábleskové okno a jemne vyčistite s dodanou bezžmolkovou handričkou.

◆ UPOZORNENIE: Ak zábleskové okno praskne alebo sa rozbije, jednotku už nesmiete používať. Dávajte pozor, aby ste nikdy nepoškriabali filtračné sklo alebo kovový povrch vo vnútri hlavy na ošetrovanie.

◆ POZOR: i-LIGHT je vysokonapäťové zariadenie. Nikdy ho neponárajte do vody. Jednotku ani žiadny z jej dielov nikdy nečistite pod tečúcou vodou alebo v umývačke riadu.

Skladovanie

Pred uskladnením jednotku vypnite, odpojte od napájania a nechajte ju 10 minút vychladnúť.

RIEŠENIE PROBLÉMOV

- Pred použitím i-LIGHT si vždy riadne prečítajte tieto pokyny.
- Ak pri používaní i-LIGHT spozorujete akékoľvek problémy, obráťte sa na túto príručku riešenia problémov, pretože táto časť je zameraná na najbežnejšie problémy, ktoré by ste so zariadením i-LIGHT mohli mať. Ak ste postupovali podľa pokynov v tejto časti a problémy pretrvávajú, kontaktujte servisné stredisko Remington® pre ďalšiu pomoc.

Vypínač je zapnutý (ON), ale jednotka nefunguje.

- Uistite sa, že je jednotka pripojená k fungujúcej elektrickej zásuvke.
- Pokúste sa ju pripojiť k inej zásuvke.

Vyzerá to tak, že jednotka má praskliny alebo je rozbitá.

- Ak je jednotka poškodená, nepoužívajte ju. Ak máte pochybnosti týkajúce sa použitia jednotky, prestaňte ju používať a kontaktujte servisné stredisko Remington® pre ďalšiu pomoc.

ZAPLA som jednotku, ale nemôžem zmeniť Režim.

- Pokúste sa jednotku resetovať. Vypnite ju a pred opätovným zapnutím počkajte niekoľko sekúnd.

Cítim zvláštny zápach.

- Pred ošetrením sa uistite, že oblasť je úplne oholená.

Ošetrované oblasti po ošetrení sčervenejú.

- To je bežné a začervenanie by malo ustúpiť. Ak nie, skúste prepnúť do Citlivého režimu. POZN.: V prípade, že sa prístroj i-LIGHT príliš zohreje/zahreje, prepne sa automaticky do pohotovostného režimu "Čakanie". V tomto režime sa začne 5 kontroliek LED na boku rukoväte postupne rozsvetovať, jedna po druhej. Počkajte niekoľko minút, aby mohla rukoväť vychladnúť. Nie je potrebné jednotku vypínať, kontrolky LED prestanú svietiť, keď bude prístroj znovu pripravený na použitie.

ČASTO KLADENÉ OTÁZKY

- Pre celý zoznam často kladených otázok navštívte (www.remington-ilight.com)

O: Ktoré oblasti tela môžem ošetrovať s i-LIGHT?

Odp: Zariadenie i-LIGHT je navrhnuté na používanie pre ženy i mužov v oblastiach pod krkom, vrátane nôh, podpažšia, slabín, ramien, hrude a chrbta. Ženy ho môžu používať aj na ošetrovanie chĺpkov na tvári pod lícnyimi kosťami.

O: Aké riziká sú spojené s i-LIGHT? Je to bezpečné?

Odp: Bolo preukázané, že používanie i-LIGHT je bezpečné a účinné, ale ako pri každom elektrickom prístroji je dôležité si prečítať a dodržiavať návod na používanie a bezpečnostné upozornenia.

O: Predstavuje IPL pre pokožku po dlhodobom používaní nebezpečenstvo?

Odp: Po dlhodobom používaní intenzívneho pulzného svetla (IPL) neboli zaznamenané žiadne vedľajšie účinky ani poškodenia pokožky.

O: Prečo moje chĺpky rastú napriek ošetreniam?

Odp: Výsledky nie sú okamžité, a individuálne výsledky sa líšia. Väčšina používateľov pozoruje menej chĺpkov do 1-2 týždňov od začatia ošetrovania. Počas tohto obdobia to môže vyzeráť tak, že chĺpky stále rastú, ale v skutočnosti sú „vytláčané von“. Chĺpky rastú v cykle s 3 rôznymi fázami, ktoré trvajú 18-24 mesiacov. Iba chĺpky vo fáze aktívneho rastu sú vhodné na ošetrovanie, čo je dôvod, prečo sa pre optimálne výsledky vyžadujú viacnásobné ošetrenia.

Ďalším dôvodom na pokračovanie rastu by mohlo byť to, že táto oblasť bola počas ošetrovania vynechaná. Keď si všimnete opätovný rast, zopakujte režim ošetrovania.

O: Prečo nemôžem použiť i-LIGHT hneď po pobyte/vystavení sa na slnku?

Odp: Vystavenie slnku spôsobuje vysoké hladiny prítomnosti melanínu a vystavuje pokožku vyššiemu nebezpečenstvu spálenia alebo výskytu pľuzgierov po ošetrení.

O: Potrebujem si počas používania i-LIGHT chrániť oči?

Odp: Nie, nie je to škodlivé pre oči. i-LIGHT je vybavené bezpečnostným systémom, ktorý zabraňuje neúmyselnému vysielaniu zábleskov, keď zariadenie nie je v kontakte s pokožkou. Malé množstvo svetla uvoľneného počas ošetrovania je podobné blesku z fotoaparátu a nie je škodlivé pre oči. Špeciálne navrhnuté nastavce na ošetrovanie minimalizujú únik svetla. Ak bude odrazené svetlo nepríjemné, môžete pred každým zábleskom zatvoriť oči..

RECYKLÁCIA



Aby nedochádzalo k ohrozeniu zdravia a životného prostredia vplyvom nebezpečných látok, prístroje a nabíjacie a nenabíjacie batérie označené niektorým z týchto symbolov nesmú byť likvidované s netriedeným komunálnym odpadom. Elektrické a elektronické výrobky a prípadne nabíjacie a nenabíjacie batérie vždy odovzdajte na príslušnom oficiálnom mieste pre recykláciu / zber.



ČESKY

Děkujeme, že jste si zakoupili nový výrobek značky Remington®. Přečtěte si, prosím, pozorně návod a uložte ho na bezpečné místo. Před použitím odstraňte veškeré obaly.

DŮLEŽITÉ BEZPEČNOSTNÍ POKYNY

- Tento přístroj by neměl být používán osobami mladšími 18 let a osobami se sníženými fyzickými, smyslovými a psychickými schopnostmi nebo nedostatkem zkušeností a znalostí, pokud nejsou pod dohledem nebo poučení zkušenou osobou a rozumí tak všem možným rizikům při používání. Děti si s tímto přístrojem nesmí hrát. Čištění a udržování přístroje nesmí být prováděno osobou mladší 18 let.
- Přístroj i kabel uchovávejte mimo dosah dětí mladších 8 let.
- Výrobek nepoužívejte, pokud je šňůra poškozená. Výměnu lze zajistit prostřednictvím našich mezinárodních servisních center.
- ⚠ Tělo tohoto přístroje není omyvatelné či voděodolné. Přístroj nenamáčejte do kapalin; nepoužívejte ho v blízkosti vody, ve vaně, umyvadle či jiné nádobě; a nepoužívejte ho venku.
- Tento produkt může vyzařovat nebezpečné optické záření. Nedívejte se přímo do zdroje světla, mohlo by dojít k poškození zraku.
 - Tento přístroj používejte jen k účelu, k jakému je určen, jak je popsáno v tomto manuálu.
 - Přístroj nepoužívejte, pokud je poškozen či pokud nefunguje správně.
 - Nenechávejte přístroj bez dozoru, když je zapojen do sítě.
 - Napájecí šňůru a zástrčku chraňte před stykem s horkými povrchy.
 - Nepoužívejte jiné nástavce než ty, které vám dodáme my.
 - Dávejte pozor, aby se kabel nezkroutil či nezauzloval a neomotávejte ho kolem strojeku.
 - Přístroj nezapojujte ani nevypojujte mokřými rukama.
 - Tento přístroj není určen pro komerční nebo salónní použití.

Než začnete i-LIGHT používat:

Pečlivě si přečtěte všechna upozornění a informace týkající se bezpečnosti. Než začnete, zkontrolujte, zda je i-LIGHT pro vás vhodný.

Používejte tabulku typů pokožky a chloupků uvedenou na čelní straně tohoto návodu, a také integrované čidlo pokožky, abyste zjistili, zda je pro vás přístroj vhodný (Obr. 1).

UPOZORNĚNÍ: Přístroj i-LIGHT není vhodný pro velmi tmavou či černou pokožku. i-LIGHT neúčinkuje na světlé či šedé chloupky a je méně účinný na blond a zrzavé chloupky.

Použití na obličej: Vhodné pouze pro použití na ženské obličejové chloupky na tvářích, na stranách uší, bradě, krku a nad horním rtem (Obr. 2).

NEPOUŽÍVEJTE na oči, obočí či řasy. Pokud tak učiníte, můžete si způsobit vážné a trvalé poškození očí.

Typ pokožky

- Nepoužívejte na přirozeně tmavou pokožku, mohli byste si způsobit popáleniny, puchýře a změny barvy pokožky.
- Nepoužívejte na opálenou pokožku či na pokožku nedávno vystavenou slunečnímu záření, mohli byste si způsobit popáleniny či poranění.
- Přístroj i-LIGHT neúčinkuje na přirozeně bílé, šedé, blond či zrzavé chloupky na těle a obličej.

Oblasti, které se nesmějí upravovat:

- Nepoužívejte na pokožku hlavy a uši.
- Nepoužívejte na mužský obličej nebo krk.
- Nepoužívejte nad lícními kostmi (u žen)
- Nepoužívejte na bradavkách, dvorcích prsních bradavek či genitáliích.
- Přístroj nepoužívejte, pokud máte v místě, které chcete upravit, tetování či permanentní make-up.
- Nepoužívejte na tmavě hnědých či černých skvrnách, jako jsou znaménka, mateřská znaménka či pihy.
- Nepoužívejte v oblastech nedávných operací, hlubokých peelingů, vyhlazování laserem, jizev nebo na pokožce poškozené popáleninami či opařením.

Kdy nepoužívat/Kdy se vyvarovat používání i-LIGHT

- NEPOUŽÍVEJTE, pokud je na místech, které chcete ošetřit, pokožka opálená. Pokožka by mohla být příliš tmavá a ošetření na opálených místech by mohlo dočasně způsobit opuchnutí pokožky, puchýře, anebo by mohlo změnit barvu pokožky. Před ošetřením počkejte, dokud opálení nevybledne.
- NEPOUŽÍVEJTE na pokožku s aplikovaným kosmetickým přípravkem, protože ošetření na takových místech by mohlo dočasně způsobit opuchnutí pokožky, puchýře, anebo by mohlo změnit barvu pokožky. Oblast pokožky, kterou plánujete ošetřit, před použitím důkladně očistěte.
- NEOZAŘUJTE během jednoho sezení ošetřované místo vícekrát, protože by to mohlo dočasně způsobit opuchnutí pokožky, puchýře, anebo změnit barvu pokožky.
- NEOŠETŘUJTE jakoukoliv oblast častěji než jednou týdně, výsledky to totiž neurýchlí, ale mohlo by to zvýšit pravděpodobnost opuchnutí pokožky, vzniku puchýřů či změny barvy pokožky.
- NEPOUŽÍVEJTE na poškozenou pokožku včetně otevřených ran, oparů, sluncem spálené pokožky, anebo oblastí, kde jste podstoupili pleťový peeling či jinou proceduru na změnu povrchu pokožky v posledních 6-8 týdnech.
- NEPOUŽÍVEJTE na podrážděnou pokožku, včetně vyrážek či napuchlé pokožky. Tyto stavy mohou způsobit přecitlivění pokožky. Před použitím počkejte, dokud se postižené místo nezahojí.
- NEPOUŽÍVEJTE, pokud je vaše pokožka citlivá na světlo. Abyste zjistili, zda můžete i-LIGHT používat, proveďte si test na malém kousku pokožky a před samotným ošetřením počkejte 24 hodin, jestli se neobjeví nějaké nepříznivé reakce.
- NEPOUŽÍVEJTE, pokud jste těhotná nebo můžete být těhotná, anebo pokud kojíte. i-LIGHT nebyl testovaný na těhotných ženách. Během těhotenství či kojení dochází běžně k hormonálním změnám, které mohou zvýšit citlivost pokožky a riziko poškození pokožky.
- NEOZAŘUJTE jiný materiál než pokožku.
- NEPOUŽÍVEJTE přístroj i-LIGHT k jinému účelu, než je odstraňování chloupků.
- NEOŠETŘUJTE žádnou oblast, na které byste mohli v budoucnosti chtít mít opět ochlupení. Výsledky mohou být stálé a nevratné.
- Nepoužívejte na obličej, pokud jste měli opary; použití IPL nebo jakékoliv úpravy, které dráždí pokožku, může zapříčinit opětovný výskyt oparů.
- Pokud jste se podrobili profesionálnímu nebo klinickému nebo doma vykonanému odstraňování chloupků laserem nebo IPL nebo odstraňování chloupků elektrolýzou, počkejte alespoň 6 měsíců, než použijete i-LIGHT. Pokud jste v ošetřované oblasti odstraňovali chloupky voskem, vytrháváním nebo epilací, počkejte alespoň 6 týdnů, než použijete i-LIGHT. Přístroj vyžaduje část ochlupení pod pokožkou na to, aby poškodil chloupek u kořínku, čili není účinný, pokud byl chloupek odstraněn.
- Nepoužívejte nad umělými náhradami a v jejich blízkosti, jako jsou silikonové implantáty, antikoncepční implantáty Implanon, kardiostimulátory, podkožní injekční implantáty (dávkačče inzulínu) anebo piercing.
- Ačkoliv při studiích nebyly hlášeny žádné problémy spojené s používáním těchto přístrojů, doporučuje se dodržovat všechna upozornění při používání aktivních implantovaných zařízení týkající se použití elektronických zařízení, aby se předešlo selhání či přerušování činnosti aktivního implantovaného přístroje.
- Zařízení bezdrátové komunikace může přístroj i-LIGHT ovlivňovat a mělo by být umístěné ve vzdálenosti minimálně 3,3 m.
- Nepoužívejte nad či blízko kovových pilin, dentálních implantátů či rovnátek.

**KLÍČOVÉ VLASTNOSTI (OBR. 3)**

- | | |
|----------------------------------------|------------------------------------|
| 1. Hlavní spínač | 10. Napájecí šňůra pro rukojeť |
| 2. Vstup napájení | 11. Zábleskové okénko |
| 3. Napájecí sada | 12. Čidla kontaktu s pokožkou |
| 4. Rukojeť | 13. Nástavec na tělo |
| 5. ✦ Výkonný režim zábleskové tlačítko | 14. Nástavec na obličej |
| 6. ✎ Citlivý režimzábleskové tlačítko | 15. Napájecí šňůra |
| 7. ⚡ Spěšný režim zábleskové tlačítko | 16. Bezprašná látka |
| 8. LED kontrolky | 17. Cestovní pouzdro (nezobrazeno) |
| 9. Senzor odstínu pokožky | |

ZAČÍNÁME

Přední a zadní stranu tohoto návodu k obsluze si rozložte, abyste se při jeho pročitání mohli dívat i na obrázky. Při prvním použití přístroje i-LIGHT buďte trpěliví jako s každým novým přístrojem, chvíli vám může trvat než se s přístrojem sžijete. Nespěchejte a prvně se s přístrojem i-LIGHT důkladně seznamte. Jsme přesvědčeni, že budete přístroj používat rádi a že vám bude roky sloužit k naprosté spokojenosti.

SEZNAMOVÁNÍ SE S PŘÍSTROJEM i-LIGHT

Co je přístroj i-LIGHT?

The i-LIGHT system is a revolutionary light-based device designed for the removal of unwanted body hair and female facial hair at home.

i-LIGHT utilises similar clinically-proven technology that professional dermatologists and salons use, optimised for personal treatment.

Co je to intenzivní pulzní světlo (IPL) a jak funguje i-LIGHT?

IPL (intenzivní pulzní světlo) je uznávaná technologie, která se používá na celém světě déle než 15 let. i-LIGHT využívá této technologie tak, že ozáří vaši pokožku intenzivním světelným zábleskem.

Tento záblesk pracuje pod povrchem pokožky tak, že působí na chloupky u kořínků a pomáhá zastavit jejich růst (Obr 4). Energie světelného záblesku je přitahována tmavým zbarvením, přičemž nejlepší výsledky se dosahují na tmavších chloupkách.

Přístroj i-LIGHT je určen k použití na světlý, střední a tmavý odstín pokožky (odstíny pokožky I-V).

Co od i-LIGHT očekávat

Výsledky nejsou okamžité a mohou se lišit případ od případu. Většina uživatelů zpozoruje úbytek chloupků během 1-2 týdnů po prvním ošetření. Během této doby se může zdát, že chloupky dále rostou, ale ve skutečnosti jsou vytlačovány ven (obr. 5).

Chloupky rostou cyklicky ve 3 různých fázích po dobu 18-24 měsíců (obr. 6). Pouze chloupky v aktivní fázi růstu jsou vhodné k ošetření, čili z tohoto důvodu je k dosažení optimálních výsledků třeba úpravu provést vícekrát.

Aby došlo k ošetření každého aktivního chloupku, je důležité pokračovat s úpravou v plném režimu a ošetření ještě několikrát zopakovat.

Režim úpravy

Úprava v plném režimu se provádí třikrát vždy po dvou týdnech. Individuální výsledky se mohou lišit, čili k dosažení optimálních výsledků může být zapotřebí úpravu provést několikrát. Objeví se nové chloupky, které budou méně husté, jemnější a světlejší barvy, než ochlupení původní. Tento opětovný růst chloupků je absolutně normální a měl by být očekáván. Po dokončení plného režimu úpravy dosáhnete ještě lepších výsledků, když ošetření vždy po čtyřech týdnech znovu zopakujete. Při nepřerušovaném pravidelném používání vždy po čtyřech týdnech se dobré výsledky dostaví během 8-12 týdnů (u tmavších odstínů pokožky to může trvat déle). Nepoužívejte častěji než jednou za dva týdny. POZNÁMKA: Během jednoho zákroku by se nemělo to samé místo ošetřovat vícekrát, účinnost se tím nezvýší, ale zvýší se riziko podráždění pokožky.

SEZNAMTE SE S PŘÍSTROJEM i-LIGHT

Zábleskové okénko s vestavěným UV filtrem (Obr. 7)

VAROVÁNÍ: Před použitím zábleskové okénko vždy zkontrolujte a ujistěte se, že čočka není poškozená.

VAROVÁNÍ: Před použitím zábleskové okénko vždy očistěte přiloženou bezprašnou látkou, aby na čočce nebyl olej a nečistoty.

Čidlo kontaktu s pokožkou (Obr. 8)

Tento bezpečnostní mechanismus zabraňuje náhodnému záblesku. Přístroj nevyšle záblesk pokud obě čidla pro kontakt s pokožkou nebudou k pokožce přiložená.

Výkonný režim, Citlivý režim, Spěšný režim (Obr. 9)

Tlačítka Výkonného režimu, Citlivého režimu a Spěšného režimu se všechna nachází na rukojeti.

Detektor odstínu pokožky (Obr. 10)

Umožňuje použití pouze na vhodné odstíny pokožky.

Nástavce:

Nástavec na tělo na velké oblasti pod krkem (Obr. 11).

Nástavec pro přesnou úpravu menších oblastí na ženském obličej, čili na tvářích, na stranách u uší, bradě, krku a nad horním rtem (Obr. 12).

Uvolnění nástavce (Obr. 13)

Nástavec uchopíte na označených místech a silně za něj zatáhněte rovně nahoru, čímž se nástavec uvolní. Až budete nástavec dávat zpátky, při nasazování vám pomohou magnety, které nástavec správně navedou na místo.

PŘÍPRAVA K POUŽITÍ

POKOŽKU PŘED PROVEDENÍM ÚPRAVY PŘIPRAVTE

- Zajistěte, aby byla oblast na ošetření čistá a zbavená olejů, deodorantů, parfémů, make-upu, tělového mléka a krému. Oholte nebo zastříhněte ochlupení v oblasti, která se má ošetřit, a pokožku očistěte a vysušte.
- Při použití na obličej si můžete chtít chloupky zastříhnout. Pokud je budete zastříhovat, musíte je zastříhnout na délku kratší než 0,5 mm.
- Nikdy nepoužívejte vosk, epilaci, pinzetu nebo jiné metody, které odstraňují chloupek i s kořínkem. IPL totiž není účinný, pokud byl chloupek vytržen.

PŘÍPRAVA PŘÍSTROJE i-LIGHT K POUŽITÍ

- Přívodní šňůru zapojte do sítě.

ZKONTROLUJTE SI ODSTÍN POKOŽKY

- Pro zjištění, zda je tento přístroj vhodné použít na váš odstín pokožky, porovnejte pokožku v místě zamýšlené úpravy s Tabulkou odstínů pokožky uvedenou na začátku tohoto návodu (Obr. 1).
- Pokud vaše pokožka odpovídá světlému, střednímu nebo tmavému odstínu pokožky (Skin Tone) v Tabulce odstínů pokožky (I-V), přístroj i-LIGHT můžete používat.
- Pokud váš odstín pokožky v místě zamýšlené úpravy odpovídá nejtmaššímu odstínu v Tabulce odstínů pokožky (odstín VI - Skin Tone VI), přístroj **NEPOUŽÍVEJTE**.
- Tento model přístroje i-LIGHT má v nástavci vestavěný DETEKTOR ODSTÍNU POKOŽKY, jehož úkolem je pomoci zabránit bezděčným zábleskům na pokožce, která je pro úpravu příliš tmavá.
- Pokud je vaše pokožka k úpravě vhodná, přístroj i-LIGHT vyše záblesk a LED kontrolky na boku rukojeti budou svítit bíle. Počet rozsvícených kontrolků určuje odstín vaší pokožky.
- Pokud je vaše pokožka příliš tmavá a pro úpravu se nehodí, přístroj slabě bleskne a následně 4x slyšitelně pípne a na boku rukojeti se rozsvítí červená LED kontrolka.
- Pokud se domníváte, že je vaše pokožka na základě Tabulky odstínů pokožky (Obr. 1) pro úpravu vhodná, ale přístroj vždy slabě bleskne a 4x slyšitelně pípne, zkuste úpravu provést na jiném místě.

TESTOVÁNÍ PŘÍSTROJE i-LIGHT NA VAŠÍ POKOŽCE

Otestujte přístroj i-LIGHT na malém kousku pokožky a počkejte 24 hodin, abyste se ujistili, že se nevyskytnou nepříjemné reakce.

1. Přiložte rukojeť i-LIGHT k pokožce tak, aby zábleskové okénko bylo v přímém kontaktu s pokožkou.
2. Ujistěte se, že Čidla kontaktu s pokožkou jsou zcela přiložena a že kontrolky LED svítí bíle.
3. Zvolte vámi požadovaný režim a stiskněte tlačítko pro vyslání záblesku.
TIP: Slabě až jemně nepohodlí je normální, ale možná je dobré začít v Citlivém režimu a na Výkonný režim přepnout, až vám to bude příjemné.
4. Počkejte 24 hodin a potom si prohlédněte testovanou oblast. Pokud pokožka vypadá normálně, pokračujte ve svém prvním úplném ošetření s takovou úrovní energie, kterou jste si stanovili jako vhodnou pro vás.
POZN.: Přístroj musíte otestovat na každé oblasti tváře nebo těla, kterou chcete ošetřovat.

ZVOLTE PROVOZNÍ REŽIM

- DETEKTOR ODSTÍNU POKOŽKY integrovaný v upravovací hlavě u každého nastavení nastaví potřebnou míru intenzity podle zjištěného odstínu pokožky.



ČESKY

- Tento model přístroje i-LIGHT má k dispozici 3 různé provozní režimy: Výkonný režim (maximální intenzita), Citlivý režim a Spěšný režim. Přístroj bude po zapnutí (ON) ve Výkonném režimu. Ve výkonném a Citlivém režimu přístroj vyšle záblesk přibližně každé 3 sekundy, ve spěšném režimu za méně než 1 sekundu.

Výkonný režim

Výkonný režim (maximální intenzita) vám zajistí tu nejvyšší míru intenzity, která je pro vás vhodná. Tento režim je vhodný jak pro úpravu velkých tak malých oblastí, a přináší lepší výsledky. Výkonný režim vám při odstraňování chloupků zajistí ty nejlepší výsledky při menším počtu úprav, ale může to být méně příjemné.

Citlivý režim

Citlivý režim je určen těm, kterým Výkonný režim připadá příliš intenzivní. Citlivý režim je méně intenzivní a je vhodný pro ty, kteří citlivěji reagují na nepohodlí, ale přitom se také chtějí zbavit nechtěného ochlupení. Při použití v tomto režimu je obvykle třeba provést o něco více úprav, aby se docílilo požadovaných výsledků.

Spěšný režim

Spěšný režim uživateli nabízí možnost příjemnější úpravy z hlediska časové náročnosti. V tomto režimu můžete upravovat větší oblasti mnohem rychleji, ovšem účinnost může být nižší a pro docílení požadovaných výsledků je třeba provést o něco více úprav.

POZNÁMKA: Jakmile dojde k zapnutí přístroje, přístroj se automaticky nastaví do Výkonného režimu (maximální intenzita).

- Pokud si přejete zvolit jiný režim, stiskněte požadované tlačítko, které se následně rozsvítí.
- Poté, co se rozhodnete, který provozní režim vám nejlépe vyhovuje, a tento režim zvolíte, přiložte přístroj zábleskovým okénkem pevně k pokožce.
- Nyní je přístroj připraven vyslat první záblesk. Pokud volbu Citlivého nebo Spěšného režimu chcete zrušit, stačí znovu stisknout zvolené tlačítko a přístroj se přepne zpátky do Výkonného režimu, čili svítit bude jen Zábleskové tlačítko

OŠETŘENÍ

VÝMĚNA NÁSTAVCŮ

- Součástí vašeho přístroje i-LIGHT jsou dva upravovací nástavce:
- Nástavec na tělo je určen k použití na větší oblasti, jako jsou chloupky na těle.
- Nástavec pro přesnou úpravu je určen k použití na menší oblasti, jako jsou chloupky na ženském obličejí, v podpaží či oblasti bikin.

Výměna nástavců:

UPOZORNĚNÍ: Vždy se ujistěte, že je přístroj vypnutý (OFF) a že přívodní šňůra je vypojená, než budete upravovací nástavec snímat.

- Než přistoupíte k výměně upravovacího nástavce, nechte přístroj napřed 5 minut vychladnout.
- 1. Hlavní vypínač vypněte (OFF) a vypojte přívodní šňůru ze sítě.
- 2. Uchopte přístroj jednou rukou a druhou opatrně sejměte upravovací nástavec (Obr. 13).
POZNÁMKA: Upravovací nástavce jsou k přístroji přichyceny magnetem a měly by jít sejmout snadno.
TIP: Nepoužívaný upravovací nástavec uložte na bezpečném místě (např. v původním obalu) a dávejte pozor, aby nedošlo k poškození zábleskového okénka a jiných komponentů.
- 3. Ten druhý upravovací nástavec opatrně přiložte k přístroji a ujistěte se, že zacvakl na místo.

Jak provádět úpravu:

1. Přiložte zábleskové okénko k pokožce – ujistěte se, že jsou čidla kontaktu s pokožkou zcela přiložena.
2. Pokud jsou Čidla kontaktu s pokožkou zcela přiložena, zábleskové okénko na přístroji bude blikat bíle a LED kontrolky na boku rukojeti se rozsvítí, což signalizuje, že je přístroj připraven vyslat záblesk.
POZNÁMKA: Pokud Čidla kontaktu s pokožkou nejsou k pokožce zcela přiložena, přístroj nebude fungovat, a když stisknete zábleskové tlačítko, ozve se zabzučení. Znovu prosím prověřte, zda jsou Čidla kontaktu s pokožkou k pokožce zcela přiložena.
3. Stiskněte zábleskové tlačítko pro vyslání záblesku. Měli byste očekávat, že uvidíte jasný záblesk světla (podobný blesku z fotoaparátu), a také ucítíte mírný pocit tepla.
4. Přejděte na další místo a provádějte úpravu ve svislých a vodorovných tazích, abyste ošetřovanou oblast zcela pokryli.

- V režimu jednorázového záblesku stiskněte zábleskové tlačítko vždy po každém přesunutí na další místo.
- V režimu vícenásobného záblesku zábleskové tlačítko držte stisknuté prstem a jen přejeďte na další místo, ovšem se ujistěte, že jsou čidla kontaktu s pokožkou k pokožce zcela přiloženy. Přístroj vyše další záblesk automaticky po 3 vteřinách (ve Výkonném režimu s maximální intenzitou).
- Když během režimu vícenásobného záblesku zábleskové tlačítko pustíte nebo ztratíte přímý kontakt s pokožkou, jednoduše pokračujte opakováním výše uvedených kroků.

Úprava obličeje (použití jen pro ženy)

Úprava obličeje (použití jen pro ženy)

Chloupky na obličeji se mohou od chloupků na těle velmi lišit a pokožka na obličeji bývá citlivější a více vystavovaná slunci, čili paprskům; takže odstraňování chloupků na obličeji je jiné než odstraňování chloupků na těle – předtím než začnete s úpravou obličeje se prosím ujistěte, že jste si pečlivě přečetli upozornění a bezpečnostní opatření.

DŮLEŽITÉ: Nástavec pro přesnou úpravu je přímo určen k odstraňování ženských obličejových chloupků, které mají svá specifika. NEPOUŽÍVEJTE na obličej Nástavec na tělo. Pro více informací viz oddíl „Výměna nástavců“.

Nástavec pro přesnou úpravu je určen pouze k odstraňování ženských obličejových chloupků na tvářích, na stranách u uší, bradě, krku a nad horním rtem (Obr. 2).

NEPOUŽÍVEJTE na mužské vousy či mužské obličejové chloupky, poněvadž výsledky mohou být trvalého charakteru nebo nerovnoměrné, čili může dojít ke změnám v obličejových rysech, což nemusí být žádoucí.

TIPY NA ÚPRAVU

Nástavec na tělo

- Pro optimální výsledky se vyhněte překrývání záblesků. Předjedete tak ozařování větší energií, než je k potlačení růstu chloupků třeba. Také zajišťuje, že dojde k maximálnímu využití žárovky.
- Nejefektivnějších výsledků dosáhnete používáním nejvyšší úrovně intenzity, která nepůsobí nepříjemně na pokožku. Úroveň, kterou používáte, by měla působit tak, abyste na pokožce cítili teplo, ale neměla by nikdy působit nepříjemně.
- Můžete zpozorovat, že kostnaté oblasti, jako například lokty, holeně a kotníky, jsou při úpravě citlivější. To je normální a nemělo by vás to znepokojovat. Této citlivosti zabráníte tak, že se při úpravě budete snažit pokožku natáhnout dále od kostnatých oblastí.

Úprava obličeje

- Test na kousku pokožky – protože pokožka na obličeji bývá citlivější, ujistěte se, že jste před započatím úpravy provedli test na malém kousku pokožky. Pro podrobnější informace viz oddíl „Ozkoušení přístroje i-LIGHT na vaší pokožce“.
- Úpravu provádějte před zrcadlem – zrcadlo vám zajistí dobrý výhled na upravovanou oblast a pomůže vám vyvarovat se úpravy rtů či dalších tmavých míst. Pokud je vám odrážené světlo nepříjemné, můžete před každým zábleskem zavřít oči.
- Pro lepší kontakt s pokožkou pokožku propněte – kontury pokožky mohou v určitých oblastech bránit úplnému přitlačení senzoru k pokožce. Možná vám bude připadat jednoduší zkusit propnout horní ret jeho přetažením přes zuby nebo propnout tváře pomocí jazyka, a tak dosáhnout lepšího kontaktu s pokožkou.

PÉČE PO ÚPRAVĚ

Po úpravě můžete na pokožce zaznamenat jemné zarudnutí či pocit tepla. To je normální a brzy to odezní. Abyste se vyhnuli podráždění pokožky po úpravě, řiďte se následujícími doporučeními:

- 24 hodin po úpravě se vyhněte pobytu na slunci. 2 týdny po každé úpravě pokožku chraňte SPF faktorem 30.
- Minimálně 2 týdny po poslední úpravě se nevystavujte intenzivnímu slunečnímu záření, čili neopalujte se, nechoďte do solária, nebo nepoužívejte samoopalovací přípravky.
- Po úpravě udržujte oblast čistou a suchou, aby jste udrželi pokožku hydratovanou.
- Dokud se zarudlá nebo jinak podrážděná pokožka nevrátí do normálu, vyhněte se koupání, sprchování a nechoďte ani do parní komory či sauny.



ČESKY

- Po dobu úpravy si nedělejte depilaci (voskem, trháním nebo krémem) – holení je dovoleno, pokud s holením po každé úpravě počkáte minimálně 24 hodin.
- Nepoužívejte bělicí krémy nebo parfemované výrobky 24 hodin po úpravě

ŽÁROVKA NA 300 000 ZÁBLESKŮ

- Životnost žárovky je 300 000 záblesků.
- Výrobce garantuje, že tato žárovka vydrží po celou dobu záruky, jak je uvedeno na záručním listu, který je součástí tohoto výrobku.
- Až žárovka dosáhne 99% své maximální životnosti, jedna z LED kontrolků na boku rukojeti bude svítit po zapnutí červeně.
- Až životnost žárovky vyprší, nebude již možné přístroj použít.

ČIŠTĚNÍ PŘÍSTROJE i-LIGHT

⚠ POZOR: Před čištěním vašeho i-LIGHT zkontrolujte, zda je přístroj vypnutý (OFF) a nabíjecí kabel z přístroje vypojený.

Pravidelné čištění pomáhá zajistit optimální výsledky a dlouhou životnost přístroje.

- K čištění zábleskového okénka používejte pouze hadřík nepouštějící vlákna, který je dodán spolu s přístrojem i-LIGHT. Dávejte pozor, ať zábleskové okénko nepoškrábáte či nenaštípnete. Škrábance a naštípnutí mohou snížit účinnost přístroje.
- K odstranění zaschlých skvrn ze zábleskového okénka použijte vatovou tyčinku zvlhčenou v čistém lihu. Lehce naneste na zábleskové okénko a potom jemně vyčistěte dodaným hadříkem nepouštějícím vlákna.
 - ◆ **VAROVÁNÍ:** Pokud je zábleskové okénko prasklé nebo rozbité, přístroj nesmí být používán. Nikdy neškrábejte filtrační sklo ani kovový povrch uvnitř upravovací hlavy.
 - ◆ **UPOZORNĚNÍ:** i-LIGHT je vysokonapěťový přístroj. Nikdy ho neponořujte do vody. Nikdy přístroj ani žádné jeho části neumývejte pod kohoutkem nebo v myčce.

Uskladnění

Přístroj vypněte, vytáhněte ho ze sítě a nechte před uskladněním 10 minut vychladnout.

ODSTRAŇOVÁNÍ PROBLÉMŮ

- Před použitím přístroje i-LIGHT si vždy pečlivě přečtěte tyto pokyny
- Pokud máte s přístrojem i-LIGHT nějaké problémy, nahlédněte do tohoto průvodce řešení problémů. Tento oddíl je věnován nejběžnějším problémům, se kterými se můžete u přístroje i-LIGHT setkat. Pokud jste se řídili pokyny uvedenými v tomto oddílu a problémy přetrvávají, obraťte se pro další pomoc na servisní centrum Remington

Hlavní spínač je zapnutý (ON), ale přístroj nefunguje.

- Ujistěte se, že je přístroj zapnutý v elektrické zásuvce.
- Zkuste ho zapojit do jiné zásuvky.

Zdá se, že na přístroji jsou praskliny nebo že je rozbitý.

- Přístroj nepoužívejte, pokud je poškozený. Pokud si používáním přístroje nejste jisti, přestaňte ho používat a obraťte se pro další pomoc na servisní centrum Remington®.

Přístroj jsem zapnul (ON), ale nemůžu změnit režim.

- Zkuste resetovat přístroj vypnutím, počkejte několik vteřin a znovu ho zapněte.

Je cítit zvláštní zápach.

- Ujistěte se, že je oblast před úpravou zcela oholená.

Upravované oblasti po úpravě zrudnou.

- To je normální a toto zarudnutí by mělo vymizet. Pokud ne, zkuste přepnout na Citlivý režim.
POZNÁMKA: Pokud se přístroj i-LIGHT příliš zahřeje, přepne se do režimu vyčkávání. V režimu vyčkávání se 5 LED kontrolků na boku rukojeti začne postupně rozsvěcovat. Počkejte několik minut, aby rukojeť mohla vychladnout. Není potřeba přístroj vypínat, LED kontrolky svítit přestanou, jakmile bude přístroj znovu připraven k použití.

ČASTO KLADENÉ OTÁZKY

- Pro nahlédnutí do kompletního seznamu ČKO prosím navštivte (www.remington-ilight.com)

Ot. Jaká místa na těle mohou pomocí přístroje i-LIGHT ošetřovat?

Od. i-LIGHT je určen pro muže i ženy v oblastech pod krkem, včetně nohou, podpaží, linie bikin, paží, hrudi a zad. Ženy jej mohou používat i na chloupky na obličeji pod lícími kosti.

Ot. Jaká rizika jsou s používáním přístroje i-LIGHT spojena. Je bezpečný?

Od. Bylo prokázáno, že přístroj i-LIGHT je bezpečný a účinný, ovšem jako u každého jiného elektronického zařízení, je třeba si přečíst návod k použití a bezpečnostní upozornění, a řídit se jimi.

Ot. Je metoda IPL pro kůži při dlouhodobém používání nebezpečná?

Od. Žádné vedlejší účinky ani poškození kůže při dlouhodobém používání intenzivního pulzního světla (IPL) nebylo hlášeno.

Ot. Proč mi chloupky rostou i po provedení úpravy?

Od. Výsledky nejsou okamžité a mohou se lišit případ od případu. Většina uživatelů zpozoruje úbytek chloupků během 1-2 týdnů po prvním ošetření. Během této doby se může zdát, že chloupky dále rostou, ale ve skutečnosti jsou vytlačovány ven. Chloupky rostou cyklicky ve 3 různých fázích po dobu 18-24 měsíců. Pouze chloupky v aktivní fázi růstu jsou vhodné k ošetření, čili z tohoto důvodu je k dosažení optimálních výsledků pokožku třeba ošetřit několikrát. Další důvodem opětovného růstu může být fakt, že jste dané místo při úpravě vynechali. Pokud zaznamenáte opětovný růst, režim úpravy zopakujte.

Ot. Proč nemůžu i-LIGHT používat po nedávném slunění?

Od. Sluneční paprsky způsobují, že se nám tvoří v kůži vysoké hodnoty melaninu, což zvyšuje riziko, že se nám po úpravě budou vytvářet popáleniny či puchýře.

Ot. Potřebuji si při používání přístroje i-LIGHT chránit oči?

Od. Ne, přístroj očím neškodí. i-LIGHT je vybaven bezpečnostním systémem, který zabraňuje neúmyslnému vyslání záblesku, když přístroj není v kontaktu s pokožkou. Malá dávka světla, která během úpravy vyzařuje, je podobná dávce světla z blesku fotoaparátu a oči nepoškozuje. Speciálně navržené Upravovací nástavce minimalizují únik světla. Pokud je vám odrážené světlo nepříjemné, můžete před každým zábleskem zavřít oči.



RECYKLACE



Aby nedocházelo k ničení životního prostředí a zdraví kvůli obsaženým nebezpečným látkám, přístroje a dobíjecí i nedobíjecí baterie označené jedním z těchto symbolů nesmějí být vyhazovány do směsného komunálního odpadu. Elektrické a elektronické výrobky, a pokud to přísluší, i dobíjecí i nedobíjecí baterie, vždy likvidujte na oficiálním recyklačním/sběrném místě.

POLSKI

Dziękujemy za zakup nowego produktu Remington®. Przed użyciem zapoznaj się uważnie z instrukcją obsługi i zachowaj ją na przyszłość. Przed użyciem wyjmij produkt z opakowania.

WAŻNE WSKAZÓWKI BEZPIECZEŃSTWA

- Urządzenie nie powinno być używane przez osoby w wieku poniżej 18 lat oraz osoby o ograniczonej zdolności fizycznej, czuciowej lub psychicznej lub osoby, które nie posiadają doświadczenia i wiedzy, chyba że zostały one nadzorowane / poinstruowane i rozumieją niebezpieczeństwa związane z używaniem produktu. Dzieci nie mogą bawić się urządzeniem. Czyszczenie i konserwacja produktu nie może być wykonana przez osoby poniżej 18 roku życia.
- Należy zwracać uwagę na dzieci, aby nie bawiły się sprzętem.
- Nie używaj urządzenia, jeśli przewód jest uszkodzony. Wymiany można dokonać w naszych centrach usług międzynarodowych.
- ⊘ Korpus urządzenia nie jest wodoodporny i nie należy go myć. Nie wkładaj urządzenia do cieczy, nie używaj go w pobliżu wanny, brodzika, innych pojemników oraz na zewnątrz pomieszczeń.
- Możliwe jest niebezpieczne promieniowanie optyczne emitowane przez ten produkt. Nie patrz na źródło światła, które może być szkodliwe dla oczu.
- Wykorzystuj urządzenie wyłącznie zgodnie z jego przeznaczeniem opisanym w niniejszej instrukcji.
- Nie używaj urządzenia, jeśli jest uszkodzone lub działa wadliwie.
- Nie pozostawiaj włączonego do sieci urządzenia bez nadzoru.
- Wtyczkę i przewód zasilający należy trzymać z dala od gorących powierzchni.
- Nie należy używać nakładek innych niż te, które dostarczamy.
- Nie obracaj, nie zginaj przewodu zasilającego, ani nie owijaj go wokół urządzenia.
- Nie podłączaj lub odłączaj urządzenia mokrymi rękami.
- Urządzenie nie jest przeznaczone do użytku zarobkowego czy też zastosowania w salonach fryzjerskich.

Zanim zaczniesz używać i-LIGHT:

Upewnij się, że przeczytałeś wszystkie ostrzeżenia i informacje dotyczące bezpieczeństwa.

Wykorzystaj wykres klasyfikacji fototypów skóry znajdujący się na początku niniejszej instrukcji i przy pomocy zintegrowanego czujnika skóry określ, czy to urządzenie jest dla Ciebie odpowiednie (Rys. 1).

OSTRZEŻENIE: i-LIGHT nie nadaje się do stosowania na skórze bardzo ciemnej lub czarnej. i-LIGHT nie jest skuteczny na włosach naturalnie siwych lub szarych i jest mniej skuteczny na włosach blond lub rudych.

Do zabiegów na twarzy: jest przeznaczony tylko do usuwania owłosienia na twarzy kobiecej, na policzkach, бакach, podbródku, szyi i nad wargami (Rys. 2).

NIE NALEŻY używać w okolicach oczu, brwi i rzęs. Może to spowodować poważne i trwałe uszkodzenie oczu.

Typ skóry

- Nie należy stosować na naturalnie ciemnej skórze, ponieważ mogą powstać oparzenia, pęcherze oraz zmiany karnacji skóry.
- Nie należy stosować na skórę opaloną lub po niedawnej ekspozycji na słońcu, gdyż może dojść do oparzeń lub uszkodzenia skóry.
- i-LIGHT nie jest skuteczny na włosach naturalnie siwych, szarych, blond lub rudych, na ciele lub na twarzy.

Powierzchnie skóry, na których nie można przeprowadzać zabiegu:

- Nie stosować na skórze głowy lub uszu.
- Nie stosować na męskiej twarzy lub szyi
- Nie stosować powyżej kości policzkowych (kobiecej).
- Nie stosować na sutki, brodawki lub narządy płciowe.
- Nie stosować na fragmenty skóry pokryte tatuażem lub permanentnym makijażem.
- Nie stosować na ciemnobrązowe lub czarne plamki jak znamiona, oznakowania lub piegi.
- Nie stosować na miejsca po niedawnej operacji, głębokim złuszczeniu naskórka, resurfacingu laserowym, na bliznach lub na skórze uszkodzonej przez oparzenia lub otarcia.

Kiedy nie stosować/Kiedy unikać stosowania i-LIGHT

- NIE STOSUJ, jeśli masz opaleniznę na fragmentach ciała, które chcesz poddać zabiegom. Skóra może być zbyt ciemna i zabiegi na opalonej skórze mogą przejściowo spowodować obrzęki skóry, pęcherze, a nawet skóra może zmienić kolor. Poczekać, aż opalenizna zniknie.
- NIE STOSUJ na skórę po kosmetykach; zabiegi na takich fragmentach ciała mogą przejściowo spowodować obrzęki skóry, pęcherze, a nawet skóra może zmienić kolor. Przed użyciem dokładnie umyj fragment ciała, na którym ma zostać dokonany zabieg.
- NIE STOSUJ wielokrotnego naświetlania tego samego miejsca w czasie jednej sesji, może to przejściowo spowodować obrzęki skóry, pęcherze, a nawet skóra może zmienić kolor.
- NIE STOSUJ naświetlania tego samego miejsca częściej niż raz w tygodniu, efekty nie przyjdą szybciej, natomiast może się zwiększyć prawdopodobieństwo wystąpienia obrzęków skóry, pęcherzy lub zmiany koloru skóry.
- NIE STOSUJ na uszkodzoną skórę, w tym na otwarte rany, opryszczkę, oparzenia słoneczne, oraz wcześniej jak po 6-8 tygodniach w miejscach, gdzie skóra łąszczy się i odbudowuje.
- NIE STOSUJ na podrażnioną skórę, w tym na wysypki i obrzęki skóry. Czynniki te mogą sprawić, że skóra stanie się bardziej wrażliwa. Takie obszary skóry przed przystąpieniem do zabiegu muszą być zdrowe.
- NIE STOSUJ, jeśli masz skórę wrażliwą na światło. W celu ustalenia, czy możesz używać i-LIGHT, zanim rozpoczniesz naświetlania, wykonaj test na małym fragmencie swojej skóry i odczekaj 24 godziny, aby sprawdzić czy nie wystąpiły jakieś niepożądane objawy.
- NIE STOSUJ, jeśli jesteś lub możesz być w ciąży albo karmisz piersią. i-LIGHT nie został przetestowany na kobietach w ciąży. Zwykle zmiany hormonalne okresu ciąży lub karmienia piersią mogą zwiększyć wrażliwość skóry i ryzyko uszkodzenia skóry.
- NIE STOSUJ na niczym innym jak skóra.
- NIE UŻYWAJ i-LIGHT do innych celów jak pozbywanie się włosów.
- NIE STOSUJ na miejsca, gdzie może będziesz chciał, aby włosy rosły. Efekty depilacji mogą być trwałe i nieodwracalne.
- Nie stosuj na twarz, jeśli chorowałaś na opryszczkę, zastosowanie IPL lub innego leczenia, które podrażnia skórę, może spowodować nawrót opryszczki.
- Jeśli wcześniej był użyty laser profesjonalny, kliniczny lub sterowany samodzielnie albo IPL, bądź były stosowane elektrolityczne zabiegi usuwania włosów, przed użyciem i-LIGHT należy odczekać, co najmniej 6 miesięcy. Jeśli wcześniej było stosowane woskowanie, wrywanie lub epilowanie włosów, przed użyciem i-LIGHT należy odczekać, co najmniej 6 tygodni. Urządzenie działa na mieszki włosowe pod skórą i nie będzie skuteczne, jeśli włosy były wrywane.
- Nie stosuj na lub w pobliżu niczego sztucznego jak silikonowe implanty, implanty antykoncepcyjne z implanonu, rozruszniki serca, podskórne porty do wstrzyknięć (dozownik insuliny) lub piercing.
- Chociaż podczas badań nie stwierdzono problemów związanych z użytkowaniem takich urządzeń, zaleca się przestrzeganie wszystkich ostrzeżeń i instrukcji dotyczących użytkowania urządzeń elektronicznych w celu uniknięcia ich uszkodzenia lub przerwania aktywnego działania implantowanej aparatury.
- Urządzenia komunikacji bezprzewodowej mogą wpływać na i-LIGHT, odległość od nich powinna wynosić co najmniej 3,3 m.
- Nie stosować w pobliżu metalowych plomb, implantów, aparatów ortodontycznych.

**GŁÓWNE CECHY (RYS. 3)**

- | | |
|--------------------------------------------------|----------------------------------------------|
| 1. Wyłącznik sieciowy | 10. Przewód rękojeści |
| 2. Wejście zasilania | 11. Okno emisji impulsu |
| 3. Tryb pracy | 12. Czujniki kontaktu ze skórą |
| 4. Rękojeść | 13. Nasadka do ciała |
| 5. ★ Tryb Normalny przycisk uwalniania impulsu | 14. Nasadka do twarzy |
| 6. ✂ Tryb Delikatny przycisk uwalniania impulsu | 15. Przewód zasilający |
| 7. ☞ Tryb Ekspresowy przycisk uwalniania impulsu | 16. Miękka ściereczka |
| 8. Lampki kontrolne LED | 17. Futerał do przechowywania (nie pokazano) |
| 9. Czujnik karnacji skóry | |

POLSKI

PIERWSZE KROKI

Rozłóż pierwszą i ostatnią stronę tej instrukcji w taki sposób, aby podczas czytania móc odnieść się do rysunków. Podobnie jak w przypadku każdego nowego urządzenia, zapoznanie się z urządzeniem i-LIGHT może wymagać nieco czasu. Poświęć chwilę, aby zaznajomić się z nowym urządzeniem i-LIGHT. Jesteśmy pewni, że będziesz je użytkować z pełnym zadowoleniem przez długie lata.

ZAPOZNAJ SIĘ Z i-LIGHT

Czym jest i-LIGHT?

System i-LIGHT jest oparty na rewolucyjnej technologii światła i jest przeznaczony do usuwania w warunkach domowych niechcianego owłosienia na ciele i kobiecej twarzy.

W i-LIGHT zastosowano sprawdzoną klinicznie technologię stosowaną z powodzeniem w profesjonalnych salonach i gabinetach dermatologicznych, zoptymalizowaną do użytku domowego.

Czym jest intensywny impuls świetlny (IPL) i jak działa i-LIGHT?

IPL - (Intense Pulsed Light) jest uznaną technologią stosowaną na całym świecie od ponad 15 lat. i-LIGHT wykorzystuje tę technologię do generowania intensywnych impulsów światła na skórze.

Impuls działa pod powierzchnię skóry do nasady włosów, pomagając zatrzymać ich wzrost. (Rys. 4)

Energia impulsu światła skierowana jest na ciemną kolorystykę; najlepsze wyniki osiąga się przy włosach ciemniejszych. i-LIGHT jest przeznaczony do stosowania na skórze o karnacjach jasnej, średniej i ciemnej (karnacje skóry I-V).

Czego można oczekiwać od i-LIGHT?

Wyniki nie są natychmiastowe i u różnych osób nie są jednakowe. W większości przypadków można zauważyć redukcję włosów po 1-2 tygodniach od rozpoczęcia stosowania zabiegów. W tym czasie może się wydawać, że włosy wciąż rosną, ale faktycznie są one "wypychane" (Rys. 5).

Włosy rosną w trzech różnych fazach, które trwają 18-24 miesięcy (Rys. 6). Tylko włosy w fazie anagenowej aktywnego wzrostu są podatne na zabieg - dlatego też niezbędne jest powtarzanie zabiegów.

Ważne jest realizowanie pełnego planu zabiegów, aby wszystkie aktywne włosy zostały poddane działaniu urządzenia.

Plan zabiegów

Pełny plan zabiegów to jeden zabieg co dwa tygodnie, cykl powtórzony trzykrotnie. Indywidualne wyniki mogą być różne, dlatego niezbędne jest powtarzanie zabiegów. Może wystąpić pewien porost włosów, ale będą one rzadsze, cieńsze i o jaśniejszym kolorze niż włosy oryginalne. Taki odrost jest normalny i należy go oczekiwać. Po zrealizowaniu pełnego planu zabiegów, zabiegi uzupełniające raz na cztery tygodnie pozwalają osiągnąć jeszcze lepsze wyniki. Systematycznie powtarzane zabiegi raz na dwa tygodnie dadzą znakomite rezultaty w ciągu 8-12 tygodni (przy ciemniejszej cerze na efekty można czekać dłużej). Nie należy używać urządzenia częściej niż raz na dwa tygodnie. UWAGA: Należy unikać wielokrotnego naświetlania tych samych miejsc podczas jednego zabiegu, gdyż nie zwiększa to efektywności, a może spowodować podrażnienie skóry.

ZAPOZNAJ SIĘ Z URZĄDZENIEM i-LIGHT

Okno emisji impulsu z wbudowanym filtrem UV chroniącym skórę (Rys. 7)

OSTRZEŻENIE: przed każdym użyciem sprawdź okno emisji impulsu, czy obiektów nie ma żadnych uszkodzeń.

OSTRZEŻENIE: przed każdym użyciem okno emisji impulsu należy oczyścić niestrzępiącą się ściereczką, żeby obiektów nie był zatłuszczony ani zabrudzony.

Czujnik kontaktu ze skórą (Rys. 8)

Mechanizm zabezpiecza przed przypadkowym naświetleniem. Urządzenie nie wyemituje impulsu dopóki oba czujniki kontaktu ze skórą nie przylegają dobrze do powierzchni skóry.

Tryb Normalny, Tryb Delikatny i Tryb Ekspresowy (Rys. 9)

Przyciski wyboru Trybu Normalnego, Trybu Delikatnego i Trybu Ekspresowego znajdują się na rękojeści

Czujnik karnacji skóry (Rys. 10)

Działa prawidłowo tylko dla odpowiednich karnacji skóry.

Nasadki:

Nasadka do ciała dla dużych powierzchni poniżej szyi (Rys. 11).

Nasadka precyzyjna dla mniejszych powierzchni na kobiecej twarzy, jak policzek, bak, podbródek, szyja i nad wargami (Rys. 12).

Przyciski zwalniania nasadki (Rys. 13).

Chwyć nasadkę do zabiegów we wskazanym miejscu i mocno pociągnij, aby ją zdjąć. Przy wymianie nasadki do zabiegów, magnesy ułatwią jej odpowiednie ustawienie.

PRZYGOTOWANIE DO PRACY**PRZYGOTUJ SKÓRĘ DO ZABIEGU**

- Upewnij się, że powierzchnia skóry, która ma być poddana zabiegowi jest czysta, bez oliwki, dezodorantu, perfum, makijażu, mlecza i kremów. Zgol lub przytnij włosy z miejsca, gdzie chcesz dokonać zabiegu i upewnij się, że skóra jest czysta i sucha.
- W zastosowaniu na twarzy możesz najpierw przyciąć włosy. Jeśli przycinasz, włosy należy ściąć na mniej niż 0,5 mm.
- Nie używaj wosku, depilacji, pęsety lub innych zabiegów, które usuwają włosy razem z cebulkami. IPL nie jest skuteczne w sytuacji kiedy włosy zostały usunięte.

PRZYGOTUJ i-LIGHT DO STOSOWANIA

- Podłącz przewód zasilający do gniazdka ściennego.

SPRAWDŹ SWOJĄ KARNACJĘ SKÓRY

- Aby ustalić, czy urządzenie można zastosować dla karnacji Twojej skóry, porównaj swoją skórę w miejscach, które miałyby zostać poddane zabiegowi z Wykresem Klasyfikacji Fototypów Skóry, znajdującym się na początku tej instrukcji (Rys. 1).
- Jeśli Twoja skóra odpowiada fototypowi (I-V) skóry jasnej, średniej lub ciemnej, pokazanemu na wykresie, możesz użyć urządzenia i-LIGHT.
- Jeśli skóra na powierzchni, która miałyby zostać poddana zabiegowi, odpowiada najciemniejszej skórze na Wykresie Klasyfikacji Fototypów Skóry (fototyp skóry VI), NIE UŻYWAJ tego urządzenia.
- To urządzenie i-LIGHT w głowicy do zabiegów ma wbudowany CZUJNIK KARNACJI SKÓRY, którego zadaniem jest zapobiegać przypadkowemu naświetleniu skóry, jeśli jest zbyt ciemna do zabiegu.
- Jeśli skóra nadaje się do zabiegów, i-LIGHT rozbliśnie i diody LED na boku rękojeści będą się świecić na biało. Ilość świejących się diod wskazuje karnację skóry.
- Jeśli skóra jest zbyt ciemna do zabiegu, urządzenie wyemituje nisko energetyczny rozbłysk i następnie cztery sygnały dźwiękowe, a na boku rękojeści zaświeci się czerwona dioda LED.
- Jeśli sądzisz, na podstawie Wykresu Fototypów Skóry (Rys.1), że Twoja skóra jest odpowiednia do zabiegu, lecz urządzenie rozbliśnie i emituje cztery sygnały dźwiękowe, spróbuj działania urządzenia na innym fragmencie skóry.

PRZETESTUJ URZĄDZENIE i-LIGHT NA SKÓRZE

Przetestuj działanie urządzenia i-LIGHT na małym fragmencie swojej skóry i odczekaj 24 godzin, aby upewnić się, że nie wystąpiły żadne niepożądane reakcje.

1. Przyłóż rękojeść i-LIGHT do skóry w taki sposób, aby okno emisji impulsu przylegało do jej powierzchni.
2. Upewnij się, że czujniki kontaktu ze skórą dobrze przylegają i diody LED świecą na biało.
3. Wybierz preferowany tryb i naciśnij przycisk, aby wyemitować impuls.
WSKAZÓWKA: Dyskomfort, od łagodnego do umiarkowanego, jest rzeczą normalną, możesz rozpocząć od Trybu Delikatnego i przełączyć do Trybu Normalnego jeśli czujesz się z tym dobrze.
4. Odczekaj 24 godziny, a następnie obejrzyj powierzchnię poddaną zabiegowi. Jeśli skóra wydaje się normalna, wykonaj pierwszy pełny zabieg przy określonym przez siebie poziomie intensywności.
UWAGA: Na każdym fragmencie twarzy lub ciała, który chcesz depilować, trzeba wykonać oddzielny test.

WYBÓR TRYBU PRACY

- Zintegrowany CZUJNIK KARNACJI SKÓRY na głowicy do zabiegów ustawia poziom mocy odpowiedni dla każdego ustawienia w oparciu o zarejestrowaną karnację skóry.

POLSKI

- Urządzenie i-LIGHT ma 3 tryby pracy, Tryb Normalny (pełna moc), Tryb Delikatny i Tryb Ekspresowy. Po włączeniu (WŁ), urządzenie znajduje się w Trybie Normalnym. Urządzenie emituje impuls co około 3 sekundy w Trybie Normalnym i Trybie Delikatnym oraz krócej niż 1 sekundę w Trybie Ekspresowym.

Tryb Normalny ✨

Tryb Normalny (pełna moc) zapewnia odpowiedni dla Ciebie najwyższy poziom mocy. Ten tryb doskonale nadaje się do zabiegów na większych i mniejszych obszarach skóry i daje najlepsze wyniki. Tryb Normalny daje najlepsze wyniki w usuwaniu włosów przy mniejszej liczbie zabiegów, ale może być mniej komfortowy w odczuwaniu.

Tryb Delikatny 🍃

Tryb Delikatny jest dla osób, dla których Tryb Normalny jest zbyt intensywny. Tryb Wrażliwy ma mniejszą moc, może być używany przez osoby wrażliwsze na dyskomfort, które jednak chcą usunąć niechciane owłosienie. W tym trybie do osiągnięcia pożądanego rezultatu, może być potrzebnych więcej zabiegów.

Tryb Ekspresowy ⚡

Tryb Ekspresowy oferuje użytkownikowi opcję oszczędzania czasu przy zabiegach. W tym trybie można poddać zabiegowi większe obszary w szybszym tempie, ale impulsy mogą być mniej skuteczne i do osiągnięcia pożądanego rezultatu może być potrzebnych więcej zabiegów.

UWAGA: Zawsze po włączeniu, urządzenie zostaje automatycznie ustawione na Tryb Normalny (pełna moc).

- Jeśli chcesz zmienić tryb, naciśnij odpowiedni przycisk.
- Gdy już zdecydowałaś i wybrałaś tryb odpowiedni dla Ciebie, przyłóż okno emisji impulsu do skóry.
- Urządzenie jest teraz gotowe do wyemitowania pierwszego impulsu. Aby wyłączyć Tryb Delikatny lub Tryb Ekspresowy, wystarczy ponownie nacisnąć wybrany przycisk i urządzenie powróci do Trybu Normalny. Będzie się świecić tylko Przycisk Uwalniania Impulsu.

ZABIEG

ZMIANA NASADEK

- i-LIGHT ma dwie różne Nasadki do zabiegów:
- Nasadka do ciała ma zastosowanie na większych obszarach, takich jak owłosienie na ciele.
- Nasadka precyzyjna jest przeznaczona do zabiegów do mniejszych obszarów, jak kobieca twarz, włosy pod pachami i okolicach bikini.

Aby zmienić nasadki:

OSTRZEŻENIE! Przed zdjęciem nasadki do zabiegów zawsze upewnij się, że urządzenie jest wyłączone (WYŁ) i przewód zasilania jest odłączony.

- Przed przystąpieniem do zamiany nasadki pozostaw urządzenie na 5 minut, aż ostygnie.
- 1. Wyłącz wyłącznik sieciowy OFF i odłącz przewód zasilający od gniazdka elektrycznego.
- 2. Trzymaj urządzenie w jednej ręce, jednocześnie delikatnie nakładając nasadkę do zabiegów (Rys.13).
UWAGA: Nasadki do zabiegów trzymają się urządzenia na zasadzie magnesu i powinny łatwo dać się zdjąć.
WSKAZÓWKA: Nieużywaną nasadkę do zabiegów przechowuj w bezpiecznym miejscu (np. w opakowaniu), uważając, aby nie uszkodzić okna emisji impulsu i innych komponentów.
- 3. Delikatnie wciśnij drugą nasadkę do zabiegów w rękojeść, aż wskoczy na swoje miejsce.

Jak wykonywać zabieg:

1. Przyłóż okno emisji impulsu do skóry - upewnij się, że czujniki kontaktu mają kontakt ze skórą.
 2. Jeśli czujniki kontaktu ze skórą dobrze przylegają, przycisk uwalniania impulsu będzie pulsować na biało i diody LED na rękojeści zaświecą się wskazując, że urządzenie jest gotowe do emisji impulsu.
UWAGA: Jeśli czujniki kontaktu ze skórą nie przylegają do powierzchni skóry, urządzenie nie zadziała. Po naciśnięciu przycisku uwalniania impulsu, usłyszysz charakterystyczne "buczenie". Dobrze sprawdź, czy czujniki kontaktu ze skórą dobrze przylegają do powierzchni skóry.
 3. Naciśnij przycisk impulsu, aby wyemitować impuls. Oczekuj jasnego błysku światła (podobnie jak z lampy błyskowej) i łagodnego odczucia ciepła.
 4. Przechodź do kolejnego miejsca według wzoru siatki w celu zapewnienia pełnego pokrycia fragmentu skóry, który ma zostać poddany zabiegowi.
- W trybie impulsu pojedynczego, za każdym razem, gdy przechodzisz w inne miejsce, naciskaj przycisk impulsu.

- W trybie impulsu wielokrotnego, nie zwalnij palca z przycisku impulsu i przechodź do kolejnego miejsca zwracając uwagę, aby czujniki kontaktu ze skórą miały pełny kontakt ze skórą. Kolejny impuls zostanie wyemitowany po 3 sekundach (w trybie pełnej mocy).
- Jeżeli podczas pracy w trybie impulsu wielokrotnego zwolnisz przycisk impulsu lub stracisz kontakt ze skórą, po prostu wznów zabieg powtarzając powyższe czynności.

Zabiegi na twarzy (tylko kobiety)

Zarost na twarzy może się bardzo różnić od owłosienia ciała, a skóra na twarzy jest wrażliwsza i częściej narażona na działanie słonecznych promieni. Z tego względu zabiegi na pozbycie się niechcianego zarostu są inne niż na ciele - prosimy koniecznie przez rozpoczęciem zabiegów na twarzy dokładnie zapoznać się treścią ostrzeżeń i środkami ostrożności.

WAŻNA UWAGA: Nasadka precyzyjna jest przeznaczona do usuwania specyficznego owłosienia z kobiecej twarzy. Do zabiegów na twarzy NIE WOLNO STOSOWAĆ głowicy do ciała. Więcej informacji w punkcie "Zmiana nasadek". Nasadka precyzyjna jest przeznaczona do usuwania owłosienia na kobiecych policzkach, бакach, podbródku, szyi i nad wargami. (Rys. 2).

NIE UŻYWAĆ na męskich brodach, zaroście na twarzy, ponieważ rezultaty mogą być nieodwracalne i nieprzewidywalne, oraz spowodować niepożądane zmiany fizjonomii.

PORADY DOTYCZĄCE ZABIEGU

Zabiegi na ciele

- Dla uzyskania najlepszych rezultatów, należy unikać nakładania się impulsów świetlnych. Wówczas miejsce poddawane zabiegowi nie otrzymuje impulsów intensywniejszych niż konieczne w celu powstrzymania wzrostu włosów. Takie postępowanie sprzyja maksymalnemu wykorzystaniu żarówki.
- Dla najlepszej skuteczności, zawsze wykorzystuj taki możliwie wysoki poziom intensywności, przy którym skóra nie odczuwa dyskomfortu. Można czuć ciepło na skórze, ale nie powinno się
- odczuwać dyskomfortu.
- W trakcie zabiegów można zauważyć, że kościste obszary, takie jak łokcie, podudzia i kostki, są bardziej wrażliwe. Jest to normalne i nie powinno być powodem do niepokoju. Aby uniknąć nadwrażliwości, spróbuj w trakcie zabiegu odciągać skórę od powierzchni kostnej.

Zabiegi na twarzy

- Wypróbuj na małym fragmencie skóry - skóra twarzy zwykle jest wrażliwsza, przed zabiegiem wypróbuj działanie na małym fragmencie skóry. Patrz rozdział "Przetestuj i-LIGHT na swojej skórze", aby uzyskać szczegółowe informacje.
- W trakcie zabiegu pomagaj sobie lusterkiem - będziesz lepiej widziała skórę, która ma być poddana zabiegowi, unikniesz naświetlania ust i innych ciemnych punktów. Jeżeli odbite światło jest nieprzyjemne, możesz zamknąć oczy przed każdym rozbłyskiem lampy.
- Dla lepszego kontaktu ze skórą, naciągaj skórę - kontur skóry w niektórych miejscach może utrudniać dobre przyleganie czujników do skóry. Może się okazać, że dla lepszego kontaktu ze skórą, dobrze będzie zawinąć górną wargę na zęby lub wypchnąć policzki językiem.

PIELĘGNACJA PO ZABIEGU

Po zabiegu można zauważyć pewne zaczerwienienie lub odczuć niewielkie podgrzanie skóry. Jest to normalne i szybko mija. Dla uniknięcia podrażnienia skóry po zabiegu należy przestrzegać następujących zaleceń:

- Unikaj wystawiania skóry na działanie słońca przez 24 godziny po zabiegu. Przez 2 tygodnie po każdym zabiegu chroń skórę stosując SPF 30.
- Przez co najmniej 2 tygodnie po ostatnim zabiegu, nie opalaj się zbyt długo na słońcu, nie korzystaj z solarium, ani nie stosuj samoopalaczy.
- Po zabiegu, staraj się, żeby skóra była czysta i sucha w celu nawodnienia skóry.
- Dopóki nie ustąpią zaczerwienienia i wrażliwość skóry nie wróci do normy, nie zażywaj gorącej kąpieli, nie używaj łaźni ani sauny.

POLSKI

- W trakcie stosowania zabiegów, nie używaj depilacji (woskowanie, wrywanie, nitkowanie lub kremy) - golenie jest dopuszczalne, ale dopiero po upływie 24 godzin po każdym zabiegu.
- Przez 24 godziny po zabiegu, nie stosuj kremów wybielających ani produktów perfumowanych.

LAMPA IMPULSOWA 300 000

- Lampa generuje 300 000 impulsów w okresie eksploatacji.
- Żarówka w tym urządzeniu jest gwarantowana na cały okres gwarancji produktu, jak podano w karcie gwarancyjnej urządzenia.
- Gdy żarówka osiągnie 99% okresu eksploatacji, jedna z diod LED na rękojeści podczas zasilania zaświeci się na czerwono.
- Wyeksploatowana żarówka uniemożliwia dalsze korzystanie z urządzenia.

CZYSZCZENIE URZĄDZENIA i-LIGHT

⚠ **OSTROŻNIE: Przed czyszczeniem urządzenia i-LIGHT, upewnij się, że wyłącznik sieciowy jest wyłączony (OFF), a przewód zasilający jest odłączony od urządzenia.**

Regularne czyszczenie ma wpływ na optymalne rezultaty i długi czas pracy urządzenia.

- Do czyszczenia okna emisji impulsu używaj wyłącznie niestrzępiącej się ściereczki dołączonej do urządzenia i-LIGHT. Uważaj, aby nie zarysować lub podrapać okna emisji impulsu. Rysy i podrapania mogą zmniejszyć skuteczność urządzenia.
- W przypadku uporczywych plam, zwilż wacik spirytusem chirurgicznym lub alkoholem do nacierania, potrzyj okno i delikatnie wytrzyj niepyłącą ściereczką.
 - ⚠ **OSTRZEŻENIE:** Jeśli okno emisji impulsu jest pęknięte lub uszkodzone, nie wolno korzystać z urządzenia. Nie może być żadnych rys na szkle filtrującym ani na metalowej powierzchni wewnątrz głowicy zabiegowej.
 - ⚠ **OSTRZEŻENIE:** Wewnątrz urządzenia i-LIGHT jest wysokie napięcie. Nie wolno go zanurzać w wodzie. Nie wolno czyścić urządzenia ani jego części pod bieżącą wodą lub myć w zmywarce.

Przechowywanie

Przed odłożeniem do przechowania, wyłącz urządzenie, odłącz z sieci i pozwól mu przez 10 minut ostygnąć.

USUWANIE USTEREK

- Przed rozpoczęciem użytkowania przeczytaj całą instrukcję obsługi urządzenia i-LIGHT.
- Jeśli wystąpią problemy z urządzeniem i-LIGHT, odnieś się do tego przewodnika rozwiązywania problemów. W niniejszym rozdziale są omówione najczęstsze problemy, z którymi można się zetknąć w trakcie użytkowania i-LIGHT. Jeśli postępujesz zgodnie z instrukcją zawartą w tym rozdziale i nadal występują problemy, prosimy o kontakt z Centrum Obsługi Remington® w celu udzielenia dalszej pomocy.

Wyłącznik sieciowy jest włączony (ON), ale urządzenie nie działa.

- Upewnij się, że urządzenie jest podłączone do sprawnego gniazdka elektrycznego.
- Spróbuj podłączyć urządzenie do innego gniazdka.

Na urządzeniu widać pęknięcia lub jest zepsute.

- Nie używaj, jeśli urządzenie jest uszkodzone. Jeśli masz wątpliwości dotyczące użytkowania, nie używaj go i skontaktuj się z Centrum Obsługi Remington® w celu udzielenia dalszej pomocy.

Urządzenie jest włączone (WŁ), ale nie mogę zmienić trybu pracy.

- Spróbuj zresetować urządzenie wyłączając je i odczekując kilka sekund przed jego ponownym włączeniem.

Czuję dziwny zapach.

- Sprawdź, czy cała powierzchnia skóry została przed zabiegiem ogolona.

Miejsca poddane zabiegowi są zaczerwienione.

- Jest to normalne i zaczerwienienie powinno ustąpić. Jeśli nie, spróbuj przełączyć urządzenie na Tryb Delikatny
UWAGA: Gdy urządzenie i-LIGHT rozgrzeje się nadmiernie, przejdzie ono w tryb oczekiwania. W trybie oczekiwania 5 diod LED na rękojeści świeci się sekwencyjnie jedna po drugiej. Poczekać kilka minut, aż rękojeść ostygnie. Nie trzeba wyłączać urządzenia, diody LED przestaną świecić, kiedy urządzenie będzie gotowe do ponownego użycia.

NAJCZĘŚCIEJ ZADAWANE PYTANIA

- Pełna lista często zadawanych pytań znajduje się na stronie internetowej (www.remington-ilight.com)
- P. Na jakich fragmentach skóry można stosować urządzenie i-LIGHT?
- O. Urządzenie i-LIGHT można stosować u obu płci na wszystkich powierzchniach poniżej szyi, łącznie z nogami, pachami, pachwinami, ramionami, klatką piersiową i plecami. Kobiety mogą ponadto wykorzystywać urządzenie do usuwania owłosienia twarzy poniżej kości policzkowych.
- P. Jakie ryzyko związane jest z użytkowaniem i-LIGHT? Czy urządzenie jest bezpieczne?
- O. i-LIGHT okazał się już bezpieczny i skuteczny w użytkowaniu. Podobnie jak w przypadku każdego urządzenia elektronicznego należy stosować się do instrukcji obsługi.
- P. Czy urządzenie i-LIGHT jest bezpieczne dla skóry po dłuższym stosowaniu?
- O. Nie zauważono żadnych efektów ubocznych ani uszkodzenia skóry po długotrwałym działaniu intensywnego impulsu świetlnego (IPL).
- P. Dlaczego moje włosy rosną mimo wykonywania zabiegów?
- O. Wyniki nie są natychmiastowe i u różnych osób nie są jednakowe. W większości przypadków można zauważyć redukcję włosów po 1-2 tygodniach od rozpoczęcia stosowania zabiegów. W tym czasie może się wydawać, że włosy wciąż rosną, ale faktycznie są one "wypychane".
Włosy rosną w trzech różnych fazach, które trwają 18-24 miesięcy. Tylko włosy w fazie anagenowej aktywnego wzrostu są podatne na zabieg - dlatego też niezbędne jest powtarzanie zabiegów.
Inną przyczyną kontynuacji wzrostu włosów może być ominięcie niektórych miejsc w trakcie zabiegu. Gdy zauważa się odrost włosów, zabieg należy powtórzyć.
- P. Dlaczego nie można używać urządzenia i-LIGHT bezpośrednio po opalaniu?
- O. Opalanie powoduje wzrost koncentracji melaniny i zwiększa ryzyko poparzeń oraz powstania pęcherzy po wykonaniu zabiegu.
- P. Czy podczas zabiegu należy chronić oczy?
- O. Nie ma zagrożenia dla oczu. i-LIGHT wyposażone jest w układ zabezpieczający, który uniemożliwia przypadkowe włączenie impulsu, gdy urządzenie nie jest w bezpośrednim kontakcie ze skórą. Niewielka ilość światła wydobywająca się z urządzenia nie jest szkodliwa dla oczu podobnie jak błysk flesza aparatu fotograficznego. Specjalnie skonstruowane nasadki do zabiegów minimalizują ilość światła wydostającego się poza nasadkę. Jeżeli odbite światło jest nieprzyjemne, możesz zamknąć oczy przed każdym rozbłyskiem lampy.

PL

RECYKLING

Aby uniknąć problemów środowiskowych i zdrowotnych spowodowanych niebezpiecznymi substancjami, sprzętu, akumulatorów i baterii oznaczonych jednym z tych symboli nie należy wyrzucać z nieposortowanymi odpadami komunalnymi. Produkty elektryczne i elektroniczne, w tym, baterie jednorazowe i akumulatory, należy zawsze utylizować w odpowiednim publicznym punkcie zbiórki odpadów/recyklingu.

MAGYAR

Köszönjük, hogy ezt az új Remington® terméket választotta. Kérjük, olvassa el és őrizze meg a jelen utasítást. Használat előtt távolítsa el a csomagolóanyagokat.

FONTOS BIZTONSÁGI ELŐÍRÁSOK

- Ezt a készüléket 18 éven aluli személyek, valamint csökkent fizikai, szenzoros vagy mentális képességű vagy elegendő tapasztalattal és ismeretekkel nem rendelkező személyek csak akkor használhatják, ha felnőtt személy felügyeli/ utasításokkal látja el őket, illetve megértették a lehetséges veszélyeket. Ne hagyja, hogy gyerekek játszanak a készülékkel. A készülék tisztítását és felhasználói karbantartását 18 éven aluli személyek nem végezhetik el.
- 8 éven aluli gyerekektől tartsa távol a készüléket és a kábelét.
- Ne használja a készüléket, ha tápkábele sérült. A cserét a Nemzetközi szervizközpontjainkon keresztül tudja elvégezni.
- ⊘ A készülék teste nem mosható és nem vízálló. Ne helyezze a készüléket folyadékba, ne használja vízzel töltött fürdőkád, medence vagy egyéb tároló mellett, illetve ne használja kültéren.
- A termék veszélyes optikai sugárzást bocsáthat ki. Ne nézzen bele a fényforrásba, ez szemkárosodást okozhat.
- A készüléket csak a kézikönyvben leírtak szerint, rendeltetésszerűen használja.
- Ne használja a készüléket, ha az sérült, vagy nem megfelelően működik.
- Soha ne hagyja felügyelet nélkül a készüléket, ha az csatlakoztatva van a hálózati áramkörre.
- Tartsa távol a tápkábelt és a csatlakozó dugót a fűtött felületektől.
- Ne használjon a mellékelt tartozékoktól eltérő kiegészítőket.
- Ne csavarja vagy tekerje fel a kábelt, illetve ne tekerje a készülék köré.
- Ne húzza ki és ne dugja be a készüléket nedves kézzel.
- A készülék nem fodrászati vagy egyéb professzionális használatra készült.

Mielőtt elkezdene használni az i-LIGHT-t:

Olvasson el minden Figyelmeztetést és Biztonsági Információt. Mielőtt hozzákezdene, ellenőrizze, hogy az i-LIGHT megfelelő-e az Ön számára.

Használja a kezelési útmutató elején található bőr- és szőrszínskálát, valamint készülékbe épített bőrszenzort, hogy megtudja, megfelelő-e ez a készülék az Ön számára (1. ábra).

FIGYELMEZTETÉS: az i-LIGHT készülék nem alkalmas nagyon sötét vagy fekete bőrön való használatra. Az i-LIGHT nem hatékony világos vagy ősz szőrszín esetén, és csak kevésbé hatékony szőke vagy vörös szőrszín esetén.

Arcon történő használat: Csak női arcon, az orcákon, a barkó részen, az állon, a nyakon és az ajkak fölötti területen használható (2. ábra).

NE HASZNÁLJA a szemeken vagy a szemek körül, a szemöldökön vagy szempillákon. Ezzel súlyos és maradandó szemsérülést okozhat.

Bőrtípus

- Ne használja természetesen sötét tónusú bőr esetén, mert égési sérülést, hólyagokat és színváltozást okozhat.
- Ne használja leburnult bőrön vagy ha nemrég napozott, mert égési sérülést vagy a bőr egyéb sérülését okozhatja.
- Az i-LIGHT nem hatékony a természetes fehér, ősz, szőke és vörös test- illetve arcszőrzeten.

Nem kezelhető területek:

- Ne használja a fejbőr és fülek területén.
- Ne használja férfi arcbőrön és nyakon
- Ne használja az arccsont felett (női).
- Ne használja a mellbimbók, a bimbóudvar és a nemi szervek területén.
- Ne használja, ha a kezelendő területen tetoválás vagy sminktetoválás található.
- Ne használja sötétbarna vagy fekete foltokon, pl. anyajegyeken, májfoltokon vagy sötét szeplőkön.
- Ne használja, ha a kezelendő felületen friss műtéti heg, égési sérülés vagy leforrzás nyoma található, illetve ha azon nemrég mélyhámlasztást vagy lézeres bőrmegújítást végezett.

Mikor ne/ Mikor használja az i-LIGHT-t?

- NE HASZNÁLJA leburnult bőrön, mivel a bőre esetleg túl sötét és a leburnult bőrön történő alkalmazás átmeneti bőrduzzanatot, hólyagokat okozhat, vagy megváltoztathatja a bőre színét. Várjon, amíg a bőre kiháványodik, mielőtt használná.
- NE HASZNÁLJA kozmetikai készítményekkel kezelt bőrön, mivel az átmeneti bőrduzzanatot, hólyagokat okozhat, vagy megváltoztathatja a bőre színét. Győződjön meg róla, hogy alaposan megtisztította-e a kezelni kívánt területet használat előtt.
- NE alkalmazza a villanófényt többször egymás után ugyanazon a területen egy kezelés során, mivel az átmeneti bőrduzzanatot, hólyagokat okozhat, vagy megváltoztathatja a bőre színét.
- Egyetlen területet se kezeljen TÖBBSZÖR egy héten, mivel ez nem fokozza az eredményt, de növeli a bőrduzzanatot, hólyag vagy bőrszín elváltozásának esélyét.
- NE HASZNÁLJA sérült bőrfelületen, így nyílt seben, herpeszen, leégésen vagy olyan felületen, ahol bőrradírozást végzett vagy az előző 6-8 hétben bőrregeneráló kezelése volt.
- NE HASZNÁLJA irritált bőrfelületen, így kiütéses vagy duzzadt bőrön. Ezek sokkal érzékenyebbé tehetik a bőrt. Várja meg a teljes gyógyulást, mielőtt használná a készüléket.
- NE HASZNÁLJA, ha a bőre érzékeny a fényre. Annak megállapításához, hogy használhatja-e az i-LIGHT-t, csináljon egy tesztet a bőre egy kis felületén és várjon 24 órát, hogy meg tudja állapítani, vannak-e kedvezőtlen reakciók, mielőtt nagyobb felületen is alkalmazná.
- NE HASZNÁLJA, ha esetleg terhes vagy szoptat. Az i-LIGHT-t nem tesztelték terhes nőknél. A hormonális változások együtt járnak a terhességgel és a szoptatással és növelhetik a bőrérzékenységet és a bőrsérülés kockázatát.
- CSAK bőrön alkalmazza a villanófényt.
- NE HASZNÁLJA az i-LIGHT-ot a szőrtelenítésen kívül másra!
- NE HASZNÁLJA olyan felületen, ahol azt szeretné, ha valamikor még szőr nőne. Az eredmény esetleg végleges és visszafordíthatatlan.
- Ne használja arcbőrén, ha korábban az adott területen herpesze volt; az IPL vagy hasonló készülékek használata a bőr irritációját okozhatja, így a herpesz visszatérését idézheti elő.
- Ha professzionális, klinikai, önállóan végzett, IPL vagy elektrolízises szőrtávolító kezelése voltak, várjon legalább 6 hetet az i-LIGHT használata előtt. Ha legyantázott, levágott vagy epilált a kezelendő bőrfelület, várjon legalább 6 hetet az i-LIGHT használata előtt. A készülék a bőre alatti szőrzetre hat, hogy a tövével gyengítse el, így a kezelés nem hatásos, ha a szőr ki lett húzva.
- Ne használja mesterséges dolgok felett vagy közelében, beleértve a szilikon implantátumokat, Implanon fogamzásgátló implantátumot, szubkután injekciós portot (inzulinadagoló) vagy piercinget.
- Bár semmiféle problémát nem jegyeztek fel a készülék használatával kapcsolatban, mégis javasolt az aktív beültetett orvosi eszközök figyelmeztetéseire figyelemmel lenni, hogy elkerüljük egy aktív beültetett eszköz meghibásodását vagy zavarát.
- A vezeték nélküli kommunikációs berendezések hatással lehetnek az i-LIGHT készülékre, ezért legalább 3,3 m távolságban kell tartani ezektől.
- Ne használja fém eszközök, fog implantátumok és fogszabályzó felett.

**FŐ JELLEMZŐK (3 ÁBRA)**

- | | |
|------------------------------------------|-----------------------------------------|
| 1. Főkapcsoló | 10. Kezelőfej vezetéke |
| 2. Hálózati bemenet | 11. Villanásjelző ablak |
| 3. Tápegység | 12. Bőrközelség érzékelők |
| 4. Kezelőfej | 13. Testkezelő Toldal |
| 5. ✦ Nagyteljesítményű Mód villanás gomb | 14. Arckezelő Toldal |
| 6. ✂ Érzékeny Mód villanás gomb | 15. Tápkábel |
| 7. ⚡ Expressz Mód villanás gomb | 16. Szőszmentes kendő |
| 8. LED-jelzőfények | 17. Tároló Táska (az ábrán nem látható) |
| 9. Bőrárnyalat Érzékelő | |

MAGYAR

A HASZNÁLAT MEGKEZDÉSE ELŐTT

Hajtsa ki a használati útmutató első és utolsó oldalát, így olvasás közben hivatkozhat az ábrákra.

Az i-LIGHT első használatakor legyen türelemmel, hiszen mint minden más terméknel, itt is kis időbe telhet, mire megszokja. Szánjon időt arra, hogy megismerkedjen i-LIGHT készülékével, mert biztosak vagyunk benne, hogy utána éveken keresztül élvezettel és tökéletes megelégedéssel használja majd.

IRMERKEDÉS AZ i-LIGHT

Mi az i-LIGHT?

Az i-LIGHT rendszer egy forradalmi, fényalapú eszköz, melyet a nem kívánt testszőrzet és a női arcon lévő szőrszálak otthoni eltávolítására terveztek.

Az i-LIGHT klinikailag tesztelt technológiát használ, amelyet hivatásos bőrgyógyászok és szalonok alkalmaznak személyre szabott kezelésekre optimalizáltnak.

Mi az Intenzív Villanófény (IPL) és hogy működik az i-LIGHT ?

Az IPL – (Intenzív Villanófény) egy jól megalapozott technológia, amit több mint 15 éve használnak világszerte. Az i-LIGHT ezt a technológiát alkalmazza a fény bőrön történő intenzív felvillanásával.

Az impulzus a bőr felszíne alatt hat, így a szőrt a gyökerénél célozza meg, ezzel akadályozva annak növekedését. (4. ábra) A villanófényben lévő energia a sötétebb színre jobban hat, és a legjobb eredményeket a sötétebb szőrzeten lehet tapasztalni.

Az i-LIGHT készüléket világos, közepes és sötét árnyalatú bőrön (I-V. bőrárnyalatok) való használatra tervezték.

Mit várhat az i-LIGHT-től

Az eredmények nem jelentkeznek azonnal, és egyénenként eltérőek lehetnek. A legtöbb felhasználó azt tapasztalja, hogy a kezelés megkezdése után 1-2 héten belül a szőrszálak mennyisége csökkenni kezd. Ez idő alatt úgy tűnhet, mintha a szőr még nőne, azonban az éppen „kilökődik” (5. ábra).

A szőrszálak három különböző szakaszból álló, 18-24 hónapig tartó ciklusokban nőnek (6. ábra). A kezelésre csak az aktív növekedési szakaszban lévő szőrszálak fogékonyak, ez az oka annak, hogy az optimális eredmény érdekében a kezelést többször is meg kell ismételni.

Fontos, hogy a teljes kezelési eljárást végigvigyük, és kiegészítő kezeléseket is végezzünk, hogy biztosak lehessünk benne: egyetlen aktív szőrszál sem maradt ki.

A kezelési eljárás

Egy teljes kezeléssorozat három kezelésből áll, amelyeket kéthetente egyszer kell elvégezni. Az eredmények egyénenként eltérőek lehetnek, így lehetséges, hogy az optimális eredmény érdekében a kezelést többször is meg kell ismételni. Valamennyi szőrnövekedés tapasztalható, de ez a szőr ritkább, vékonyabb és világosabb, mint az eredeti szőrszálak. Ez az újránövekedés teljesen természetes, és várható folyamat. A teljes alapkezelés elvégzése után a négyhetente elvégzendő kiegészítő kezeléseik révén egyre jobb eredményeket érhetünk el. A folyamatos, négyhetente elvégzett rendszeres kezelés 8-12 héten belül jó eredményekkel jár (sötétebb bőrárnyalat esetén ez hosszabb idő lehet). Ne használja gyakrabban, mint kéthetente egy kezelés. FIGYELEM: Egy kezelés során ugyanazon a területen ne ismétlje meg a kezelést egymás után többször, mert ez a hatékonyságot nem javítja, viszont növeli a bőrirritáció kockázatát.

ISMERKEDÉS AZ i-LIGHT KÉSZÜLÉKKEL

Villanóablak beépített UV-szűrővel (7. ábra)

FIGYELEM: használat előtt mindig ellenőrizze a villanásjelző ablakot, hogy a lencsék nem sérültek-e meg.

FIGYELEM: használat előtt mindig tisztítsa meg a villanásjelző ablakot a mellékelt szőszmentes kendővel, hogy ne legyen olaj vagy piszok a lencséken.

Bőrközelség érzékelő (8. ábra)

Ez a biztonsági mechanizmus megakadályozza a véletlenszerű villanásokat. A készülék nem villan, csak ha a bőrfelület-érezkelőket teljesen a bőrünkhöz nyomjuk.

Nagyteljesítményű Mód, Érzékeny Mód és Expressz Mód (9. ábra)

A Nagyteljesítményű Mód, az Érzékeny Mód és az Expressz Mód gomb is a kezelőfejen található.

Bőrárnyalat-Érzékelő (10. ábra)

Csak megfelelő bőrszínárnyalatok esetén alkalmazható.

Tartozék fejek:

Testkezelő Toldat a nyak alatt nagyobb területekhez (11. ábra).

Precíziós Kezelőtoldat a női arc kisebb területeinek, például az orcák, a barkó rész, az áll, a nyak, valamint az ajkak fölötti területek kezelésére (12. ábra).

Toldatkioldó Gomb (13. ábra)

Fogja meg a kezelőtoldatot a jelzett helyeken, és erősen, egyenesen húzza ki a kezelőtoldat kioldásához. Amikor kezelőtoldatot cserél, mágnesek segítenek a kezelőtoldat helyreigazításában.

A HASZNÁLAT ELŐKÉSZÍTÉSE

A BŐR ELŐKÉSZÍTÉSE

- Bizonyosodjon meg róla, hogy a kezelni kívánt terület tiszta, és mentes minden olajtól, dezodortól, parfümtől, sminktől, testápolótól vagy krémtől. A kezelni kívánt területen borotválja vagy vágja le a szőrt és győződjön meg róla, hogy a bőr tiszta és száraz.
- Ha a készüléket az arcon használja, lehet, hogy előtte le akarja majd nyírni a szőrszálakat. Ha így tesz, nyírja le a szőrszálakat 0,5 mm-nél rövidebbre.
- Ne használjon gyantát, epilálást, csipeszt vagy más olyan módszert, amelynél a szőrszálakat a szőrtüszőből kitépik, mert az IPL-készülék nem működik hatékonyan, ha a szőrszálakat kihúzták.

AZ I-LIGHT ELŐKÉSZÍTÉSE HASZNÁLATRA

- Csatlakoztassa a tápkábelt a fali aljzathoz.

ÁLLAPÍTSA MEG BŐRSZÍNÁRNYALATÁT

- Annak meghatározásához, hogy az Ön bőrszínárnyalatán használható-e a készülék, hasonlítsa össze a kezelni kívánt bőrterület árnyalatát a kézikönyv elején található Bőrszínárnyalat Grafikkal (1. ábra).
- Ha a bőre megfelel a Bőrszínárnyalat Grafikonon jelzett világos, közepes vagy sötét bőrszínárnyalatnak (Skin Tone I-V), használhatja az i-LIGHT készüléket.
- Ha a kezelni kívánt bőrterület a Bőrszínárnyalat Grafikon legsötétebb árnyalatának felel meg, **NE HASZNÁLJA** a készüléket (VI. bőrszínárnyalat - Skin Tone VI).
- Az i-LIGHT készülék beépített BŐRSZÍNÁRNYALAT-ÉRZÉKELŐVEL rendelkezik a kezelőfejen, amely annak megakadályozására szolgál, hogy véletlenül olyan bőrfelületen is végezzen villantást, amely a kezeléshez túl sötét árnyalatú.
- Ha a bőre megfelel a kezeléshez, az i-LIGHT villanófényt alkalmaz, és a kezelőfej oldalán található LED lámpák fehéren világítanak. A világító lámpák száma a Bőrszínárnyalatot jelzi.
- Ha bőre túl sötét a kezeléshez, a készülék kis energiájú fényt villant fel, majd négyszer sípol, és a kezelőfej oldalán pirosan világít egy LED.
- Ha Ön úgy gondolja, a bőre megfelelő a Bőrszínárnyalat Grafikon alapján (1. ábra), de a készülék villantását követően hallja a négy sípolást, próbáljon egy másik bőrterületet kezelni.

AZ I-LIGHT KÉSZÜLÉK TESZTELÉSE A BŐRÖN

Próbálja ki az i-LIGHT készülék használatát egy kis bőrfelületen, majd várjon 24 órát, hogy fellép-e valamilyen mellékhatás a területen.

1. Tartsa az i-LIGHT készüléket a bőréhez, úgy, hogy a villanóablak teljesen felfeküdjön a bőrfelületen.
2. Ügyeljen arra, hogy a Bőrközelség-Érzékelők teljes mértékben érintkezzenek a bőrrel, és a LED lámpák fehéren világítsanak.
3. Válassza ki a kívánt üzemmódot, és nyomja meg a gombot a villanófényt kibocsátásához.
TIPP: Az enyhén vagy közepesen kellemetlen érzés normális, de javasoljuk, hogy a kezelést az Érzékeny Módban kezdje, és csak azután váltson át a Nagyteljesítményű Módra, hogy már nem érzi kellemetlennek azt.
4. Várjon 24 órát és vizsgálja meg a tesztelt területet. Ha a bőr normál állapotúnak tűnik, végezze el az első teljes kezelést azon az energia fokozaton, ami megfelelőnek tűnt.



MAGYAR

MEGJEGYZÉS: A készüléket minden egyes kezelni kívánt felületen tesztelni kell az arctól a testig.

AZ ÜZEMMÓD KIVÁLASZTÁSA

- A kezelőfejen található beépített BŐRÁRNYALAT-ÉRZÉKELŐ minden beállításhoz beállítja a megfelelő energiaszintet az érzékelt bőrárnyalat alapján.
- Ennek az i-LIGHT készüléknek 3 különböző üzemmódja van: Nagyteljesítményű Mód (Teljes Teljesítmény), Érzékeny Mód és Expressz Mód. A készülék BEKAPCSOLÁSKOR a Nagyteljesítményű Módban van. A készülék a villanófényt Nagyteljesítményű Módban és Érzékeny Módban körülbelül 3 másodpercenként, míg az Expressz Módban kevesebb mint 1 másodpercenként villantja fel.

Nagyteljesítményű Mód

A Nagyteljesítményű Mód (Teljes Teljesítmény) az Önnek megfelelő legnagyobb energiaszintet használja. Ez az üzemmód ideális a nagyobb és kisebb területek kezelésére is, és jobb eredményeket hoz. A Nagyteljesítményű Mód kevesebb kezeléssel jobb eredményeket hoz a szőr eltávolításában, de ez a kezelés lehet a legkevésbé kellemes.

Érzékeny Mód

Az Érzékeny Mód azoknak való, akik a Nagyteljesítményű Módot túl intenzívnek találják. Az Érzékeny Mód kevésbé intenzív Mód azoknak, akik érzékenyek a kellemetlen érzésre, de szeretnének megszabadulni a nemkívánatos szőrszálaktól. Ebben az üzemmódban valószínűleg több kezelést kell végeznie, hogy a kívánt eredményeket elérje.

Expressz Mód

Az Expressz Mód időtakarékos kezelési megoldást kínál a felhasználóknak. Ebben az üzemmódban gyorsabban elvégezheti a nagyobb területek kezelését, de az kevésbé lesz hatékony, és a kívánt eredmények elérése érdekében valószínűleg több kezelést kell majd végeznie.

MEGJEGYZÉS: Amikor a készüléket bekapcsolja, az automatikusan az alapértelmezett Nagyteljesítményű Módban (Teljes Teljesítmény) van.

- Ha egy másik üzemmódba szeretne átváltani, nyomja meg a kívánt gombot, hogy az világítani kezdjen.
- Miután döntött, és kiválasztotta az Önnek megfelelő üzemmódot, helyezze a kezelőablakot közvetlenül a bőrre.
- A készülék ekkor készen áll az első villanófényt kibocsátására. Az Érzékeny vagy Expressz Mód kiválasztásának megszüntetéséhez egyszerűen nyomja meg újra a kiválasztott gombot, és a készülék visszaáll a Nagyteljesítményű Módra; ekkor csak a Villanófényt Gomb világít.

KEZELÉS

FEJEK CSERÉJE

- Az i-LIGHT készülék két különböző Kezelőtoldattal rendelkezik:
- A Testkezelő Toldat nagyobb területek kezelésére, a testszőrzet eltávolítására való.
- A Precíziós Kezelőtoldat kisebb területek, például a női arc, a hónalj és a bikinivonal kezelésére szolgál.

A fejek cseréjéhez:

FIGYELMEZTETÉS: Mindig győződjön meg arról, hogy a készüléket KIKAPCSOLTA és a tápkábelt kihúzta az áramforrásból, mielőtt eltávolítaná a Kezelőtoldatot.

- Várjon 5 percet, hogy a rendszer lehűljön, mielőtt kicserélné a Kezelőtoldatot.
- 1. Billentse KIKAPCSOLT állásba a főkapcsolót, és húzza ki tápkábelt az elektromos aljzatból.
- 2. Tartsa az egyik kezében a készüléket, és a másik kezével óvatosan húzza le a Kezelőtoldatot (13. ábra).
MEGJEGYZÉS: A Kezelőtoldatot mágnes tartja a készüléken, és könnyen lehúzható.
TIPP: A nem használt Kezelőtoldatot őrizze meg biztonságos helyen (például a csomagolásban), és vigyázzon, nehogy a villanóablak vagy más alkatrészek megsérüljenek.
- 3. Óvatosan nyomja a másik Kezelőtoldatot a készülékre, és győződjön meg arról, hogy a helyére kattant.

Hogyan kezelje a bőrt?

1. Szorítsa rá a villanóablakot a bőrfelületre, így biztosítva, hogy a bőrfelület-érzékelők teljesen érzékeljék a bőrt. Ha a Bőrközelség-Érzékelők teljes felületükön érintkeznek a bőrrel, a készüléken található villanás gomb fehéren pulzál, és a kezelőfej oldalán található LED-ek világítani kezdenek, ezzel jelezve, hogy a készülék készen áll a villanófényt kibocsátására.

MEGJEGYZÉS: Ha a Bőrközelség-Érzékelők nem érintkeznek a bőrral teljes felületükön, a készülék nem fog működni a Villanás Gomb megnyomásakor, ehelyett berregő hangot ad. Ellenőrizze, hogy a Bőrközelség-Érzékelők teljes felületükön érintkeznek-e a bőrral.

2. Nyomja meg a Villanófény Gombot a villantáshoz. Egy erős villanó fényt kell látnia (hasonló a fényképezőgép vakujához), és enyhe meleget kell éreznie.
3. Vigye a következő terület fölé, és kezelje rácsvonalszerű mintát követve, hogy az ápolandó felületet a készülék teljes egészében bejárja.
 - Egyvillanásos üzemmódban, amikor egy új bőrfelület fölé viszi a készüléket, nyomja meg a villanólámpa gombját újra.
 - Többvillanásos üzemmódban az ujjával tartsa benyomva a villanólámpa gombját, és így húzza a készüléket a következő területre. Közben ellenőrizze, hogy a bőrfelület-érzékelők teljesen felfekszenek-e a bőrral. A következő villanás 3 másodperc után automatikusan következik (a teljes, Nagyteljesítményű Módban).
 - Ha többvillanásos üzemmódban felengedi a villanólámpa gombját, vagy a készülék nem érintkezik folyamatosan a bőrral, akkor egyszerűen folytassa a kezelést a fenti lépések megismétlésével.

Arckezelés (kizárólag nők számára)

Az arcszőrzet merőben más, mint a testen található szőrzet, továbbá az arcbőr általában érzékenyebb, és az sugárzás is gyakrabban éri. A nem kívánt arcszőrzet eltávolítása emiatt eltér a test többi felületén található szőrzetétől. Kérjük, hogy az arckezelés előtt gondosan tanulmányozza át a Figyelmeztetések és biztonsági előírások című részt.

FONTOS: A Precíziós Kezelőtoldatot kimondottan az egyedi jellemzőkkel rendelkező női arcszőrzet kezelésére tervezték. NE HASZNÁLJA az arcán a Testkezelő Toldatot. További információért lásd a 'Fejek Cseréje' részt.

A Precíziós Kezelőtoldat kizárólag a női arcon – az orcákon, a barkó részen, az állon, a nyakon, valamint az ajkak fölötti területen – található szőrszálak kezelésére használható. (2. ábra).

NE használja a férfi szakáll vagy arcszőrzet eltávolításához, mivel az eredmény tartós vagy egyenetlen lehet, és az arc karaktere nem kívánt módon változhat.

TIPPEK A KEZELÉSHEZ

Testkezelés

- A legjobb eredmény eléréséhez kerülje el a villanások átfedését. Ezzel segít megelőzni, hogy bőrral a szőrnövekedés elnyomásához szükségesnél több energia hatásának tegye ki.
- Azt is biztosítja, hogy Ön teljesen ki tudja használni az izzó energiáját.
- A leghatékonyabb eredmény eléréséhez mindig azt a legmagasabb intenzitási szintet alkalmazza, mely még nem okoz kellemetlen érzést bőrral számára. A javasolt szint meleg érzést eredményez a bőrfelszínen, de ez a meleg érzés még nem kellemetlen.
- Észreveheti, hogy a csontos területek, például a könyök, a sípcsont vagy a boka területe érzékenyebben reagál a kezelésre. Ez normális, nem ok az aggodalomra. Az ilyen jellegű érzékenység elkerüléséhez próbálja meg elhúzni a kezelendő bőrral a csontos területről.

Arckezelés

- Végezzen próbát egy kis bőrfelületen – mivel az arc bőrral általában érzékenyebb, a kezelés előtt végezzen próbát egy kis területen. További részletekért olvassa el Az i-LIGHT készülék kipróbálása a bőrral című részt.
- A kezeléshez használjon tükröt – így jól láthatja a kezelendő területet, és biztos lehet benne, hogy az ajkak vagy sötét pontokat elkerüli. Ha a visszaverődő fény kellemetlen érzést okoz, csukja be a szemét a villanások előtt.
- Feszítse meg a Bőrral a jobb Bőr Érintkezés érdekében – a bőr körvonalai nehezebben érintkezhetnek a bőrral való érintkezésével egyes területeken. Egyszerűbbnek találhatja, ha a felső ajkát a fogaira szorítja vagy használja a nyelvét az arca megfeszítéséhez a jobb érintkezés érdekében.

KEZELÉS UTÁNI ÁPOLÁS

A kezelés után a bőrral enyhe kipirosodását és melegség érzetet tapasztalhat. Ez normális, és gyorsan elmúlik. A bőrral kezelés utáni irritációjának elkerüléséhez végezze el a következő óvintézkedéseket:

- A kezelés után 24 óráig ne tegye ki a bőrral közvetlen napfénynek. SPF 30-as krémmel védje bőrral két hétig az egyes kezelése után.

MAGYAR

- A kezelés után legalább két hétig ne tegye ki bőrét napsütésnek, szoláriumozásnak vagy önbarnító krém hatásainak.
- A kezelés után tartsa tisztán és szárazon bőrét, hogy bőre hidratált maradjon.
- Ne vegyen forró fürdőt, forró zuhanyt, ne menjen gőzfürdőbe vagy szaunába, amíg az esetleges bőrpír vagy bőrzérkenység el nem múlik.
- A teljes kezelés alatt ne szőrtelenítsen (kerülje a gyantázást, csipeszt, trimmelés vagy szőrtelenítő krémeket) – a borotválás lehetséges, ha az egyes kezelések után 24 óráig nem borotválja az adott területet.
- Ne használjon fehéritő hatású krémeket, vagy illatosított termékeket a kezelés után 24 órán keresztül.

300 000 VILLANÁSÚ KÖRTE

- A körte 300 000 villanást biztosít az élettartama során
- Ennek a készüléknek az izzója garantáltan működőképes marad végig a jótállási időszak alatt – ahogyan ez a termékhez tartozó jótállási jegyen is olvasható.
- Ha az izzó eléri lehetséges élettartama 99%-át, a kezelőfej oldalán található egyik LED töltés közben pirosan világít.
- Miután az izzó élettartama letelt, nem tudja többé használni a készüléket.

i-LIGHT ESZKÖZÉNEK TISZTÍTÁSA

◆ FIGYELMEZTETÉS: Mielőtt megtisztítaná i-LIGHT készülékét, ellenőrizze, hogy a készülék ki van-e kapcsolva, és hogy a töltőszinór ki van-e húzva a készülékből.

A rendszeres tisztítás biztosítja az optimális működést és a készülék hosszú élettartamát.

- A villanóablakot csak az i-LIGHT készülékhez tartozó szálmentes törőkendővel tisztítsa. Ügyeljen arra, nehogy megkarcolja vagy betörje a villanóablakot. A karcolások és a repedések csökkenthetik a készülék hatékonyságát.
- A villanóablakon található makacs foltok eltávolításához nedvesítsen be sebbenzinnel vagy dörzsalkohollal egy vattapálcikát, finoman oldja fel a villanóablakon lévő szennyeződések, majd óvatosan törölje le a felületet a szálmentes kendővel
 - ◆ **FIGYELEM:** Ha a Villanás ablak törött vagy megrepedt, tilos a készüléket tovább használni. Soha ne karcolja meg a Kezelőfejben lévő szűrőüveget vagy a fém felületet.
 - ◆ **VIGYÁZAT:** Az i-LIGHT készülék nagy feszültséget használó eszköz. Soha ne merítse vízbe. Soha ne mossa a készüléket vagy bármely tartozékát folyó víz alatt vagy mosogatógépben.

Tárolás

A készülék tárolásának megkezdése előtt kapcsolja ki a készüléket, húzza ki a hálózati aljzathoz és hagyja hűlni 10 percig.

HIBAEHÁRÍTÁS

- Az i-LIGHT készülék használata előtt olvassa végig ezeket az utasításokat.
- Tekintse meg a jelen hibaelhárítási útmutatót, ha problémát tapasztal az i-LIGHT készülék használatával kapcsolatban, mivel ebben a részben megtalálja a leggyakoribb problémákat, melyek az i-LIGHT készülék használata alatt felmerülnek. Ha követte a jelen fejezet utasításait, de még mindig hibát tapasztal, lépjen kapcsolatba a Remington® Szervizközpontjával, ahol további segítséget kaphat.

A főkapcsoló BE van kapcsolva, de a készülék nem működik.

- Ellenőrizze, hogy a készüléket működő hálózati aljzathoz csatlakoztatta.
- Próbálja meg másik hálózati aljzathoz csatlakoztatni.

A készüléken karcolások vagy törések láthatóak.

- Ne használja a készüléket, ha az sérült. Amennyiben aggályai vannak a készülék használatával kapcsolatban, függesse fel a használatát, és lépjen kapcsolatba a Remington® Szervizközpontjával, ahol további segítséget kaphat.

BEKAPCSOLTAM a készüléket, de nem tudok Üzem módot váltani.

- Próbálja meg újraindítani a készüléket: kapcsolja ki, várjon pár másodpercet, majd kapcsolja vissza.

Furcsa illatot érzek.

- Győződjön meg arról, hogy a készülék használata előtt teljesen leborotválta a kezelendő területet.

Kezelés után a kezelt terület bevörösödik.

- Ez normális, a bőrpír el fog múlni. Ha nem, próbáljon átváltani az Érzékeny Módra.
MEGJEGYZÉS: Ha az i-LIGHT készülék túlságosan felforrósodik, a készülék várakozási módba áll. Várakozási módban a kezelőfej oldalán található 5 LED egymás után világítani kezd. Várjon néhány percig, hogy a kezelőfej lehűljön. Nem kell lekapcsolni a készüléket; a LED lámpák elalszanak, amint a készülék újra készen állt a használatra.

GYAKORI KÉRDÉSEK

- A gyakori kérdések teljes listája megtalálható a www.remington-ilight.com webcímen.

K.: A test mely területeit kezelhetem az i-LIGHT készülékkel?

V.: Az i-LIGHT készüléket mindkét nem számára terveztük a nyak alatti területekre, beleértve a lábat, az alkart, a bikinivonalat, a kart, a mellkast és a hátat. A nők használhatják az arcon, a járomcsont alatt megjelenő szőrszálak eltávolítására.

K.: Milyen kockázatai vannak az i-LIGHT használatának? Biztonságos?

V.: Az i-LIGHT készülék használata bizonyítottan biztonságos és hatékony, de mint minden elektromos készüléknél, ennél is fontos, hogy elolvassa és kövesse a használati útmutatót és a biztonsági előírásokat.

K.: Hosszú távú használat esetén veszélyes a bőrre az intenzíven pulzáló fény (IPL) technológia?

V.: Eddig nem dokumentáltak olyan mellékhatást vagy bőrsérülést, amely az intenzíven pulzáló fény (IPL) technológia hosszú távú használatával kapcsolatos.

K.: Miért nő a szőröm a kezelés ellenére?

V.: Az eredmények nem jelentkeznek azonnal, és egyéntől függően eltérőek lehetnek. A legtöbb felhasználó azt tapasztalja, hogy a kezelés megkezdése után 1-2 héten belül a szőrszálak mennyisége csökkenni kezd. Ez idő alatt úgy tűnhet, mintha a szőr még nőne, azonban az éppen „kilökődik”.

A szőrszálak három különböző szakaszból álló, 18-24 hónapig tartó ciklusokban nőnek. A kezelésre csak az aktív növekedési szakaszban lévő szőrszálak fogékonyak, ez az oka annak, hogy az optimális eredmény érdekében a kezelést többször is meg kell ismételni.

A folyamatos növekedés másik oka az lehet, hogy a kezelés során bizonyos területek kimaradtak. Ha azt veszi észre, hogy a szőrszálak visszanőnek, ismételje meg a kezelési eljárást.

K.: Miért nem használhatom az i-LIGHT készüléket, ha a bőröm napfénynek volt kitéve?

V.: Az erős napsugárzás hatására növekszik a melanin mennyisége, így nő annak a veszélye, hogy a bőre a kezelés után megég vagy felhólyagosodik.

K.: Szükségem van szemvédőre az i-LIGHT készülék használatakor?

V.: Nem, a készülék nem veszélyes szemeire. Az i-LIGHT biztonsági rendszerét úgy alakították ki, hogy ha az eszköz nem érintkezik a bőrrel, akkor a véletlenszerű villanások ki vannak zárva. A kezelés során kiszűrődő kis fény mennyiség olyan, mint a fényképezőgépek villanása, és nem jelent veszélyt a szemekre. A speciális kialakítású Kezelőtoldatok minimalizálják a kiszűrődő fényt. Ha a visszaverődő fény kellemetlen érzést okoz, csukja be a szemét a villanások előtt.

HU

ÚJRAHASZNOSÍTÁS

Az alábbi jelölések valamelyikével ellátott készülékekben, valamint újratölthető és nem újratölthető akkumulátorokban jelen lévő veszélyes anyagok jelentette környezeti és egészségi kockázatok elkerülése érdekében ezeket tilos a háztartási hulladékkal együtt megsemmisíteni. Az elektromos és elektronikus termékeket, és, ha vannak, az újratölthető és nem újratölthető akkumulátorokat mindig a megfelelő hivatalos hulladék-újrahasznosító/begyűjtő központba kell vinni.

MAGYAR

Фотоэпилятор

Спасибо за покупку нового изделия Remington®. Перед использованием внимательно ознакомьтесь с инструкцией и сохраните ее. Перед применением изделия снимите с него упаковку.

ВАЖНЫЕ МЕРЫ БЕЗОПАСНОСТИ

- Данный прибор не должен использоваться лицами в возрасте до 18 лет и лицами с ограниченными физическими, сенсорными или умственными способностями или нехваткой опыта и знаний, если они не были контролируемы / инструктированы и понимают опасности, связанные с использованием прибора. Дети не должны играть с прибором. Очистка и обслуживание прибора не должна производиться лицами моложе 18 лет.
- Храните устройство и кабель в недоступном для детей до 8 лет месте.
- Не пользуйтесь изделием с поврежденным шнуром. Сменную деталь можно получить в авторизованных сервисных центрах.
- ⊘ Корпус данного устройства не должен подвергаться мойке и не является водостойчивым. Не погружайте устройство в жидкость; не пользуйтесь им вблизи воды в ванне, бассейне, прочих емкостях; не используйте устройство на улице.
- Изделие создает опасное излучение в оптическом диапазоне. Не смотрите на источник света, это может быть вредно для глаз.
- Устройство допускается использовать только по назначению, указанному в данном руководстве.
- Не используйте прибор, если он поврежден или работает с перебоями.
- Включенный в розетку прибор нельзя оставлять без присмотра.
- Шнур питания и вилку следует держать подальше от нагретых поверхностей.
- Используйте только оригинальные аксессуары.
- Не перекручивайте и не перегибайте шнур, не закручивайте его вокруг прибора.
- Не подключайте к сети и не отключайте устройство от сети влажными руками.
- Данное устройство не предназначено для коммерческого использования или применения в салонах.
- Изделие предназначено для бытовых нужд

Перед началом эксплуатации i-LIGHT:

Прочитайте все предупреждения и сведения о безопасности. Перед началом работы проверьте, подходит ли вам i-LIGHT.

Чтобы узнать, подходит ли вам данное устройство, воспользуйтесь таблицей цветов кожи и волос на обложке данного руководства, а также встроенным датчиком фототипа кожи (рис. 1).

ПРЕДУПРЕЖДЕНИЕ. Устройство i-LIGHT не подходит для использования на очень темной или черной коже. Устройство i-LIGHT неэффективно на белых или седых волосах и менее эффективно на светлых или рыжих волосах.

Для использования на лице: предназначено только для удаления волосков на щеках, висках, подбородке, в области шеи и над губой у женщин (рис. 2).

НЕ используйте на глазах, а также на бровях и ресницах. Это может привести к серьезному повреждению глаза.

Тип кожи

- Не применяйте для естественно темной кожи во избежание возникновения ожогов, волдырей и изменения цвета кожи.
- Не применяйте на загорелой коже или после недавнего воздействия солнца во избежание ожогов и повреждения кожи.
- Устройство i-LIGHT неэффективно при обработке естественных седых, белокурых и рыжих волос на лице и теле.

Зоны, не подлежащие обработке:

- Не применяйте на коже головы и ушей.
- Не применяйте на лице и шее мужчин.
- Не применяйте на коже над скулой (женского).
- Не применяйте на сосках, околососковых кружках и половых органах.
- Не применяйте в области татуировок или татуажа.
- Не применяйте на темно-коричневых и черных пятнах – родинках, родимых пятнах, веснушках.
- Не используйте в местах недавнего хирургического вмешательства, глубокого пилинга, лазерной шлифовки, на шрамах или коже, поврежденной в результате ожогов.

Когда не использовать/избегать использования i-LIGHT

- НЕ используйте устройство на загоревшей коже в предполагаемой зоне обработки, поскольку кожа может оказаться слишком темной и обработка загоревших участков кожи может временно привести к отекам, волдырям либо может изменить цвет кожи. Подождите, пока не сойдет загар, прежде чем провести процедуру.
- НЕ используйте на коже, на которую нанесена косметика, поскольку это может временно привести к отекам, волдырям, либо может изменить цвет кожи. Перед использованием устройства убедитесь в том, что выбранная область обработки тщательно очищена.
- НЕ воздействуйте импульсом света на одном и том же месте несколько раз в течение одной сессии, поскольку это может временно привести к отекам, волдырям либо может изменить цвет кожи.
- НЕ проводите процедуру на одной области чаще, чем раз в неделю, поскольку это не ускорит результат, но может повысить вероятность отека кожи, образования волдырей или изменения цвета кожи.
- НЕ используйте на поврежденной коже, включая открытые раны, герпес, ожоги или области, на которых был проведен пилинг кожи или другие процедуры, влияющие на поверхность кожи, в течение последних 6—8 недель.
- НЕ используйте на раздраженной коже, включая сыпь или припухлость. Эти условия могут повысить чувствительность кожи. Подождите до выздоровления кожи прежде, чем начать использование.
- НЕ используйте, если кожа чувствительна к свету. Для того чтобы определить, можете ли вы использовать i-LIGHT, выполните проверку на небольшом участке кожи и подождите 24 часа, чтобы выяснить, есть ли побочные реакции, прежде чем начать обработку большей поверхности.
- НЕ используйте, если вы беременны или кормите грудью. Устройство i-LIGHT не было испытано на беременных женщинах. Гормональные изменения во время беременности и грудного вскармливания могут повысить чувствительность кожи и риск ее повреждений.
- НЕ применяйте импульс на каком-либо материале, кроме кожи.
- НЕ используйте i-LIGHT в каких-либо иных целях, кроме удаления волос.
- НЕ обрабатывайте области, на которых в будущем, возможно, потребуется отрастить волосы. Результат процедур может быть постоянным и необратимым.
- Не использовать на лице, если у вас был герпес; применение интенсивного импульсного излучения (IPL) или другого раздражающего кожу воздействия может вызвать рецидив герпеса.
- Если вы проходили профессиональные, клинические или самостоятельные процедуры по удалению волос с использованием лазера, IPL или электролиза, подождите не менее 6 месяцев, прежде чем использовать i-LIGHT. Если вы удаляли волосы в области обработки при помощи воска, эпилятора или выщипывали их, подождите не менее 6 недель, прежде чем использовать i-LIGHT. Устройство влияет на волосы под кожей, чтобы воздействовать на корни волос, поэтому процедура будет неэффективной, если волоски были выдернуты.
- Не использовать на искусственных частях, таких как силиконовые имплантаты, контрацептивные имплантаты Implanon, кардиостимуляторы, отверстия подкожных инъекций (дозатор инсулина), пирсинг, и возле них.
- Несмотря на то, что в ходе исследований не были выявлены проблемы с применением данного изделия, при использовании активных имплантируемых медицинских устройств рекомендуется соблюдать все меры предосторожности, касающиеся электронных приборов, для предупреждения любых сбоев или нарушений в работе активного имплантируемого устройства.
- Беспроводные средства связи могут повлиять на работу устройства i-LIGHT и должны находиться на расстоянии не менее 3,3 метра.
- Не используйте рядом или на предметах, содержащих металл, зубных имплантах и скобах..

РУССКИЙ

ОСНОВНЫЕ ХАРАКТЕРИСТИКИ (РИС. 3)

- | | |
|--------------------------------------|-------------------------------------|
| 1. Выключатель | 10. Шнур ручного блока |
| 2. Вход питания | 11. Окошко вспышки |
| 3. Блок питания | 12. Сенсор контакта с кожей |
| 4. Ручной блок | 13. Насадка Для Тела |
| 5. ✦ Мощный режим кнопка вспышки | 14. Насадка Для Лица |
| 6. ✦ Деликатный режим кнопка вспышки | 15. Шнур питания |
| 7. ⚡ Экспресс-режим кнопка вспышки | 16. Безворсовая ткань |
| 8. Светодиодный индикатор | 17. Чехол Для Хранения (не показан) |
| 9. Сенсор определения типа кожи | |

НАЧАЛО РАБОТЫ

Откройте первую и последнюю страницы этой инструкции по использованию, чтобы иметь возможность сверяться со схемами во время чтения.

Возможно, вам потребуется некоторое время для полного ознакомления с функциями прибора.

ЗНАКОМСТВО С i-LIGHT

Что такое i-LIGHT?

Система i-LIGHT – это революционное устройство со световым воздействием для домашнего удаления нежелательных волос на теле и лице у женщин.

В устройстве i-LIGHT применяются клинически проверенные технологии, аналогичные тем, что используют профессиональные дерматологи и салоны красоты, но оптимизированные для личного использования.

Что такое интенсивное импульсное излучение (технология IPL) и как работает i-LIGHT?

Технология IPL — (интенсивное импульсное излучение) это хорошо зарекомендовавшая себя технология, используемая во всем мире уже более 15 лет. i-LIGHT использует эту технологию для обработки вашей кожи интенсивным импульсом света.

Импульс, проникая под поверхность кожи, воздействует на корни волосков и подавляет их дальнейший рост. (Рис. 4).

Энергия импульса света лучше поглощается поверхностями темного цвета, поэтому лучшие результаты видны на темных волосах.

i-LIGHT предназначен для кожи светлого, среднего и темного цветов (цвета кожи I-V).

Чего ожидать от i-LIGHT

Результаты не моментальные и могут различаться в конкретных случаях. Большинство пользователей через 1-2 недели после начала процедур отметят сокращение количества волос. В это время может казаться, что волосы все еще растут, но на самом деле они «выталкиваются». (Рис. 5).

Волосы растут в течение 3 разных фаз, каждая из которых длится 18-24 месяцев. (Рис. 6). Обработка действует только на волосы в активной фазе роста, поэтому для устойчивого результата требуется повторение процедур. Важно полностью выполнить весь курс и дополнительные процедуры, чтобы подвергнуть обработке каждый активный волос.

Курс процедур

Полный курс процедур состоит из трех процедур, выполняемых с интервалом в две недели. Результаты в конкретных случаях могут отличаться, поэтому для устойчивого результата требуется повторение процедур. Волосы, которые будут вырастать, станут реже, тоньше и светлее первоначальных волос. Такие изменения в росте абсолютно нормальны и ожидаемы. После завершения полного курса обработки для получения лучших результатов понадобятся дополнительные процедуры (проводятся с интервалом в четыре недели). Дальнейшее регулярное использование раз в четыре недели даст хорошие результаты в течение 8—12 недель (для более темных цветов кожи может потребоваться больше времени). Не используйте устройство чаще, чем раз в две недели. ПРИМЕЧАНИЕ. Следует избегать многократной обработки одного и того же участка в течение одного сеанса. Это не повысит эффективность, однако увеличит риск раздражения кожи.

ОЗНАКОМЬТЕСЬ СО СВОИМ УСТРОЙСТВОМ i-LIGHT

Окошко вспышки со встроенным УФ-фильтром (рис. 7)

ПРЕДУПРЕЖДЕНИЕ: перед эксплуатацией всегда осматривайте окошко вспышки на предмет целостности линзы.

ПРЕДУПРЕЖДЕНИЕ: перед эксплуатацией всегда протирайте окошко вспышки безворсовой тканью, стирая с линзы возможные остатки масла или грязи.

Сенсор контакта с кожей (рис. 8)

Этот механизм предотвращает случайные вспышки. Устройство не произведет вспышку, пока оба датчика контакта с кожей не будут полностью прижаты к коже.

Мощный Режим, Деликатный Режим и Экспресс-Режим (рис. 9)

Кнопки Мощного режима, Деликатного режима и Экспресс-режима расположены на ручном блоке.

Устройство Проверки Цвета Кожи (рис. 10)

Позволяет использовать прибор только на подходящих типах кожи.

Насадки

Насадка Для Тела для больших площадей кожи ниже шеи (рис. 11).

Насадка Для Точной Обработки для небольших участков лица: на щеках, висках, подбородке, в области шеи и над губой (рис. 12).

Фиксатор насадки (рис. 13)

Зажмите насадку в указанных местах и с силой потяните наружу, чтобы высвободить насадку. При замене насадки магниты помогут выровнять ее для установки в нужное положение.

ПОДГОТОВКА К ЭКСПЛУАТАЦИИ

ПОДГОТОВЬТЕ КОЖУ К ПРОЦЕДУРЕ

- Убедитесь, что обрабатываемый участок чист, не содержит остатков масла, дезодоранта, духов, косметики, лосьонов и кремов. Удалите волоски на обрабатываемой поверхности при помощи бритвы или триммера и убедитесь, что кожа чистая и сухая.
- Перед использованием на лице вы, возможно, захотите подстричь волосы. Если вы использовали триммер, убедитесь, что длина волосков не превышает 0,5 мм.
- Не пользуйтесь воском, пинцетом, средствами для эпиляции или другими методами, которые удаляют волосы с корнем, поскольку в таком случае использование фотоэпилятора не эффективно.

ПОДГОТОВКА i-LIGHT К ИСПОЛЬЗОВАНИЮ

- Подключите шнур питания к розетке.

ПРОВЕРЬТЕ СВОЙ ФОТОТИП КОЖИ

- Чтобы определить, подходит ли ваш цвет кожи для этого устройства, сравните цвет кожи на участках, которые предполагается обрабатывать, с Таблицей Цветов Кожи в начале данного руководства (рис. 1).
- Если цвет вашей кожи совпадает со светлым, средним или темным цветом в Таблице Цветов Кожи (Skin Tone I - V), вы можете использовать это устройство i-LIGHT.
- Если цвет вашей кожи на участке, который подлежит обработке, совпадает с самым темным цветом в Таблице Цветов Кожи, НЕ используйте это устройство (цвет кожи VI — Skin Tone VI).
- Это устройство i-LIGHT снабжено встроенным УСТРОЙСТВОМ ПРОВЕРКИ ЦВЕТА КОЖИ на аппликаторе, чтобы избежать непреднамеренного попадания цвета на слишком темную для обработки кожу.
- Если ваша кожа подходит для обработки, i-LIGHT выполнит вспышку, а светодиодные индикаторы сбоку ручного блока начнут светиться белым светом. Количество светящихся индикаторов будет означать ваш цвет кожи.
- Если ваша кожа слишком темная для обработки, устройство выполнит вспышку в энергосберегающем режиме, после чего будет подано четыре звуковых сигнала и начнет светиться красный светодиод на боку ручного блока.
- Если вы считаете, что ваша кожа подходит для обработки в соответствии с Таблицей Цветов Кожи (рис. 1), но устройство издает четыре звуковых сигнала после вспышки, попробуйте применить его на другом участке обработки.

РУССКИЙ

ПОПРОБУЙТЕ ДЕЙСТВИЕ УСТРОЙСТВА i-LIGHT НА КОЖЕ

Проверьте устройство i-LIGHT на маленьком участке кожи и подождите 24 часов, чтобы убедиться в отсутствии побочных реакций.

1. Поместите ручной блок i-LIGHT на участок кожи, чтобы окошко вспышки лежало на поверхности кожи.
2. Убедитесь, что Сенсоры Контакта С Кожей полностью задействованы, а светодиодные индикаторы светятся белым светом.
3. Выберите необходимый режим и нажмите кнопку, чтобы произвести вспышку.
СОВЕТ. Поскольку дискомфорт от легкого до умеренного является нормальным, возможно, вам следует начать с Деликатного режима и переключиться на Мощный режим, только когда он станет для вас комфортным.
4. Подождите 24 часа, а затем осмотрите область испытания. Если кожа выглядит нормально, проведите первую полную процедуру на уровне интенсивности, который вы определили во время испытания.
ПРИМЕЧАНИЕ. Испытывать устройство следует на каждой области лица или тела, которую вы хотите обработать.

ВЫБЕРИТЕ РЕЖИМ РАБОТЫ

- Встроенное УСТРОЙСТВО ПРОВЕРКИ ЦВЕТА КОЖИ на аппликаторе установит соответствующий уровень мощности для каждой настройки в зависимости от зарегистрированного цвета кожи.
- Данное устройство i-LIGHT имеет 3 различных режима работы: Мощный режим (полная мощность), Деликатный режим и Экспресс-режим. При включении устройство будет работать в Мощном режиме. Оно будет производить вспышки с интервалом примерно 3 секунды в Мощном режиме и в Деликатном режиме и менее 1 секунды в Экспресс-режиме.

Мощный режим

Мощный режим (полная мощность) обеспечивает наивысший приемлемый для вас уровень мощности. Этот режим идеально подходит для обработки как больших, так и небольших участков с наилучшими результатами. Мощный режим обеспечит наилучшее удаление волос за меньшее количество процедур, но может быть менее комфортным.

Деликатный режим

Деликатный режим предназначен для тех, кому Мощный режим кажется слишком интенсивным. Деликатный режим — это менее мощный режим, предназначенный для чувствительных к дискомфорту людей, которые все же хотят удалить нежелательные волосы. В этом режиме для достижения желаемых результатов может потребоваться несколько большее количество процедур.

Экспресс-режим

Экспресс-режим предоставляет пользователям возможность скоростного выполнения процедур. В этом режиме можно обрабатывать большие участки с высокой скоростью, но он может быть менее эффективен и для достижения желаемых результатов понадобится несколько большее количество процедур.

ПРИМЕЧАНИЕ. При включении устройства оно автоматически переходит в Мощный режим (полная мощность).

- Чтобы переключиться в другой режим, нажмите нужную кнопку, чтобы она начала светиться.
- После выбора нужного режима работы плотно прижмите окошко обработки к коже.
- Теперь устройство готово к выполнению первой вспышки. Чтобы отменить выбор Деликатного режима или Экспресс-режима, нажмите выбранную кнопку еще раз, и устройство переключится обратно в Мощный режим. При этом будет светиться только Кнопка Вспышки.

ПРОЦЕДУРА

ЗАМЕНА НАСАДОК

- Устройство i-LIGHT поставляется с двумя отдельными Насадками Для Обработки:
- Насадка Для Тела предназначена для обработки больших участков, например для удаления волос с тела.
- Насадка Для Точной Обработки предназначена для меньших участков, например удаления волосков на лице, в подмышечных впадинах и в зоне бикини у женщин.

Для замены насадок:

ПРЕДУПРЕЖДЕНИЕ. Перед снятием Насадки Для Обработки необходимо обязательно убедиться, что устройство выключено, а шнур питания отсоединен.

- Перед заменой Насадки Для Обработки необходимо дать системе остыть в течение 5 минут.
- 1. Выключите фотоэпилятор и выньте из розетки шнур питания.
- 2. Удерживайте устройство одной рукой, а другой осторожно потяните за Насадку Для Обработки (рис. 13).
ПРИМЕЧАНИЕ. Насадки Для Обработки удерживаются на устройстве магнитами и должны легко сниматься.
СОВЕТ. Неиспользуемые Насадки Для Обработки храните в безопасном месте (например, в упаковке), чтобы не повредить окошко вспышки и прочие компоненты.
- 3. Осторожно установите на устройство другую Насадку Для Обработки и убедитесь, что она защелкнулась на месте.

Руководство по обработке:

1. Плотно прижмите окошко вспышки к коже. Убедитесь, что датчики контакта с кожей полностью соприкасаются с кожей. Если Сенсоры Контактa С Кожей полностью прижаты к коже, Кнопка Вспышки будет мигать белым цветом, а светодиодные индикаторы сбоку ручного блока начнут светиться, сигнализируя, что устройство готово к вспышке.
ПРИМЕЧАНИЕ. Если Сенсоры Контактa С Кожей НЕПОЛНОСТЬЮ прижаты к коже, устройство начнет жужжать и не будет работать при нажатии Кнопки Вспышки. Еще раз убедитесь, что Сенсоры Контактa С Кожей полностью прижаты к коже.
 2. Нажмите на кнопку вспышки, чтобы произвести вспышку. Следует ожидать яркой вспышки света (как в фотоаппарате), также вы должны почувствовать мягкое ощущение тепла.
 3. Переходите к следующему участку и обрабатывайте по принципу решетки, чтобы обеспечить полное покрытие области обработки.
- При обработке в режиме одноразовой вспышки нажимайте кнопку вспышки каждый раз, когда переходите к следующему участку.
 - При обработке в режиме многократной вспышки удерживайте палец на кнопке вспышки так, чтобы она была нажата, и переходите к следующему участку, удостоверившись, что датчики контакта с кожей полностью соприкасаются с кожей. Следующая вспышка будет произведена автоматически спустя 3 секунды (в режиме полной мощности).
 - В режиме многократной вспышки: если вы отпустите кнопку вспышки или потеряете контакт с кожей, просто возобновите обработку, повторяя вышеприведенные шаги.

RU

Обработка кожи лица (только для женщин)

Волосы на лице отличаются от волос на теле; кожа на лице более чувствительна, более подвержена излучению солнца. Поэтому удаление волос на лице отличается от удаления волос на теле. Обязательно внимательно прочтите предупреждения и меры предосторожности, прежде чем использовать фотоэпилятор на лице.

ВАЖНО! Насадка Для Точной Обработки специально разработана для удаления сложных для удаления волосков на женском лице. НЕ обрабатывайте лицо Насадкой Для Тела. Дополнительную информацию см. в разделе «Замена насадок». Насадка Для Точной Обработки предназначена только для удаления волосков на щеках, висках, подбородке, в области шеи и над губой у женщин. (Рис. 2).

НЕ используйте насадку для удаления волос на мужском лице в зоне бороды или в других зонах, так как результат может быть долговременным или неравномерным, что может привести к нежелательным изменениям характеристик кожи лица.

СОВЕТЫ ПО ПРОЦЕДУРЕ

Удаление волос на теле

- Для повышения эффективности избегайте наложения вспышек. Таким образом, вы не допустите воздействия большего количества энергии, чем необходимо для подавления роста волос.
- Таким образом обеспечивается максимальное использование лампы.
- Для повышения эффективности всегда используйте максимальный уровень интенсивности, не вызывающий дискомфортных ощущений на коже. Вместо дискомфорта вы должны ощущать на коже тепло.

РУССКИЙ

- Вы можете отметить, что костистые области тела, такие как локти, голени и лодыжки, более чувствительны во время процедуры. Это нормально и не является поводом для тревоги. Чтобы понизить чувствительность, во время выполнения процедуры постарайтесь оттягивать кожу от костистой области.

Обработка кожи лица

- Обработайте небольшой участок кожи — кожа лица более чувствительна, поэтому сначала следует попробовать на небольшом участке. Подробнее см. в разделе «Протестируйте i-LIGHT на своей коже».
- Выполняйте процедуры перед зеркалом — пользуясь зеркалом, вы будете иметь хороший обзор обрабатываемой области и не зацепите губы или другие темные участки. Если отраженный свет доставляет вам дискомфорт, вы можете закрыть глаза или отвести взгляд.
- Для лучшего контакта с кожей натягивайте кожу – из-за контуров лица в определенных местах датчику тяжело полностью прижаться к коже. Проще будет, например, завернуть верхнюю губу за зубы или натягивать языком кожу на щеках – так контакт с кожей будет эффективнее.

ПОСЛЕДУЮЩИЙ УХОД

После процедуры в местах обработки может наблюдаться легкое покраснение или чувство тепла. Это нормально и скоро пройдет. Во избежание раздражения кожи после обработки выполняйте следующие меры предосторожности:

- Избегайте воздействия солнечных лучей в течение 24 часов после процедуры. Защитите кожу SPF 30 на 2 недели после каждой процедуры.
- Не усиливайте воздействие солнца – не загорайте, не пользуйтесь солярием и автозагаром как минимум 2 недели после процедуры.
- После процедуры обработанные места следует держать чистыми и сухими, чтобы кожа оставалась увлажненной.
- Не принимайте ванну или душ, а также не посещайте баню или сауну до тех пор, пока не пройдет покраснение или не снизится чувствительность кожи.
- Во время процедур не делайте депиляцию (воском, кремом, нитью или путем выщипывания). Брить волосы можно спустя 24 часа после проведения процедуры.
- Не пользуйтесь отбеливающими кремами и парфюмерными продуктами в течение 24 часов после процедуры.

300 000 ВСПЫШЕК ЛАМПОЧКИ

- Срок эксплуатации лампы рассчитан на 300 000 вспышек
- Лампа в этом устройстве прослужит в течение всего срока гарантии, как указано в гарантийном талоне, прилагаемом к устройству.
- Когда лампа достигнет 99% возможного срока службы, светодиодные индикаторы сбоку ручного блока будут светиться красным цветом при включении устройства.
- Когда срок службы лампы закончится, пользоваться устройством будет невозможно.

ЧИСТКА УСТРОЙСТВА i-LIGHT

⚠ ОСТОРОЖНО! Перед чисткой i-LIGHT убедитесь, что устройство ВЫКЛЮЧЕНО, а шнур зарядки отсоединен от устройства.

Если устройство регулярно чистить, вы достигнете оптимальных параметров эксплуатации и срока хранения.

- Для чистки окошка вспышки пользуйтесь только входящей в комплект устройства i-LIGHT безворсовой тканью. Будьте аккуратны, не царапайте окошко вспышки. Царапины и сколы снижают эффективность устройства.
- Для удаления стойких загрязнений с окошка вспышки смочите ватный тампон медицинским или протирочным спиртом и аккуратно протрите окошко вспышки входящей в комплект безворсовой тканью.

⚠ ПРЕДУПРЕЖДЕНИЕ: Не используйте устройство с треснутым или разбитым окошком вспышки. Не царапайте стекло фильтра и металлическую поверхность внутри насадки.

⚠ ОСТОРОЖНО: Устройство i-LIGHT является прибором высокого напряжения. Не погружайте его в воду. Не промывайте устройство или его детали под проточной водой или в посудомоечной машине.

Хранение

Выключите устройство, отключите его от сети и дайте остыть 10 минут. Устройство готово к хранению.

ПОИСК НЕИСПРАВНОСТЕЙ

- Перед эксплуатацией i-LIGHT всегда полностью читайте инструкции.
- Если с i-LIGHT возникают проблемы, обращайтесь к данному руководству по поиску и устранению неисправностей, поскольку в этом разделе рассматриваются самые частые проблемы, с которыми вы можете столкнуться во время эксплуатации i-LIGHT.
- Если после выполнения настоящих указаний проблема остается нерешенной, для дальнейшей поддержки просим вас связаться с сервисным центром компании Remington®.

После включения прибор не работает.

- Убедитесь, что устройство подключено к работающей розетке.
- Попробуйте подключить прибор к другой розетке.

На приборе имеются трещины, или он сломан.

- Не используйте прибор, если он поврежден. Если у Вас есть сомнения по поводу использования прибора, прекратите его эксплуатацию и обратитесь за помощью в сервисный центр компании Remington®.

Я включил (-а) устройство, но не могу сменить режим.

- Попробуйте перезагрузить прибор, выключив его на несколько секунд и снова включив.

Появление необычного запаха.

- Убедитесь в том, что обрабатываемая зона перед процедурой была полностью выбрита.

Обрабатываемая зона после процедуры покраснела.

- Это нормально, покраснение пройдет. В противном случае попробуйте переключиться в Деликатный Режим. ПРИМЕЧАНИЕ. В случае перегрева устройства i-LIGHT оно переключится в режим ожидания. В режиме ожидания 5 светодиодных индикаторов на ручном блоке начнут включаться по очереди. Подождите несколько минут, чтобы дать устройству остыть. Не нужно отключать устройство, светодиодные индикаторы перестанут включаться, когда устройство будет вновь готово к использованию.

RU

ЧАСТО ЗАДАВАЕМЫЕ ВОПРОСЫ

- Полный список часто задаваемых вопросов приведен на сайте (www.remington-ilight.com)
- В. Какие области тела можно обрабатывать с помощью i-LIGHT?
- О. Устройство i-LIGHT разработано для использования лицами обоих полов в областях ниже шеи, в том числе на ногах, в подмышечных впадинах, по линии бикини, на руках, груди и спине. Женщины могут применять устройство для удаления волос на лице под щеками.
- В. Какой риск таит в себе применение i-LIGHT? Безопасно ли это?
- О. Доказано, что устройство i-LIGHT безопасно в использовании и эффективно, однако, как и в случае с любым электронным устройством, необходимо прочесть и выполнять инструкции по эксплуатации, а также соблюдать меры предосторожности.
- В. Применение IPL опасно для кожи после длительного применения?
- О. О побочных эффектах или повреждениях кожи вследствие длительного применения интенсивного импульсного излучения (IPL) не сообщалось.

РУССКИЙ

- В. Почему, несмотря на процедуры, мои волосы продолжают расти?
- О. Результаты не моментальны и могут различаться в конкретных случаях. Большинство пользователей через 1-2 недели после начала процедур отметят сокращение количества волос. В это время может казаться, что волосы все еще растут, но на самом деле они «выталкиваются».
- Волосы растут в течение 3 разных фаз, каждая из которых длится 18-24 месяцев. Обработка действует только на волосы в активной фазе роста, поэтому для устойчивого результата требуется повторение процедур. Другой причиной непрерывного роста волос может быть участок, пропущенный при обработке. Повторите процедуру, если вы отметили повторный рост.
- В. Почему нельзя использовать i-LIGHT после недавнего загара?
- О. Солнечное воздействие вызывает высокий уровень меланина и подвергает обрабатываемую кожу повышенному риску возникновения ожогов и волдырей.
- В. Нужно ли пользоваться защитой для глаз при применении i-LIGHT?
- О. Нет, процедура не представляет вреда для глаз. В i-LIGHT есть система безопасности, которая предотвращает непреднамеренное возникновение вспышки, если устройство не касается кожи. Маленькое количество света, излучаемое во время процедуры, соответствует вспышке фотокамеры и не представляет вреда для глаз. Специально разработанные Насадки Для Обработки сводят к минимуму утечку света. Если отраженный свет доставляет вам дискомфорт, вы можете закрыть глаза или отвести взгляд.

ПОВТОРНАЯ ПЕРЕРАБОТКА



Во избежание воздействия вредных веществ на окружающую среду и здоровье приборы и батареи одноразового или многоразового использования, помеченные одним из этих символов, необходимо утилизировать отдельно от несортированных бытовых отходов. Обязательно утилизируйте электрические и электронные изделия, а также (если это применимо) батареи одноразового или многоразового использования в соответствующих официальных пунктах повторной переработки / сбора отходов.

Yeni Remington® ürününüzü satın aldığınız için teşekkür ederiz. Kullanmadan önce, lütfen bu talimatları dikkatle okuyun ve güvenli bir yerde saklayın. Kullanmadan önce ürünün tüm ambalajlarını çıkarın.

ÖNEMLİ GÜVENLİK ÖNLEMLERİ

- Bu cihaz, bir ebeveyn gözetimi olmadan 18 yaş altındakiler ve fiziksel/psikolojik olarak hassas durumda olan kişiler tarafından kullanılmamalıdır. Çocukların ulaşamayacağı yerde muhafaza ediniz ve oynamalarına izin vermeyiniz. Temizleme ve bakım işlemleri 18 yaşından küçük kişiler tarafından yapılmamalıdır.
- Cihazı ve kablosunu 8 yaşından küçük çocukların ulaşamayacağı yerlerde muhafaza edin.
- Kablosu hasarlı bir ürünü kullanmayın. Ürünü yenilemek için Uluslararası Servis Merkezlerimize başvurun.
- ⊘ Bu cihazın gövdesi yıkanmaz ve suya dirençli değildir. Cihazı sıvıya daldırmayın; banyo küveti, lavabo veya içi su dolu diğer kapların yanında veya yakınında kullanmayın ve dış mekanlarda kullanmayın.
- Bu üründen tehlikeli optik radyasyon yayılma olasılığı bulunmaktadır. Işık kaynağına doğrudan bakmayın, gözleriniz hasar görebilir.
- Bu cihazı sadece bu kılavuzda açıklanan kullanım amacı doğrultusunda kullanın.
- Cihaz hasarlı veya arızalıysa kullanmayın.
- Cihazı elektrik prizine takılı durumdayken gözetimsiz bırakmayın.
- Cihazın fişini ve elektrik kablosunu sıcak yüzeylerden uzak tutun.
- Cihaza, firmamızdan temin edilen ürünler dışında parça eklemeyin.
- Cihazın kablosunu bükmeyin veya dolaştırmayın ya da cihazın etrafına sarmayın.
- Cihazın fişini ıslak ellerle prize takmaya veya prizden çıkarmaya çalışmayın.
- Bu cihaz, ticari kullanım için veya kuaför salonlarında kullanılmak üzere tasarlanmamıştır.

i-LIGHT kullanmaya başlamadan önce:

Tüm Uyarılar ve Güvenlik Bilgileri'ni okuduğunuzdan emin olun. Başlamadan önce, i-LIGHT sizin için uygun olup olmadığını kontrol edin.

Bu kılavuzun ön kısmında yer alan cilt ve tüy tablolarını ve entegre cilt sensörünü kullanarak, bu cihazın sizin için uygun olup olmadığını karar verin (Şekil 1).

UYARI: i-LIGHT, çok koyu ya da siyah ciltlerde kullanım için uygun değildir. i-LIGHT, açık ya da gri tüylerde etkili değildir. Sarı ya da kırmızı tüylerde ise daha az etkilidir.

Yüz tüylerinde kullanım: i-LIGHT, yalnızca kadınların yanak, favori, çene, boyun bölgesi ve dudak üstü tüyleri için uygundur (Şekil 2).

Gözlerde, kaş ve kirpiklerde KULLANMAYIN. Cihazı bu bölgelerde kullanmanız gözlerinizde kalıcı hasara yol açabilir.

Cilt Tipi

- Yanıklara, kabarcıklara ve cilt renginde değişikliğe yol açabileceğinden, doğal şekilde koyu ciltlerde kullanmayın.
- Yanıklara veya ciltte tahribata neden olacağından, bronz ciltlerde veya bir güneş banyosunun hemen ardından kullanmayın.
- i-LIGHT doğal şekilde beyaz, gri, sarı veya kırmızı olan yüz ve vücut tüylerinde etkili değildir.

İşlem yapılmaması gereken alanlar:

- Saç derisi veya kulaklar üzerinde kullanmayın.
- Erkeklerde yüz veya boyun bölgesinde kullanmayın.
- Elmacık kemiklerinin üst kısmındaki alanda (kadınlarda) kullanmayın.
- Göğüs uçları, meme başları veya jenetik bölgelerde kullanmayın.
- İşlem yapılacak alanda dövme veya kalıcı makyajınız varsa, kullanmayın.
- Et beni, doğum lekesi veya çil gibi koyu veya siyah renkli leke veya benlerin üzerinde kullanmayın.
- Yeni yapılmış ameliyat, derin peeling, lazerle yenileme, yara izi veya yanıkla veya haşlanarak hasarlanmış cilt bölgelerinde kullanmayın.

TÜRKÇE

i-LIGHT ne zaman kullanılmamalı/kullanılmaktan kaçınılmalı

- Hedeflenen işlem alanında cildiniz güneşte bronzlaşmışsa, cildiniz aşırı koyu renkli olabileceğinden ve bu alanlarda işlem yapmak ciltte geçici olarak şişkinlik ve kabarcıklara yol açabileceğinden veya cildinizin rengini değiştirebileceğinden, KULLANMAYIN. Seanslara başlamadan önce cildinizin renginin açılmasını bekleyin.
- Cildinizde kozmetik ürünler uygulanmış alanlarda işlem yapmak ciltte geçici olarak şişkinlik ve kabarcıklara yol açabileceğinden veya cildinizin rengini değiştirebileceğinden, KULLANMAYIN. Kullanım öncesinde hedeflenen işlem alanını iyice temizlediğinizden emin olun.
- Bu şekilde işlem yapmak ciltte geçici olarak şişkinlik ve kabarcıklara yol açabileceğinden veya cildinizin rengini değiştirebileceğinden, bir seans sırasında aynı işlem noktasına bir defadan çok ışık VERMEYİN.
- Herhangi bir alana haftada bir defadan fazla seans UYGULAMAYIN; çok sayıda seans uygulamanız sonuçları hızlandırmayacak, sadece cildiniz şişmesi, kabarması veya renginin değişmesi olasılığını artıracaktır.
- Açık yaralar, uçuklar, güneş yanıkları dahil olmak üzere hasarlı ciltlerde veya son 6-8 hafta içinde cilt peeling'i veya diğer türde bir cilt yenileme prosedürü uygulanmış ciltlerde KULLANMAYIN.
- Döküntüler ve kabarıklıklar dahil olmak üzere tahriş olmuş ciltlerde KULLANMAYIN. Bu tür koşullar cildi daha da hassas hale getirebilir. Kullanmadan önce, etkilenen alanın iyileşmesini bekleyin.
- Cildiniz ışığa karşı duyarlıysa KULLANMAYIN. i-LIGHT kullanıp kullanamayacağınızı belirlemek için, cildinizin küçük bir alanı üzerinde bir test işlemi gerçekleştirin ve daha kapsamlı işlemler gerçekleştirmeden önce herhangi bir olumsuz reaksiyon olup olmadığına karar vermek için 24 saat bekleyin.
- Hamileyseniz veya hamile olma olasılığınız varsa veya emziriyorsanız KULLANMAYIN. i-LIGHT hamile kadınlar üzerinde test edilmemiştir. Hamilelik veya emzirme sırasında hormonal değişiklikler yaygın görüldüğünden, cilt hassasiyeti ve cildin yaralanma riski artabilir.
- Işığı cildiniz dışında herhangi bir cisme karşı TUTMAYIN.
- i-LIGHT'ı tüyleri gidermekten başka bir amaçla KULLANMAYIN.
- Gelecekte tüylerin tekrar uzamasını isteyebileceğiniz herhangi bir alanda işlem YAPMAYIN. Sonuçlar kalıcı olabilir ve geri alınamaz.
- Uçuk geçmişsiniz varsa yüzünüzde kullanmayın; IPL kullanımı veya cildi tahriş eden herhangi bir işlem, uçukların tekrar nüksetmesine yol açabilir.
- Profesyonel, klinik veya kendi kendinize lazer veya IPL veya elektroliz tüy alma işlemi gerçekleştirdiyse, i-LIGHT kullanmadan önce en az 6 ay bekleyin. İşlem alanında tüylerinizi ağda, koparma veya epilasyon yöntemiyle aldıysanız, i-LIGHT kullanmadan önce en az 6 hafta bekleyin. Cihaz, tüyleri kökünden etkisiz hale getirmek için cildinizin altındaki tüylere işlem uyguladığından, tüylerin çekilerek alınması durumunda etkili olmayabilir.
- Silikon implantlar, kontraseptif doğum kontrol implantları, geçici kalp pilleri, subkütan enjeksiyon portları (insülin dispenseri) veya piercing gibi yapay maddelerin yanında, yakınında veya üzerinde kullanmayın.
- Çalışmalar sırasında bu cihazın kullanımıyla bağlantılı herhangi bir sorun bildirilmemiş olsa da, vücuda yerleştirilmiş aktif bir cihazın herhangi bir arıza veya kesintisini önlemek için, elektronik cihazların kullanımıyla ilgili tüm 'vücuda yerleştirilen aktif tıbbi cihaz uyarıları'na riayet edilmesi önerilir.
- Kablosuz iletişim ekipmanları i-LIGHT cihazını etkileyebileceğinden, cihazdan en az 3,3 m uzaklıkta tutulmalıdır.
- Metal dolgular, diş implantları ve diş telleri üzerindeki bölgelerde kullanmayın..

TEMEL ÖZELLİKLER (ŞEKİL 3)

- | | |
|------------------------------|------------------------------------|
| 1. Güç Anahtarı | 10. El Aksanı Kordonu |
| 2. Güç Girişi | 11. Flaş Penceresi |
| 3. Güç Modları | 12. Cilt Teması Sensörleri |
| 4. El Aksanı | 13. Vücut Uygulama Aparatı |
| 5. ✦ Güçlü Mod flaş düğmesi | 14. Yüz Uygulama Aparatı |
| 6. ✎ Hassas Mod flaş düğmesi | 15. Elektrik Kablosu |
| 7. ⚙ Hızlı Mod flaş düğmesi | 16. Tiftiksiz Bez |
| 8. LED Gösterge Lambaları | 17. Saklama Kesesi (Gösterilmiyor) |
| 9. Cilt Tonu Sensörü | |

BAŞLARKEN

Bu kullanma kılavuzunun ön ve arka sayfalarını dışarıya doğru katlayarak kılavuzu okurken şekillere bakabilirsiniz. i-LIGHT'ınızı kullanırken tüm yeni ürünlerde olduğu gibi sabırlı davranın; ürüne alışmanız biraz zaman alabilir. Yıllarca keyifle ve tam memnuniyetle kullanacağınıza inandığımız i-LIGHT'ınızı öğrenmek için kendinize zaman tanıyın.

i-LIGHT İLE TANIŞMA

i-LIGHT REVEAL nedir?

i-LIGHT sistemi, istenmeyen vücut tüylerini ve kadınlarda yüz bölgesi tüylerini evde gidermek için tasarlanmış, ışık bazlı, devrim niteliğinde bir cihazdır.

i-LIGHT, dermatologlar ve güzellik salonlarının profesyonel olarak kullandığı, kişisel bakım için optimize edilmiş ve klinik açıdan kanıtlanmış benzer teknolojileri kullanır.

Yoğun Atımlı Işık (Intense Pulse Light - IPL) nedir ve i-LIGHT nasıl çalışır?

Yoğun Atımlı Işık (IPL - Intense Pulsed Light), tüm dünyada 15 yıldan uzun süredir kullanılan, yerleşmiş bir teknolojidir. i-LIGHT bu teknolojiyi cildinize yoğun bir ışık atımı göndermek için kullanmaktadır.

Atımlar, cilt yüzeyinin altında tüylerin köklerini hedef alarak çalışır ve onların büyümesini durdurmaya yardımcı olurlar. (Şekil 4)

Işık atımındaki enerji, koyu renkleri hedef alır ve en iyi sonuçlar koyu renkli tüylerde görülürler.

i-LIGHT, açık, orta ve koyu renkli ciltlerde kullanıma uygundur (cilt renkleri I-V).

i-LIGHT ne beklenmeli

Sonuçlar, anında görülmez ve kişiden kişiye değişiklik gösterebilir. Çoğu kullanıcı uygulamaya başladıktan sonraki 1-2 hafta içinde azalan tüyleri fark etmeye başlayacaktır. Bu süre zarfında tüyler uzamaya devam etse de, aslında 'köklerinden zayıflamış' bir görünümde olacaktır (Şekil 5).

Tüyler 18-24 ay süren ve 3 farklı evreden oluşan bir döngü içinde uzarlar (Şekil 6). Uygulamaya sadece aktif uzama evresinde olan tüyler uygundur; bu nedenle optimal sonuçlar almak için birden fazla uygulama yapılması gerekir. Aktif durumdaki her tüye işlem yapılmasını sağlamak için, tam uygulama programına ve tamamlayıcı/destek uygulamalara devam etmek önemlidir.

Uygulama Programı

Tam uygulama programı, her iki haftada bir gerçekleştirilecek şekilde üç uygulamadan oluşur. Sonuçlar kişiden kişiye farklılık gösterebileceğinden, optimal sonuçlar almak için birden fazla sayıda uygulama yapılması gerekebilir. Bu sürede tüyler, orijinal tüylerden daha seyrek, daha zayıf ve daha açık renkte büyüyecektir. Bu şekilde tekrar eden bir büyüme tamamen normaldir ve zaten beklenmektedir. Başlangıçtaki tam uygulama programını tamamladıktan sonra, her dört haftada bir kez tamamlayıcı/destek uygulamaların yapılması daha da iyi sonuçlar sağlayacaktır. Dört haftada bir sürekli düzenli kullanım, 8-12 hafta içinde iyi sonuçlar verecektir (cilt rengi koyulaştıkça süre uzayabilir). Cihazı her iki haftada bir, bir defadan fazla kullanmayın. NOT: Verimlilik yerine cildin tahriş olma riskini artıracığından, bir uygulama esnasında aynı alana birden çok kez işlem yapmaktan kaçınmalısınız.

TR

i-LIGHT CİHAZINIZIN ÖZELLİKLERİNİ ÖĞRENİN

Yerleşik UV filtreli Flaş Penceresi (Şekil 7)

UYARI: Lenste herhangi bir hasar olmadığından emin olmak için, kullanmadan önce Flaş Penceresi'ni mutlaka inceleyin.

UYARI: Lens üzerinde herhangi bir yağ veya kir kalıntısı olmadığından emin olmak için, kullanmadan önce Flaş Penceresi'ni tiftiksiz bir bezle mutlaka temizleyin.

Cilt Teması Sensörü (Şekil 8)

Bu güvenlik mekanizması kazara oluşabilecek ışık çakmalarını önler. Cihazın ışığı, her iki Cilt Teması Sensörü de cilde tam temas etmediği takdirde yanmayacaktır.

Güçlü Mod, Hassas Mod ve Hızlı Mod (Şekil 9)

Güçlü Mod, Hassas Mod ve Hızlı Mod düğmeleri, cihazın el aksamındadır.

TÜRKÇE

Cilt Rengi Test Edici (Şekil 10)

Sadece uygun cilt tonlarında kullanılabilir.

Aparatlar:

Boynunuzdan daha aşağı bölgeler için Vücut Uygulama Aparatı (Şekil 11)

Kadınların yanak, favori, çene, boyun ve dudak üstü bölgesi gibi daha dar bölgeler için Hassas Uygulama Aparatı (Şekil 12)

Aparatların Cihazdan Çıkarılması (Şekil 13)

Aparatları şekilde gösterildiği gibi tutun ve uygulama aparatını çıkarmak için dışarı doğru çekin. Aparatı değiştirirken, uygulama aparatını yerine tam oturtmak için mıknatıslar size yardımcı olacaktır.

KULLANIMA HAZIRLAMA

CILDINIZI İŞLEME HAZIRLAYIN

- İşlem yapılacak alanın temiz ve yağ, deodorant, parfüm, makyaj, losyon ve kremlerden arındırılmış olmasını sağlayın. İşlem yapılacak alandaki tüyleri tıraş edin veya kesin ve cildin temiz ve kuru olmasını sağlayın.
- Yüzde kullanım için önce tüyleri kısaltmak isteyebilirsiniz. Bu gibi bir durumda tüyler 0,5 mm'den kısa olacak şekilde düzeltilmelidir.
- Tüylerin çekilmiş olduğu durumlarda IPL etkili olmadığından, tüyleri kökünden çıkaran ağda, epilasyon, cımbız veya diğer yöntemleri hiçbir zaman kullanmayın.

i-LIGHT'İ KULLANIMA HAZIRLAMAK

- Elektrik kablosunu elektrik prizine bağlayın.

CİLT TONUNUZU KONTROL EDİN

- Cilt renginizin bu cihazı kullanmaya uygun olup olmadığını belirlemek için uygulama yapmak istediğiniz bölgeyi, bu kılavuzun ön sayfasında yer alan Cilt Rengi Tablosu'ndaki (Skin Tone Chart) renklerle karşılaştırın. (Şekil 1)
- Cilt renginizin, Cilt Rengi Tablosu'ndaki (Skin Tone I-V) açık, orta ya da koyu tondaki renklerden biriyle eşleşmesi durumunda i-LIGHT cihazını kullanabilirsiniz.
- Cilt renginiz tablodaki en koyu cilt rengiyle (Cilt Rengi VI - Skin Tone VI) eşleşiyorsa lütfen cihazı KULLANMAYIN.
- i-LIGHT, uygulama cihazında yerleşik CİLT RENGİ TEST EDİCİ'ye sahiptir. Bu özellik, uygulama için çok koyu olan ciltlerde zararlı ışımayı engellemek amacıyla tasarlanmıştır.
- Cilt renginiz, uygulama için uygun olduğu takdirde i-LIGHT, yanıp sönecek ve el aksamının her iki yanındaki LED ışıkları beyaz renkte yanacaktır. Yanan ışıkların sayısı, Cilt Renginizi gösterir.
- Cildiniz uygulama için koyu renkteyse, cihaz daha düşük güçte parlayacak ve duyabileceğiniz şekilde 4 kez uyarı sesi verecektir. Ayrıca el aksamının iki yanındaki LED ışıkları kırmızı yanacaktır.
- Cilt Rengi Tablosu'na (Şekil 1) göre cilt renginizin cihazı kullanmaya uygun olduğunu düşünüyorsanız, ancak cihaz yanıp sönüyor ve duyabileceğiniz şekilde uyarı sesi veriyorsa, lütfen farklı bir uygulama alanı deneyin.

i-LIGHT CİHAZINI CILDINIZDE TEST EDİN

i-LIGHT cihazını küçük bir deri bölgesi üzerinde test edin ve herhangi bir ters reaksiyon olmadığından emin olmak için 48 saat bekleyin.

- i-LIGHT el parçasını, Işık Penceresi cilt yüzeyi ile aynı hizada olacak şekilde cildinize karşı yerleştirin.
- Cilt Teması Sensörleri'nin tamamen cildinizle temas ettiğinden ve LED ışıklarının beyaz yandığından lütfen emin olun.
- Tercih ettiğiniz uygulama modunu seçin ve ışımayı başlatmak için düğmeye basın.
İPUCU: Cildinizde az seviyeden orta seviyeye kadar bir rahatsızlık hissedebilirsiniz. Güçlü Mod'a geçmeden önce cildinize Hassas Mod'u uygulamaya başlamayı tercih edebilirsiniz.
- 24 saat bekleyin ve sonra test alanına bakın. Cilt normal görünüyorsa, ilk tam seansınızı, kendiniz için uygun olduğunu saptadığınız bu enerji seviyesinde gerçekleştirin.
NOT: Cihazı, vücudun işlem yapmak istediğiniz her alanında test etmelisiniz.

UYGULAMA MODUNU SEÇME

- Uygulama başlığında yer alan entegre CİLT RENGİ TEST EDİCİ, cihaz hafızasına kayıtlı cilt rengine bağlı olarak uygun güç seviyesini ayarlar.
- i-LIGHT'in 3 farklı uygulama modu bulunur: Güçlü Mod (Tam Güç), Hassas Mod ve Hızlı Mod. Cihaz açıldığında Güçlü Mod'da başlar. Güçlü ve Hassas Modlarda cihaz yaklaşık her 3 saniyede ışımaya yaparken Hızlı Mod'da 1 saniyeden daha kısa sürede ışımaya yapar.

Güçlü Mod ✨

Güçlü Mod (Tam Güç), sizin için en uygun olan en yüksek güç seviyesini sağlayacaktır. Bu mod, hem geniş hem de dar bölgelerde uygulama için idealdir ve daha iyi sonuçlar verir. Güçlü Mod, daha az uygulama ile en iyi tüy temizleme olanağını sağlar. Ancak bu mod, cildinize rahatsızlık verebilir.

Hassas Modu 🍃

Hassas Modu, Güçlü Mod'dan rahatsızlık duyduğunuzda kullanmanız idealdir. Güçlü Mod'dan rahatsızlık duyacak kadar hassas cilde sahipseniz, ancak yine de istenmeyen tüylerinizi temizlemek istiyorsanız, daha az güç uygulayan Hassas Mod'u kullanabilirsiniz. İsteddiğiniz sonucu elde etmek istiyorsanız, bu modu daha sık kullanmanız gerekebilir.

Hızlı Mod ⚡

Hızlı Mod, kullanıcıların uygulamayı yaparken zaman kaybetmesini önler. Bu modla, daha geniş bölgeleri daha hızlı şekilde temizleyebilirsiniz. Ancak bu mod, daha az etki gösterebilir ve istenilen sonucu elde etmek için uygulamayı daha sık yapmanız gerekebilir.

NOT: Cihaz her açıldığında otomatik olarak Güçlü Mod'da (Tam Güç) başlar.

- Modu değiştirmek isterseniz, modun ışığı yanana kadar mod düğmesine basın.
- Cildinize uygulamak istediğiniz moda karar verip seçtiğinizde, flaş penceresini nazikçe vücudunuza yerleştirin.
- Cihaz ilk ışığa için hazırdır. Hassas Mod'u ya da Hızlı Mod'u değiştirmek istiyorsanız, seçili düğmeye yeniden basın. Cihaz, Güçlü Mod'a yeniden geçecek ve yalnızca Flaş Düğmesi yanacaktır.

İŞLEM (SEANS)**APARATLARI DEĞİŞTİRME**

- i-LIGHT, iki farklı Uygulama Aparatı içerir.
- Vücut Uygulama Aparatı vücut tüyleri gibi daha geniş bölgelerde kullanılır.
- Hassas Uygulama Aparatı ise kadınların yüz, koltuk altı ve bikini bölgesi gibi daha küçük bölgelerde kullanılmak üzere tasarlanmıştır.

Aparatları değiştirmek için:

UYARI: Uygulama Aparatlarını çıkarmadan önce lütfen, cihazın KAPALI olduğundan ve güç kablosunun prize takılı olmadığından emin olun.

- Uygulama Aparatını değiştirmeden önce cihazın soğuması için 5 dakika kadar bekleyin.
 - 1. Uygulama Aparatını değiştirmeden önce cihazın soğuması için 5 dakika kadar bekleyin.
 - 2. Güç düğmesini OFF (KAPALI) konumuna getirin ve elektrik kablosunun fişini elektrik prizinden çekin.
 - 3. Cihazı bir elinizle tutun ve diğer elinizle Uygulama Aparatını nazikçe çekin (Şekil 13)
- NOT: Uygulama Aparatları, cihaza mıknatıslar yardımıyla takılır. Bu nedenle aparatların çıkarılması kolaydır.
- İPUCU: Kullanmadığınız Uygulama Aparatını güvenli bir yerde (örneğin cihaz kutusunda) saklayın. Flaş penceresine ve diğer parçalara zarar vermemeye dikkat edin.
- 4. Diğer Uygulama Aparatını cihaza tam oturması için ileriye doğru nazikçe itin.

Uygulama yöntemi:

1. Işık Penceresi'ni cilde karşı sıkıca yerleştirin - Cilt Temas Sensörleri'nin tam olarak devreye girdiğinden emin olun. Cilt Teması Sensörleri, cildinizle tam olarak temas ettiğinde, cihazdaki flaş düğmesi beyaz yanıp sönecek ve el aksamının her iki yanındaki LED ışıklar, cihazın ışımaya hazır olduğunu gösterecek şekilde yanacaktır.
- NOT: Cilt Teması Sensörleri cihazla tam temas ETMİYORSA, Flaş Düğmesi'ne bastığınızda cihaz çalışmayacak ve "uyarı" verecektir. Cilt Teması Sensörlerinin, ciltle tamamen temas edip etmediğini lütfen iki kez kontrol edin.
2. Işık vermek için Işık Düğmesine basın. (Bir fotoğraf makinesinin flaşına benzer şekilde) aniden yanıp sönen parlak bir ışık huzmesi göreceksiniz ve hafif bir sıcaklık hissi duyacaksınız.
 3. Bir sonraki alana geçin ve uygulama alanının tam olarak kapsanmasını sağlamak için, ızgara desenine benzer şekilde işlem yapın.
- Tek Işık Modu'nda, bir sonraki alana her geçişinizde Işık Düğmesi'ne (Flash Button) basın.
 - Çoklu Işık Modu'nda, parmağınızı Işık Düğmesi'nin üzerinde basılı halde tutun ve Cilt Temas Sensörleri'nin tam olarak devrede olduğundan emin olarak, cihazı bir sonraki alana kaydırın. Bir sonraki ışık huzmesi 3 saniye sonra otomatik olarak verilecektir (Tam Güç Modu'nda).



TÜRKÇE

- Çoklu Işık Modu'ndayken Işık Düğmesi'nin sönmeye veya ciltle tam temasın kaybolmasına izin verirsiniz, yukarıdaki adımları tekrarlayarak uygulamaya kaldığınız yerden devam edin.

Yüzde Uygulama (sadece bayanların kullanımı için)

Yüzdeki tüyler vücut tüylerinden çok farklı olabilir. Yüzdeki deri genellikle daha hassastır ve güneşin ışınlarına daha fazla maruz kalır; bu nedenle yüzdeki istenmeyen tüylere yapılacak bir uygulama, vücut tüyelerine yapılacak bir uygulamadan farklı olacaktır – yüz bölgesinde herhangi bir işleme başlamadan önce, lütfen Uyarılar ve Güvenlik Önlemleri bölümünü dikkatle okuyun.

ÖNEMLİ: Hassas Uygulama Aparatı, kadın yüzündeki tüylerin benzersiz karakteristiğine uygulanmak üzere özel tasarlanmıştır. Vücut Uygulama Aparatı'nı yüzünüzde KULLANMAYIN. Daha fazla bilgi edinmek için 'Aparatları Değiştirme' bölümüne göz atın.

Hassas Uygulama Aparatı, yalnızca kadınların yanak, favori, çene, boyun bölgesi ve dudak üstü tüyleri için uygundur (Şekil 2). Sonuçlar, yüz karakteristiğinde istenmeyebilecek değişiklikler oluşturarak kalıcı veya düzensiz olabileceğinden, erkek sakallarında veya yüz tüylerinde KULLANMAYIN.

İŞLEM İPUÇLARI

Vücutta Uygulama

- Daha iyi sonuç almak için, flaşların üst üste çıkmasını önleyin. Bu, tüy gelişimini baskılamak için gerekli miktardan daha fazla enerjiye maruz kalmayı önler.
- Aynı zamanda Ampul'den maksimum şekilde yararlanmanızı da sağlar.
- En etkili sonucu almak için, her zaman ciltte rahatsızlığa yol açmayacak en yüksek yoğunluk seviyesini kullanın. Kullandığınız seviye cildiniz tarafından ılık olarak hissedilmeli, ancak kesinlikle rahatsızlık hissi vermemelidir.
- Dirsekler, kaval kemiği ve ayak bilekleri gibi kemikli alanların, işlem sırasında daha hassas olduklarını fark etmiş olabilirsiniz. Bu normaldir ve bir alarm nedeni değildir. Bu hassasiyeti önlemek için, işlem sırasında cildi kemikli alandan dışarı doğru germeye çalışın.

Yüzde Uygulama

- Cildin bir Bölümü üzerinde Test – Yüz tüyleri daha hassas olabildiğinden, işlem yapmaya geçmeden önce küçük bir bölüm üzerinde test yapmalısınız. Daha fazla bilgi için 'i-LIGHT'ı cildinizde test edin' bölümüne başvurun.
- Uygulamalarınızda Size Yol Göstermesi İçin Bir Ayna Kullanın – İşlem yapılacak alanın iyi bir görüntüsünü elde etmek ve dudaklara veya diğer koyu cilt lekelerine işlem yapmaktan kaçınmanıza yardımcı olması için bir ayna kullanın. Yansıyan ışık sizi rahatsız ediyorsa, her ışık huzmesinden önce gözlerinizi kapatabilirsiniz.
- Daha İyi Temas Etmesi İçin Cildi Gerin – Cildin kıvrımları, cilt temas sensörlerinin belirli alanlarda tam bastırılmasını güçleştirebilir. Cildin daha iyi temas etmesini sağlamak için, üst dudagınızı dişlerinize kavramayı veya yanaklarınızı dilinizle germeyi deneyebilirsiniz.

İŞLEM SONRASI BAKIM

İşlemden sonra, cildinizde hafif bir kızarıklık veya ılık bir hassasiyet hissedebilirsiniz. Bu normaldir ve hızla kaybolacaktır. Bir işlem sonrasında cildinizde tahriş olmasını önlemek için, aşağıdaki tedbirleri alın:

- Bir işlem sonrasında 24 saat boyunca güneşe maruz kalmayın. Her işlemden sonra cildi SPF 30 ile 2 hafta koruyun.
- Son işlemden itibaren en az 2 hafta boyunca, güneş banyosu, solaryum veya kendiliğinden bronzlaşma gibi yöntemlerle güneşe maruziyetinizi sürdürmeyin.
- İşlem sonrasında, alanı temiz ve kuru tutun.
- Cildinizdeki kızarıklık ya da hassaslık geçene kadar lütfen sıcak suyla duş almayın ya da buhar odasına ve saunaya girmeyin.
- İşlem sırasında tüyleri gidermeye (ağda, yolma, ipe alma veya kremler) çalışmayın – her işlemden sonra 24 saat boyunca tıraştan kaçındığınız sürece, tıraş etme kabul edilebilir.
- İşlemden sonra 24 saat boyunca beyazlatıcı kremler veya parfümlü ürünler kullanmayın.

300.000 FLAŞ AMPULÜ

- Ampul, yaşam süresi boyunca 300.000 kez yanıp sönebilir.
- Bu cihazda bulunan ampulün, bu ürünle birlikte verilen garanti kartında bildirilen tüm garanti süresi boyunca çalışmaya devam etmesi garanti altına alınmıştır.
- Penceredeki ampul, kullanım ömrünün %99'unu tamamladığında, el aksamının iki yanındaki LED'lerden biri, cihaz açıldığında kırmızı yanacaktır.
- Ampul kullanım ömrünü tamamladığında, cihazı kullanamazsınız..

i-LIGHT CİHAZINIZI TEMİZLEME

◆ **DİKKAT: i-LIGHT temizlemeden önce, cihazın kapalı konumda (OFF) ve şarj kablosunun cihazdan çıkarılmış olmasına dikkat edin.**

Düzenli temizlik optimal sonuçlar sağlar ve cihazın kullanım ömrünü uzatır.

- Işık Penceresi'ni temizlemek için sadece i-LIGHT cihazınızla birlikte verilen ve tüy bırakmayan bezi kullanın. Işık Penceresi'ni çizmemeye veya üzerinde çentikler oluşturmamaya özen gösterin. Çizikler ve çentikler ünitenin verimliliğini düşürebilir.
- Işık Penceresi'nin üzerindeki inatçı lekeler için pamuklu bir kulak temizleme çubuğunu ispirto veya alkol ile nemlendirin; ışık penceresine uygulayın ve ürünle birlikte verilen ve tüy bırakmayan bezle nazikçe temizleyin.
 - ◆ **UYARI:** Flaş Pencere çizilmiş veya kırılmışsa, ünite kullanılmamalıdır. İşlem Başlığı'nın iç kısmındaki filtre camını veya metalik yüzeyi kesinlikle çizmeyin.
 - ◆ **DİKKAT:** i-LIGHT yüksek gerilimle çalışan bir cihazdır. Kesinlikle suya daldırmayın. Üniteyi veya onun herhangi bir parçasını, hiçbir zaman akan suyun altında veya bulaşık makinesinde yıkamayın.

Saklama

Üniteyi kapatın, fişini prizden çekin ve saklamadan önce en az 10 dakika soğumasını bekleyin.

SORUN GİDERME

- i-LIGHT'ı kullanmadan önce, bu talimatları mutlaka tam olarak okuyun.
- i-LIGHT ile herhangi bir sorun yaşıyorsanız, i-LIGHT ile karşılaşılabileceğiniz en sık görülen sorunları ele alan bölüm olarak bu sorun giderme kılavuzuna başvurun. Bu bölümde verilen talimatları izlemenize rağmen sorunu yaşamaya devam ediyorsanız, daha fazla destek için lütfen Remington® Servis Merkezi ile irtibata geçin.

Güç anahtarı ON (AÇIK) konumunda, ancak ünite çalışmıyor.

- Ünitenin fişinin, çalışan bir elektrik prizine takıldığından emin olun.
- Farklı bir priz kullanmayı deneyin.

Ünitede çatlaklar veya kırıklar var.

- Ünite hasarlıysa kullanmayın. Şayet ünitenin kullanımına ilişkin endişeleriniz varsa, kullanımı durdurun ve yardım için Remington® Servis Merkezi ile irtibat kurun.

Cihazı AÇIK konuma getirmeme rağmen modu değiştiremiyorum.

- Ürünü kapatarak ve yeniden açmadan önce birkaç saniye bekleyerek sıfırlamayı deneyin.

Tuhaf bir koku var.

- İşlem öncesinde alanın tamamen tıraş edildiğinden emin olun.

İşlem gören alanlar, işlem sonrasında kırmızı renk oluyor.

- Bu durum normaldir. Kızarıklık geçmesi gerekir. Kızarıklıklar geçmezse, Hassas Mod'u kullanmayı deneyin. NOT: i-LIGHT'in çok ısınması durumunda cihaz bekleme moduna geçecektir. Bekleme modunda, el aksamının iki yanındaki 5 LED birbiri ardına yanıp sönmeye başlar. Birkaç dakika bekleyerek el aksamının soğumasını sağlayın. Cihazı kapatmanıza gerek yoktur, cihaz kullanıma yeniden hazır olduğunda LED ışıkları sönecektir.

TÜRKÇE

SIK SORULAN SORULAR

- Tüm SSS listesini incelemek için, lütfen ziyaret edin: www.remington-ilight.com
- S. i-LIGHT ile vücudumun hangi bölgelerinde işlem yapabilirim?
- C. i-LIGHT; bacaklar, kol altları, bikini hattı, kollar, göğüs ve sırt dahil olmak üzere boynun altındaki bölgelerde üniseks kullanım için tasarlanmıştır. Bayanlar ürünü elmacık kemiklerinin altındaki yüz tüyleri için de kullanabilirler.
- S. i-LIGHT'ın kullanımına ilişkin riskler nelerdir? Ürün güvenli midir?
- C. i-LIGHT'ın güvenli ve etkili olduğu kanıtlanmıştır. Ancak her elektronik cihaz gibi, kullanım kılavuzunu ve güvenliğinizi ilgili uyarıları dikkatle okuyup talimatları uygulamanız gereklidir.
- S. Uzun süreli kullanımdan sonra, IPL cilt için tehlikeli midir?
- C. Uzun süreli Yoğun Darbeli Işık (IPL) kullanımından doğan herhangi bir yan etki veya cilt hasarı durumu bildirilmemiştir
- S. Uygulamalara rağmen tüylerim neden hâlâ uzuyor?
- C. Sonuçlar, anında görülmez ve kişiden kişiye değişiklik gösterebilir. Çoğu kullanıcı uygulamaya başladıktan sonraki 1-2 hafta içinde azalan tüyleri fark etmeye başlayacaktır. Bu süre zarfında tüyler uzamaya devam etse de, aslında 'köklerinden zayıflamış' bir görünümde olacaktır. Tüyler 18-24 ay süren ve 3 farklı evreden oluşan bir döngü içinde uzarlar. Uygulamaya, sadece aktif uzama evresinde olan tüyler uygundur; bu nedenle optimal sonuçlar almak için birden fazla uygulama yapılması gerekir. Tüylerin sürekli uzamasının bir diğer nedeni, bir uygulama sırasında bu alanın gözden kaçırılması olabilir. Yeniden uzamayı fark ettiğinizde uygulama programını tekrarlayın.
- S. Güneşe maruz kaldıktan hemen sonra i-LIGHT'ı neden kullanamıyorum?
- C. Güneş ışınlarına maruz kalmak, yüksek seviyede melanin oluşumuna ve uygulamanın ardından cildin daha yüksek seviyede yanık veya kabarcıklanma riski taşımaya neden olur.
- S. i-LIGHT'ı kullanırken gözlerimi korumama gerek var mı?
- C. Hayır; gözlerle zararlı değildir. i-LIGHT, cihazın ciltle temas etmediği anlarda istenmeyen yanıp sönmeleri önleyen bir güvenlik sistemi içerir. Uygulama sırasında yayılan az miktardaki ışık, bir fotoğraf makinesinin flaşına benzer ve gözler için zararlı değildir. Uygulama Aparatları ışık sızmasını engellemek amacıyla özel tasarlanmıştır. Yansıyan ışık sizi rahatsız ediyorsa, her ışık huzmesinden önce gözlerinizi kapatabilirsiniz.

GERİ DÖNÜŞÜM



Tehlikeli maddelerin yol açacağı çevre ve sağlık sorunlarını önlemek için, şu sembollerden biri ile işaretlenmiş cihazlar ve şarj edilebilir ve tek kullanımlık piller genel evsel atıklarla birlikte çöpe atılmamalıdır. Elektrikli ve elektronik ürünleri ve ilgili olabilecek şarj edilebilir ve tek kullanımlık pilleri her zaman resmi, uygun bir geri dönüşüm/toplama noktasına bırakın.

Vă mulțumim că ați achiziționat noul dvs. produs Remington®. Înainte de utilizare, citiți cu atenție aceste instrucțiuni și păstrați-le într-un loc sigur. Îndepărtați toate ambalajele înainte de folosire.

MĂSURI DE PROTECȚIE IMPORTANTE

- Este interzisă utilizarea acestui aparat de persoane sub 18 ani sau de persoane cu abilități fizice, senzoriale sau mentale reduse, ori fără experiență și cunoștințe, cu excepția cazului în care acestea au fost supravegheate/instruite în prealabil și înțeleg pericolele pe care le implică utilizarea lui. Este interzisă joaca copiilor cu acest aparat. Operațiunile de curățare și întreținere nu trebuie efectuate de persoane sub 18 ani.
- Aparatul și cablul nu trebuie lăsate la îndemâna copiilor sub 8 ani.
- Nu utilizați produsul în cazul în care cablul este deteriorat. Puteți obține un cablu nou prin intermediul Centrelor noastre internaționale de service.
- ⊘ Unitatea principală a acestui aparat nu este lavabilă sau rezistentă la apă. Nu introduceți aparatul în lichid; nu îl utilizați lângă apă, în cadă, chiuvetă sau orice alt vas; nu îl utilizați afară.
- Acest produs poate emite radiații optice posibil periculoase. Nu priviți sursa de lumină. Aceasta poate fi dăunătoare pentru ochi.
- Folosiți acest aparat doar în scopurile destinate, descrise în acest manual.
- Nu folosiți aparatul dacă este deteriorat sau prezintă defecte.
- Nu lăsați aparatul nesupravegheat în timp ce este conectat la rețeaua de curent.
- Ștecherul și cablul nu trebuie lăsate aproape de suprafețe încălzite.
- Nu folosiți alte accesorii decât cele furnizate de noi.
- Nu întoarceți sau nu înnodeați cablul, și nu îl înfășurați în jurul aparatului.
- Nu conectați sau deconectați aparatul de la priză dacă aveți mâinile ude.
- Acest aparat nu este destinat utilizării comerciale sau în saloane de coafură.

Înainte de a începe să utilizați i-LIGHT:

Asigurați-vă că ați citit Atenționările și informațiile de siguranță. Înainte de a începe, verificați dacă i-LIGHT este potrivit pentru dvs.

Pentru a vedea dacă dispozitivul este potrivit pentru dvs., folosiți schema tipurilor de ten și de păr pe care o găsiți la începutul acestui manual împreună cu senzorul de ten prevăzut (Fig. 1).

AVERTISMENT: Dispozitivul i-LIGHT nu este potrivit pentru tenul foarte închis sau de culoare. Dispozitivul i-LIGHT nu este eficient pe părul alb sau cărunț și este mai puțin eficient pe părul blond și roșcat.

Pentru uz facial: Potrivit doar utilizării pe părul facial al femeilor de pe obraji, perciuni, bărbie, gât și deasupra buzelor (Fig. 2).

A NU se folosi pe ochi, sprâncene sau gene. Riscați să vă răniți grav și permanent ochii.

Tipul de ten

- A nu se utiliza pe un ten închis natural; riscați să cauzați arsuri, bășici și modificări ale culorii pielii.
- A nu se utiliza pe pielea bronzată sau după expunerea recentă la soare; riscați să cauzați arsuri și răni pe piele.
- i-LIGHT nu este eficient pe părul facial sau de pe corp alb, cărunț, blond sau roșcat.

Zone ce nu trebuie tratate:

- A nu se utiliza pe scalp sau urechi.
- A nu se utiliza la bărbați, pe față sau gât.
- A nu se utiliza deasupra pomeților (la femei).
- A nu se utiliza pe sfârcuri, areole mamare sau organele genitale.
- A nu se utiliza dacă aveți tatuaje sau machiaj permanent în zona ce trebuie tratată.
- A nu se utiliza pe petele de culoare maro închis sau negre precum alunițe, semne de naștere sau pistrii.
- A nu se utiliza în zone operate recent, decojite, tratate cu laser, cicatrici sau pielea care a fost arsă sau opărită



ROMANIA

Când nu trebuie folosit/Când trebuie evitată utilizarea i-LIGHT

- A NU se utiliza dacă aveți pielea bronzată în zonele pe care doriți să le tratați, deoarece pielea dvs. ar putea fi prea închisă la culoare, iar tratarea zonelor bronzate ar putea cauza temporar umflarea pielii, bășici sau v-ar putea modifica culoarea pielii. Așteptați până când trece bronzul înainte de a începe tratamentul.
- A NU se utiliza pe pielea pe care au fost aplicate produse cosmetice, deoarece tratarea zonelor respective ar putea cauza temporar umflarea pielii, bășici sau v-ar putea modifica culoarea pielii. Asigurați-vă că ați curățat bine zona pe care doriți să o tratați înainte de utilizarea dispozitivului.
- NU aplicați lumină pe același punct pe care doriți să-l tratați de mai multe ori în timpul aceleiași sesiuni, deoarece aceasta ar putea cauza temporar umflarea pielii, bășici sau v-ar putea modifica culoarea pielii.
- NU tratați nicio zonă mai mult de o dată pe săptămână, deoarece acest lucru nu va grăbi rezultatele, ci va crește probabilitatea apariției umflăturilor, bășicilor sau modificării culorii pielii.
- A NU se utiliza pe pielea deteriorată, inclusiv pe răni deschise, leziuni herpetice, arsuri de soare sau zone în care v-ați exfoliat pielea sau ați suportat alte proceduri de refacere a pielii în ultimele 6-8 săptămâni.
- A NU se utiliza pe pielea iritată, inclusiv pe erupții sau pe pielea umflată. Aceste condiții v-ar putea face pielea mai sensibilă. Așteptați până când zona afectată se vindecă înainte de a utiliza dispozitivul.
- NU utilizați dacă pielea dvs. este sensibilă la lumină. Pentru a stabili dacă puteți folosi i-LIGHT, testați-l pe o porțiune mică de piele și așteptați 24 de ore pentru a vedea dacă apar reacții adverse înainte de a trata zone mai ample.
- NU utilizați dacă sunteți sau ați putea fi însărcinată sau dacă alăptați. i-LIGHT nu a fost testat pe femei gravide. Schimbările hormonale sunt obișnuite în timpul sarcinii sau alăptării și ar putea crește sensibilitatea pielii și riscul de rănire a pielii.
- A NU se folosi pe orice alt material în afară de piele.
- NU folosiți i-LIGHT în niciun alt scop în afara îndepărtării părului.
- NU tratați nicio zonă în care doriți să vă crească iar părul. Rezultatele s-ar putea să fie permanente și ireversibile
- A nu se utiliza pe față dacă aveți antecedente de leziuni hepatice; utilizarea sistemului IPL sau a oricărui tratament care irită pielea poate duce la recidivarea leziunilor hepatice.
- Dacă ați urmat un tratament de îndepărtare a părului cu laser sau IPL sau electroliți, profesional, clinic sau auto-administrat, așteptați cel puțin 6 luni înainte de a utiliza i-LIGHT. Dacă v-ați epilat cu ceară, pensat sau epilat părul din zonele de tratament, așteptați cel puțin 6 săptămâni înainte de a utiliza i-LIGHT. Dispozitivul utilizează firele de pr de sub pielea dvs. pentru a dezactiva părul de la rădăcină, prin urmare nu este eficient dacă părul a fost pensat.
- A nu se utiliza pe sau în apropierea vreunui element artificial precum implanturile de silicon, implanturi contraceptive Implanon, stimuloare cardiace, porturi pentru injecții subcutanate (dozator de insulină) sau piercinguri.
- Cu toate că, în timpul studiilor, nu au fost raportate probleme asociate cu utilizarea acestui dispozitiv, vă recomandăm să observați toate atenționările dispozitivelor medicale implantabile active privind utilizarea dispozitivelor electronice, pentru a preveni orice defectare sau întrerupere a unui dispozitiv implantabil activ.
- Echipamentele de comunicații fără fir ar putea afecta dispozitivul i-LIGHT și trebuie ținute la cel puțin 3,3 m distanță.
- Nu utilizați peste sau langa proteze metalice, implanturi dentale sau alte operații.

CARACTERISTICI DE BAZĂ (FIG. 3)

- | | |
|----------------------------------|------------------------------------------------|
| 1. Buton de pornire | 10. Cablu aplicator manual |
| 2. Mufa de alimentare | 11. Fereastră Flash |
| 3. Pachet Putere | 12. Senzori de contact cu pielea |
| 4. Aplicator manual | 13. Cap de Tratament Corporal |
| 5. ✨ Mod Putere Mode buton flash | 14. Cap de Tratament Facial |
| 6. ✂ Mod Sensibil buton flash | 15. Cablu de alimentare |
| 7. ⚡ Mod Expres buton flash | 16. Cârpă care nu lasă scame |
| 8. Becuri LED indicatoare | 17. Geantă de Depozitare (Nu Apare în Imagine) |
| 9. Senzor tip de piele | |

INTRODUCERE

Depliați coperta frontală și cea din spate a acestui manual de instrucțiuni pentru a putea consulta graficele în timp ce citiți.

Fiți răbdătoare când utilizați pentru prima oară dispozitivul dvs. i-LIGHT; fiind un produs nou, este posibil să vă ia puțin timp să vă familiarizați cu el. Acordați puțin timp pentru a studia noul dvs. dispozitiv i-LIGHT; suntem convinși că veți fi răsplătită cu ani mulți de utilizare plăcută și satisfacție completă.

PREZENTAREA DISPOZITIVULUI i-LIGHT

Ce este i-LIGHT?

Sistemul i-LIGHT este un dispozitiv revoluționar pe bază de lumină, pentru femei, destinat îndepărtării la domiciliu a părului nedorit de pe corp și față.

i-LIGHT folosește o tehnologie testată clinic, similară cu cea folosită de dermatologii profesioniști și în saloanele de înfrumusețare, optimizată pentru tratamentul personal.

Ce este Lumina intens pulsată (IPL) și cum funcționează i-LIGHT?

IPL - (Intense Pulsed Light - Lumina intens pulsată) este o tehnologie bine stabilită, folosită în întreaga lume de peste 15 ani. i-LIGHT utilizează această tehnologie pentru a trimite pe pielea dvs. o lumină intens pulsată.

Impulsul acționează sub suprafața pielii pentru a trata firele de păr de la rădăcină, ajutând la stoparea creșterii acestora. (Fig. 4)

Energia impulsului de lumină are ca țintă culoarea mai închisă, iar cele mai bune rezultate sunt observate pe părul mai închis la culoare.

Dispozitivul i-LIGHT este destinat utilizării pe nuanțele de piele deschise, medii și închise (nuanțele de piele I-V).

Ce să așteptați de la i-LIGHT

Rezultatele nu sunt imediate, iar rezultatele individuale diferă. Majoritatea utilizatorilor vor începe să observe rezultatele la 1 săptămână sau 2 săptămâni de la inițierea tratamentului. În acest timp, este posibil să aveți impresia că părul încă crește, însă, de fapt, acesta este „împins în afară” (Fig. 5).

Părul crește într-un ciclu de 3 faze diferite care durează 18-24 luni (Fig. 6). Doar firele de păr din faza de creștere activă trebuie tratate, acesta fiind motivul pentru care sunt necesare mai multe tratamente pentru a se obține rezultate optime. Este important să continuați regimul complet de tratament pentru a vă asigura că fiecare fir de păr activ este tratat.

Regim de tratament

Un tratament complet este reprezentat de o ședință la fiecare două săptămâni, repetată de trei ori. Rezultatele individuale pot varia, prin urmare este posibil să fie necesare mai multe tratamente pentru rezultate optime. Veți observa că unele fire de păr care vor crește ulterior vor fi mai puțin dense, mai fine și mai deschise la culoare decât părul original. Această creștere ulterioară este normală și trebuie să vă așteptați la ea. După finalizarea tratamentului complet inițial, tratamentele suplimentare efectuate o dată la fiecare patru săptămâni vor conferi rezultate și mai bune. Tratamentul continuu regulat la fiecare patru săptămâni va conferi rezultate bune după 8 - 12 săptămâni (mai mult, pentru persoanele cu nuanțe de piele mai închise). Nu folosiți mai mult de o dată la fiecare două săptămâni. NOTĂ: Trebuie să evitați tratarea aceleiași zone de mai multe ori într-o sesiune, deoarece acest lucru nu va crește eficacitatea, ci va crește riscul de iritare a pielii.

FAMILIARIZAȚI-VĂ CU DISPOZITIVUL i-LIGHT

Fereastra Flash cu filtru UV încorporat (Fig. 7)

ATENȚIONARE: înainte de fiecare utilizare, verificați Fereastra Flash, pentru a vă asigura că lentilele nu sunt deteriorate.

ATENȚIONARE: înainte de fiecare utilizare, curățați întotdeauna Fereastra Flash cu o cârpă furnizată, pentru a vă asigura că pe lentilă nu rămâne grăsime sau mizerie.

Senzorul de contact cu pielea (Fig. 8)

Acest mecanism de siguranță previne activarea accidentală a luminii. Dispozitivul nu va lumina decât dacă ambii senzori de contact cu pielea se află în contact total cu pielea.



ROMANIA

Mod Putere, Mod Sensibil și Mod Expres (Fig. 9)

Butoanele Mod Putere, Mod Sensibil și Mod Expres se află pe mânerul aparatului.

Funcție de Testare a Nuanțelor de Piele (Fig. 10)

Va permite utilizarea doar pe nuanțele de piele potrivite.

Accesorii:

Cap de Tratament Corporal pentru zone extinse de sub gât (Fig. 11).

Cap de Tratament de Precizie pentru zonele faciale mai mici la femei, cum ar fi obrazul, perciunile, bărbia, gâtul și deasupra buzelor (Fig. 12).

Eliberarea accesoriului (Fig. 13)

Prindeți capul din pozițiile indicate și trageți-l cu fermitate în afară pentru a elibera capul de tratament. Atunci când înlocuiți capul, magneții vor ajuta la alinierea capului de tratament în poziție.

PREGĂTIREA PENTRU UTILIZARE

PREGĂTIREA PIELII PENTRU TRATAMENT

- Asigurați-vă că zona ce va fi tratată este curată și nu prezintă urme de uleiuri, deodorant, parfum, machiaj, loțiuni și creme. Radeți sau îndepărtați cu epilatorul părul din zonele ce vor fi tratate și asigurați-vă că pielea este curată și uscată.
- Pentru utilizare facială, vă recomandăm să vă tundeți părul. Dacă tundeți părul; acesta trebuie tuns la mai puțin de 0,5 mm.
- Nu folosiți ceară, epilatorul, penseta sau alte metode care îndepărtează părul de la rădăcină, deoarece IPL nu este eficient dacă părul a fost smuls.

PREGĂTIREA DISPOZITIVULUI i-LIGHT PENTRU UTILIZARE

- Conectați cablul de alimentare la priză.

VERIFICAȚI CULOAREA PIELII

- Pentru a stabili dacă nuanța pielii dumneavoastră este potrivită pentru a fi utilizată cu acest dispozitiv, comparați pielea din zonele de tratament dorite cu Graficul Nuanțelor de Piele de pe coperta acestui manual (Fig. 1).
- Dacă pielea se potrivește cu nuanțele de piele deschise, medii sau închise din Graficul Nuanțelor de Piele (Skin Tone I-V), puteți utiliza acest dispozitiv i-LIGHT.
- Dacă pielea din zona pe care doriți să o tratați se potrivește cu cea mai închisă nuanță a pielii din Graficul Nuanțelor de Piele, NU utilizați dispozitivul (Nuanțele Pielii VI - Skin Tone VI).
- Acest dispozitiv i-LIGHT este prevăzut cu o FUNCȚIE DE TESTARE A NUANȚELOR DE PIELE pe capul de tratament care este proiectat pentru a preveni activarea accidentală a luminii pe pielea care este prea închisă pentru tratament.
- Dacă pielea dvs. este adecvată pentru tratament, i-LIGHT va emite o pulsație și luminile LED de pe partea laterală a aplicatorului manual vor lumina alb. Numărul de lumini aprinse va indica Nuanța Pielii.
- Dacă pielea este prea închisă pentru tratament, veți primi o pulsație de putere scăzută, urmată de patru bipuri și un LED roșu pe partea laterală a aplicatorului manual.
- În cazul în care considerați că pielea este adecvată conform Graficului Nuanțelor de Piele (Fig. 1), însă dispozitivul luminează intermitent și urmează patru bipuri, încercați o altă zonă de tratament.

TESTAȚI DISPOZITIVUL i-LIGHT PE PIELE

Testați dispozitivul i-LIGHT pe o suprafață mică de piele și așteptați 24 de ore pentru a vă asigura că nu faceți eventuale reacții adverse.

1. Aplicați pe piele aplicatorul manual al i-LIGHT în așa fel încât Fereastra Flash să bată direct pe suprafața pielii.
2. Asigurați-vă că Senzorii de Contact cu Pielea sunt complet activați și că luminile LED luminează alb.
3. Selectați modul preferat și apăsați butonul pentru a emite o pulsație.
SFAT: Întrucât disconfortul ușor spre moderat este normal, puteți începe cu Modul Sensibil, comutând în Modul Putere numai atunci când vă simțiți confortabil procedând astfel.
4. Așteptați 24 de ore, apoi observați zona testată. Dacă pielea pare normală, continuați cu primul tratament complet la nivelul energetic respectiv pe care l-ați stabilit potrivit pentru dvs.
NOTĂ: Trebuie să testați dispozitivul pe fiecare zonă de pe față sau corp pe care doriți să o tratați.

SELECȚAȚI MODUL DE FUNCȚIONARE

- FUNCȚIA DE TESTARE A NUANȚELOR DE PIELE integrată pe capul de tratament va seta nivelul de putere corespunzător pentru fiecare setare în funcție de nuanța de piele înregistrată.
- Acest dispozitiv i-LIGHT are trei moduri diferite de funcționare, Modul Putere (Putere Maximă), Modul Sensibil și Modul Expres. Unitatea se va afla în Modul Putere atunci când aceasta este PORNITĂ. Aceasta va emite pulsații la aproximativ fiecare 3 secunde în Modul Putere și Modul Sensibil și mai puțin de o secundă în Modul Expres.

Mod Putere ✨

Modul Putere (Putere Maximă) va furniza cele mai ridicate niveluri de putere adecvate pentru dumneavoastră. Acest mod este ideal pentru tratarea atât a zonelor mai mari, cât și a celor mai mici și va oferi rezultate mai bune. Modul Putere vă va conferi cele mai bune rezultate de îndepărtare a părului cu un număr mai redus de tratamente, însă poate fi mai puțin confortabil.

Mod Sensibil 🍃

Modul Sensibil este destinat persoanelor care consideră că Modul Putere este prea intens. Modul Sensibil este un mod mai puțin puternic, disponibil pentru persoanele care sunt sensibile la disconfort, însă care își doresc în continuare să îndepărteze părul nedorit. Cu acest mod, este posibil să fie nevoie să efectuați câteva tratamente suplimentare pentru a avea rezultatele dorite.

Mod Expres ⚡

Modul Expres oferă utilizatorului o opțiune de economisire a timpului pentru tratamente. Cu acest mod puteți trata mai rapid zone mai mari, însă poate fi mai puțin eficient și va fi nevoie de câteva tratamente suplimentare pentru a obține rezultatele dorite.

OBSERVAȚIE: Ori de câte ori dispozitivul este pornit, acesta se setează automat în mod implicit în Modul Putere (Putere Maximă).

- Dacă doriți să selectați un mod alternativ, apăsați butonul dorit pentru a-l ilumina.
- De îndată ce ați decis și ați ales modul de funcționare corect pentru dumneavoastră, așezați fereastra de tratament ferm pe piele.
- Dispozitivul este acum pregătit pentru a declanșa prima pulsație. Pentru a deselecta Modul Sensibil sau Expres, apăsați pur și simplu pe butonul selectat din nou și unitatea va reveni la Modul Putere având doar Butonul Flash aprins.

👁️ TRATAMENT

SCHIMBAREA ACCESORIILOR

- Dispozitivul i-LIGHT este prevăzut cu două Capuri de Tratament separate:
- Capul de Tratament Corporal este destinat utilizării pe zone mai mari, cum ar fi părul corporal.
- Capul de Tratament de Precizie este destinat utilizării pe zone mai mici, cum ar fi părul facial la femei, subrațe și zona inghinală.

Pentru a schimba accesoriile:

AVERTISMENT: Înainte de a îndepărta Capul de Tratament, asigurați-vă întotdeauna că unitatea este OPRITĂ, iar cablul de alimentare este deconectat.

- Permiteți sistemului să se răcească timp de 5 minute înainte de încerca să schimbați Capul de Tratament.
1. Dezactivați butonul de alimentare și scoateți cablul de alimentare din priză.
 2. Țineți dispozitivul cu o mână în timp ce trageți ușor Capul de Tratament cu cealaltă mână (Fig. 13).
OBSERVAȚIE: Capurile de Tratament sunt reținute pe dispozitiv prin magneți și ar trebui să se scoată cu ușurință.
SFAT: Depozitați Capul de Tratament neutilizat într-un loc sigur (cum ar fi în ambalaj), având grijă să nu deteriorați fereastra Flash și alte componente.
 3. Împingeți ușor celălalt Cap de Tratament înapoi în dispozitiv, asigurându-vă că s-a fixat printr-un clic.

Metoda de utilizare:

1. Așezați fereastra Flash ferm pe piele - asigurați-vă că senzorii de contact cu pielea sunt complet activați. Dacă Senzorii de Contact cu Pielea sunt complet în contact, butonul Flash de pe dispozitiv va pulsa alb și LEDURILE de pe partea laterală a aplicatorului se vor aprinde, indicând faptul că dispozitivul este pregătit pentru pulsație.



ROMANIA

OBSERVAȚIE: Dacă Senzorii de Contact cu Pielea NU sunt complet în contact cu pielea, dispozitivul nu va funcționa dacă apăsați Butonul Flash și va „bâzâi”. Verificați de două ori dacă Senzorii de Contact cu Pielea sunt complet în contact cu pielea.

2. Apăsați Butonul de luminare pentru a lumina. Ar trebui să vedeți o rază puternică de lumină (similară unui bliț de aparat foto) și să simțiți o ușoară senzație de căldură.
3. Treceți la zona următoare și tratați-o inspirându-vă după modelul unui grilaj, pentru a asigura acoperirea completă a zonei ce trebuie tratată.
 - Pentru Modul Single Flash, apăsați butonul Flash de fiecare dată când treceți la zona următoare.
 - Pentru Modul Multi-Flash, țineți degetul pe butonul Flash și luați degetul, trecând prin glisare la zona următoare, asigurându-vă că senzorii de contact cu pielea sunt complet activați. Următoarea pulsație va fi activată automat după 3 secunde (în Modul Putere Maximă).
 - Când folosiți Modul Multi-Flash, dacă eliberați butonul Flash sau pierdeți contactul cu pielea, reluați tratamentul repetând pașii de mai sus.

Tratament facial (exclusiv pentru femei)

Părul facial poate fi foarte diferit de părul de pe corp, iar pielea feței tinde să fie sensibilă și mai expusă la razele ale soarelui; prin urmare, tratarea părului facial nedorit necesită o procedură diferită față de cea a corpului - asigurați-vă că ați citit cu atenție Atenționările și măsurile de precauție înainte de a iniția tratamentul facial.

IMPORTANT: Capul de Tratament de Precizie a fost special proiectat pentru a trata caracteristicile unice ale părului facial la femei. NU folosiți Capul de Tratament Corporal pe față. Consultați secțiunea „Schimbarea Accesorilor” pentru mai multe informații. Capul de Tratament de Precizie este destinat utilizării numai pe părul facial la femei pe obraz, perciune, bărbie, gât și deasupra buzelor. (Fig. 2). A NU se utiliza la bărbați, pe barbă sau părul facial; rezultatele ar putea fi permanente, producând schimbări nedorite ale trăsăturilor.

SFATURI DE TRATAMENT

Tratament corporal

- Pentru rezultate optime, evitați flashurile multiple. Astfel, veți evita să vă expuneți la o putere mai mare decât cea necesară pentru împiedicarea creșterii părului. De asemenea, va prelungi durata de viață a becului.
- Pentru rezultate optime, folosiți întotdeauna intensitatea cea mai mare care nu vă provoacă disconfort pe piele. Dispozitivul trebuie să emane doar o senzație de căldură pe piele, în niciun caz să provoace disconfort.
- Este posibil să observați că zonele osoase, precum coatele, gambele și gleznelor, sunt mai sensibile în timpul tratamentului. Acest lucru este normal și nu trebuie să vă alarmeze. Pentru a evita această sensibilitate, încercați să trageți pielea de pe zone osului în timpul tratamentului.

Tratament facial

- Testați o zonă mică a pielii - având în vedere că părul facial tinde a fi mai sensibil, asigurați-vă că ați testat o zonă mică înainte de a începe tratamentul. Pentru detalii suplimentare, consultați secțiunea „Testați dispozitivul i-LIGHT pe piele”.
- Folosiți o oglindă pentru a vă ajuta în timpul tratamentelor - folosirea unei oglinzi pentru vizualizarea zonei ce trebuie tratată, care vă ajută să evitați tratarea buzelor sau zonelor cu pete de culoare închisă. Dacă lumina reflectată este deranjantă, puteți închide ochii înainte de fiecare pulsație.
- Întindeți pielea pentru un contact mai bun cu pielea - contururile pielii pot îngreuna apăsarea completă a senzorilor de contact cu pielea în anumite zone. V-ar putea fi mai ușor să încercați să vă acoperiți dinții cu buza de sus sau să folosiți limba pentru a întinde obrații pentru un contact mai bun cu pielea.

ÎNGRIJIREA POST-TRATAMENT

După tratament, este posibil să prezentați o ușoară roșeață sau senzație de căldură pe piele. Acest lucru este normal și va dispărea în scurt timp. Pentru a evita iritarea pielii după tratament, luați următoarele măsuri de precauție:

- Evitați expunerea la soare timp de 24 de ore după tratament. Protejați-vă pielea cu un produs cu factor de protecție 30 timp de 2 săptămâni după fiecare tratament.

- Nu prelungiți expunerea la soare, mai precis renunțați la plajă, ședințele de solar sau produsele autobronzante timp de cel puțin 2 săptămâni după ultimul tratament.
- După tratament, păstrați zona curată și uscată, pentru a vă menține pielea hidratată.
- Nu faceți băi sau dușuri fierbinți și nu folosiți băi turcești sau saune până când nu dispăre orice roșeață sau sensibilitate a pielii.
- Nu vă epilați (cu ceară, cu penseta, cu benzi sau cu creme) pe perioada tratamentului - vă puteți rade, atâta vreme cât nu o faceți timp de 24 de ore după fiecare tratament.
- Nu folosiți creme de albire sau produse parfumate timp de 24 de ore după tratament.

BEC CU 300.000 DE BLIȚURI

- Becul va emite până la 300,000 de blițuri pe toată perioada de funcționare
- Becul din acest dispozitiv este garantat a dura pe întreaga perioadă de garanție, așa cum se specifică în cadrul de garanție furnizat împreună cu acest produs.
- Atunci când becul ajunge la 99% din durata de funcționare posibilă, unul dintre LEDURILE de pe partea laterală a aplicatorului manual va ilumina roșu în timpul pornirii.
- Atunci când durata de funcționare a becului este epuizată, nu veți mai putea utiliza dispozitivul.

CURĂȚAREA DISPOZITIVULUI i-LIGHT

⚠ ATENȚIE: Înainte de a curăța dispozitivul i-LIGHT, asigurați-vă că acesta este OPRIT, iar cablul de încărcare este deconectat de la dispozitiv.

Curățarea regulată ajută la asigurarea de rezultate optime și la prelungirea duratei de viață a dispozitivului.

- Pentru a curăța fereastra Flash, folosiți doar cârpa fără scame furnizată împreună cu dispozitivul i-LIGHT. Aveți grijă să nu zgâriați sau crăpați fereastra Flash. Zgârieturile și crăpăturile pot reduce eficacitatea unității.
- Pentru petele dificile de pe fereastra Flash, înmuiați un disc demachiant cu spirt medicinal sau alcool medicinal, aplicați pe fereastra Flash și curățați ușor cu cârpa fără scame furnizată.
 - **⚠ ATENȚIE:** Dacă Fereastra Flash este crăpată sau spartă, nu trebuie să folosiți unitatea. Evitați zgărirea ferestrei filtrului sau a suprafeței metalice din accesoriul de tratament.
 - **⚠ ATENȚIONARE:** i-LIGHT este un dispozitiv de înaltă tensiune. Nu-l introduceți în apă. Nu curățați unitatea sau componentele sale sub robinet sau în mașina de spălat vase.

Depozitare

Opriiți unitatea, scoateți-o din priză cu 10 minute înainte de a o depozita.



DEFECȚIUNI ȘI REMEDII

- Înainte de fiecare utilizare a dispozitivului i-LIGHT, citiți aceste instrucțiuni.
- Dacă experimentați orice problemă cu i-LIGHT, consultați acest ghid de defecțiuni și remedii, deoarece cuprinde majoritatea problemelor cu care v-ați putea confrunta cu i-LIGHT. Dacă ați urmat instrucțiunile din această secțiune și continuați să aveți probleme, contactați centrul de service Remington® pentru asistență suplimentară.

Butonul de alimentare este activat, dar unitatea nu funcționează.

- Asigurați-vă că unitatea este conectată la o priză electrică funcțională.
- Încercați să o conectați la o altă priză.

Unitatea pare crăpată sau este spartă.

- Nu folosiți dispozitivul dacă unitatea este deteriorată. Dacă aveți nelămuriri despre folosirea unității, întreruperi folosirea și contactați centrul de service Remington® pentru asistență suplimentară.

Am pornit unitatea, însă nu pot schimba Modul

- Încercați să resetați unitatea, oprind-o și așteptând câteva secunde înainte de a o reporni.

Simt un miros ciudat.

- Asigurați-vă că ați ras bine zona înainte de tratament.

ROMANIA

Zonele tratate se înroșesc după tratament.

- Este un lucru normal, roșeața ar trebui să se dispară repede. În caz contrar, încercați să comutați în Modul Sensibil. **OBSERVAȚIE:** În cazul în care dispozitivul i-LIGHT se încinge prea tare, dispozitivul va intra în modul așteptare. În modul așteptare, cele cinci LEDURI de pe partea laterală a aplicatorului manual vor începe să se aprindă pe rând. Așteptați timp de câteva minute pentru a lăsa aplicatorul manual să se răcească. Nu este nevoie să opriți unitatea, luminile LED vor înceta să lumineze atunci când dispozitivul este pregătit pentru a fi reutilizat.

ÎNTREBĂRI FRECVENTE

- Pentru lista completă a Întrebărilor frecvente, vizitați (www.remington-ilight.com)
- Î. Ce zone ale corpului pot trata cu i-LIGHT?
R. i-LIGHT este destinat utilizării unisex în zonele de sub gât, inclusiv pe picioare, subsuori, linia bikinilor, brațe, piept și spate. Femeile îl pot folosi și pe părul facial de sub pomeți.
- Î. Care sunt riscurile pe care le implică folosirea i-LIGHT? Este sigur?
R. Dispozitivul i-LIGHT se dovedește a fi sigur și eficient, însă ca orice dispozitiv electronic, este important să citiți și să urmați instrucțiunile de utilizare și avertismentele de siguranță.
- Î. IPL este periculos pentru piele dacă este utilizat vreme îndelungată?
A. Nu s-au raportat reacții adverse sau deteriorarea pielii în urma utilizării îndelungate a impulsurilor intense de lumină (IPL)
- Î. De ce, în ciuda tratamentelor, îmi crește părul?
R. Rezultatele nu sunt imediate, iar rezultatele individuale diferă. Majoritatea utilizatorilor vor începe să observe rezultatele la 1 săptămână sau 2 săptămâni de la inițierea tratamentului. În acest timp, este posibil să aveți impresia că părul încă crește, însă, de fapt, acesta este „împins în afară”. Părul crește într-un ciclu de 3 faze diferite care durează 18-24 luni. Doar firele de păr din faza de creștere activă trebuie tratate, acesta fiind motivul pentru care sunt necesare mai multe tratamente pentru a se obține rezultate optime. Alt motiv pentru continuarea creșterii părului ar putea fi faptul că zona respectivă a fost omisă în timpul tratamentului. Repetați regimul de tratament atunci când constatați că părul crește la loc.
- Î. De ce nu pot folosi i-LIGHT după o expunere recentă la soare?
R. Expunerea la soare determină producerea unor nivele ridicate de melanină, expunând pielea la un risc ridicat de arsuri sau bășici în urma tratamentului.
- Î. Trebuie să-mi protejez ochii în timp de folosesc i-LIGHT?
R. Nu, dispozitivul nu este dăunător ochilor. i-LIGHT este prevăzut cu un sistem de siguranță ce previne aprinderea accidentală atunci când dispozitivul nu se află în contact cu pielea. Cantitatea mică de lumină emisă în timpul tratamentului este similară cu cea a unui bliț de aparat foto și nu dăunează ochilor. Capurile de Tratament special proiectate reduc la minim pierderile de lumină. Dacă lumina reflectată este deranjantă, puteți închide ochii înainte de fiecare pulsație.

RECICLAREA



Pentru a evita problemele de mediu și de sănătate cauzate de substanțele periculoase, aparatele și bateriile reîncărcabile și cele obișnuite marcate cu unul dintre aceste simboluri, nu trebuie eliminate împreună cu deșeurile municipale nesortate. Eliminați întotdeauna produsele electrice și electronice și, după caz, bateriile reîncărcabile și cele obișnuite, la un punct de reciclare/colectare corespunzător.

Σας ευχαριστούμε για την αγορά του νέου σας προϊόντος Remington®. Διαβάστε προσεκτικά τις παρούσες οδηγίες και φυλάξτε τις σε ασφαλές μέρος. Αφαιρέστε όλα τα υλικά συσκευασίας πριν από την χρήση.

ΣΗΜΑΝΤΙΚΕΣ ΠΡΟΦΥΛΑΞΕΙΣ

- Αυτή η συσκευή δεν πρέπει να χρησιμοποιείται από άτομα κάτω των 18 ετών και άτομα με μειωμένες σωματικές, αισθητηριακές ή διανοητικές ικανότητες ή έλλειψη εμπειρίας και γνώσης, εκτός εάν εποπτεύονται / ακολουθούν οδηγίες και έχουν κατανοήσει τους κινδύνους που εμπλέκονται. Τα παιδιά δεν πρέπει να παίζουν με τη συσκευή. Ο καθαρισμός και η συντήρηση δεν πρέπει να γίνεται από άτομα κάτω των 18 ετών.
- Κρατήστε τη συσκευή και το καλώδιο μακριά από παιδιά κάτω των 8 ετών.
- Μην χρησιμοποιείτε το προϊόν όταν το καλώδιο έχει υποστεί βλάβη. Ανταλλακτικό διατίθεται στα Διεθνή Κέντρα Σέρβις της εταιρείας μας.
- ⊘ Το σώμα αυτής της συσκευής δεν πλένεται ούτε είναι αδιάβροχο. Μη βάζετε τη συσκευή μέσα σε υγρά, μην την χρησιμοποιείτε κοντά σε νερό εντός μπανιέρας, νιπτήρα ή άλλου δοχείου, και μην την χρησιμοποιείτε σε υπαίθριους χώρους.
- Το προϊόν αυτό εκπέμπει δυνητικά επικίνδυνη οπτική ακτινοβολία. Μην κοιτάζετε απευθείας στην πηγή φωτός, ενδέχεται να προκληθεί βλάβη στα μάτια.
- Χρησιμοποιείτε αυτήν τη συσκευή μόνο για την ενδεδειγμένη χρήση της, όπως αυτή περιγράφεται στο παρόν εγχειρίδιο.
- Μην χρησιμοποιείτε τη συσκευή εφόσον έχει υποστεί βλάβη ή δυσλειτουργεί.
- Μην αφήνετε τη συσκευή ανεπιτήρητη όταν το βύσμα της είναι στην πρίζα.
- Φροντίστε το βύσμα και το καλώδιο του ρεύματος να παραμένουν μακριά από θερμαινόμενες επιφάνειες.
- Μην χρησιμοποιείτε άλλα εξαρτήματα εκτός από αυτά που σας προμηθεύουμε εμείς.
- Να μην επιτρέπετε τη συστροφή ή την τσάκιση του καλωδίου και να μην το τυλίγετε γύρω από τη συσκευή.
- Όταν βάζετε ή βγάξετε το βύσμα μην το πιάνετε με βρεγμένα χέρια.
- Αυτή η συσκευή δεν προορίζεται για εμπορική χρήση ή χρήση σε κομμωτήριο.

Προτού αρχίσετε να χρησιμοποιείτε το i-LIGHT:

Φροντίστε να διαβάσετε όλες τις Προειδοποιήσεις και τις Πληροφορίες προστασίας. Προτού ξεκινήσετε, ελέγξτε αν το i-LIGHT είναι κατάλληλο για την περίπτωση σας.

Χρησιμοποιήστε τον χάρτη επιδερμίδας και τρίχας στην αρχή του εγχειριδίου μαζί με τον ενσωματωμένο αισθητήρα επιδερμίδας για να προσδιορίσετε κατά πόσο η συσκευή είναι κατάλληλη για εσάς (Εικ. 1).

ΠΡΟΕΙΔΟΠΟΙΗΣΗ: Το i-LIGHT δεν είναι κατάλληλο για πολύ σκούρες ή μαύρες επιδερμίδες. Το i-LIGHT δεν είναι αποτελεσματικό σε ανοιχτόχρωμες ή γκριζες τρίχες και είναι λιγότερο αποτελεσματικό σε ξανθές και κόκκινες τρίχες.

Για χρήση στο πρόσωπο: Είναι κατάλληλο μόνο για γυναίκες και για χρήση στο πρόσωπο σε τρίχες στις παρειές, τις φαβορίτες, το πηγούνι, την περιοχή του λαιμού και το άνω χείλος (Εικ. 2).

ΜΗΝ το χρησιμοποιείτε στα μάτια, τα φρύδια ή στις βλεφαρίδες. Σε αντίθετη περίπτωση, μπορεί να προκληθεί σοβαρή και μόνιμη βλάβη στα μάτια.

Τύπος επιδερμίδας

- Να μην χρησιμοποιείται σε εκ φύσεως σκούρα επιδερμίδα, καθώς μπορεί να προκαλέσει εγκαύματα, φουσκάλες και χρωματικές αλλοιώσεις στην επιδερμίδα.
- Να μην χρησιμοποιείται σε μαυρισμένη επιδερμίδα ή ύστερα από πρόσφατη ηλιοθεραπεία, καθώς μπορεί να προκαλέσει εγκαύματα ή δερματικές βλάβες.
- Το σύστημα i-LIGHT δεν επηρεάζει εκ φύσεως λευκές, γκριζες, ξανθές ή κόκκινες τρίχες του σώματος ή του προσώπου.

Περιοχές στις οποίες η θεραπεία πρέπει να αποφεύγεται:

- Να μην χρησιμοποιείται στο τριχωτό της κεφαλής ή στα αυτιά.
- Να μην χρησιμοποιείται στο πρόσωπο ή τον λαιμό ανδρών.



ΕΛΛΗΝΙΚΗ

- Να μην χρησιμοποιείται πάνω από τα ζυγωματικά (γυναικείο).
- Να μην χρησιμοποιείται στη θηλή ή την άλω του στήθους ή στα γεννητικά όργανα.
- Να μην χρησιμοποιείται εφόσον υπάρχουν τατουάζ ή μόνιμο μακιγιάζ στην περιοχή που προορίζεται για θεραπεία.
- Να μην χρησιμοποιείται σε σκούρα καστανά ή μαύρα στίγματα όπως ελιές, εκ γενετής σημάδια ή φακίδες.
- Να μην χρησιμοποιείται σε περιοχή που έχει υποβληθεί πρόσφατα σε χειρουργική επέμβαση, βαθύ πιλινγκ, ανάπλαση με λέιζερ, ή έχει ουλές ή σε δέρμα που έχει υποστεί εγκαύματα κάθε τύπου.

Πότε να μην χρησιμοποιήσετε ή πότε να αποφύγετε τη χρήση του i-LIGHT

- ΝΑ ΜΗΝ χρησιμοποιείτε τη συσκευή εφόσον έχετε μαυρισμένο δέρμα στην περιοχή που προορίζεται για θεραπεία, καθώς το δέρμα σας μπορεί να είναι υπερβολικά σκούρο και η θεραπεία σε μαυρισμένες περιοχές μπορεί να προκαλέσει προσωρινό δερματικό οίδημα, φουσκάλες, ή μπορεί να αλλοιώσει την απόχρωση της επιδερμίδας. Για να προβείτε σε θεραπεία περιμένετε πρώτα να φύγει το μαύρισμα.
- ΝΑ ΜΗΝ χρησιμοποιείτε σε επιδερμίδα όπου έχουν εφαρμοστεί καλλυντικά προϊόντα, καθώς η θεραπεία σε αυτές τις περιοχές μπορεί να προκαλέσει προσωρινό δερματικό οίδημα, φουσκάλες, ή μπορεί να αλλοιώσει την απόχρωση της επιδερμίδας. Πριν από τη χρήση φροντίστε να καθαρίσετε σχολαστικά την περιοχή που προορίζεται για θεραπεία.
- ΝΑ ΜΗΝ ακτινοβολείτε το ίδιο σημείο θεραπείας περισσότερες από μία φορές κατά την ίδια συνεδρία, καθώς έτσι μπορεί να προκληθεί προσωρινό δερματικό οίδημα, φουσκάλες, ή μπορεί να αλλοιωθεί η απόχρωση της επιδερμίδας.
- ΝΑ ΜΗΝ υποβάλετε σε θεραπεία την ίδια περιοχή πάνω από μία φορά εβδομαδιαίως, καθώς έτσι δεν επιταχύνονται τα αποτελέσματα, αλλά μπορεί να αυξηθεί η πιθανότητα να προκληθεί δερματικό οίδημα, φουσκάλες, ή να αλλοιωθεί η απόχρωση της επιδερμίδας.
- ΝΑ ΜΗΝ χρησιμοποιείται σε επιδερμίδα με σημάδια φθοράς, όπως, μεταξύ άλλων, ανοιχτές πληγές, επιχειλίο έρπητα, εγκαύματα από έκθεση στον ήλιο, ή σε περιοχές όπου έχει γίνει απολέπιση δέρματος ή άλλη διαδικασία αποκατάστασης του δέρματος τις τελευταίες 6-8 εβδομάδες.
- ΝΑ ΜΗΝ χρησιμοποιείται σε ερεθισμένο δέρμα, όπως, μεταξύ άλλων, σε εξανθήματα ή δερματικά οιδήματα. Αυτές οι παθήσεις μπορούν να αυξήσουν την ευαισθησία του δέρματος. Για να κάνετε χρήση περιμένετε πρώτα να ιαθεί η πάσχουσα περιοχή.
- ΝΑ ΜΗΝ χρησιμοποιείται αν η επιδερμίδα σας έχει ευαισθησία στο φως. Για να καθορίσετε αν μπορείτε να χρησιμοποιήσετε το i-LIGHT, κάντε μια δοκιμή σε μικρή επιφάνεια του δέρματος και περιμένετε 24 ώρες για να διαπιστώσετε αν υπάρχουν ανεπιθύμητες αντιδράσεις προτού επεκτείνετε περαιτέρω τη θεραπεία.
- ΝΑ ΜΗΝ χρησιμοποιείται αν είστε ή μπορεί να είστε έγκυος ή αν θηλάζετε. Το i-LIGHT δεν έχει δοκιμαστεί σε εγκύους. Οι ορμονικές μεταβολές είναι συνήθεις κατά την κύηση ή τον θηλασμό και μπορεί να αυξήσουν την ευαισθησία του δέρματος και τον κίνδυνο δερματικής βλάβης.
- ΝΑ ΜΗ γίνεται ακτινοβολήση οποιουδήποτε άλλου υλικού πέραν του δέρματος.
- ΝΑ ΜΗΝ χρησιμοποιείται το i-LIGHT για οποιονδήποτε άλλο λόγο εκτός από την αποτρίχωση.
- ΝΑ ΜΗΝ υποβάλετε σε θεραπεία περιοχές όπου θα θέλατε κάποια μέρα να φυτρώσουν ξανά τρίχες. Τα αποτελέσματα μπορεί να είναι μόνιμα και μη αναστρέψιμα.
- Να μην το χρησιμοποιείτε στο πρόσωπο αν έχετε ιστορικό απλού έρπητα καθώς η χρήση του συστήματος IPL ή άλλης θεραπείας που προκαλεί δερματικό ερεθισμό μπορεί να προκαλέσει υποτροπή του απλού έρπητα.
- Αν έχετε υποβληθεί σε θεραπεία αποτρίχωσης επαγγελματική ή κλινική ή αυτοχορηγούμενη με λέιζερ ή IPL ή ηλεκτρόλυση, περιμένετε τουλάχιστον 6 μήνες πριν χρησιμοποιήσετε το i-LIGHT. Αν έχετε αφαιρέσει τρίχες με χαλάουσα, τσιμπιδάκι ή μηχανή αποτρίχωσης στην περιοχή που προορίζεται για θεραπεία, περιμένετε τουλάχιστον 6 εβδομάδες πριν χρησιμοποιήσετε το i-LIGHT. Η συσκευή χρησιμοποιεί τις τρίχες κάτω από το δέρμα σας για να απενεργοποιήσει τις τρίχες σας στη ρίζα, επομένως δε θα είναι αποτελεσματική εάν οι τρίχες έχουν ήδη αφαιρεθεί.
- Να μην το χρησιμοποιείτε πάνω από ή κοντά σε οτιδήποτε τεχνητό όπως εμφυτεύματα σιλικόνης, αντισυλληπτικά εμφυτεύματα Implanon, βηματοδότες, αντλίες υποδόριας έγχυσης (αντλία ινσουλίνης) ή στα σημεία που έχετε τρυπήσει το σώμα σας.
- Παρόλο που κανένα πρόβλημα που να αφορά τη χρήση της παρούσας συσκευής δεν έχει αναφερθεί κατά τη διάρκεια μελετών, συνιστούμε την τήρηση όλων των προειδοποιήσεων των ενεργών εμφυτεύσιμων ιατρικών συσκευών οι οποίες αφορούν τη χρήση ηλεκτρονικών συσκευών προς αποφυγή αστοχίας ή διακοπής ενεργών εμφυτεύσιμων συσκευών.
- Ο εξοπλισμός ασύρματης επικοινωνίας μπορεί να επηρεάσει τη συσκευή i-LIGHT και θα πρέπει να παραμένει σε απόσταση τουλάχιστον 3,3 m από αυτή.

- Να μην χρησιμοποιείται πάνω ή κοντά σε μεταλλικά σφραγίσματα, οδοντικά εμφυτεύματα ή σιδεράκια
- ορθοδοντικής.

ΒΑΣΙΚΑ ΧΑΡΑΚΤΗΡΙΣΤΙΚΑ (ΕΙΚ. 3)

- | | |
|-----------------------------------------------------|----------------------------------------------|
| 1. Διακόπτης ισχύος | 10. Καλώδιο μονάδας χειρός |
| 2. Υποδοχή ισχύος | 11. Θυρίδα ακτινοβολήσης |
| 3. Πακέτο Τροφοδοσίας | 12. Αισθητήρες επαφής με την επιδερμίδα |
| 4. Μονάδα χειρός | 13. Εξάρτημα Θεραπείας Σώματος |
| 5. ✦ Λειτουργία Μεγάλης Ισχύος κουμπί ακτινοβολήσης | 14. Εξάρτημα Θεραπείας Προσώπου |
| 6. ✎ Λειτουργία Ευαισθησίας κουμπί ακτινοβολήσης | 15. Καλώδιο ρεύματος |
| 7. ⚡ Γρήγορη Λειτουργία κουμπί ακτινοβολήσης | 16. Πανί που δεν αφήνει χνούδι |
| 8. Ενδεικτικές Λυχνίες LED | 17. Τσαντάκι Αποθήκευσης (Δεν Απεικονίζεται) |
| 9. Αισθητήρας τόνου επιδερμίδας | |

ΠΡΟΕΤΟΙΜΑΣΙΑ

Διπλώστε τις μπροστινές και τις πίσω σελίδες αυτού του εγχειριδίου χρήσης έτσι ώστε να μπορείτε να βλέπετε τα διαγράμματα την ώρα που το διαβάσετε.

Την πρώτη φορά που θα χρησιμοποιήσετε το i-LIGHT να δείξετε υπομονή γιατί όπως συμβαίνει με όλα τα καινούρια προϊόντα, ίσως σας πάρει λίγη ώρα μέχρι να εξοικειωθείτε με το προϊόν. Αφιερώστε χρόνο για να εξοικειωθείτε με το i-LIGHT, καθώς είμαστε βέβαιοι ότι θα το χαρείτε για πολλά χρόνια και θα μείνετε πλήρως ικανοποιημένοι.

ΓΝΩΡΙΜΙΑ ΜΕ ΤΟ i-LIGHT

Τι είναι το i-LIGHT;

Το σύστημα i-LIGHT είναι μια επαναστατική συσκευή φωτεινής ακτινοβολίας που έχει σχεδιαστεί για την απομάκρυνση της ανεπιθύμητης τριχοφυΐας από το σώμα και το γυναικείο πρόσωπο κατ' οίκον.

Το i-LIGHT χρησιμοποιεί κλινικά δοκιμασμένη τεχνολογία παρόμοια με αυτή που χρησιμοποιούν οι επαγγελματίες δερματολόγοι και τα ινστιτούτα αισθητικής, η οποία έχει βελτιστοποιηθεί για ατομική θεραπεία.

Τι είναι το Έντονο Παλμικό Φως (IPL) και πώς λειτουργεί το i-LIGHT?

Η τεχνολογία IPL (Έντονο Παλμικό Φως) έχει καθιερωθεί παγκοσμίως εδώ και πάνω από 15 χρόνια. Το i-LIGHT χρησιμοποιεί αυτή την τεχνολογία για να ακτινοβολήσει το δέρμα σας με έντονο παλμό φωτός.

Ο παλμός δρα κάτω από την επιδερμίδα ώστε να στοχεύσει τις τρίχες στη ρίζα και να αναστείλει την ανάπτυξή τους (Εικ 4).

Η ενέργεια που περιέχεται στον παλμό φωτός στοχεύει στη σκούρα απόχρωση και τα καλύτερα αποτελέσματά διαπιστώνονται στις σκούρες τρίχες.

Το i-LIGHT προορίζεται για χρήση σε ανοιχτόχρωμες, μεσαίες και σκούρες επιδερμίδες (τόνοι I-V).

Τι να περιμένετε από το i-LIGHT

Τα αποτελέσματα δεν είναι άμεσα, και, επιπλέον, διαφέρουν ανά περίπτωση. Οι περισσότεροι χρήστες αρχίζουν να διαπιστώνουν μείωση της τριχοφυΐας εντός 1-2 εβδομάδων από την έναρξη της θεραπείας. Κατά το διάστημα αυτό ίσως δημιουργείται η εντύπωση ότι συνεχίζει η ανάπτυξη της τριχοφυΐας, ωστόσο στην πραγματικότητα απλώς «αποβάλλονται» οι τρίχες (Εικ. 5).

Οι τρίχες αναπτύσσονται σε κύκλο 3 διαφορετικών φάσεων, ο οποίος διαρκεί 18-24 μήνες (Εικ. 6). Μόνο οι τρίχες που βρίσκονται σε φάση ενεργής ανάπτυξης επηρεάζονται από τη θεραπεία, ως εκ τούτου χρειάζονται αρκετές θεραπείες για άριστα αποτελέσματα.

Θα πρέπει να συνεχιστούν τόσο η πλήρης θεραπευτική αγωγή όσο και οι συμπληρωματικές θεραπείες ώστε να αντιμετωπιστεί κάθε ενεργή τρίχα.

Θεραπευτική αγωγή

Η πλήρης θεραπευτική αγωγή αποτελείται από τρεις θεραπείες, μία θεραπεία κάθε δύο εβδομάδες. Τα αποτελέσματα μπορεί να διαφέρουν ανά περίπτωση, επομένως ίσως χρειαστούν περισσότερες θεραπείες για άριστα αποτελέσματα.

Θα υπάρξει κάποια τριχοφυΐα αλλά πιο αραιή, πιο λεπτή και πιο ανοιχτόχρωμη από την αρχική τρίχα. Αυτή η νέα τριχοφυΐα είναι απολύτως φυσιολογική και αναμενόμενη. Αφού ολοκληρωθεί η πλήρης θεραπευτική αγωγή, οι



ΕΛΛΗΝΙΚΗ

συμπληρωματικές θεραπείες κάθε τέσσερις εβδομάδες θα προσφέρουν ακόμα καλύτερα αποτελέσματα. Η συνεχής και τακτική θεραπεία, κάθε τέσσερις εβδομάδες, θα προσφέρει καλά αποτελέσματα μέσα σε 8-12 εβδομάδες (οι πιο σκούρες επιδερμίδες μπορεί να χρειαστούν περισσότερο). Μην το χρησιμοποιείτε συχνότερα από μία φορά κάθε δύο εβδομάδες. ΣΗΜΕΙΩΣΗ: Θα πρέπει να αποφεύγετε τη θεραπεία στην ίδια περιοχή πάνω από μία φορά ανά συνεδρία, καθώς έτσι δεν βελτιώνεται η αποτελεσματικότητα, αλλά αυξάνεται ο κίνδυνος δερματικού ερεθισμού.

ΞΟΙΚΕΙΩΘΕΙΤΕ ΜΕ ΤΗ ΣΥΣΚΕΥΗ i-LIGHT

Θυρίδα ακτινοβολήσης με ενσωματωμένο φίλτρο UV (Εικ. 7)

ΠΡΟΕΙΔΟΠΟΙΗΣΗ: πάντα να ελέγχετε τη Θυρίδα ακτινοβολήσης πριν από τη χρήση για να βεβαιωθείτε ότι ο φακός δεν έχει υποστεί ζημιά.

ΠΡΟΕΙΔΟΠΟΙΗΣΗ: πάντα να καθαρίζετε τη Θυρίδα ακτινοβολήσης πριν από τη χρήση με το συνοδευτικό πανί που δεν αφήνει χνούδι ούτως ώστε να μην υπάρχει λάδι ή ακαθαρσίες στο φακό.

Αισθητήρας επαφής με την επιδερμίδα (Εικ. 8)

Αυτός ο μηχανισμός ασφαλείας αποτρέπει την ακούσια ακτινοβολήση. Η συσκευή δεν ακτινοβολεί παρά μόνο όταν και οι δύο Αισθητήρες επαφής με την επιδερμίδα ακουμπάνε εξολοκλήρου στο δέρμα.

Λειτουργία Μεγάλης Ισχύος, Λειτουργία Ευαισθησίας, Γρήγορη Λειτουργία (Εικ. 9)

Τα κουμπιά για τη Λειτουργία Μεγάλης Ισχύος, τη Λειτουργία Ευαισθησίας και τη Γρήγορη Λειτουργία βρίσκονται όλα στη μονάδα χειρός.

Αισθητήρας Τόνου Επιδερμίδας (Εικ. 10)

Θα επιτρέψει τη χρήση μόνο σε κατάλληλους τόνους επιδερμίδας.

Εξαρτήματα:

Εξάρτημα Θεραπείας Σώματος για μεγάλες περιοχές κάτω από το λαιμό (Εικ. 11).

Εξάρτημα Θεραπείας Ακριβείας για μικρότερες περιοχές του γυναικείου προσώπου, όπως οι παρειές, οι φαβορίτες, το πηγούνι, η περιοχή του λαιμού και το άνω χείλος (Εικ. 12).

Αποδέσμευση εξαρτήματος (Εικ. 13)

Πιάστε το εξάρτημα από τα σημεία που απεικονίζονται και τραβήξτε το δυνατά προς τα έξω για να το απελευθερώσετε. Κατά την επανατοποθέτηση του εξαρτήματος, οι μαγνήτες θα σας βοηθήσουν να το ευθυγραμμίσετε στη θέση του.

ΠΡΟΕΤΟΙΜΑΣΙΑ ΧΡΗΣΗΣ

ΠΡΟΕΤΟΙΜΑΣΤΕ ΤΗΝ ΕΠΙΔΕΡΜΙΔΑ ΣΑΣ ΓΙΑ ΤΗ ΘΕΡΑΠΕΙΑ

- Βεβαιωθείτε ότι η προς θεραπεία περιοχή είναι καθαρή και χωρίς λάδια, αποσμητικά, αρώματα, μακιγιάζ, λοσιόν και κρέμες. Ξυρίστε ή ψαλιδίστε τις τρίχες από την περιοχή που προορίζεται για θεραπεία, και φροντίστε η επιδερμίδα να είναι καθαρή και στεγνή.
- Για χρήση στο πρόσωπο, ίσως να είναι προτιμότερο να ψαλιδίστε τις τρίχες. Σε περίπτωση ψαλιδίσματος, οι τρίχες πρέπει να κοπούν σε μήκος κάτω του 0,5mm.
- Ποτέ μην χρησιμοποιείτε κεριά, αποτρίχωση, τσιμπιδάκι ή άλλες μεθόδους για να απομακρύνετε την τρίχα από τη ρίζα της καθώς το IPL δεν είναι αποτελεσματικό όταν έχει εκριζωθεί η τρίχα.

ΠΡΟΕΤΟΙΜΑΣΙΑ ΤΟΥ i-LIGHT ΓΙΑ ΧΡΗΣΗ

- Συνδέστε το άλλο άκρο του καλωδίου ρεύματος στην πρίζα.

ΕΛΕΓΞΤΕ ΤΟΝ ΤΟΝΟ ΤΗΣ ΕΠΙΔΕΡΜΙΔΑΣ ΣΑΣ

- Για να καταλάβετε αν ο τόνος της επιδερμίδας σας είναι κατάλληλος για τη χρήση της συσκευής, συγκρίνετε την επιδερμίδα σας με τις περιοχές προς θεραπεία που παρουσιάζονται στο Χάρτη Επιδερμίδας, ο οποίος βρίσκεται στην αρχή αυτού του εγχειριδίου (Εικ. 1).
- Αν η επιδερμίδα σας ταιριάζει στον ανοιχτό, το μεσαίο ή το σκούρο τόνο επιδερμίδας στο Χάρτη Επιδερμίδας (Τόνος Επιδερμίδας I-V), μπορείτε να χρησιμοποιήσετε αυτήν τη συσκευή i-LIGHT.
- Αν η επιδερμίδα της συγκεκριμένης περιοχής ταιριάζει με τον πιο σκούρο τόνο επιδερμίδας στο Χάρτη Επιδερμίδας, ΜΗΝ χρησιμοποιήσετε τη συσκευή (Τόνος Επιδερμίδας VI).

- Αυτή η συσκευή i-LIGHT διαθέτει έναν ενσωματωμένο ΑΙΣΘΗΤΗΡΑ ΤΟΝΟΥ ΕΠΙΔΕΡΜΙΔΑΣ στην κεφαλή θεραπείας, ο οποίος είναι σχεδιασμένος έτσι ώστε να αποτρέπει την ακούσια ακτινοβολή σε επιδερμίδες που είναι πολύ σκούρες για θεραπεία.
- Αν η επιδερμίδα σας είναι κατάλληλη για θεραπεία, το i-LIGHT θα ακτινοβολήσει και οι λυχνίες LED στο πλάι της μονάδας χειρός θα ανάψουν με λευκό χρώμα. Ο αριθμός των λυχνιών που ανάβουν υποδεικνύει τον Τόνο Επιδερμίδας.
- Αν η επιδερμίδα σας είναι πολύ σκούρα για θεραπεία, η ακτινοβολήση θα είναι πολύ χαμηλής έντασης, θα ακολουθήσουν τέσσερα ηχητικά σήματα και θα ανάψει μια κόκκινη λυχνία στο πλάι της μονάδας χειρός.
- Αν πιστεύετε ότι η επιδερμίδα σας είναι κατάλληλη σύμφωνα με το Χάρτη Επιδερμίδας (Εικ. 1), αλλά η συσκευή ακτινοβολεί και ακούγονται τέσσερα ηχητικά σήματα, δοκιμάστε μια διαφορετική περιοχή προς θεραπεία.

ΔΟΚΙΜΑΣΤΕ ΤΟ i-LIGHT ΣΤΗΝ ΕΠΙΔΕΡΜΙΔΑ ΣΑΣ

Πριν κάνετε την πρώτη σας ολοκληρωμένη θεραπεία, δοκιμάστε τη συσκευή i-LIGHT σε ένα μικρό τμήμα της επιδερμίδας και περιμένετε 24 ώρες για να βεβαιωθείτε ότι δεν υπάρχουν ανεπιθύμητες αντιδράσεις.

1. Τοποθετήστε τη μονάδα χειρός του i-LIGHT πάνω στο δέρμα σας έτσι ώστε η Θυρίδα ακτινοβολήσης να εφάπτεται στην επιφάνεια της επιδερμίδας.
2. Επιβεβαιώστε ότι οι Αισθητήρες Επαφής με την Επιδερμίδα είναι πλήρως ενεργοί και ότι οι λυχνίες LED ανάβουν με λευκό χρώμα.
3. Επιλέξτε τη λειτουργία που προτιμάτε και πατήστε το κουμπί για ακτινοβολήση.
ΣΥΜΒΟΥΛΗ: Η ήπια έως μέτρια δυσφορία είναι φυσιολογικό φαινόμενο, ενδεχομένως να είναι προτιμότερο να ξεκινήσετε με τη Λειτουργία Ευαισθησίας και να μεταβείτε στη Λειτουργία Μεγάλης Ισχύος μόνο όταν αισθανθείτε άνετα.
4. Περιμένετε 24 ώρες και μετά εξετάστε την περιοχή της δοκιμής. Αν το δέρμα φαίνεται φυσιολογικό, προχωρήστε με την πρώτη σας ολοκληρωμένη θεραπεία στο επίπεδο ενέργειας που καθορίσατε ως ικανοποιητικό.
ΣΗΜΕΙΩΣΗ: Θα πρέπει να δοκιμάζετε τη συσκευή σε κάθε τμήμα του προσώπου ή του σώματος που προορίζετε για θεραπεία.

ΕΠΙΛΟΓΗ ΛΕΙΤΟΥΡΓΙΑΣ

- Ο ενσωματωμένος ΑΙΣΘΗΤΗΡΑΣ ΤΟΝΟΥ ΕΠΙΔΕΡΜΙΔΑΣ στην κεφαλή θεραπείας θα καθορίσει το κατάλληλο επίπεδο έντασης για κάθε ρύθμιση, με βάση τον τόνο της επιδερμίδας που ανιχνεύεται.
- Αυτή η συσκευή i-LIGHT διαθέτει 3 διαφορετικές λειτουργίες: τη Λειτουργία Μεγάλης Ισχύος (Πλήρης Ισχύς), τη Λειτουργία Ευαισθησίας και τη Γρήγορη Λειτουργία. Κατά την ΕΝΕΡΓΟΠΟΙΗΣΗ της, η μονάδα βρίσκεται στη Λειτουργία Μεγάλης Ισχύος. Ακτινοβολεί περίπου κάθε 3 δευτερόλεπτα στη Λειτουργία Μεγάλης Ισχύος και τη Λειτουργία Ευαισθησίας και με συχνότητα μικρότερη του 1 δευτερολέπτου στη Γρήγορη Λειτουργία.

Λειτουργία Μεγάλης Ισχύος ✨

Η Λειτουργία Μεγάλης Ισχύος (Πλήρης Ισχύς) προσφέρει τα υψηλότερα επίπεδα έντασης που είναι κατάλληλα για εσάς. Αυτή η λειτουργία είναι κατάλληλη για μεγαλύτερες αλλά και μικρότερες περιοχές και προσφέρει καλύτερα αποτελέσματα. Η Λειτουργία Μεγάλης Ισχύος θα σας προσφέρει τα καλύτερα αποτελέσματα αποτρίχωσης με λιγότερες θεραπείες, αλλά ενδέχεται να προκαλεί περισσότερη ενόχληση.

Λειτουργία Ευαισθησίας 🍃

Η Λειτουργία Ευαισθησίας επιλέγεται σε περίπτωση που η Λειτουργία Μεγάλης Ισχύος σας φαίνεται πολύ ισχυρή. Η Λειτουργία Ευαισθησίας είναι λιγότερο ισχυρή και προσφέρεται για τα άτομα που είναι ευαίσθητα στον πόνο, αλλά επιθυμούν να απαλλαγούν από την ανεπιθύμητη τριχοφυΐα. Με αυτήν τη λειτουργία ενδεχομένως να χρειαστούν περισσότερες θεραπείες για τα επιθυμητά αποτελέσματα.

Γρήγορη Λειτουργία ⚡

Η Γρήγορη Λειτουργία προσφέρει στο χρήστη μια επιλογή για γρηγορότερες θεραπείες. Με αυτήν τη λειτουργία, μπορείτε να αποτριχώσετε μεγαλύτερες περιοχές πιο γρήγορα, αλλά υπάρχει το ενδεχόμενο η θεραπεία να είναι λιγότερο αποτελεσματική και να χρειαστούν περισσότερες θεραπείες για τα επιθυμητά αποτελέσματα.

ΣΗΜΕΙΩΣΗ: Κατά την ενεργοποίηση της συσκευής, η αυτόματη προεπιλογή είναι η Λειτουργία Μεγάλης Ισχύος (Πλήρης Ισχύς).

- Αν θέλετε να επιλέξετε διαφορετική λειτουργία, πατήστε το αντίστοιχο κουμπί για να φωτίσει.
- Μόλις αποφασίσετε και επιλέξετε την κατάλληλη για εσάς λειτουργία, τοποθετήστε τη θυρίδα ακτινοβολήσης σταθερά επάνω στο δέρμα σας.



ΕΛΛΗΝΙΚΗ

- Η συσκευή είναι τώρα έτοιμη για την πρώτη ακτινοβολήση. Για να αποεπιλέξετε τη Λειτουργία Ευαισθησίας ή τη Γρήγορη Λειτουργία, απλώς πατήστε ξανά το επιλεγμένο κουμπί. Η μονάδα θα επιστρέψει στη Λειτουργία Μεγάλης Ισχύος και θα είναι αναμμένο μόνο το Κουμπί Ακτινοβολήσης.

ΘΕΡΑΠΕΙΑ

ΑΛΛΑΓΗ ΕΞΑΡΤΗΜΑΤΩΝ

- Το i-LIGHT συνοδεύεται από δύο ξεχωριστά Εξαρτήματα Θεραπείας:
- Το Εξάρτημα Θεραπείας Σώματος προορίζεται για χρήση σε μεγαλύτερες περιοχές όπως οι τρίχες του σώματος.
- Το Εξάρτημα Θεραπείας Ακριβείας προορίζεται για χρήση σε μικρότερες περιοχές, όπως οι περιοχές του γυναικείου προσώπου, οι μασχάλες και η περιοχή στο μπικίνι.

Για αλλαγή εξαρτημάτων:

ΠΡΟΕΙΔΟΠΟΙΗΣΗ: Βεβαιώνετε πάντα ότι η μονάδα είναι ΑΠΕΝΕΡΓΟΠΟΙΗΜΕΝΗ και ότι το καλώδιο ρεύματος είναι αποσυνδεδεμένο προτού αφαιρέσετε το Εξάρτημα Θεραπείας.

- Αφήστε το σύστημα να κρυώσει για 5 λεπτά πριν προσπαθήσετε να αλλάξετε το Εξάρτημα Θεραπείας.
- 1. Θέστε τον Διακόπτη Ισχύος στη θέση OFF και βγάλτε το Καλώδιο Ρεύματος από την πρίζα.
- 2. Κρατήστε τη συσκευή με το ένα χέρι, ενώ παράλληλα τραβάτε το Εξάρτημα Θεραπείας με το άλλο (Εικ. 13).
ΣΗΜΕΙΩΣΗ: Τα Εξαρτήματα Θεραπείας συγκρατούνται με μαγνήτες στη συσκευή και αφαιρούνται εύκολα.
ΣΥΜΒΟΥΛΗ: Αποθηκεύετε το Εξάρτημα Θεραπείας σε ασφαλή θέση (π.χ. στη συσκευασία) προσέχοντας να μην προκληθεί ζημιά στη θυρίδα ακτινοβολήσης και σε άλλα εξαρτήματα.
- 3. Πιέστε απαλά το άλλο Εξάρτημα Θεραπείας στη συσκευή, φροντίζοντας να ασφαλίσει στη θέση του.

Οδηγίες Θεραπείας:

1. Ακουμπήστε τη Θυρίδα ακτινοβολήσης καλά πάνω στην επιδερμίδα - φροντίστε οι Αισθητήρες επαφής με την επιδερμίδα να ακουμπάνε πλήρως.
Αν οι Αισθητήρες Επαφής με την Επιδερμίδα βρίσκονται πλήρως σε επαφή με την επιδερμίδα σας, το Κουμπί Ακτινοβολήσης στη συσκευή θα αναβοσβήσει με λευκό χρώμα και οι λυχνίες LED στο πλάι της μονάδας χειρός θα ανάψουν, υποδεικνύοντας ότι η συσκευή είναι έτοιμη για ακτινοβολήση.
ΣΗΜΕΙΩΣΗ: Αν οι Αισθητήρες Επαφής με την Επιδερμίδα ΔΕΝ βρίσκονται πλήρως σε επαφή με την επιδερμίδα σας, η συσκευή δεν θα λειτουργήσει όταν πατήσετε το Κουμπί Ακτινοβολήσης και θα ακουστεί ένας βόμβος. Ελέγξτε ξανά ότι οι Αισθητήρες Επαφής με την Επιδερμίδα βρίσκονται σε πλήρη επαφή με την επιδερμίδα σας.
2. Πατήστε το Κουμπί ακτινοβολήσης για να ακτινοβολήσετε. Θα πρέπει να περιμένετε να δείτε μια έντονη αναλαμπή φωτός (παρόμοια με το φλας της φωτογραφικής μηχανής), και θα πρέπει να νιώσετε μια ήπια αίσθηση θερμότητας.
3. Μεταφερθείτε στην επόμενη περιοχή που χρειάζεται θεραπεία σε σχήμα πλέγματος ώστε να καλυφθεί πλήρως η περιοχή που υποβάλλεται σε θεραπεία.
 - Για τη Λειτουργία Απλής Ακτινοβολήσης, πατήστε το Κουμπί ακτινοβολήσης κάθε φορά που μεταφέρεστε στην επόμενη περιοχή.
 - Για τη Λειτουργία Πολλαπλής Ακτινοβολήσης, κρατήστε το δάχτυλό σας στο Κουμπί ακτινοβολήσης για να το κρατάτε πατημένο και σύρετε τη συσκευή στην επόμενη περιοχή έτσι ώστε οι Αισθητήρες επαφής με την επιδερμίδα να παραμένουν σε πλήρη επαφή. Η επόμενη ακτινοβολήση θα πραγματοποιηθεί αυτόματα ύστερα από 3 δευτερόλεπτα (σε Λειτουργία Πλήρους Ισχύος).
 - Κατά τη Λειτουργία Πολλαπλής Ακτινοβολήσης, αν ξεπατηθεί το Κουμπί ακτινοβολήσης ή αν χαθεί η επαφή με την επιδερμίδα, απλώς συνεχίστε τη θεραπεία επαναλαμβάνοντας τα παραπάνω βήματα.

Θεραπεία Προσώπου (χρήση μόνο σε γυναίκες)

Η τριχοφυΐα του προσώπου μπορεί να διαφέρει πολύ από την τριχοφυΐα του σώματος και το δέρμα στο πρόσωπο κατά κανόνα είναι ευαίσθητο και εκτίθεται περισσότερο στην ακτινοβολία του ήλιου. Ως εκ τούτου η θεραπεία της ανεπιθύμητης τριχοφυΐας του προσώπου διαφέρει από τη θεραπεία του σώματος – φροντίστε να διαβάσετε προσεκτικά τις Προειδοποιήσεις και τις Προφυλάξεις Ασφαλείας πριν ξεκινήσετε τη θεραπεία του προσώπου.

ΣΗΜΑΝΤΙΚΟ: Το Εξάρτημα Θεραπείας Ακριβείας είναι ειδικά σχεδιασμένο για τα μοναδικά χαρακτηριστικά τις τριχοφυΐας του γυναικείου προσώπου. ΜΗΝ χρησιμοποιείτε το Εξάρτημα Θεραπείας Σώματος στο πρόσωπο. Ανατρέξτε στην ενότητα “Αλλαγή εξαρτημάτων” για περισσότερες πληροφορίες.

Το Εξάρτημα Θεραπείας Ακριβείας προορίζεται μόνο για χρήση σε τρίχες του γυναικείου προσώπου, στις παρειές, τις φαβορίτες, το πηγούνι, την περιοχή του λαιμού και το άνω χείλος. (Εικ. 2).

ΜΗΝ το χρησιμοποιείτε σε γένια ή τριχοφυΐα ανδρικού προσώπου καθώς τα αποτελέσματα μπορεί να είναι μόνιμα ή ανομοιόμορφα και να προκληθούν αλλαγές στα χαρακτηριστικά του προσώπου που μπορεί να μην είναι επιθυμητά.

ΣΥΜΒΟΥΛΕΣ ΘΕΡΑΠΕΙΑΣ

Θεραπεία Σώματος

- Για άριστα αποτελέσματα, αποφύγετε τις επικαλυπτόμενες ακτινοβολήσεις. Έτσι αποτρέπεται η έκθεση σε περισσότερη ενέργεια από όση χρειάζεται για την καταστολή της τριχοφυΐας.
- Επιπλέον σάς εξασφαλίζει τη μέγιστη δυνατή χρήση του Λαμπτήρα.
- Για τα πιο αποδοτικά αποτελέσματα, πάντα να χρησιμοποιείτε το υψηλότερο επίπεδο έντασης που δεν προκαλεί δυσφορία στο δέρμα. Το επίπεδο που χρησιμοποιείτε θα πρέπει να αφήνει μια αίσθηση θερμότητας στο δέρμα, αλλά δε θα πρέπει ποτέ να προκαλεί δυσφορία.
- Ίσως παρατηρήσετε ότι οι ισχνές περιοχές όπως οι αγκώνες, οι κνήμες και οι αστράγαλοι είναι πιο ευαίσθητοι κατά τη θεραπεία. Αυτό είναι φυσιολογικό και δε θα πρέπει να συνιστά λόγο ανησυχίας. Προς αποφυγή αυτής της ευαισθησίας, προσπαθήστε να τραβάτε το δέρμα μακριά από την ισχνή περιοχή κατά τη θεραπεία.

Θεραπεία Προσώπου

- Δοκιμάστε σε ένα μικρό κομμάτι της επιδερμίδας - επειδή η επιδερμίδα του προσώπου κατά κανόνα είναι πιο ευαίσθητη, φροντίστε να κάνετε μια δοκιμή σε ένα μικρό κομμάτι προτού ξεκινήσετε. Δείτε την ενότητα «Δοκιμάστε το i-LIGHT στην επιδερμίδα σας» για περαιτέρω πληροφορίες.
- Χρησιμοποιήστε έναν καθρέφτη για να καθοδηγείτε τις θεραπείες σας – με τον καθρέφτη μπορείτε να βλέπετε καλά την περιοχή όπου γίνεται η θεραπεία και να αποφεύγετε τη θεραπεία των χειλιών ή άλλων σκούρων σημείων. Αν το ανακλώμενο φως σας προκαλεί κάποια δυσφορία, θα μπορούσατε να κλείνετε τα μάτια πριν από κάθε ακτινοβολήση.
- Τεντώστε το δέρμα για καλύτερη επαφή με την επιδερμίδα – το περίγραμμα του δέρματος μπορεί να δυσχεραίνει το πλήρες πάτημα των αισθητήρων επαφής με την επιδερμίδα σε ορισμένες περιοχές. Ίσως σας φανεί πιο εύκολο αν προσπαθήσετε να τυλίξετε το πάνω χείλος πάνω από τα δόντια σας ή να τεντώσετε τα μάγουλα σας με τη γλώσσα για καλύτερη επαφή με την επιδερμίδα.

ΠΕΡΙΠΟΙΗΣΗ ΜΕΤΑ ΑΠΟ ΘΕΡΑΠΕΙΑ

Μετά από τη θεραπεία, μπορεί να παρουσιαστεί ελαφρά κοκκινίλα ή αίσθηση θερμότητας στο δέρμα σας. Αυτό είναι φυσιολογικό και θα υποχωρήσει γρήγορα. Προς αποφυγή ερεθισμού στο δέρμα σας μετά από τη θεραπεία, πάρτε τις εξής προφυλάξεις:

- Αποφύγετε την έκθεση στον ήλιο για 24 ώρες μετά από τη θεραπεία. Προστατεύστε την επιδερμίδα σας με SPF 30 για 2 εβδομάδες μετά από κάθε θεραπεία.
- Μην παρατείνετε την έκθεση στον ήλιο, π.χ. με ηλιοθεραπεία, σε σολάριουμ ή με προϊόν τεχνητού μαυρίσματος για τουλάχιστον 2 εβδομάδες μετά από την τελευταία θεραπεία.
- Μετά από τη θεραπεία, διατηρήστε την περιοχή καθαρή και στεγνή διατηρείτε το δέρμα ενυδατωμένο.
- Μην κάνετε μπάνιο ή ντους με καυτό νερό, μην χρησιμοποιείτε χαμάμ και σάουνες έως ότου τυχόν ερυθρότητα ή ευαισθησία υποχωρήσουν και η επιδερμίδα επανέλθει στη φυσιολογική της κατάσταση.
- Μην κάνετε αποτρίχωση (με κερί, τσιμπιδάκι, κλωστή ή κρέμες) κατά τη θεραπεία – το ξύρισμα είναι αποδεκτό εφόσον το αποφύγετε για 24 ώρες μετά από κάθε θεραπεία.
- Μην χρησιμοποιείτε κρέμες λεύκανσης ή αρωματισμένα προϊόντα για 24 ώρες μετά από κάθε θεραπεία.



ΛΑΜΠΑ FLASH 300.000

- Ο λαμπτήρας αναβοσβήνει 300.000 φορές στη διάρκεια της ζωής του
- Ο λαμπτήρας σε αυτή τη συσκευή είναι εξασφαλισμένο ότι θα κρατήσει για ολόκληρη τη διάρκεια ισχύος της εγγύησης, η οποία αναφέρεται στο δελτίο της εγγύησης που συνοδεύει το εν λόγω προϊόν.
- Όταν ο λαμπτήρας φτάσει το 99% της διάρκειας ζωής του, μία από τις λυχνίες που βρίσκονται στο πλάι της μονάδας χειρός θα ανάψει με κόκκινο χρώμα κατά την ενεργοποίηση.
- Όταν η διάρκεια ζωής του λαμπτήρα εξαντληθεί, δεν θα μπορείτε πλέον να χρησιμοποιείτε τη συσκευή.

ΕΛΛΗΝΙΚΗ

Ο ΚΑΘΑΡΙΣΜΟΣ ΤΗΣ ΣΥΣΚΕΥΗΣ i-LIGHT

◆ **ΠΡΟΣΟΧΗ:** Προτού καθαρίσετε το i-LIGHT, φροντίστε να το απενεργοποιήσετε και να αποσυνδέσετε το καλώδιο φόρτισης από τη συσκευή.

Ο τακτικός καθαρισμός διασφαλίζει τα βέλτιστα δυνατά αποτελέσματα και παρατείνει τη διάρκεια ζωής της συσκευής.

- Για να καθαρίσετε τη Θυρίδα ακτινοβολήσης, χρησιμοποιείτε μόνο το πανί που δεν αφήνει χνούδι, το οποίο συνοδεύει τη συσκευή i-LIGHT. Προσέξτε να μην χαράξετε ή να ραγίσετε τη Θυρίδα ακτινοβολήσης. Οι χαρακιές και οι ρωγμές μπορούν να μειώσουν την αποτελεσματικότητα της μονάδας.

- Για επίμονες κηλίδες πάνω στη θυρίδα ακτινοβολήσης, βρέξτε μια μπατονέτα με μπλε οινόπνευμα, βρέξτε με αυτήν τη θυρίδα ακτινοβολήσης και καθαρίστε απαλά με το παρεχόμενο πανί που δεν αφήνει χνούδι.

◆ **ΠΡΟΕΙΔΟΠΟΙΗΣΗ:** Αν η Θυρίδα ακτινοβολήσης ραγίσει ή σπάσει, η μονάδα δεν πρέπει να χρησιμοποιείται.

Ποτέ μη γρατζουνίσετε το γυαλί φιλτραρίσματος ή τη μεταλλική επιφάνεια στο εσωτερικό της Κεφαλής Θεραπείας.

◆ **ΠΡΟΣΟΧΗ:** Η συσκευή i-LIGHT χρησιμοποιεί υψηλή τάση. Ποτέ μη τη βυθίζετε ολόκληρη στο νερό. Ποτέ μην καθαρίζετε τη μονάδα ή τα εξαρτήματά της κάτω από τη βρύση ή σε πλυντήριο πιάτων.

Φύλαξη

Απενεργοποιήστε τη μονάδα, βγάλτε την από την πρίζα και αφήστε τη να κρυώσει για 10 λεπτά πριν από τη φύλαξη

ΑΝΤΙΜΕΤΩΠΙΣΗ ΠΡΟΒΛΗΜΑΤΩΝ

- Πάντα να διαβάσετε όλες αυτές τις οδηγίες προτού χρησιμοποιήσετε τη συσκευή i-LIGHT.
- Αν αντιμετωπίζετε προβλήματα με το i-LIGHT, να συμβουλευέστε αυτό τον οδηγό αντιμετώπισης προβλημάτων καθώς καλύπτει τα συνηθέστερα προβλήματα που θα μπορούσαν να προκύψουν με το i-LIGHT. Αν, αφού έχετε εφαρμόσει τις οδηγίες σε αυτή την ενότητα, συνεχίζετε να αντιμετωπίζετε προβλήματα, επικοινωνήστε με το Κέντρο Τεχνικής Υποστήριξης Remington® για περαιτέρω βοήθεια.

Ο διακόπτης ισχύος είναι στη θέση ON, αλλά η μονάδα δε λειτουργεί.

- Βεβαιωθείτε ότι το βύσμα της μονάδας έχει συνδεθεί με ηλεκτρική πρίζα που έχει ρεύμα.
- Δοκιμάστε να τη βάλετε σε άλλη πρίζα.

Η μονάδα φαίνεται ότι έχει ρωγμές ή ότι έχει χαλάσει.

- Μην χρησιμοποιείτε τη μονάδα εφόσον έχει υποστεί βλάβη. Αν έχετε οποιαδήποτε αμφιβολία για τη χρήση της μονάδας, διακόψτε τη χρήση της και επικοινωνήστε με το Κέντρο Τεχνικής Υποστήριξης Remington® για περαιτέρω βοήθεια.

Έχω ΕΝΕΡΓΟΠΟΙΗΣΕΙ τη μονάδα αλλά δεν μπορώ να αλλάξω Λειτουργία

- Προσπαθήστε να επαναφέρετε τη μονάδα απενεργοποιώντας την και περιμένοντας λίγα δευτερόλεπτα προτού την ενεργοποιήσετε και πάλι.

Μυρίζει μια περίεργη οσμή.

- Βεβαιωθείτε ότι η περιοχή έχει ξυριστεί πλήρως πριν από τη θεραπεία.

Οι περιοχές που υποβάλλονται σε θεραπεία κοκκινίζουν μετά από τη θεραπεία.

- Αυτό είναι φυσιολογικό και η ερυθρότητα πρέπει να υποχωρήσει. Σε αντίθετη περίπτωση, μεταβείτε στη Λειτουργία Ευαισθησίας.

ΣΗΜΕΙΩΣΗ: Σε περίπτωση που το i-LIGHT θερμανθεί πολύ, η συσκευή θα εισέλθει σε λειτουργία αναμονής. Στη λειτουργία αναμονής, οι 5 λυχνίες LED στο πλάι της μονάδας χειρός θα αρχίσουν να ανάβουν η μία μετά την άλλη. Περιμένετε μερικά λεπτά μέχρι να κρυώσει η συσκευή. Δεν χρειάζεται να απενεργοποιήσετε τη μονάδα, οι λυχνίες LED θα σταματήσουν να φωτίζουν όταν η συσκευή είναι ξανά έτοιμη για χρήση.

ΣΥΧΝΕΣ ΑΠΟΡΙΕΣ

- Για πλήρη λίστα με τις Συχνές Απορίες, επισκεφτείτε την ιστοσελίδα www.remington-ilight.com
- E. Σε ποιες περιοχές του σώματος μου μπορώ να κάνω θεραπεία με το i-LIGHT?
- A. Το i-LIGHT έχει σχεδιαστεί για χρήση από άνδρες και γυναίκες στις περιοχές κάτω από το λαιμό, δηλ, σε πόδια, μασχάλες, μπικίνι, χέρια, στήθος και πλάτη. Οι γυναίκες μπορούν ακόμα να το χρησιμοποιήσουν για την τριχοφυΐα του προσώπου κάτω από τα ζυγωματικά.

- E. Ποιοι είναι οι κίνδυνοι που συσχετίζονται με το i-LIGHT; Είναι ασφαλές;
- A. Το i-LIGHT είναι αποδεδειγμένα ασφαλές και αποτελεσματικό, αλλά όπως σε κάθε ηλεκτρονική συσκευή, είναι σημαντικό να διαβάζετε και να ακολουθείτε τις οδηγίες λειτουργίας και τις προειδοποιήσεις ασφαλείας.
- E. Το IPL είναι επικίνδυνο για την επιδερμίδα ύστερα από μακροχρόνια χρήση?
- A. Δεν έχουν αναφερθεί παρενέργειες ή δερματικές βλάβες λόγω μακροχρόνιας χρήσης του έντονου παλμικού φωτός (IPL)
- E. Γιατί οι τρίχες μου μεγαλώνουν παρά τις θεραπείες?
- A. Τα αποτελέσματα δεν είναι άμεσα, και, επιπλέον, διαφέρουν ανά περίπτωση. Οι περισσότεροι χρήστες αρχίζουν να διαπιστώνουν μείωση της τριχοφυΐας εντός 1-2 εβδομάδων από την έναρξη της θεραπείας. Κατά το διάστημα αυτό ίσως δημιουργείται η εντύπωση ότι συνεχίζει η ανάπτυξη της τριχοφυΐας, ωστόσο στην πραγματικότητα απλώς «αποβάλλονται» οι τρίχες.
Το μαλλί αναπτύσσεται σε κύκλο 3 διαφορετικών φάσεων, ο οποίος διαρκεί 18-24 μήνες. Μόνο οι τρίχες που βρίσκονται σε φάση ενεργής ανάπτυξης επηρεάζονται από τη θεραπεία, ως εκ τούτου χρειάζονται αρκετές θεραπείες για άριστο αποτέλεσμα.
Ένας άλλος λόγος για τη συνέχιση της ανάπτυξης θα μπορούσε να είναι η παράλειψη της συγκεκριμένης περιοχής κατά τη θεραπεία. Επαναλάβετε τη θεραπευτική αγωγή όταν διαπιστώσετε νέα τριχοφυΐα.
- E. Γιατί δεν μπορώ να χρησιμοποιήσω το i-LIGHT μετά από πρόσφατη έκθεση στον ήλιο;
- A. Η έκθεση στον ήλιο αυξάνει τα επίπεδα της μελανίνης και κατά συνέπεια τον κίνδυνο να προκληθούν στην επιδερμίδα εγκαύματα και φουσκάλες ύστερα από τη θεραπεία.
- E. Χρειάζομαι προστατευτικά γυαλιά κατά τη χρήση του i-LIGHT?
- A. Όχι, δεν είναι επιβλαβής για τα μάτια. Το i-LIGHT διαθέτει σύστημα ασφαλείας που αποτρέπει την ακούσια ακτινοβολία όταν η συσκευή δεν ακουμπάει στην επιδερμίδα. Η μικρή ποσότητα φωτός που εκπέμπεται κατά τη θεραπεία είναι παρόμοια με το φλας των φωτογραφικών μηχανών και δεν είναι επιβλαβής για τα μάτια. Τα ειδικά σχεδιασμένα Εξαρτήματα Θεραπείας ελαχιστοποιούν τη διαρροή φωτός. Αν το ανακλώμενο φως σας προκαλεί κάποια δυσφορία, θα μπορούσατε να κλείνετε τα μάτια πριν από κάθε ακτινοβολία.

ΑΝΑΚΥΚΛΩΣΗ



Για την αποφυγή προβλημάτων στο περιβάλλον και την υγεία λόγω επιβλαβών ουσιών, οι συσκευές και οι επαναφορτιζόμενες και μη επαναφορτιζόμενες μπαταρίες που επισημαίνονται με κάποιο από αυτά τα σύμβολα, δεν πρέπει να απορρίπτονται με τα κοινά οικιακά απορρίμματα. Να απορρίπτετε πάντα τις ηλεκτρικές και ηλεκτρονικές συσκευές και, όπου χρειάζεται, τις επαναφορτιζόμενες και μη επαναφορτιζόμενες μπαταρίες, σε κατάλληλο, επίσημο σημείο συλλογής/ανακύκλωσης.



SLOVENŠČINA

Zahvaljujemo se vam za nakup novega izdelka Remington®. Prosimo, da skrbno preberete ta navodila in jih varno shranite. Pred uporabo odstranite vso embalažo.

POMEMBNA VARNOSTNA NAVODILA

- To napravo ne smejo uporabljati, mlajši od 18 let in osebe z zmanjšanimi telesnimi, čutnimi ali duševnimi sposobnostmi ali zaradi pomanjkanja izkušenj in znanja, razen če so pod nadzorom in razumejo navodila ter se zavedajo morebitnih nevarnosti. Otroci se ne smejo igrati z aparatom. Čiščenje in vzdrževanje ne smejo opravljati mladoletne osebe pod 18 letom starosti.
- Napravo in kabel varujte pred dosegom otrok, mlajših od 8 let.
- Izdelka ne uporabljajte, če ima poškodovan kabel. Nadomestnega lahko dobite pri naših mednarodnih servisnih centrih.
- ⊘ Ohišje te naprave ni namenjeno za pranje in ni voodoodporno. Naprave ne potaplajte v tekočino, je ne uporabljajte v bližini vode v kadi, umivalniku ali drugi posodi in je ne uporabljajte na prostem.
- Možnost nevarnega optičnega sevanja, ki ga oddaja ta izdelek. Ne gledajte v vir svetlobe, ki lahko škodi vašim očem.
- To napravo uporabljajte izključno za namen, ki je opisan v tem priročniku.
- Naprave ne uporabljajte, če je poškodovana ali ne deluje pravilno.
- Priklopljene naprave ne puščajte brez nadzora.
- Napajalni vtič in kabel varujte pred vročimi površinami.
- Ne uporabljajte priključkov, ki jih ne dobavlja naše podjetje.
- Kabla ne uvijajte in ga ne ovijajte okrog naprave.
- Naprave ne priključite ali odklopite z mokrimi dlanmi.
- Ta naprava ni namenjena za komercialno uporabo ali salone.

Pred začetkom uporabe sistema i-LIGHT:

Obvezno preberite vsa opozorila in varnostne informacije. Preden začnete, preverite, ali je sistem i-LIGHT primeren za vas.

Uporabite tabelo barve kože in dlačic na prvi strani tega priročnika in vgrajeno tipalo kože, da določite, ali je ta naprava prava za vas (slika 1).

OPOZORILO: naprava za odstranjevanje dlačic i-LIGHT ni primerna za zelo temno ali črno kožo, prav tako je manj učinkovita pri svetlih/rdečih dlačicah.

Uporaba na obrazu: Primerna samo za ženske obrazne dlačice na licih, zalizcih, bradi, vratu in nad ustnicami (slika 2). NE uporabljajte na očeh, obrveh in trepalnicah. Takšno početje lahko povzroči resne in trajne poškodbe oči.

Vrsta kože

- Naprave ne uporabljajte na naravno temni koži, saj lahko povzroči opekline, mehurje in spremembe barve kože.
- Naprave ne uporabljajte na porjaveli koži ali kmalu po izpostavljenosti soncu, saj lahko povzroči opekline ali poškodbe kože.
- Sistem i-LIGHT ni učinkovit na naravno belih, sivih, blond ali rdečih dlačicah na telesu in obrazu.

Območja, ki jih ne obdelujete:

- Ne uporabljajte na lasišču ali ušesih.
- Pri moških ne uporabljajte na obrazu in vratu
- Ne uporabljajte nad ličnico (ženske).
- Ne uporabljajte na bradavicah, avreolah ali rodilih
- Ne uporabljajte, če imate na območju za obdelavo tetovaže ali trajna ličila.
- Ne uporabljajte na temno rjavih ali črnih lisah, kot so materina znamenja ali pege.
- Ne uporabljajte na območjih, kjer ste bili nedavno operirani, kjer je bila koža nedavno globoko luščena ali lasersko obdelana, na brazgotinah in na koži, ki je bila poškodovana zaradi opeklina ali poparjenja.

Kdaj sistema ne uporabljajte/kdaj se morate izogniti uporabi sistema i-LIGHT

- Sistema NE uporabljajte, če imate v območju predvidene obdelave porjavelo kožo, saj je lahko vaša koža pretemna in lahko obdelava na porjavelih območjih začasno povzroči otekline kože, mehurje ali spreminjanje barve kože. Pred obdelavo počakajte, da porjavlost zbledi.
- Sistema NE uporabljajte pri nanoseni kozmetiki, saj lahko obdelava na teh območjih začasno povzroči otekline kože, mehurje ali spreminjanje barve kože. Poskrbite, da pred uporabo temeljito očistite območje, ki ga nameravate obdelati.
- Iste točke obdelave NE obdelajte z več bliski med eno obdelavo, saj lahko to začasno povzroči otekline kože, mehurje ali spreminjanje barve kože.
- Nobenega območja NE obdelajte več kot enkrat na teden, saj to ne pospeši učinka, lahko pa poveča verjetnost oteklina kože, mehurjev ali spreminjanja barve kože.
- Sistema NE uporabljajte na poškodovani koži, vključno z odprtimi ranami in herpesom, ali območjih, ker ste imeli v zadnjih 6–8 tednih opravljeno lupljenje povrhnjice ali drugo obdelavo povrhnjice.
- Sistema NE uporabljajte na razdraženi koži, kar vključuje izpuščaje in oteklo kožo. Taka stanja naredijo kožo občutljivejšo. Pred uporabo počakajte, da se prizadeto območje pozdravi.
- Sistema NE uporabljajte, če je vaša koža občutljiva na svetlobo. Da določite, ali lahko uporabljate sistem i-LIGHT, opravite preizkus na majhnem delu kože in počakajte 24 ur, da ugotovite, ali je prišlo do neželenih reakcij, preden opravite širšo obdelavo.
- Sistema NE uporabljajte, če ste ali bi lahko bili noseči ali če dojite. Sistem i-LIGHT ni bil preizkušen na nosečih ženskah. Med nosečnostjo ali dojenjem so pogoste hormonske spremembe, ki lahko povečajo občutljivost kože in tveganje poškodb kože.
- Z bliski NE obdelajte nobenega drugega materiala kot kože.
- Te naprave i-LIGHT NE uporabljate za kateri koli drug namen razen odstranjevanje dlak.
- NE obdelajte območij, kjer bi si lahko kdaj želeli, da bi znova zrastle dlake. Rezultati so lahko trajni, kar pomeni, da ne bo mogoče povrniti prvotnega stanja.
- Ne uporabljajte na obrazu, če ste v preteklosti imeli herpes; uporaba IPL ali katere koli obdelave, ki draži kožo, lahko povzroči ponovitev herpesa.
- Če ste bili izpostavljeni profesionalnim, kliničnim ali samostojnim obdelavam za odstranjevanje dlak z laserjem, sistemi IPL ali elektrolizo, počakajte pred uporabo sistema i-LIGHT najmanj 6 mesecev. Če ste imeli v območju obdelave voskanje, puljenje ali epilacijo dlak, počakajte najmanj 6 tednov, preden uporabite sistem i-LIGHT. Naprava uniči dlake tako, da dlake pod kožo uporabi za uničevanje korenine, zato ne deluje, če je dlaka izpuljena.
- Ne uporabljajte nad ali v bližini česar koli umetnega, na primer silikonskih vsadkov, kontracepcijskih vsadkov Implanon, srčnih spodbujevalnikov, podkožnih nastavkov za vbrizgavanje (inzulinska črpalka) ali piercingov.
- Čeprav med študijami niso poročali o težavah, povezanih z rabo te naprave, priporočamo, da upoštevate vsa opozorila za vsajene medicinske naprave, da preprečite vsakršno odpoved ali prekinitev delovanja aktivne vsajene naprave.
- Brezžična komunikacijska oprema lahko vpliva na napravo i-LIGHT in jo morate imeti oddaljeno najmanj 3,3 m.
- Ne uporabljajte nad ali v bližini kovinskih zalivk, zobnih vsadkov in zobnih aparatov.

**KLJUČNE LASTNOSTI (SLIKA 3)**

- | | |
|-----------------------------------------|--------------------------------------------|
| 1. Stikalo za vklop/izklop | 10. Kabel ročne enote |
| 2. Vtičnica za napajanje | 11. Okno za bliskanje |
| 3. Osnovna napajalna enota | 12. Senzor stika s kožo |
| 4. Ročna enota | 13. Nastavek za obdelavo telesa |
| 5. ✱ Močan način gumb za bliskanje | 14. Nastavek za obdelavo obraza |
| 6. ✂ Občutljivi način gumb za bliskanje | 15. Napajalni kabel |
| 7. ⚡ Hitri način gumb za bliskanje | 16. Krpica, ki ne pušča vlaken |
| 8. LED-lučke kazalnika | 17. Torbica za shranjevanje (ni prikazana) |
| 9. Tipalo odtenka kože | |

SLOVENŠČINA

PRVI KORAKI

Razvijte sprednje in zadnje strani tega priročnika za uporabo, da boste med branjem lahko gledali slike. Bodite potrpežljivi pri prvi uporabi svoje naprave i-LIGHT, tako kot pri vsakem novem izdelku bo morda potrebno več časa, da jo spoznate. Vzemite si čas, da spoznate svojo novo napravo i-LIGHT, saj smo prepričani, da jo boste še mnogo let z zadovoljstvom uporabljali.

SEZNANITE SE S SISTEMOM i-LIGHT

Kaj je i-LIGHT?

Sistem i-LIGHT je revolucionarna naprava za odstranjevanje neželenih dlačic na telesu in pri ženskah na obrazu, ki deluje s svetlobo ter jo lahko uporabljate doma.

Naprava i-LIGHT uporablja podobno klinično preizkušeno tehnologijo kot dermatologi in saloni, vendar je optimizirana za osebno obdelavo.

Kaj je močan svetlobni impulz (Intense Pulse Light – IPL) in kako deluje sistem i-LIGHT?

IPL (Intense Pulsed Light – močan svetlobni impulz) je uveljavljena tehnologija, ki se že več kot 15 let uporablja po vsem svetu. Sistem i-LIGHT uporablja to tehnologijo za bliskanje vaše kože z močnimi svetlobnimi impulzi.

Impulz deluje pod površino kože na korenine dlak, kar pomaga ustaviti njihovo rast. (slika 4)

Energija svetlobnega impulza deluje na temno obarvane predmete, zato so najboljši rezultati vidni na temnejših dlakah. Naprava i-LIGHT je namenjena uporabi na koži, ki je svetle, srednje svetle ali temne barve (odtenki kože I-V).

Kaj lahko pričakujete od sistema i-LIGHT

Rezultati niso vidni takoj in se lahko razlikujejo od posameznika do posameznika. Večina uporabnikov bo opazila manj dlačic čez teden ali dva po začetku obdelave. V tem času je lahko videti, kot da dlake še vedno rastejo, vendar se v resnici izrivajo (slika 5).

Dlačice rastejo v tristopenjskem ciklu, ki traja 18–24 mesecev (slika 6). Samo dlačice na aktivni stopnji rasti so primerne za obdelavo, zaradi tega je potrebnih več obdelav za najboljši rezultat.

Pomembno je, da nadaljujete in opravite celoten program obdelave in še dodatne obdelave, da zagotovite obdelavo vseh aktivnih dlačic.

Program obdelave

Celoten program obdelave je treba izvesti vsaka dva tedna za tri obdelave. Posamezni rezultati se lahko razlikujejo, tako da je lahko potrebnih več obdelav za najboljši rezultat. Nekaj dlačic bo zrastle znova; te bodo manj goste, tanjše in svetlejše od prvotnih. Ta vnovična rast je pričakovana in običajna. Potem ko ste opravili celotni program obdelave, bodo dodatne obdelave enkrat na vsake štiri tedne zagotovile še boljši rezultat. Redna uporaba vsake štiri tedne bo dala dobre rezultate v 8–12 tednih (pri temnejših odtenkih bo morda trajalo dlje časa). Ne uporabljajte več kot enkrat na dva tedna. **OPOMBA:** Izognite se obdelavi istega predela večkrat v eni obdelavi, saj s tem ne boste povečali učinkovitosti, temveč povečali tveganje za draženje kože.

SPOZNAJTE SVOJO NAPRAVO i-LIGHT

Okno bliskavice z vgrajenim UV-filtrom (slika 7)

OPOZORILO: Pred uporabo vedno preverite okno za bliskanje, da preverite brezhibnost leče.

OPOZORILO: Pred uporabo okno za bliskanje vedno očistite s priloženo krpico, ki ne pušča vlaken, da zagotovite, da na leči ni maščobe ali umazanije.

Senzor stika s kožo (slika 8)

Ta varnostni mehanizem preprečuje nenamerno bliskanje. Naprava ne bo oddala bliska, če se obe tipali za stik s kožo v celoti ne dotikata kože.

Močan način, občutljivi način in hitri način (slika 9)

Gumbi za močan način, občutljivi način in hitri način se vsi nahajajo na ročni enoti.

Preverjanje odtenka kože (slika 10)

Dovoljuje uporabo samo na primernih odtenkih kože.

Nastavka:

Nastavek za telo za večje predele pod vratom (slika 11).

Nastavek za natančno obdelavo manjših predelov na ženskem telesu, kot so lica, zalizci, brada, predel vrata in nad ustnico (slika 12).

Sprostitev nastavkov (slika 13)

Nastavek za obdelavo zagrabitve za prikazana dela in ga potegnite naravnost navzven, da ga sprostite. Ob zamenjavi nastavka vam bodo magneti pomagali, da ga boste lahko naravnali v položaj.

PRIPRAVA ZA UPORABO**PRIPRAVITE KOŽO ZA OBDELAVO**

- Poskrbite, da so površine, ki jih boste obdelali, suhe in brez olj, dezodorantov, parfumov, ličil, losjonov ter krem. Obrijte ali postrizite dlačice z območja za obdelavo in poskrbite, da je koža čista ter suha.
- Pri uporabi na obrazu boste morda morali pristržiti dlačice. Če dlačice pristržete, morajo biti dolge manj kot 0,5 mm.
- Ne uporabljajte voska, epilacije, pincete ali drugih načinov, ki dlačice odstranijo s korenino vred, saj tehnologija z intenzivno pulzirajočo svetlobo (IPL) ni učinkovita, če je bila dlačica izpuljena.

PRIPRAVITE NAPRAVO i-LIGHT NA UPORABO

- Priključite napajalni kabel v električno vtičnico.

PREVERITE SVOJ ODTENEK KOŽE

- Če želite določiti, ali je vaš odtenek kože primeren za to napravo, primerjajte svojo kožo na obdelovanih predelih s tabelo odtenkov kože na sprednji strani tega priročnika (slika 1).
- Če vaša koža ustreza svetlemu, srednje svetlemu ali temnemu odtenku kože v tabeli odtenkov kože (Skin Tone I-V), lahko uporabite napravo i-LIGHT.
- Če vaša koža v predvidenem predelu obdelave ustreza najtemnejšemu odtenku kože (skin tone) v tabeli odtenkov kože, NE uporabljajte te naprave (odtenek kože VI - skin tone V).
- Ta naprava i-LIGHT ima vgrajeno PREVERJANJE ODTENKA KOŽE v obdelovalni glavi, ki je namenjeno v pomoč pri preprečevanju nehotenega sproženja pulzirajoče svetlobe na koži, ki je pretemna za obdelavo.
- Če je vaša koža primerna za obdelavo, bo naprava i-LIGHT oddala blisk in LED-lučke ob strani ročne enote bodo zasvetile belo. Število osvetljenih lučk nakazuje vaš odtenek kože.
- Če je vaša koža pretemna za obdelavo, bo naprava sprožila nizkoenergijski blisk, ki mu sledijo 4 zvočni piski in osvetljena rdeča LED-lučka ob strani ročne enote.
- Če menite, da je vaša koža primerna glede na tabelo odtenkov kože (slika 1), a naprava utripa, čemur sledijo štirje zvočni piski, poskusite z drugim predelom obdelave.

NAPRAVO i-LIGHT PREIZKUSITE NA SVOJI KOŽI

Napravo i-LIGHT preizkusite na majhni površini kože in počakajte 24 ur, da ne bi prišlo do neželenih učinkov.

1. Položite ročni del naprave i-LIGHT ob svojo kožo, tako da je okno bliskavice vzporedno s površino kože.
2. Prepričajte se, da sta obe tipali za stik s kožo pritisnjeni ob kožo in da so LED-lučke osvetljene belo.
3. Izberite svoj zeleni način in za oddajo bliska pritisnite gumb.
NASVET: Ker je blago do zmerno neugodje običajno, boste morda raje začeli z občutljivim načinom in preklopili na močan način, takrat ko vam bodo bliski postali znosni.
4. Počakajte 24 ur, nato preglejte območje preizkusa. Če je koža videti enaka kot običajno, nadaljujte s prvo celotno obdelavo na ravni energije, ki se vam na podlagi preizkusa zdi ustrezna.
OPOMBA: Napravo morate preizkusiti za vsak del telesa ali obraza, ki ga želite obdelati.

IZBIRA NAČINA DELOVANJA

- Vgrajeno PREVERJANJE ODTENKA KOŽE v obdelovalni glavi bo nastavilo primerno raven moči za vsako nastavitve glede na registrirani odtenek kože.
- Ta naprava i-LIGHT ima 3 načine delovanja, močan način (vsa moč), občutljivi način in hitri način. Ko napravo VKLOPITE, začne delovati v močnem načinu. Približno vsake 3 sekunde bo oddala blisk v močnem načinu in občutljivem načinu, v hitrem načinu v manj kot 1 sekundi.

SI

SLOVENŠČINA

Močan način ✨

Močan način (vsa moč) bo zagotavljal najvišje ravni moči, ki so primerne za vas. Ta način je najprimernejši za obdelavo večjih in manjših predelov in boste z njim dosegli boljše rezultate. Močan način vam bo dal najboljše rezultate pri odstranjevanju dlavic v manjšem številu obdelav, a bo morda manj prijeten.

Občutljivi način 🍃

Občutljivi način je primeren za tiste, ki jim je močan način preveč intenziven. Občutljivi način je manj močan način, ki je na voljo za tiste, ki so občutljivi na nelagodje, a kljub temu želijo odstraniti neželene dlaviče. S tem načinom boste morda morali izvesti več obdelav za zelene rezultate.

Hitri način ⚡

Hitri način zagotavlja uporabniku časovno bolj prijazno možnost obdelav. Večje predele lahko obdelate s tem načinom v krajšem času, a bo ta morda manj učinkovitejši, tako da boste morali opraviti več obdelav za zelene rezultate.

OPOMBA: Kadar koli napravo vklopite, se samodejno privzeto vklopi v močnem načinu (z vso močjo).

- Če želite izbrati drugi način, pritisnite zeleni gumb, da ga osvetlite.
- Ko ste se odločili in izbrali, kateri način delovanja je pravi za vas, okno za obdelavo trdno položite ob svojo kožo.
- Naprava je zdaj pripravljena na sproženje prvega bliska. Če želite preklicati občutljivi ali hitri način, preprosto pritisnite zeleni gumb ponovno in naprava bo ponovno začela delovati v močnem načinu, pri čemer bo osvetljen samo gumb za bliskanje.

OBDELAVA

ZAMENJAVA NASTAVKOV

- Vaša naprava i-LIGHT ima priložena dva ločena nastavka za obdelavo:
- Nastavek za obdelavo telesa je namenjen uporabi na večjih predelih, kot so na primer telesne dlake.
- Nastavek za natančno obdelavo je namenjen uporabi na manjših predelih, kot so ženske obrazne dlaviče, pod pazduhe in bikini predel.

Zamenjava nastavkov:

OPOZORILO: Prepričajte se, da je enota izklopljena in da je napajalni kabel odklopljen, preden odstranite nastavek za obdelavo.

- Pustite, da se sistem ohlaja 5 minut, preden boste poskusili znova zamenjati nastavek za obdelavo.
- 1. Stikalo za vklop izklopite in napajalni kabel odstranite iz električne vtičnice.
- 2. Napravo držite z eno roko, medtem ko z drugo nežno povlecite nastavek za obdelavo (slika 13).
OPOMBA: Nastavek za obdelavo magneti držijo na napravi in ju je mogoče preprosto odstraniti s potegom.
NASVET: Neuporabljen nastavek za obdelavo hranite na varnem mestu (kot je npr. embalaža), pri čemer pazite, da ne poškodujete okna bliskavice in drugih delov.
- 3. Nežno potisnite drug nastavek za obdelavo na napravo, pri čemer se prepričajte, da se zaskoči na mesto.

Navodila za obdelavo:

1. Okno bliskavice trdno namestite na kožo – tako da sta tipali za stik s kožo povsem pritisnjeni ob kožo. Če se senzorja stika s kožo v celoti dotikata kože, bo gumb za bliskanje utripal belo in LED-lučke ob strani ročne enote bodo zasvetile, kar pomeni, da je naprava pripravljena na oddajanje bliskov.
OPOMBA: Če se senzorja stika s kožo v celoti NE dotikata kože, naprava ne bo delovala, če pritisnete gumb za bliskanje, in bo zabrnela. Še enkrat preverite, ali se senzorja stika s kožo v celoti dotikata kože.
2. Za vklop bliska pritisnite gumb za blisk. Pričakujete lahko močan blisk svetlobe (podobno kot pri bliskavici fotoaparata) in blag občutek toplote.
3. Premaknite se na naslednji predel in izvajajte obdelavo v mrežnem vzorcu, da zagotovite popolno pokritost območja obdelave.
 - Za način enega bliska pritisnite gumb za sproženje pulzirajoče svetlobe, vsakič ko se premaknete na naslednje območje.
 - Za način več bliskov imejte gumb za sproženje pulzirajoče svetlobe pritisnjen in drsite do naslednjega območja, pri čemer pazite na to, da sta tipali za stik s kožo povsem pritisnjeni ob kožo. Naslednji blisk bo samodejno oddan po 3 sekundah (v močnem načinu).
 - Če med načinom več bliskov spustite gumb za sproženje pulzirajoče svetlobe ali izgubite stik s kožo, preprosto ponovite obdelavo, tako da ponovno izvedete zgornje korake.

Obdelava obraza (samo pri ženskah)

Obrazne dlačice se lahko močno razlikujejo od telesnih in koža na obrazu je bolj nagnjena k občutljivosti ter je bolj izpostavljena sončnih žarkov. Zato je obdelava neželenih obraznih dlačic drugačna od obdelave telesnih – pazljivo preberite opozorila in varnostne napotke, preden pričnete z obdelavo obraza.

POMEMBNO: Nastavek za natančno obdelavo je posebej zasnovan za obdelavo edinstvenih značilnosti ženskih obraznih dlačic. Nastavka za obdelavo telesa NE uporabljajte na obrazu. Glejte poglavje »Zamenjava nastavkov«, kjer najdete več informacij. Nastavek za natančno obdelavo je namenjen samo obdelavi ženskih obraznih dlačic na licih, zalizcih, bradi, vratu in nad ustnicami. (slika 2).

NE uporabljajte je na moški bradi ali obraznih dlačicah, saj so lahko rezultati trajni ali neenakomerni, kar lahko povzroči neželene spremembe v videzu obraza.

NASVETI ZA OBDELAVO**Obdelava telesa**

- Za najboljše rezultate se izogibajte prekrivanju bliskov. To pomaga preprečiti izpostavljenost večji energiji, kot je potrebna za zaviranje rasti dlačic. Omogoča, da lahko žarnico kar najbolje uporabite.
- Za najučinkovitejše rezultate vedno uporabite najvišjo raven energije, ki ne povzroča nelagodja na koži. Raven, ki jo je treba uporabiti, kožo sicer segreje, vendar ni neprijetna.
- Morda boste opazili, da so bolj koščena področja, kot so komolci, goleni in gležnji, med obdelavo občutljivejša. To je običajno in naj vas ne skrbi. Da bi se izognili tej občutljivosti, poskusite med obdelavo raztegniti kožo stran od koščene območja.

Obdelava obraza

- Preskusite na majhnem delu kože – ker je koža na obrazu bolj občutljiva, napravite preskus na majhnem delu kože, preden nadaljujete z uporabo. Več informacij najdete v razdelku »Preverite napravo i-LIGHT na koži«.
- Pri obdelavi uporabljajte kot vodilo ogledalo – uporaba ogledala vam omogoča dober pregled območja, ki ga obdelujete, in vam pomaga preprečiti obdelavo ustnic ali drugih temnih peg. Če je odbita svetloba neprijetna, lahko pred vsakim bliskom zaprete oči.
- Raztegnite kožo za boljši stik s kožo – obrisi kože lahko na določenih območjih otežijo popoln pritisk na tipala stika s kožo. Morda vam bo pomagalo doseči boljši stik s kožo, če poskusite zgornjo ustnico oviti preko zob ali lica raztegniti z jezikom.

NEGA PO OBDELAVI

Po obdelavi se lahko pojavi rahla rdečica ali topel občutek na koži. To je običajno in hitro izgine. Da se izognete draženju kože po obdelavi, upoštevajte naslednje nasvete:

- Izogibajte se izpostavljenosti soncu 24 ur po obdelavi. Zaščitite kožo z zaščitnim faktorjem 30 še 2 tedna po vsaki obdelavi.
- Vsaj 2 tedna po zadnji obdelavi ne podaljšujte svoje izpostavljenosti soncu, na primer s sončenjem, uporabo solarija ali samoporjavitvenimi izdelki.
- Po obdelavi vzdržujte območje čisto in suho ter, da ima koža dovolj vlage.
- Dokler je na koži rdečica ali dokler koža ni običajno občutljiva, ne uporabljajte vročih kopeli, prhe, turške ali finske savne.
- Med tretmajem se ne depilirajte (voskanje, puljenje, depilacija z nitko ali depilacijske kreme) – britje je sprejemljivo, če se izognete britju v 24 urah po zadnji obdelavi.
- 4 ur po obdelavi ne uporabljajte belilnih krem ali odišavljenih izdelkov.

ŽARNICA S 300.000 BLISKI

- Žarnica bo oddala 300.000 bliskov v svoji življenjski dobi.
- Garantiramo, da bo žarnica v tej napravi delovala celotno garancijsko obdobje, kot je navedeno v garancijski izjavi, priloženi temu izdelku.
- Ko žarnica doseže 99 % svoje možne življenjske dobe, bo med vklopom ena od LED-lučk ob strani ročne enote zasvetila rdeče.
- Ko je potekla življenjska doba žarnice, naprave ne boste mogli več uporabljati.

SLOVENŠČINA

ČIŠČENJE NAPRAVE i-LIGHT

◆ **POZOR:** Pred čiščenjem naprave i-LIGHT poskrbite, da je naprava izključena in da je napajalni kabel odklopljen iz naprave.

Redno čiščenje pomaga zagotoviti optimalne rezultate in dolgo življenjsko dobo naprave.

- Za čiščenje okna bliskavice uporabite samo krpico, ki ne pušča kosmov, priloženo vaši napravi i-LIGHT. Pazite, da ne opraskate ali okrušite okna bliskavice. Opraskano in okrušeno okno lahko zmanjša učinkovitost enote.
- Pri trdovratnih madežih na oknu bliskavice navlažite bombažno palčko z medicinskim alkoholom ali čistilnim alkoholom, nanesite na okno bliskavice in nežno očistite s priloženo krpico, ki ne pušča kosmov.
 - ◆ **OPOZORILO:** Če je okno za bliskanje počeno ali zlomljeno, enote ne smete uporabljati. Nikoli ne praskajte filterskega stekla ali kovinske površine v notranjosti glave za obdelavo.
 - ◆ **POZOR:** Sistem i-LIGHT je visokonapetostna naprava. Naprave nikoli ne potopite v vodo. Enote ali katerega koli od njenih delov nikoli ne čistite pod tekočo vodo ali v pomivalnem stroju.

Skladiščenje

Izklopite napravo, jo odklopite in pustite, da se hladi 10 minut.

ODPRAVLJANJE NAPAK

- Pred uporabo sistema i-LIGHT vedno v celoti preberite ta navodila.
- Preberite ta navodila za odpravljanje težav, če imate kakršne koli težave s sistemom i-LIGHT, saj so v tem razdelku navedene najpogostejše težave, na katere lahko naletite pri uporabi sistema i-LIGHT. Če ste sledili navodilom v tem razdelku in imate še naprej težave, se obrnite na servisni center Remington® za dodatno pomoč.

Stikalo za vklop je vključeno, vendar enota ne deluje.

- Električno vtičnico.
- Poskusite preklopiti na drugo vtičnico.

Enota je videti razpokana ali polomljena.

- Enote ne uporabljajte, če je poškodovana. Če imate pomisleke o uporabi enote, je ne uporabljajte več in se obrnite na servisni center Remington® za dodatno pomoč.

Napravo sem VKLOPILA, a ne morem spremeniti načina.

- Poskusite ponastaviti enoto, tako da jo izklopite in počakate nekaj sekund pred ponovnim vklopom.

Opazite nenavaden vonj.

- Pred obdelavo poskrbite, da je površina popolnoma obrita.

Obdelana območja postanejo po obdelavi rdeča.

- To je povsem običajno in rdečica bo kmalu izginila. Če ne, izberite občutljivi način.

OPOMBA: Če se naprava i-LIGHT preveč segreje, bo prešla v način čakanja. V načinu čakanja se bodo LED-lučke ob strani ročne enote pričele prižigati ena za drugo. Počakajte nekaj minut, da se ročna enota ohladi. Naprave ni treba ugasniti, saj se bodo LED-lučke prenehale prižigati, ko je naprava ponovno pripravljena na uporabo.

POGOSTA VPRAŠANJA

- Celoten seznam pogostih vprašanj in odgovorov najdete na spletni strani www.remington-ilight.com).

V: Na katerih delih telesa lahko uporabim napravo i-LIGHT?

O: Napravo i-LIGHT lahko uporabljajo tako moški, kot ženske na območjih pod vratom, vključno z nogami, pazduhami, bikini predelom, rokami, prsmi in hrbtom. Ženske lahko napravo uporabijo tudi na obraznih dlačicah pod ličnicami.

V: Kakšna tveganja obstajajo pri uporabi naprave i-LIGHT? Je varna?

O: Naprava i-LIGHT je preverjeno varna in učinkovita, vendar je treba kot pri vsaki električni napravi prebrati in upoštevati navodila za upravljanje in varnostna opozorila.

- V: Je intenzivna pulzirajoča svetloba (IPL) ob dolgotrajni uporabi nevarna za kožo?
- O: Poročila o stranskih učinkih ali poškodbah kože ob dolgotrajni uporabi intenzivne pulzirajoče svetlobe (IPL) ne obstajajo.
- V: Zakaj moje dláčice rastejo kljub obdelavam?
- O: Rezultati niso vidni takoj in se lahko razlikujejo od posameznika do posameznika. Večina uporabnikov bo opazila manj dláčic čez teden ali dva po začetku obdelave. V tem času je lahko videti, kot da dláčice še vedno rastejo, vendar se v resnici izrivajo. Dláčice rastejo v tristopenjskem ciklu, ki traja 18-24 mesecev. Samo dláčice na aktivni stopnji rasti so primerne za obdelavo, zaradi tega je potrebnih več obdelav za najboljši rezultat. Drugi razlog za nadaljnjo rast je lahko ta, da ste med obdelavo tisti predel izpustili. Ko opazite ponovno rast, ponovite program obdelave.
- V: Zakaj ne morem uporabiti naprave i-LIGHT po sončenju?
- O: Izpostavljenost soncu tvori visoke količine melanina in koža je zaradi tega bolj nagnjena k nastanku opeklin ali mehurjev po obdelavi.
- V: Ali potrebujem zaščito za oči med uporabo naprave i-LIGHT?
- O: Naprava ne škoduje očem, saj ima vdelan varnostni sistem, ki preprečuje nenamerno bliskanje, ko naprava ni v stiku s kožo. Majhna količina svetlobe, ki se odda med obdelavo, je podobna bliskavici fotoaparata in ne škoduje očem. Posebej zasnovani nastavka za obdelavo za obraz zmanjšata uhajanje svetlobe. Če je odbita svetloba neprijetna, lahko pred vsakim bliskom zaprete oči.

RECIKLIRANJE



Za preprečitev okoljskih in zdravstvenih težav zaradi nevarnih snovi naprav in polnilnih in navadnih baterij, označenih z enim od teh simbolov, ni dovoljeno odstraniti med nesortirane komunalne odpadke. Električne in elektronske izdelke in, kjer velja, tudi polnilne in navadne baterije odstranite na ustreznem uradnem mestu za recikliranje/zbiranje.

HRVATSKI JEZIK

Hvala vam na kupnji Vašeg novog Remington® proizvoda. Molimo pažljivo pročitajte ove upute i sačuvajte ih na sigurnom. Uklonite svu ambalažu prije uporabe.

VAŽNE SIGURNOSNE MJERE

- Ovaj uređaj ne smiju koristiti osobe ispod 18 godina starosti i osobe sa smanjenim fizičkim, osjetilnim ili mentalnim sposobnostima ili nedostatkom iskustva i znanja, osim ako su pod nadzorom i razumiju upute te su svjesni potencijalne opasnosti. Djeca se ne smiju igrati s aparatom. Čišćenje i održavanje ne smije obavljati maloljetnik mlađi od 18 godina.
- Držite aparat i kabel izvan dohvata djece mlađe od 8 godina.
- Nemojte koristiti proizvod s oštećenim kabelom. Zamjenu možete dobiti putem naših međunarodnih servisnih centara.
- ⚠ Tijelo ovog uređaja se ne smije prati i nije otporno na vodu. Nemojte stavljati uređaj u tekućinu; nemojte ga koristiti u blizini vode u kadi, umivaoniku ili drugim posudama; nemojte ga koristiti na otvorenom.
- Postoji mogućnost emitiranja opasnog optičkog zračenja iz ovog proizvoda. Nemojte gledati izvor svjetla koji može biti štetan za oči.
- Uređaj rabite samo za namijenjenu uporabu kako je opisano u ovom priručniku.
- Nemojte koristiti uređaj ako je oštećen ili neispravan.
- Ne ostavljajte uređaj bez nadzora dok je uključen u struju.
- Držite utikač i kabel daleko od zagrijanih površina.
- Nemojte koristiti druge nastavke osim onih koje ste dobili s uređajem.
- Nemojte uvrtati ili savijati kabel i nemojte ga namatati oko uređaja.
- Nemojte priključivati ili izvlačiti utikač iz utičnice mokrim rukama.
- Ovaj uređaj nije namijenjen za komercijalnu ili profesionalnu uporabu.

Prije nego što počnete koristiti i-LIGHT:

Obavezno pročitajte sva upozorenja i sigurnosne informacije. Prije početka tretmana, provjerite je li uređaj i-LIGHT prikladan za Vas.

Koristite kartu kože i dlaka koja se nalazi na prednjem dijelu ovog priručnika i integrirani senzor za kožu kako biste odredili je li ovaj uređaj prikladan za vas (Sl. 1).

UPOZORENJE: uređaj i-LIGHT nije prikladan za vrlo tamnu ili crnu kožu. Uređaj i-LIGHT ne djeluje na svijetlu ili sijedu dlaku i slabije djeluje na plavu i crvenu dlaku.

Za uporabu na licu: Prikladan samo za dlake ženskog lica na obrazima, zaliscima, bradi, području vrata i iznad usana (Sl. 2).

NEMOJTE koristiti na očima, obrvama ili trepavicama. Čineći to može se prouzrokovati teška i stalna ozljeda očiju.

Tip kože

- Ne koristite na prirodno tamnoj koži, jer bi tretman mogao uzrokovati opekline, mjehure i promjene boje kože.
- Ne koristite na potamnjeloj koži ili nakon nedavnog izlaganja suncu, jer bi tretman mogao uzrokovati opekline ili ozljede kože.
- i-LIGHT ne djeluje na prirodno bijelu, sijedu, plavu ili crvenu dlaku tijela ili lica.

Područja koja se ne smiju tretirati:

- Ne koristite na koži lubanje ili ušiju.
- Ne koristite na muškom licu ili vratu.
- Ne koristite iznad jagodične kosti (ženskom).
- Ne koristite na bradavicama, areolama bradavica ili genitalijama.
- Ne koristite na područjima s tetovažama ili trajnom šminkom.
- Ne koristite na tamnosmeđim ili crnim mrljama kao što su mladeži ili pjege.
- Ne koristite na području koje je nedavno operirano, podvrgnuto dubinskoj dermoabraziji, laserskom uklanjanju bora (tzv. resurfacing), na području ožiljaka ili na koži oštećenoj opeklinama ili smrzotinama.

Kada ne koristiti/Kada izbjegavati korištenje uređaja i-LIGHT

- NE koristite ako je područje kože koje namjeravate tretirati potamnijelo, jer Vaša koža može biti previše tamna, a tretman na potamnijelim područjima može uzrokovati privremene otekline kože, mjehuriće ili može promijeniti boju Vaše kože. Sačekajte dok Vaš preplanuli ten ne izbledi prije nego što počnete s tretmanom.
- NE koristite na koži na koju ste nanijeli kozmetičke preparate, jer tretman tih područja može uzrokovati privremene otekline kože, mjehuriće ili može promijeniti boju Vaše kože. Prije uporabe, provjerite jeste li temeljito očistili područje koje namjeravate tretirati.
- NE bljeskajte na istu točku više puta tijekom iste sesije, jer to može uzrokovati privremene otekline kože, mjehuriće ili može promijeniti boju Vaše kože.
- NE tretirajte bilo koje područje više od jednom tjedno, jer time nećete ubrzati rezultate, ali biste mogli povećati mogućnost pojave oteklina kože, mjehurića ili promjene boje kože.
- NE koristite na oštećenoj koži, uključujući kožu s otvorenim ranama, herpesom labialisom, opeklinama od sunca ili na područjima na kojima je vršena dermoabrazija ili neka druga procedura laserskog uklanjanja bora (tzv. resurfacing) u zadnjih 6-8 tjedana.
- NE koristite na iritiranoj koži, uključujući kožu s osipom ili oteklinama. Ta stanja kože mogu je učiniti osjetljivijom. Sačekajte da to područje ozdravi prije uporabe uređaja.
- NE koristite ako vam je koža osjetljiva na svjetlo. Kako biste odredili možete li koristiti i-LIGHT, isprobajte ga na malom dijelu kože i pričekajte 24 sata da biste utvrdili ima li negativnih reakcija, prije nego što počnete s tretmanom šireg područja.
- NE koristite ga ako ste trudni, ako postoji mogućnost da ste trudni ili ako dojite. i-LIGHT nije ispitan na trudnicama. Zbog uobičajenih hormonalnih promjena u trudnoći i tijekom dojenja, moguća je povećana osjetljivost kao i rizik od ozljeđivanja kože.
- NE bljeskajte naspram bilo kakvog materijala koji nije koža.
- NE koristite i-LIGHT u bilo koju svrhu drukčiju od uklanjanja dlaka.
- NE tretirajte bilo koje područje na kojem biste možda jednog dana ponovno željeli imati dlake. Rezultati bi mogli biti stalni i nepovratni.
- Ne koristite na licu ako u anamnezi imate herpes labialis; uporaba intenzivnog pulsno svjetla ili bilo kojeg tretmana koji iritira kožu može uzrokovati povratak herpesa labialisa.
- Ako provodite profesionalne, kliničke ili samostalne tretmane uklanjanja dlaka laserskim putem, intenzivnom pulsnom svjetlošću ili elektrolizom, pričekajte najmanje 6 mjeseci prije uporabe uređaja i-LIGHT. Ako ste vršili uklanjanje dlaka voskom, čupanjem ili epilacijom, pričekajte najmanje 6 tjedana prije uporabe uređaja i-LIGHT. Uređaj djeluje na dlaku pod kožom kako bi onesposobio rast dlake od korijena; stoga neće biti učinkovit ako je dlaka izvučena.
- Ne koristite na ili blizu područja s bilo kakvim umjetnim umecima kao što su silikonski implantati, kontracepcijski implantati Implanon, elektrostimulatori srca (pacemaker), mjesta gdje dobivate subkutane injekcije (dozator insulina) ili imate piercing.
- Lako tijekom studija nisu zabilježeni nikakvi problemi vezani za uporabu ovog uređaja, preporučujemo da se pridržavate svih upozorenja implantabilnih medicinskih naprava koja se odnose na uporabu električnih uređaja, kako bi se spriječili kvarovi ili prekid rada aktivne implantabilne naprave.
- Oprema za wireless komunikaciju može utjecati na uređaj i-LIGHT i mora se držati na udaljenosti od najmanje 3,3 m.
- Ne koristite preko ili u blizini malih metalnih dijelova, zubnih implantata ili aparata za zube..

**GLAVNA OBILJEŽJA (SL. 3)**

- | | |
|---------------------------------------------------|-----------------------------------------|
| 1. Prekidač | 10. Kabel tijela uređaja |
| 2. Utičnica | 11. Prozorčić za bljesak |
| 3. Jedinica napajanja | 12. Prozorčić za bljesak |
| 4. Tijelo uređaja | 13. Kapica za tretman tijela |
| 5. ✦ Snažni način tipka za aktivaciju bljeska | 14. Kapica za tretman lica |
| 6. ✎ Osjetljivi način tipka za aktivaciju bljeska | 15. Električni kabel |
| 7. ⚡ Ekspresni način tipka za aktivaciju bljeska | 16. Krpica koja ne ostavlja dlačice |
| 8. LED indikatorska svjetla | 17. Kozmetička torbica (Nije prikazana) |
| 9. Senzor tona kože | |

HRVATSKI JEZIK

PRIJE POČETKA

Savijte prednju i stražnju stranicu ovih uputa za uporabu tako da možete imati pri ruci crteže dok čitate. Prilikom prve uporabe i-LIGHT uređaja budite strpljivi; možda će Vam upoznavanje s proizvodom malo potrajati, kao što je to slučaj sa svakim novim proizvodom. Upoznajte se sa svojim i-LIGHT uređajem postepeno i sigurni smo da će vam donijeti veliko zadovoljstvo kroz dugogodišnju uporabu.

UPOZNAVANJE S UREĐAJEM i-LIGHT

Što je i-LIGHT?

i-LIGHT sustav je revolucionarni uređaj na bazi svjetlosti, namijenjen za kućnu uporabu za uklanjanje neželjenih dlaka s tijela i dlaka ženskog lica.

i-LIGHT koristi klinički provjerenu tehnologiju sličnu onoj koju koriste profesionalni dermatolozi i saloni, optimiziranu za osobni tretman.

Što je intenzivna pulsna svjetlost (IPL) i kako radi i-LIGHT?

IPL – (Intenzivna pulsna svjetlost) je dobro afirmirana tehnologija koja se koristi u cijelom svijetu već više od 15 godina. i-LIGHT koristi tu tehnologiju za bljeskanje kože intenzivnom pulsnom svjetlošću.

Puls djeluje ispod površine kože, na korijen dlaka, zaustavljajući njihov rast. (Sl. 4)

Energija pulsne svjetlosti ima za cilj tamne boje; stoga se najbolji rezultati primjećuju na tamnijim dlakama.

Uređaj i-LIGHT namijenjen je za uporabu na svijetlim, srednjim i tamnim tonovima kože (tonovi kože I-V).

Što se može očekivati od uređaja i-LIGHT

Rezultati nisu trenutačni i individualni rezultati su različiti. Većina korisnika počet će primjećivati smanjenje broja dlaka 1-2 tjedna nakon početka tretmana. Tijekom ovog vremena, može izgledati da dlaka još uvijek raste, ali se ona u stvari 'izbacuje' (sl. 5).

Dlaka raste u ciklusu koji se sastoji od 3 različite faze, a čitav ciklus traje od 18 do 24 mjeseca (sl. 6). Tretirati se mogu samo dlake u aktivnoj fazi rasta i to je razlog zbog kojeg je za postizanje optimalnih rezultata potrebno više tretmana. Važno je nastaviti s kompletnim režimom tretmana i dopunskim tretmanima kako bi se osigurao tretman svake aktivne dlake.

Režim tretmana

Kompletni režim tretmana radi se jednom svaka dva tjedna za tri tretmana. Individualni rezultati mogu biti različiti: za postizanje optimalnih rezultata može biti potrebno obaviti više tretmana. Dlake koje će u određenoj mjeri ponovo izrasti bit će rjeđe, tanje i svjetlije boje od prijašnjih dlaka. Takav ponovni rast je savršeno normalan i očekivan. Nakon kompletiranja punog režima tretmana, dopunski tretmani jednom svaka četiri tjedna će omogućiti još bolje rezultate. Kontinuiranim redovitim tretmanom svaka četiri tjedna postižu se dobri rezultati u roku od 8 do 12 tjedana (pa i više ako je koža tamnija). Nemojte koristiti uređaj više od jednom svaka dva tjedna. NAPOMENA: trebate izbjegavati tretiranje istog područja više puta tijekom istog tretmana, jer se time neće poboljšati učinkovitost već će se povećati rizik od iritacije kože.

UPOZNAJTE SE S VAŠIM UREĐAJEM i-LIGHT

Prozorčić za bljesak s ugrađenim UV filtrom (Sl. 7)

UPOZORENJE: prije uporabe uvijek provjerite prozorčić za bljesak kako biste utvrdili da nema oštećenja na leći.

UPOZORENJE: prije uporabe prozorčić za bljesak uvijek očistite krpicom koja ne ostavlja dlačice kako biste s leće uklonili ulje ili neke druge ostatke.

Senzor kontakta s kožom (Sl. 8)

Ovaj sigurnosni mehanizam sprečava nehотиčni bljesak. Uređaj neće treptati dok oba senzora kontakta s kožom nisu u potpunom kontaktu s kožom.

Snažni način, Osjetljivi način i Ekspresni način (Sl. 9)

Sve tipke za Snažni način, Osjetljivi način i Ekspresni način nalaze se na tijelu uređaja.

Ispitivač tona kože (Sl. 10)

Dozvoljava uporabu samo na prikladnim tonovima kože.

Nastavci:

Kapica za tretman tijela za velike površine ispod vrata (Sl. 11).

Kapica za precizni tretman za manja područja ženskog lica kao što su obrazi, zalisci, brada, područje vrata i iznad usne (Sl. 12).

Otpuštanje nastavka (Sl. 13)

Kako biste otpustili kapicu za tretman, uhvatite je na prikazanim mjestima i odlučno je povucite van. Kod vraćanja kapice na mjesto, magneti će vam pomoći da poravnate kapicu u mjestu.

PRIPREMA ZA UPORABU**PRIPREMITE KOŽU ZA TRETMAN**

- Područje koje namjeravati tretirati mora biti čisto, bez ostatka ulja, dezodoransa, parfema, šminke, losiona i krema. Obrijte ili ošišajte dlake na području koje ćete tretirati i uvjerite se da je koža čista i suha.
- Za uporabu na licu, možda će vam biti pogodnije ošišati dlake. Ako ih uklanjate šišanjem, dlaka ne smije biti duža od 0,5 mm.
- Ne koristite vosak, epilator, pincetu ili druge metode za uklanjanje dlaka iz korijena, jer IPL nije učinkovit ako je dlaka izvučena.

PRIPREMA I-LIGHT UREĐAJA ZA UPORABU

- Utaknite električni kabel u zidnu utičnicu.

PROVJERITE SVOJ TON KOŽE

- Za određivanje je li vaš ton kože prikladan za uporabu s uređajem, usporedite vašu kožu u odgovarajućim područjima tretmana s Kartom tonova kože na prednjem dijelu ovog priručnika (Sl. 1).
- Ako vaša koža odgovara svijetlim, srednjim ili tamnim tonovima kože (Skin Tones) na Karti tonova kože (I-V), možete koristiti ovaj uređaj i-LIGHT.
- Ako koža u području u kojem namjeravate vršiti tretman odgovara najtamnijem tonu kože na Karti tonova kože NEMOJTE koristiti uređaj (Ton kože VI - Skin Tone VI).
- Ovaj uređaj i-LIGHT ima ugrađeni ISPITIVAČ TONA KOŽE na glavnom dijelu za tretman koji je namijenjen sprečavanju nehotičnog bljeskanja na koži koja je previše tamna za tretman.
- Ako je vaša koža prikladna za tretman, uređaj i-LIGHT će bljesnuti i LED svjetla sa strane tijela uređaja će se osvijetliti bijelom bojom. Broj osvijetljenih svjetala označava vaš ton kože.
- Ako je vaša koža previše tamna za tretman, pojavit će se treperenje male snage kojemu će slijediti četiri zvučna signala „bip“ i paljenje crvenog LED svjetla sa strane tijela uređaja.
- Ako smatrate da je vaša koža prikladna na osnovu Karte tonova kože (Sl. 1), ali uređaj treperi i nakon čega slijede četiri zvučna signala, pokušajte s drugim područjem za tretman.

ISPROBAJTE UREĐAJ I-LIGHT NA KOŽI

Prije prvog kompletnog tretmana isprobajte uređaj i-LIGHT na malom dijelu kože i pričekajte 24 sata da biste se uvjerali da nema negativnih reakcija.

1. Postavite tijelo uređaja i-LIGHT na kožu tako da prozorčić za bljesak bude poravnat s površinom kože.
2. Provjerite naliježu li Senzori kontakta s kožom u cijelosti i svijetle li bijelom bojom LED svjetla.
3. Odaberite željeni način i pritisnite tipku kako biste aktivirali bljesak.
SAVJET: Normalno je osjećati blagu do umjerenu neugodu; stoga ćete možda željeti početi s Osjetljivim načinom i preći na Snažni način samo kad to osjećate ugodnim.
4. Pričekajte 24 sata i potom pogledajte testirano područje. Ako koža izgleda normalna, nastavite s prvim kompletnim tretmanom uz razinu intenziteta koji ste ustanovili da Vam odgovara.
NAPOMENA: morate isprobati uređaj na svakom području lica ili tijela koje želite tretirati.

ODABIR NAČINA RADA

- Integrirani ISPITIVAČ TONA KOŽE na glavnom dijelu za tretman postaviti će odgovarajuću razinu snage za svaku postavku na osnovu registriranog tona kože.
- Ovaj uređaj i-LIGHT ima tri različita načina rada: Snažni način (Puna snaga), Osjetljivi način i Ekspresni način. Kad se jedinica UKLUJUČI bit će u Snažnom načinu. Jedinica će bljeskati otprilike svake 3 sekunde u Snažnom načinu i Osjetljivom načinu, a manje od 1 sekunde u Ekspresnom načinu.



HRVATSKI JEZIK

Snažni način ✨

Snažni način (Puna snaga) pruža najveće razine snage koji su odgovarajući za vas. Ovaj način idealan je za tretman i velikih i manjih područja i pruža bolje rezultate. Snažni način će vam pružiti najbolje rezultate uklanjanja dlaka u manjem broju tretmana, ali može biti manje ugodan.

Osjetljivi način 🍃

Osjetljivi način prikladan je za osobe kojima je Snažni način previše intenzivan. Osjetljivi način je manje snažni način i prikladan je za osobe koje su osjetljive na nelagodu, ali ipak žele ukloniti neželjene dlake. Ovim načinom možda ćete morati izvršiti nekoliko dodatnih tretmana kako biste dobili željene rezultate.

Ekspresni način ⚡

Ekspresni način pruža korisniku opciju bržeg vršenja tretmana. Ovim načinom možete brže tretirati veća područja, ali to može biti manje učinkovito i bit će potrebno nekoliko dodatnih tretmana kako biste vidjeli željene rezultate.

NAPOMENA: Kad god je uređaj uključen, automatski je postavljen na tvorničku postavku Snažnog načina (Puna snaga).

- Ako želite odabrati neki drugi način, pritisnite željenu tipku kako bi se osvijetlila.
- Kad ste odlučili i odabrali način rada koji vam odgovara, čvrsto postavite prozorčić za tretman naspram kože.
- Uređaj je sad spreman za prvi bljesak. Za deaktivaciju Osjetljivog ili Ekspresnog načina, jednostavno ponovo pritisnite odabranu tipku i jedinica će se vratiti natrag na Snažni način samo s osvijetljenom Tipkom za aktivaciju bljeska.

TRETMAN

IZMJENA NASTAVAKA

- Vaš uređaj i-LIGHT opremljen je s dvije odvojene Kapice za tretman:
- Kapica za tretman tijela koristi se za veća područja kao što su dlake tijela.
- Kapica za precizni tretman namijenjena je za uporabu na manjim područjima kao što su dlake ženskog lica, područja pazuha i bikini zona.

Za izmjenu nastavaka:

UPOZORENJE: prije uklanjanja Kapice za tretman provjerite je li uređaj ISKLJUČEN i električni kabel izvučen.

- Prije nego što počnete s promjenom Kapice za tretman ostavite sustav da se ohladi 5 minuta.
1. ISKLJUČITE prekidač i izvucite električni kabel iz električne utičnice.
 2. Držite uređaj jednom rukom, a drugom lagano povucite Kapicu za tretman (Sl. 13).
NAPOMENA: Kapice za tretman se magnetom zadržavaju na uređaju i trebale bi se lako izvući.
SAVJET: Stavite nerabljenu Kapicu za tretman na sigurno mjesto (kao npr. u pakiranje) pazeći da ne oštetite prozorčić za bljesak i ostale komponente.
 3. Lagano gurnite drugu Kapicu za tretman natrag na uređaj i uvjerite se da se uklopila na mjesto uz klik.

Način vršenja tretmana:

1. Postavite prozorčić za bljesak čvrsto naspram kože; uvjerite se da senzori kontakta s kožom naliježu u cijelosti. Ako su Senzori kontakta s kožom potpuno u kontaktu s kožom, tipka za aktivaciju bljeska na uređaju pulsirat će bijelom bojom i LED svjetla sa strane tijela uređaja će svijetliti označavajući da je uređaj spreman za bljesak.
NAPOMENA: Ako Senzori kontakta s kožom NISU potpuno u kontaktu s kožom, ako pritisnete Tipku za aktivaciju bljeska, uređaj neće raditi i oglasit će se zujanje. Još jednom provjerite ima li Sensor kontakta s kožom potpuni kontakt s kožom.
2. Pritisnite tipku za aktivaciju bljeska kako biste aktivirali bljesak. Očekujte svijetli bljesak svjetla (sličan bljeskalici fotoaparata) i trebali biste imati blagi osjećaj topline.
3. Pomjerite uređaj na drugo područje i obavljajte tretman prema mrežastom uzorku kako bi se osigurala potpuna pokrivenost tretiranog područja.
 - Za način rada s jednim bljeskom, pritisnite tipku za aktivaciju bljeska svaki put kad se pomaknete na sljedeće područje.
 - Za način rada s više bljeskova, držite prst na tipki za aktivaciju bljeska kako biste ju držali pritisnutom i klizite na sljedeće područje provjeravajući da senzori kontakta s kožom naliježu u cijelosti. Sljedeći bljesak će se automatski pojaviti nakon 3 sekunde (u Načinu pod punom snagom).

- Tijekom načina rada s više bljeskova, ako otpustite tipku za aktivaciju bljeska ili izgubite kontakt s kožom, jednostavno nastavite s tretmanom tako što ćete ponoviti gornje korake.

Tretman lica (samo za žensku uporabu)

Dlake lica mogu biti vrlo različite od dlaka tijela, a koža lica je osjetljivija i više je izložena sunčevim zrakama; stoga je tretman neželjenih dlaka na licu drugačiji od tretmana tijela. Prije započinjanja tretmana lica, molimo vas da pažljivo pročitate odjeljak Upozorenja i mjere predostrožnosti.

VAŽNO: Kapica za precizni tretman posebno je dizajnirana za tretman ženskih dlaka lica koje imaju posebne karakteristike. NE koristite Kapicu za tretman tijela na licu. Za dodatne informacije pogledajte odjeljak „Izmjena nastavaka“. Kapica za precizni tretman namijenjena je isključivo za dlake ženskog lica na obrazima, zaliscima, bradi, području vrata i iznad usana. (Sl. 2).

NE koristite na muškim bradama ili dlakama na licu, jer bi rezultati mogli biti permanentni ili nejednaki i time bi se mogle stvoriti neželjene promjene karakteristika lica.

SAVJETI U VEZI TRETMANA

Tretman tijela

- Za postizanje najboljih rezultata, izbjegavajte preklapanje bljeskova. Na taj način sprječava se izloženost većoj količini energije od one koja je potrebna za suzbijanje rasta dlaka.
- Time se također omogućuje maksimalno iskorištavanje žarulje.
- Za postizanje najučinkovitijih rezultata uvijek koristite najvišu razinu intenziteta koja neće uzrokovati neugodu na koži. Razinu koju koristite trebali biste osjećati kao toplinu na koži, ali nikako ne bi smjela uzrokovati neugodu.
- Tijekom tretmana možda ćete zamijetiti veću osjetljivost na područjima s izraženim kostima, kao što su laktovi, goljenice i gležnjevi. To je normalno i ne bi trebalo biti znak za alarm. Da biste izbjegli povećanu osjetljivost, tijekom tretmana pokušajte malo podići kožu s područja kosti.

Tretman lica

- Izvršite provjeru na malom dijelu kože – budući da je koža lica osjetljivija, prije nego što nastavite s radom pazite da izvršite provjeru na malom dijelu kože. Detalje možete naći u odjeljku 'Isprobajte uređaj i-LIGHT na koži'.
- Koristite zrcalo za usmjeravanje vaših tretmana; uporaba zrcala služi za dobar pregled područja koje namjeravati tretirati i kao pomoć u izbjegavanju tretiranja usana ili bilo kojih drugih tamnih mrlja. Ako je reflektirano svjetlo neugodno, možete zatvoriti oči prije svakog bljeska.
- Zategnite kožu za dobivanje boljeg kontakta - konture lica mogu otežati potpuni pritisak senzora kontakta s kožom u određenim područjima. Kako biste dobili bolji kontakt s kožom možda je jednostavnije usnice prevući preko gornjih zuba ili jezikom zategnuti obraze.

NJEGA NAKON TRETMANA

Nakon tretmana, moguća je pojava laganog crvenila ili osjećaja topline na koži. To je normalno i brzo će nestati. Da biste izbjegli iritacije kože nakon tretmana, poduzmite sljedeće mjere:

- Izbjegavajte izlaganje suncu 24 sata nakon tretmana. Zaštitite kožu faktorom SPF 30 tijekom 2 tjedna nakon svakog tretmana.
- Ne produljujte izlaganje suncu primjerice sunčanjem, koristeći solarij, ili preparate za samotamnjenje najmanje 2 tjedna nakon posljednjeg tretmana.
- Nakon tretmana, održavajte područje čistim suhim i kako biste hidratizirali kožu.
- Ne kupajte se i ne tuširajte se vrućom vodom i ne koristite kabine s parnim tuševima i saune dok se koža s bilo kakvim crvenilom ili osjetljivošću nije vratila u normalno stanje.
- Ne depilirajte se (voskom, čupanjem, depilacijom koncem ili kremama) tijekom tretmana – brijanje je prihvatljivo samo ako ga ne izvodite 24 sata nakon svakog tretmana.
- Ne koristite kreme za izbjeljivanje ili parfimirane proizvode 24 sata nakon tretmana.



HRVATSKI JEZIK

ŽARULJA S 300.000 BLJESKOVA

- Žarulja će tijekom svog radnog vijeka izvršiti 300.000 bljeskova
- Rad žarulje u ovom uređaju zajamčen je tijekom cijelog jamstvenog roka kao što je navedeno u jamstvenom listu isporučenim s ovim proizvodom.
- Kad žarulja dostigne 99% svog mogućeg radnog vijeka, jedno od LED svjetala sa strane tijela uređaja će se osvijetliti crvenom bojom tijekom uključivanja.
- Kad je vijek trajanja žarulje došao do kraja više nećete moći koristiti uređaj.

ČIŠĆENJE UREĐAJA i-LIGHT

◆ **OPREZ:** Prije čišćenja uređaja i-LIGHT provjerite je li uređaj ISKLJUČEN i kabel za napajanje izvučen iz uređaja.

Redovito čišćenje pomaže postizanju optimalnih rezultata i dugog vijeka uređaja.

- Da biste očistili prozorčić za bljesak upotrijebite samo krpicu koja ne ostavlja dlačice koju ste dobili s uređajem i-LIGHT. Pazite da ne ogrebete ili oljuštite prozorčić za bljesak. Ogrebotine i oljuštena mjesta mogu smanjiti učinkovitost jedinice.
- Za tvrdokorne mrlje na prozorčiću za bljesak, natopite štapić s vatom medicinskim alkoholom, nanesite na prozorčić za bljesak i nježno obrišite priloženom krpicom koja ne ostavlja dlačice.
 - ◆ **UPOZORENJE:** ako je prozorčić za bljesak napuknut ili slomljen, jedinica se ne smije koristiti. Nikad ne grebite po filternom staklu ili metalnoj površini unutar glavnog dijela za tretman.
 - ◆ **OPREZ:** i-LIGHT je visokonaponski uređaj. Nikad ga ne uranjajte u vodu. Nikad ne čistite uređaj ili bilo koji njegov dio pod tekućom vodom ili u perilici posuđa.

Spremanje

Isključite jedinicu, izvucite električni kabel iz utičnice i ostavite jedinicu da se ohladi 10 minuta prije spremanja.

RJEŠAVANJE PROBLEMA

- Prije uporabe uređaja i-LIGHT uvijek u cijelosti pročitajte ove upute.
- U slučaju bilo kakvih problema s uređajem i-LIGHT, u ovom vodiču za uklanjanje smetnji pronaći ćete moguća rješenja za većinu najčešćih problema na koje možete naići tijekom uporabe uređaja i-LIGHT. Ako unatoč tomu što ste slijedili upute u ovom odjeljku i dalje postoje problemi, molimo vas da se za daljnju pomoć obratite Remington® servisnom centru.

Prekidač je UKLJUČEN, ali jedinica ne radi.

- Provjerite da je jedinica priključena na električnu utičnicu.
- Pokušajte ju priključiti na drugu utičnicu.

Jedinica izgleda napuknuta ili slomljena.

- Ne koristite jedinicu ako je oštećena. U slučaju dvojbi u vezi s uporabom jedinice, prekinite uporabu i kontaktirajte Remington® servisni centar.

Jedinica je UKLJUČENA, ali ne mogu promijeniti Način.

- Pokušajte resetirati jedinicu tako da je isključite i pričekajte nekoliko sekundi prije ponovnog uključivanja.

Osjeća se čudan miris.

- Prije tretmana provjerite je li područje potpuno obrijano.

Tretirana područja nakon tretmana postaju crvena.

- To je normalno i crvenilo bi se trebalo postupno smanjiti. Ako se to ne dogodi, pokušajte preći na Osjetljivi način. **NAPOMENA:** U slučaju da uređaj i-LIGHT postane previše vruć, prebacit će se na način čekanja. Na načinu čekanja, 5 LED svjetala sa strane tijela uređaja počat će se osvijetljivati jedno za drugim. Pričekajte nekoliko minuta kako biste omogućili tijelu uređaja da se ohladi. Nema potrebe za isključivanjem uređaja: LED svjetla će prestati svijetliti kad je uređaj ponovno spreman za rad.

ČESTO POSTAVLJANA PITANJA

- Za puni popis često postavljanih pitanja posjetite (www.remington-ilight.com)

P: Koja područja tijela mogu tretirati uređajem i-LIGHT?

O: Uređaj i-LIGHT namijenjen je za korištenje na muškim i ženskim tijelima na područjima ispod vrata, uključujući noge, podlaktice, bikini zonu, ruke, prsa i leđa. Ženske osobe ga mogu isto tako koristiti za dlake lica ispod jagodične kosti.

P: Koji rizici postoje prilikom uporabe uređaja i-LIGHT? Je li siguran?

O: Ispitano da je uređaj i-LIGHT siguran i učinkovit ali, kao i kod svakog elektroničkog uređaja, važno je pročitati i pridržavati se uputa za rad i sigurnosnih upozorenja.

P: Je li IPL opasna za kožu nakon dugotrajne uporabe?

O: Nisu zabilježene nikakve popratne pojave ili oštećenja kože nakon dugotrajne uporabe intenzivne pulsne svjetlosti (IPL).

P: Zašto mi dlake rastu unatoč tretmanima?

O: Rezultati nisu trenutačni i individualni rezultati su različiti. Većina korisnika počet će primjećivati smanjenje broja dlaka 1-2 tjedna nakon početka tretmana. Tijekom ovog vremena, može izgledati da dlaka još uvijek raste, ali se ona u stvari 'izbacuje'.

Dlaka raste u ciklusu koji se sastoji od 3 različite faze, a čitav ciklus traje od 18 do 24 mjeseca. Tretirati se mogu samo dlake u aktivnoj fazi rasta i to je razlog zbog kojeg je za postizanje optimalnih rezultata potrebno više tretmana.

Drugi razlog za nastavljeni rast možda je u tome što tijekom tretmana neki dio kože nije tretiran. Ponovite tretman kad primijetite ponovni rast dlaka.

P: Zašto ne mogu koristiti i-LIGHT nakon nedavnog izlaganja suncu?

O: Izlaganje suncu uzrokuje prisutnost visokih razina melanina i izlaže kožu povećanom riziku od opekline ili mjehurića nakon tretmana.

P: Moram li nositi zaštitu za oči tijekom uporabe uređaja i-LIGHT?

O: Ne, uređaj nije štetan za oči. Uređaj i-LIGHT ima sigurnosni sustav koji sprečava slučajno bljeskanje kad uređaj nije u kontaktu s kožom. Mala količina svjetlosti koju uređaj emitira tijekom tretmana slična je onoj koju emitira bljeskalica fotoaparata i nije štetna za oči. Posebno dizajnirane Kapice za tretman smanjuju rasipanje svjetla na najmanju moguću mjeru. Ako je reflektirano svjetlo neugodno, možete zatvoriti oči prije svakog bljeska.

RECIKLAŽA



Kako bi se izbjegle štetne posljedice na okoliš i zdravlje zbog opasnih supstanci, uređaji i punjive i nepunjive baterije obilježene jednim od ovih simbola ne smiju se zbrinjavati kao nerazvrstani komunalni otpad. Uvijek odložite električne i elektroničke proizvode i, gdje je primjenljivo, punjive i nepunjive baterije, u odgovarajućem zvaničnom mjestu za sakupljanje/reciklažu.



УКРАЇНЬСЬКА

Дякуємо, що придбали продукцію компанії Remington®. Уважно прочитайте наведені інструкції та зберігайте їх у безпечному місці. Перед використанням виробу зніміть всі елементи пакування.

ВАЖЛИВІ ЗАХОДИ БЕЗПЕКИ

- Цей пристрій не повинен використовуватися будь-ким у віці до 18 років і особами з обмеженими фізичними, сенсорними або розумовими здібностями або з нестачею досвіду і знань, без нагляду, якщо вони не пройшли інструктаж і не розуміють небезпек, пов'язаних з використанням приладу. Діти не повинні грати з приладом. Очищення і обслуговування приладу не повинні виконувати особи молодше 18 років.
- Зберігайте пристрій та кабель до нього поза зоною досяжності дітей молодше 8 років.
- Не використовуйте пристрій, якщо його шнур пошкоджено. Заміну пристрою можна здійснити в міжнародних центрах обслуговування компанії.
- Виріб створює небезпечне випромінювання в оптичному діапазоні. Не дивіться на джерело світла, це може бути шкідливо для очей.
- ⊘ Корпус пристрою не призначений для миття та не має водовідштовхувальні властивості. Уникайте потрапляння пристрою до рідини; не експлуатуйте його поряд із водою у ванній кімнаті, біля басейну або інших резервуарів із водою; не експлуатуйте пристрій поза приміщенням.
- Використовуйте цей прилад лише за призначенням, як наведено в цій інструкції.
- Не використовуйте пристрій за наявності ознак пошкодження або несправності.
- Не залишайте пристрій без нагляду, якщо він під'єднаний до мережі живлення.
- Тримайте штекер та шнур живлення подалі від гарячих поверхонь.
- Не використовуйте інші насадки, окрім тих, що входять до комплекту пристрою.
- Не перекручуйте, не переламайте та не намотуйте кабель навколо пристрою.
- Не підключайте та не відключайте пристрій від мережі живлення вологими руками.
- Цей пристрій не призначено для комерційного використання або роботи в перукарнях.

Перед початком використання i-LIGHT:

Прочитайте всю інформацію про попередження і застережні заходи. Перед початком використання перевірте, чи підходить вам i-LIGHT.

Щоб визначити, чи підходить вам пристрій, скористайтеся палітрою тонів шкіри та волосся, наведеною на початку цієї інструкції, а також вбудованим датчиком шкіри (рис. 1).

ПОПЕРЕДЖЕННЯ: пристрій i-LIGHT не призначений для використання на дуже темній або чорній шкірі. Пристрій i-LIGHT неефективний для обробки світлого або сивого волосся та менш ефективний для білявого або рудого волосся.

Для використання на обличчі: призначено тільки для видалення волосся на щоках, скронях, підборідді, шиї та над губою в жінок (рис. 2).

НЕ використовуйте на очах, а також на бровах та віях. Це може призвести до серйозного пошкодження очей.

Тип шкіри

- Не використовуйте на темній від природи шкірі, оскільки це може призвести до виникнення опіків, пухирів і зміни кольору шкіри.
- Не використовуйте на засмаглій шкірі чи на шкірі, яка нещодавно піддавалася дії сонця, оскільки це може викликати опіки або ушкодження шкіри.
- i-LIGHT не є ефективним для усунення природно білого, сивого, білявого чи рудого волосся на тілі або обличчі

Ділянки, на яких процедури не проводяться:

- Не використовуйте на шкірі голови чи вух.
- Не використовуйте в чоловіків на шкірі обличчя або шиї.
- Не використовуйте вище за вилицю (жінок).
- Не використовуйте на сосках, навколососкових кільцях або статевих органах.
- Не використовуйте, якщо на ділянці, яка піддається обробці, є татування або перманентний макіяж.
- Не використовуйте на темно-коричневих або чорних місцях, таких як родимки, родимі плями чи веснянки.
- Не використовуйте на ділянках, де нещодавно проводилася хірургічна операція, глибокий пілінг, лазерне шліфування, а також на шрамах або шкірі, пошкодженій опіками.

Коли не можна/не слід використовувати i-LIGHT

- НЕ ВИКОРИСТОВУЙТЕ, якщо у вас засмагла шкіра на ділянці проведення процедури, оскільки ваша шкіра може бути занадто темною, і проведення процедури на засмаглих ділянках може тимчасово викликати опухлість, пухирі чи зміну кольору вашої шкіри. Перед проведенням процедури зачекайте, доки засмага зникне.
- Не використовуйте на шкірі з нанесеною косметикою, оскільки обробка таких ділянок може тимчасово викликати опухлість, пухирі чи зміну кольору вашої шкіри. Обов'язково ретельно очистіть відповідну ділянку шкіри, перш ніж використовувати на ній прилад.
- НЕ СПРЯМОВУЙТЕ імпульс декілька разів на одне місце впродовж одного сеансу, оскільки це може тимчасово викликати опухлість, пухирі чи зміну кольору вашої шкіри.
- НЕ ПІДДАВАЙТЕ одну ділянку обробці більше ніж раз на тиждень, оскільки це не пришвидшить досягнення результатів, але може збільшити ймовірність виникнення опухлості, пухирів або зміни кольору вашої шкіри.
- НЕ ВИКОРИСТОВУЙТЕ на пошкодженій шкірі, зокрема з відкритими ранами, герпесом, сонячними опіками, а також на ділянках, на яких проводився пілінг або інша процедура шліфування в межах останніх 6—8 тижнів.
- Не використовуйте на подразненій шкірі, зокрема на шкірі з висипом або опухлістю. Такі умови можуть зробити шкіру більш чутливою. Перед проведенням процедури дочекайтеся загоєння ураженої ділянки.
- НЕ ВИКОРИСТОВУЙТЕ, якщо ваша шкіра чутлива до світла. Щоб визначити, чи можна вам користуватися i-LIGHT, спробуйте на маленькій ділянці шкіри та зачекайте 24 години, щоб побачити, чи є будь-які несприятливі реакції, перш ніж обробляти більшу ділянку.
- НЕ ВИКОРИСТОВУЙТЕ в період вагітності, потенційної вагітності чи годування грудьми. i-LIGHT не перевірявся на вагітних жінках. Гормональні зміни є типовими впродовж вагітності чи годування грудьми та можуть підвищити чутливість шкіри, а отже і ризик її ушкодження.
- НЕ СПРЯМОВУЙТЕ імпульс на будь-який інший матеріал, окрім шкіри.
- НЕ використовуйте i-LIGHT з будь-якою іншою метою, крім видалення волосся.
- НЕ ПРОВОДЬТЕ процедуру на ділянці, якщо можете захотіти, щоб волосся там відросло знову. Результати можуть бути постійними та безповоротними.
- НЕ ВИКОРИСТОВУЙТЕ на обличчі, якщо у вас був герпес; використання IPL або будь-якої процедури, що викликає подразнення шкіри, може спричинити рецидив герпесу.
- Якщо у вас проводилася професійна, клінічна чи самостійна процедура усунення волосся з використанням лазера, IPL-технології чи методу електролізу, зачекайте щонайменше 6 місяців перед використанням i-LIGHT. Якщо ви усували волосся воском, вищипували або епілювали волосся на ділянці лікування, зачекайте щонайменше 6 тижнів перед використанням i-LIGHT. Пристрій використовує волосся під вашою шкірою, щоб блокувати його ріст у корені, тому це не ефективно, якщо волосся було витягнуто.
- Не використовуйте над або біля будь-чого штучного, як наприклад силіконові імплантанти, контрацептивні імплантанти Implanon, електрокардіостимулятори, порти підшкірного введення інсуліну (дозатори інсуліну) або пірсинг.
- Хоча під час досліджень не виявлено жодних проблем, пов'язаних із застосуванням цього пристрою, рекомендується дотримуватись усіх попереджень, що стосуються активних медичних виробів для імплантації при використанні електронних пристроїв, щоб запобігти будь-якій відмові чи порушенню роботи активного виробу для імплантації.
- Устаткування безпроводних комунікацій може вплинути на пристрій i-LIGHT і повинно зберігатися на відстані щонайменше 3,3 м.
- Не використовуйте над або біля пломб або зубних імплантантів.

УКРАЇНЬСЬКА

ОСНОВНІ ХАРАКТЕРИСТИКИ (РИС. 3)

- | | |
|---------------------------------------|---------------------------------------------------|
| 1. Вимикач | 10. Шнур ручного блока |
| 2. Вхід живлення | 11. Вікно спалаху |
| 3. Блок живлення | 12. Датчики контакту зі шкірою |
| 4. Ручний блок | 13. Насадка Для Тіла |
| 5. ✦ Потужний режим кнопка спалаху | 14. Насадка Для Обличчя |
| 6. ✦ Делікатний режим кнопка спалаху | 15. Силовий шнур |
| 7. ⚡ Експрес-режим кнопка спалаху | 16. Безворсова тканина |
| 8. Лампочки світлодіодного індикатора | 17. Сумка Для Зберігання (не показано на рисунку) |
| 9. Датчик тону шкіри | |

ПОЧАТОК РОБОТИ

Відкрийте першу й останню сторінки цієї інструкції з використання, щоб мати можливість звернутися зі схемами під час читання.

Під час першого використання i-LIGHT проявіть терпіння: як і з будь-яким іншим новим приладом, вам, можливо, знадобиться деякий час, щоб освоїтися з ним. Приділіть час ознайомленню з i-LIGHT, і ми впевнені, що ви роками будете із задоволенням користуватися ним.

ЗНАЙОМСТВО З i-LIGHT

Що таке i-LIGHT?

Система i-LIGHT — революційний пристрій, в основу якого покладено застосування світла, розроблений для усунення небажаного волосся з тіла та жіночого обличчя в домашніх умовах.

i-LIGHT використовує клінічно-випробовану технологію, схожу на ту, що використовується професійними дерматологами та салонами, яку оптимізовано для особистої обробки.

Що таке технологія інтенсивних імпульсних джерел світла IPL (Intense Pulse Light) і як працює i-LIGHT?

Технологія інтенсивних імпульсних джерел світла IPL (Intense Pulsed Light) — добре обґрунтована технологія, що використовується у всьому світі вже понад 15 років. i-LIGHT застосовує цю технологію для скерування інтенсивних імпульсних джерел світла на вашу шкіру.

Імпульси працюють під поверхнею шкіри, щоб досягнути волосся при його коренях, сприяючи припиненню його росту. (Рис. 4). Енергія імпульсу світла спрямована на темне забарвлення, і найкращі результати досягаються на темнішому волоссі. i-LIGHT призначено для шкіри світлого, середнього й темного тонів (тони шкіри I—V).

Чого очікувати від i-LIGHT

Результати помітні не відразу та можуть відрізнятися в конкретних випадках. Більшість користувачів почне помічати зменшення кількості волосся протягом 1-2 тижнів від початку застосування. Упродовж цього часу може здаватися, що волосся все ще росте, але насправді воно «виштовхується» (Рис. 5).

Волосся росте протягом трьох різних фаз, кожна з яких триває 18—24 місяці. (Рис. 6). Обробка діє тільки на волосся в активній фазі росту, тому для стійкого результату потрібно повторення процедур.

Важливо повністю виконати всю програму та додаткові процедури, щоб піддати обробці кожну активну волосинку.

Програма обробки

Перший курс складається з трьох процедур, що виконуються з інтервалом у два тижні. Індивідуальні результати можуть відрізнятися, тому для отримання оптимальних результатів може знадобитися проведення додаткових процедур. Волосся почне рости менш густим, тоншим і світлішим, ніж зазвичай. Такий ріст є абсолютно нормальним і слід його очікувати. Після завершення повного курсу проведення процедур для отримання кращих результатів знадобляться додаткові процедури (проводяться з інтервалом у чотири тижні). Найкращі результати досягаються, якщо повторювати процедури регулярно кожні чотири тижні протягом 8—12 тижнів (можливо, довше на темніших тонах шкіри). Не використовуйте пристрій частіше, ніж раз на два тижні.

ПРИМІТКА. Слід уникати багаторазової обробки тієї самої ділянки протягом одного сеансу. Це не підвищить ефективність, проте збільшить ризик подразнення шкіри.

ОЗНАЙОМТЕСЯ ЗІ СВОЇМ ПРИСТРОЄМ i-LIGHT

Вікно спалаху зі вбудованим УФ-фільтром (рис. 7)

ПОПЕРЕДЖЕННЯ. Перед використанням слід перевірити вікно спалаху, щоб переконатися у відсутності пошкоджень скла.

ПОПЕРЕДЖЕННЯ. Перед використанням слід протерти вікно спалаху безворсовою тканиною, що входить до комплекту, щоб переконатися у відсутності забруднень скла.

Датчики контакту зі шкірою (рис. 8)

Цей механізм безпеки запобігає випадковому потраплянню світла. Пристрій не подасть спалах, доки обидва сенсори контакту зі шкірою не будуть щільно торкатися шкіри.

Потужний Режим, Делікатний Режим й Експрес-Режим (рис. 9)

Кнопки Потужного режиму, Делікатного режиму й Експрес-режиму розташовані на ручному блоці.

Пристрій Перевірки Тону Шкіри (рис. 10)

Дозволяє використання тільки на відповідних тонах шкіри.

Насадки

Насадка Для Тіла для великих ділянок шкіри нижче шиї (рис. 11).

Насадка Для Точної Обробки для невеликих ділянок жіночого обличчя: щік, скронь, підборіддя, шиї та зони над губою (рис. 12).

Звільнення насадки (рис. 13)

Затисніть насадку в указаних місцях і сильно потягніть назовні, щоб вивільнити насадку. Під час заміни насадки магніти допоможуть вирівняти її для встановлення в потрібне положення.

ПІДГОТОВКА ДЛЯ ВИКОРИСТАННЯ

ПІДГОТУЙТЕ СВОЮ ШКІРУ ДЛЯ ПРОЦЕДУРИ

- Переконайтеся, що ділянка, на якій має проводитися процедура, чиста та не містить слідів олійок, дезодорантів, парфумів, макіяжу, лосьйонів і кремів. Збрийте або підріжте волосся на ділянці, яка має піддаватися процедурі, і переконайтеся, що шкіра чиста та суха.
- Для використання на обличчі ви, можливо, захочете підстригти волосся. При підрізанні волосся слід вкоротити до менш ніж 0,5 мм.
- Не використовуйте віск, епіляцію, пінцет або інші методи, які усувають волосся від коренів, оскільки IPL не ефективно, якщо волосся було витягнуто.

ПІДГОТОВКА i-LIGHT ДО ВИКОРИСТАННЯ

- Під'єднайте шнур живлення до розетки.

ПЕРЕВІРТЕ СВІЙ КОЛІР ШКІРИ

- Щоб визначити, чи підходить тон вашої шкіри для цього пристрою, порівняйте тон шкіри на ділянках для обробки з Палітрою Тонів Шкіри на початку цієї інструкції (рис. 1).
- Якщо тон вашої шкіри збігається зі світлим, середнім або темним тоном у Палітрі Тонів Шкіри (Skin Tone I—V), ви можете використовувати цей пристрій i-LIGHT.
- Якщо тон вашої шкіри на ділянці для обробки збігається з найтемнішим тоном у Палітрі Тонів Шкіри, НЕ використовуйте цей пристрій (тон шкіри VI — Skin Tone VI).
- Цей пристрій i-LIGHT обладнаний вбудованим ПРИСТРОЄМ ПЕРЕВІРКИ ТОНУ ШКІРИ на голівці, щоб уникнути ненавмисного потрапляння світла на надто темну для обробки шкіру.
- Якщо ваша шкіра підходить для обробки, i-LIGHT виконає спалах, а світлодіодні індикатори збоку ручного блока засвітяться білим кольором. Кількість індикаторів, що світяться, позначатиме тон вашої шкіри.
- Якщо ваша шкіра надто темна для обробки, пристрій виконає спалах в енергозберігаючому режимі, після чого будуть подані чотири звукових сигнали й засвітиться червоний світлодіод збоку ручного блока.
- Якщо ви вважаєте, що ваша шкіра підходить для обробки згідно з Палітрою Тонів Шкіри (рис. 1), але пристрій подає чотири звукових сигнали після спалаху, спробуйте використати його на іншій ділянці для обробки.

УКРАЇНСЬКА

ПЕРЕВІРТЕ I-LIGHT НА СВОЇЙ ШКІРІ

Перед проведенням першої процедури перевірте пристрій i-LIGHT на маленькій ділянці шкіри та зачекайте 24 години, щоб переконалися, що немає жодних негативних реакцій.

1. Розташуйте ручний блок i-LIGHT на ділянці шкіри, щоб вікно спалаху освітлювалося світлом, відбитим від шкіри.
2. Переконайтеся, що Датчики Контакту Зі Шкірою повністю закриті, а світлодіодні індикатори світяться білим кольором.
3. Виберіть бажаний режим і натисніть кнопку, щоб виконати спалах.
ПОРАДА. Оскільки дискомфорт від легкого до помірного є нормальним явищем, можливо, вам варто почати з Делікатного режиму й перемкнутися на Потужний режим, тільки коли він стане для вас комфортним.
4. Зачекайте 24 години, а потім огляньте ділянку, на якій проводилася перевірка. Якщо шкіра виглядає нормальною, продовжуйте виконувати процедуру з виставленим рівнем енергії, який вам підходить.
ПРИМІТКА. Необхідно перевірити пристрій на кожній ділянці обличчя або тіла, на якій ви плануєте провести процедуру.

ВИБЕРІТЬ РЕЖИМ РОБОТИ

- Вбудований ПРИСТРІЙ ПЕРЕВІРКИ ТОНУ ШКІРИ на голівці встановить відповідний рівень потужності для кожного налаштування залежно від зареєстрованого тону шкіри.
- Цей пристрій i-LIGHT має 3 різні режими роботи: Потужний Режим (повна потужність), Делікатний Режим та Експрес-Режим. Після вмикання пристрій працюватиме в Потужному режимі. Він виконуватиме спалахи з інтервалом приблизно 3 секунди в Потужному режимі та в Делікатному режимі й менше 1 секунди в Експрес-режимі.

Потужний режим ✨

Потужний режим (повна потужність) забезпечує найвищий прийнятний для вас рівень потужності. Цей режим ідеально підходить для обробки як великих, так і невеликих ділянок із найкращими результатами. Потужний режим забезпечить найкраще видалення волосся за найменшу кількість процедур, але може бути менш комфортним.

Делікатний режим 🍃

Делікатний режим призначений для тих, кому Потужний режим видається надто інтенсивним. Делікатний режим — це менш потужний режим, призначений для чутливих до дискомфорту людей, які все одно хочуть видалити небажане волосся. У цьому режимі може знадобитися дещо більша кількість процедур, щоб досягти бажаних результатів.

Експрес-режим ⚡

Експрес-режим надає користувачам можливість швидкісного виконання процедур. У цьому режимі можна обробляти великі ділянки з високою швидкістю, але він може бути менш ефективним, тому для досягнення бажаних результатів може знадобитися дещо більша кількість процедур.

ПРИМІТКА. Після ввімкнення пристрою він автоматично переходить у Потужний режим (повна потужність).

- Щоб перемкнутися в інший режим, натисніть потрібну кнопку, й вона засвітиться.
- Після вибору потрібного режиму роботи щільно притисніть вікно спалаху до шкіри.
- Тепер пристрій готовий до виконання першого спалаху. Щоб скасувати вибір Делікатного режиму або Експрес-режиму, натисніть вибрану кнопку ще раз, і пристрій знову перемкнеться у Потужний режим. При цьому світлитиметься тільки Кнопка Спалаху.

ПРОВЕДЕННЯ ПРОЦЕДУРИ

ЗМІНА НАСАДОК

- Пристрій i-LIGHT постачається з двома окремими Насадками Для Обробки:
- Насадка Для Тіла призначена для обробки великих ділянок, наприклад для видалення волосся з тіла.
- Насадка Для Точної Обробки призначена для менших ділянок, наприклад видалення волосся на обличчі, під пахвами та в зоні бікіні у жінок.

Для заміни насадок:

ПОПЕРЕДЖЕННЯ. Перед зніманням Насадки Для Обробки слід перевіряти, щоб пристрій було вимкнено, а силовий шнур — від'єднано.

- Перед заміною Насадки Для Обробки необхідно дати системі охолонути протягом 5 хвилин.
- 1. Вимкніть вимикач і витягніть з розетки шнур живлення.
- 2. Утримуйте пристрій однією рукою й обережно потягніть за Насадку Для Обробки іншою (рис. 13).
ПРИМІТКА. Насадки Для Обробки утримуються на пристрої магнітами й повинні легко зніматися.
ПОРАДА. Насадку Для Обробки, яка не використовується, зберігайте у безпечному місці (наприклад, в упаковці), щоб не пошкодити вікно спалаху та інші компоненти.
- 3. Обережно встановіть на пристрій іншу Насадку Для Обробки і переконайтеся, що вона зафіксувалася на місці з характерним клацанням.

Настанова з експлуатації:

1. Щільно притисніть вікно спалаху до шкіри. Переконайтеся, що датчики контакту зі шкірою повністю закриті. Якщо Датчики Контакту Зі Шкірою повністю притиснуті до шкіри, Кнопка Спалаху буде блимати білим, а світлодіодні індикатори на боці ручного блока засвітяться, сигналізуючи, що пристрій готовий до спалаху.
ПРИМІТКА. Якщо Датчики Контакту Зі Шкірою НЕ повністю притиснуті до шкіри, пристрій загудить і не працюватиме у випадку натиснення Кнопки Спалаху. Ще раз переконайтеся, що Датчики Контакту Зі Шкірою контактують зі шкірою повністю.
 2. Натисніть кнопку спалаху, щоб подати імпульс. Слід очікувати, що ви побачите яскравий спалах світла (подібний до спалаху фотокамери) і відчуєте помірне тепло.
 3. Переходьте до наступної ділянки і обробляйте за принципом решітки, щоб забезпечити повне покриття області обробки.
- Під час обробки в режимі одного спалаху натискайте кнопку спалаху щоразу, коли переходите до наступної ділянки.
 - Під час обробки в режимі мульти-спалаху утримуйте палець на кнопці спалаху так, щоб вона була натиснута, і переходьте до наступної ділянки, переконавшись, що датчики контакту зі шкірою повністю закриті. Наступний спалах відбудеться автоматично через 3 секунди (у режимі повної потужності).
 - В режимі мульти-спалаху, якщо ви відпустите кнопку спалаху або втратите контакт зі шкірою, просто відновіть обробку, повторюючи кроки вище.

Обробка шкіри обличчя (тільки для жінок)

Волосся на обличчі відрізняється від волосся на тілі; шкіра на обличчі більш чутлива, більш піддана до випромінювання сонця. Тому видалення волосся на обличчі відрізняється від видалення волосся на тілі. Обов'язково уважно прочитайте попередження і застережні заходи, перед тим як починати догляд за шкірою обличчя.

ВАЖЛИВО: Насадка Для Точної Обробки спеціально розроблена для обробки волосся на жіночому обличчі, оскільки воно має унікальні властивості. НЕ використовуйте Насадку Для Тіла на обличчі. Більше інформації див. у розділі «Зміна насадок». Насадка Для Точної Обробки призначена тільки для видалення волосся на щоках, скронях, підборідді, шиї та над губою в жінок. (Рис. 2).

НЕ використовуйте для бороди або волосся на обличчі чоловіків, оскільки результати можуть бути тривалими та нерівномірними, що може викликати небажані зміни властивостей волосся на обличчі.

**ПІДКАЗКИ****Видалення волосся на тілі**

- Для досягнення найкращих результатів уникайте перекривання спалахів. Це запобігає потраплянню більшої кількості енергії, ніж необхідно для зупинки росту волосся. Таким чином забезпечується максимальне використання лампи.
- Для досягнення найбільш ефективних результатів завжди використовуйте найвищий рівень інтенсивності, який не викликає дискомфорт на шкірі. Ви повинні відчувати тепло на шкірі, але не дискомфорт.
- Ви можете помітити, що кісткові ділянки, такі як лікті, гомілки та щиколотки, більш чутливі під час обробки. Це нормально і не повинно викликати тривогу. Для запобігання такій чутливості намагайтеся під час обробки розтягувати шкіру від кісткової ділянки.

УКРАЇНЬСЬКА

Обробка шкіри обличчя

- Спробуйте на ділянці шкіри — шкіра обличчя більш чутлива, тому спочатку слід спробувати на маленькій ділянці. Детальніше див. в розділі «Перевірте i-LIGHT на своїй шкірі».
- Виконуйте процедури перед дзеркалом — користуючись дзеркалом, ви будете мати гарний огляд області, що обробляється, і не зачепите губи або інші темні ділянки. Якщо світло, що відбивається, є неприємним для зору, ви можете закривати очі перед кожним спалахом.
- Натягніть шкіру для кращого контакту з пристроєм — контур шкіри може ускладнювати сенсорам контакт зі шкірою в певних ділянках. Можливо, буде зручніше, якщо підкласти верхню губу під зуби або за допомогою язика натягнути щоки для кращого контакту зі шкірою.

ДОГЛЯД ПІСЛЯ ПРОВЕДЕННЯ ПРОЦЕДУРИ

Після проведення процедури можливе незначне почервоніння шкіри чи відчуття тепла. Це нормальне явище, яке швидко зникне. Щоб уникнути подразнення шкіри після обробки, дотримуйтесь описаних нижче застережних заходів.

- Уникайте впливу сонця впродовж 24 годин після процедури. Захищайте шкіру засобами із сонцезахисним фактором SPF 30 упродовж 2 тижнів після кожної процедури.
- Не перебувайте на сонці надто довго, не засмагайте, не відвідуйте солярій і не застосовуйте креми для автозасмаги щонайменше впродовж 2 тижнів після останньої процедури.
- Після проведення процедури зберігайте ділянку чистою і сухою, щоб підтримувати гідратацію шкіри.
- Не приймайте гарячі ванни, душі, не ходіть у бані та сауни, поки почервоніння або чутливість шкіри не повернуться до норми.
- Під час процедури не усувайте волосся (за допомогою воскування, вищипування, епіляції чи кремів) — дозволяється бриття, але не раніше ніж через 24 години після кожної процедури.
- Не користуйтеся відбілюючими кремами або ароматизованими продуктами впродовж 24 годин після процедури.

300 000 СПАЛАХІВ ЛАМПИ

- Термін експлуатації лампи розрахований на 300 000 спалахів
- Лампа в цьому пристрої прослужить протягом всього строку гарантії, як вказано в гарантійному талоні, що додається до пристрою.
- Коли лампа досягне 99% можливого строку служби, світлодіодні індикатори на боці ручного блока будуть світитися червоним під час вмикання пристрою.
- Коли строк служби лампи закінчиться, користуватися пристроєм буде неможливо.

ОЧИЩЕННЯ ПРИСТРОЮ i-LIGHT

⚠ УВАГА! Перед очищенням i-LIGHT переконайтеся, що пристрій вимкнено і від нього від'єднано шнур живлення.

Регулярне очищення допомагає гарантувати досягнення оптимальних результатів і довгого терміну служби пристрою.

- Для чищення вікна спалаху використовуйте тільки безворсову тканину, яка входить до комплексу пристрою i-LIGHT. Будьте обережні, не подряпайте вікно спалаху. Подряпини та відколи знижують ефективність пристрою.
- Для видалення стійких забруднень з вікна спалаху змочіть ватний тампон медичним або протиральним спиртом і обережно протріть вікно спалаху безворсовою тканиною, яка входить до комплексу.

⚠ ПОПЕРЕДЖЕННЯ. Якщо вікно спалаху тріснуло або розбите, пристрій не можна використовувати. Не дряпайте скло фільтра чи металеву поверхню всередині головки пристрою.

⚠ УВАГА! i-LIGHT — це пристрій високої напруги. Не занурюйте його у воду. Не очищуйте пристрій або будь-яку з його частин під краном або в посудомийній машині.

Зберігання

Вимкніть пристрій, відключіть його і дозвольте охолонути впродовж 10 хвилин перед зберіганням.

ПОШУК ТА УСУНЕННЯ НЕСПРАВНОСТЕЙ

- Завжди повністю читайте цю інструкцію перед використанням пристрою i-LIGHT REVEAL.
- При наявності будь-яких проблем з i-LIGHT REVEAL, використовуйте ці вказівки з пошуку й усунення несправностей. Цей розділ містить найбільш загальні проблеми, з якими ви можете зіткнутися. Якщо виконання вказівок цього розділу не вирішило вашої проблеми, зверніться до місцевого сервісного центру Remington® для отримання подальшої допомоги.

Вимикач увімкнено, але пристрій не працює.

- Переконайтеся, що пристрій під'єднано до робочої розетки.
- Спробуйте підключити до іншої розетки.

Здається, що на пристрої є тріщини, або він поламаний.

- Не використовуйте пошкоджений пристрій. Якщо у вас виникли сумніви щодо пристрою, припиніть використання та зверніться до сервісного центру Remington® для отримання подальшої допомоги.

Пристрій увімкнено, але я не можу змінити режим.

- Спробуйте скинути пристрій, вимикаючи його та чекаючи декілька секунд перед тим, як увімкнути знову.

З'явився незвичний запах.

- Переконайтеся, що перед обробкою ділянка повністю поголена.

Ділянки після обробки стають червоними.

- Це нормально, почервоніння повинно пройти. У протилежному випадку спробуйте перемкнутися в Делікатний режим.
ПРИМІТКА. У випадку перегріву пристрою i-LIGHT він перемкнеться в режим очікування. У режимі очікування 5 світлодіодних індикаторів на ручному блоці почнуть вмикатися по черзі. Зачекайте кілька хвилин, щоб ручний блок охолодився. Не потрібно вимикати пристрій, світлодіодні індикатори припинять вмикатися, коли пристрій буде знову готовий до використання.

ЧАСТІ ПИТАННЯ

- Повний перелік частих питань вказано на сайті (www.remington-ilight.com)
- П. Які області тіла можна обробляти i-LIGHT?
- В. Пристрій i-LIGHT розроблено для використання особами обох статей в областях нижче шиї, в тому числі на ногах, під пахвами, по лінії бікіні, на руках, грудях та спині. Жінки можуть застосовувати пристрій для видалення волосся на обличчі під вилицями.
- П. Який ризик приховує в собі використання i-LIGHT? Чи це безпечно?
- В. Доведено, що пристрій i-LIGHT безпечний у використанні й ефективний, проте, як і у випадку з будь-яким електронним пристроєм, важливо прочитати і виконувати інструкції з експлуатації та застережні заходи.
- П. Застосування інтенсивних імпульсних джерел світла небезпечно для шкіри після тривалого використання?
- В. Про побічні ефекти або пошкодження шкіри внаслідок тривалого використання інтенсивних імпульсних джерел світла не повідомлялося.
- П. Чому, незважаючи на процедури, моє волосся продовжує рости?
- В. Результати помітні не відразу та можуть відрізнятись в конкретних випадках. Більшість користувачів почне помічати зменшення кількості волосся протягом 1-2 тижнів від початку застосування. Упродовж цього часу може здаватися, що волосся все ще росте, але насправді воно «виштовхується». Волосся росте протягом трьох різних фаз, кожна з яких триває 18-24 місяці. Обробка діє тільки на волосся в активній фазі росту, тому для стійкого результату потрібно повторення процедур. Іншою причиною безперервного росту волосся може служити ділянка, пропущена під час обробки. Повторіть процедуру, якщо ви помітили повторний ріст.

УКРАЇНСЬКА

- П. Чому не можна використовувати i-LIGHT після нещодавньої засмаги?
- В. Сонячний вплив викликає високий рівень меланіну і піддає шкіру, яка оброблюється, підвищеному ризику виникнення опіків та пухирів.
- П. Чи потрібно використовувати захист для очей під час застосування i-LIGHT?
- В. Ні, процедура не завдає шкоди очам. У i-LIGHT є система безпеки, яка запобігає ненавмисному виникненню спалаху, якщо пристрій не торкається шкіри. Невелика кількість світла, яка випромінюється під час процедури, відповідає спалаху фотокамери і не завдає шкоди очам. Спеціально розроблені Насадки Для Обробки зводять до мінімуму витік світла. Якщо світло, що відбивається, є неприємним для зору, ви можете закрити очі перед кожним спалахом.

УТИЛІЗАЦІЯ



Щоб не завдати шкоди довкіллю та здоров'ю людей через дію небезпечних речовин, не слід утилізувати пристрої й батареї одноразового або багаторазового використання, що позначені одним із цих символів, разом із невідсортованим побутовим сміттям. Обов'язково утилізуйте електричні й електронні вироби, а також, де можливо, батареї одноразового або багаторазового використання у відповідному офіційному пункті переробки/збору.

Благодарим Ви, че закупихте нов продукт на Remington. Моля, прочетете внимателно инструкцията за употреба и я запазете. Отстранете всички опаковки преди употреба.

ВАЖНИ МЕРКИ ЗА БЕЗОПАСНОСТ

- Този уред не трябва да се използва от лица под 18 години или от лица с намалени физически, сетивни или умствени възможности или липса на опит и познания, освен ако са наблюдавани / инструктирани и разбират свързаните рискове. Децата не трябва да си играят с уреда. Почистването и поддръжката на уреда не трябва да се осъществява от лица под 18-годишна възраст.
- Пазете уреда и кабела му далеч от достъпа на деца под 8-годишна възраст.
- Не използвайте продукта с повреден кабел. Замяна на кабела може да се направи в оторизираните сервизни центрове.
- ⚠ Корпусът на уреда не може да се мие и не е водоустойчив. Не потапяйте уреда в течности; не го използвайте близо до вода във вани, мивки или други съдове; не го използвайте на открито.
- Възможно е този продукт да излъчва опасно оптично лъчение. Не гледайте източника на светлина, което може да е опасно за очите.
- Използвайте този уред само по предназначение, в съответствие с описанието в това ръководство.
- Не използвайте уреда, ако е повреден или не работи изправно.
- Не оставяйте уреда без наблюдение, когато е включен в електрическата мрежа.
- Пазете кабела и щепсела далеч от нагорещени повърхности.
- Не използвайте приставки, различни от тези, които ние предоставяме.
- Не увивайте и не огъвайте кабела, не го увивайте около уреда.
- Не включвайте или изключвайте уреда с мокри ръце.
- Този уред не е предназначен за комерсиална употреба и употреба във фризьорски салони.

Преди да започнете да използвате i-LIGHT:

Уверете се, че сте прочели всички Предупреждения и Информация за Безопасност. Преди да започнете, проверете дали i-LIGHT е подходящ за Вас.

Използвайте схемата за типа кожа и окосмяване в началото на това ръководство и вградения сензор за цвят на кожата, за да определите дали уредът е подходящ за Вас (Фиг. 1).

ВНИМАНИЕ: i-LIGHT не е подходящ за много тъмна или за черна кожа. i-LIGHT не действа при светли или сиви косми, а при руси и рижави косми ефективността му намалява.

За употреба на лицето: подходящ само за жени - за косъмчета по бузите, бакенбардите, брадичката, шията и над устните (Фиг. 2).

НЕ ИЗПОЛЗВАЙТЕ на очите, веждите и миглите. Това може да навреди трайно на очите.

Тип кожа

- Да не се използва върху естествено тъмна кожа, тъй като това може да доведе до изгаряния, мехури и промени в цвета на кожата.
- Не използвайте върху кожа с тен или след скорошно излагане на слънце, тъй като това може да причини изгаряния или нараняване на кожата.
- i-LIGHT не действа при светли или сиви косми, а при руси и рижави косми ефективността му намалява.

Зони, които не трябва да се третират:

- Не използвайте върху скалпа или ушите.
- Не използвайте върху лицето или шията (за мъжете).
- Не използвайте в зоните над скулите (за жените).
- Не използвайте върху зърната, ареолите или гениталиите.
- Не използвайте ако имате татуировки или перманентен грим в зоната, която ще третирате.
- Не използвайте върху тъмно кафяви или черни петна като бенки, белези по рождение или лунички.
- Не използвайте върху зона на скорошна операция, дълбок пилинг, лазерен пилинг, белези или кожа, която е увредена при изгаряния или попарване.

БЪЛГАРСКИ

Кога да не използвате/ Кога да избягвате използването на i-LIGHT

- НЕ ИЗПОЛЗВАЙТЕ ако имате тен в зоната, която искате да третирате, тъй като Вашата кожа може да твърде тъмна и третирането на зоните със загар може да причини подуване на кожата, мехури или може да промени цвета на Вашата кожа. Изчакайте тенът да избелее преди да третирате.
- НЕ ИЗПОЛЗВАЙТЕ върху кожа с нанесени козметични продукти, тъй като третирането на тези зони може да причини временно подуване на кожата, мехури или може да промени цвета на Вашата кожа. Уверете се, че добре сте почистили зоната, която искате да третирате преди да използвате уреда.
- НЕ светвайте множество пъти върху едно и също място в рамките на една процедура, тъй като това може да причини временно подуване на кожата, мехури или може да промени цвета на Вашата кожа.
- НЕ ТРЕТИРАЙТЕ една зона по-често от един път на 2 седмици, тъй като това няма да ускори резултатите, но може да увеличи вероятността от подуване на кожата, образуване на мехури или промяна в пигментацията ѝ.
- НЕ ИЗПОЛЗВАЙТЕ върху увредена кожа, включително отворени рани, херпеси, слънчеви изгаряния или зони, където е правен пилинг или други процедури за реструктуриране на кожата в рамките на последните 6–8 седмици.
- НЕ ИЗПОЛЗВАЙТЕ върху раздразнена кожа, включително обриви или подута на кожата. Тези състояния могат да направят кожата по-чувствителна. Изчакайте засегнатата зона да оздравее преди да използвате уреда.
- НЕ ИЗПОЛЗВАЙТЕ, ако Вашата кожа е чувствителна към светлина. За да определите дали можете да използвате i-LIGHT, направете тест върху малка част от кожата и изчакайте 24 часа, за да определите дали има вредни реакции преди да третирате по-голяма част.
- НЕ ИЗПОЛЗВАЙТЕ ако сте или може да сте бременна или кърмите. i-LIGHT не е тестван върху бременни жени. По време на бременност или кърмене хормоналните промени са често срещани и могат да увеличат чувствителността на кожата и риска от нараняването ѝ.
- НЕ присветвайте срещу каквото и да било друг материал, различен от кожа.
- НЕ ИЗПОЛЗВАЙТЕ i-LIGHT за каквито и да било други цели освен обезкосмяване.
- НЕ ТРЕТИРАЙТЕ никоя зона, където може някой ден отново да поискате да имате окосмяване. Резултатите могат да бъдат перманентни и необратими.
- НЕ ИЗПОЛЗВАЙТЕ на лицето, ако преди сте имали херпес; използването на IPL и други процедури, които дразнят кожата, може да доведе до нова поява на херпес.
- Ако сте преминали професионални, или клинични, или самостоятелно администрирани лазерни или IPL процедури или процедури за електролитно епилиране, изчакайте поне 6 месеца преди да използвате i-LIGHT. Ако сте използвали кола маска, пинсета или епилатор за отстраняване на космите в зоната, която искате да третирате, изчакайте поне 6 седмици преди да използвате i-LIGHT. Уредът използва частта на космите под кожата, за да деактивира космите от корен и затова не е ефективен, ако те са били изскубани от корените им.
- НЕ ИЗПОЛЗВАЙТЕ върху или в близост до каквито и да е изкуствени предмети като силиконови импланти, контрацептивни импланти Implanon, пейсмекъри, подкожни инжекционни отвори (инсулинови диспенсъри) или пиърсинг.
- Въпреки че по време на клиничните изследвания не се съобщава за никакви проблеми, свързани с използването на това устройство, препоръчваме да се спазват всички предупреждения за активни имплантируеми медицински устройства по отношение на използването на електронни устройства, за да предотвратите всяка повреда или прекъсване на активното имплантируемо устройство.
- Оборудването за безжични комуникации може да повлияе на устройството i-LIGHT и трябва да се държи на разстояние от поне 3.3 метра.
- Не използвайте върху или в близост до метални пломби, зъбни импланти или брекети.

ОСНОВНИ ХАРАКТЕРИСТИКИ (ФИГ. 3)

- | | |
|------------------------------------|---------------------------------|
| 1. Бутон за включване | 10. Кабел на дръжката |
| 2. Вход захранване | 11. Светлинен прозорец |
| 3. Силова глава | 12. Сензори за контакт с кожата |
| 4. Дръжка | 13. Приставка за тяло |
| 5. ✦ Мощен режим флаш бутон | 14. Приставка за лице |
| 6. ✦ Чувствителен режим флаш бутон | 15. Захранващ кабел |
| 7. ⚡ Експресен режим флаш бутон | 16. Кърпа без власинки |
| 8. Индикаторни LED светлини | 17. Чантичка за съхранение |
| 9. Сензор за цвета на кожата | |

ПОДГОТОВКА ЗА УПОТРЕБА

Разгънете предната и задната страница на това ръководство, за да виждате диаграмите, докато четете. Бъдете внимателни, когато използвате за първи път Вашия i-LIGHT, както с всеки друг нов продукт, може да отнеме малко време докато се запознаете с продукта. Отделете време да се запознаете с Вашия i-LIGHT и сме сигурни, че години наред ще го използвате и ще сте напълно доволни.

ЗАПОЗНАВАНЕ С i-LIGHT

Какво е i-LIGHT?

Системата i-LIGHT е революционно базирано на светлина устройство, предназначено за отстраняване на нежеланото окосмяване по тялото и по дамското лице у дома.

i-LIGHT използва клинично доказана технология подобна на тази, която използват професионалните дерматолози и салони, оптимизирана за лично ползване.

Какво е Интензивна Пулсираща Светлина (IPL) и как работи i-LIGHT?

IPL – (Интензивната Пулсираща Светлина) е добре позната технология използвана в цял свят вече повече от 15 години. i-LIGHT използва тази технология, за да излъчи към Вашата кожа интензивен импулс от светлина. Импулсът действа под повърхността на кожата върху корените на косъмчетата, като спомага за спиране на техния растеж (Фигура 4).

Енергията в светлинния импулс се насочва към тъмната пигментация и най-добри резултати се получават при по-тъмни косми.

i-LIGHT е предназначен използване върху светли, средно тъмни и тъмни нюанси на кожата (нюанси на кожата I-V)

Какво да очакваме от i-LIGHT

Резултатите не са незабавни и индивидуалните резултати са различни. Повечето потребители ще започнат да забелязват малко косми в рамките на 1 – 2 седмици след започване на процедурите. През това време може да изглежда, че косъмчетата все още растат, но в действителност те се „избутват“ (Фигура 5).

Космите растат в цикъл от 3 различни фази, който продължава 18 – 24 месеца (Фигура 6). Само косъмчетата, които са във фаза на активен растеж са податливи на третиране, ето защо за оптимални резултати са необходими многократни процедури.

Важно е да се продължи с пълния обем от процедури и допълнителните процедури, за да се гарантира, че всеки активен косъм е третиран.

Режим на третиране

Един пълен режим от третираня обхваща три третираня, всяко от които се прави през 2 седмици от предходното. Индивидуалните резултати могат да се различават, затова може да са необходими множество процедури за постигане на оптимален резултат. Възможен е повторен растеж на косми, но те ще бъдат по-редки, по-фини и по-светли в сравнение с оригиналното окосмяване. Този повторен растеж е напълно нормален и трябва да се очаква. След приключване на пълния режим от процедури, допълнителните процедури веднъж на всеки четири седмици ще се постигнат още по-добри резултати. Продължителното редовно третиране на всеки четири седмици ще даде добри резултати в рамките на 8-12 седмици (при по-тъмни нюанси на кожата може да е нужно повече време). Не използвайте фотоепилатора по-често от веднъж на две седмици. **ЗАБЕЛЕЖКА:** Избягвайте да третирате една и съща зона няколко пъти в рамките на една процедура, тъй като това няма да подобри ефективността, но ще увеличи риска от раздразнение на кожата.

ЗАПОЗНАЙТЕ СЕ С ВАШИЯ УРЕД i-LIGHT

Прозорче за третиране с вграден UV филтър (фиг. 7)

ВНИМАНИЕ: винаги проверявайте Светлинния Прозорец преди да използвате уреда, за да се уверите, че няма повреди на лещите.

ВНИМАНИЕ: винаги почиствайте Светлинния Прозорец преди да използвате уреда с кърпата без власинки, която е предоставена с уреда, за да се уверите, че няма мазнини или замърсявания върху лещите.



БЪЛГАРСКИ

Сензори за контакт с кожата (фиг. 8)

Този защитен механизъм предотвратява случайно произвеждане на импулс. Устройството няма да се задейства, освен ако и двата сензора за контакт с кожата не са в пълен контакт с кожата.

Силен, Чувствителен, Експресен режим (фиг. 9)

Бутоните за Силен, Чувствителен и Експресен режим са на ръкохватката.

Тестер на нюанси на кожата (фиг. 10)

Позволява използване само с подходящи тонове на кожата.

Приставки:

Приставка за тяло за големи зони под нивото на шията (фиг. 11).

Прецизна приставка за по-малките зони на женското лице като бузи, бакенбарди, брадичка, шия и над устната (фиг. 12).

Освобождаване на приставките (фиг. 13)

Хванете приставката на указаните места и дръпнете направо и навън. Когато смените приставката, магнитите ще Ви помогнат да я поставите правилно.

ПОДГОТОВКА ЗА УПОТРЕБА

ПОДГОТВЕТЕ КОЖАТА СИ ЗА ТРЕТИРАНЕ

- Уверете се, че зоната, която ще третирате е чиста и по нея няма масла, дезодоранти, парфюм, грим, лосиони и кремове. Избръснете или подстрижете окосмяването в зоната, която ще третирате и се уверете, че кожата е чиста и суха.
- При използване върху лицето, може би ще предпочетете да скъсите космите с тример. Ако предпочетете този метод - окосмяването трябва да бъде по-малко от 0.5 мм.
- Никога не използвайте кола маска, епилиране, пинсети или други методи, които отстраняват косъма от корена, тъй като IPL не е ефективна, ако косъмчетата за изскубнати.

ПОДГОТВЕТЕ I-LIGHT ЗА ИЗПОЛЗВАНЕ

- Свържете захранващия кабел към стенов контакт.

ПРОВЕРЕТЕ НЮАНСА НА КОЖАТА СИ

- За да определите дали нюансът на Вашата кожа е подходящ за използване на уреда, сравнете кожата на местата, които искате да третирате, с Таблицата с нюанси на кожата на предната корица на това ръководство (фиг. 1).
- Ако кожата Ви е като светлите, средно тъмни или тъмните нюанси на кожата (skin tones) от Таблицата с нюанси на кожата (I-V), можете да използвате уреда i-LIGHT.
- Ако кожата на местата, които искате да третирате, е като най-тъмния нюанс на кожата (skin tone) от Таблицата с нюанси на кожата, НЕ ИЗПОЛЗВАЙТЕ този уред (Нюанс на кожата VI - Skin Tone VI).
- Този уред i-LIGHT има вграден ТЕСТЕР НА НЮАНСИ НА КОЖАТА на главата за третиране, който предотвратява светване върху кожа, която е твърде тъмна за третиране.
- Ако кожата Ви е подходяща за третиране, i-LIGHT ще светне и светодиодите отстрани на ръкохватката ще светнат в бяло. Броят светлини ще покаже нюанса на Вашата кожа.
- Ако кожата Ви е твърде тъмна за третиране, ще видите по-слабо светване, уредът ще даде четири звукови сигнала, а светодиодът отстрани ще стане червен.
- Ако според Таблицата с нюанси на кожата (фиг. 1) Вашата кожа е подходяща, но уредът светне и чуете четири звукови сигнала, пробвайте върху друга зона на тялото.

ТЕСТВАЙТЕ I-LIGHT ВЪРХУ ВАШАТА КОЖА

Преди първата пълна процедура, тествайте устройството i-LIGHT върху малка част от кожата и изчакайте 24 часа, за да се уверите, че няма нежелани реакции.

1. Поставете дръжката на i-LIGHT върху кожата си, така че Светлинният Прозорец да е изпълнен с кожната повърхност.
2. Уверете се, че сензорите за контакт с кожата са в пълен контакт с кожата, а светодиодите светят в бяло.

3. Изберете режим и натиснете бутона, за да светне уредът върху кожата.
Съвет: Тъй като е нормално да усетите лек до среден дискомфорт, започнете с Чувствителен режим. Преминете на Силен режим, само когато се чувствате комфортно за това.
4. Изчакайте 24 часа и след това проверете тестваната зона. Ако кожата изглежда нормално, продължете с пълна процедура на това ниво на енергия, което сте определили като подходящо за Вас.
ЗАБЕЛЕЖКА: Трябва да тествате устройството върху всяка част от лицето или тялото, която искате да третирате.

ИЗБОР НА РЕЖИМА НА РАБОТА

- Вграденият ТЕСТЕР НА НЮАНСИ НА КОЖАТА на главата за третиране ще настрои подходящата мощност за всяка настройка според отчетения нюанс на кожата.
- Устройството i-LIGHT има 3 режима на работа - Силен (пълна мощност), Чувствителен и Експресен. Уредът ще бъде в Силен режим, когато го включите. Уредът ще светва приблизително на всеки 3 секунди в режими Силен и Чувствителен, а в Експресен режим - през по-малко от секунда.

Мощен Режим

Силният режим (пълна мощност) ще използва най-високата мощност, подходяща за Вас. Този режим е идеален за големи и малки зони и ще даде по-добри резултати. Силният режим ще даде най-добрите резултати за обезкосмяване с по-малък брой третириания, но е възможно да носи повече дискомфорт.

Чувствителен Режим

Ако Силният режим е твърде интензивен, използвайте Чувствителен режим. Чувствителният режим е с по-ниска мощност - за по-чувствителните към дискомфорта, които въпреки това желаят да премахнат нежеланото окосмяване. При този режим е възможно да трябва да правите повече третириания, за да постигнете желаните резултати.

Експресен Режим

Експресният режим дава възможност за по-бързи третириания. С него можете да третирате по-големи зони по-бързо, но той може да е по-малко ефективен и за получаване на желаните резултати ще са нужни повече третириания.

ЗАБЕЛЕЖКА: Всеки път, когато включите устройството, то автоматично задава Силен режим (пълна мощност).

- Ако желаете да изберете друг режим, натиснете съответния бутон и той ще светне.
- След като решите и изберете режима, който е подходящ за Вас, притиснете плътно прозореца за третиране върху кожата.
- Сега уредът е готов да произведе импулс. За да деактивирате Чувствителен или Експресен режим, просто натиснете отново избрания бутон и уредът ще се върне към Силен режим, и ще свети само бутонът за импулси.

ТРЕТИРАНЕ

СМЯНА НА ПРИСТАВКИТЕ

- Вашият i-LIGHT има две отделни приставки за третиране:
- Приставката за тяло е подходяща за използване върху по-големи зони като окосмяване по тялото.
- Прецизната приставка е предназначена за използване върху по-малки зони като лицевото окосмяване при жените, подмишниците и бикини зоната.

За да смените приставките:

ВНИМАНИЕ: Уредът трябва да е ИЗКЛЮЧЕН от бутона и от контакта, преди да махнете Приставката за третиране.

- Оставете системата да изстине 5 минути, преди да смените Приставката за третиране.
- 1. Изключете от бутона за включване и изключете захранващия кабел от електрическия контакт.
- 2. Дръжте уреда с една ръка, докато издърпвате внимателно Приставката за третиране с другата ръка (фиг. 13).
ЗАБЕЛЕЖКА: Приставките за третиране се закрепват с магнити - издърпването би трябвало да е лесно
Съвет: Пазете неизползваните приставки на безопасно място (например в опаковката) и пазете прозореца и другите компоненти от повреда.
- 3. Леко натиснете Приставката за третиране върху уреда; трябва да щракне.

БЪЛГАРСКИ

Как да третираме:

1. Поставете Светлинния Прозорец плътно върху кожата – уверете се, че сензорите за контакт с кожата са напълно активирани. Ако Сензорите за контакт с кожата са в пълен контакт, импулсният бутон ще мига в бяло, а светодиодите отстрани на ръкохватката ще светнат, показвайки, че уредът е готов за произвеждане на импулс.
ЗАБЕЛЕЖКА: Ако Сензорите за контакт с кожата не са в пълен контакт с кожата, устройството няма да работи, когато натиснете импулсният бутон и ще издаде звук “бъзз”. Проверете дали сензорите са в пълен контакт в кожата.
2. Натиснете флаш бутона, за да се излъчи импулс. Следва да очаквате да видите ярко примигване на светлина (подобно на светкавица на фотоапарат) и да почувствате леко затопляне.
3. Преместете върху следващата зона и третирайте под формата на мрежа, за да осигурите пълно покриване на третираната зона.
 - За режим Единичен импулс, натискайте флаш бутона всеки път, когато се премествате до следващата зона.
 - При режим Мулти Импулс, дръжте пръста си върху флаш бутона, за да го държите натиснат и плъзнете към следващата зона, като се уверите, че държите сензорите за контакт с кожата напълно прилепнали към кожата. Следващият импулс ще се излъчи автоматично след 3 секунди (при режим на максимална мощност) (в режим на пълна мощност).
 - Ако по време на режим Мулти Импулс пуснете флаш бутона или загубите контакт с кожата, просто продължете третирането като повторите горните стъпки.

Третиране на лице (само за жени)

Окосмяването по лицето може да е много по-различно от това по тялото и кожата на лицето е по-чувствителна и е по-вероятно да бъде изложена на слънчевите лъчи; затова третирането на нежеланото окосмяване по лицето е различно от третирането на тялото – моля, уверете се, че сте прочели всички предупреждения и мерки за безопасност преди да започнете третиране на лицето.

ВАЖНО: Прецизната приставка е специално създадена за третиране на уникалните характеристики на косъмчетата по женското лице. НЕ използвайте Приставката за тяло за лицето си. Вижте раздел “Смяна на приставки” за повече информация. Прецизната приставка е предназначена единствено за употреба върху женското лицево окосмяване върху бузите, бакенбардите, брадичката, шията и над устните. (фиг. 2).

НЕ ИЗПОЛЗВАЙТЕ върху мъжка брада или мъжко окосмяване на лицето, тъй като резултатът може да е постоянен или неравномерен, което може да доведе до промени в характеристиките на лицевото окосмяване, които може да са нежелани.

ТРЕТИРАНЕ

Третиране на тялото

- За най-добри резултати, избягвайте припокриване на светлинните импулси. Това помага да се предотврати излагането на повече енергия отколкото е необходимо за потискане на растежа на косъмчетата. Това също така осигурява и да получите максимална употреба на лампата.
- За най-добри резултати винаги използвайте най-мощния режим, който не причинява дискомфорт на кожата. При подходящия режим ще усещате топлина, но не и дискомфорт.
- Можете да забележите, че кокалестите зони като лакти, пищяли и глезени са по-чувствителни по време на третиране. Това е нормално и не трябва да Ви тревожи. За да избегнете тази чувствителност, опитайте по време на третирането да изпънете кожата далеч от кокалестите зони.

Третиране на лицето

- Тествайте върху малка част от кожата – тъй като кожата на лицето е по-чувствителна, уверете се че сте тествали върху малка част преди да продължите. За повече информация, вижте раздел “Тествайте i-LIGHT върху Вашата кожа”
- Използвайте огледало, за да насочвате третирането – използвайте огледало за добър поглед върху зоната, която се третира и да Ви помогне да сте сигурни, че ще избегнете третиране на устните или всякакви други тъмни петна. Ако отразената светлина Ви е неприятна, можете да затваряте очи преди всеки импулс.

- Изпълвайте кожата за по-добър контакт – контурите на кожата може да направят трудно пълното активиране и притискане на контактните сензори към някои зони. Може да Ви е по-лесно да се опитате и да покриете зъбите си с горната си устна или да използвате езика си, за да изпълнете бузите си за по-добър контакт с кожата.

ГРИЖА СЛЕД ТРЕТИРАНЕ

След третиране кожата може леко да се зачерви и затопли. Това е нормално и след известно време ще изчезне. За да избегнете раздразването на кожата след третиране, взимайте следните мерки:

- Избягвайте излагане на слънце 24 часа след третиране. Предпазвайте кожата си със слънцезащитен фактор SPF 30 в продължение на 2 седмици след всяка процедура.
- Не удължавайте излагането на слънце като слънчеви бани, като използвате солариум или авто бронзанти в продължение на 2 седмици след последната процедура.
- След процедура поддържайте зоната чиста, а кожата хидратирана.
- Не взимайте гореща вана, душ и не посещавайте парни бани или сауна, докато зачервяването или чувствителността на кожата не изчезнат.
- Не обезкосмявайте (като използвате кола маска, конец или депилиращи кремове) по време на терапия – бръсненето е допустимо, ако избягвате да се бръснете 24 часа след всяка процедура.
- Не използвайте избелващи кремове или парфюмирани продукти 24 часа след процедурата.

ЛАМПА С 300,000 ИМПУЛСА

- Лампата ще произведе 300,000 импулса за живота си.
- Лампата в уреда има гаранция, която обхваща периода на гаранцията на продукта, който е посочен на гаранционната карта към продукта.
- Когато лампата стигне то 99% от технологичния си живот, един от светодиодите отстрани на ръкохватката ще светне в червено при включване.
- Когато лампата се изхаби, няма да можете повече да ползвате уреда.

ПОЧИСТВАНЕ НА ВАШЕТО i-LIGHT УСТРОЙСТВО

◆ ВНИМАНИЕ: Преди да почиствате вашето i-LIGHT устройство, уверете се, че устройството е изключено и захранващия кабел е изваден от устройството.

Периодичното почистване помага да се осигурят оптимални резултати и дълъг живот на устройството.

- За да почистите флаш прозореца, използвайте само кърпата без власинки, включена в комплекта към Вашето i-LIGHT устройство. Внимавайте да не надраскате или да не пукнете светлинния прозорец. Драскотините и пукнатините могат да намалят ефективността на уреда.
- При упорити петна на светлинния прозорец, навлажнете памучен тампон с хирургически спирт или спирт за разтривки, нанесете върху светлинния прозорец и внимателно почистете с кърпата без власинки.
 - ◆ **ВНИМАНИЕ:** Ако Светлинният Прозорец е напукан или счупен, уредът не трябва да се използва. Никога не надраскайте филтърното стъкло или металната повърхност във вътрешността на третиращата глава.
 - ◆ **ВНИМАНИЕ:** i-LIGHT е устройство с високо напрежение. Никога не го потапяйте във вода. Никога не чистете уреда или която и да е от неговите части под течаща вода или в миялна машина.

Съхранение

Изключете уреда от бутона, изключете го от контакта и го оставете да се охлади в продължение на 10 минути преди да го прибирате за съхранение.



БЪЛГАРСКИ

ОТСТРАНЯВАНЕ НА НЕИЗПРАВНОСТИ

- Винаги изцяло прочитайте тези инструкции преди да използвате i-LIGHT.
- Търсете информация в това ръководство за отстраняване на неизправности, ако имате някакви проблеми с i-LIGHT REVEAL, тъй като в този раздел са включени най-честите проблеми, които може да имате. Ако сте спазили инструкциите в този раздел и продължите да имате проблеми, моля, свържете се със Сервизен Център на Ремингтън за допълнително съдействие.

Бутонът за включване е включен, но уредът не работи.

- Уверете се, че уредът е включен към работещ електрически контакт.
- Опитайте да включите към друг контакт.

Уредът е надраскан или е счупен.

- Не използвайте уреда, ако е повреден. Ако имате притеснения относно използването на уреда, прекъснете използването му и се свържете със Сервизен Център на Ремингтън, за допълнително съдействие.

Включих уреда, но не мога да сменя режима.

- Опитайте да рестартирате уреда като го изключите и изчакайте няколко секунди преди отново да го включите.

Има странна миризма.

- Уверете се, че зоната е напълно обръсната преди третиране.

Третираните зони стават червени след третиране.

- Нормално е - зачервяването ще изчезне. Ако не стане, можете да преминете на Чувствителен режим. **ЗАБЕЛЕЖКА:** Ако уредът i-LIGHT се нагорещи, той ще премине в режим на изчакване - 5-те светодиода отстрани на ръкохватката ще започнат да светват един след друг. Изчакайте няколко минути, за да може ръкохватката да изстине. Не е необходимо да го изключите устройството. Светодиодите ще спрат да светват, когато устройството е готово да използване.

ЧЕСТО ЗАДАВАНИ ВЪПРОСИ

- За пълен списък на често задаваните въпроси, моля, посетете (www.remington-ilight.com)
- В:** Кои зони от моето тяло мога да третирам с i-LIGHT?
- О:** i-LIGHT е създаден за използване и от двата пола за зони под врата, включително краката, подмишниците, линията на бикините, ръцете, гърдите и гърба. Жените могат да го използват и за окосмяване на лицето в зоните под скулите.
- В:** Какви са рисковете при използване на i-LIGHT? Той безопасен ли е?
- О:** i-LIGHT е уред с доказана безопасност и ефективност, но като при всяко друго електронно устройство е важно да прочетете и следвате инструкциите за ползване и безопасност.
- В:** IPL опасна ли е за кожата след продължително използване?
- О:** Няма съобщения за каквито и да било странични ефекти или увреждане на кожата при продължително използване на интензивна пулсираща светлина (IPL).
- В:** Защо моите косъмчета растат независимо от терапиите?
- О:** Резултатите не са незабавни и индивидуалните резултати се различават. Повечето потребители ще започнат да забелязват по-малко косъмчета в рамките на 1 – 2 седмици след започване на третирането. През това време може да изглежда като че ли косъмчетата продължават да растат, но в действителност те се избутват навън. Растежът на косъмчетата е цикъл, който се състои от 3 различни фази, които продължават 18 – 24 месеца. Само косъмчетата, които са във фаза на активен растеж са податливи на третиране, ето защо за оптимални резултати са необходими множество процедури. Друга причина да продължава растежа би могло да бъде пропускането на зоната по време на третиране. Повторете режима на третиране, когато забележите повторен растеж.

- В: Защо не мога да използвам i-LIGHT след скорошно излагане на слънце?
- О: Излагането на слънце предизвиква наличие на високи нива на меланин и излага кожата на по-висок риск от изгаряне или мехури след третиране.
- В: Необходима ли е защита за очите докато използвам i-LIGHT?
- О: Не, той не е вреден за очите. i-LIGHT има защитна система, която предотвратява случайно задействане, когато устройството не е в контакт с кожата. Малките количества светлина, излъчена по време на терапия са подобни на светлината, излъчена от светкавица на фотоапарат и не са вредни за очите. Приставките за третиране са специално проектирани така, че да намалят до минимум изтичането на светлина. Ако отразената светлина не Ви е приятна, може да затваряте очи преди всеки импулс.

РЕЦИКЛИРАНЕ



За да се избегнат екологични и здравни проблеми поради наличие на опасни субстанции, уредите, акумулаторните и неакумулаторните батерии, обозначени с един от тези символи, не трябва да се изхвърлят заедно с несортирани общински отпадъци. Винаги изхвърляйте електрически и електронни продукти и, където е приложимо, акумулаторни и неакумулаторни батерии, на подходящо официално място за рециклиране/събиране.

شكرا لقيامك بشراء منتج Remington® الجديد. يرجى قراءة هذه التعليمات بعناية والاحتفاظ بها في مكان آمن. قم بإزالة جميع مواد التعبئة قبل الاستخدام.

تحذيرات واحتياطات السلامة هامة

إجراءات وقائية هامة

- يمكن استخدام هذا الجهاز بواسطة الأطفال الذين تتراوح أعمارهم من 18 سنوات وما فوق والأشخاص ذوي القدرات البدنية أو الحسية أو العقلية المنخفضة أو قليلي الخبرة والمعرفة إذا تم الإشراف عليهم/إرشادهم ويفهمون المخاطر المعنية. ويجب ألا يعيثر الأطفال بالجهاز. ويجب ألا يقوم الأطفال بالتنظيف والصيانة إلا إذا كان عمرهم أكبر من 18 سنوات وتحت إشراف.
- احفظ الجهاز والكابلات بعيدا عن متناول الأطفال دون سن 8 سنوات.
- لا تستخدم المنتج مع سلك تالف. ويمكنك الحصول على البديل عن طريق مراكز الخدمة الدولية التابعة لنا
- ⊗ جسم هذا الجهاز غير قابل للغسل أو مقاوم للماء. لا تضع الجهاز في سائل ولا تستخدمه بالقرب من ماء في بانيو أو حوض أو وعاء آخر ولا تستخدمه في الخارج.
- قد تتبعت أشعة بصرية خطيرة من هذا المنتج. لا يجب التحديق في مصدر الضوء فقد يكون ضارا للعين.
- استخدم هذا الجهاز للاستخدام المقصود فقط كما هو مبين في هذا الدليل.
- لا تستخدم الجهاز إذا كان تالفا أو به خلل.
- لا تترك الجهاز بدون مراقبة أثناء توصيله.
- حافظ على قابس الطاقة والسلك الكهربائي بعيدا عن الأسطح الساخنة
- لا تستخدم ملحقات غير الملحقات التي تقوم بتوريدها.
- لا تقم بثني أو جدل الكبل أو لفه حول الجهاز.
- لا تقم بتوصيل أو فصل الجهاز بأيدي مبللة.
- دع الجهاز يبرد قبل تنظيفه وتخزينه.

قبل بدء استخدام جهاز i-LIGHT:

تأكد من قراءة جميع التحذيرات ومعلومات السلامة. تأكد قبل أن تبدأ من أن جهاز i-LIGHT مناسب لك. استخدم مخطط الجلد والشعر الموجود في في مقدمة هذا الدليل وجهاز استشعار الجلد المدمج لتحديد إذا ما كان هذا الجهاز مناسب لك (الشكل 1).

تحذير: جهاز i-LIGHT غير مناسب للبشرة الداكنة للغاية أو لأصحاب البشرة السمراء. جهاز i-LIGHT غير فعال على الشعر الخفيف أو الشعر الرمادي وأقل فعالية على الشعر الأشقر والأحمر. للاستخدام على الوجه: مناسب فقط لشعر الوجه على الوجنتين، ومنطقة السوالف، والذقن ومنطقة الرقبة، وفوق الشفتين لدى الإناث (الشكل 2).

لا يجوز استخدامه على العينين، أو الحواجب أو الرموش. فالقيام بذلك يمكن أن يسبب أضرارا جسيمة وإصابة دائمة بالعين.

نوع الجلد

- لا تستخدمه على الجلد الداكن بشكل طبيعي لأنه قد يؤدي لظهور حروق وبثور وتغيرات في لون الجلد.
- لا تستخدمه على جلد أسمر أو بعد تعرض حديث للشمس لأنه قد يسبب حروقا أو إصابة الجلد.
- جهاز i-LIGHT غير فعال على الجسم الأبيض أو الرمادي أو الأشقر أو الأحمر الطبيعي أو شعر الوجه.

الأماكن التي لا تعالج:

- لا تستخدمه على فروة الرأس أو الأذنين.
- لا تستخدمه على وجه أو رقبة الذكور.
- لا تستخدمه على عظمة الوجنة (يستخدم لوجه الإناث)
- الأماكن التي لا تعالج:
- لا تستخدمه إذا كان لديك وشما أو ماكياج دائم في المنطقة المراد علاجها.
- لا تستخدمه على البقع البنية الداكنة أو السوداء مثل الشامات أو الوحمات أو النمش.
- لا تستخدمه على مكان جراحة حديثة أو قشر عميق أو مكان علاج بالليزر أو جروح أو جلد تعرض للتلطف أو حروق أو حروق بماء ساخن.

متى يتم عدم استخدام جهاز i-LIGHT

- لا تستخدمه إذا كان جلدك أسمر في منطقة العلاج المقصودة حيث قد يكون جلدك داكنا جدا وقد يسبب العلاج في المناطق السمراء تورم الجلد أو بثور أو قد يغير لون الجلد بشكل مؤقت. انتظر إلى أن تتلاشى السمرة قبل العلاج.
- لا تستخدمه على جلد عليه مستحضرات تجميل حيث قد يتسبب العلاج في هذه المناطق مؤقتا في تورم الجلد أو بثور أو قد يغير لون جلدك. تأكد من تنظيف منطقة العلاج المقصودة جيدا قبل استخدامه.
- لا تستخدم الوميض عدة مرات في نفس مكان العلاج خلال نفس الجلسة فقد يتسبب ذلك مؤقتا في تورم الجلد أو بثور أو قد يغير لون جلدك.

- لا تعالج أي منطقة أكثر من مرة في الأسبوع فذلك لن يسرع النتائج ولكن يمكن أن يزيد احتمال تورم الجلد أو ظهور تقرحات أو تغيير لون جلدك.
- لا تستخدمه على جلد تالف بما في ذلك الجروح المفتوحة أو القروح الباردة أو حروق الشمس أو مناطق تقشر الجلد أو تجدد الجلد خلال الـ 6-8 أسابيع الماضية.
- لا تستخدمه على جلد ملتهب بما في ذلك الطفح الجلدي أو تورم الجلد. فيمكن لهذه الأحوال جعل الجلد أكثر حساسية. انتظر شفاء المنطقة المصابة قبل الاستخدام.
- لا تستخدمه إذا كان جلدك حساسا للضوء. ولتحديد إذا ما كان يمكنك استخدام جهاز i-LIGHT REVEAL، قم بإجراء اختبار على رقعة صغيرة من الجلد وانتظر 24 ساعة لتحديد إذا ما كان هناك أي ردود فعل سلبية قبل العلاج على نطاق أوسع.
- لا تستخدمه إذا كنت حاملا أو مرضعة. فلم يتم اختبار جهاز i-LIGHT REVEAL على النساء الحوامل. والتغيرات الهرمونية شائعة أثناء الحمل أو الرضاعة الطبيعية ويمكن أن تزيد حساسية الجلد وخطر إصابة الجلد.
- لا تقم بالوميض على أي مواد أخرى غير الجلد.
- لا تستخدم جهاز i-LIGHT لأي غرض آخر غير إزالة الشعر.
- لا تعالج أي منطقة قد تحتاج يوما ما لنمو شعرك فيها مرة أخرى. فقد تكون النتائج دائمة ولا رجعة فيها.
- لا تستخدمه على الوجه إذا كان لديك تاريخا مع القروح الباردة فاستخدام الضوء النبضي المكثف (IPL) أو أي علاج يهيج الجلد يمكن أن يسبب تكرار القروح الباردة.
- إذا كنت تلقيت علاجات مهنية أو إكلينيكية أو بالليزر الذاتي أو بالضوء النبضي المكثف (IPL) أو بإزالة الشعر بالتحليل الكهربائي، انتظر 6 أشهر على الأقل قبل استخدام جهاز i-LIGHT REVEAL. وإذا كان لديك شعرا مشعرا أو منتوفا أو مزالا في منطقة العلاج، انتظر 6 أسابيع على الأقل قبل استخدام جهاز i-LIGHT REVEAL. يستخدم الجهاز الشعر الموجود تحت جلدك لتعطيل شعرك في الجذر ولهذا يكون غير فعال إذا تم سحب الشعر للخارج.
- لا تستخدمه مباشرة فوق أو بالقرب من الأجهزة الطبية النشطة القابلة للزرع مثل جهاز تنظيم ضربات القلب القابل للزرع أو جهاز الرجفان الداخلي أو أجهزة الأنسولين. ورغم أنه لم يتم الإبلاغ عن أية مشاكل مرتبطة باستخدام هذا الجهاز أثناء الدراسات الإكلينيكية، يوصى بمراعاة جميع تحذيرات الجهاز الطبي النشط القابل للزرع فيما يتعلق باستخدام الأجهزة الإلكترونية لمنع فشل أو تعطل أي جهاز نشط قابل للزرع.
- لا تستخدمه على أو بالقرب من أي شيء اصطناعي مثل زراعة السيليكون ووسائل منع الحمل وأجهزة تنظيم ضربات القلب ومنافذ الحقن تحت الجلد (موزع الأنسولين) أو الجروح.
- قد تؤثر أجهزة الاتصال اللاسلكي على جهاز i-LIGHT REVEAL ويجب إبعادها مسافة 3.3 متر على الأقل.
- لا تستخدمه على أو بالقرب من الحشوات المعدنية أو زراعة الأسنان أو المشابك.

المزايا الرئيسية لجهاز (الشكل 3)

10 سلك قطعة يد جهاز	1 مفتاح الكهرباء
11 نافذة الوميض	2 مدخل الكهرباء
12 أجهزة استشعار لمس الجلد	3 وحدة التغذية الكهربائية
13 رأس علاج الجسم	4 قطعة يد جهاز
14 رأس علاج الوجه	5 زر Flash
15 سلك الكهرباء	6 وضع الطاقة زر Flash
16 قماش خال من الوبر	7 الوضع الحساس زر Flash
17 جراب للتخزين (غير مبين)	8 لمبة مؤشر الاستعداد
	9 جهاز استشعار الجلد

بدء العمل

يرجى ثني الصفحات الأمامية والخلفية من دليل التعليمات هذا بحيث يمكنك الرجوع إلى الأشكال أثناء القراءة. تحلي بالصبر عند استخدام جهاز i-LIGHT لأول مرة فكما هو الحال مع أي منتج جديد، قد تستغرق بعض الوقت لتعود نفسك على المنتج. خصص الوقت الكافي للتعرف على جهاز i-LIGHT ونحن على ثقة بأنك سوف تستمتع بسنوات من الاستخدام الممتع والرضا التام.

التعرف على جهاز i-LIGHT

ما هو جهاز i-LIGHT؟

نظام i-LIGHT هو جهاز ثوري قائم على الضوء ومصمم لإزالة شعر الجسم وشعر وجه الإناث غير المرغوب فيه في المنزل. يستخدم جهاز i-LIGHT تكنولوجيا مماثلة مثبتة إكلينيكيًا محسنة للعلاج الشخصي يستخدمها أخصائيو الأمراض الجلدية وفي الصالونات.

ما هو الضوء النبضي المكثف (IPL) وكيف يعمل جهاز i-LIGHT؟

IPL - (الضوء النبضي المكثف) هي تكنولوجيا راسخة مستخدمة في جميع أنحاء العالم لأكثر من 15 عاما. ويستخدم جهاز i-LIGHT REVEAL هذه التكنولوجيا لإسقاط إضاءة على جلدك بضوء نبضي مكثف. يعمل النبض تحت سطح الجلد لاستهداف شعر الجذر مما يساعد على وقف نموه. (الشكل 4) تستهدف الطاقة في نبض الضوء التلوين الداكن وتظهر أفضل النتائج على الشعر الداكن.

جهاز i-LIGHT مخصص للاستخدام على درجات البشرة الفاتحة، والمتوسطة والداكنة (درجات البشرة 1 – 5).

ما يجب أن أتوقعه من جهاز i-LIGHT

النتائج غير فورية والنتائج الفردية تختلف. وسوف يلاحظ معظم المستخدمين ظهور شعر قليل في غضون 2-1 أسبوع بعد بداية العلاج. وخلال هذا الوقت قد يبدو أن الشعر ما زال ينمو ولكن يتم "دفعه" في الواقع (الشكل 5). ينمو الشعر في دورة من 3 مراحل مختلفة تستغرق 24-18 شهراً (الشكل 6). والشعر الذي في مرحلة النمو فقط قابل للعلاج ولهذا السبب هناك حاجة للعلاجات متعددة لتحقيق أفضل النتائج. من المهم مواصلة نظام العلاج الكامل والعلاجات التعويضية لضمان علاج كل شعر نشط.

نظام العلاج

وضع العلاج الكامل يقتضي الحصول على جلسة علاجية واحدة كل أسبوعين لمدة ثلاث جلسات. وقد تختلف النتائج الفردية، لذلك فقد يلزم إجراء علاجات متعددة للحصول على أفضل النتائج. سيحدث نمو لبعض أجزاء من الشعر وستكون أقل كثافة وأخف وأفتح لوناً من الشعر الأصلي. وإعادة النمو أمر طبيعي جداً وينبغي توقعه. بعد إكمال نظام العلاج الكامل، ستوفر العلاجات المتابعة مرة كل أربعة أسابيع نتائج أفضل. وسيعطي العلاج المستمر المنتظم كل أربعة أسابيع نتائج جيدة في غضون 8 إلى 12 أسبوعاً (قد تستغرق درجات لون البشرة الداكنة وقتاً أطول). لا يجوز استخدامه أكثر من مرة كل أسبوعين. ملاحظة: يجب تجنب علاج نفس المكان عدة مرات في جلسة واحدة لأن ذلك لن يحسن الفعالية ولكنه يزيد خطر تهيج الجلد.

التعرف على جهاز i-LIGHT

نافذة الوميض المجهزة بفلتر للأشعة فوق البنفسجية (الشكل 7)

تحذير: افحص دائماً نافذة الوميض قبل استخدامها لضمان عدم وجود تلف بالعدسة.

تحذير: نظف دائماً نافذة الوميض قبل الاستخدام بالقماش المزود الخالي من الوبر لضمان عدم وجود زيت أو مخلفات على العدسة.

جهاز استشعار لمس الجلد (الشكل 8)

تمنع آلية الأمان هذه الوميض العرضي. لن يومض الجهاز ما لم يتلامس جهازي استشعار الجلد مع الجلد بشكل كامل.

وضع التشغيل العادي، والوضع الحساس والوضع السريع (الشكل 9)

أزرار وضع التشغيل العادي، والوضع الحساس، والوضع السريع موجودة جميعاً على المقبض.

اختبار درجة البشرة (الشكل 10)

سيسمح بالاستخدام على لون الجلد المناسب فقط.

الملحقات:

رأس علاج الجسم للمناطق الكبيرة تحت الرقبة (الشكل 11).

رأس العلاج الدقيق للأجزاء الأصغر مثل الوجنتين، والسوالف، والذقن ومنطقة الرقبة وفوق الشفتين لدى الإناث (الشكل 12).

فك الملحقات (الشكل 13)

أمسكي بالرأس في الوضعيات الموضحة واسحبي مباشرة بقوة إلى الخارج لفك رأس المعالجة. عند إعادة وضع الرأس، سوف تساعدك الأجزاء الممغنطة في وضع رأس العلاج في مكانه.

التحضير للاستخدام

قم بإعداد جلدك للعلاج

- تأكد أن المنطقة المراد علاجها نظيفة وخالية من الزيوت ومزيلات العرق والعطور والماكياج والمستحضرات والكريمات. قم بحلق أو قص الشعر من المنطقة المراد علاجها.
- قد تفضل تشذيب الشعر عند الاستخدام في الوجه. وإذا كنت تقوم بالتشذيب، يجب أن قص الشعر لأقل من 0.5 ملم.
- لا تستخدم مطلقاً الشمع أو النتف أو الملاقط أو طرقاً أخرى لإزالة الشعر لأن الضوء النبضي المكثف (IPL) غير فعال إذا تم سحب الشعر.

إعداد جهاز i-LIGHT للاستخدام

- قم بتوصيل سلك الكهرباء بماخذ الحائط.

فحص لون جلدك

- لتحديد ما إذا كان لون البشرة مناسباً للاستخدام مع الجهاز، قارني بشرتك في مناطق العلاج المحددة مع قائمة درجات اللون الموجودة في الجزء الأمامي من هذا الدليل (الشكل 1).
- إذا ما كانت بشرتك تتوافق مع درجات البشرة الفاتحة، أو المتوسطة، أو الداكنة على قائمة درجة ألوان البشرة (Skin Tone 1 – 5)، يمكنك استخدام جهاز i-LIGHT.
- إذا ما كانت بشرتك في منطقة العلاج المحددة تتوافق مع أكثر الدرجات الداكنة في قائمة درجات اللون (Skin Tone 6)، لا تستخدم الجهاز (درجة اللون 6).

- يحتوي جهاز i-LIGHT على جهاز داخلي لاختبار درجة لون البشرة على الرأس المعالج وهو مصمم لمنع الوميض غير المقصود على البشرة الداكنة للغاية التي لا يمكن علاجها.
- إذا ما كانت بشرتك مناسبة للعلاج، سوف يصدر جهاز i-LIGHT وميض، وسوف تُضيء اللمبات على جانب المقبض باللون الأبيض.
- عدد اللمبات التي تُضيء تحدد درجة لون البشرة الخاصة بك.
- إذا ما كانت بشرتك داكنة للغاية بحيث لا يمكن علاجها، ستحصلين على وميض طاقة منخفض يتبعه أربع صافرات مسموعة مع إضاءة اللمبة الحمراء على جانب المقبض.
- إذا ما كنت تعتقدين أن بشرتك مناسبة بناءً على قائمة درجات لون البشرة (الشكل 1)، وعلى الرغم من ذلك، يومض الجهاز ويُصدر أربع صافرات مسموعة بعد ذلك، جربي علاج منطقة أخرى.

اختبر جهاز i-LIGHT على جلدك

اختبر جهاز i-LIGHT على قطعة صغيرة من الجلد وانتظر 24 ساعة لضمان عدم وجود ردود فعل سلبية.

1. ضع قطعة يد جهاز i-LIGHT على جلدك بحيث تنطبق نافذة الوميض على سطح الجلد.
 2. يرجى التحقق من تركيب أجهزة استشعار لمس الجلد جيدًا ومن إضاءة اللمبات باللون الأبيض.
 3. اختاري وضع التشغيل المفضل لديك، واضغطي على الزر للحصول على الوميض.
- نصيحة: حيث أنه من الطبيعي أن يبتدئ شعور بعدم الراحة بدرجة خفيفة إلى متوسطة، وقد ترغب في تشغيل الوضع الحساس فقط والتحول إلى وضع الطاقة العادي عند الشعور بالرغبة وبالراحة في ذلك.
4. انتظر لمدة 24 ساعة وانظر بعد ذلك في منطقة الاختبار. فإذا ظهر الجلد طبيعيًا، استكمل علاجك الأول الكامل عند مستوى الطاقة الذي تراه مناسبًا لك.
- ملاحظة: يجب اختبار الجهاز على الوجه أو الجسم الذي تريد علاجه.

اختاري وضع التشغيل

- جهاز اختبار درجة لون البشرة المدمج في رأس العلاج سوف يحدد مستوى التشغيل المناسب لكل من الإعدادات بناءً على درجة البشرة المسجلة.
- يحتوي جهاز i-LIGHT على 3 أنظمة تشغيل مختلفة، وضع التشغيل العادي (الطاقة الكاملة)، والوضع الحساس، والوضع السريع. سوف يكون الجهاز في وضع التشغيل العادي عند تشغيله. وسوف يومض لمدة 3 ثوانٍ تقريبًا على وضع التشغيل العادي ووضع التشغيل الحساس وأقل من ثانية في وضع التشغيل السريع.

وضع التشغيل العادي

وضع التشغيل العادي (الطاقة الكاملة) يمنحك أعلى مستويات التشغيل المناسبة لك. هذا الوضع مثالي في علاج كل من المناطق الكبيرة والمناطق الأصغر وسوف يمنحك نتائج أفضل. وضع التشغيل العادي سوف يمنحك أفضل النتائج في إزالة الشعر بعلاجات أقل، ولكنه قد يكون غير مريح.

وضع التشغيل

وضع التشغيل الحساس مناسب لمن يجد أن وضع التشغيل العادي قوي للغاية. وضع التشغيل الحساس هو الوضع الأقل قوة وذلك لمن لا يرغب في الشعور بعدم الراحة ويرغب في ذات الوقت في التخلص من الشعر الزائد. في هذا الوضع، قد تضطري إلى إجراء علاجات أكثر قليلًا للحصول على النتائج التي ترغب في الحصول عليها.

وضع التشغيل السريع

- وضع التشغيل السريع يمنح المستخدم خيار وقت الاستخدام الأقل في جلسة العلاج الواحدة. حيث يمكنك معالجة مناطق أكبر مع هذا الوضع بمعدل أسرع، ولكنه قد يكون أقل فعالية وقد يتطلب منك عدد جلسات علاج أكثر للحصول على النتائج التي ترغب فيهما.
- ملاحظة: عند تشغيل الجهاز، يتحول تلقائيًا إلى وضع التشغيل العادي (الطاقة الكاملة).
- إذا ما رغبت في تبديل وضع التشغيل، اضغطي على زر التشغيل الذي ترغبين فيه لإضاءته.
 - ما أن تتخذ القرار وتختاري وضع التشغيل المناسب لك، اضغطي نافذة العلاج بحزم على البشرة.
 - الآن صار الجهاز جاهزًا لإطلاق أول ومضة. لإيقاف تشغيل وضع التشغيل الحساس أو وضع التشغيل السريع، اضغطي برقة على الزر الذي قمت باختياره مرة أخرى، وسوف يعود الجهاز إلى وضع التشغيل العادي بحيث يكون زر الوميض هو الزر الوحيد المُضاء.

علاج

تغيير الملحقات

- يأتيك جهاز i-LIGHT مع غطائي علاج منفصلين:
- رأس علاج الجسم وهو مناسب للاستخدام على المناطق الكبيرة مثل شعر الجسم.
- رأس العلاج الدقيق وهو مخصص للاستخدام على المناطق الأصغر مثل شعر الوجه، والإبطين، ومنطقة البيكينيني لدى الإناث.

لتغيير الملحقات:

- تحذير:** تحقق دومًا من إيقاف عمل الوحدة ومن فصل سلك الكهرباء قبل نزع رأس العلاج.
- دعي الجهاز يبرد لمدة 5 دقائق قبل محاولة تغيير رأس العلاج.
 - 1. أدر مفتاح الكهرباء لوضع الإيقاف (off) وافصل سلك الكهرباء من المأخذ الكهربائي.
 - 2. احملي الجهاز بيد واحدة مع سحب رأس العلاج برفق باليد الأخرى. (الشكل 13).
- ملاحظة: رُووس العلاج مثبتة بمغناطيس في الجهاز، ومن المفترض أن تُسحب بسهولة.
- نصيحة: قومي بتخزين رأس العلاج في مكان آمن (مثل العبوة الخاصة به) مع الحرص على عدم إتلاف نافذة الوميض والمكونات الأخرى.

3. ادفعي رأس العلاج برفق مرة أخرى في الجهاز، وتحققي من صدور نقرة دلالة على دخوله في مكانه.

كيفية العلاج:

1. ضع نافذة الوميض بقوة على الجلد - وتأكد من تعشيق أجهزة استشعار لمس الجلد بشكل كامل. إذا كانت حساسات ملامسة البشرة ملامسة تماماً للبشرة، سوف يوميض زر الوميض باللون الأبيض، وسوف تُضيء اللمبات على جانب المقبض دلالة على استعداد الجهاز للوميض. ملاحظة: إذا لم تكن أجهزة استشعار لمس الجلد ملامسة تماماً للبشرة، لن يعمل الجهاز عند الضغط على زر الوميض وسوف تصدر عنه "طنين" بسيط. تحققي مرتين من ملامسة أجهزة استشعار لمس الجلد تماماً للبشرة.
 2. اضغط زر الفلاش لإصدار ومضة. يجب أن تتوقع أن ترى ومضة ضوء ساطع (مشابهة لفلاش الكاميرا) ويجب أن تشعر بإحساس خفيف بالدفء.
 3. انتقل إلى المنطقة التالية وعالج الجلد بنمط يشبه الشبكة لضمان تغطية منطقة العلاج بشكل كامل.
- في وضع الوميض الواحد، اضغط زر Flash كلما انتقلت إلى المنطقة التالية.
 - في وضع الوميض المتعدد، اجعل إصبعك على زر Flash لإبقائه مضغوطاً وانتقل إلى المنطقة التالية مع التأكد من تعشيق أجهزة استشعار لمس الجلد بشكل كامل. وسيتم إرسال الوميض التالي تلقائياً بعد 3 ثوان (في وضع الطاقة الكاملة).
 - أثناء وضع الوميض المتعدد، إذا تركت زر Flash أو لم تعد تلمس الجلد، قم باستئناف العلاج بتكرار الخطوات المذكورة أعلاه.

علاج الوجه (لاستخدام الإنثا فقط)

يمكن أن يكون شعر الوجه مختلفاً جداً عن شعر الجسم ويميل جلد الوجه إلى أن يكون حساساً وأكثر عرضة لأشعة الشمس فوق البنفسجية ولذلك يختلف علاج شعر الوجه غير المرغوب فيه عن علاج الجسم - يرجى التأكد من قراءة تحذيرات واحتياطات السلامة بعناية قبل بدء علاج الوجه. هام: رأس العلاج الدقيق مصمم خصيصاً لعلاج بعض السمات التي يختص بها شعر الوجه لدى الإنثا. لا تستخدمي رأس علاج الجسم على الوجه. لمزيد من المعلومات يرجى مراجعة الجزء الخاص بـ "تغيير الملحقات". رأس العلاج الدقيق مخصصة فقط للاستخدام على شعر الوجه على الوجنتين، والسوالف، ومنطقة الرقبة، وفوق الشفتين. (الشكل 2). لا تستخدمه على لحي الذكور أو شعر الوجه فقد تؤدي النتائج الدائمة أو غير المنتظمة إلى حدوث تغييرات في خصائص الوجه قد لا تكون مرغوبه.

نصائح العلاج

علاج الجسم

- لأفضل النتائج، تجنب تراكب الومضات. فهذا يساعد على منع التعرض لمزيد من الطاقة أكثر من اللازم لكبح نمو الشعر.
- يضمن أيضاً حصولك على أقصى استفادة من اللمبة.
- لأكثر النتائج فعالية، استخدم دائماً أعلى مستوى من الكثافة التي لا تسبب إزعاجاً على الجلد. ويجب أن يشعرك مستوى الاستخدام بدفء على الجلد ولكن دون أن يسبب إزعاجاً.
- قد تلاحظ أن المناطق العظمية مثل المرفقين والسيقان والكاحلين أكثر حساسية أثناء العلاج. وهذا أمر طبيعي ويجب ألا يكون مدعاة للقلق. ولتجنب هذه الحساسية، حاول مد الجلد أثناء العلاج بعيداً عن المنطقة العظمية.

علاج الوجه

- اختبر على قطعة جلد - ولأن جلد الوجه يميل لأن يكون أكثر حساسية، تأكد من الاختبار على قطعة صغيرة قبل المتابعة. انظر "اختبر جهاز i-LIGHT على جلدك" لمزيد من التفاصيل.
- استخدم مرآة لتوجيه علاجاتك. يتم استخدام مرآة لعرض المنطقة المراد علاجها بشكل جيد وللمساعدة على ضمان تجنب علاج الشفاه أو أي بقع داكنة أخرى. وقد ترغب في إغلاق عينيك قبل كل وميض إذا كان الضوء المنعكس مزعجاً.
- قم بمد الجلد لتحسين تلامس الجلد - قد يجعل محيط الجلد من الصعب ضغط أجهزة استشعار لمس الجلد بشكل كامل في بعض المناطق. وقد تجد الأمر أسهل وتحاول لف شفك العليا على أسنانك أو تستخدم لسانك لمد خديك لتحسين تلامس الجلد.

رعاية بعد العلاج

قد تواجه بعد العلاج احمراراً طفيفاً أو إحساساً دافئاً على جلدك. وهذا أمر طبيعي وسوف يختفي بسرعة. ولتجنب تهيج جلدك بعد العلاج، اتخذ الاحتياطات التالية:

- تجنب التعرض للشمس لمدة 24 ساعة بعد العلاج. وقم بحماية الجلد باستخدام SPF 30 لمدة أسبوعين بعد كل علاج.
- لا تتعرض للشمس لمدة طويلة مثل حمامات الشمس باستخدام فراش سمرة أو سمرة ذاتية لمدة أسبوعين على الأقل بعد آخر علاج.
- بعد العلاج، حافظ على المنطقة نظيفة وجافة واشرب الكثير من الماء للحفاظ على الجلد رطباً.
- لا تستحمي بالماء الساخن، أو تدخل إلى غرف البخار والساونات حتى يختفي أي احمرار أو تحسس في البشرة وحتى تعود البشرة إلى طبيعتها.
- لا تزيل الشعر (بالتشميع أو التنف أو الخيوط أو الكريمات) أثناء العلاج - الحلاقة مقبولة طالما تتجنب الحلاقة لمدة 24 ساعة بعد كل علاج.
- لا تستخدم كريمات تبيض أو منتجات معطرة لمدة 24 ساعة بعد العلاج.

لمبة الوميض 300,000

- تصدر اللمبة 300,000 ومضة طوال عمرها الافتراضي.
- يستمر ضمان اللمبة الموجودة في هذا الجهاز لفترة الضمان بأكملها كما هي مذكورة في بطاقة الضمان المرفقة مع هذا المنتج.
- عندما تصل اللمبة إلى 99% من العمر التشغيلي لها، سوف تضئ أحد اللمبات على جانب المقبض باللون الأحمر أثناء التشغيل.
- عند استهلاك اللمبة تماماً، لن تتمكني من استخدام الجهاز.

تنظيف جهاز i-LIGHT

- تنبيه: قبل تنظيف جهاز i-LIGHT ، تأكد من أن مفتاح الكهرباء في وضع الإيقاف (OFF) ومن أن سلك الكهرباء مفصول من الوحدة الأساسية.
- يساعد التنظيف المنتظم على ضمان أفضل النتائج وعمر طويل لجهاز i-LIGHT. ويمكن مسح السطح الخارجي للوحدة الأساسية وقطعة اليد بقطعة قماش مبللة قليلاً للتنظيف.
- لتنظيف نافذة الوميض، استخدم فقط قطعة القماش الخالية من الوير الموجودة مع جهاز i-LIGHT. واحرص على عدم خدش أو قطع نافذة الوميض. فقد تقلل الخدوش والشظايا فعالية الوحدة.
 - للبقع الصعبة في نافذة الوميض، قم بترطيب قطعة قطن بكحول جراحي أو كحول فرك، وضعها على نافذة الوميض ونظفها برفق بقطعة القماش المرفقة الخالية من الوير.
- تحذير: يجب عدم استخدام الوحدة إذا تشققت أو انكسرت نافذة الوميض. ولا تقم مطلقاً بخدش زجاج الفلتر أو السطح المعدني داخل رأس العلاج. تحذير: جهاز i-LIGHT عالي الجهد. لا تضعه مطلقاً في الماء. ولا تقم مطلقاً بتنظيف الوحدة أو أي من أجزائها تحت صنوبر أو في غسالة صحن.

التخزين

قم بإيقاف الوحدة وفصلها ودعها تبرد لمدة 10 دقائق قبل التخزين.

حل المشاكل

- قم دائماً بقراءة هذه التعليمات بالكامل قبل استخدام جهاز i-LIGHT.
- راجع دليل حل المشاكل هذا إذا واجهت أي مشاكل بجهاز i-LIGHT، حيث يتناول هذا القسم المشاكل الأكثر شيوعاً التي يمكن أن تواجهها مع جهاز i-LIGHT. إذا اتبعت التعليمات الواردة في هذا القسم ولكنك ما زلت تواجه مشاكل، يرجى الاتصال بمركز خدمة Remington® لمزيد من المساعدة.
- **مفتاح الكهرباء في وضع التشغيل (ON) ولكن الوحدة لا تعمل.**
- تأكد من توصيل الوحدة بأخذ كهربائي يعمل.
- حاول التحول إلى منفذ مختلف.
- تبدو الوحدة مشروخة أو مكسورة.
- لا تستخدم الوحدة في حالة تلفها. وإذا كان لديك مخاوف حول استخدام الوحدة، توقف عن استخدامها واتصل بمركز خدمة Remington® لمزيد من المساعدة.
- **قمت بتشغيل الوحدة، ولكنني لم أتمكن من تغيير الوضع**
- حاول إعادة ضبط الوحدة بإيقافها والانتظار عدة ثوان قبل تشغيلها مرة أخرى.
- هناك رائحة غريبة.
- تأكد من أن المكان مخلوق تماماً قبل بدء العلاج.
- **الأمكان المعالجة تصبح حمراء بعد العلاج.**
- هذا أمر طبيعي ويجب أن يختفي الاحمرار. إذا لم تتجحي، جربي التحول إلى الوضع الحساس.
- ملاحظة: إذا ما تعرض جهاز i-LIGHT للسخونة الشديدة، سوف يتحول الجهاز إلى وضع الانتظار. في وضع الانتظار، سوف تضئ 5 من اللمبات الموجودة على جانب المقبض واحدة تلو الأخرى. انتظري بضع دقائق كي يبرد المقبض. لا داعي لإيقاف عمل الوحدة، فسوف تنطفئ اللمبات عندما يكون الجهاز جاهزاً للاستخدام من جديد.

الأسئلة المتكررة

- للحصول على قائمة كاملة للأسئلة المتكررة، يرجى زيارة موقع (www.remington-ilight.com)



س. ما هي مناطق جسمي التي أستطيع علاجها بجهاز i-LIGHT؟
ج. تم تصميم جهاز i-LIGHT لاستخدام اللجنين على الأماكن الموجودة تحت الرقبة بما في ذلك الساقين وتحت الإبطين وخط bikini والذراعين والصدر والظهر. ويمكن للإناث استخدامه أيضاً على شعر الوجه تحت عظمة الوجنة.

س. ما هي مخاطر استخدام جهاز i-LIGHT؟ وهل هو آمن؟
جهاز i-LIGHT آمن وفعال، ولكن مثله مثل سائر الأجهزة الإلكترونية، فإن قراءة تعليمات التشغيل وتحذيرات السلامة واتباعها أمر هام للغاية.

س. هل الضوء النبضي المكثف (IPL) خطر على الجلد بعد استخدامه لمدة طويلة؟
ج. لم يتم الإبلاغ عن أي آثار جانبية أو تلف بالجلد بسبب استخدام الضوء النبضي المكثف (IPL) لمدة طويلة.

س. لماذا ينمو شعري رغم العلاجات؟
ج. النتائج غير فورية والنتائج الفردية تختلف. وسوف يلاحظ معظم المستخدمين ظهور شعر قليل في غضون 2-1 أسبوع بعد بداية العلاج. وخلال هذا الوقت قد يبدو أن الشعر ما زال ينمو ولكن يتم "دفعه" في الواقع.
ينمو الشعر في دورة من 3 مراحل مختلفة تستغرق 24-18 شهرا. والشعر الذي في مرحلة النمو فقط قابل للعلاج ولهذا السبب هناك حاجة لعلاجات متعددة لتحقيق أفضل النتائج.
وقد يكون هناك سبباً آخر لاستمرار النمو هو فقد المكان أثناء العلاج. كرر نظام العلاج عندما تلاحظ إعادة النمو الشعر.

س. لماذا لا يمكنني استخدام جهاز i-LIGHT بعد تعرض حديث للشمس؟
ج. التعرض للشمس يسبب مستويات عالية من الميلانين تكون موجودة وتعرض الجلد لحروق أو بثور أكثر خطورة بعد العلاج.

س. هل أحتاج حماية للعين أثناء استخدام جهاز i-LIGHT؟
ج. لا، فهو غير ضار للعين. يتميز جهاز i-LIGHT بنظام أمان يمنع الوميض غير المقصود عندما لا يلمس الجهاز الجلد. وتمثل كمية الضوء الصغيرة المنبعثة أثناء العلاج كمية ضوء وميض كاميرا وهي ليست ضارة بالعين.
رؤوس العلاج ذات التصميم الخاص تحد من تسرب الضوء.
وقد ترغب في إغلاق عينيك قبل كل وميض إذا كان الضوء المنعكس مزعجاً.

إعادة التدوير

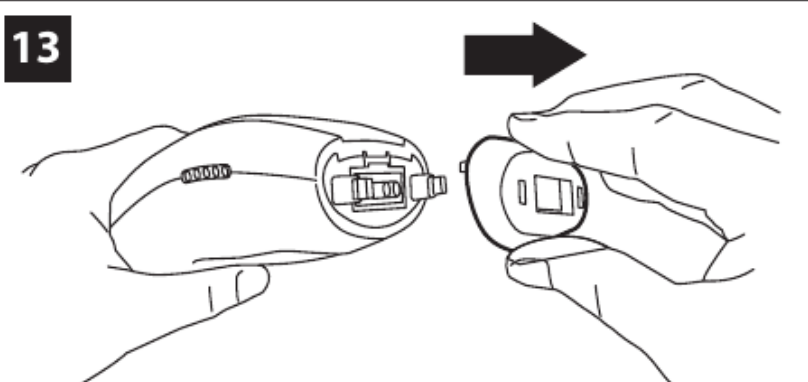
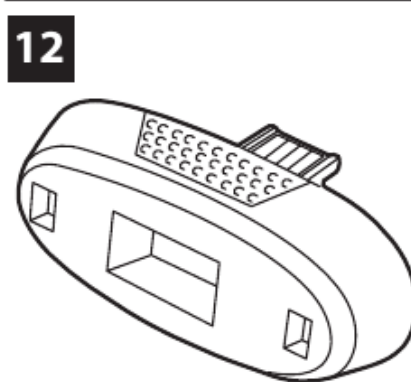
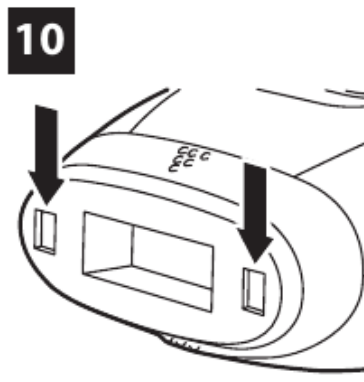
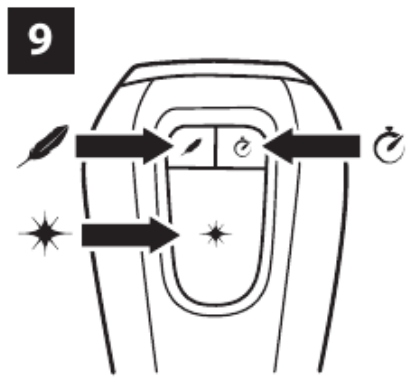
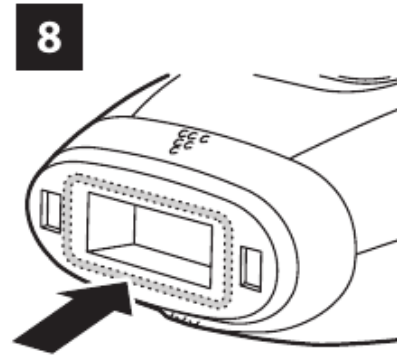
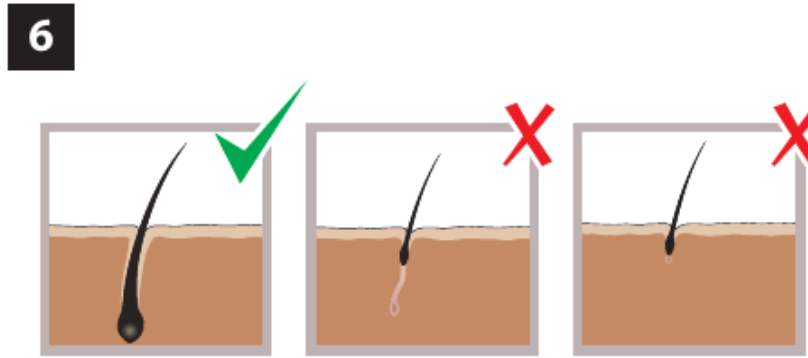
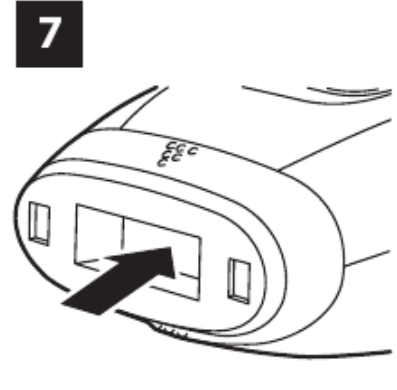
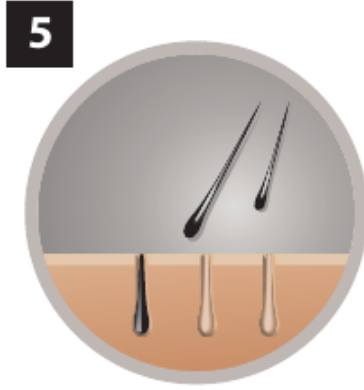
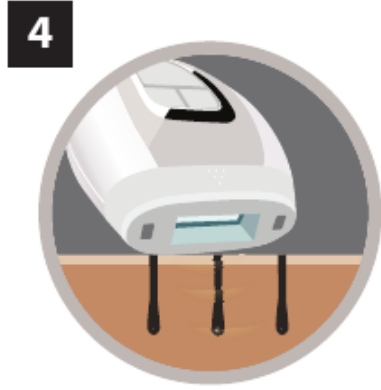
لتجنب المشاكل البيئية والصحية الناجمة عن المواد الخطرة، يجب عدم التخلص من الأجهزة، والبطاريات القابلة لإعادة الشحن والبطاريات غير القابلة لإعادة الشحن التي تحمل علامة واحدة من هذه الرموز مع نفايات البلدية غير المصنفة. يجب دائماً التخلص من المنتجات الكهربائية والإلكترونية، وكذلك إذا أمكن، البطاريات القابلة لإعادة الشحن وغير القابلة لإعادة الشحن، في نقطة رسمية مناسبة لإعادة التدوير/تجميع المخلفات.

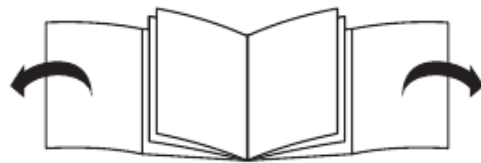












Model No IPL8500

Taşıma ve nakliye sırasında dikkat edilecek hususlar :

- Ürünü düşürmeyiniz
- Darbelere maruz kalmamasını sağlayınız
- Cihazı nakliye sırasında orijinal ambalajında taşıyınız.

Bakanlıkça tespit ve ilan edilen kullanım ömrü 7 yıldır.

Çin Halk Cumhuriyetinde üretilmiştir.

220-240B~50/60Гц 180-195 Вт

19/INT/ IPL8500 T22-0005649 Version 06 /19

Remington® is a Registered Trade Mark of Spectrum Brands,Inc., or one of its subsidiaries
VARTA Consumer Batteries GmbH & Co. KGaA, Alfred-Krupp-Str. 9, 73479 Ellwangen, Germany
www.remington-europe.com

© 2019 Spectrum Brands, Inc.