

EN

Mibro Watch Lite2

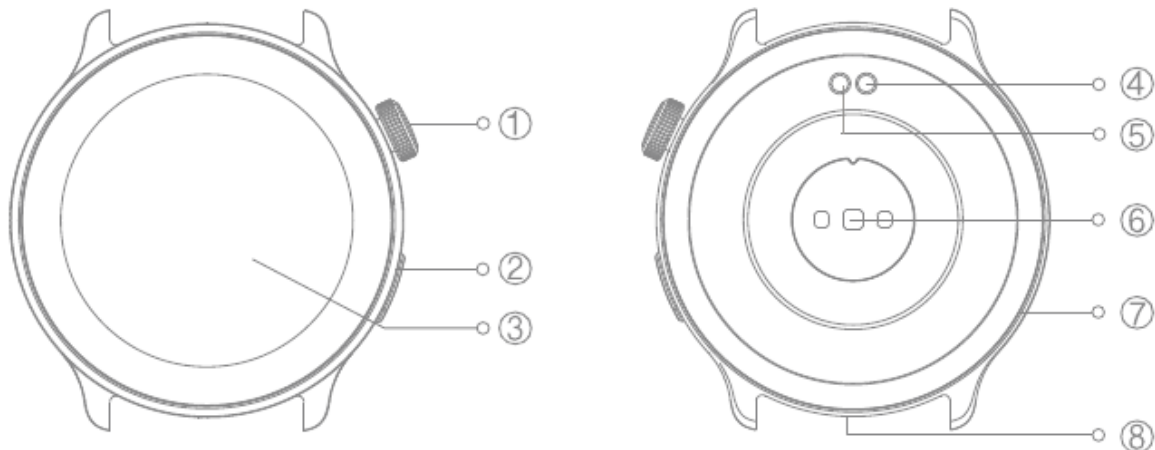
User Manual

mibro

Please read this manual carefully before using the product and keep it properly.

Product description

Packing list: Mibro Watch Lite2 (including Leather strap) X 1, Quick Guide X 1, User manual X 1, Magnetic charger X 1, Silicone strap X 1.



- | | |
|--|--|
| <p>① Home button
Turning On: Long press the button for 2 seconds until the screen lights up
Turning Off: Long press the button for 2 seconds until the screen turns off
Return: Click
Rotating: menu scrolling operations</p> <p>② Shortcut Button</p> | <p>③ Full touch display</p> <p>④ Charging port (Positive)</p> <p>⑤ Charging port (Negative)</p> <p>⑥ Heart rate sensor</p> <p>⑦ Sound outlet</p> <p>⑧ Mspicrophone</p> |
|--|--|

Connect the watch

- ① Please scan the QR code to download the "Mibro Fit" App.
- ② Please use "Mibro Fit" to scan the QR code for pairing.



Untie a watch

- ① Android system: directly delete the APP software to unbind the device.
- ② IOS system: jump to the system interface of the device according to the prompt, and click to ignore the device in the system interface.

