

# Dreame Wireless V9 Vacuum Cleaner User Manual

dreame



# Directory

Installation Instructions	four
Operating Dreame Vacuum Cleaner®	eight
Cleaning, Maintenance and Parts Replacement	ten
Storage for Dreame Vacuum Cleaner®	thirteen
Product Specifications	fourteen
Troubleshooting	fifteen
After-sales Services	sixteen



# Important Safety Instructions

Before using Dreame Vacuum Cleaner please read User Manual carefully to avoid electric shock, fire hazards and other accidents to cause injuries due to unsafe uses or handling.

## Warning!

- Dreame Vacuum Cleaner is not intended for use by persons (including children) with reduced physical, sensory or reasoning capabilities, or lack of experience and knowledge. They should be supervised or instructed by a responsible person concerning use of the appliance to ensure safety.
- Do not allow children to handle or use Dreame Vacuum Cleaner as a toy. Close attention is necessary when the appliance is used by or near children.
- Do not use Dreame Vacuum Cleaner outdoors or on wet surfaces, only in dry environment. Do not touch the electric plug or parts of the appliance with wet hands to prevent shock. To avoid injuries by fire or explosion, please inspect Battery and charger for any damage before use.
- Soft-cloth Roller, Battery, Metal Extension Wand and Main Machine of Dreame Vacuum Cleaner are all electric components and must not be immersed in water or liquids.
- To clean Rollers or other parts of Dreame Vacuum Cleaner, firstly turn power off to prevent accidental movement causing injury. Never operate the appliance without having Soft-cloth Roller, Dust Collector and/or Filter properly installed.
- Only Battery Charger that comes with Dreame Vacuum Cleaner package should be used. Unauthorized device may cause fire hazard on Battery.
- Do not use Dreame Vacuum Cleaner to pick up water, flammable/combustible materials, such as petrol, or poisonous liquids, such as bleach, ammonia and drain cleaner.
- Do not use Dreame Vacuum Cleaner to pick up gypsum dust, ashes from fireplace or burnt objects, such as charcoal, cigarettes and matches.
- Do not use Dreame Vacuum Cleaner on sharp subjects, such as broken glasses, nails, screws and coins. Otherwise, damages may occur to the appliance.
- Do not operate Dreame Vacuum Cleaner with air intake and moving parts near hair, fingers and body parts or loose clothing. Never point openings, Wand or Vacuuming Heads at the eyes or ears or in the mouth.
- Do not place object on any openings on Dreame Vacuum Cleaner. Do not use the appliance when suction port or opening is blocked. Regularly clean the openings to keep them free of dust, lint, hair, etc. ensuring proper suction for vacuuming.
- Do not rest Dreame Vacuum Cleaner on unstable objects, such as chairs and tables, to avoid accidental fall that can injure a person or cause damage to the appliance. Should such damage occur, please contact Customer Service immediately for repairs. Never repair the appliance by yourself.
- Follow strictly the procedures described on User Manual for battery charging. Charging Battery at temperatures beyond the allowed limits can seriously damage Battery.
- Use only the accessories and replacement parts recommended by Dreame Technology.
- Do not operate before securely attaching Dust Collector and Filter in place.
- Unplug from wall plate when idling for an extended period or before maintenance or servicing Dreame Vacuum Cleaner.
- Be extra careful when operating on staircases.
- Do not service, charge battery or operate Dreame Vacuum Cleaner outdoors, areas around swimming pool or bathroom.

**FIRE WARNING** – Do not apply fragrance or scented products on Filter, as they contain flammable chemicals that can cause fire.

**Please read User Manual carefully before operating and keep it for future reference.**

Dreame Vacuum Cleaner is intended for household cleaning only.

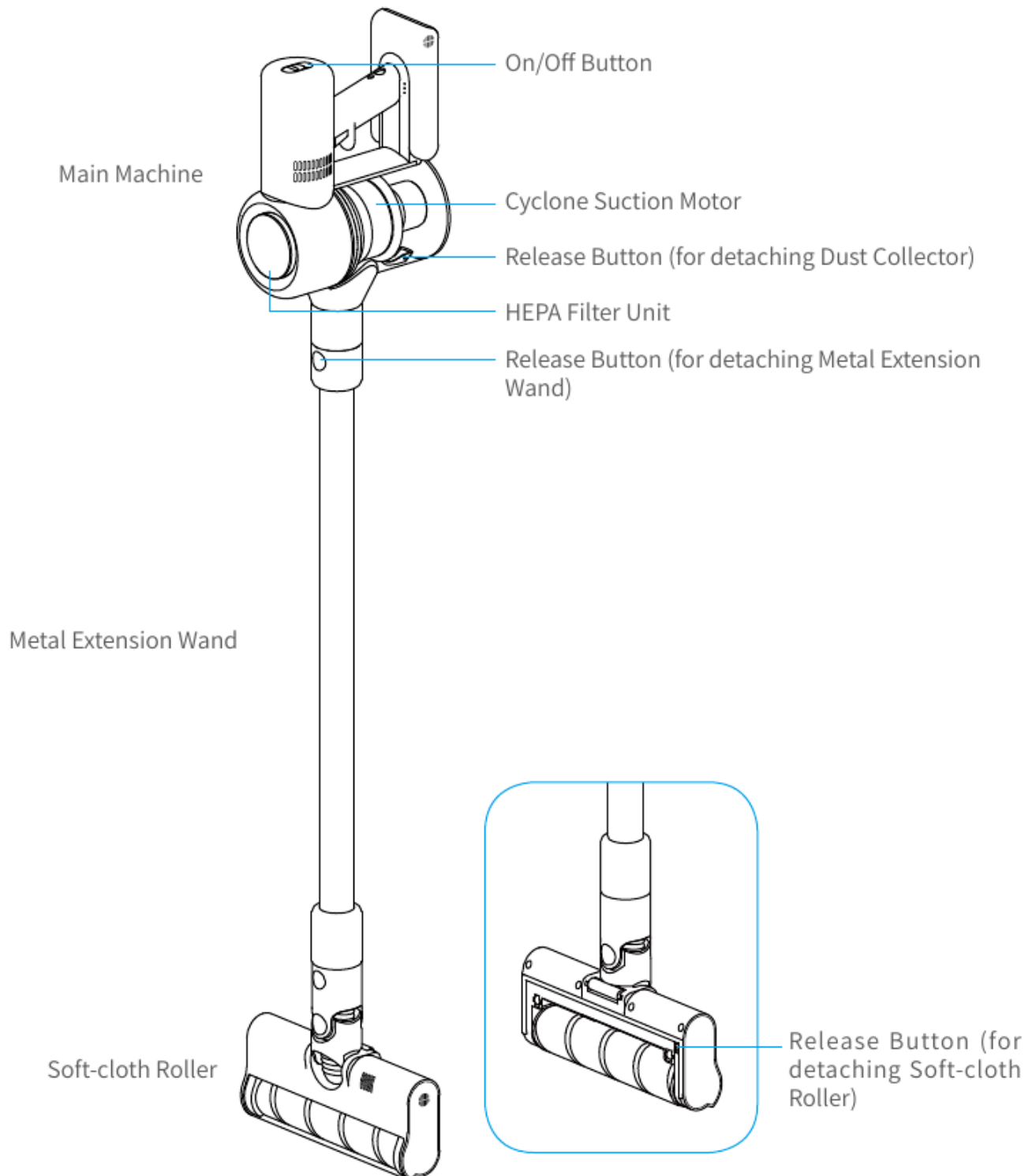


# Installing Dreame Vacuum Cleaner

## Open the package

Open the carton, remove packing materials and check to make sure of contents to include all parts listed on User Manual. Hold Dreame Vacuum Cleaner® and remove plastic bag. Save the carton and packing materials for possible need to ship the appliance for repairs.

### Product introduction





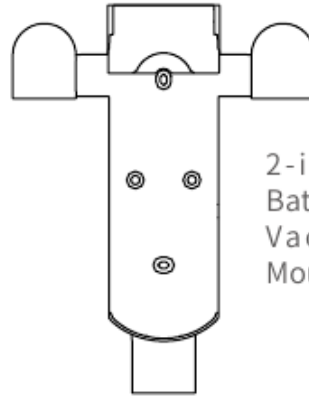


# Installing Dreame Vacuum Cleaner

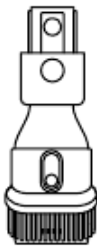
## Accessories list



2-in-1 Flat Vacuuming Head



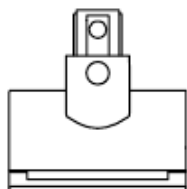
2-in-1 Bracket for Battery Charging and Vacuuming Heads Mounting Station



2-in-1 Brush Vacuuming Head



Transformer



Electric Bug Removal Head

### Transformer

Main Machine	x 1
Electric Bug Removal Head	x 1
Soft-cloth Roller	x 1
2-in-1 Flat Vacuuming Head	x 1
2-in-1 Brush Vacuuming Head	x 1
2-in-1 Bracket for Battery Charging and Vacuuming Heads Mounting Station	x 1
Metal Extension Wand	x 1
Transformer	x 1
Screws	x 2
Plastic Screw Anchors	x 2



# Installing Dreame Vacuum Cleaner

## Assembling Procedures

### 1. Placements of Soft-cloth Roller and Metal Extension Wand

As shown in diagram, hold Soft-cloth Roller in left hand and insert the end of Metal Extension Wand straight into port of Roller with right hand until it clicks.



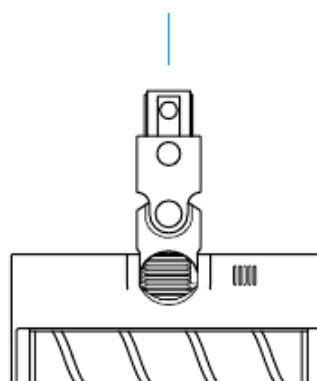
### 2. Connecting Main Machine with Metal Extension Wand

Matching the electric contacts on Main Machine and Metal Extension Wand, push the two parts together until it clicks.



### 3. Installing 1 2-in-1 Battery Charging and Vacuuming Heads Mounting Station

On a wall not in the kitchen or places prone to wetness, drill two 8 mm diameter 30mm deep holes where you want to locate Station for battery charging. Insert Plastic Screw Anchors and secure Bracket on the wall.





# Installing Dreame Vacuum Cleaner

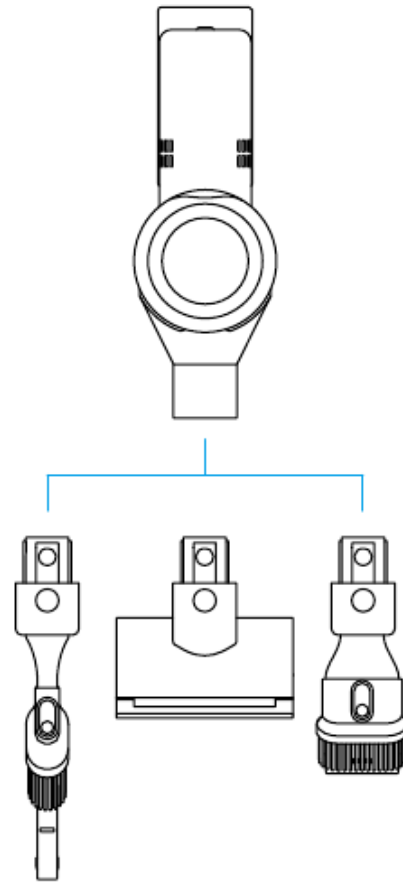
## Attaching Accessories

For your convenience, Dreame Vacuum Cleaner comes with the following accessories. Use them as needed.

### 1. Connecting Electric Bug Removal Head to Main Machine

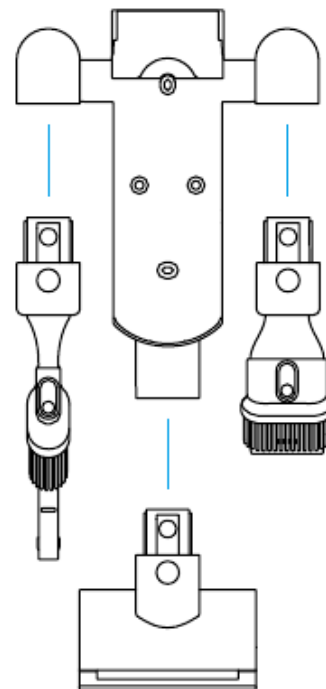
Insert the round end of Electric Bug Removal Head snugly into air intake port of Main Machine.

Attention: Same procedure applies to attaching 2-in-1 Flat Vacuuming Head or 2-in-1 Brush Vacuuming Head.



### 2. 2-in-1 Bracket used for mounting accessories

Secured on the wall, Bracket serves to dock Vacuuming Heads in addition to using it for battery charging.



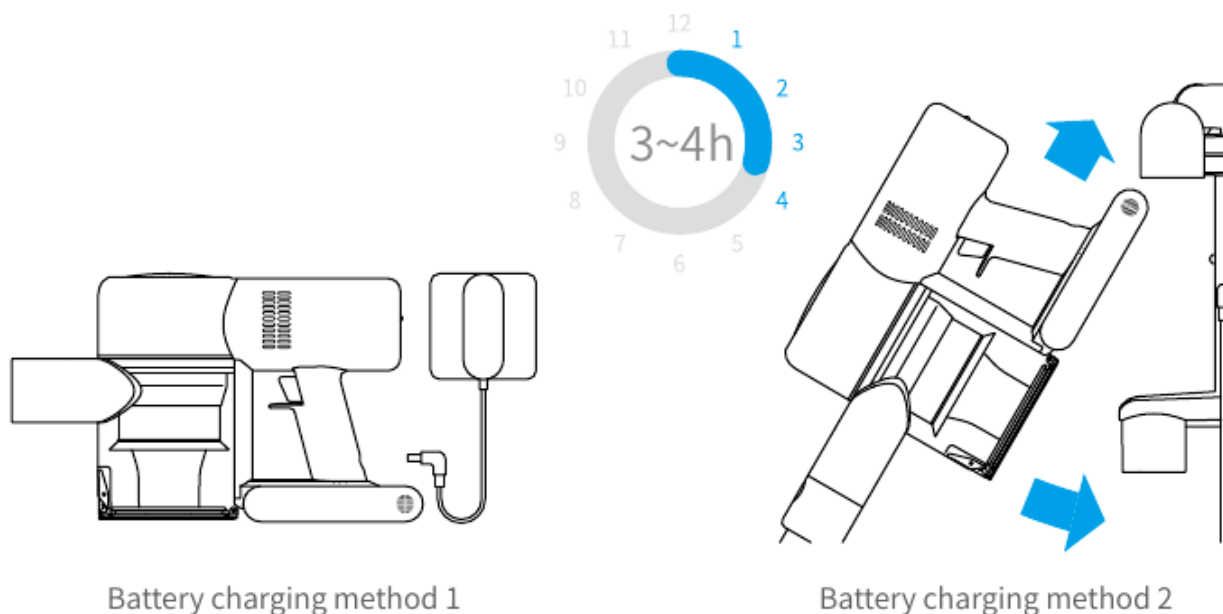


# Operating Dreame Vacuum Cleaner

## Battery Charging

Attention: Battery may not be fully charged when used for the first time. It is recommended that it be charged according to the following steps. When Battery is fully charged, the blinking indicator light will begin to light continuously.

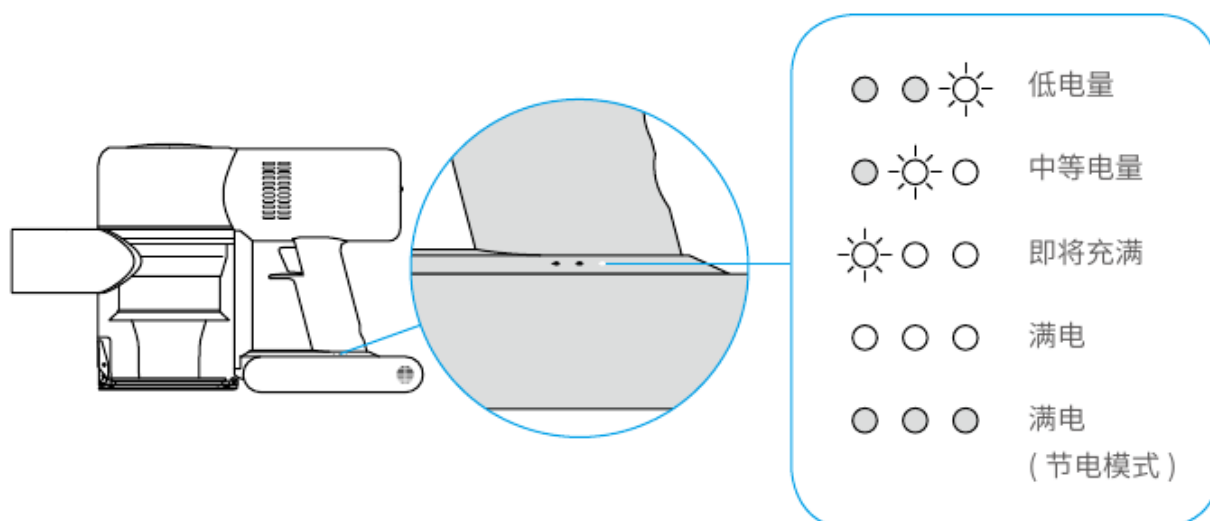
When Battery power becomes low, be sure to re-charge it. If the power is too low, Main Machine will shut off automatically to protect Battery.



Battery charging method 1

Battery charging method 2

Attention: For the first time using Dreame Vacuum Cleaner, please charge Battery fully and discharge entirely, then recharge it to maximize the battery life. It takes about 3 to 4 hours to fully charge Battery. During charging, the right-hand indicator lamp blinks initially and light continuously when a low level of charge has been reached. The middle lamp starts to blink and light continuously at the time when a median level of charge has achieved. And, as the charging is complete, the left-hand lamp will stay on for 10 minutes before shutting off into a standby mode.



- ● ☀ 低电量
- ☀ ● 中等电量
- ☀ ● ● 即将充满
- ● ● 满电
- ● ● 满电  
(节电模式)

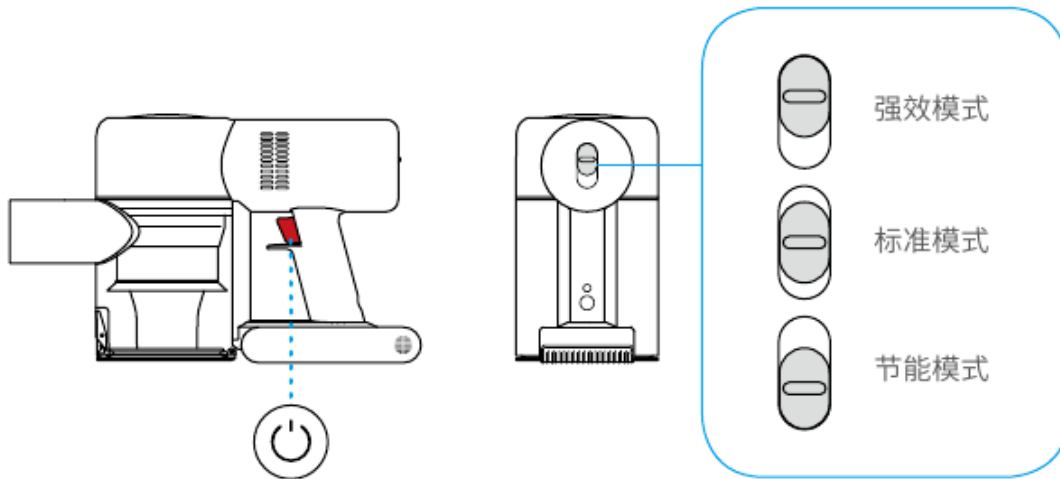




# Operating Dreame Vacuum Cleaner

## Operations of Main Machine

Remove Main Machine from 2-in-1 Bracket at Charging and Mounting Station, press On/Off Button on the handle to start or stop Cyclone Suction Motor. With power on, slide Switch to select strong, standard or energy-saving vacuuming mode.



## Use of Soft-cloth Roller

Soft-cloth Roller can be used on carpet, hardwood or tile floor.

Attention: During operation, any large objects, too much of fibrous materials or accidental catching of fingers will immediately cut off power ceasing the operation to avoid injury to user or mechanical failure to the appliance.

## Uses of Accessories

1. 2-in-1 Flat Vacuuming Head: suitable for cleaning surfaces of bed, sofa and furniture, or minute insects, debris and dust.
2. 2-in-1 Brush Vacuuming Head: best for cleaning cracks and crevices, hidden spots on doors and windows, and the like.
3. Electric Bug Removal Head: designed for removing minute bugs hidden beneath surfaces of sofa and beddings that require some pounding action for effective cleaning.



# Cleaning Maintenance and Parts Replacement

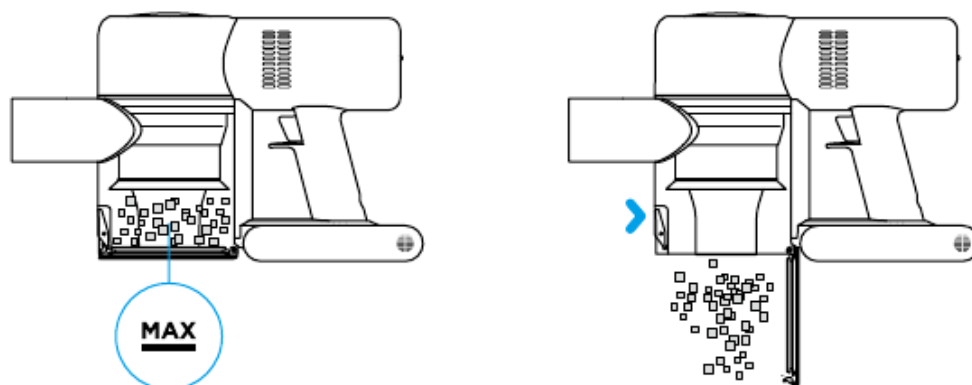
## Cleaning Dust Collector and Filter

Attention: New inlet air purifier HEPA Filter Unit for replacement can be purchased from store you bought Dreame Vacuum Cleaner

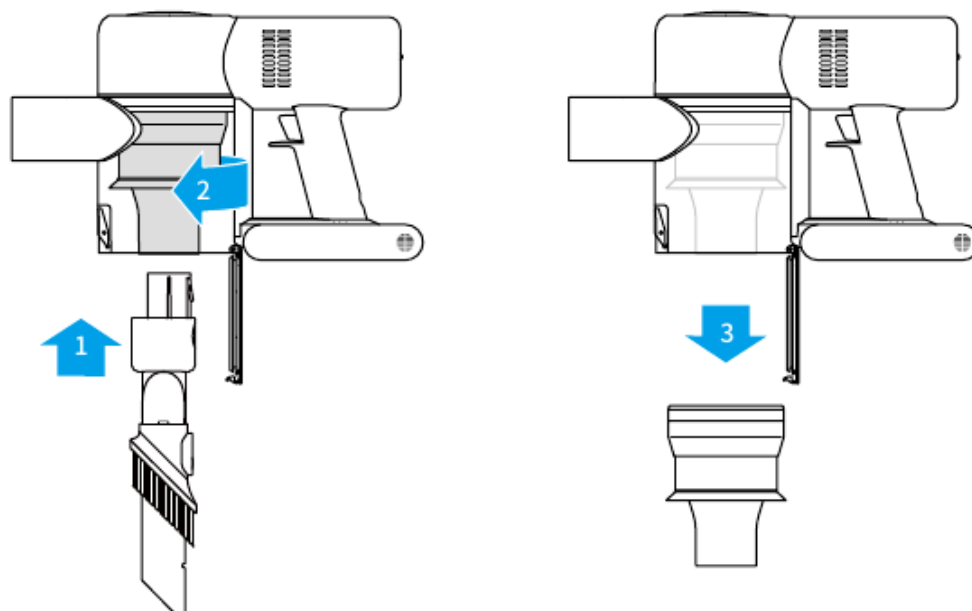
It is recommended that Dust Collector be cleaned after every use. When air filtering system is clogged with dirt, it must be cleaned, washed or replaced. After used for a long time, Soft-cloth Roller may collect hairs and fibers that need be cleaned to warrant an efficient working condition.

### 1. Cleaning Dust Collector

Press Release Button to open the cover on Dust Collector to discard dirt and debris. Do not wait until too full to empty Collector. Remove Cyclone Suction Motor from the housing by turning at direction (2) as shown on diagram for a thorough cleaning. Reinstall the part after complete drying.



Friendly suggestion: To facilitate the part removal, attach Flat Vacuuming Head (1) to the air suction port of Cyclone Suction Motor and turn in direction of (2), then detach the part for cleaning.





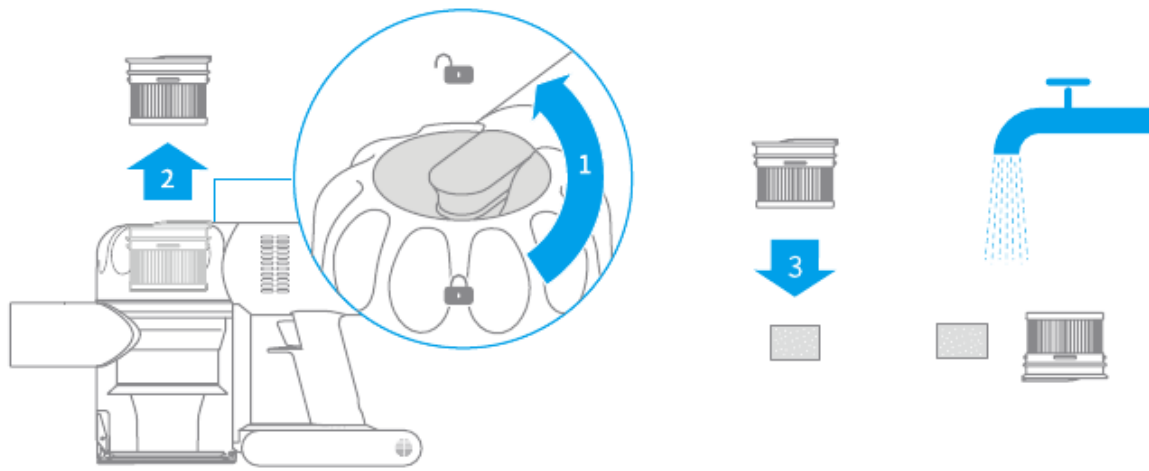
# Cleaning Maintenance and Parts Replacement

## Cleaning Dust Collector and Filter

### 2. Washing HEPA Filter Unit

Securely hold Main Machine and turn in direction (1) as shown in diagram to remove HEPA Filter Unit cover for cleaning.

Hint: Remove Sponge Pad in HEPA Filter Unit prior to washing Unit.



After washing, cleaning and thoroughly drying Unit, reassemble in reverse order.

Attention: Inlet air HEPA Filter Unit should be completely dried before reassembling and be sure to place Sponge Pad centrally onto Unit.

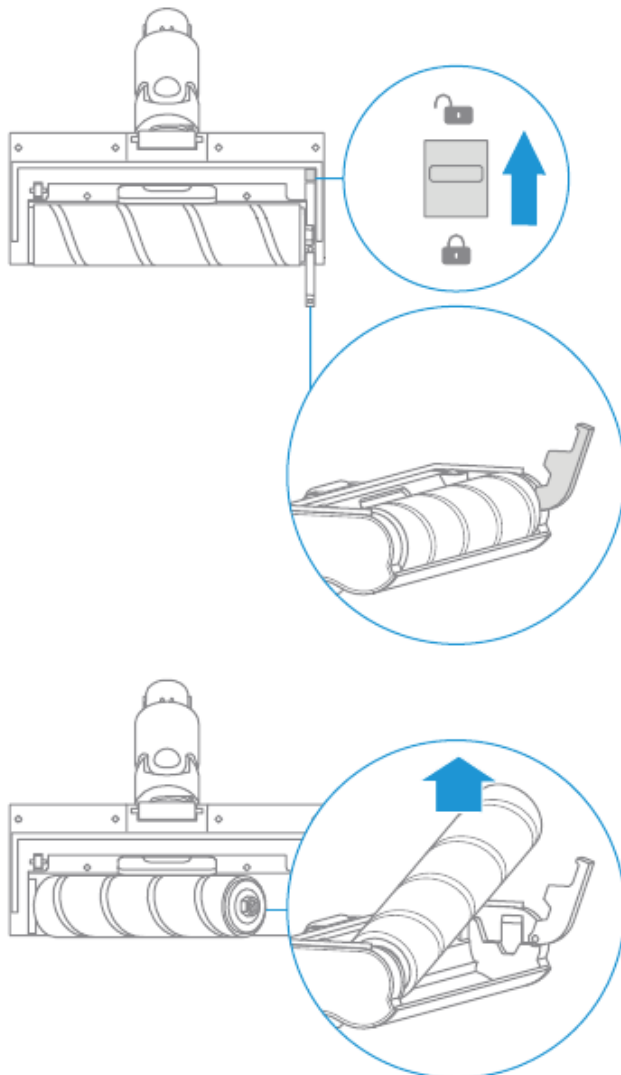




# Cleaning Maintenance and Parts Replacement

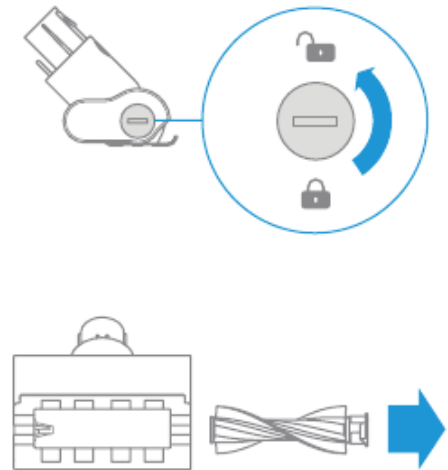
## Cleaning Soft-cloth Roller

1. Use finger to push Release Button upward as shown in diagram to open the side guard plate to expose Soft-cloth Roller.
2. Lift one end of Roller to release it from the housing.
3. Reassemble parts in reverse order after cleaning.



## Cleaning Electric Bug Removal Head

Turn knob on Head counterclockwise as shown in diagram till it clicks to release the roller for cleaning. Reassemble in reverse order after cleaning.







# Storage for Dreame Vacuum Cleaner

## Disconnecting Main Machine and Metal Extension Wand

Securely hold Dreame Vacuum Cleaner® before pressing Release Button on Metal Extension Wand to disconnect it from Main Machine.

## Disconnecting Soft-cloth Roller and Metal Extension Wand

For long-term storage or cleaning Soft-cloth Roller, press Release Button to disconnect Roller from Wand.

## Long-term storing Dreame Vacuum Cleaner

Place disassembled parts in dry, cool place avoiding direct sun exposure for long-term storage.



# Troubleshooting

## Common problems and solutions

Problem	Possible Cause	Solution
Cleaner does not work	No or insufficient power supply	Fully charge Battery
	Blockage on suction port	Clean suction ports
Weak suction	Dust Collector, Filter are dirty	Cleaning Collector and Filter
	Brushes are clogged by hairs or fibrous materials	Clean Brushes
Excessive noise when operating	Blockage on Suction Port or Head	Clear blockages
At starting, the first lamp lights up in red	Faulty battery pack	Contact Dreame for exchange
At starting, the first lamp blinks in red	Mismatched Transformer	Use proper transformer
Failure on battery charging	Main Machine is not correctly connected to Battery Charger	Make sure of good connection
	Connection is good, but still not working	Contact Dreame for service

If none of the measures solved the problem you experience with the product, please contact Dreame Customer Service for assistance.



# After-sales Services

If assistance is needed in operating Dreame Vacuum Cleaner, please contact Customer Service by phone at 400 875 9511, send email to [www.Dreame.tech](http://www.Dreame.tech), or postal mail to Shanggingwan Headquarters, Building E3 Economic Garden, 2288 Wuzhong Boulevard, Suzhou, Jiangsu





Do not operate near flames



Do not rest or charge battery near a heater



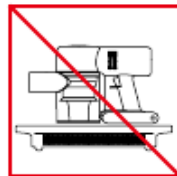
Do not try to pick up water or liquid



Do not pick burning subject



Do not put hand close to vacuum head in operation



Do not place Main Machine on or near a stove



















