

SVEN[®]
YOU WANT - WE CAN

**Stereo Headphones
with Microphone**

USER'S MANUAL



AP-520

www.sven.fi

Congratulations on your purchase of the SVEN headphones!

APPLICATION

Sven AP-520 stereo headphones with a microphone are designed for operation with PC sound cards and other compatible systems. They can be also used in VoIP telephony, video conferencing, multimedia applications, interactive games, for speech recognition and learning foreign languages.

SAFETY PRECAUTIONS

- Don't use the stereo headphones while driving.
- Don't use the stereo headphones at high volume for a long time (more than 15 minutes), as this may cause hearing impairment.

SPECIAL FEATURES

- 2*3.5 mm (3 pin) connector for PC
- Unilateral connection of the cable
- Volume control on the cable
- Adjustable headband
- Heavy-duty non-tangling cable with fabric braid
- Extra cable attachment support

CONNECTION AND OPERATION

- Connect the headphones connector to the audio output jack of your audio source (PC, laptop, MP3 player), as shown in Fig. 1.
- Insert the microphone connector into the microphone input jack of your audio source.
- Adjust the headphones volume level as desired with the volume control wheel on the cable.

ENG

SVEN[®]
 YOU WANT – WE CAN

Stereo Headphones with Microphone

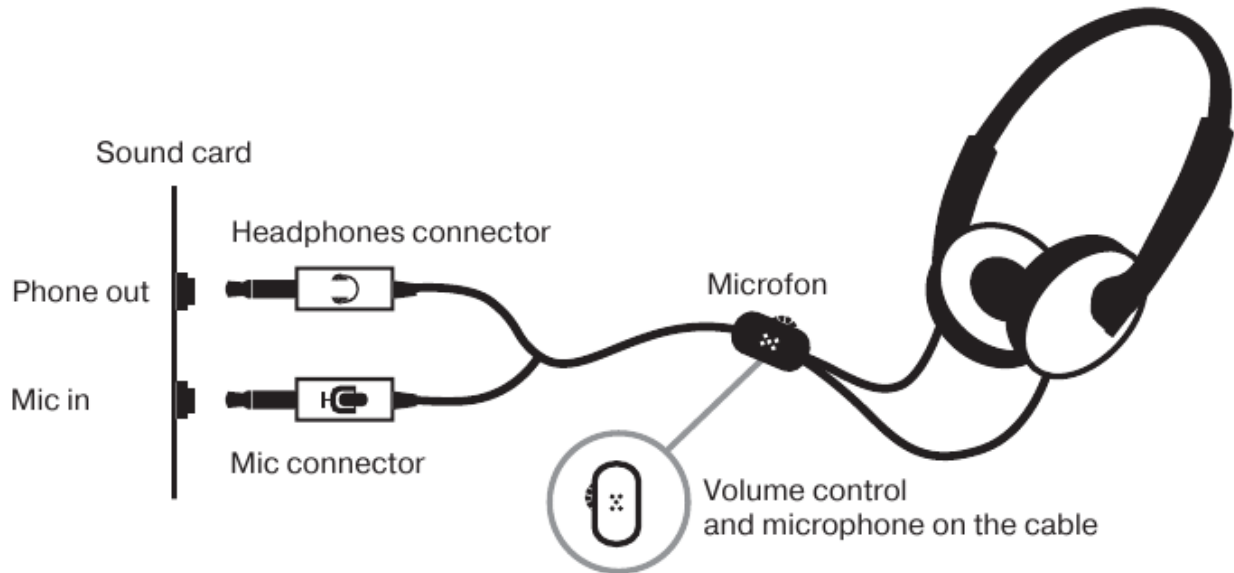


Fig. 1. Connection diagram

TECHNICAL SPECIFICATIONS

Parameter, measurement unit	Value
Sensitivity, dB	headphones: 106 ± 2 microphone: -48 ± 3
Frequency range, Hz	headphones: 20 – 20,000 microphone: 50 – 16,000
Membrane, mm	Ø 40
Connector type	Ø 2*3.5 mm (3 pin) mini jack (stereo)
Cable length, m	2.2

Stereo Headphones with Microphone

SVEN®
YOU WANT – WE CAN



Модель: **AP-520**

Импортер в России: ООО «СКАНДИТРЕЛ», 111024,
РФ, г. Москва, ул. Авиамоторная, д. 65, стр. 1.

Уполномоченная организация в России:

ООО «РТ-Ф». 105082. г. Москва. ул. Фридриха