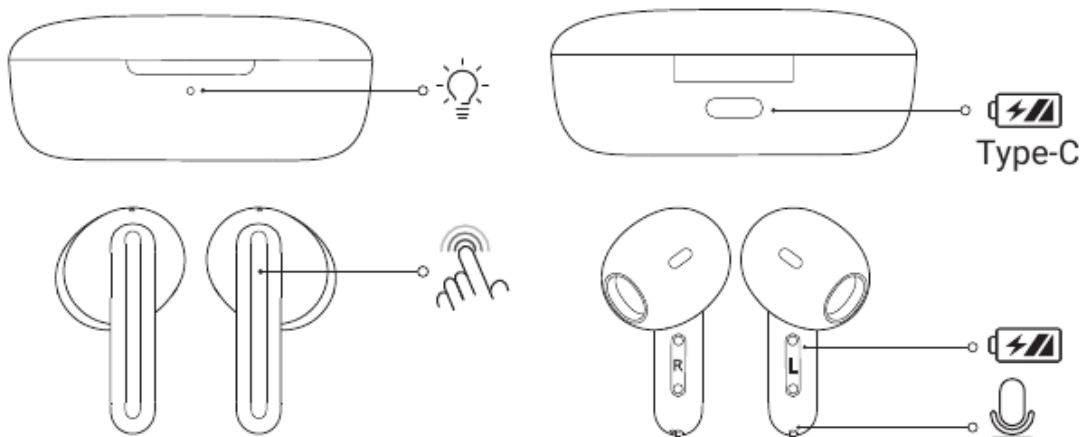
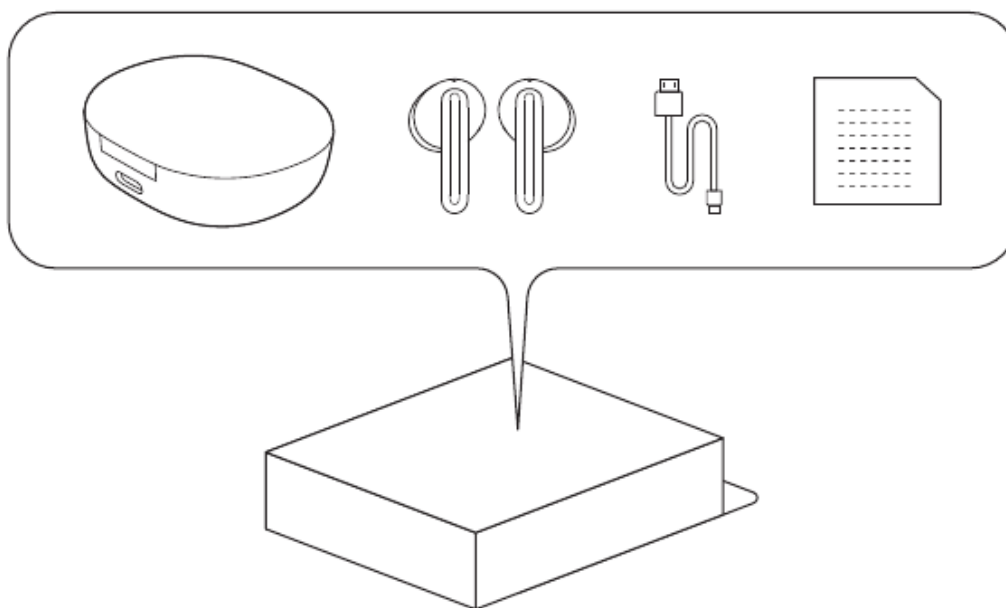
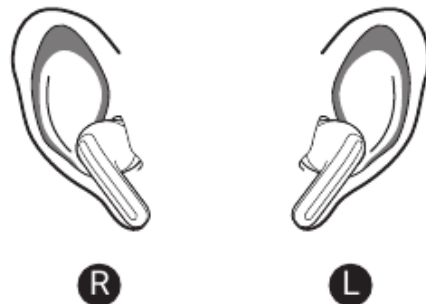
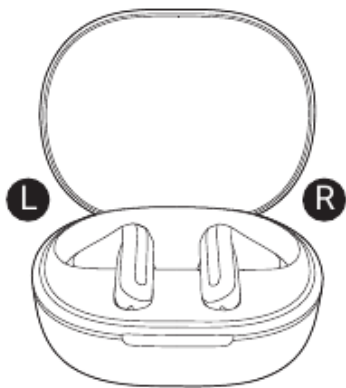
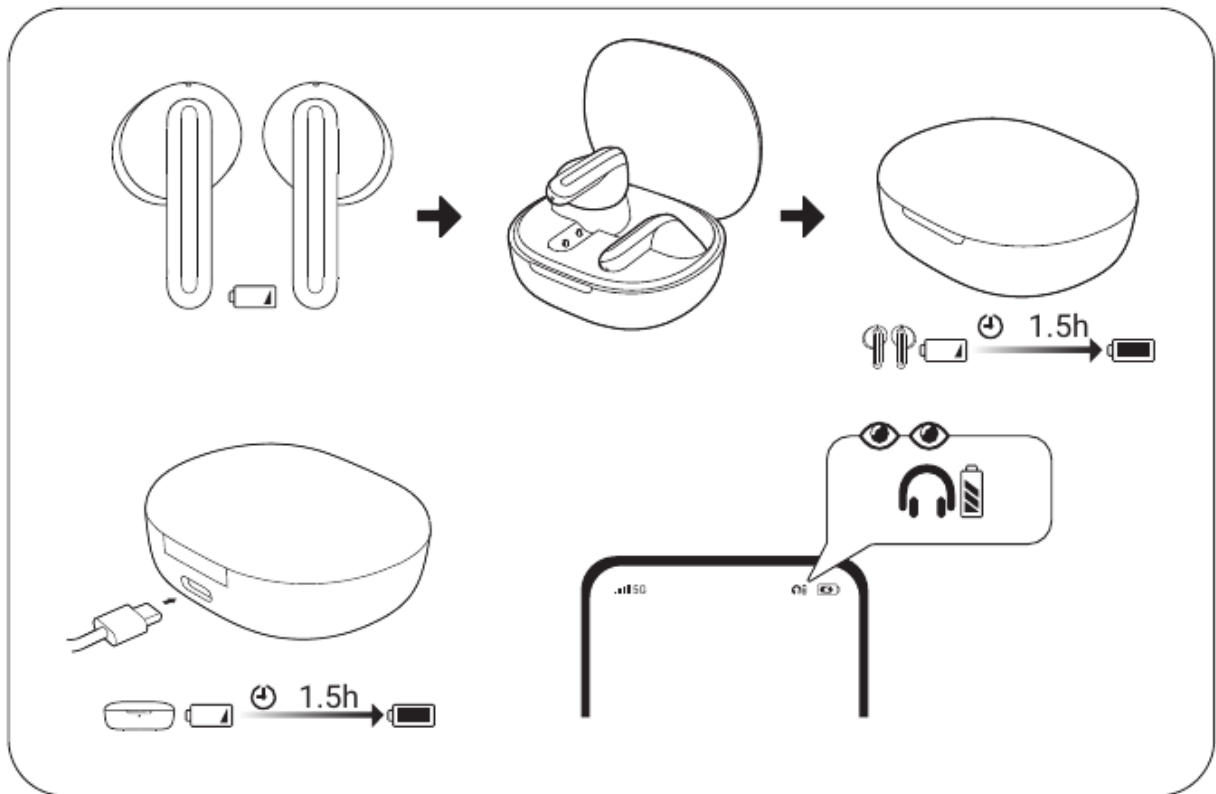


# Redmi Buds 4 Lite User Manual



Read this manual carefully before use, and retain it for future reference.





02



















