

# Dreame Cordless Vacuum Cleaner User Manual

# THANK YOU

## FOR PURCHASING THIS DREAME VACUUM CLEANER.

---

### Registration Quick Start

Welcome to register a Dreame account by scanning the QR code.

You are available for the User Manual and Special Offers.



---

With it you are obtaining a high quality product that is engineered for optimal performance. If you have any questions on the product, please contact us: [aftersales@dreame.tech](mailto:aftersales@dreame.tech).

---

<b>EN</b>	User Manual .....	1
<b>DE</b>	Benutzerhandbuch .....	27
<b>FR</b>	Manuel d'utilisation .....	55
<b>IT</b>	Manuale utente .....	83
<b>ES</b>	Manual de usuario .....	111
<b>RU</b>	Руководство пользователя .....	139
<b>SA</b>	دليل المستخدم .....	167
<b>HE</b>	מדריך למשתמש .....	192

# Safety Instructions

To prevent accidents including electric shock or fire caused by improper use, please read this manual carefully before use and retain it for future reference.

## Warning

- This product can be used by children aged from 8 years and above and persons with physical, sensory, intellectual deficiencies, or limited experience or knowledge under the supervision of a parent or guardian to ensure safe operation and to avoid any risk of hazards. Cleaning and maintenance shall not be made by children without supervision.
- The vacuum is not a toy. Children shall not play with or operate this product. Please exercise caution when using the vacuum near children. Do not allow children to clean or maintain the vacuum unless supervised by a parent or guardian.
- Do not use the vacuum outdoors or on wet surfaces. Only use the vacuum on dry indoor surfaces. Do not touch the plug or any part of the vacuum with wet hands.
- To reduce the risk of fire, explosion, or injury, check to make sure the lithium battery and charging adapter are undamaged before use. Do not use the vacuum if either the lithium battery or charger is damaged.
- The smart multi-brush bar, mini electric brush, battery, carbon fiber rod, and vacuum are electrically conductive and should not be immersed in water or other liquid. Make sure to dry all filters after cleaning.
- Prevent injury caused by moving parts. Turn off the vacuum before cleaning the smart multi-brush bar. The smart multi-brush bar, dust cup and filter must all be properly installed before using the vacuum.
- Only use the original charging adapter. Never use an unoriginal adapter, as this may cause the lithium battery to catch fire.
- Do not use the vacuum to pick up flammable or combustible liquids, such as gasoline, or bleach, ammonia, drain cleaners or other liquids.
- Do not use the vacuum to pick up sharp or hard objects, such as glass, nails, screws, or coins, which may damage the machine. Do not use the vacuum to pick up drywall particles, ashes like fireplace ash, or smoking or burning materials such as coal, cigarette butts, or matches.
- Check the area to be cleaned before use. To prevent the openings from being blocked, clear the larger paper, spitball, plastic cloth or sharp objects (such as glass, nails, screws, coins, etc.) and any object which is larger than openings.
- Keep hair, loose clothing, fingers and other parts of the body away from the vacuum's openings and moving parts. Do not point the hose, wand or tools at your eyes or ears or put them in your mouth.
- Do not put any object into the vacuum's openings. Do not use the vacuum with any opening blocked. Keep free of dust, lint, hair, or other items which may reduce airflow.
- Do not rest the vacuum against a chair, table, or other unstable surface, as this may cause damage to the machine or personal injury.

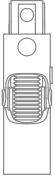
- If the vacuum becomes damaged or is otherwise malfunctioning, please contact our authorized service department. Never attempt to disassemble the device on your own.
- All instructions in the manual for recharging the battery must be strictly followed. Failure to properly charge the battery within the specified temperature range could damage the battery.
- Make sure the vacuum is unplugged when not used for extended periods as well as prior to performing any maintenance or repairs.
- Please be extra careful when using the vacuum to clean stairs.
- Do not install, charge, or use this product outdoors, in bathrooms, or around a pool.
- Fire Hazard Warning: Do not apply any type of fragrance to the vacuum's filter. These types of products are known to contain flammable chemicals which may cause the vacuum to catch fire.
- This product is designed for home use only.
- Only use the original charger (Model ZD024M340090EU/ZD024M340090AU).
- Only use the approved battery type (Model P2033-8S1P-PAA).
- Do not use and store in extremely hot or cold environments (below 0°C /32° F or above 40°C /104° F). Please charge the cordless vacuum in temperature above 0°C /32° F and below 40°C /104° F.

We Dreame Trading (Tianjin) Co., Ltd., hereby, declares that this equipment is in compliance with the applicable Directives and European Norms, and amendments. The full text of the EU declaration of conformity is available at the following internet address: [www.dreame-technology.com](http://www.dreame-technology.com)

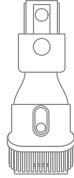
For detailed e-manual, please go to <https://www.dreame-technology.com/pages/user-manuals-and-faqs>

# Product Overview

## Accessories



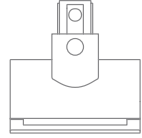
Flexible Adapter



2-in-1 Brush Nozzle



Soft Dusting Brush



Mini Electric Brush



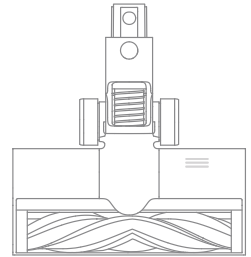
Carbon Fiber Rod



Extension Hose



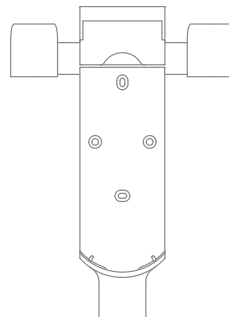
Charger



Smart Multi-Brush Bar



LED Crevice Nozzle

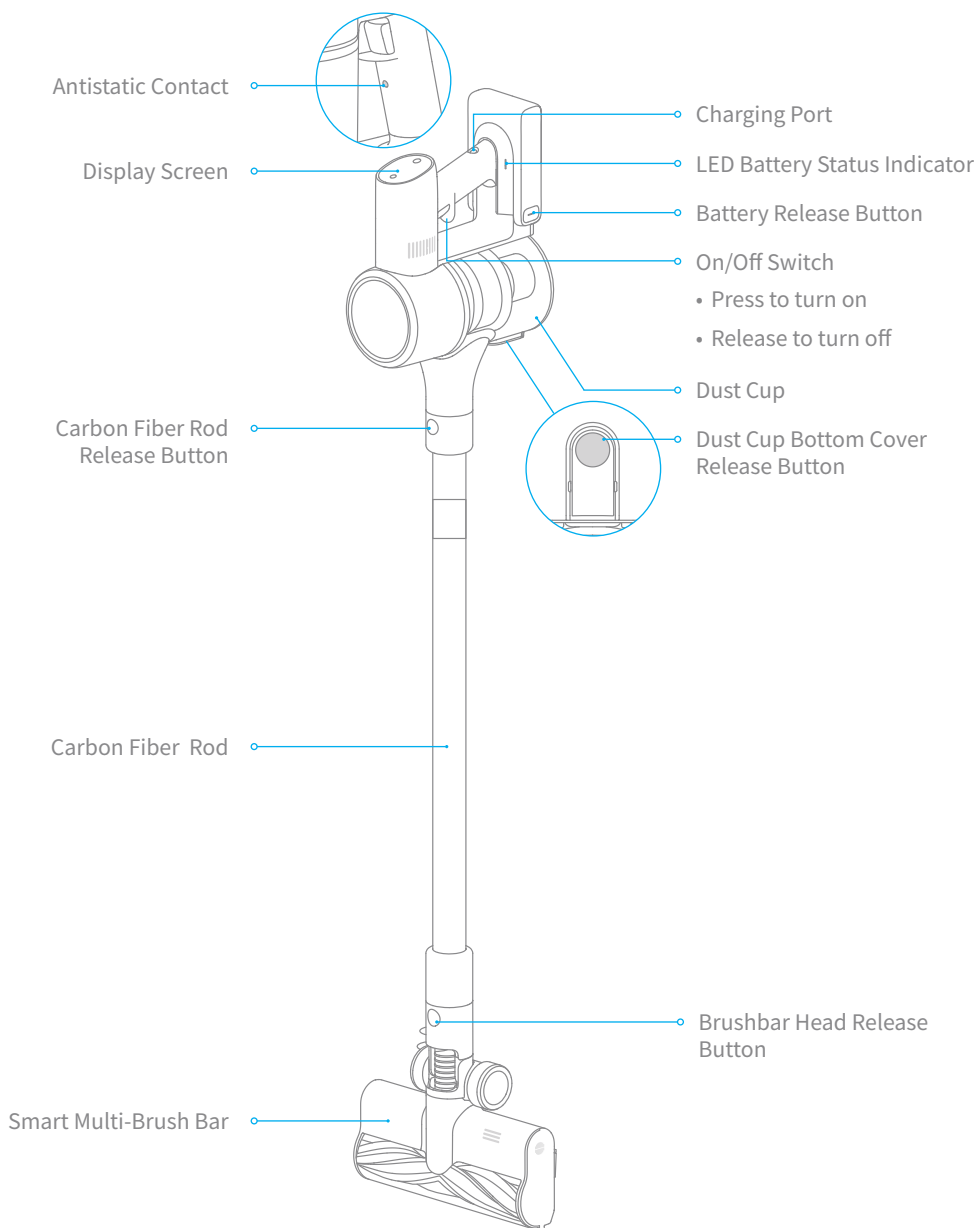


2-in-1 Charging & Storage Mount  
(Including screws ×2,  
wall plugs ×2, and  
mounting template  
sticker)

Note: The images in this manual are for illustrative purposes only. The actual product may differ.

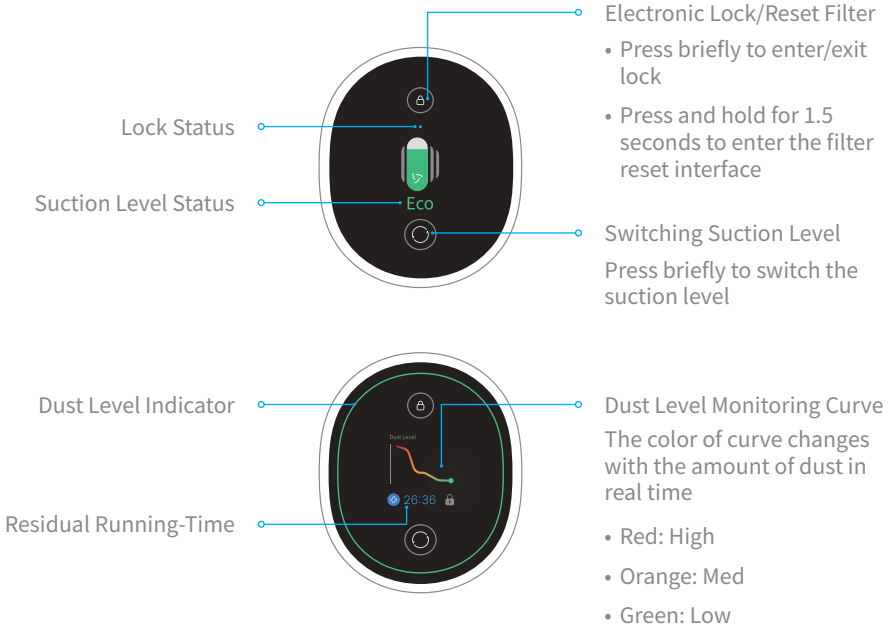
# Product Overview

## Component Names



# Product Overview

## Introduction of Display Screen



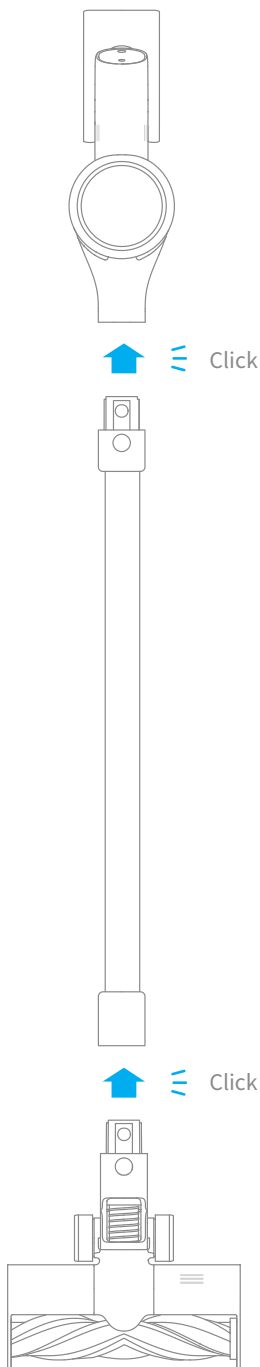
### Note:

- The color of dust level indicator changes with the amount of inhaled dust.
- Residual time is for reference only and it may be different from the actual time.



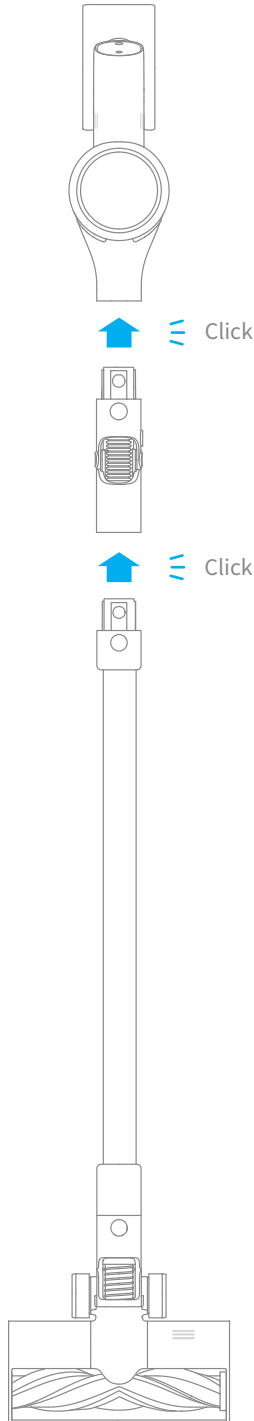
# Installation

## Vacuum Installation Diagram



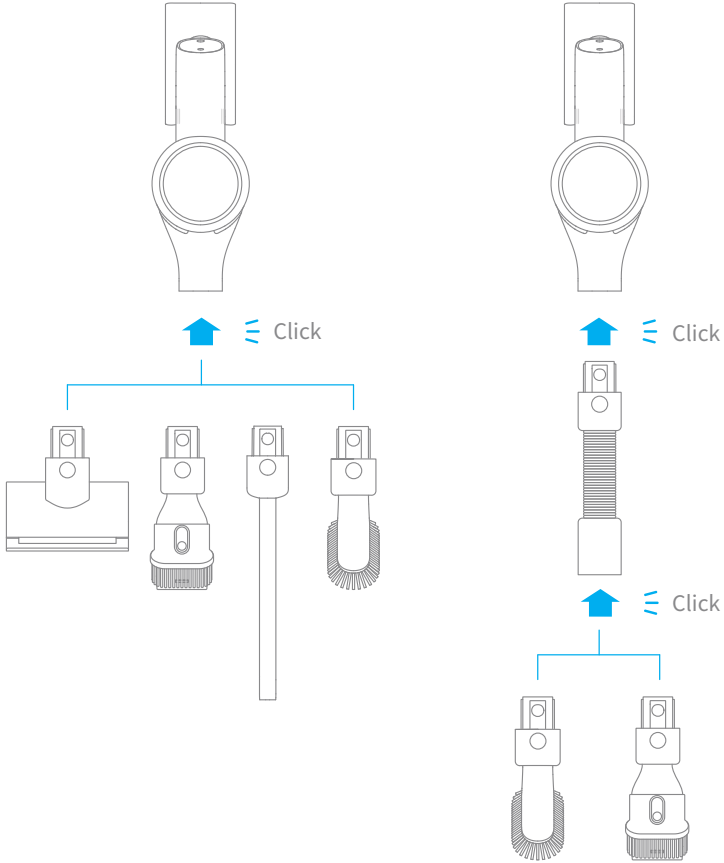
# Installation

## Accessories Installation Diagram



# Installation

## Accessories Installation Diagram



## 2-in-1 Charging & Storage Mount Installation Diagram

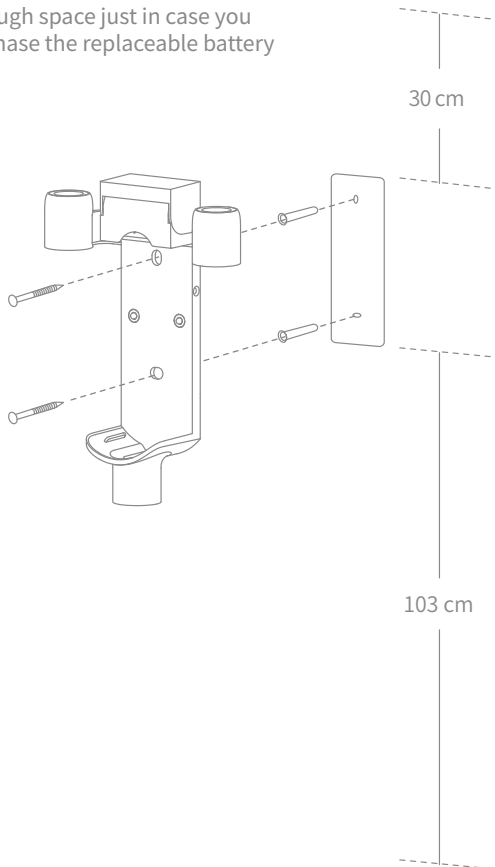
(The 2-in-1 charging & storage mount is an optional accessory. You can install it based on your needs.)

Note:

The 2-in-1 charging & storage mount should be installed in a cool, dry place with an electrical outlet nearby. Prior to installing, ensure that there are no electrical wires or pipes in the space directly behind where the mount will be installed.

1. The bottom of the mounting template sticker should be level and at least 103cm from the ground. The top should have at least 30cm\* of clearance above it.
2. Use a power drill with an 8mm drill bit to drill a hole into each marker on the mounting template sticker, then insert a wall plug into each hole.
3. Align the locating holes on the mount with the holes on the wall. Fasten it to the wall with the included screws.

\*30cm: Leave enough space just in case you may need to purchase the replaceable battery in the future.



# Charging

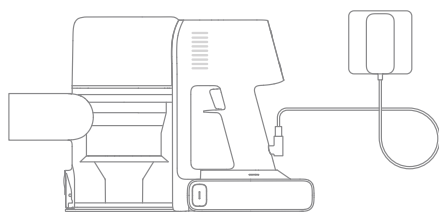
Fully charge the vacuum before using it for the first time.

Note:

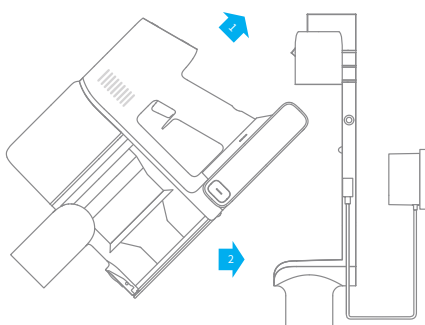
- A full charge will take approx. 4 hours.
- Vacuuming in Turbo Mode for a prolonged period will cause the battery to heat up, which increases charging time. Allow the vacuum to cool down for 30 minutes before charging it.

## Charging Methods

Charging the vacuum with the charger



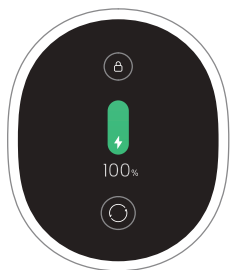
Charging the vacuum on the charging mount



## Battery Status Display

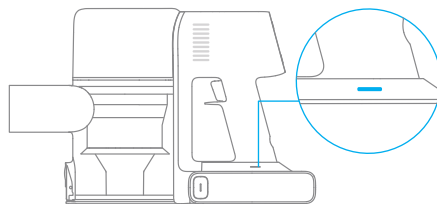
Display Screen

The number on the display screen represents the current battery level in a percentage during charging. When the number becomes 100, the battery is fully charged.






LED Battery Status Indicator

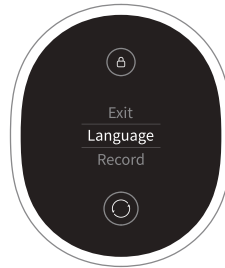
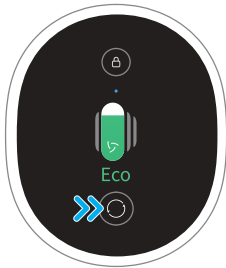
When charging, the indicators blink white. When the charging is completed, the indicators keep solid white.






Note: Once the vacuum is fully charged, the indicator will turn off after 5 minutes, and the vacuum will enter energy-saving mode.

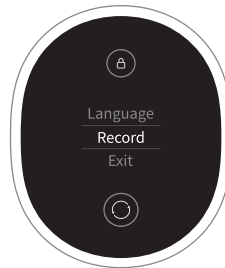
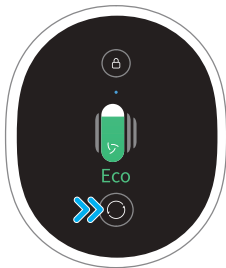
## Setting Language

Press and hold the button  for 3 seconds to enter the menu interface. Click the button to switch to "Language". Press the button for 1 second to enter the language selection interface. Click  to scroll through the language list, select a language, and then press  and hold for 3 seconds to save your setting.




## Cleaning Record


Press and hold the button  for 3 seconds to enter the menu interface. Click the button  to switch to "Cleaning Record" and press the button  for 1 second to enter the cleaning record interface. Then you will see the cleaning record of the last 7 days.



Note:

- The display screen will return to the main page if there is no operation for more than 15 seconds.
- To exit the menu interface, click the button  to select "Exit".

## Switching Suction Level

Press the button  to switch between four suction levels of auto, eco, med and turbo. The corresponding suction level will be highlighted on the display screen.

The color of dust level indicator changes with the amount of inhaled dust. When the smart multi-brush bar is attached, the vacuum will automatically switch the suction level between the floor/tile and the carpet.

Note: Stop the vacuum at any time while cleaning. It will continue to use the last selected suction level when starting again.

# How to Use

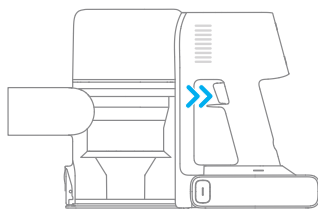
## Working Methods

Select from two working methods for the vacuum, which can be selected based on your own needs.

When the vacuum is running, it will monitor the amount of inhaled dust within 1 second. The amount of dust will be displayed by the color of dust level monitoring curve on the screen in real time.

### Method 1: Discontinuous Cleaning Mode

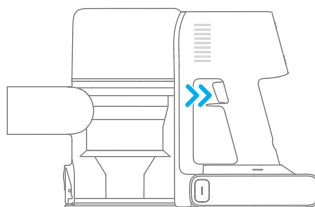
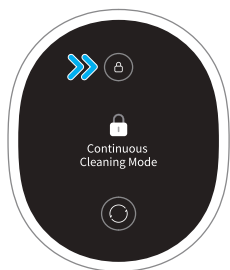
Press and hold the switch of the vacuum to enable this mode, and release it to stop immediately.



### Method 2: Continuous Cleaning Mode (Electronic Lock)

Click the electronic lock key to switch to Continuous Cleaning Mode, and then briefly press the on/off switch to keep the vacuum in Continuous Cleaning Mode.

Use the electronic lock to free your fingers from fatigue caused by holding the switch.



#### Note:

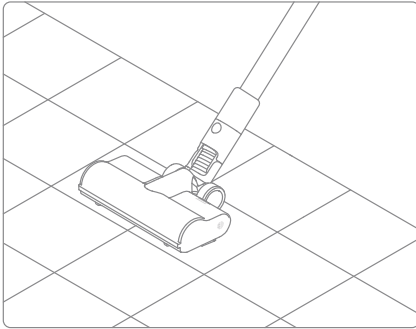
- In this mode, briefly press the on/off switch to suspend the operation or start again and the working mode of the vacuum will not change.
- Click the electronic lock again to quit Continuous Cleaning Mode.

## Using Different Accessories

### Smart Multi-Brush Bar

For cleaning floors such as marble, tile, and low pile carpet. When Auto Mode is activated, the vacuum will automatically adjust its suction level depending on the surface type.

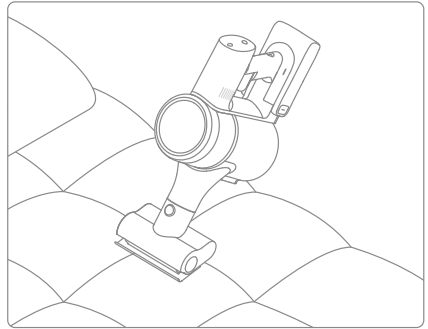
Note: The smart multi-brush bar can be attached directly to the vacuum.



### Mini Electric Brush

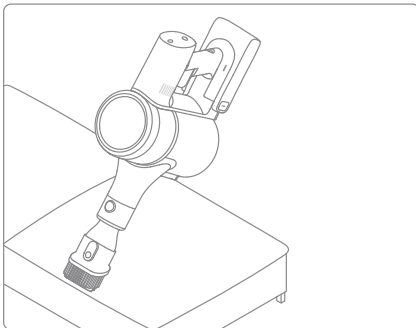
For vacuuming dirt, pet hair, and other stubborn debris from sofas, bedding, and other fabric surfaces.

Note: It is not recommended to vacuum on fragile surfaces, such as silk.



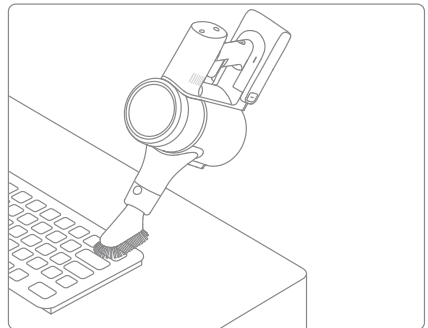
### 2-in-1 Brush Nozzle

For vacuuming dust from curtains, keyboards, ceilings, sofas, vehicle interiors, coffee tables, etc.



### Soft Dusting Brush

Suitable for vacuuming on LCDs, keyboards, lampshades, curtains, shutters and other surfaces of fragile objects.

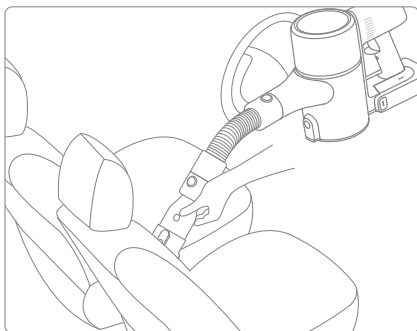
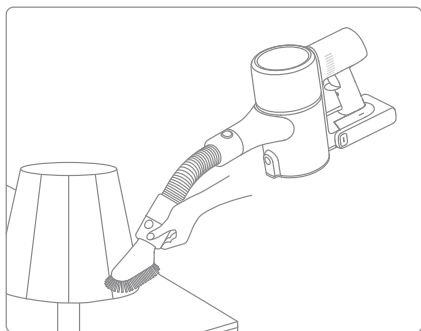




# How to Use

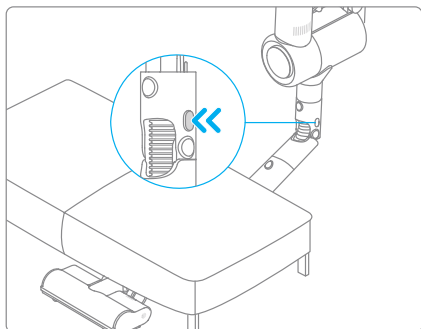
## Extension Hose

It is suitable for vacuuming the corners that are not easily accessible such as drawers, cars interior, and in the bottom of sofa when used with soft dusting brush or 2-in-1 brush nozzle.



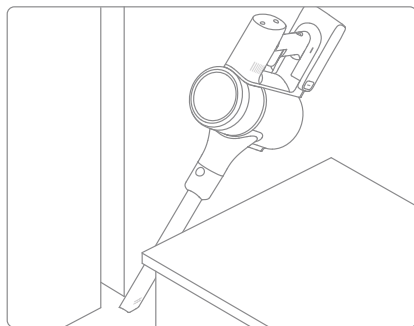
## Flexible Adapter

Bending and extending the rod with one click can easily reach under low-lying furniture, such as bed and sofa.



## LED Crevice Nozzle

The nozzle is equipped with a thin suction opening and LED light. It is suitable for vacuuming the debris in the narrow places.



## Note:

- If any rotating part becomes stuck, the vacuum may shut off automatically. Remove any trapped objects so the device can function normally.
- When the battery becomes overheated, the vacuum will automatically shut off. Wait until the battery temperature returns to normal, then the vacuum will work normally.

## Tips:

1. Always use genuine parts to keep your warranty from becoming void.
2. If the filter or nozzle becomes clogged, the vacuum will stop working shortly after being turned on. To restore normal functions, clean the filter and/or nozzle.
3. If the vacuum is not be used for an extended period, fully charge it, unplug its charger, and store it in a cool, low-humidity environment away from direct sunlight. To avoid over-discharging the battery, recharge the vacuum at least once every three months.

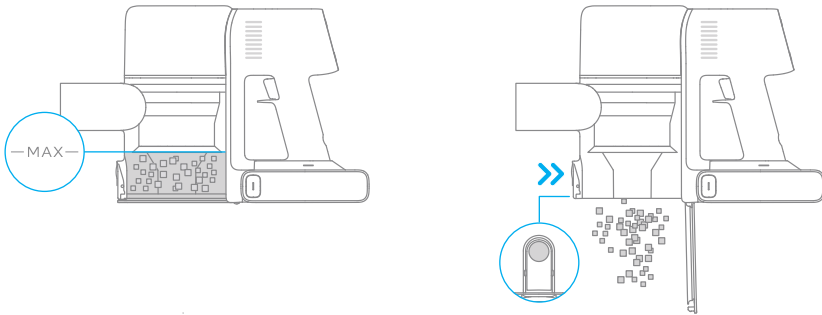
## Cleaning the Vacuum

Wipe the vacuum with a soft dry cloth.

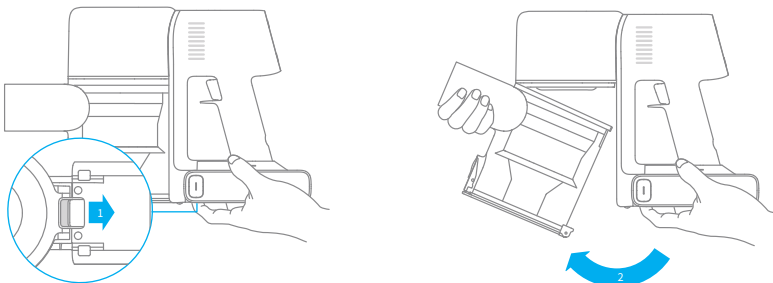
## Cleaning the Dust Cup, Pre-Filter, and Cyclone Assembly

The vacuum's cleaning ability will be reduced if the dust cup is filled to the "MAX" mark. To regain performance, empty the dust cup in a timely manner. Before emptying the cup, make sure the vacuum is disconnected from the power, and do not press its power button.

1. Press the dust cup bottom cover release button, then empty the contents.

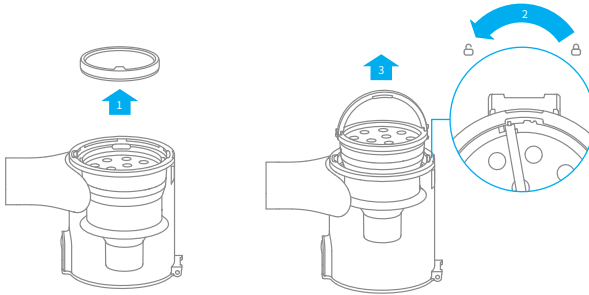


2. Push the dust cup release switch in the direction indicated by the arrow, then gently remove the dust cup from the vacuum.

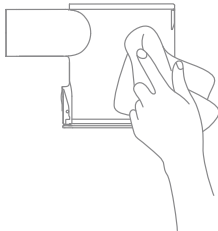


# Care & Maintenance

3. Remove the pre-filter first, then lift the handle of the cyclone assembly and turn it counterclockwise until it stops, then pull to lift out the cyclone assembly.

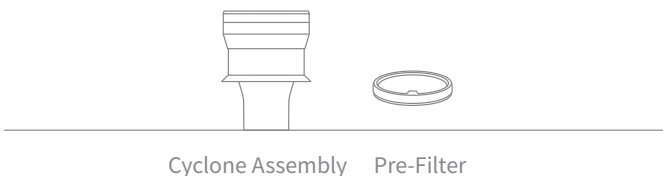


4. Wipe the dust cup with a soft wet cloth. Pay attention to wring out the discloth before using.



To reduce the risk of electric shock, do not rinse the dust cup with water.

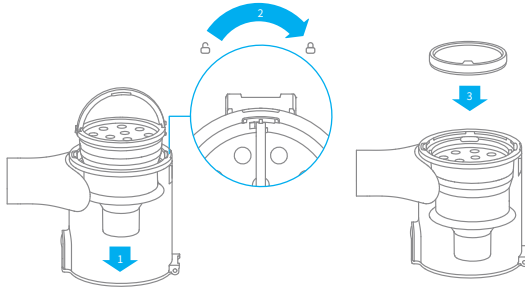
5. Rinse the cyclone assembly and pre-filter until they are clean. After washing, air dry for at least 24 hours.



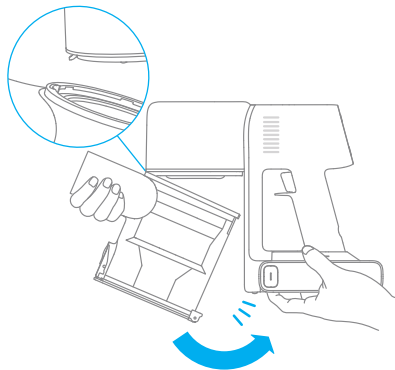
Note: It is recommended to clean the pre-filter at least once every 3 months and the cyclone system at least once every 6 months.

## Installing the Dust Cup, Pre-Filter, and Cyclone Assembly

1. Insert the cyclone assembly vertically into the dust cup, and make sure that the handle of the cyclone assembly line up with the slot on the left side of the dust cup. Turn the handle clockwise until it locks, then flip the handle down.
2. Place the pre-filter with its front side facing up into the cyclone assembly.



3. Slightly tilt the dust cup so its slot aligns with the clip on the vacuum. Then gently push the dust cup until it clicks into place.

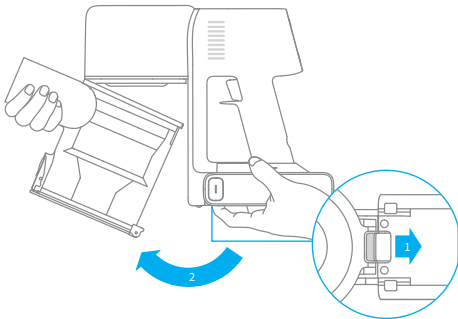


# Care & Maintenance

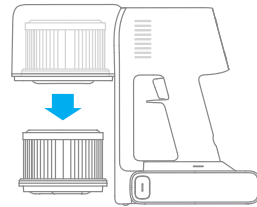
## Cleaning the Filter

It is recommended to clean the filter once every 4 to 6 months.

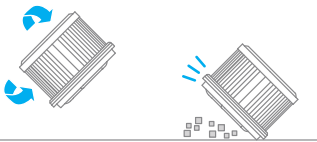
1. Remove the dust cup as shown in the figure.



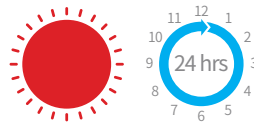
2. Remove the filter from the vacuum by pulling it down in the direction shown in the figure.



3. Clean the filter with clean water. Make sure you rotate the filter 360° to thoroughly and remove all dust caught in the filter. Lightly tap the filter several times to remove any excess dirt.



4. Allow the filter to air dry for 24 hours.

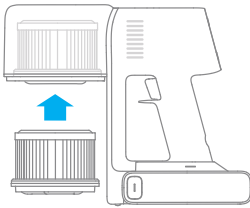


### Note:

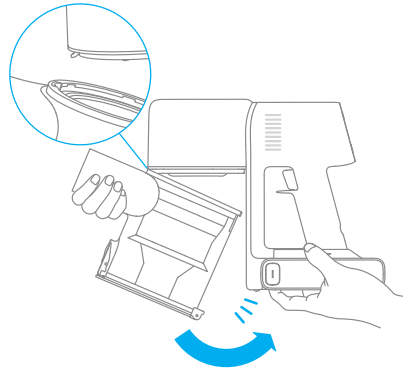
- Only use clean water to wash the filter. Do not use detergent.
- Do not attempt to clean the filter with a brush or finger.

## Installing the Filter

1. Insert the filter into the vacuum and gently press down, as illustrated.



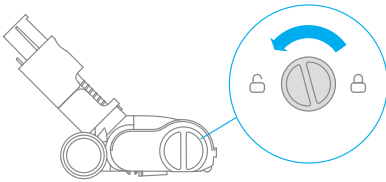
2. Reinstall the dust cup.



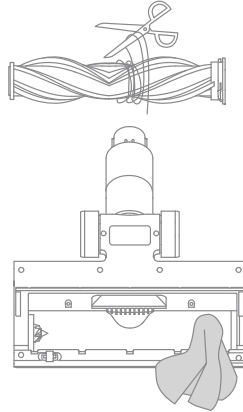
# Care & Maintenance

## Cleaning the Smart Multi-Brush Bar

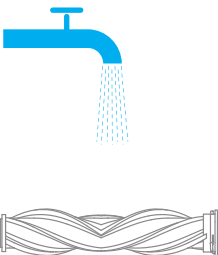
1. Turn the lock counterclockwise until it stops, then remove the roller brush from the smart multi-brush bar.



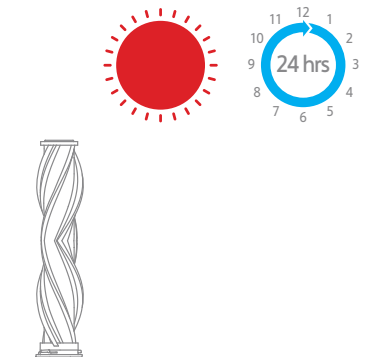
2. Use scissor to cut off the hairs and fibers that get stuck on the brush bar head. Wipe the dust from the notch and transparent cover with a dry cloth or paper towel. Thoroughly dry before use.



3. When it is dirty, rinse the roller brush with clean water until it is clean.



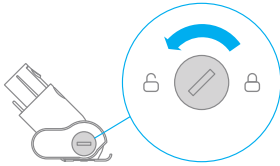
4. Stand the roller brush upright for at least 24 hours until it is fully dry.



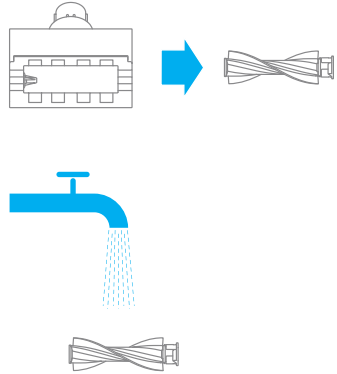
# Care & Maintenance

## Cleaning the Mini Electric Brush

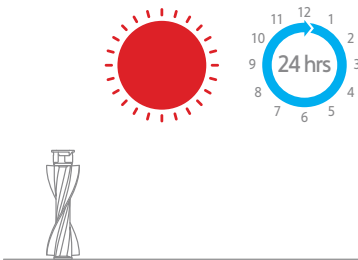
1. Use a coin as illustrated to rotate the lock counterclockwise until you hear a click.



2. After unlocking the mini roller brush, remove it from the mini electric brush, then rinse and clean the brush head.



3. Stand the mini roller brush upright in a well-ventilated area for at least 24 hours until it is fully dry.



4. Once the mini roller brush is dry, reinstall it by following the disassembly steps in reverse.



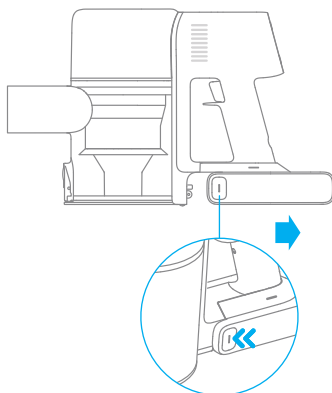


# Care & Maintenance

## Battery Pack

The vacuum contains a removable rechargeable lithium-ion battery pack which has a limited number of recharge cycles. After extended use, the battery pack may no longer hold a charge. If this happens, it means the battery pack has reached the end of its life cycle and needs to be replaced.

1. Press down the battery pack release button and slide the battery pack to the right, as illustrated, to remove it.
2. Install the new battery pack.



# Specifications

Vacuum Cleaner			
Model	VTT1	Charging Voltage	34 V ===
Rated Power	550 W	Rated Voltage	29.6 V ===
Charging Time	Approx. 4 hours	Battery Capacity	2900 mAh (Nominal Capacity)
Smart Multi-Brush Bar			
Model	ASF5		
Rated Power	40 W	Nominal Capacity	29.6 V ===
Mini Electric Brush			
Model	VPA3		
Rated Power	20 W	Rated Voltage	29.6 V ===
Charger			
Model	ZD024M340090EU/ ZD024M340090AU	Average Active Efficiency	87.01 %
Input	100-240 V ~ 50-60 Hz, 0.8 A max	Efficiency at Low Load (10%)	77.01 %
Output	34 V === 0.9 A	No-load Power Consumption	0.1 W
Rechargeable Lithium-Ion Battery Pack			
Model	P2033-8S1P-PAA	Battery Capacity	2900 mAh (Nominal Capacity)
Nominal Voltage	29.6 V ===	Energy	81.4 Wh










The lithium-ion pack contains substances that are hazardous to the environment. Before disposing of the vacuum, please remove the battery pack, then discard or recycle it in accordance with local laws and regulations of the country or region it is used in.

If the vacuum is not working properly, please refer to the table below.

Errors	Possible Causes	Solutions
Vacuum does not work.	Vacuum is out of battery or low on power.	Fully charge the vacuum, then continue to use it.
	Overheat protection mode triggered by a blockage.	Clean the suction openings or air duct. Wait until the vacuum cools down, then reactivate it.
	The suction opening or air duct is blocked.	Clear any blockage from suction opening or air duct.
Weak suction force.	Dust cup is full and/or filter assembly is clogged.	Empty the dust cup and clean the filter assembly.
	Attachment is blocked.	Clear any blockage in the attachment.
Motor is making a strange noise.	Main suction opening or carbon fiber rod is blocked.	Clear any blockage in the main suction opening or extension rod.
The battery indicator does not light up when charging.	The charger does not plug into the vacuum well.	Check whether the charger is properly plugged into the vacuum.
	The battery is fully charged and went into sleep mode.	The vacuum can be used normally.
	If the problem persists after ruling out the above two possibilities.	Please contact the after-sales service department for maintenance.
The vacuum charges slowly.	Battery temperature is too low or too high.	Wait until the battery's temperature returns normal, then continue to use the vacuum.

# Troubleshooting

If you need to pay attention to any abnormality during the use of the product, a prompt will be shown on the screen. You should follow the instructions on the screen to keep the performance normal.

Error Icon	Error Message	Solutions
	Battery overheating	Please wait and continue to use after motor temperature is normal.
	Roller brush stuck	Refer to the maintenance guide [Cleaning the Smart Multi-Brush Bar] section to clean the fiber material and hairs wrapped around the roller brush.
	Air duct blocked	Check whether the dust cup, carbon fiber rod, and smart multi-brush bar are blocked.
	Error	Please contact the after-sales department for maintenance.
	Low battery	Recharge soon.
	The battery runs out	Recharge soon.
	Filter is expiring	Please replace the filter in time.
	Filter uninstalled	Ensure that the filter and pre-filter are installed correctly.
	Replace the filter	Refer to the maintenance manual [Cleaning Filter] section to remove the filter and replace it. After replacing the filter, press and hold the button  for 1.5 seconds to enter the countdown to reset the filter, then hold the button for another 5 seconds until  appears on the screen.

## WEEE Information



All products bearing this symbol are waste electrical and electronic equipment (WEEE as in directive 2012/19/EU) which should not be mixed with unsorted household waste. Instead, you should protect human health and the environment by handing over your waste equipment to a designated collection point for the recycling of waste electrical and electronic equipment, appointed by the government or local authorities. Correct disposal and recycling will help prevent potential negative consequences to the environment and human health. Please contact the installer or local authorities for more information about the location as well as terms and conditions of such collection points.

Um zu vermeiden, dass es durch unsachgemäße Benutzung zu Stromschlägen oder Bränden kommt, sollten Sie dieses Handbuch vor der Benutzung sorgfältig durchlesen und es aufbewahren, um künftig nachschlagen zu können.

## Warnung

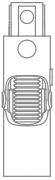
- Dieses Produkt kann von Kindern im Alter ab acht Jahren und von Personen mit physischen, sensorischen und intellektuellen Einschränkungen oder begrenzter Erfahrung oder Wissen benutzt werden, dies muss jedoch unter Aufsicht von Eltern oder einer Aufsichtsperson erfolgen, um einen sicheren Betrieb zu gewährleisten und Gefahren auszuschließen. Eine Wartung und Reinigung durch Kinder darf nur unter Aufsicht erfolgen.
- Der Staubsauger ist kein Spielzeug. Kinder dürfen mit dem Produkt nicht spielen oder es benutzen. Seien Sie bei der Benutzung des Staubsaugers in der Nähe von Kindern bitte vorsichtig. Gestatten Sie es Kindern keinesfalls, den Staubsauger zu reinigen oder zu warten, außer unter Aufsicht eines Elternteils oder Vormunds.
- Der Staubsauger darf nicht im Freien oder auf nassen Oberflächen benutzt werden. Der Staubsauger darf nicht mit nassen Händen berührt werden.
- Um das Risiko von Bränden, Explosionen und Verletzungen zu mindern, prüfen Sie vor der Benutzung bitte den Lithium-Akku und das Ladegerät auf Beschädigungen. Der Staubsauger darf nicht benutzt werden, wenn der Lithium-Akku oder das Ladegerät beschädigt ist.
- Die intelligenten Mehrfachbürstenstange, der Akku, der Karbonfaserstange und der Staubsauger können Strom leiten und sollten nicht in Wasser oder andere Flüssigkeiten getaucht werden. Bitte achten Sie darauf, dass alle Filter nach der Reinigung getrocknet werden.
- Um Verletzungen durch bewegliche Teile zu vermeiden, müssen Sie den Staubsauger vor der Reinigung der intelligenten Mehrfachbürstenstange abschalten. Vor der Benutzung des Staubsaugers müssen die intelligenten Mehrfachbürstenstange, der Staubbehälter und der Filter korrekt installiert werden.
- Benutzen Sie ausschließlich das Original-Ladegerät. Die Benutzung eines nicht originalen Ladegerätes kann zu einer Entzündung des Lithium-Akkus führen.
- Der Staubsauger darf nicht benutzt werden, um brennbare oder entzündliche Flüssigkeiten wie Benzin, Bleiche, Ammoniak, Abflussreiniger oder andere Flüssigkeiten aufzusaugen.
- Der Staubsauger darf nicht benutzt werden, um Gipspartikel, Asche (z. B. Kaminasche) oder Rauch- oder Brennmaterialien wie Kohle, Zigarettenstummel oder Streichhölzer aufzusaugen.
- Der Staubsauger darf nicht benutzt werden, um scharfe oder harte Objekte wie Glas, Nägel, Schrauben oder Münzen aufzusaugen, da dies zu Schäden am Gerät führen kann.
- Halten Sie Haare, lose Kleidung, Finger und andere Körperteile von den Öffnungen des Staubsaugers und den beweglichen Teilen fern. Der Schlauch, das Rohr und das Werkzeug dürfen nicht auf Augen oder Ohren gerichtet werden oder in den Mund genommen werden.

- Stecken Sie keine Gegenstände in die Öffnungen des Staubsaugers. Der Staubsauger darf nicht genutzt werden, wenn eine Öffnung blockiert ist. Er muss frei von Staub, Flusen, Haaren und anderen Gegenständen gehalten werden, die den Luftstrom behindern könnten.
- Lehnen Sie den Staubsauger nicht gegen Stühle, Tische oder andere instabile Flächen, da dies zur Schädigung am Gerät oder Verletzungen führen kann. Falls der Staubsauger durch Umkippen beschädigt wird oder sonst defekt ist, wenden Sie sich bitte an unsere autorisierte Serviceabteilung. Versuchen Sie nie, das Gerät selbst zu zerlegen.
- Beim Aufladen des Akkus sind alle Anweisungen in dieser Anleitung strikt zu befolgen. Wenn bei der Aufladung des Akkus der angegebene Temperaturbereich nicht eingehalten wird, kann der Akku beschädigt werden.
- Stellen Sie sicher, dass der Staubsauger nicht mit dem Stromnetz verbunden ist, wenn Sie ihn über längere Zeit nicht benutzen. Der Staubsauger muss außerdem vom Stromnetz getrennt werden, bevor Wartungs- und Reparaturarbeiten erfolgen.
- Bitte seien Sie besonders vorsichtig, wenn Sie den Staubsauger zur Treppenreinigung verwenden.
- Dieses Produkt darf nicht im Freien, in Badezimmern oder in der Nähe eines Schwimmbeckens benutzt, installiert oder geladen werden.
- Warnung vor Brandgefahr: auf den Filter dürfen keinesfalls Duftstoffe jeglicher Art aufgetragen werden. Diese Art von Produkten enthält häufig brennbare Chemikalien, die dazu führen könnten, dass das Gerät Feuer fängt.
- Das Produkt ist nur für den Heimgebrauch bestimmt.
- Verwenden Sie nur das Original-Ladegerät (Modell ZD024M340090EU/ZD024M340090AU).
- Verwenden Sie nur den zugelassenen Akkutyp (Modell P2033-8S1P-PAA).
- Verwenden und lagern Sie es nicht in extrem heißen oder kalten Umgebungen (unter 0°C /32° F oder über 40°C /104° F). Laden Sie bei einer Ladetemperatur von 0° C bis 40° C mit dem Original-Netzadapter.

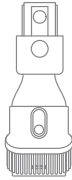
Wir, Dreame Trading (Tianjin) Co., Ltd., bestätigen hiermit, dass dieses Gerät mit geltenden Verordnungen und europäischen Normen sowie etwaigen Ergänzungen in Einklang steht. Der vollständige Wortlaut der EU-Konformitätserklärung ist unter der folgenden Internetadresse abrufbar: [www.dreame-technology.com](http://www.dreame-technology.com)

Ein detailliertes elektronisches Handbuch finden Sie unter <https://www.dreame-technology.com/pages/user-manuals-and-faqs>

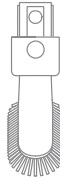
## Zubehörliste



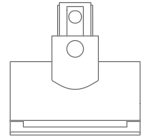
Flexibler Adapter



2-in-1 Bürstendüse



Weiche  
Staubbürste



Elektrische  
Mini-Bürste



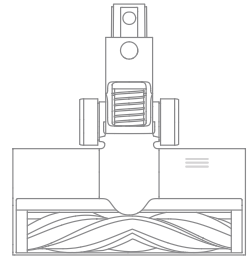
Karbonfaserstange



Verlängerungsschlauch



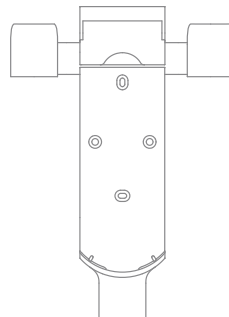
Ladegerät



Intelligente  
Mehrfachbürstenstange



LED Spaltdüse

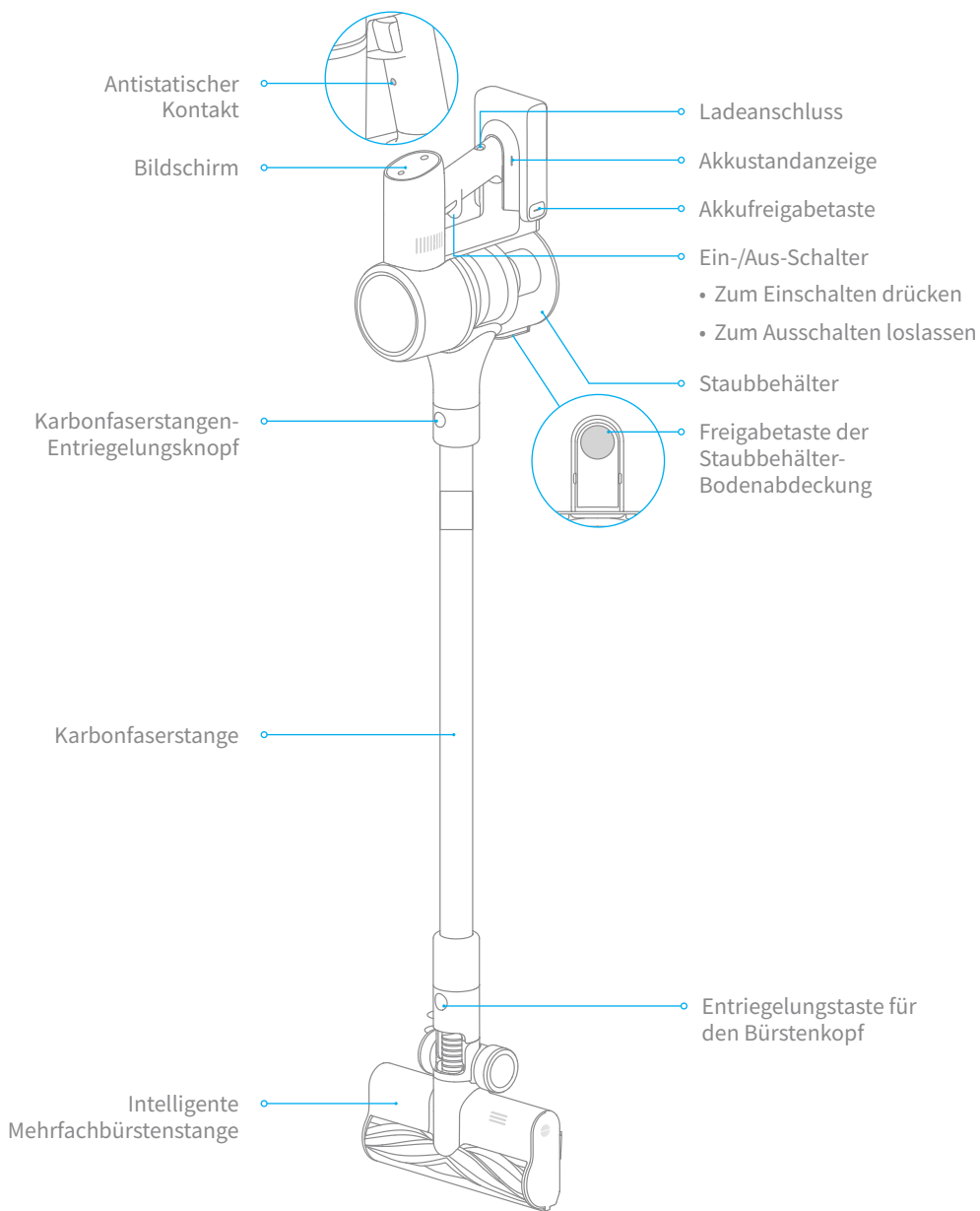


2-in-1 Lade- und  
Aufbewahrungshalterung  
(einschließlich 2 x Schrauben,  
2 x Dübel und Montagevorlage-Aufkleber)

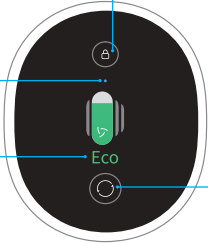
Hinweis: Die Abbildungen in diesem Handbuch dienen nur als Referenz, bitte beziehen Sie sich auf das tatsächliche Aussehen.



## Bauteilbezeichnung



## Funktionseinführung in die Bildschirmanzeige



Elektronisches Schloss/Filter zurücksetzen

- Anklicken, um den Arbeitsmodus zu wechseln
- Für 1,5 Sekunden gedrückt halten, um das Menü für das Zurücksetzen des Filters zu öffnen


Sperrzustand

Getriebezustand

Eco

Stufenschaltung

Kurz drücken, um die Betriebsposition des Staubsaugers umzuschalten



Staubgehaltsanzeige

Staubgehalt-Überwachungskurve

Die Farbe verändert sich mit dem Staubgehalt in Echtzeit

- Rot: Hoch
- Orange: Mittel
- Grün: Tief

Verbleibende Laufzeit

26:36

### Hinweis:

- Die Farbe der Staubgehalt Anzeige verändert sich nur aufgrund der Menge des eingesaugten Staubs.
- Die Verbleibende Laufzeit dient nur als Referenz und kann von der tatsächlichen Zeit abweichen.

# Installation

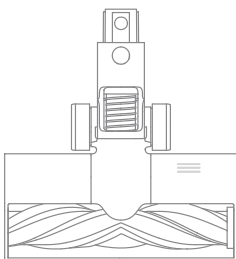
## Installation des Zubehörs am Staubsauger



Hineinstecken, bis ein Klick ertönt



Hineinstecken, bis ein Klick ertönt

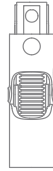


# Installation

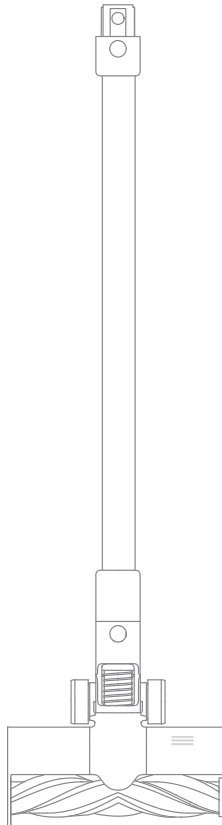
## Verbindung des Zubehörs



Hineinstecken, bis ein Klick ertönt

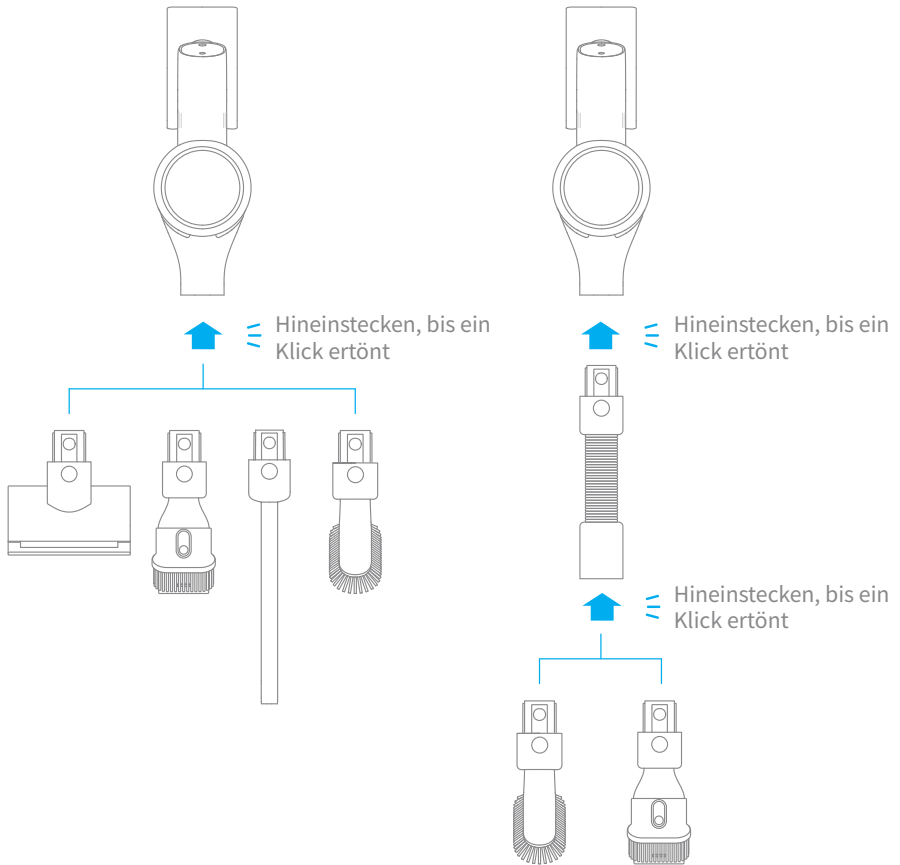


Hineinstecken, bis ein Klick ertönt



# Installation

## Verbindung des Zubehörs



## Installation der 2-in-1 Lade- und Aufbewahrungshalterung

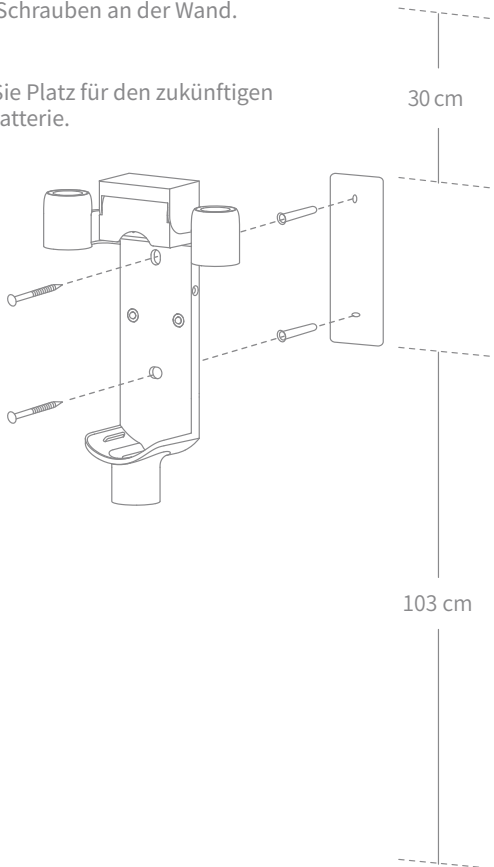
(Die 2-in-1 Lade- und Aufbewahrungshalterung ist ein optionales Zubehörteil, das Sie nach Ihrem persönlichen Bedarf montieren können.)

Hinweis:

Die 2-in-1 Lade- und Aufbewahrungshalterung sollte an einem kühlen, trockenen Ort in der Nähe einer Steckdose installiert werden. Vor der Installation sollten Sie sicherstellen, dass sich in dem Raum direkt hinter der Wandoberfläche, an der die Halterung installiert werden soll, keine Kabel oder Drähte befinden.

1. Der untere Rand des Montagevorlage-Aufklebers sollte mindestens 1,03 m über dem Boden und parallel zum Boden sein, und über dem oberen Rand sollte mindestens 30 cm Platz sein.
2. Verwenden Sie eine Bohrmaschine mit einem 8-mm-Bohrer, um ein Loch in jede Lochmarkierung auf dem Montageschablone-Aufkleber zu bohren, und setzen Sie dann in jedes Loch einen Dübel ein.
3. Richten Sie die Befestigungslöcher der 2-in-1 Lade- und Aufbewahrungshalterung mit den Löchern an der Wand aus und befestigen Sie die Halterung dann mit den mitgelieferten Schrauben an der Wand.

\*30 cm: Schaffen Sie Platz für den zukünftigen Kauf einer Ersatzbatterie.



# Ladevorgang läuft

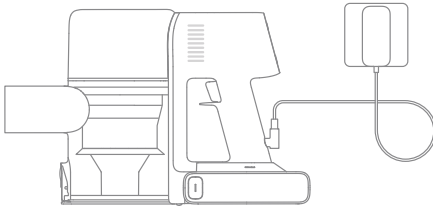
Vor der erstmaligen Benutzung sollte der Staubsauger voll aufgeladen werden.

Hinweis:

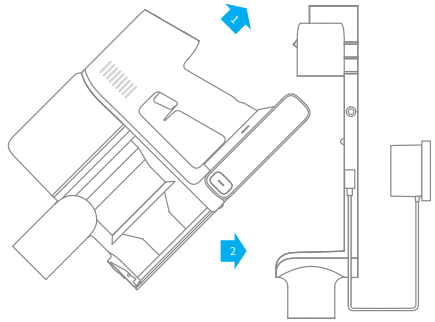
- Dies dauert etwa 4 Stunden.
- Wenn Sie über längere Zeit im Turbomodus Staub saugen, kann dies zur Erhitzung des Akkus führen, was eine längere Ladezeit zur Folge hat. Lassen Sie daher den Staubsauger vor dem Aufladen 30 Minuten abkühlen.

## Lademodi

Laden des Staubsaugers mit dem Ladegerät



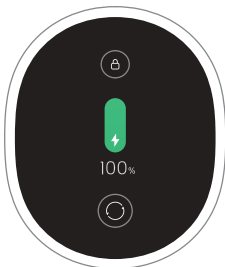
Laden des Staubsaugers in der Ladehalterung



## Anzeigen der Leistungsmodi

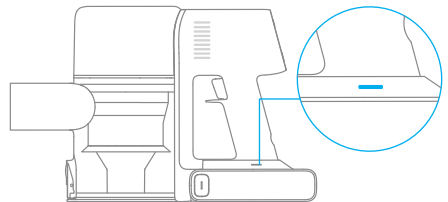
Bildschirm

Die Zahl auf dem Anzeigebildschirm stellt den aktuellen Akkustand während des Ladevorgangs in Prozent dar. Der Akku ist vollständig aufgeladen, wenn die Anzeige auf 100 steht.



Akkustandanzeige






Beim Aufladen pulsieren die Anzeigen weiss. Wenn das Aufladen abgeschlossen ist, leuchten die Anzeigen beständig weiss.

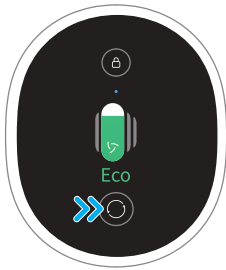


Hinweis:




Wenn der Staubsauger voll geladen ist, schaltet sich die Anzeige nach 5 Minuten ab und das Gerät wird in den Energieeinsparmodus versetzt.

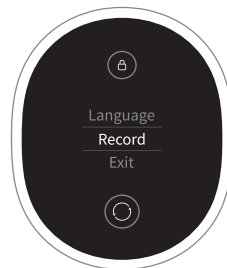
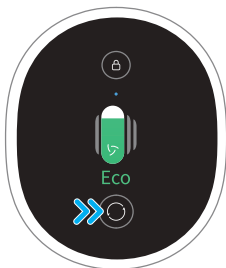
## Spracheinstellung

Drücken und halten Sie den Knopf  für 3 Sekunden, um in das Hauptmenü zu gelangen. Drücken Sie den Knopf  um zu "Language" zu gelangen. Drücken Sie den Knopf  für eine Sekunde, um zu den Spracheinstellungen zu gelangen. Drücken Sie kurz  um durch die Sprachen zu blättern und halten Sie dann  für drei Sekunden, um die gewünschte Einstellung anzunehmen.




## Reinigungsaufzeichnung

Drücken und halten Sie  für drei Sekunden, um in das Hauptmenü zu gelangen. Drücken Sie  um zu "Aufzeichnung" zu gelangen und drücken Sie den Knopf  für eine Sekunde um in das Reinigungsaufzeichnungsmenü zu gelangen. Dort können Sie eine Aufzeichnung der Reinigungsvorgänge der letzten 7 Tage sehen.



Hinweis:

- Das Display schaltet auf die Hauptseite, falls für mehr als 15 Sekunden keine Eingabe erfolgt.
- Drücken Sie den Knopf  und wählen Sie "Zurück" aus, um das Menü zu verlassen.



## Stufenschaltung

Drücken Sie auf die Taste , um die drei Saugstufen Eco-, Mitt-/Auto und Turbo umzuschalten. Die entsprechende Saugstufe wird auf dem Anzeigebildschirm hervorgehoben.

Die Farbe der Staubgehalt Anzeige verändert sich nur aufgrund der Menge des eingesaugten Staubs. Wenn die intelligente Multi-Oberflächenbürstenstange angebracht wird, ändert der Staubsauger automatisch die Saugkraft zwischen Boden/Fliesen und Teppich.

Hinweis: Wenn Sie den Staubsauger während der Reinigung abschalten, wird er beim erneuten Einschalten wieder die zuletzt gewählte Saugstufe benutzen.

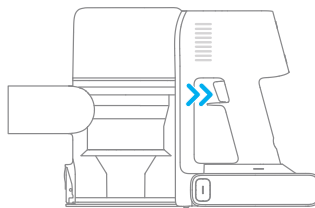
## Reinigungsmodus

Es gibt zwei Betriebsarten für den Staubsauger, die nach Ihren eigenen Bedürfnissen ausgewählt werden können.

Sobald der Staubsauger läuft, wird der Staubgehalt schon nach einer Sekunde angezeigt. Der Staubgehalt wird durch die Farbe der Staubgehalt-Überwachungskurve auf dem Bildschirm in Echtzeit dargestellt.

### Modus 1: Diskontinuierlicher Reinigungsmodus

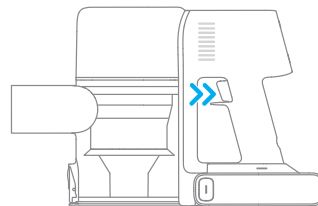
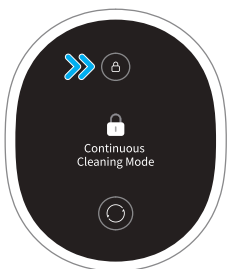
Halten Sie den Schalter des Staubsaugers gedrückt, um den Betrieb aufzunehmen, und lassen Sie ihn los, um sofort zu stoppen.



### Modus 2: Kontinuierliche Reinigungsmodus (elektronische Sperre)

Im Bereitschaftsmodus, klicken Sie auf die elektronische Sperrtaste, um in den kontinuierlichen Reinigungsmodus zu schalten, und drücken Sie dann kurz auf den Schalter, um den Staubsauger im kontinuierlichen Reinigungsmodus zu halten.

Verwenden Sie die elektronische Sperre, um Ihre Finger zu entlasten und einer Ermüdung Ihrer Finger durch das Gedrückthalten des Schalters zu vermeiden.



Hinweis:

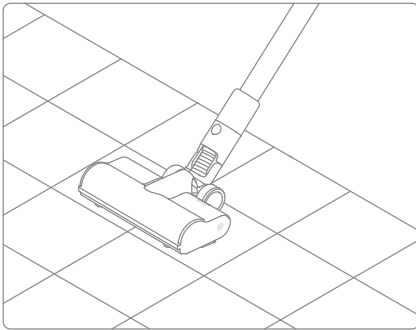
- Drücken Sie in diesem Modus kurz den Schalter, um den Betrieb auszusetzen oder erneut zu starten. Der Arbeitsmodus des Staubsaugers ändert sich nicht.
- Klicken Sie erneut auf das elektronische Schloss, um den kontinuierlichen Reinigungsmodus zu beenden.

## Benutzung verschiedener Zubehörteile

### Intelligente Mehrfachbürstenstange

Zur Reinigung von Fußböden zum Beispiel mit Marmor, Fliesen und Kurzflorteppichen ausgelegt. Im Automatikmodus kann der Staubsauger seine Saugstärke je nach Art der Oberfläche automatisch anpassen.

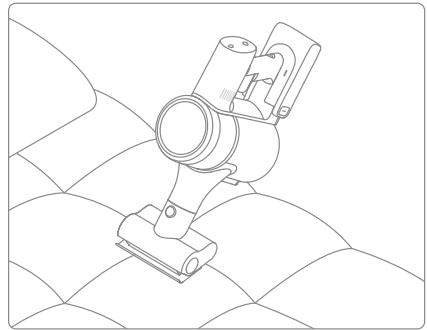
Hinweis: Die intelligente Mehrfachbürstenstange kann direkt am Staubsauger befestigt werden.



### Elektrische Mini-Bürste

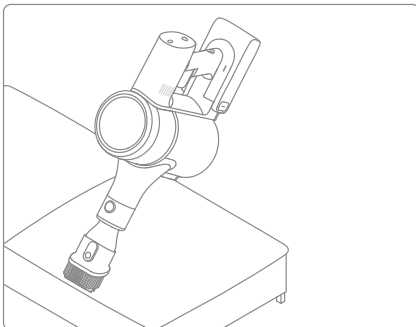
Zum Aufsaugen von Schmutz, Tierhaaren und anderen hartnäckigen Ablagerungen auf Sofas, Bettzeug und anderen Textiloberflächen.

Hinweis: Das Staubsaugen auf Oberflächen, die eingezogen werden könnten wie z. B. Seide, wird nicht empfohlen.



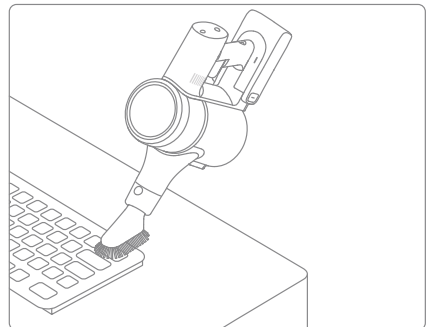
### 2-in-1 Bürstendüse

Zum Saugen von Vorhängen, Sofas, Fahrzeuginnenräumen, Couchtischen usw.



### Weiche Staubbürste

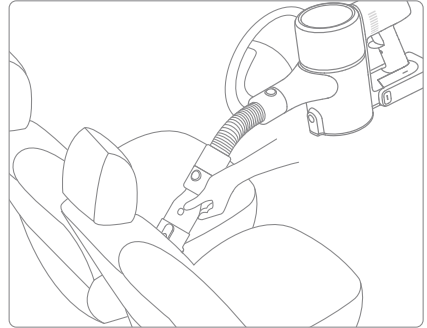
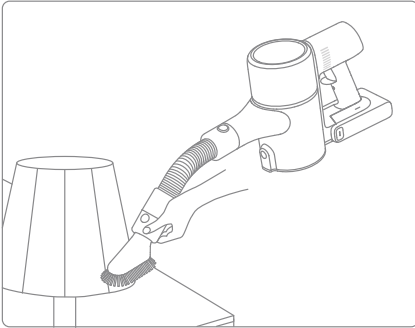
Geeignet für die Reinigung von LCDs, Tastaturen, Lampenschirmen, Vorhängen, Rollläden und anderen Oberflächen empfindlicher Objekte.



# Benutzung

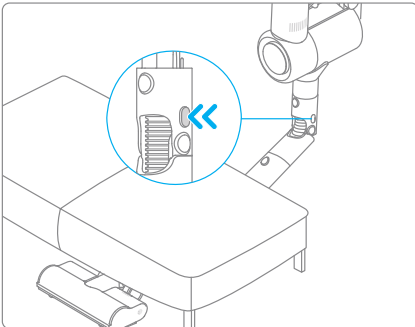
## Verlängerungsschlauch

Geeignet in Kombination mit der weichen Staubbürste oder dem 2-in-1 Bürstenaufsatz für das Saugen schwer erreichbarer Ecken, so wie Schubladen, Auto-Innenräume und Sofas.



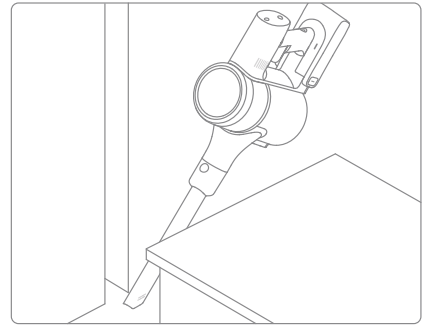
## Flexibler Adapter

Durch Biegen und Verlängern des Rohres mit nur einem Klick, können tiefgelegene Stellen unter Möbeln, sowie Bett und Sofa, einfach erreicht werden.



## LED Spaltdüse

Die Düse ist mit einer schmalen Saugöffnung und LED Licht ausgestattet. Sie eignet sich, um Schmutz in engen Stellen zu saugen.



## Hinweis:

- Wenn ein rotierendes Teil stecken bleibt, kann es passieren, dass der Staubsauger sich automatisch abschaltet. Entfernen Sie dann etwaige eingeklemmte Fremdkörper und setzen Sie die Benutzung fort.
- Wenn der Akku sich überhitzt, wird der Staubsauger automatisch ausgeschaltet. Bitte warten Sie, bis sich die Temperatur des Akkus normalisiert hat, und setzen Sie erst dann die Benutzung fort.

# Pflege und Wartung

## Sicherheitsregeln für die Wartung

1. Verwenden Sie stets Originalteile, um ein Erlöschen der Garantie zu vermeiden.
2. Falls der Filter oder die Düse verstopft sind, wird der Staubsauger kurz nach Einschalten den Betrieb einstellen. Um die Funktion wiederherzustellen, müssen Sie den Filter oder die Düse reinigen.
3. Wenn der Staubsauger für eine längere Zeit nicht benutzt werden wird, laden Sie ihn voll auf, trennen Sie ihn vom Netz und lagern ihn an einem kühlen und trockenen Ort ohne direkte Sonneneinstrahlung. Um eine Tiefentladung des Akkus zu vermeiden, sollte der Staubsauger mindestens einmal alle drei Monate aufgeladen werden.

## Reinigung des Staubsaugers

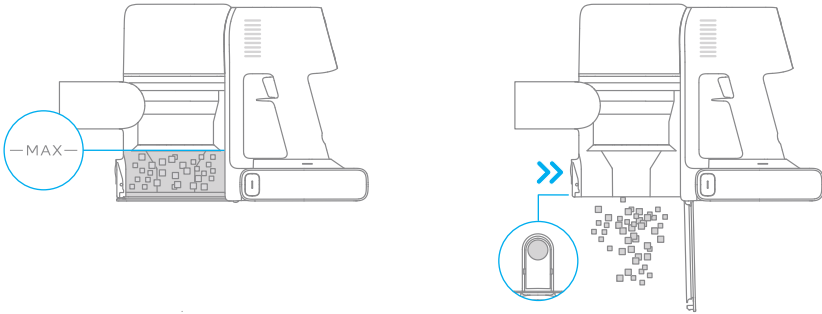
Reinigen Sie den Staubsauger mit einem weichen, trockenen Tuch.

## Reinigung des Staubbehälters, des Vorfilters und der Zyklon-Baugruppe

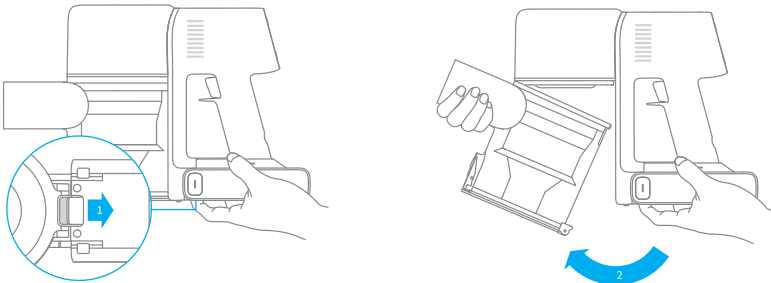
Die Reinigungsleistung des Staubsaugers reduziert sich, wenn das Staubabteil bis zur „MAX“-Markierung gefüllt ist. Um die volle Reinigungsleistung wiederherzustellen, sollten Sie den Staubbehälter rechtzeitig leeren. Bevor Sie den Staubbehälter leeren, sollten Sie sicherstellen, dass der Staubsauger von der Stromversorgung getrennt ist. Vermeiden Sie es außerdem, die Einschalttaste zu drücken.

# Pflege und Wartung

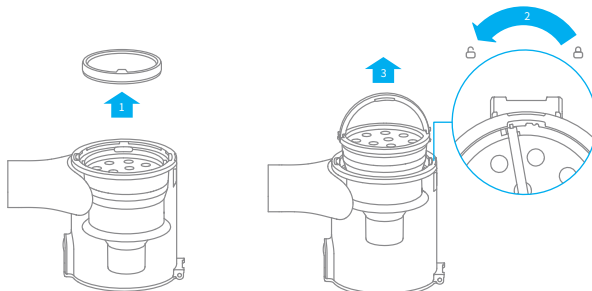
1. Drücken Sie die Entriegelungstaste der Bodenabdeckung des Staubbehälters und entleeren Sie dann den Inhalt.



2. Drücken Sie die Freigabetaste des Staubbehälters in die Pfeilrichtung und nehmen Sie den Staubbehälter vorsichtig aus dem Staubsauger.

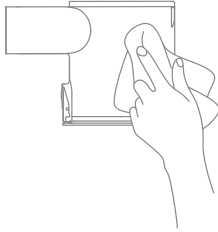


3. Entfernen Sie die zunächst den Vorfilter, heben Sie dann den Griff der Zyklon-Baugruppe an und drehen Sie ihn gegen den Uhrzeigersinn bis zum Anschlag. Anschließend können Sie die Zyklon-Baugruppe herausheben.



# Pflege und Wartung

4. Wischen Sie den Staubbehälter mit einem feuchten Tuch ab. Wringen Sie das Tuch vor der Reinigung bitte gut aus.



Um elektrische Schläge zu vermeiden, den Staubbehälter bitte nicht unter fließendem Wasser reinigen!

5. Reinigen Sie das Zyklon-Baugruppe und Vorfilter bis sie sauber sind. Nach der Reinigung mindestens 24 Stunden an der Luft trocknen lassen.



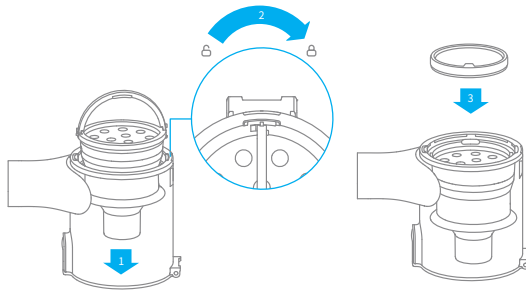
Zyklon-Baugruppe Vorfilter

Hinweis: Es wird empfohlen, den Vorfilter mindestens einmal alle 3 Monate und das Zyklonsystem mindestens einmal alle 6 Monate zu reinigen.

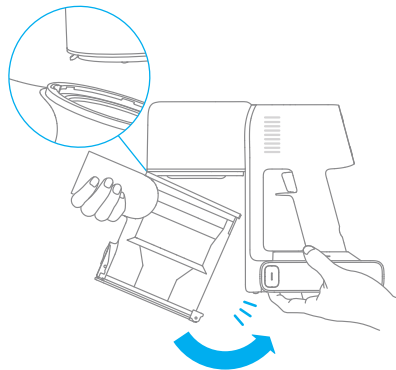
# Pflege und Wartung

## Installation des Staubbehälters, des Vorfilters und der Zyklon-Baugruppe

1. Setzen Sie die Zyklon-Baugruppe vertikal in den Staubbehälter ein und vergewissern Sie sich, dass der Griff der Zyklon-Baugruppe korrekt mit dem Schlitz auf der linken Seite des Staubbehälters ausgerichtet ist. Drehen Sie den Griff im Uhrzeigersinn, bis er einrastet, und klappen Sie dann den Griff nach unten.
2. Setzen Sie den Vorfilter mit der Vorderseite nach oben in die Zyklon-Baugruppe ein.



3. Neigen Sie den Staubbehälter leicht, so dass der Schlitz mit dem Clip am Staubsauger ausgerichtet ist. Schieben Sie den Staubbehälter dann vorsichtig hinein, bis er einrastet.



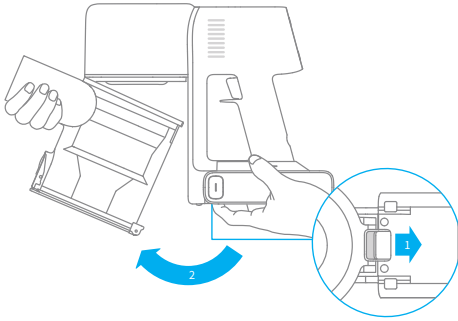


# Pflege und Wartung

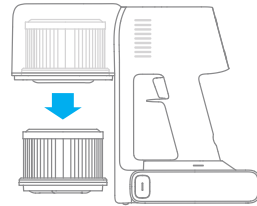
## Reinigung des Filter

Der Filter sollte alle 4 bis 6 Monate ausgewechselt werden.

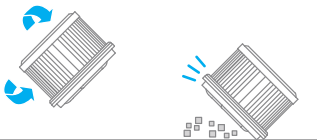
1. Entfernen Sie den Staubbehälter wie in der Abbildung dargestellt.



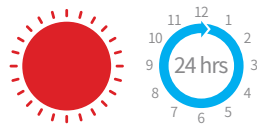
2. Entfernen Sie den Filter aus dem Staubsauger, indem Sie ihn in die in der Abbildung gezeigten Richtung nach unten ziehen.



3. Reinigen Sie den Filter mit sauberem Wasser. Achten Sie darauf, dass Sie den Filter um 360° drehen, um den gesamten im Filter aufgefangenen Staub gründlich zu entfernen. Klopfen Sie mehrmals leicht auf den Filter, um vorhandenen Schmutz zu entfernen.



4. Lassen Sie den Filter mindestens 24 Stunden lang gründlich trocknen.

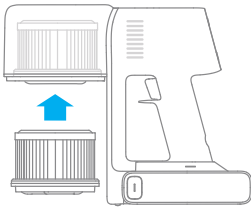


### Hinweis:

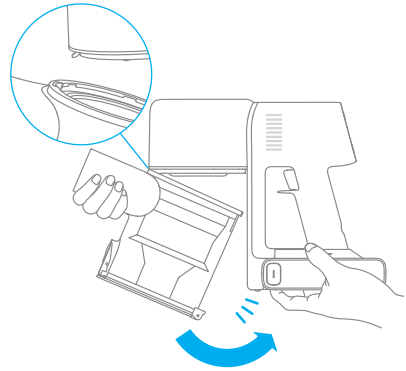
- Säubern Sie den Filter ausschließlich mit sauberem Wasser. Verwenden Sie keine Reinigungsmittel.
- Versuchen Sie nicht, den Filter mit einer Bürste oder einem Finger zu reinigen.

## Installation des Filters

1. Setzen Sie den Filter in den Staubsauger ein und drücken Sie ihn vorsichtig nach unten, wie in der Abbildung gezeigt.



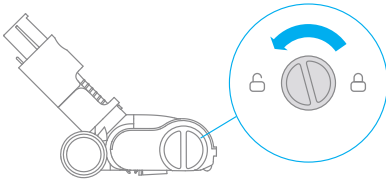
2. Installation des Staubbehälters.



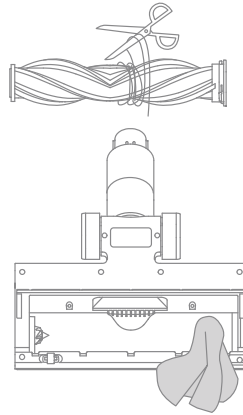
# Pflege und Wartung

## Reinigen der intelligenten Mehrfachbürstenstange

1. Drehen Sie die Verriegelung gegen den Uhrzeigersinn, bis sie stoppt, und nehmen Sie dann die Rotationsbürste von der intelligenten Multibürstenstange ab.



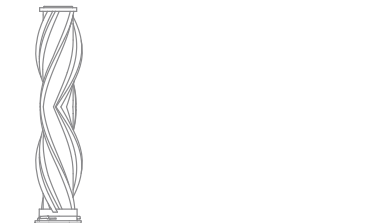
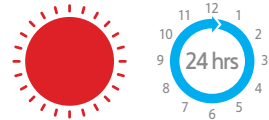
2. Verwenden Sie eine Schere, um Haare oder andere Fremdkörper, die sich an der Rollbürste verfangen haben, abzuschneiden und herauszupicken. Wischen Sie überschüssigen Staub vom Schlitz und der durchsichtigen Plastikabdeckung mit einem trockenen Tuch oder Papiertuch ab.



3. Falls sie verschmutzt ist, spülen Sie den Bürstenkopf mit sauberem Wasser ab, bis er sauber ist.

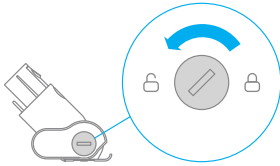


4. Nach der Wäsche sollten Sie die Rollbürste mindestens 24 Stunden in einem gut belüfteten Raum aufrecht stehen lassen, um sie gründlich zu trocknen.

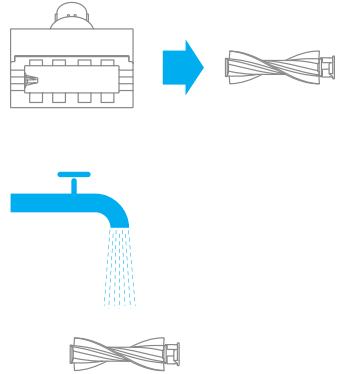


## Reinigung der elektrischen Mini-Bürste

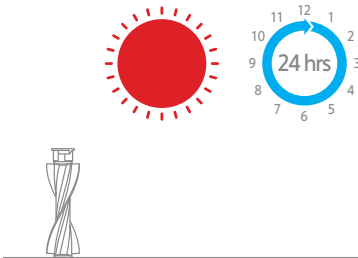
1. Drehen Sie mit Hilfe einer Münze die Verriegelung gegen den Uhrzeigersinn bis zum Klick.



2. Nachdem Sie Rollbürste entriegelt haben, entfernen Sie diese von der elektrischen Mini-Bürste. Spülen und reinigen Sie die Rollbürste.



3. Nach der Wäsche sollten Sie die Rollbürste mindestens 24 Stunden in einem gut belüfteten Raum aufrecht stehen lassen, um sie gründlich zu trocknen.



4. Nachdem die Rollbürste getrocknet ist, montieren Sie diese erneut, indem Sie die Ausbau-Schritte in umgekehrter Reihenfolge durchführen.

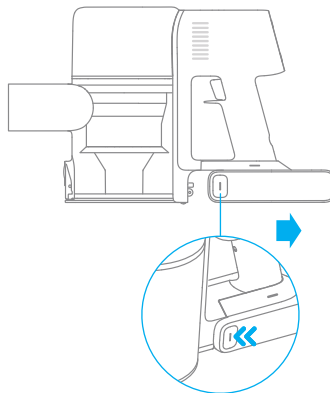


# Pflege und Wartung

## Akku

Der Staubsauger enthält einen herausnehmbaren, wiederaufladbaren Lithium-Ionen-Akku, der eine begrenzte Anzahl von Ladezyklen hat. Nach längerem Gebrauch kann es geschehen, dass der Akku keine Ladung mehr hält. Wenn dies geschieht, bedeutet dies, dass der Akku das Ende seiner Lebensdauer erreicht hat und ersetzt werden muss.

1. Drücken Sie den Entriegelungsknopf des Akkus nach unten und schieben Sie den Akku, wie in der Abbildung gezeigt, nach rechts, um ihn zu entfernen.
2. Installation des neuen Akkus.



Staubsauger			
Modell	VTT1	Ladespannung	34 V ===
Bemessungsleistung	550 W	Nennspannung	29,6 V ===
Ladedauer	Ca. 4 Stunden	Akkukapazität	2900 mAh (Nennkapazität)
Intelligente Mehrfachbürstenstange			
Modell	ASF5		
Bemessungsleistung	40 W	Nennspannung	29,6 V ===
Elektrische Mini-Bürste			
Modell	VPA3		
Bemessungsleistung	20 W	Nennspannung	29,6 V ===
Ladegerät			
Modell	ZD024M340090EU/ ZD024M340090AU	Durchschnittliche aktive Effizienz	87,01 %
Eingang	100 - 240 V ~ 50-60 Hz, 0,8 A max	Effizienz bei geringer Last (10%)	77,01 %
Ausgang	34 V === 0,9 A	Stromverbrauch im lastfreien Zustand	0,1 W
Wiederaufladbarer Lithium-Ionen-Akku			
Akkumodell	P2033-8S1P-PAA	Akkukapazität	2900 mAh (Nennkapazität)
Nennspannung	29,6 V ===	Energie	81,4 Wh











Der Lithium-Ionen-Akku enthält umweltgefährdende Stoffe. Bevor der Staubsauger entsorgt wird, muss zunächst der Akku entfernt werden, anschließend muss in Übereinstimmung mit den lokalen Gesetzen und Vorschriften des Landes oder der Region, in dem er benutzt wurde, eine Entsorgung oder Wiederverwertung stattfinden.

Falls der Staubsauger nicht korrekt funktionieren sollte, beachten Sie bitte die folgende Tabelle, um eine Problemlösung zu finden.

Fehler	Mögliche Ursache	Lösung
Der Staubsauger funktioniert nicht.	Der Akku ist leer oder fast leer.	Laden Sie den Staubsauger vollständig auf und versuchen Sie es erneut.
	Durch eine Blockade wurde der Überhitzungsschutz ausgelöst.	Warten Sie, bis der Staubsauger abgekühlt ist und versuchen Sie es dann erneut.
	Die Saugöffnung oder der Strömungsweg ist blockiert.	Befreien Sie die Ansaugöffnung oder den Strömungsweg von etwaigen Hindernissen.
Die Saugleistung ist reduziert.	Der Staubbehälter ist voll und/oder der Filter ist verstopft.	Leeren Sie das Staubfach und reinigen Sie die Filtereinheit.
	Das Zubehörteil ist blockiert.	Entfernen Sie Blockaden vom Zubehörteil.
Der Motor gibt ein merkwürdiges Geräusch ab.	Die Hauptsaugöffnung oder die Karbonfaserstange ist blockiert.	Beseitigen Sie die Blockaden in der Hauptsaugöffnung oder der Karbonfaserstange.
Die Akku-Anzeige leuchtet während des Ladevorgangs nicht auf.	Das Ladegerät ist nicht mit dem Staubsauger verbunden.	Vergewissern Sie sich, dass das Ladegerät richtig eingesteckt ist.
	Der Akku ist vollständig geladen und ist in den Energiesparmodus gewechselt.	Der Staubsauger kann normal benutzt werden.
	Der Akku wird nur langsam geladen.	Wenn die beiden vorstehend genannten Möglichkeiten ausgeschlossen worden sind und das Problem weiter besteht.
Wenden Sie sich bitte an den Kundendienst, um Hilfe zu erhalten.	Die Temperatur des Akkus ist zu hoch oder zu niedrig.	Warten Sie, bis die Akkutemperatur sich normalisiert hat und setzen Sie dann die Benutzung fort.

# Fehleralarm

Hinweis: Wenn irgendein Fehler bei der Verwendung des Produkts auftritt, wird der Bildschirm eine Fehlermeldung ausgeben. Sie sollten den Anweisungen auf dem Bildschirm folgen, um die normale Leistung sicherzustellen.

Fehler-Symbol	Fehlermeldung	Lösungen
	Batterieüberhitzung	Warten Sie, bis die Akkutemperatur sich normalisiert hat, bevor Sie die Benutzung fortsetzen.
	Die Rollbürste sitzt fest	Siehe den Abschnitt des Wartungshandbuchs [Reinigung der Intelligente Mehrfachbürstenstange] zur Entfernung von Haaren und anderen Verschmutzungen, die sich an der Rotationsbürste verfangen haben.
	Luftkanal blockiert	Überprüfen Sie, ob er Staubbehälter, die Karbonfaserstange oder die intelligente Multi-Bürstenstange blockiert ist.
	Fehler	Wenden Sie sich bitte an den Kundendienst, um eine Wartung zu veranlassen.
	Batteriestand niedrig	Demnächst aufladen.
	Der Akku ist leer	Demnächst aufladen.
	Der Filter läuft bald ab	Bitte tauschen Sie den Filter rechtzeitig aus.
	Filter deinstalliert	Vergewissern Sie sich, dass der Filter und der Vorfilter korrekt installiert sind.
	Filter austauschen	Bitte tauschen Sie den Filter rechtzeitig aus. Nach dem Ersetzen des Filters drücken und halten Sie die Taste  für 1.5 Sekunden um den Filter zurückzusetzen, halten Sie die Taste für weitere 5 Sekunden gedrückt, bis  auf dem Bildschirm erscheint.



## WEEE-Informationen



Alle mit diesem Symbol gekennzeichneten Produkte sind Elektroschrott und Elektrogeräte (WEEE entsprechend EU-Richtlinie 2012/19/EU) und dürfen nicht mit unsortiertem Haushaltsmüll vermischt werden. Schützen Sie stattdessen Ihre Mitmenschen und die Umwelt, indem Sie Ihre zu entsorgenden Geräte an eine dafür vorgesehene, von der Regierung oder einer lokalen Behörde eingerichtete Sammelstelle zum Recycling von Elektroschrott und Elektrogeräten bringen. Eine ordnungsgemäße Entsorgung und Recycling helfen, negative Auswirkungen auf die Gesundheit von Umwelt und Menschen zu vermeiden. Wenden Sie sich bitte an den Installateur oder lokale Behörden, um Informationen zum Standort und den allgemeinen Geschäftsbedingungen solcher Sammelstellen zu erhalten.

# Consignes de sécurité

Veillez lire attentivement ce manuel avant toute utilisation et le conserver pour pouvoir le consulter ultérieurement afin d'éviter les accidents, notamment les chocs électriques ou les incendies causés par une mauvaise utilisation.

## Avertissement

- Ce produit ne peut être utilisé par des enfants qu'à partir de 8 ans, et des personnes présentant des déficiences physiques, sensorielles ou intellectuelles, ou dont l'expérience et les connaissances sont limitées sous le contrôle d'un parent ou d'un tuteur pour assurer une utilisation sécurisée et éviter tout danger. Le nettoyage et l'entretien ne doivent pas être effectués par des enfants sans surveillance.
- L'aspirateur n'est pas un jouet. Les enfants ne doivent pas jouer avec ce produit ou l'utiliser. Soyez vigilant lorsque vous utilisez ce produit à proximité d'enfants. Les enfants ne sont pas autorisés à nettoyer ou à entretenir l'aspirateur sans la surveillance d'un parent ou d'un adulte.
- N'utilisez pas l'aspirateur à l'extérieur sur des surfaces mouillées. Utilisez-le uniquement sur des surfaces sèches à l'intérieur. Ne touchez pas la prise ou toute partie de l'aspirateur avec des mains mouillées.
- Vérifiez que la batterie au lithium et l'adaptateur de charge ne sont pas endommagés avant utilisation afin de réduire le risque d'incendie, d'explosion ou de blessure. N'utilisez pas l'aspirateur si l'un de ces éléments est endommagé.
- La barre multi-brosses intelligente, la batterie, la extension en fibre de carbone et l'aspirateur sont conducteurs et ne doivent pas être immergés dans l'eau ou tout autre liquide. Veillez à sécher tous les filtres après nettoyage.
- Évitez les blessures causées par les pièces mobiles. Mettez l'aspirateur hors tension avant de nettoyer la barre multi-brosses intelligente. La barre multi-brosses intelligente, le compartiment à poussière et le filtre doivent être convenablement installés avant d'utiliser l'aspirateur.
- Utilisez uniquement l'adaptateur de charge d'origine. N'utilisez jamais d'adaptateur d'une autre marque, car la batterie au lithium pourrait prendre feu.
- N'utilisez pas l'aspirateur pour aspirer des liquides inflammables ou combustibles, comme de l'essence, ou de l'eau de javel, de l'ammoniaque, des nettoyeurs pour canalisations ou tout autre liquide.
- N'utilisez pas l'aspirateur pour aspirer des particules de plâtre, des cendres ou des matériaux de combustion ou des substances fumigènes, tels que du charbon, des mégots de cigarette ou des allumettes.
- N'utilisez pas l'aspirateur pour aspirer des objets durs ou pointus, comme du verre, des clous, des vis ou des pièces de monnaie sous peine d'endommager l'appareil.
- Tenez vos cheveux, tout vêtement ample, vos doigts et toute autre partie du corps éloignés des orifices et des pièces amovibles de l'aspirateur. Ne dirigez pas le tuyau, le tube ou les accessoires vers vos yeux ou vos oreilles et ne les placez pas dans votre bouche.
- Ne placez aucun objet dans les orifices de l'aspirateur. N'utilisez pas l'aspirateur en cas d'obstruction d'un des orifices. Retirez la poussière, les peluches, les cheveux ou tout autre élément susceptible de réduire le flux d'air.

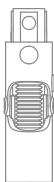
- Ne placez pas l'aspirateur contre une chaise, une table ou toute surface instable sous peine d'endommager l'appareil ou de vous blesser. Si l'aspirateur est endommagé ou fonctionne mal en raison d'une chute, contactez notre service après-vente agréé. Ne tentez jamais de démonter l'appareil vous-même.
- Toutes les instructions du manuel relatives à la recharge de la batterie doivent être suivies scrupuleusement. Vous pourriez endommager la batterie si vous ne la chargez pas dans la plage de températures spécifiée.
- Veillez à débrancher l'aspirateur lorsqu'il n'est pas utilisé pendant une période prolongée ou avant tout entretien ou toute réparation.
- Soyez extrêmement vigilant lorsque vous utilisez l'aspirateur pour nettoyer un escalier.
- Ce produit ne doit pas être installé, chargé ou utilisé à l'extérieur, dans une salle de bains ou autour d'une piscine.
- Avertissement sur le risque d'incendie : N'appliquez aucun parfum dans le filtre de l'aspirateur. L'appareil pourrait prendre feu, car ces types de produits sont connus pour contenir des produits chimiques inflammables.
- Ce produit est conçu pour une utilisation domestique uniquement.
- Utilisez uniquement le chargeur d'origine (modèle ZD024M340090EU/ZD024M340090AU).
- Utilisez uniquement le type de batterie approuvé (modèle P2033-8S1P-PAA). Si cette consigne n'est pas respectée, la batterie lithium-ion risque de prendre feu.
- Ne pas l'utiliser ni le déposer dans des environnements extrêmement chauds ou froids (en dessous de 0°C/32° F ou au-dessus de 40°C/104° F). Chargez à une température entre 0° C et 40° C en utilisant l'adaptateur d'alimentation d'origine.

Par la présente, Dreame Trading (Tianjin) Co., Ltd, déclare que cet équipement est conforme aux directives et normes européennes applicables, ainsi qu'à leurs amendements. L'intégralité de la déclaration de conformité pour l'UE est disponible à l'adresse suivante: [www.dreame-technology.com](http://www.dreame-technology.com)

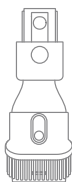
Pour obtenir un manuel électronique détaillé, rendez-vous sur le site <https://www.dreame-technology.com/pages/user-manuals-and-faqs>

# Présentation du produit

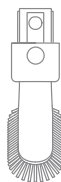
## Liste des accessoires



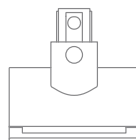
Adaptateur flexible



Bec de brosse  
2-en-1



Brosse Dépoussiérante  
Douce



Mini brosse  
électrique



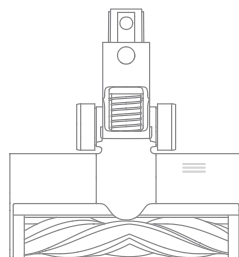
Extension en fibre  
de carbone



Tuyau souple  
extensible



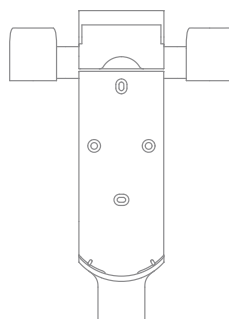
Chargeur



Barre multi-brosses  
intelligente



LED Bec pour fentes

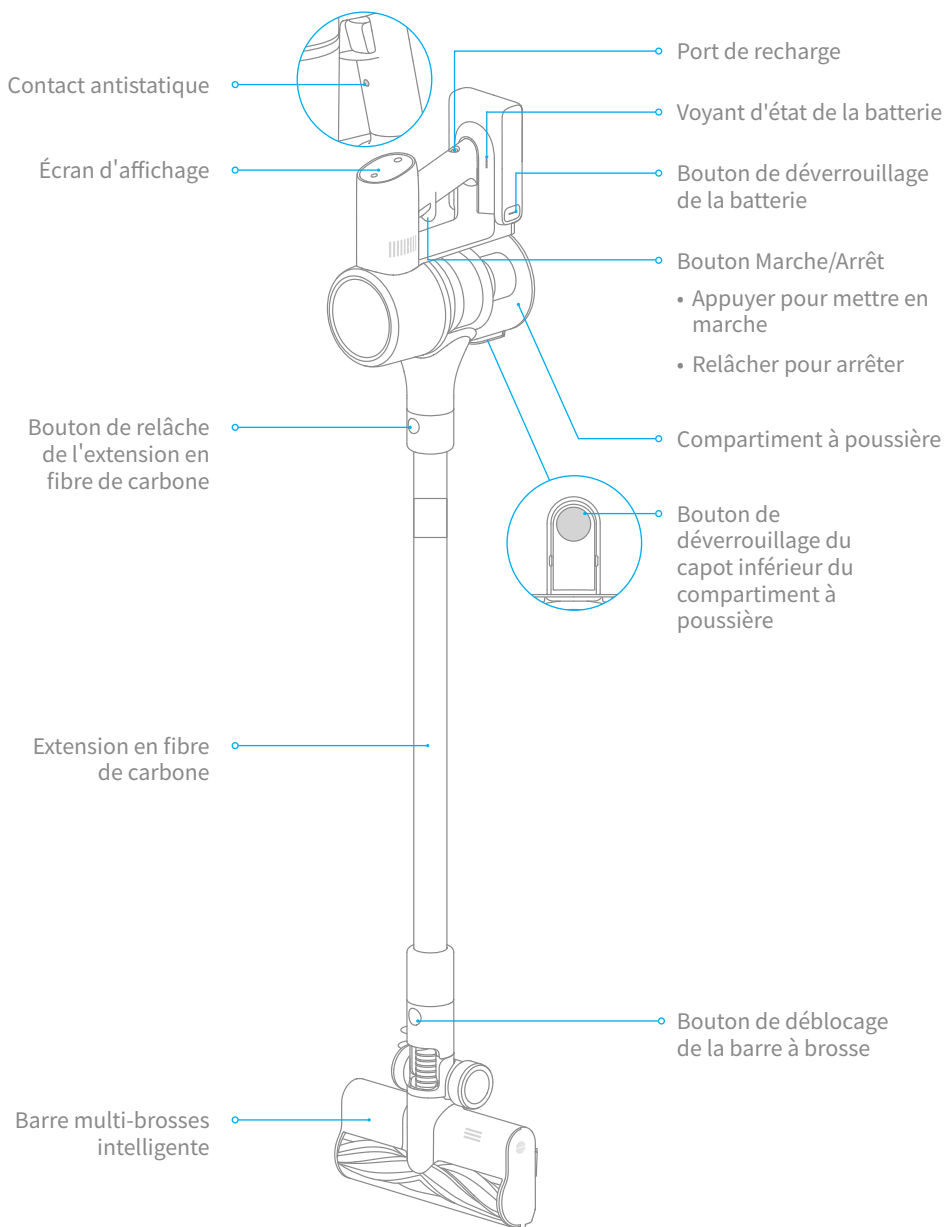


Station de charge et  
de stockage 2-en-1  
(inclut 2 vis, 2 chevilles  
murales, un patron  
d'installation autocollant)

Rappel : Photo non contractuelle, veuillez vous référer aux objets concrets.

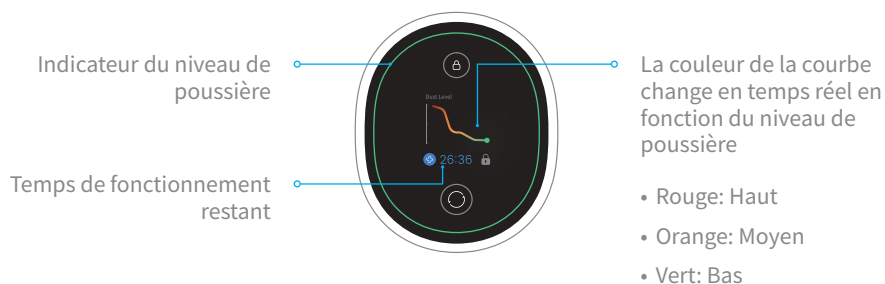
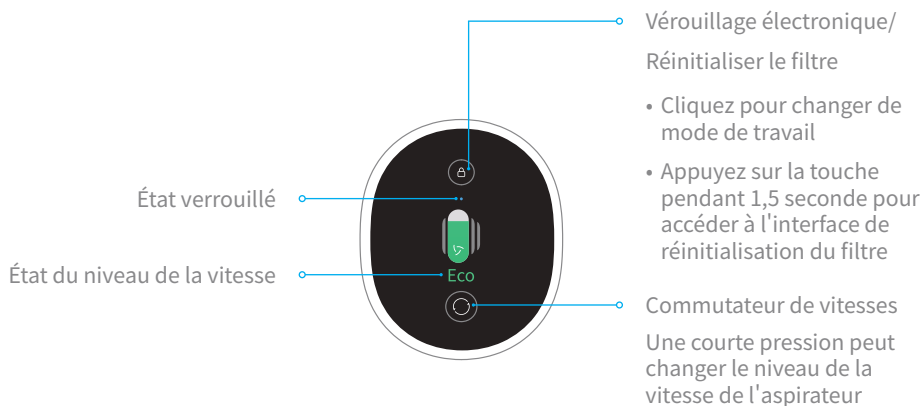
# Présentation du produit

## Nom du composant



# Présentation du produit

## Fonction introduction de l'écran d'affichage



### Remarque :

- La couleur de l'indicateur du niveau de poussière changent en fonction de la quantité de poussière aspirée.
- Le temps de fonctionnement restant est estime pour référence mais peut différer du temps réel.

# Procédure d'installation

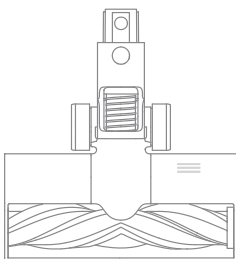
## Installation des accessoires sur l'aspirateur



Insérer jusqu'à entendre un dé clic



Insérer jusqu'à entendre un dé clic



# Procédure d'installation

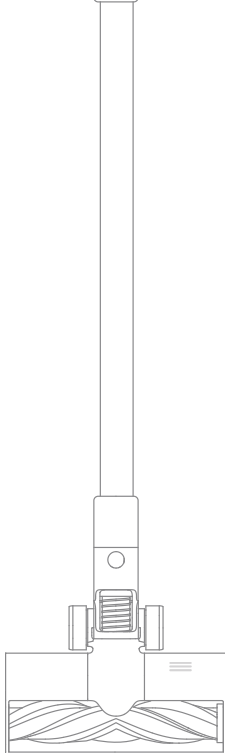
## Fixation des accessoires



≡ Insérer jusqu'à entendre un dé clic



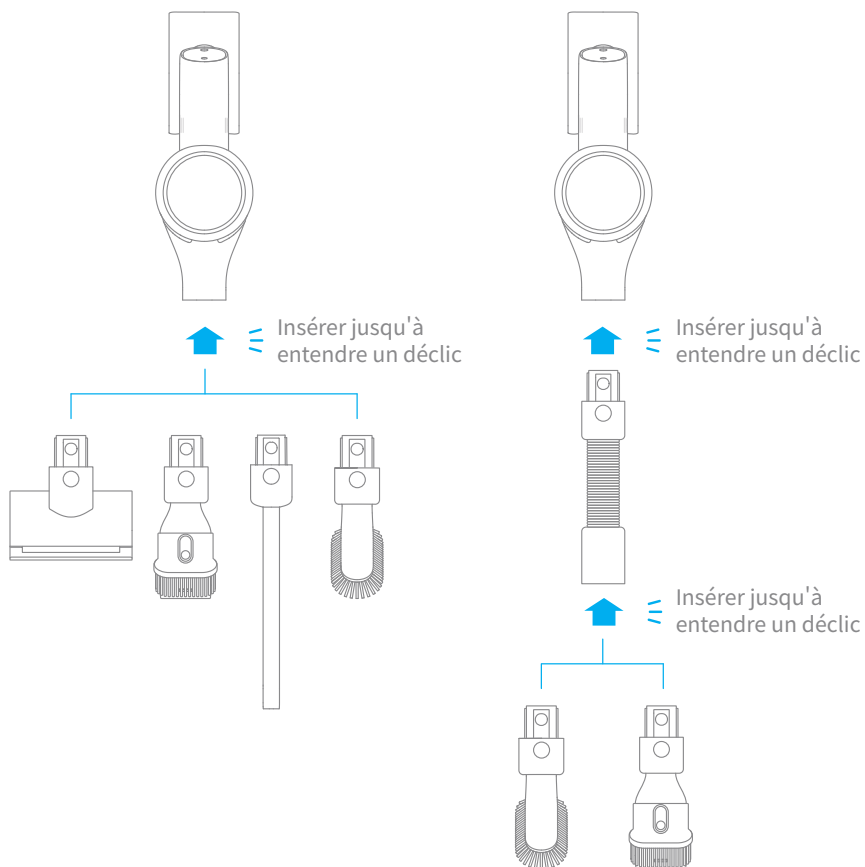
≡ Insérer jusqu'à entendre un dé clic





# Procédure d'installation

## Fixation des accessoires



# Procédure d'installation

## Installation de la station de charge et de stockage 2-en-1

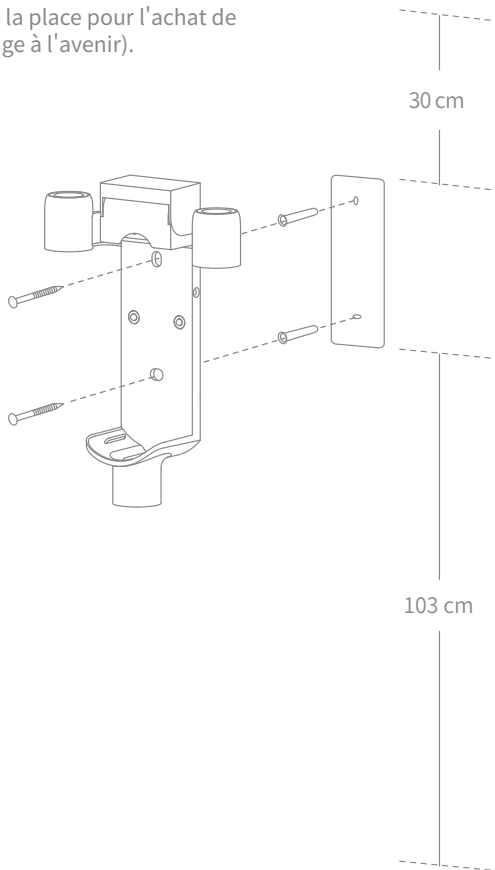
(Cette station est un accessoire facultatif que vous pouvez installer en fonction de vos besoins.)

Remarque :

La station de charge et de stockage 2-en-1 doit être installée dans un lieu sec et frais, à proximité d'une prise électrique. Avant l'installation, vérifiez qu'il n'y ait pas de fil électrique ou de tuyauterie dans l'espace directement situé derrière l'emplacement où sera placée la station.

1. Le bas du patron d'installation autocollant doit être horizontal et à 1,03 m du sol minimum. Un espace de 30 cm doit être libre au-dessus du patron.
2. Utilisez une perceuse électrique avec une fraise de 8 mm pour percer un trou à chaque emplacement indiqué sur le patron d'installation. Ensuite, insérez une cheville murale dans chaque trou.
3. Alignez les trous de montage sur la station de charge et de stockage 2-en-1 et ceux percés dans le mur. Fixez la station au mur à l'aide des vis fournies.

(\*30 cm : Faites de la place pour l'achat de batterie de rechange à l'avenir).



# Recharge

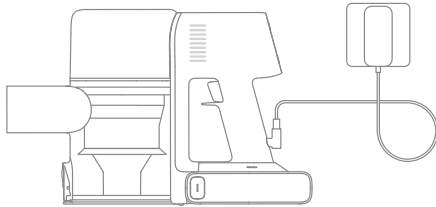
Chargez entièrement la batterie de l'aspirateur avant la première utilisation.

Remarque :

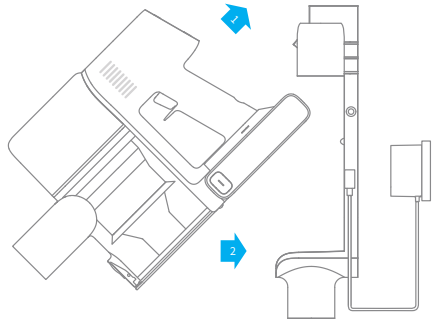
- Cette opération dure environ 4 heures.
- L'aspiration en mode Turbo pendant une période prolongée peut entraîner la surchauffe de la batterie, ce qui augmente le temps de charge. Laissez l'aspirateur refroidir pendant 30 minutes avant de le charger.

## Modes de charge

Recharge de l'aspirateur avec le chargeur



Recharge de l'aspirateur sur la station de charge



## Affichage des modes de fonctionnement

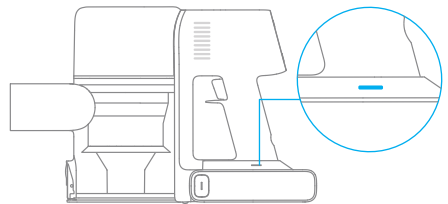
### Écran d'affichage

Le nombre figurant sur l'écran d'affichage représente le niveau de batterie actuel en pourcentage pendant la charge. Lorsque ce nombre atteint 100, la batterie est complètement chargée.







### Voyant d'état de la batterie

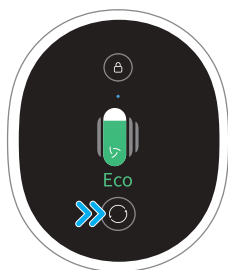
Lors du chargement, le voyant clignote. Et quand la charge est terminée, le voyant reste allumé.






Remarque : Une fois l'aspirateur entièrement chargé, le voyant s'éteint au bout de 5 minutes et l'appareil passe en mode économie d'énergie.

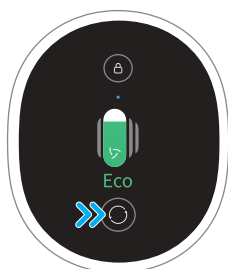
## Configuration de la langue

Pressez et maintenez la pression sur le bouton  pendant 3 secondes pour afficher le menu. Cliquez sur le bouton  pour afficher « Language ». Pressez le bouton pendant une seconde pour entrer dans les options de langue. Pressez le bouton  brièvement pour faire défiler les langues, puis appuyez sur le bouton  pendant 3 secondes pour compléter le changement.




## Rapports de nettoyage

Pressez et maintenez la pression sur le bouton  pendant 3 secondes pour afficher le menu. Cliquez sur le bouton  pour afficher « Enregistrement » et appuyez sur le bouton  pour une seconde pour entrer le menu des rapports de nettoyage. Vous pourrez ensuite consulter le compte rendu des nettoyages des 7 derniers jours.




Remarque :

- l'écran d'affichage passera en page principale si aucune opération n'est effectuée pendant plus de 15 secondes.
- Pour sortir de l'interface du menu, cliquez le bouton  pour sélectionner "Sortie".

# Mode d'utilisation

## Commutateur de vitesses

Appuyez sur le bouton  pour modifier le niveau d'aspiration : Auto, Éco, Médium ou Turbo. Le niveau d'aspiration correspondant apparaîtra en surbrillance sur l'écran d'affichage.

La couleur de l'indicateur du niveau de poussière changent en fonction de la quantité de poussière aspirée. Lorsque l'extension multi-brosses est rattachée, l'aspirateur changera automatiquement le niveau d'aspiration entre le sol/carreau et le tapis.

### Remarque :

Si vous arrêtez l'aspirateur à tout moment pendant votre session de nettoyage, il conservera le même niveau d'aspiration lorsqu'il sera rallumé.

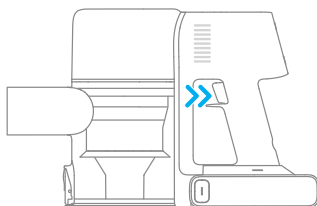
## Mode de nettoyage

Il existe deux modes de fonctionnement pour l'aspirateur, qui peuvent être sélectionnés en fonction de vos propres besoins.

Lorsque l'aspirateur est allumé, il contrôle la quantité de poussière absorbée en l'espace d'une seconde. La quantité de poussière est représentée en temps réel sur l'écran par la couleur de la courbe d'évaluation du niveau de poussière.

### Mode 1 : Mode de nettoyage discontinu

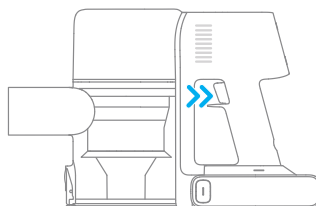
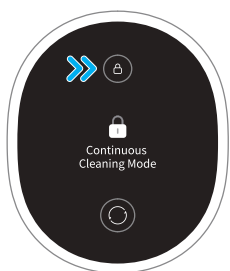
Dans ce mode, appuyez brièvement sur l'interrupteur pour suspendre le fonctionnement ou démarrer à nouveau, et le mode de fonctionnement de l'aspirateur ne changera pas.



### Mode 2 : Mode de nettoyage continu (verrouillage électronique)

En mode veille, cliquez sur la touche de verrouillage électronique pour passer en mode de nettoyage continu, puis appuyez brièvement sur l'interrupteur pour faire passer l'aspirateur en mode de nettoyage continu.

Utilisez le verrouillage électronique pour vous permettre de libérer vos doigts et éviter ainsi la fatigue causée par le maintien de l'interrupteur.



#### Remarque :

- Dans ce mode, appuyez brièvement sur l'interrupteur pour suspendre le fonctionnement ou démarrer à nouveau, et le mode de fonctionnement de l'aspirateur ne changera pas.
- Cliquez à nouveau sur le verrouillage électronique pour quitter le mode de nettoyage continu.

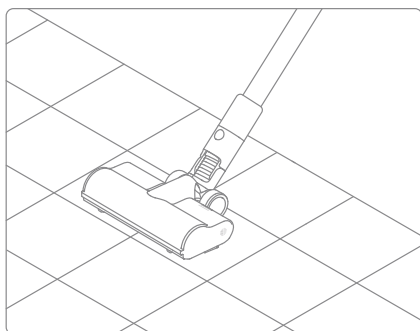
# Mode d'utilisation

## Utilisation des différents accessoires

### Barre multi-brosses intelligente

Pour le nettoyage de sols en marbre, carrelage et moquette courte. Quand le mode automatique est activé, l'aspirateur ajuste automatiquement son niveau d'aspiration en fonction du type de surface.

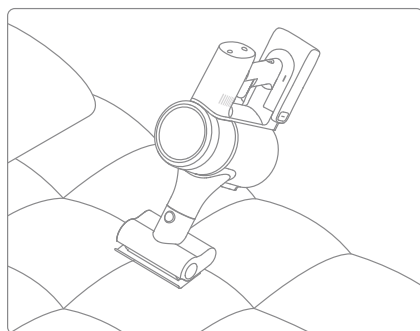
Remarque : la barre multi-brosses intelligente peut être fixée directement à l'aspirateur.



### Mini brosse électrique

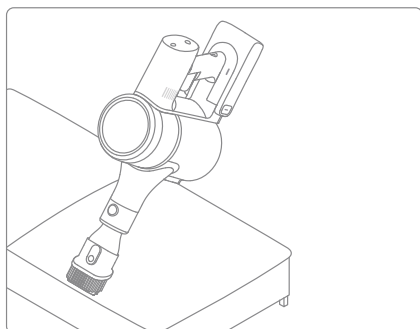
Pour l'aspiration de poussière, poils d'animaux et autres résidus tenaces sur des canapés, linges de lit et autres surfaces en tissu.

Remarque : il n'est pas recommandé de passer l'aspirateur sur les surfaces qui accrochent, comme la soie.



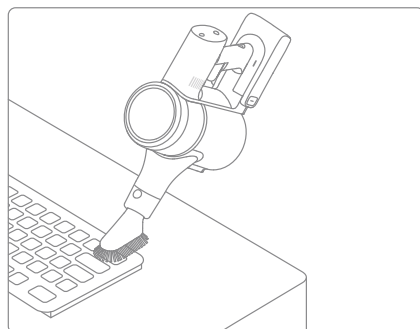
### Bec de brosse 2-en-1

Pour l'aspiration de rideaux, canapés, intérieur de véhicules, tables de salon, etc.



### Brosse Dépoussiérante Douce

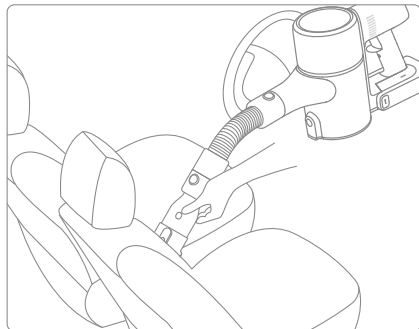
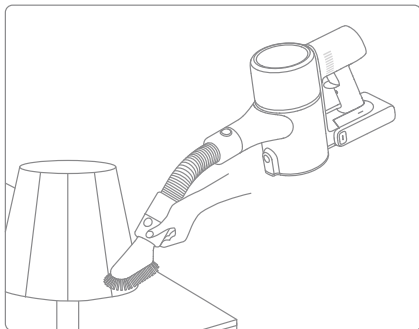
Adapté à l'aspiration des LCD, claviers, abat-jours, rideaux, volets et autres surfaces fragiles.



# Mode d'utilisation

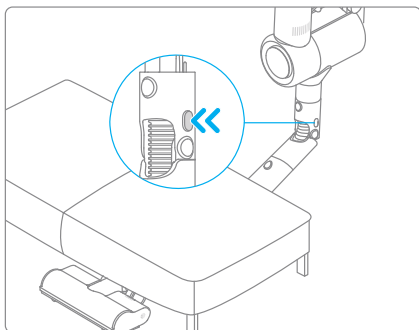
## Tuyau souple extensible

Il convient à l'aspiration des endroits difficilement accessibles comme les tiroirs, intérieurs de véhicules et dessous de sofas lorsque utilisé avec la brosse dépoussiérante douce ou la brosse à bec 2 en 1.



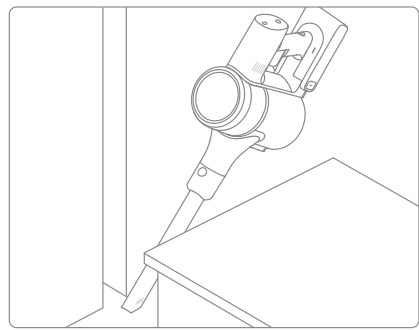
## Adaptateur flexible

Plier et étendre la barre en un clic permet d'atteindre facilement l'en-dessous des meubles les plus bas, comme les lits ou sofas.



## LED Bec pour fentes

Le bec est équipé d'un embout fin et d'une lampe LED. Il convient à l'aspiration des débris dans les endroits les plus étroits.



## Remarque :

- Si une pièce rotative se coince, l'aspirateur est susceptible de s'éteindre automatiquement. Retirez tout objet coincé dans l'aspirateur, puis poursuivez votre utilisation.
- Quand la batterie surchauffe en fonctionnement, l'aspirateur s'éteint automatiquement. Attendez que la température de la batterie revienne à un niveau normal, puis poursuivez votre utilisation.



# Entretien et maintenance

## Précautions concernant la maintenance

1. Utilisez toujours des pièces d'origine, faute de quoi la garantie pourrait être annulée.
2. En cas d'obstruction du filtre ou du bec, l'aspirateur s'arrête de fonctionner peu après avoir été mis sous tension. Nettoyez le filtre ou le bec afin de rétablir son fonctionnement.
3. Si vous ne prévoyez pas d'utiliser l'aspirateur pendant une période prolongée, chargez-le entièrement, débranchez-le, puis entreposez-le dans un endroit frais, à l'abri de l'humidité et de la lumière directe du soleil. Afin d'éviter une décharge excessive de la batterie, rechargez l'aspirateur au moins une fois tous les trois mois.

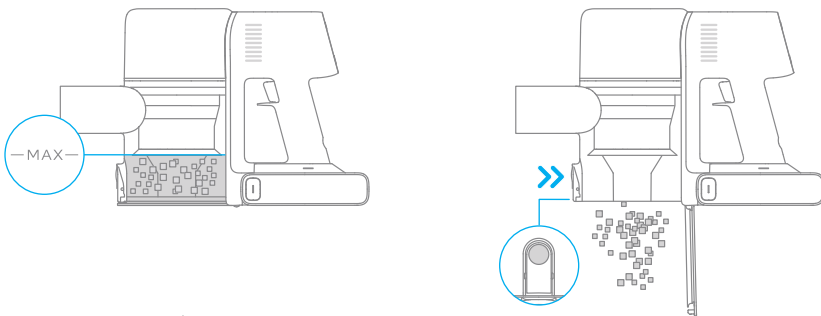
## Nettoyage de l'aspirateur Vacuum Cleaner

Essuyez l'aspirateur avec un chiffon doux et sec.

## Nettoyage du compartiment à poussière, du préfiltre et de l'ensemble cyclone

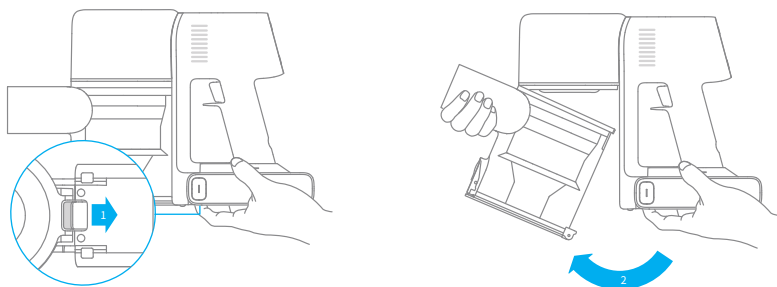
La capacité de nettoyage de l'aspirateur diminuera si le compartiment à poussière est rempli jusqu'au niveau « MAX ». Videz-le pour améliorer les performances. Avant de vider le compartiment, assurez-vous d'avoir bien débranché l'aspirateur et n'appuyez pas sur le bouton marche/arrêt.

1. Appuyez sur le bouton de déverrouillage du capot inférieur du compartiment à poussière, puis videz celui-ci.

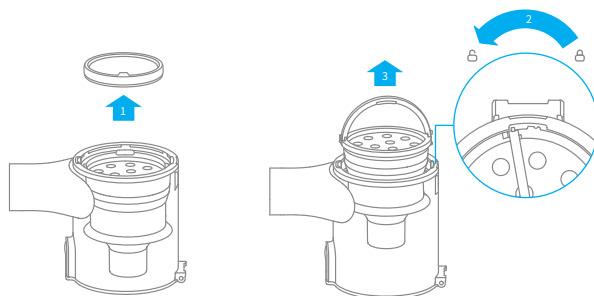


# Entretien et maintenance

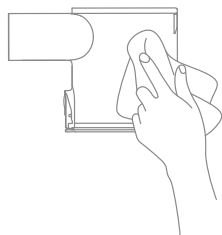
2. Poussez l'interrupteur de déverrouillage du compartiment à poussière dans la direction indiquée par la flèche, puis retirez délicatement le compartiment à poussière de l'aspirateur.



3. Retirez d'abord le préfiltre, puis levez la poignée de l'ensemble cyclone et tournez-la dans le sens inverse des aiguilles d'une montre jusqu'à ce qu'elle ne puisse plus tourner. Tirez ensuite pour soulever l'ensemble cyclone.



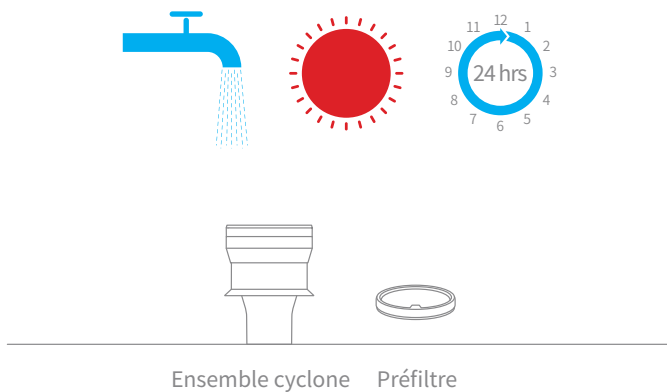
4. Essuyez le compartiment à poussière avec un chiffon doux et humide. Veillez à bien sécher le chiffon avant de l'utiliser.



Pour réduire le risque de choc électrique, ne rincez pas le compartiment à poussière avec de l'eau.

# Entretien et maintenance

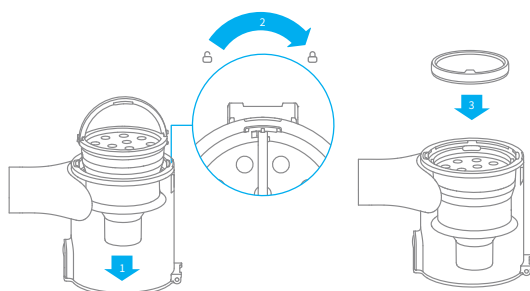
5. Rincer l'ensemble du ensemble cyclone et préfiltre jusqu'à ce qu'ils soient propres. Après le lavage, laissez sécher à l'air pendant au moins 24 heures.



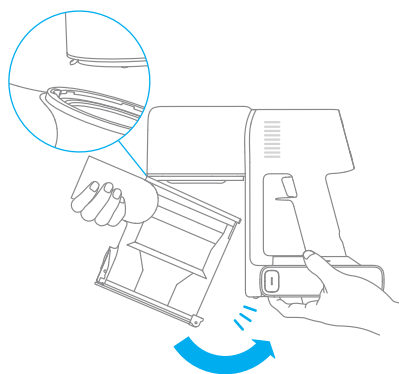
Remarque : Il est recommandé de nettoyer le pré-filtre, au moins, une fois tous les 3 mois et le système cyclone, au moins, une fois tous les 6 mois.

## Installation du compartiment à poussière, du préfiltre et de l'ensemble cyclone

1. Insérez l'ensemble cyclone à la verticale dans le compartiment à poussière. Assurez-vous que la poignée de l'ensemble cyclone est alignée avec l'encoche située à gauche du compartiment à poussière. Tournez la poignée dans le sens des aiguilles d'une montre jusqu'à ce qu'elle se verrouille, puis rabattez-la.
2. Placez le préfiltre face vers le haut dans l'ensemble cyclone.



3. Inclinez légèrement le compartiment à poussière pour que son encoche soit alignée avec le clip sur l'aspirateur. Enfoncez délicatement le compartiment à poussière jusqu'à entendre un déclic.

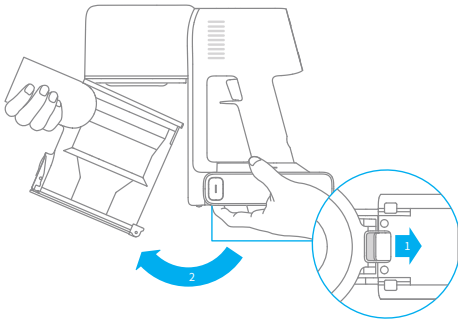


# Entretien et maintenance

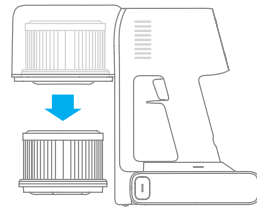
## Nettoyage du filtre

Il est recommandé de nettoyer le filtre tous les 4 à 6 mois.

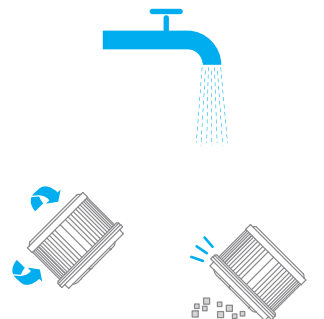
1. Retirez le compartiment à poussière comme illustré sur le schéma.



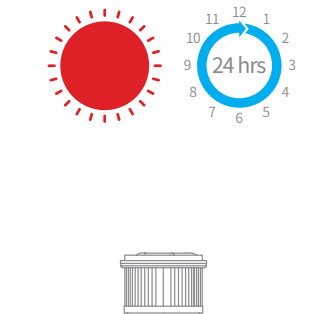
2. Retirez le filtre de l'aspirateur en tirant dessus, dans la direction indiquée sur le schéma.



3. Nettoyez le filtre avec de l'eau claire. Assurez-vous de faire pivoter le filtre à 360° afin de bien éliminer toute poussière coincée dedans. Tapotez légèrement le filtre plusieurs fois pour éliminer tout excès de poussière.



4. Laissez le filtre sécher complètement pendant au moins 24 heures.

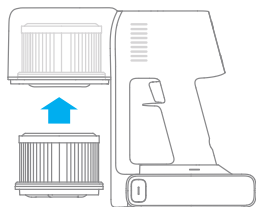


Remarque :

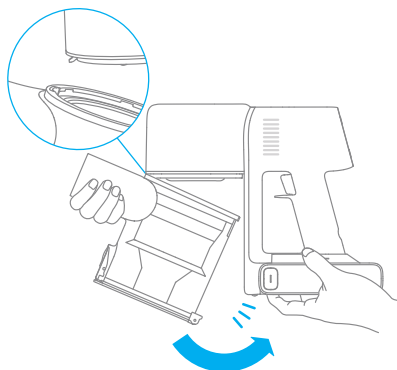
- Pour nettoyer le filtre, n'utilisez que de l'eau claire. N'utilisez pas de détergents.
- N'essayez pas de nettoyer le filtre avec une brosse ou vos doigts.

## Installation du filtre

1. Insérez le filtre dans l'aspirateur et enfoncez-le délicatement, comme indiqué sur le schéma.



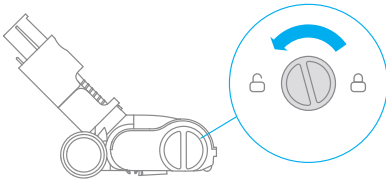
2. Réinstallez le compartiment à poussière.



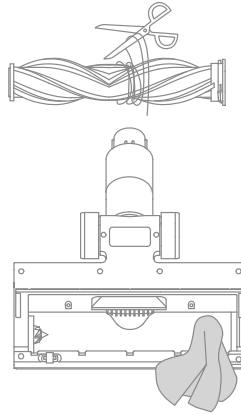
# Entretien et maintenance

## Nettoyage de la barre multi-brosses intelligente

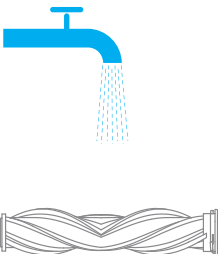
1. Tournez le mécanisme de verrouillage dans le sens inverse des aiguilles d'une montre jusqu'à ce qu'il s'arrête, puis retirez la brosse à rouleaux de la barre multi-brosses intelligente.



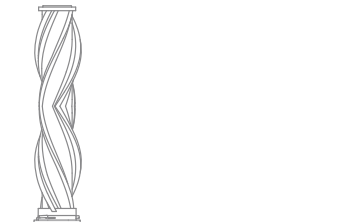
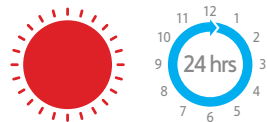
2. À l'aide de ciseaux, coupez et enlevez tout cheveu, poil ou autre saleté enroulé autour de la brosse à roulette. Enlevez tout excès de poussière de l'encoche et du couvercle en plastique transparent à l'aide d'un chiffon sec ou de papier absorbant.



3. Lorsqu'elle est sale, rincez la tête de la brosse avec de l'eau propre jusqu'à ce qu'elle soit propre.

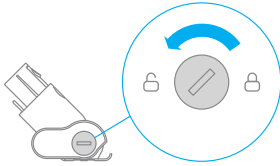


4. Après nettoyage de la brosse à roulette, laissez-la sécher complètement à la verticale dans un endroit bien aéré pendant au moins 24 heures.

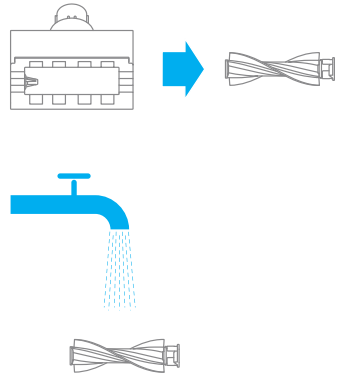


## Nettoyage de la mini brosse électrique

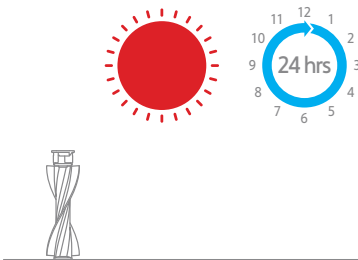
1. Utilisez une pièce de monnaie pour faire tourner le verrou dans le sens inverse des aiguilles d'une montre jusqu'à entendre un déclic.



2. Une fois la brosse à roulette déverrouillée, retirez-la de la mini brosse électrique, puis rincez et nettoyez la brosse à roulette.



3. Après nettoyage de la brosse à roulette, laissez-la sécher complètement à la verticale dans un endroit bien aéré pendant au moins 24 heures.



4. Dès que la brosse à roulette est sèche, réinstallez-la en suivant la procédure de démontage dans l'ordre inverse.





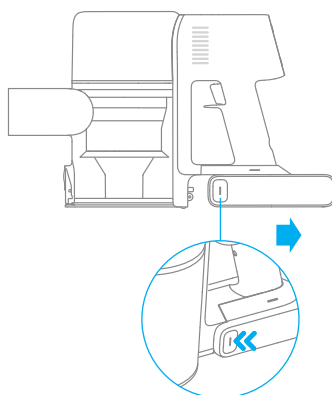
# Entretien et maintenance

## Batterie

L'aspirateur contient une batterie lithium-ion rechargeable disposant d'un nombre limité de cycles de charge. Après un usage prolongé, la batterie est susceptible de se décharger rapidement. Si c'est le cas, cela signifie que la batterie est arrivée au bout de sa durée de vie et doit être remplacée.

1. Appuyez sur le bouton de déverrouillage de la batterie et faites-la glisser vers la droite pour la retirer, comme illustré sur le schéma.

2. Installez la nouvelle batterie.



# Caractéristiques

Aspirateur			
Modèle	VTT1	Tension de charge	34 V ===
Puissance nominale	550 W	Tension nominale	29,6 V ===
Temps de Charge	Environ 4 heures	Capacité de la batterie	2900 mAh (Capacité nominale)
Barre multi-brosses intelligente			
Modèle	ASF5		
Puissance nominale	40 W	Tension nominale	29,6 V ===
Mini brosse électrique			
Modèle	VPA3		
Puissance nominale	20 W	Tension nominale	29,6 V ===
Chargeur			
Modèle	ZD024M340090EU/ ZD024M340090AU	Efficacité active moyenne	87,01 %
Entrée	100 - 240 V ~ 50-60 Hz, 0,8 A max	Efficacité à charge faible (10%)	77,01 %
Sortie	34 V === 0,9 A	Consommation d'énergie sans charge	0,1 W
Batterie rechargeable lithium-ion			
Modèle de la batterie	P2033-8S1P-PAA	Capacité de la batterie	2900 mAh (Capacité nominale)
Tension nominale	29,6 V ===	Énergie	81,4 Wh













La batterie lithium-ion contient des substances dangereuses pour l'environnement. Avant de mettre l'aspirateur au rebut, retirez d'abord la batterie pour la jeter ou la recycler conformément à la législation et à la réglementation locales du pays ou de la région dans lequel ou laquelle il est utilisé.

En cas de dysfonctionnement de l'aspirateur, consultez le tableau ci-dessous.

Erreur	Cause possible	Solution
L'aspirateur ne fonctionne pas.	La batterie est déchargée ou faible.	Rechargez complètement l'aspirateur avant de reprendre votre utilisation.
	Le mode de protection contre la surchauffe se déclenche suite à une obstruction.	Attendez que l'aspirateur refroidisse, puis réactivez-le.
	L'orifice d'aspiration ou le conduit d'air est obstrué.	Retirez les débris susceptibles de bloquer l'orifice d'aspiration ou le conduit d'air.
La puissance d'aspiration est affaiblie.	Le compartiment à poussière est rempli et/ou le filtre est obstrué.	Videz le compartiment à poussière et nettoyez l'ensemble filtre .
	L'accessoire est obstrué.	Retirez les débris susceptibles d'obstruer l'accessoire.
Le moteur fait un bruit anormal.	L'embout principal ou l'extension en fibre de carbone sont bouchés.	Dégagez les bouchons dans l'embout principal ou l'extension en fibre de carbone.
Le voyant de batterie ne s'allume pas lorsque l'aspirateur est en charge.	Le chargeur n'est pas connecté à l'aspirateur.	Assurez-vous que le chargeur est branché correctement.
	La batterie est complètement chargée et l'appareil est passé en mode veille.	L'aspirateur peut être utilisé normalement.
	Si le problème persiste après avoir écarté les deux possibilités ci-dessus.	Contactez le service après-vente qui vous aidera.
La batterie charge lentement.	La température de la batterie est trop basse ou trop élevée.	Attendez que la température de la batterie revienne à un niveau normal, puis reprenez votre session de nettoyage.

# Indication pour la panne

Si vous devez prêter attention à une anomalie quelconque pendant l'utilisation du produit, l'écran affichera un message d'avertissement. Vous devez suivre les instructions à l'écran pour que les performances restent normales.

Icône d'erreur	Message d'erreur	Solutions
	Surchauffe de la batterie	Attendez que la température de la batterie revienne à un niveau normal avant de reprendre votre session de nettoyage.
	La brosse du rouleau est coincée	Consultez « Nettoyage de la barre multi-brosses intelligente » dans la section « Entretien et maintenance », où vous trouverez des instructions pour le nettoyage de cheveux, poils et saletés coincés dans la brosse à roulette.
	Conduit d'air bloqué	Vérifiez que le compartiment à poussière, l'extension en fibre de carbone ou l'extension intelligente multi-brosses ne soient pas bouché(e)s
	Erreurs	Contactez le service après-vente pour assurer la maintenance.
	Pile Faible	Rechargez l'appareil rapidement.
	La batterie est déchargée	Rechargez l'appareil rapidement.
	Le filtre sera bientôt périmé	Veillez à remplacer le filtre en temps utile.
	Filtre désinstallé	Vérifiez que le filtre et le préfiltre sont installés correctement.
	Remplacer le filtre	Veillez à remplacer le filtre en temps utile. Après le remplacement du filtre, appuyez et maintenez la pression sur le bouton  pendant 1.5 secondes pour afficher le décompte de remplacement du filtre, pour maintenir la pression pendant cinq secondes supplémentaires jusqu'à ce que  apparaisse sur l'écran. 

## Informations DEEE



Tous les produits portant ce symbole deviennent des déchets d'équipements électriques et électroniques (DEEE dans la Directive européenne 2012/19/UE) qui ne doivent pas être mélangés aux déchets ménagers non triés. Vous devez contribuer à la protection de l'environnement et de la santé humaine en apportant l'équipement usagé à un point de collecte dédié au recyclage des équipements électriques et électroniques, agréé par le gouvernement ou les autorités locales. Le recyclage et la destruction appropriés permettront d'éviter tout impact potentiellement négatif sur l'environnement et la santé humaine. Contactez l'installateur ou les autorités locales pour obtenir plus d'informations concernant l'emplacement ainsi que les conditions d'utilisation de ce type de point de collecte.

# Importanti istruzioni disicurezza

Per evitare scosse elettriche, incendi e altre lesioni accidentali causate da un uso improprio, leggere attentamente questo manuale di istruzioni prima dell'uso.

## Avvertenze

- Questo dispositivo non può essere utilizzato da persone con disabilità fisiche, sensoriali o intellettuali e da persone senza esperienza e conoscenza pertinenti, compresi i bambini, a meno che non vi sia supervisione o guida di un tutore per garantirne l'utilizzo sicuro.
- Ai bambini è vietato utilizzare o giocare con il dispositivo. Quando si utilizza il prodotto vicino a un bambino, è necessario prestare particolare attenzione; al bambino è vietato provvedere alla pulizia o alla manutenzione del dispositivo senza un tutore.
- Non utilizzare su superfici esterne o bagnate. Utilizzare solo su superfici interne asciutte. Non toccare la spina o qualsiasi parte del dispositivo con le mani bagnate.
- Verificare che la batteria al litio e il caricabatterie non siano danneggiati prima dell'uso. Per prevenire incendi, esplosioni o lesioni, non utilizzare l'aspirapolvere quando la batteria al litio o il caricabatterie sono danneggiati.
- La barra multi-spazzola intelligente, la batteria, la tubo in fibra di carbonio e l'unità principale dell'aspirapolvere sono tutte parti sotto tensione. Non immergere in acqua né immergerlo in altri liquidi. Dopo la pulizia, assicurarsi che tutti i filtri siano completamente asciutti.
- Evita i danni causati dalle parti mobili. Spegni l'aspirapolvere prima di pulire la barra multi-spazzola intelligente. La barra multi-spazzola intelligente, il contenitore per la polvere ed il filtro devono essere tutti installati appropriatamente prima dell'uso dell'aspirapolvere.
- Utilizzare solo il caricabatterie originale, non utilizzare un adattatore non ufficiale, poiché ciò potrebbe provocare l'incendio della batteria al litio.
- Non utilizzare questa apparecchiatura per acqua, benzina e altri liquidi infiammabili o esplosivi, non inalare soluzioni tossiche come candeggina al cloro, ammoniac, detersivi per fognature o altri liquidi.
- È vietato utilizzare questo aspirapolvere per pulire la polvere di cartongesso, la brace del camino e la cenere e astenersi dall'inalare il fumo o bruciare materiali come carbone, mozziconi di sigaretta o fiammiferi. È vietato utilizzare l'aspirapolvere per pulire oggetti appuntiti come vetro, chiodi, viti, monete, altrimenti danneggerà l'aspirapolvere.
- Non utilizzare l'aspirapolvere per raccogliere oggetti duri o taglienti, come vetro, unghie, viti o monete, che potrebbero danneggiarlo.
- Tenere il flusso d'aria e le parti mobili del dispositivo lontano da capelli, indumenti larghi, dita e altre parti del corpo. Non puntare connettori metallici o altri accessori verso gli occhi, le orecchie o la bocca.
- Non posizionare oggetti sul boccaglio. È vietato bloccare la bocca di aspirazione quando si utilizza l'aspirapolvere. Polvere, cotone idrofilo, capelli o altri oggetti possono indebolire il flusso d'aria. Pulirlo per tempo.

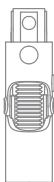
- Non posizionare l'aspirapolvere sulla sedia, sul tavolo da pranzo e su altre superfici instabili per evitare danni all'aspirapolvere o danni all'utente. Quando l'aspirapolvere è rotto, danneggiato o funziona in modo anomalo, contattare il Servizio di Assistenza ufficiale autorizzata per lo smaltimento.
- Caricare la batteria rispettando scrupolosamente le istruzioni contenute nel manuale. Se non viene caricata correttamente entro l'intervallo di temperatura specificato, la batteria potrebbe danneggiarsi.
- Scollegare l'unità per lunghi periodi di tempo e prima della manutenzione o della riparazione.
- Prestare particolare attenzione quando si utilizza la pulizia del prodotto.
- Non installare, caricare o utilizzare il dispositivo all'aperto, in bagno o in piscina.
- Avviso di pericolo di incendio, non applicare alcun prodotto aromatico al filtro di questo prodotto, poiché i prodotti chimici in tali prodotti sono infiammabili e causano l'incendio del prodotto.
- Il prodotto è progettato esclusivamente per uso domestico.
- Utilizzare esclusivamente il caricabatterie originale (modello ZD024M340090EU/ZD024M340090AU).
- Utilizzare esclusivamente il tipo di batteria approvato (modello P2033-8S1P-PAA).
- Non utilizzare o conservare il prodotto in ambiente estremamente caldo o freddo (inferiore a 0°C /32° F o superiore a 40°C /104° F). Utilizzare l'adattatore di alimentazione originale per la ricarica a temperatura tra 0° C e 40° C.

Con la presente, Dreame Trading (Tianjin) Co., Ltd dichiara che questo apparecchio è conforme alle direttive applicabili e alle norme europee, nonché ai relativi emendamenti. Il testo completo della dichiarazione di conformità UE è disponibile al seguente indirizzo Internet: [www.dreame-technology.com](http://www.dreame-technology.com)

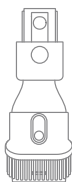
Il manuale elettronico dettagliato è disponibile all'indirizzo <https://www.dreame-technology.com/pages/user-manuals-and-faqs>

# Panoramica del prodotto

## Elenco accessori



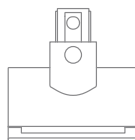
Adattatore flessibile inferiore



Ugello a spazzola 2-in-1



Spazzola morbida per spolverare



Mini spazzola elettrica



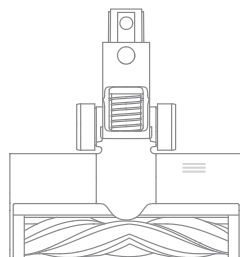
Tubo in fibra di carbonio



Tubo flessibile elasticizzato



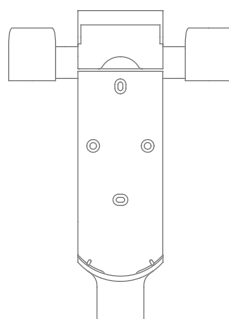
Caricabatterie



Barra multi-spazzola intelligente



LED Ugello per fessure



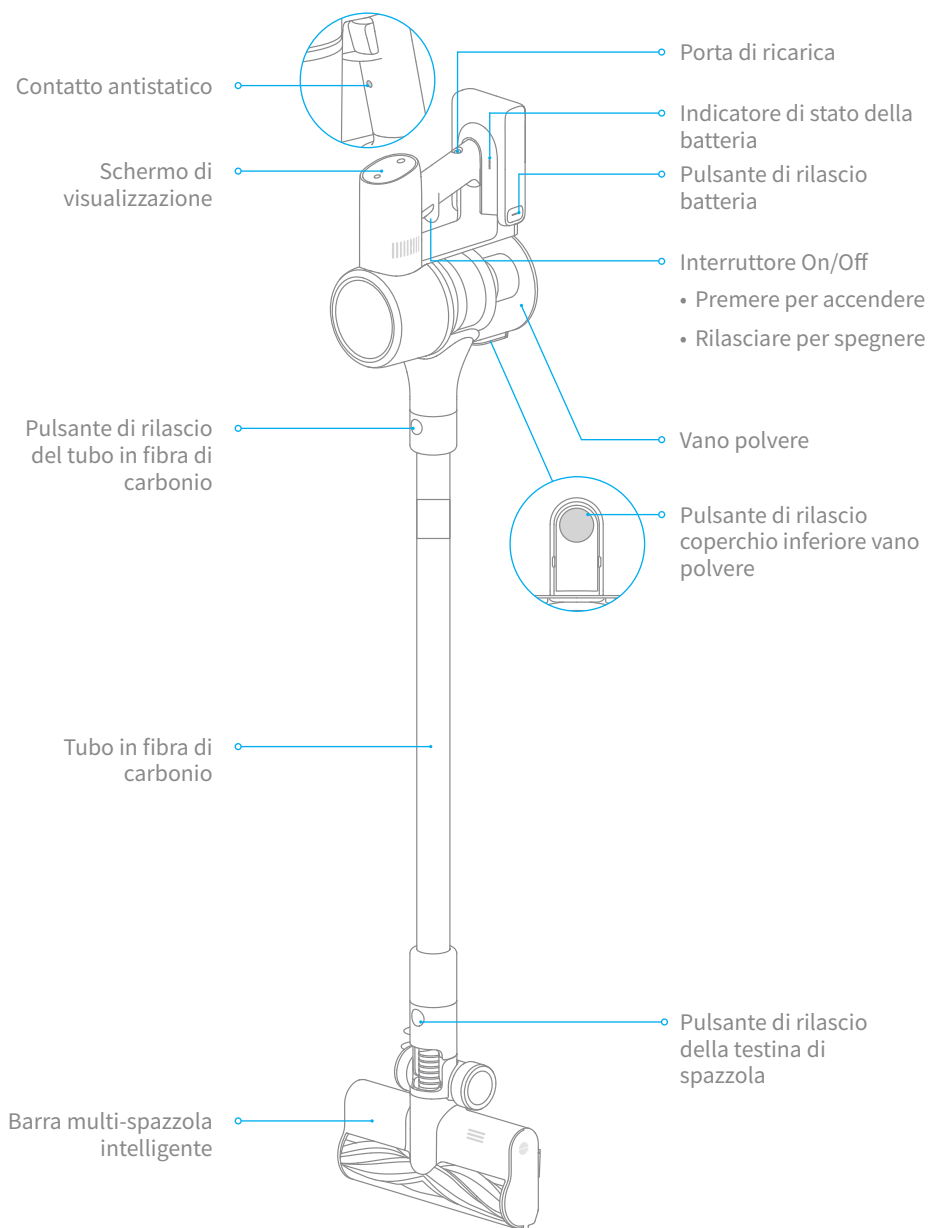
Supporto di ricarica e appoggio 2-in-1 (con 2 viti, 2 tasselli e adesivo del modello di montaggio)

Promemoria: La specifica è solo di riferimento, il reale aspetto si basa sull'oggetto.



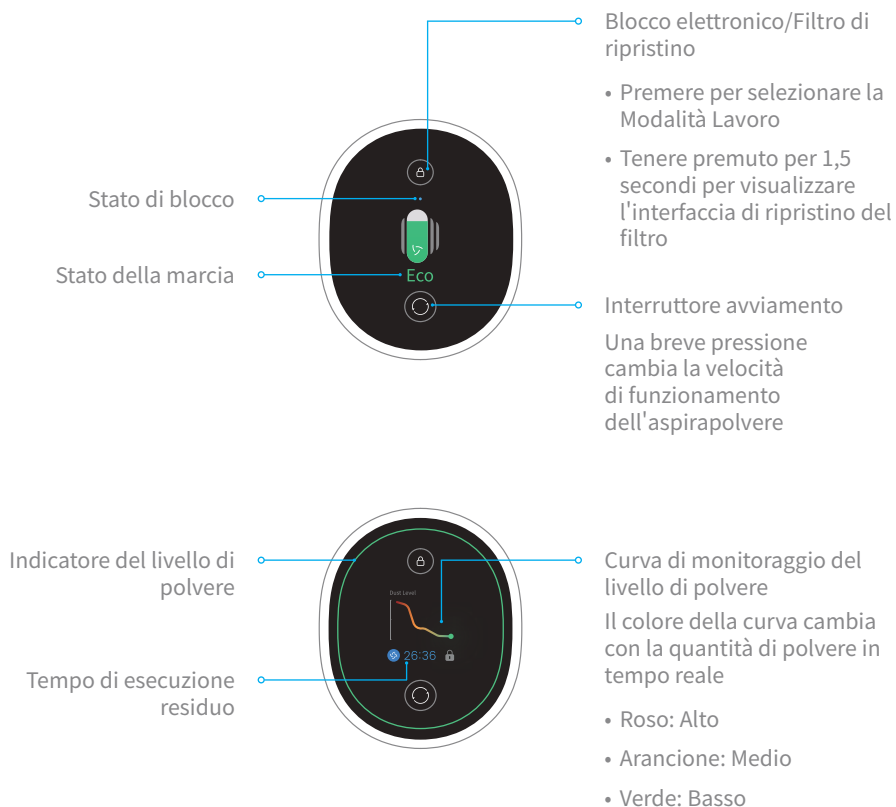
# Panoramica del prodotto

## Nome componente



# Panoramica del prodotto

## Introduzione alle funzioni dello schermo



### Nota:

- Il colore dell'indicatore del livello di polvere cambiano con la quantità di polvere aspirata.
- Il tempo di esecuzione residuo è solo di riferimento e potrebbe essere diverso dal tempo effettivo.

# Installazione

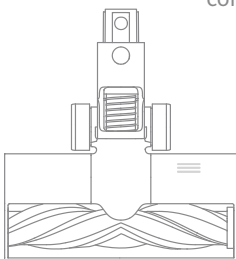
## Installazione degli accessori nell'aspirapolvere



Inserire fino a udire un clic che indica il posizionamento corretto



Inserire fino a udire un clic che indica il posizionamento corretto



# Installazione

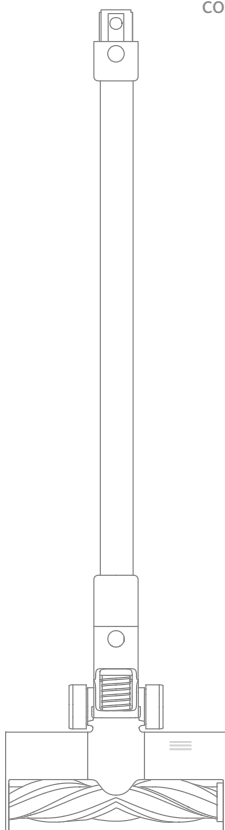
## Collegamento degli accessori



Inserire fino a udire un clic che indica il posizionamento corretto

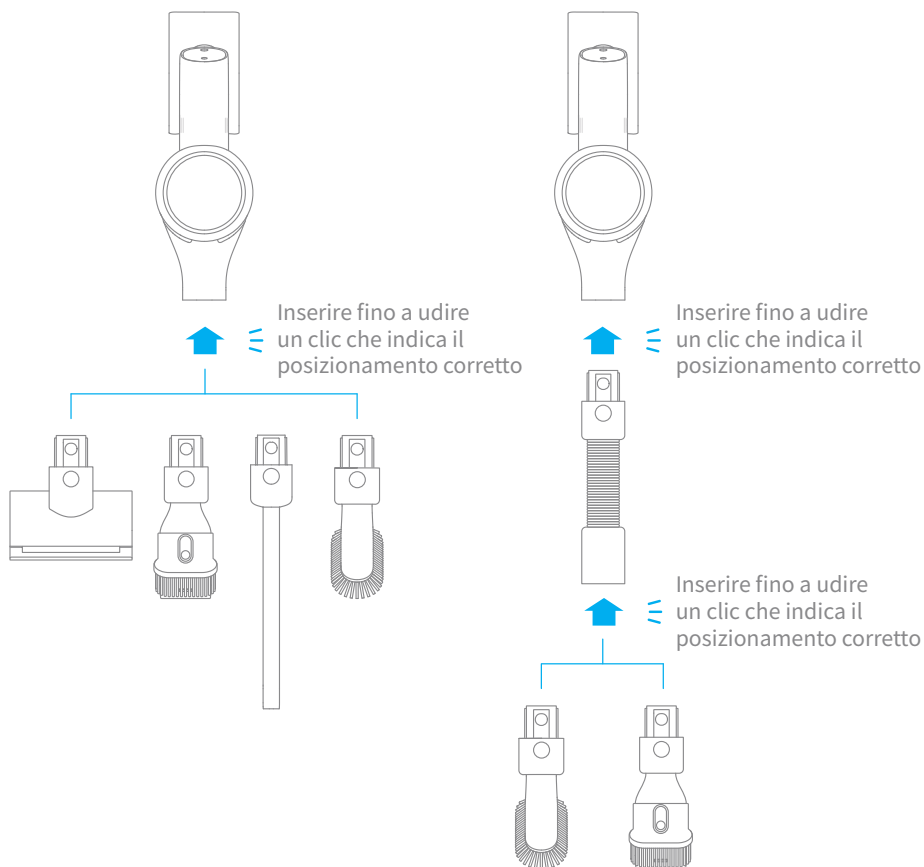


Inserire fino a udire un clic che indica il posizionamento corretto



# Installazione

## Collegamento degli accessori



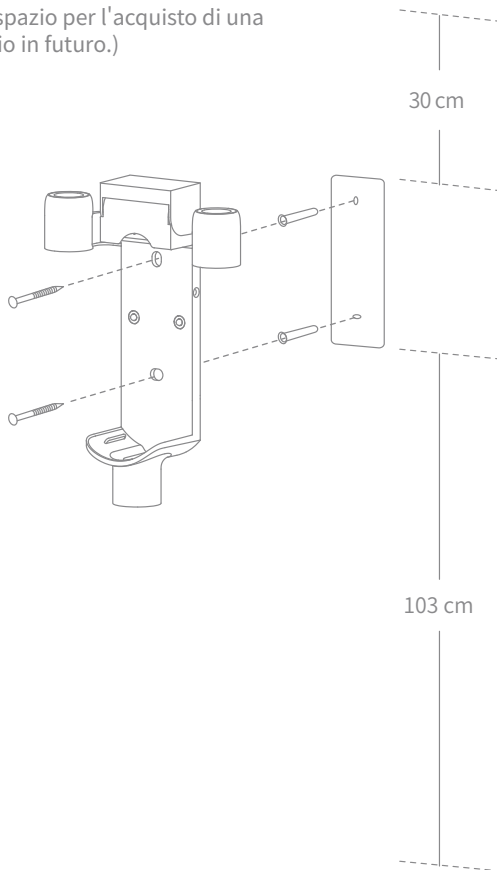
## Installazione del supporto di ricarica e appoggio 2-in-1

(Il supporto di ricarica e appoggio 2-in-1 è un accessorio opzionale, che può essere installato in base alle proprie esigenze.)

Nota: Il supporto di ricarica e appoggio 2-in-1 deve essere installato in un luogo fresco e asciutto con una presa elettrica nelle vicinanze. Prima di installarlo, assicurarsi che non siano presenti fili o tubi nello spazio di installazione direttamente dietro al supporto.

1. La parte inferiore dell'adesivo del modello di montaggio deve essere piana e distante almeno 1,03 m da terra, mentre la parte superiore deve avere almeno 30 cm di spazio libero sopra di essa.
2. Utilizzare un trapano elettrico con una punta da 8 mm per praticare un foro su ciascun marcatore di foro sull'adesivo del modello di montaggio, quindi inserire un tassello in ciascun foro.
3. Allineare i fori di montaggio sul supporto di ricarica e appoggio 2-in-1 ai fori sulla parete, quindi fissare il supporto alla parete utilizzando le viti in dotazione.

(\*30cm: Lascia lo spazio per l'acquisto di una batteria di ricambio in futuro.)



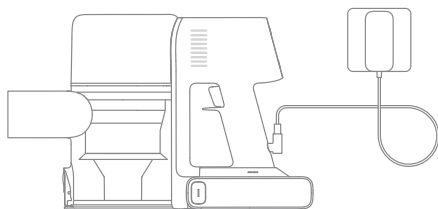
Caricare completamente l'aspirapolvere prima di utilizzarlo per la prima volta.

Nota:

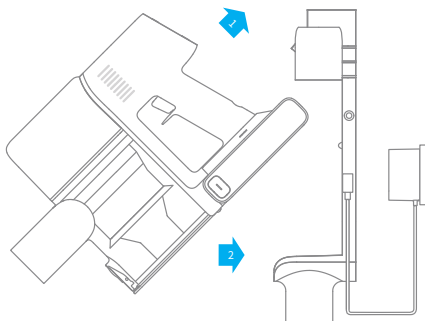
- L'operazione richiede circa 4 ore.
- L'aspirazione in modalità turbo per un periodo prolungato determina il riscaldamento della batteria, con conseguente aumento del tempo di ricarica. Lasciare raffreddare l'aspirapolvere per 30 minuti prima di ricaricarlo.

## Modalità di ricarica

Ricarica dell'aspirapolvere con il caricabatterie



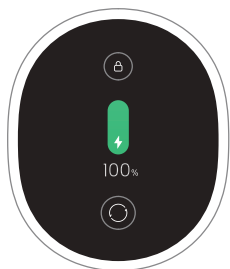
Ricarica dell'aspirapolvere sul supporto di ricarica



## Modalità di visualizzazione ricarica

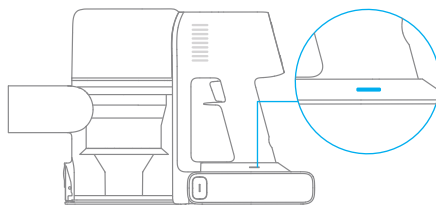
Schermo di visualizzazione

Il numero sullo schermo di visualizzazione indica il livello corrente della batteria in percentuale durante la ricarica. Quando il numero diventa 100, la batteria è completamente carica.








Indicatore di stato della batteria

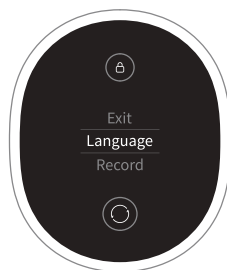
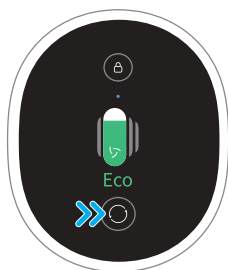
Durante la ricarica, l'indicatore lampeggia in bianco; quando la ricarica è completata, l'indicatore è in bianco fisso.






Nota: Quando l'aspirapolvere è completamente carico, l'indicatore si spegne dopo 5 minuti e viene attivata la modalità di risparmio energetico.

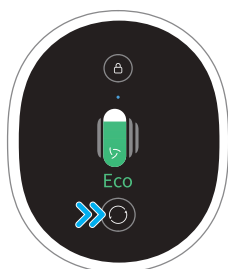
## Impostazione lingua

Tenere premuto il pulsante  per 3 secondi per accedere all'interfaccia del menu. Fare clic sul pulsante  per passare a « Language ». Premere il pulsante  per 1 secondo per accedere all'interfaccia della lingua. Premere brevemente il pulsante  per scorrere la lingua verso il basso, e tenere premuto il pulsante  per 3 secondi per completare l'impostazione.




## Record di pulizia

Tenere premuto il pulsante  per 3 secondi per accedere all'interfaccia del manuale. Fare clic sul pulsante  per passare a « Registro » e premere il pulsante  per 1 secondo per accedere all'interfaccia del record di pulizia e vedrai il registro delle pulizie degli ultimi 7 giorni.




Nota:

- Il display tornerà alla pagina principale se non si effettuano operazioni per più di 15 secondi.
- Per uscire dall'interfaccia del menu, fare clic sul pulsante  per selezionare "Uscire".



# Modalità d'utilizzo

## Interruttore avviamento

Premere il pulsante  per scegliere uno dei quattro livelli di aspirazione: Automatico, Eco, Med e Turbo. Il livello di aspirazione corrispondente viene evidenziato sullo schermo di visualizzazione.

Il colore dell'indicatore del livello di polvere cambiano con la quantità di polvere aspirata. Quando la barra multi-spazzola intelligente è collegata, l'aspirapolvere cambia automaticamente il livello di aspirazione tra il pavimento/piastrelle e il tappeto.

Nota: Se si arresta l'aspirapolvere in qualsiasi momento durante la pulizia, al riavvio continuerà a utilizzare l'ultimo livello di aspirazione selezionato.

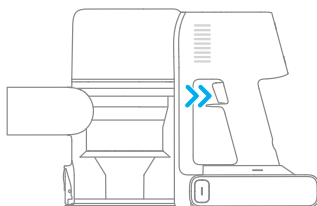
## Modalità Pulizia

Ci sono due modalità di lavoro per l'aspirapolvere, che possono essere selezionate a secondo delle proprie esigenze.

Quando l'aspirapolvere è in funzione, monitorerà la quantità di polvere aspirata entro 1 secondo. La quantità di polvere verrà visualizzata in tempo reale dal colore della curva di monitoraggio del livello di polvere sullo schermo.

### Modalità 1: Modalità Pulizia Discontinua

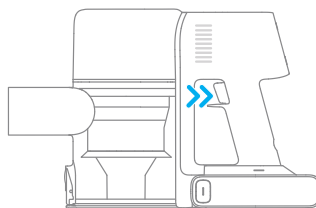
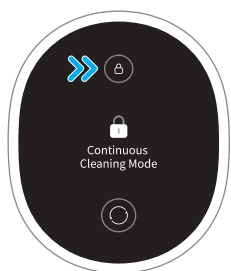
Tenere premuto il tasto dell'aspirapolvere per avviare il lavoro, e rilasciarlo per arrestarlo immediatamente.



### Modalità 2: Modalità Pulizia Continua (blocco elettronico)

In modalità standby, premere il tasto di blocco elettronico per passare alla modalità di pulizia continua, quindi premere brevemente l'interruttore per mettere l'aspirapolvere in Modalità Pulizia Continua.

Usare il blocco elettronico per non usare troppo le tue dita ed evitare un affaticamento causato tenendo premuto l'interruttore.



Nota:

- In questa modalità, premere brevemente il tasto per sospendere l'operazione o riavviarla nuovamente, e la modalità di lavoro dell'aspirapolvere non cambierà.
- Premere il blocco elettronico nuovamente per abbandonare la Modalità Pulizia Continua.

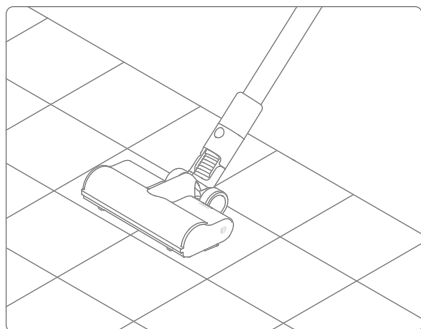
# Modalità d'utilizzo

## Uso degli accessori

### Barra multi-spazzola intelligente

Per pulire pavimenti come marmo, piastrelle e moquette a pelo corto. Quando è attiva la modalità automatica, l'aspirapolvere può regolare automaticamente il livello di aspirazione a seconda del tipo di superficie.

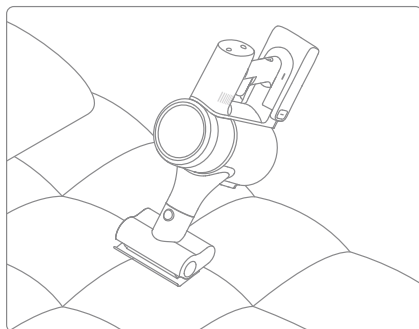
Nota: La barramulti-spazzola intelligente può essere collegata direttamente all'aspirapolvere.



### Mini spazzola elettrica

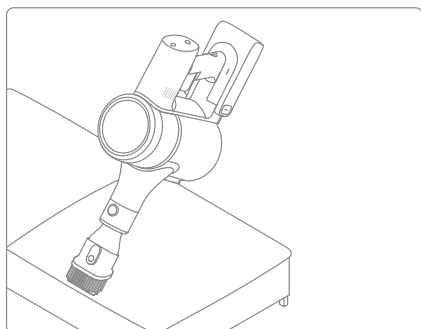
Per aspirare sporco, peli di animali domestici e altri residui ostinati da divani, biancheria da letto e altre superfici in tessuto.

Nota: Si raccomanda di non aspirare superfici facilmente impigliabili, come la seta.



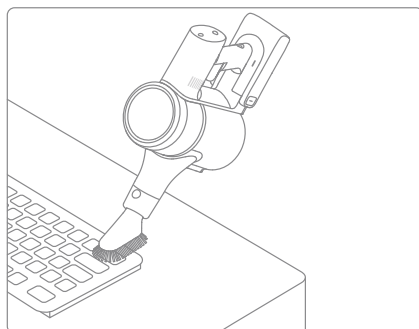
### Ugello a spazzola 2-in-1

Per aspirare tende, divani, interni di veicoli, tavolini da caffè e così via.



### Spazzola morbida per spolverare

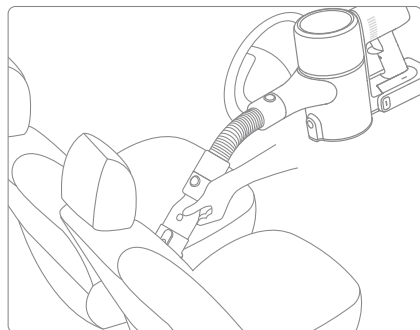
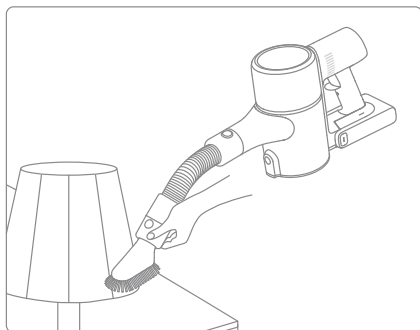
Adatto per aspirare su LCD, tastiere, paralumi, tende, tapparelle e altre superfici di oggetti fragili.



# Modalità d'utilizzo

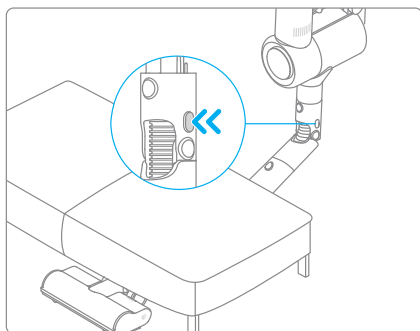
## Tubo flessibile elasticizzato

L'utilizzo della spazzola morbida o la spazzola 2-in-1 permette di aspirare gli angoli che non sono facilmente accessibili come cassetti, interni di automobili e nella parte inferiore del divano.



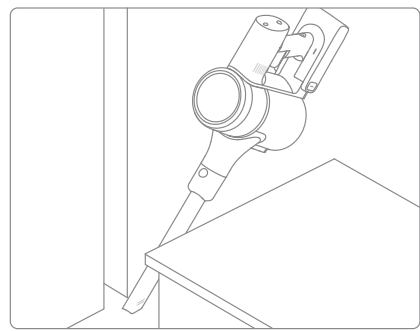
## Adattatore flessibile inferiore

Piegare e allungare l'asta con un clic può facilmente raggiungere i mobili bassi, come il letto e il divano.



## Bocchetta per fessure a LED

L'ugello è dotato di una sottile apertura di aspirazione e luce LED. Adatto per aspirare i detriti negli spazi ristretti.



## Nota:

- Se una delle parti rotanti si blocca, l'aspirapolvere potrebbe spegnersi automaticamente. Eliminare eventuali corpi estranei intrappolati, quindi riprendere l'uso.
- Quando la batteria si surriscalda, l'aspirapolvere si spegne automaticamente. Attendere che la temperatura della batteria torni alla normalità, quindi riprendere l'utilizzo.

# Cura e manutenzione

## Precauzioni di manutenzione

1. Utilizzare sempre parti originali per evitare che la garanzia decada.
2. Se il filtro o l'ugello si intasa, l'aspiratore smette di funzionare poco dopo l'accensione. Per ripristinare il normale funzionamento, pulire il filtro o l'ugello.
3. Se l'aspirapolvere non viene utilizzato per un lungo periodo, ricaricarlo completamente, scolgarlo dalla presa di corrente, quindi conservarlo in un ambiente fresco e a bassa umidità, lontano dalla luce diretta del sole. Per evitare di scaricare eccessivamente la batteria, ricaricare l'aspirapolvere almeno una volta ogni tre mesi.

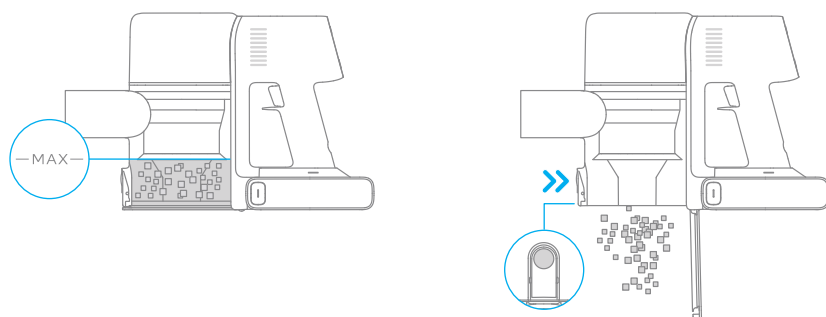
## Pulizia dell'aspirapolvere

Pulire l'aspirapolvere con un panno morbido e asciutto.

## Pulizia del vano polvere, del pre-filtro e del sistema ciclonico

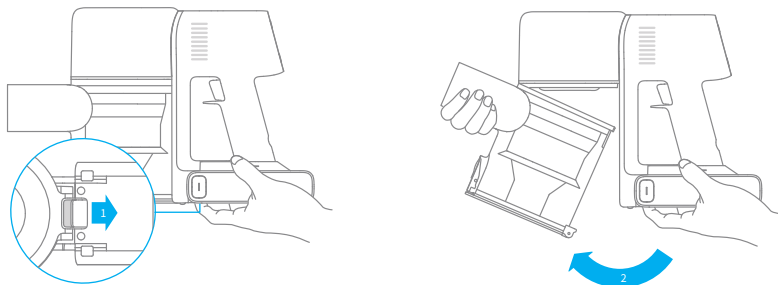
La capacità di pulizia dell'aspirapolvere si riduce se il vano polvere si riempie fino al segno "MAX". Per ripristinare le prestazioni, svuotare il vano polvere tempestivamente. Prima di svuotare il vano, assicurarsi che l'aspirapolvere sia disconnesso dalla presa di corrente e non premere il pulsante di accensione.

1. Premere il pulsante di rilascio del coperchio inferiore del vano polvere, quindi svuotare il contenuto.

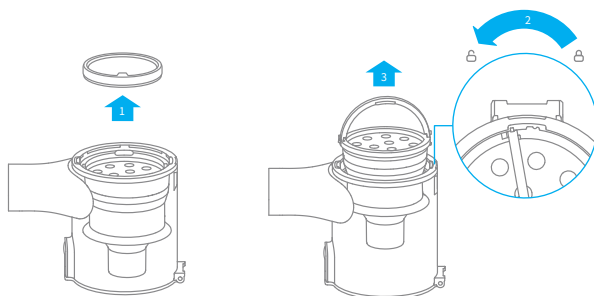


# Cura e manutenzione

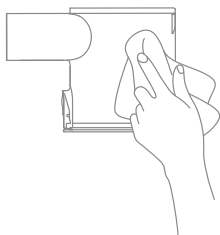
2. Spingere l'interruttore di rilascio del vano polvere nella direzione indicata dalla freccia, quindi rimuovere delicatamente il vano polvere dall'aspirapolvere.



3. Rimuovere prima il pre-filtro, quindi sollevare l'impugnatura del sistema ciclonico e ruotarla in senso antiorario fino all'arresto, quindi tirare per sollevare il sistema ciclonico.



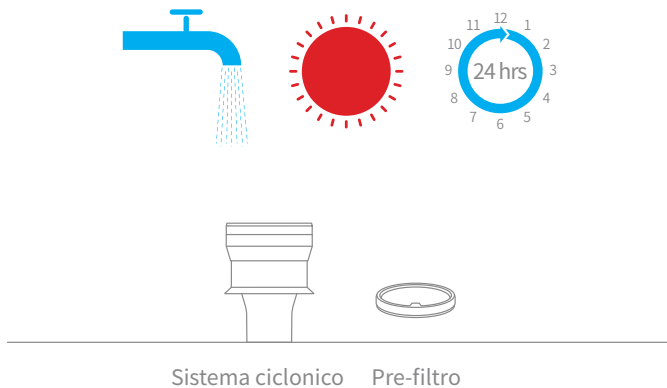
4. Pulire il raccogli-polvere con un panno morbido umido. Prestare attenzione a strizzare il panno prima dell'uso.



Per ridurre il rischio di scosse elettriche, non sciacquare il raccogli-polvere con acqua.

# Cura e manutenzione

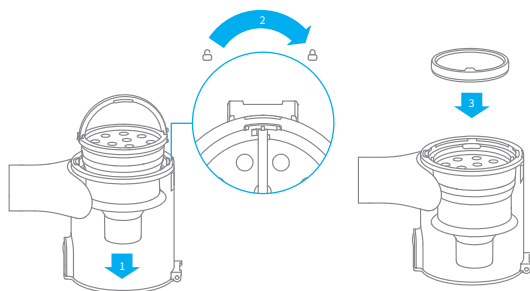
5. Sciacquare il prefiltro e i componenti del sistema a ciclone con acqua pulita finché non sono puliti. Dopo il lavaggio, asciugarli all'aria per almeno 24 ore.



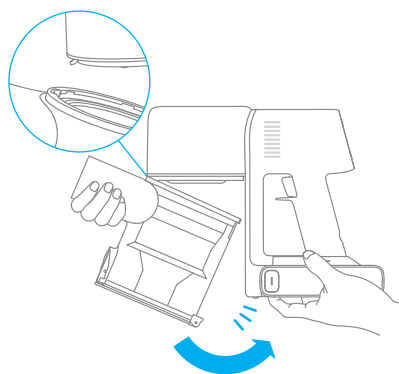
Nota: Si consiglia di pulire il prefiltro almeno una volta ogni 3 mesi e il sistema ciclonico almeno una volta ogni 6 mesi.

## Installazione del vano polvere, del pre-filtro e del sistema ciclonico

1. Inserire il sistema ciclonico verticalmente nel vano polvere assicurandosi che l'impugnatura del sistema ciclonico sia allineata alla fessura sul lato sinistro del vano polvere. Ruotare l'impugnatura in senso orario finché non si blocca, quindi tirarla verso il basso.
2. Posizionare il pre-filtro con il lato anteriore rivolto verso il sistema ciclonico.



3. Inclinare leggermente il vano polvere in modo che il relativo alloggiamento risulti allineato al fermo dell'aspirapolvere. Quindi premere delicatamente il vano polvere finché non scatta in posizione.



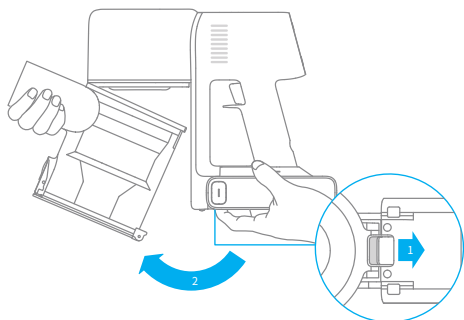


# Cura e manutenzione

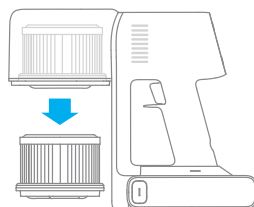
## Pulizia del filtro

Si consiglia di pulire il filtro una volta ogni 4-6 mesi.

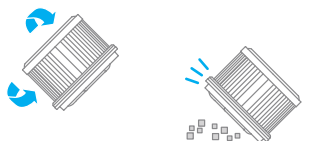
1. Rimuovere il vano polvere come mostrato nella figura.



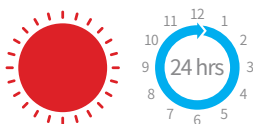
2. Rimuovere il filtro dall'aspirapolvere tirandolo verso il basso nella direzione mostrata nella figura.



3. Pulire il filtro con acqua pulita. Assicurarsi di ruotare il filtro di 360° per rimuovere accuratamente tutta la polvere intrappolata nel filtro. Picchiettare leggermente il filtro più volte per rimuovere lo sporco in eccesso.



4. Lasciare asciugare completamente il filtro per almeno 24 ore.

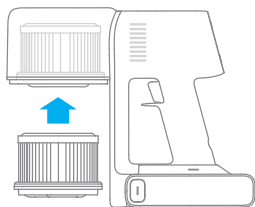


Nota:

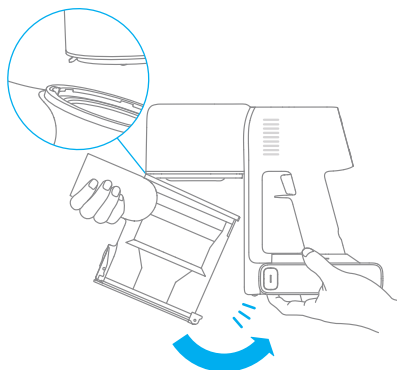
- Per pulire il filtro, utilizzare esclusivamente acqua pulita. Non utilizzare detersivi.
- Non tentare di pulire il filtro con una spazzola o con le dita.

## Installazione del filtro

1. Inserire il filtro nell'aspirapolvere, quindi premere delicatamente verso il basso, come illustrato.



2. Reinstallare il vano polvere.

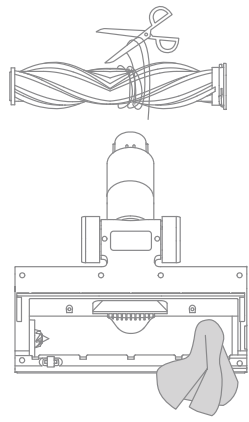
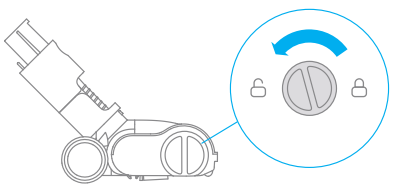


# Cura e manutenzione

## Pulizia della barra multi-spazzola intelligente

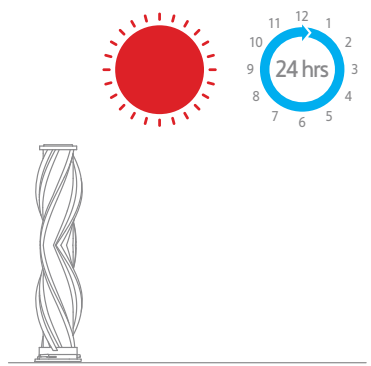
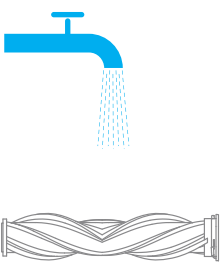
1. Ruotare il blocco in senso antiorario fino all'arresto, quindi rimuovere la spazzola a rullo dalla barra multi-spazzola intelligente.

2. Utilizzare delle forbici per tagliare ed estrarre capelli o altri detriti aggrovigliati intorno alla spazzola a rullo. Rimuovere la polvere in eccesso dall'alloggiamento e dal coperchio in plastica trasparente con un panno asciutto o un tovagliolo di carta.



3. Quando è sporco, sciacquare la testina con acqua pulita fino a quando non è pulita.

4. Dopo il lavaggio, lasciare asciugare completamente la spazzola a rullo mantenendola in posizione verticale in un'area ben ventilata per almeno 24 ore.

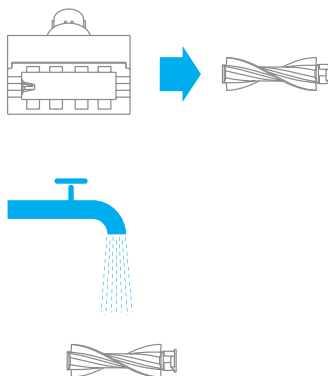


## Pulizia della mini spazzola elettrica

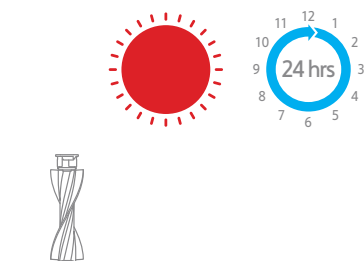
1. Usare una moneta per ruotare il blocco in senso antiorario finché non si sente un clic.



2. Dopo aver sbloccato la spazzola a rullo, rimuoverla dalla mini spazzola elettrica, quindi sciacquare e pulire la spazzola a rullo.



3. Dopo il lavaggio, lasciare asciugare completamente la spazzola a rullo mantenendola in posizione verticale in un'area ben ventilata per almeno 24 ore.



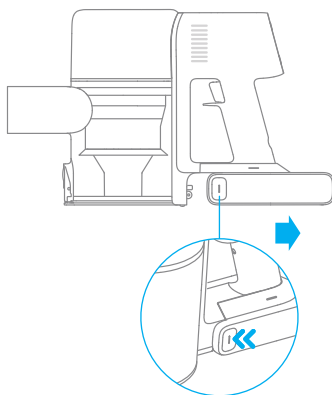
4. Quando è asciutta, reinstallare la spazzola a rullo seguendo a ritroso le istruzioni fornite per lo smontaggio.



## Batteria

L'aspirapolvere contiene una batteria ricaricabile agli ioni di litio rimovibile che dispone di un numero limitato di cicli di ricarica. Dopo un uso prolungato, la batteria potrebbe non mantenere più la carica. Se ciò si verifica, la batteria ha raggiunto la fine del ciclo di vita e deve essere sostituita.

1. Premere il pulsante di rilascio della batteria e farla scorrere verso destra per rimuoverla.
2. Installare la nuova batteria.



# Specifiche tecniche

Aspirapolvere			
Modello	VTT1	Tensione di ricarica	34 V ===
Potenza nominale	550 W	Tensione nominale	29,6 V ===
Tempo di ricarica	Circa 4 ore	Capacit� de la batterie	2900 mAh (Capacit� nominale)
Barra multi-spazzola intelligente			
Modello	ASF5		
Potenza nominale	40 W	Tensione nominale	29,6 V ===
Mini spazzola elettrica			
Modello	VPA3		
Potenza nominale	20 W	Tensione nominale	29,6 V ===
Caricabatterie			
Modello	ZD024M340090EU/ ZD024M340090AU	Efficienza attiva media	87,01 %
Potenza in ingresso	100 - 240 V ~ 50-60 Hz, 0,8 A max	Efficienza a basso carico (10%)	77,01 %
Potenza in uscita	34 V === 0,9 A	Consumo di energia a vuoto	0,1 W
Batteria agli ioni di litio ricaricabile			
Modello batteria	P2033-8S1P-PAA	Capacit� de la batterie	2900 mAh (Capacit� nominale)
Tensione nominale	29,6 V ===	Energia	81,4 Wh

La batteria agli ioni di litio contiene sostanze pericolose per l'ambiente. Prima di gettare via l'aspirapolvere, rimuovere la batteria, quindi smaltirlo o riciclarlo in conformit  alle leggi e alle normative locali del Paese o dell'area in cui viene utilizzato.

# Domande Frequenti

Se l'aspirapolvere non funziona correttamente, fare riferimento alla tabella di risoluzione dei problemi riportata di seguito.

Errore	Possibile causa	Soluzione
L'aspirapolvere non funziona.	La batteria è completamente o quasi scarica.	Caricare completamente l'aspirapolvere, quindi riprendere l'uso.
	Entra in modalità di protezione da surriscaldamento attivata da un'ostruzione.	Attendere che l'aspirapolvere si raffreddi, quindi riattivarlo.
	La bocchetta di aspirazione o il passaggio dell'aria è ostruito.	Rimuovere le ostruzioni dalla bocchetta di aspirazione o dal passaggio dell'aria.
La potenza di aspirazione è diminuita.	Il vano polvere è pieno e/o il filtro è intasato.	Svuotare lo scomparto raccogli polvere e pulire il filtro .
	L'accessorio è ostruito.	Eliminare eventuali ostruzioni nell'accessorio.
Il motore emette un rumore strano.	L'apertura di aspirazione principale o l'asta in fibra di carbonio è bloccata.	Eliminare eventuali blocchi nell'apertura di aspirazione principale o nell'asta in fibra di carbonio.
La spia della batteria non si accende durante la ricarica.	Il caricabatterie non è collegato all'aspirapolvere.	Assicurarsi che il caricabatterie sia collegato correttamente.
	La batteria è completamente carica e si è avviata la modalità di risparmio energia.	È possibile utilizzare l'aspirapolvere normalmente.
	Se il problema persiste anche dopo aver escluso le due ipotesi indicate in precedenza.	Contattare il servizio post-vendita per ottenere assistenza.
La batteria si ricarica lentamente.	La temperatura della batteria è troppo bassa o troppo alta.	Attendere che la temperatura della batteria torni alla normalità, quindi riprendere l'utilizzo.

# Suggerimento Guasto

In presenza di una situazione anormale durante l'uso del dispositivo, lo schermo visualizzerà un messaggio rapido. Si devono seguire le indicazioni sullo schermo per mantenere le funzionalità invariate.

Icona errore	Messaggio di errore	Soluzioni
	Surriscaldamento della batteria	Prima di riprendere l'utilizzo, attendere che la temperatura della batteria torni alla normalità.
	La spazzola a rullo è bloccata	Per istruzioni su come rimuovere capelli e altri detriti impigliati nella barra multi-spazzola intelligente, consultare "Pulizia della barra della spazzola a coppia elevata" nella sezione Cura e manutenzione.
	Condotto dell'aria bloccato	Controllare se il raccogli-polvere, il tubo in fibra di carbonio e la barra multi-spazzola intelligente siano bloccati.
	Errore	Contattare il servizio di assistenza post-vendita per la manutenzione.
	Batteria Scarica	Ricaricarla tempestivamente.
	La batteria è scarica	Ricaricarla tempestivamente.
	Il filtro sta scadendo	Si prega di sostituire il filtro in tempo.
	Filtro disinstallato	Asegúrese de que el filtro y el prefiltro están bien instalados.
	Sostituire il filtro	Si prega di sostituire il filtro in tempo. Dopo aver sostituito il filtro, tenere premuto il pulsante  per 1,5 secondi per entrare nel conto alla rovescia per reimpostare il filtro, poi tenere premuto il pulsante per altri 5 secondi finché  non appare sullo schermo. 



## Informazioni RAEE



Tutti i prodotti contrassegnati da questo simbolo sono rifiuti di apparecchiature elettriche ed elettroniche (RAEE in base alla direttiva 2012/19/UE) che non devono essere smaltiti assieme a rifiuti domestici non differenziati. Al contrario, è necessario proteggere l'ambiente e la salute umana consegnando i rifiuti a un punto di raccolta autorizzato al riciclaggio di rifiuti di apparecchiature elettriche ed elettroniche, predisposto dalla pubblica amministrazione o dalle autorità locali. Lo smaltimento e il riciclaggio corretti aiutano a prevenire conseguenze potenzialmente negative all'ambiente e alla salute umana. Contattare l'installatore o le autorità locali per ulteriori informazioni sulla sede e per i termini e le condizioni di tali punti di raccolta.

# Instrucciones de seguridad importantes ES

Antes de utilizar este electrodoméstico, lea todas las instrucciones y etiquetas de advertencia incluidas en este manual y en la Máquina, para evitar descargas eléctricas, incendios y otras lesiones accidentales causadas por el uso incorrecto.

## Advertencia

- Este aparato no puede ser utilizado por personas con limitaciones físicas, sensoriales o mentales, o sin experiencia y conocimiento (niños incluidos), a menos que sean supervisados y reciban instrucciones sobre el uso seguro de la máquina por parte de un adulto responsable de su seguridad y entiendan los riesgos que implicados.
- No permita que la máquina se utilice como un juguete, se debe vigilar a los niños para asegurarse de que no juegan con la máquina. Preste mucha atención si es utilizada cerca o por niños o se utiliza cerca de ellos. Se prohíbe que los niños realicen la limpieza y el mantenimiento de la máquina sin supervisión.
- Esta máquina está diseñada para uso doméstico exclusivamente. No la utilice en el exterior ni sobre superficies mojadas. No manipule ningún componente ni el enchufe con las manos mojadas.
- Revise la batería de litio y el cargador antes de usarlos. Para evitar incendios, explosiones o lesiones, no use la aspiradora cuando la batería de litio o el cargador estén dañados.
- El barra de cepillo múltiple inteligente, la batería, la varilla de fibra de carbono y la unidad principal de la aspiradora son partes energizadas. No lo sumerja en agua ni lo ponga en otros líquidos. Después de la limpieza diaria, asegúrese de que todos los filtros estén completamente secos.
- Evite lesiones causadas por piezas móviles. Apague la aspiradora antes de limpiar la barra de cepillo múltiple inteligente. La barra de cepillo múltiple inteligente, el depósito de polvo y el filtro deben estar instalados correctamente antes de usar la aspiradora.
- Use solo el cargador original, no use un adaptador no oficial, ya que otro tipo de cargador puede provocar que la batería de litio se incendie.
- No utilice la aspiradora para recoger agua, ni para aspirar gasolina u otros líquidos inflamables o explosivos. No recoja líquido tóxico como cloro, amoníaco, limpiadores de alcantarillas u otros líquidos.
- Está prohibido usar esta aspiradora para limpiar polvo sobre paneles de yeso, cenizas de chimenea y ceniza, no aspire nada que esté en llamas o desprenda humo como, por ejemplo, carbón, cigarrillos, cerillas o cenizas incandescentes. Está prohibido usar la aspiradora para limpiar objetos afilados como vidrio, clavos, tornillos, monedas, de lo contrario, dañará la aspiradora.
- No utilice el aspirador para recoger objetos afilados o duros, como vidrio, clavos, tornillos o monedas, que puedan dañar la máquina.
- Evite que el pelo, la ropa, los dedos o cualquier otra parte del cuerpo entre en contacto con las aberturas o las piezas móviles. No apunte con la manguera, la empuñadura o los accesorios a los ojos u orejas, ni se los meta en la boca.

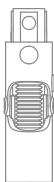
- No introduzca ningún objeto en las aberturas de la máquina. No utilice la máquina si alguna abertura está bloqueada; manténgalo limpio de polvo, pelusa, pelo o cualquier otra sustancia que pueda reducir el flujo de aire.
- No coloque la aspiradora sobre la silla, la mesa del comedor y otras superficies inestables para evitar daños a la aspiradora o daños al usuario. No utilice la máquina si no funciona correctamente, ha recibido un golpe, se ha caído o ha sufrido daños. Póngase en contacto con el servicio de Atención al Cliente de Dreame, no desmonte la máquina.
- Cargue la batería siguiendo estrictamente las instrucciones del manual. Si no se carga adecuadamente dentro del rango de temperatura especificado, la batería puede dañarse.
- Desconecte el cargador cuando no se utilice durante períodos prolongados y antes de realizar labores de mantenimiento.
- Preste atención mientras limpia en escaleras.
- No instale, cargue ni use este aparato en el exterior, en el baño o alrededor de la piscina.
- Alerta de incendio, no aplique ninguna fragancia o producto perfumado al filtro de este aparato. Las sustancias químicas en este tipo de productos son conocidas por ser inflamables y pueden causar que el aparato se incendie.
- Lea y guarde estas instrucciones.
- Utilice únicamente el cargador original (modelo ZD024M340090EU/ZD024M340090AU). No hacerlo, podría provocar que la batería de ion de litio se incendie.
- Utilice únicamente el tipo de batería aprobado (modelo P2033-8S1P-PAA). No hacerlo, podría provocar que la batería de ion de litio se incendie.
- No lo use ni almacene en ambientes extremadamente calientes o fríos (por debajo de 0°C /32° F o por encima de 40°C /104° F). Utilice el adaptador de alimentación original para cargar el robot a una temperatura de 0° C a 40° C.

Nosotros, Dreame Trading (Tianjin) Co., Ltd, por la presente, declaramos que el equipo cumple con las Directivas y Normas Europeas aplicables y las enmiendas. Encontrará el texto completo de la declaración de conformidad de la UE en esta dirección de Internet: [www.dreame-technology.com](http://www.dreame-technology.com)

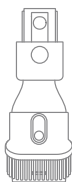
Para un manual electrónico detallado, vaya a <https://www.dreame-technology.com/pages/user-manuals-and-faqs>

# Descripción del producto

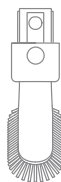
## Lista de accesorios



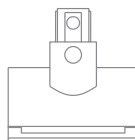
Adaptador flexible



Boquilla combinada (2 en 1)



Cepillo de limpieza blando



Minicepillo eléctrico



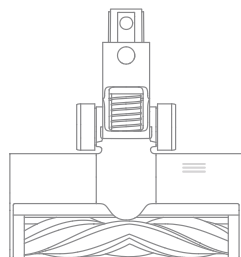
Varilla de fibra de carbono



Manguera



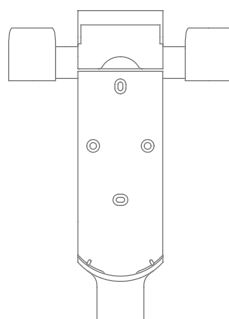
Cargador



Barra-cepillo multifunción inteligente



Boquilla para ranuras

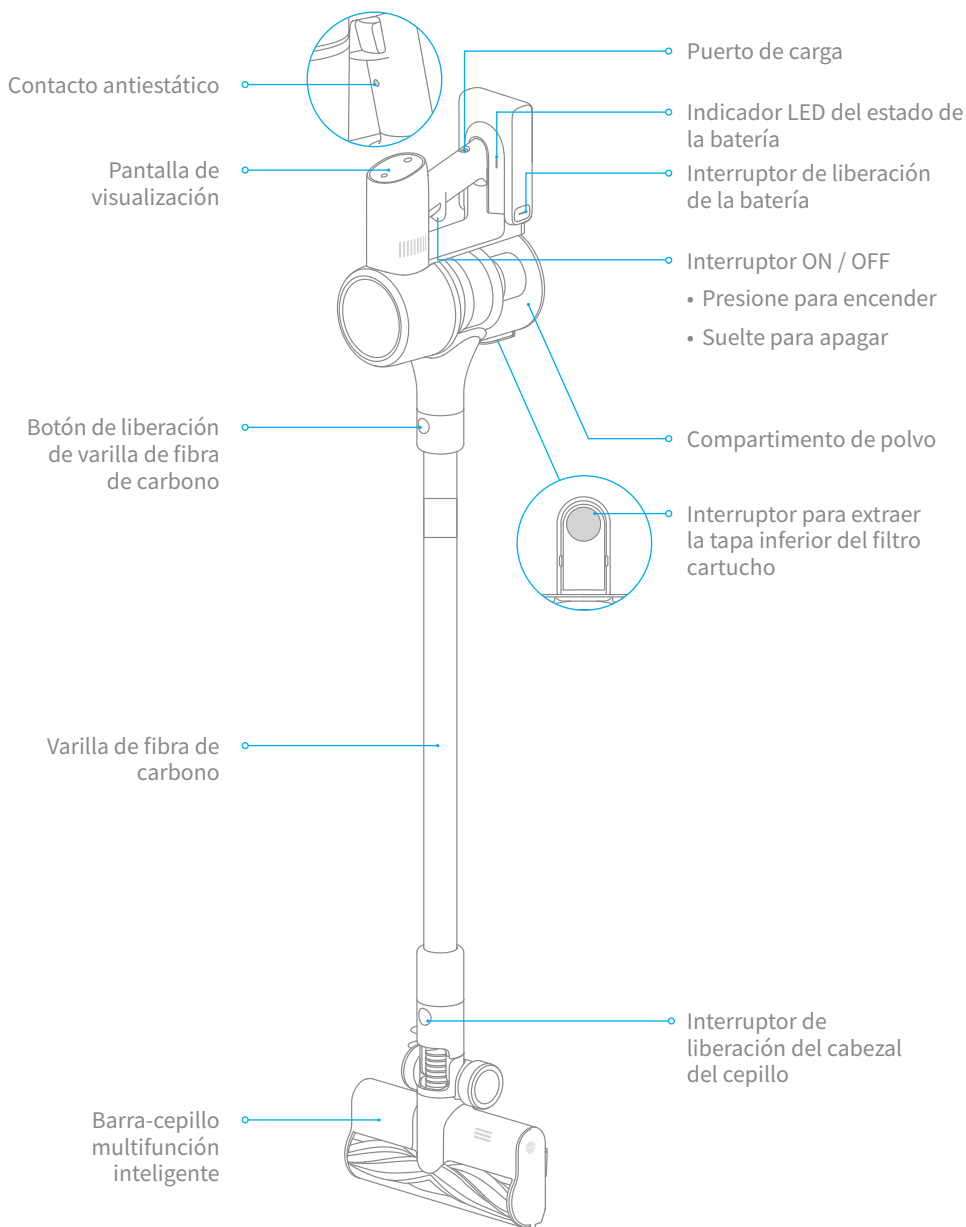


Soporte de carga y almacenamiento 2 en 1 (incluye 2 tornillos, 2 tacos y una plantilla de montaje adhesiva)

Nota: La imagen es solo de referencia, el objeto real no necesariamente se relaciona con la imagen.

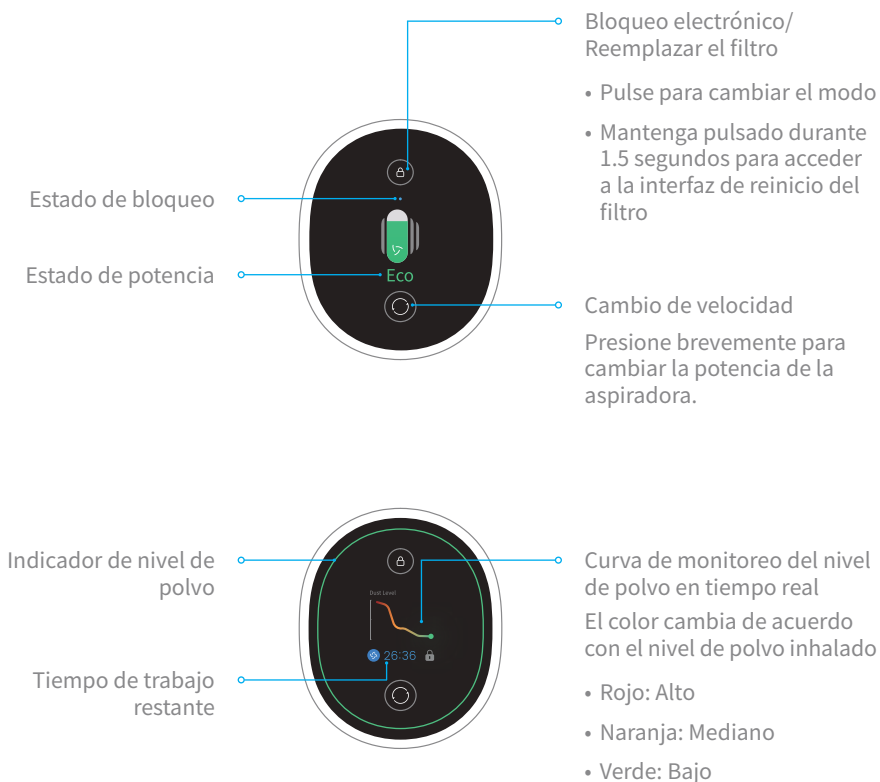
# Descripción del producto

## Nombre del componente



# Descripción del producto

## Indicaciones de las funciones de pantalla



### Nota:

- El color del indicador de nivel de polvo cambian de acuerdo con la cantidad de polvo inhalado.
- El tiempo restante es solo para su referencia y puede ser diferente al tiempo real.

# Montaje

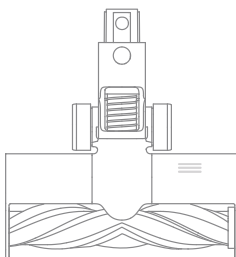
Instalar los accesorios  
en la aspiradora



Insértelo hasta que encaje  
en su sitio.



Insértelo hasta que encaje  
en su sitio.



# Montaje

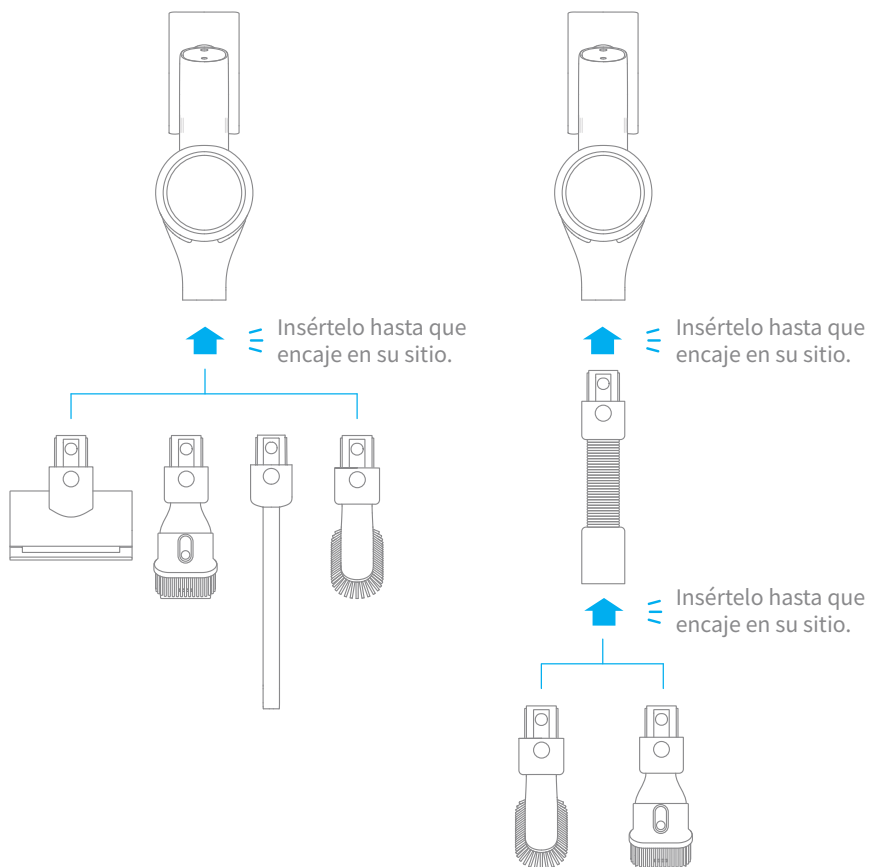
Diagrama para el montaje de accesorios





# Montaje

## Diagrama para el montaje de accesorios

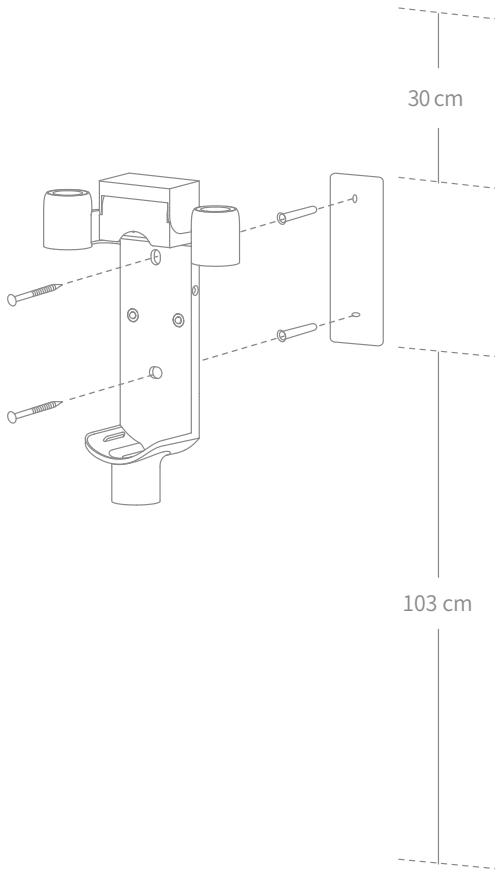


## Montar el soporte de carga y almacenamiento (2 en 1)

(El soporte de carga y almacenamiento (2 en 1) es un accesorio opcional, puede montarlo según sus necesidades.)

Nota: El soporte de carga y almacenamiento (2 en 1) debe ser instalado en un lugar fresco y seco, con un enchufe cercano. Antes de instalarlo, asegúrese de que no haya ningún otro objeto donde se montaría el soporte.

1. La parte inferior de la pegatina de la plantilla de montaje debe estar nivelada y, al menos, a 1,03 m del suelo. La parte superior debe tener al menos un espacio de 30 cm sobre ella (\*30cm: deje espacio para baterías de reemplazo en el futuro).
2. Utilice un taladro eléctrico con una broca de 8 mm para hacer un orificio en cada marcador de la pegatina de la plantilla de montaje y, a continuación, inserte un taco en cada orificio.
3. Alinee los orificios de montaje del soporte de carga y almacenamiento 2 en 1 con los orificios de la pared y, a continuación, fije el soporte a la pared con los tornillos incluidos.



# Carga

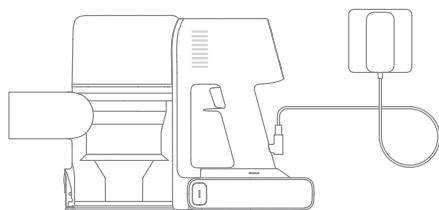
Cargue completamente la aspiradora antes de usarla por primera vez.

Nota:

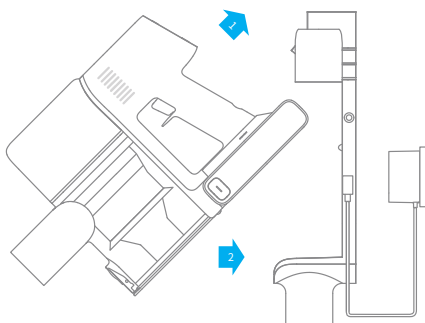
- Esto puede tardar unas 4 horas.
- Si se aspira en modo turbo durante un período prolongado, la batería se calentará. Se recomienda dejar que el aspirador se enfríe durante 30 minutos antes de cargarlo de nuevo.

## Modos de carga

Cargar la aspiradora con el cargador



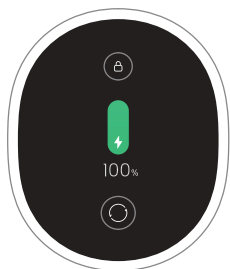
Cargar la aspiradora en el soporte de carga



## Visualización de modos de potencia

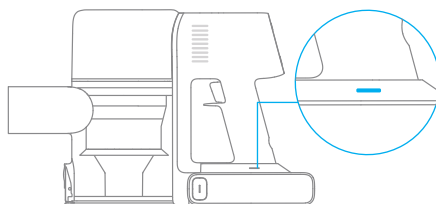
Pantalla de visualización

El número de la pantalla representa el nivel de batería actual en porcentaje durante la carga. Cuando llegue a 100, la batería estará totalmente cargada.



Indicador LED del estado de la batería

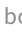




Durante la carga, los indicadores brillan en luz blanca. Cuando se completa la carga, se mantienen en luz blanca.

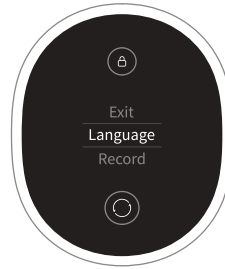
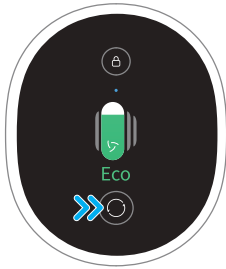


Nota:

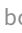


Una vez que el aspirador esté completamente cargado, el indicador se apagará 5 minutos más tarde y el aspirador entrará en el modo de ahorro de energía.

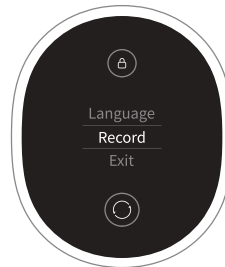
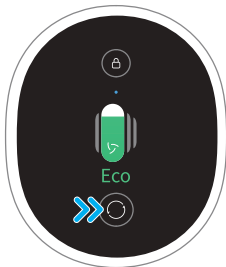
## Ajuste de idioma

Mantenga presionado el botón  durante 3 segundos para ingresar a la interfaz del menú. Apresione el botón  para cambiar a "Language". Presione el botón  durante 1 segundo para ingresar a la interfaz de idioma. Presione el botón  brevemente para desplazarse hacia abajo por los idiomas, luego mantenga presionado el botón  durante 3 segundos para confirmar el idioma actual.




## Historial de limpieza

Mantenga presionado el botón  durante 3 segundos para ingresar a la interfaz del menú. Apresione el botón  para cambiar a "Registro" y mantenga presionado el botón  durante 1 segundo para ingresar a la interfaz de historial de limpieza donde verá el historial de limpieza de los últimos 7 días.



Nota:

- La pantalla de visualización cambiará a la página principal si no realiza ninguna operación durante más de 15 segundos.
- Para salir de la interfaz del menú, apresione en el botón  para seleccionar "Salir".

# Modo de Uso

## Cambio de velocidad

Pulse el interruptor  para cambiar entre los cuatro niveles de succión: Automático, Eco, Med y Turbo. El nivel de succión correspondiente aparecerá señalado en la pantalla.

El color del indicador de nivel de polvo cambian de acuerdo con la cantidad de polvo inhalado. Cuando se coloca el cepillo todo-terreno inteligente, la aspiradora cambiará automáticamente la potencia de succión para adaptarse al piso/baldosa y la alfombra.

Nota: Si detiene la aspiradora en algún momento mientras limpia, al volver a iniciarla, seguirá utilizando el último nivel de succión seleccionado.

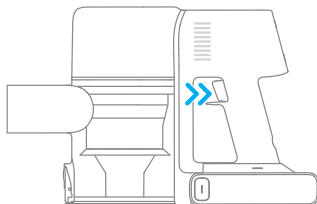
## Modo de limpieza

El aspirador incluye dos modos de trabajo que se pueden seleccionar según sus necesidades de limpieza.

Cuando la aspiradora está trabajando, se calculará la cantidad de polvo inhalado en 1 segundo. La cantidad de polvo se mostrará en la pantalla por el color de la curva de monitoreo del nivel de polvo en tiempo real.

### Modo 1: Modo de limpieza discontinua

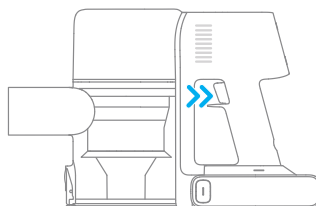
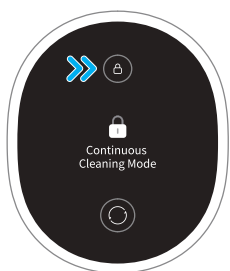
Cuando la aspiradora está trabajando, se calculará la cantidad de polvo inhalado en 1 segundo. La cantidad de polvo se mostrará en la pantalla por el color de la curva de monitoreo del nivel de polvo en tiempo real.



### Modo 2: Modo de limpieza continua (bloqueo electrónico)

En el modo de reposo, pulse la tecla de bloqueo electrónico para cambiar al modo de limpieza continua y luego pulse brevemente el interruptor para que la aspiradora entre en el modo de limpieza continua.

Use la función de bloqueo electrónico para liberar sus dedos y evitar el cansancio causado por mantener pulsado el interruptor.



Nota:

- En este modo, puede pausar o comenzar de nuevo pulsando brevemente el interruptor. El modo de trabajo de la aspiradora no cambiará.
- Vuelva a pulsar el bloqueo electrónico para salir del modo de limpieza continua.

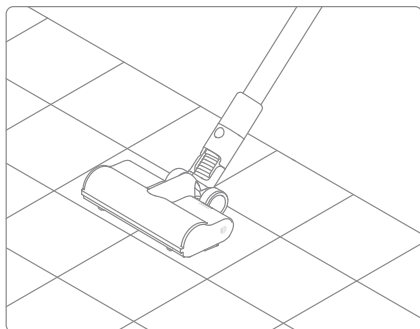
# Modo de uso

## Uso de los diferentes accesorios

### Barra-cepillo multifunción inteligente

Para limpiar distintos suelos, como mármol, baldosas y alfombras. Cuando el modo Automático esté activado, la aspiradora podrá ajustar automáticamente el nivel de succión en función del tipo de superficie.

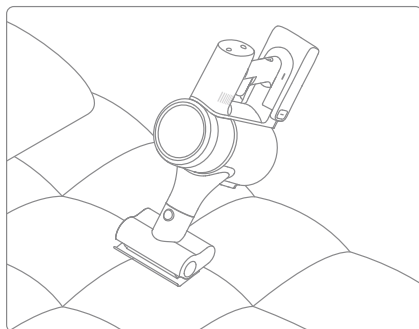
Nota: La barra-cepillo multifunción inteligente se puede acoplar directamente a la aspiradora.



### Minicepillo eléctrico

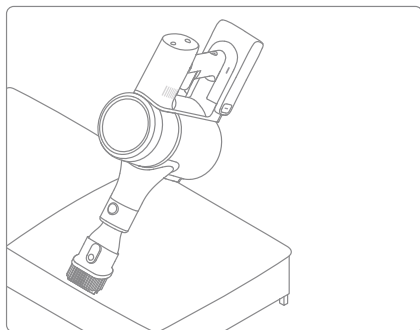
Para aspirar la suciedad, los pelos de mascota y otros restos resistentes de los sofás, la ropa de cama y otras superficies de tela.

Nota: No se recomienda pasar la aspiradora por superficies que puedan engancharse, como la seda.



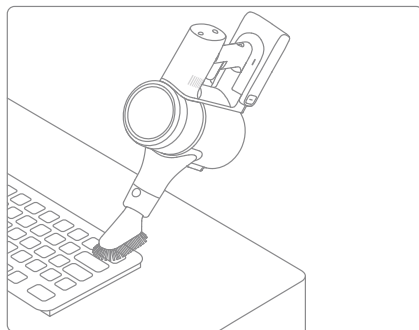
### Boquilla combinada (2 en 1)

Para aspirar cortinas, sofás, teclados, techos, interiores de vehículos, mesas de café, etc.



### Cepillo de limpieza blando

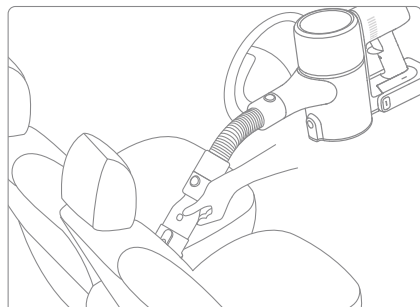
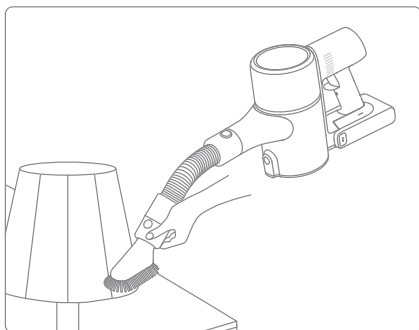
Es apta para limpiar pantallas LCD, teclados, pantallas de lámparas, cortinas, persianas y otras superficies de objetos frágiles.



# Modo de uso

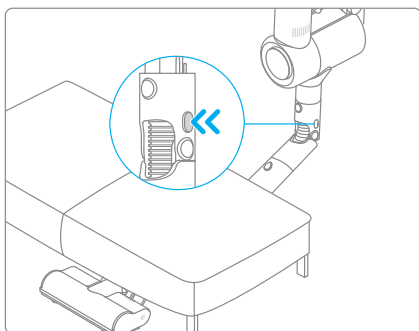
## Manguera

Cuando se usa con un cepillo de limpieza blando o un cepillo 2 en 1, es apta para limpiar las esquinas que no son de fácil acceso, como los cajones, el interior de los automóviles y la parte inferior del sofá.



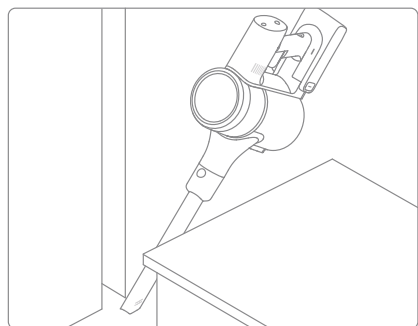
## Adaptador flexible

Doble la varilla con un clic para alcanzar fácilmente a debajo de muebles como cama y sofá.



## Boquilla con luz LED para grietas

La boquilla cuenta con una fina abertura de succión y luz LED, apta para entrar en grietas e iluminar y limpiar lugares estrechos y desordenados



## Nota:

- Si alguna pieza giratoria se queda atascada, la aspiradora podría apagarse de forma automática. Extraiga los objetos extraños que se hayan quedado atascados y reanude el uso.
- Si el batería funciona a temperaturas demasiado elevadas, la aspiradora se apagará automáticamente. Espere a que la temperatura de la batería vuelva a ser normal y, a continuación, reanude el uso.



# Cuidado y mantenimiento

## Advertencia:

1. Utilice siempre piezas originales para evitar que se anule la garantía.
2. Si el filtro o la boquilla se obstruye, el aspirador dejará de funcionar poco después de encenderse. Para restaurar la funcionalidad, limpie el filtro o la boquilla.
3. Si no va a utilizar la aspiradora durante un largo periodo de tiempo, cárguela completamente, desenchúfela de la corriente y guárdela en un lugar fresco, seco y protegida de la luz solar. Para evitar que la batería se descargue en exceso, recargue la aspiradora al menos una vez cada tres meses.

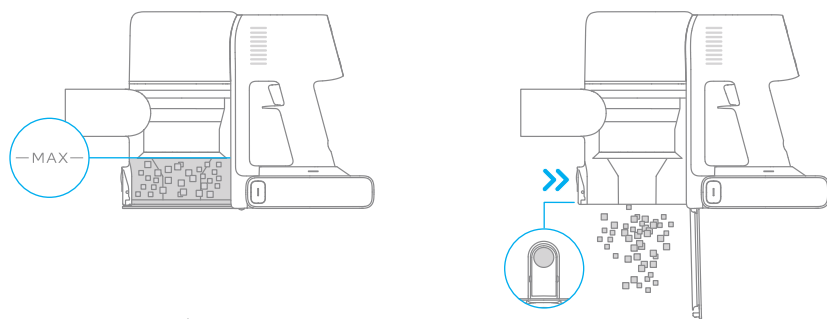
## Limpieza de la aspiradora

Limpie la aspiradora con un paño seco y suave.

## Limpieza del compartimento para el polvo, el prefiltro y el separador ciclónico

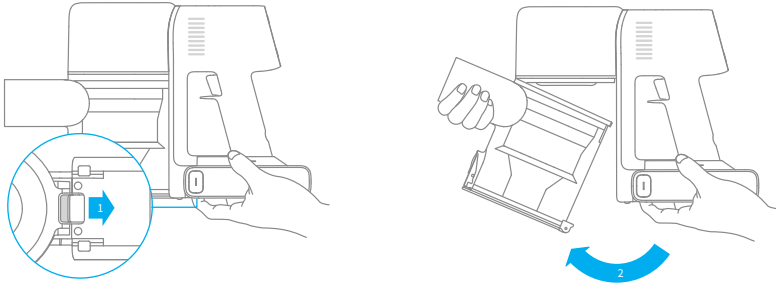
La capacidad de limpieza de la aspiradora se verá reducida en caso de que el compartimento para el polvo esté lleno y alcance la marca de "MAX". Para que recupere su rendimiento, vacíe el compartimento para el polvo de manera oportuna. Antes de vaciar el compartimento, asegúrese de que la aspiradora está desconectada de la corriente y no pulse el interruptor de encendido.

1. Pulse el interruptor para extraer la tapa inferior del compartimento de polvo y vacíe el contenido.

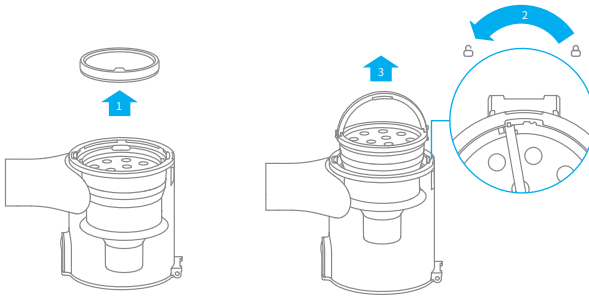


# Cuidado y mantenimiento

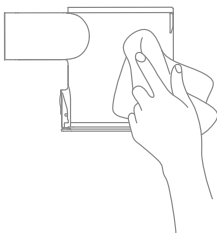
2. Mueva el interruptor de liberación del compartimento para el polvo en la dirección indicada por la flecha y retire suavemente el compartimento de polvo de la aspiradora.



3. Quite primero el prefiltro, luego levante el mango del ciclón y gire en sentido contrario a las agujas del reloj hasta que se detenga, por último, tire para sacar el separador ciclónico.



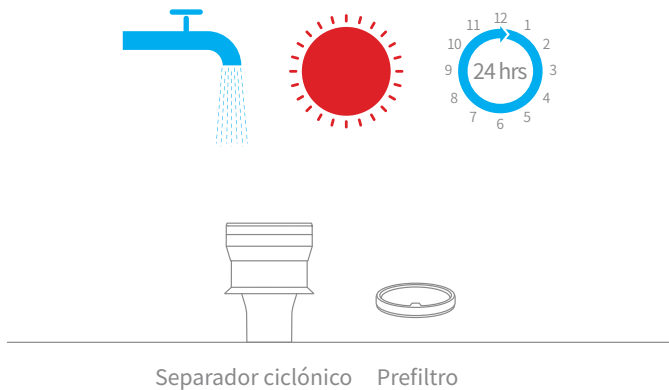
4. Limpie el depósito de polvo con un paño suave y húmedo. Asegúrese de escurrir el paño antes de usarlo.



Para reducir el riesgo de descarga eléctrica, no enjuague el depósito de polvo con agua.

# Cuidado y mantenimiento

5. Enjuague el prefiltro y el separador ciclónico hasta que estén limpios. Después del lavado, séquelos al aire por al menos 24 horas.

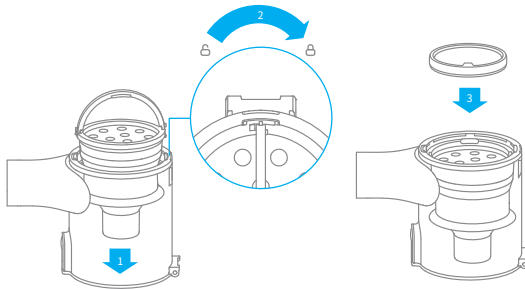


Nota: Se recomienda limpiar el prefiltro, como mínimo, una vez cada 3 meses y el sistema ciclónico una vez cada 6 meses.

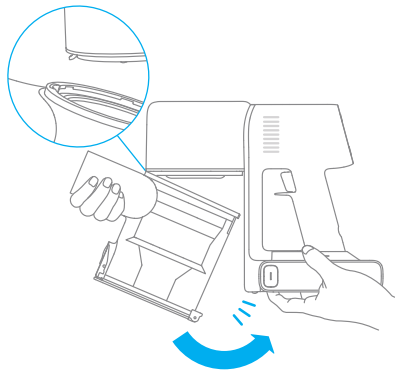
# Cuidado y mantenimiento

## Instalación del compartimento para el polvo, el prefiltro y el separador ciclónico.

1. Inserte verticalmente el ciclón en el compartimento de polvo y asegúrese de que el mango esté alineado con la ranura del lado izquierdo del compartimento de polvo. Gire el mango en el sentido de las agujas del reloj hasta que esté fijo. Luego baje el mango.
2. Coloque el prefiltro dentro del separador ciclónico, con la parte frontal mirando hacia arriba.



3. Incline ligeramente el compartimento de polvo para que sus ranuras queden alineadas con la pestaña de la aspiradora. Luego presione suavemente sobre el compartimento de polvo hasta que encaje en su sitio.

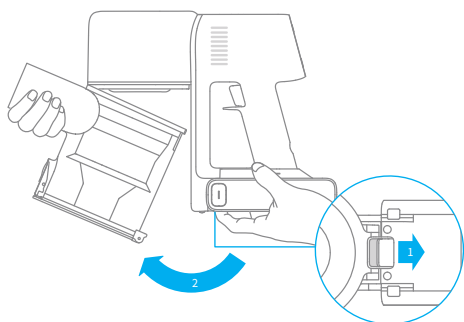


# Cuidado y mantenimiento

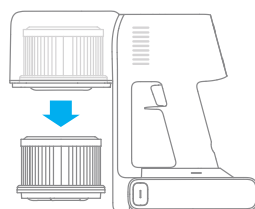
## Limpieza del filtro

Se recomienda limpiar el filtro una vez cada 4 o 6 meses.

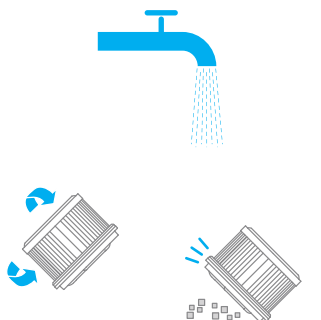
1. Extraiga el compartimento del polvo como se indica en la imagen.



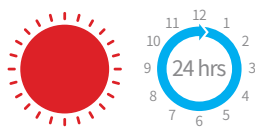
2. Extraiga el filtro de la aspiradora tirando hacia abajo, en la dirección que se muestra en la imagen.



3. Limpie el filtro con agua limpia. Asegúrese de girar el filtro 360° para quitar toda la suciedad del filtro. Golpee suavemente el filtro varias veces para extraer cualquier exceso de suciedad.



4. Deje secar el filtro durante, al menos, 24 horas.

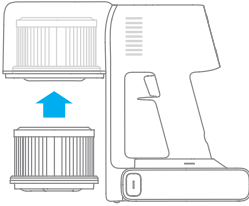


Nota:

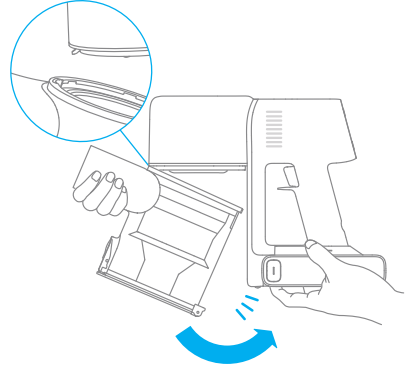
- Utilice únicamente agua limpia para limpiar el filtro. No utilice detergentes.
- No intente limpiar el filtro con un cepillo ni con los dedos.

## Instalación del filtro

1. Inserte el filtro en la aspiradora y presione suavemente hacia abajo, como se indica en la imagen.



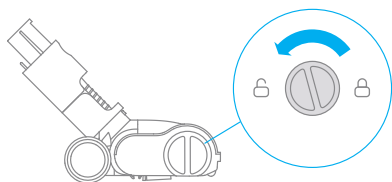
2. Vuelva a instalar el compartimento de polvo.



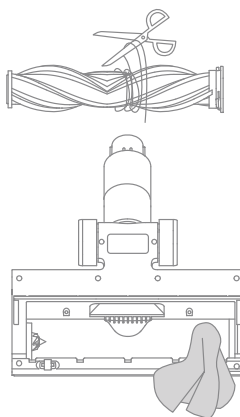
# Cuidado y mantenimiento

## Limpiar la barra-cepillo multifunción inteligente

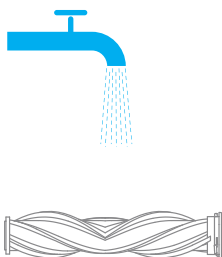
1. Gire el cierre en sentido antihorario hasta que se detenga, luego retire el cepillo giratorio de la barra-cepillo multifunción inteligente.



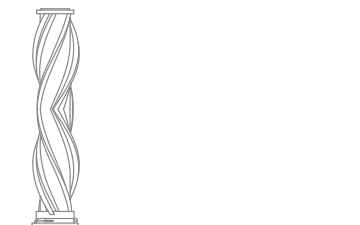
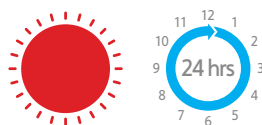
2. Utilice unas tijeras para cortar y recoger los pelos, o cualquier otro desecho, que se haya quedado enredado en el rodillo. Limpie el exceso de polvo de la ranura y de la cubierta de plástico transparente con un paño seco o con papel absorbente.



3. Cuando esté sucio, enjuague el cabezal del cepillo con agua limpia hasta que esté limpio.



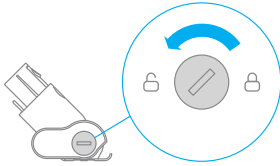
4. Tras la limpieza, deje que el rodillo se seque completamente, poniéndolo en posición vertical en un área bien ventilada durante al menos 24 horas.



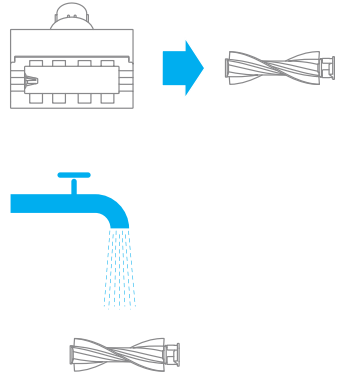
# Cuidado y mantenimiento

## Limpieza del minicepillo eléctrico

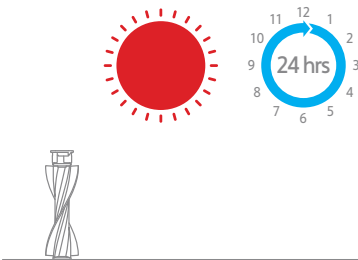
1. Utilice una moneda para girar el cierre en sentido contrario a las agujas del reloj, hasta que oiga un clic.



2. Tras desbloquear el rodillo, retírelo del minicepillo eléctrico y enjuague y limpie el rodillo.



3. Tras la limpieza, deje que el rodillo se seque completamente, poniéndolo en posición vertical en un área bien ventilada durante al menos 24 horas.



4. Cuando el rodillo esté seco, vuelva a colocarlo siguiendo los pasos del desmontaje a la inversa.



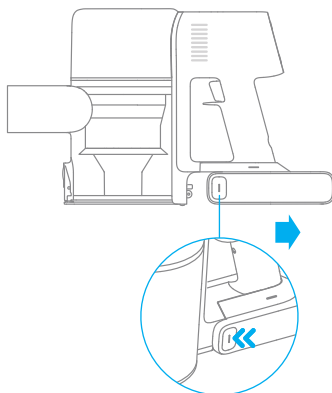


# Cuidado y mantenimiento

## Pack de batería

La aspiradora contiene un pack de batería de ion de litio recargable y extraíble que cuenta con un número limitado de ciclos de recarga. Tras un uso prolongado, el pack de batería dejará de poder realizar una carga. Si esto ocurre, significará que el pack de batería ha alcanzado el fin de su vida útil y deberá sustituirlo.

1. Pulse el botón de liberación del pack de batería y deslícelo hacia la derecha para sacarlo, como se muestra en la imagen.
2. Instale el nuevo pack de batería.



Aspiradora			
Modelo	VTT1	Tensión de carga	34 V ===
Potencia nominal	550 W	Tensión nominal	29,6 V ===
Tiempo de carga	Aproximadamente 4 horas	Capacità della batteria	2900 mAh (Capacidad nominal)
Barra-cepillo multifunción inteligente			
Modelo	ASF5		
Potencia nominal	40 W	Tensión nominal	29,6 V ===
Minicepillo eléctrico			
Modelo	VPA3		
Potencia nominal	20 W	Tensión nominal	29,6 V ===
Cargador			
Modelo	ZD024M340090EU/ ZD024M340090AU	Eficiencia activa media	87,01 %
Entrada	100 - 240 V ~ 50-60 Hz, 0,8 A max	Eficiencia en carga baja (10%)	77,01 %
Salida	34 V === 0,9 A	Consumo de energía sin carga	0,1 W
Pack de batería de ion de litio recargable			
Modelo de batería	P2033-8S1P-PAA	Capacità della batteria	2900 mAh (Capacidad nominal)
Tensión nominal	29,6 V ===	Energía	81,4 Wh

El pack de batería de ion de litio contiene sustancias perjudiciales para el medio ambiente. Antes de desechar la aspiradora, quite el pack de batería y deséchelo o recíclelo siguiendo las leyes y reglamentos locales del país o región en el que se use.

# Preguntas frecuentes

Si el aspirador no funciona correctamente, consulte la siguiente tabla de posibles soluciones.

Averías comunes	Posible causa	Solución
La aspiradora no funciona.	No tiene batería o le queda poca.	Cargue completamente la aspiradora y reanude el uso.
	Activa el modo de protección contra sobrecalentamiento debido a una obstrucción.	Espere hasta que el aspirador se enfríe, luego reactivelo.
	La abertura de succión o el conducto de aire está bloqueado.	Limpie cualquier obstrucción de la abertura de succión o del conducto de aire.
La potencia de succión disminuye.	El compartimento de polvo está lleno y/o el filtro está obstruido.	Vacíe el depósito del polvo y limpie el conjunto del filtro .
	El accesorio ensamblado está bloqueada.	Despeje cualquier bloqueo en el accesorio ensamblado.
El motor hace un ruido raro.	La abertura de succión principal o la varilla de fibra de carbono están bloqueadas.	Elimine cualquier obstrucción en la abertura de succión principal o en la varilla de fibra de carbono.
El indicador de batería no se enciende durante la carga.	El cargador no está conectado a la aspiradora.	Asegúrese de que el cargador esté bien conectado.
	La batería está totalmente cargada y cambió al modo de suspensión.	Puede utilizar la aspiradora como de costumbre.
	Si el problema persiste después de descartar las dos posibilidades anteriores.	Póngase en contacto con el servicio posventa para obtener ayuda.
La batería se carga lentamente.	La temperatura de la batería es demasiado alta o baja.	Espere a que la temperatura de la batería se normalice y reanude el uso.

# Indicación de fallo

Si la aspiradora no funciona con normalidad, en la pantalla aparecerá un mensaje de error. Consulte la tabla siguiente para encontrar la solución al problema en función del mensaje de error.

Icono del error	Mensaje del error	Soluciones
	Sobrecalentamiento de la batería	Espere a que la temperatura de la batería se normalice antes de reanudar el uso.
	El rodillo está atascado	Consulte "Limpieza de la barra-cepillo multifunción inteligente" en la sección de Cuidado y mantenimiento para ver las instrucciones de cómo limpiar de pelo y otros desechos el rodillo.
	Conducto de aire bloqueado	Compruebe si el depósito de polvo, la varilla de fibra de carbono y el cepillo todo-terreno inteligente están bloqueados.
	Error	Póngase en contacto con el servicio posventa para concertar una cita de mantenimiento.
	Batería Baja	Recárguela cuanto antes.
	La batería se ha agotado	Recárguela cuanto antes.
	Filtro a punto de expirar	Reemplace el filtro a tiempo.
	Filtro no instalado	Assicurarsi che il filtro e il pre-filtro siano installati correttamente.
	Reemplazar el filtro	Reemplace el filtro a tiempo. Después de reemplazar el filtro, presione y mantenga presionado el botón  durante 1.5 segundos para ingresar la cuenta regresiva de reinstalar el filtro. Mantenga presionado el botón durante otros 5 segundos hasta que  aparezca en la pantalla, que indica reinstalación exitosa  .

## Información sobre RAEE



Todos los productos que llevan este símbolo son residuos de aparatos eléctricos y electrónicos (RAEE según la directiva 2012/19/UE) que no deben mezclarse con residuos domésticos sin clasificar. En su lugar, debe proteger la salud humana y el medio ambiente entregando sus equipos de desecho a un punto de recogida para el reciclaje de residuos de equipos eléctricos y electrónicos, designado por el gobierno o las autoridades locales. La eliminación y el reciclado correctos ayudarán a evitar posibles consecuencias negativas para el medio ambiente y la salud humana. Póngase en contacto con el instalador o con las autoridades locales para obtener más información sobre la ubicación y las condiciones de dichos puntos de recogida.

Во избежание травм из-за случайного поражения электрическим током или воспламенения в результате неправильной эксплуатации изделия перед началом использования внимательно прочитайте руководство по эксплуатации.

## Предупреждение

- В целях безопасности данное изделие не должно использоваться лицами с ограниченными физическими или интеллектуальными возможностями и нарушениями в работе органов чувств, а также лицами, не имеющими соответствующего опыта и знаний (включая детей), за исключением случаев, когда изделие используется под наблюдением ответственного лица.
- Детям строго запрещено использовать данное изделие по назначению или в качестве игрушки. Будьте крайне осторожны во время использования изделия рядом с детьми. Детям строго запрещено чистить или ремонтировать изделие без контроля взрослых.
- Строго запрещено использовать изделие на открытом воздухе или на влажной поверхности. Используйте изделие только на сухой поверхности внутри помещения, не прикасайтесь к штепсельной вилке или любой другой части изделия мокрыми руками.
- Во избежание воспламенений, взрывов или травм проверьте литиевый аккумулятор и зарядное устройство на наличие повреждений перед началом использования. Запрещено использовать пылесос, если литиевая батарея или зарядное устройство повреждены.
- «Умная» щетка с несколькими насадками, электрическая мини-щетка, аккумулятор, углеволоконная трубка и основной блок пылесоса являются токопроводящими элементами. Не погружайте эти элементы в воду или другие жидкости во время очистки. После ежедневной уборки убедитесь, что все фильтрующие устройства полностью просушены.
- Во время очистки «умной» щетки с несколькими насадками выключите основной блок пылесоса, чтобы вращающаяся роликовая щетка не травмировала пользователя. Строго запрещено использовать изделие, если «умная» многофункциональная щетка, контейнер для пыли и фильтр не установлены надлежащим образом.
- Используйте только оригинальное зарядное устройство, не используйте иные зарядные устройства, так как это может привести к возгоранию литиевого аккумулятора.
- Не используйте изделие для удаления воды, бензина и других легковоспламеняющихся или взрывоопасных жидкостей. Не используйте изделие для удаления токсичных растворов, таких как хлорный отбеливатель, аммиак, средства для очистки канализации, или других жидкостей.
- Запрещено использовать пылесос для очистки извести, цемента, гипсового порошка, золы и пепла, больших объемов муки и угольной пыли, а также для удаления дымящихся или зажигательных средств, таких как угли, окурки или спички.
- Перед началом эксплуатации проверьте зону для уборки. В случае обнаружения крупных листов бумаги, бумажных шариков, пластиковых или острых предметов

- (таких как стекло, гвозди, винты, монеты и т.д.), а также элементов крупнее диаметра коктейльной трубочки удалите их, чтобы избежать засорения всасывающей трубки и нарушения нормальной работы изделия.
- Избегайте соприкосновения воздушного отверстия и движущихся элементов изделия с волосами, одеждой, пальцами и другими частями тела. Не направляйте удлинитель и другие детали изделия в сторону глаз, ушей или рта.
- Запрещено помещать какие-либо предметы на всасывающее отверстие. Не используйте пылесос, если всасывающее отверстие засорилось. Наличие больших кусков пыли, ваты, волос и других предметов может привести к ослаблению воздушного потока. Своевременно проводите очистку.
- Не прислоняйте пылесос к неустойчивым предметам, таким как стулья или столы, чтобы избежать повреждения пылесоса и травмирования пользователя в результате падения пылесоса. В случае повреждения или поломки пылесоса в результате падения обратитесь в официальный сервисный центр. Не разбирайте изделие самостоятельно.
- Осуществляйте зарядку в строгом соответствии с инструкциями. В случае неправильной зарядки и превышения указанного диапазона температуры, аккумулятор может быть поврежден.
- Извлеките штепсельную вилку перед техническим обслуживанием или ремонтом, а также в случае продолжительного хранения изделия.
- Будьте предельно внимательны во время использовании изделия для уборки лестницы.
- Не проводите сборку, не заряжайте и не используйте данное изделие на улице, в ванной комнате или вблизи бассейна.
- Опасность возгорания: не наносите какие-либо ароматизаторы на фильтр данного изделия, так как химические вещества, содержащиеся в таких жидкостях, легко воспламеняются и могут привести к возгоранию.
- Данное изделие подходит исключительно для домашнего использования.
- Используйте только оригинальное зарядное устройство (модель ZD024M340090EU/ZD024M340090AU). Несоблюдение этого правила может привести к возгоранию литиевого аккумулятора.
- Используйте только аккумуляторы модели P2033-8S1P-PAА. Несоблюдение этого правила может привести к возгоранию литиевого аккумулятора.
- Запрещается использовать и хранить изделие в экстремальных температурных условиях (ниже 0°С или выше 40°С). Используйте оригинальный адаптер питания и проводите подзарядку при температуре от 0°С до 40°С.
- Данное изделие предназначено только для домашнего использования. Меры предосторожности при хранении и транспортировке:
  - Не транспортируйте робот-пылесос при температуре выше 50°С или ниже -20°С.
  - В случае краткосрочного хранения, например одного месяца, пылесос рекомендуется хранить при температуре от -20°С до 50°С и относительной влажности 60% ± 5%. В случае длительного хранения пылесос рекомендуется хранить при температуре окружающей среды от 0°С до 25°С.

- Утилизируйте пылесос надлежащим образом. По окончании срока службы утилизируйте пылесос в соответствии с местными законами и нормативными актами страны/региона использования. Дату производства см. на этикетке со штрих-кодом.

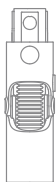
Мы, компания Dreame Trading (Tianjin) Co., Ltd., настоящим заявляем, что данное изделие соответствует требованиям всех действующих директив ЕС и европейских стандартов со всеми изменениями и дополнениями. Полный текст декларации о соответствии нормативным требованиям ЕС доступен по адресу: [www.dreame-technology.com](http://www.dreame-technology.com)

Подробное электронное руководство см. по адресу <https://www.dreame-technology.com/pages/user-manuals-and-faqs>

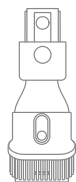


# Описание изделия

## Список аксессуаров



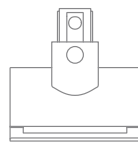
Нижний адаптер



Щетка "2 в 1"



Мягкая щетка для пыли



Электрическая мини-щетка



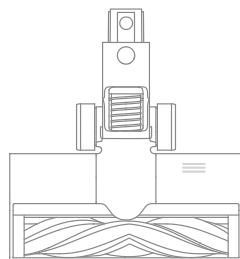
Углеродная трубка



Удлинительная трубка



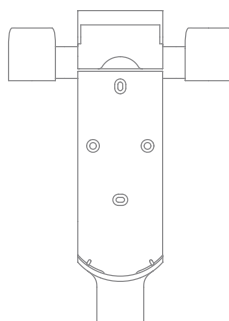
Зарядное устройство



"Умная" многофункциональная щетка



Щелевая насадка LED

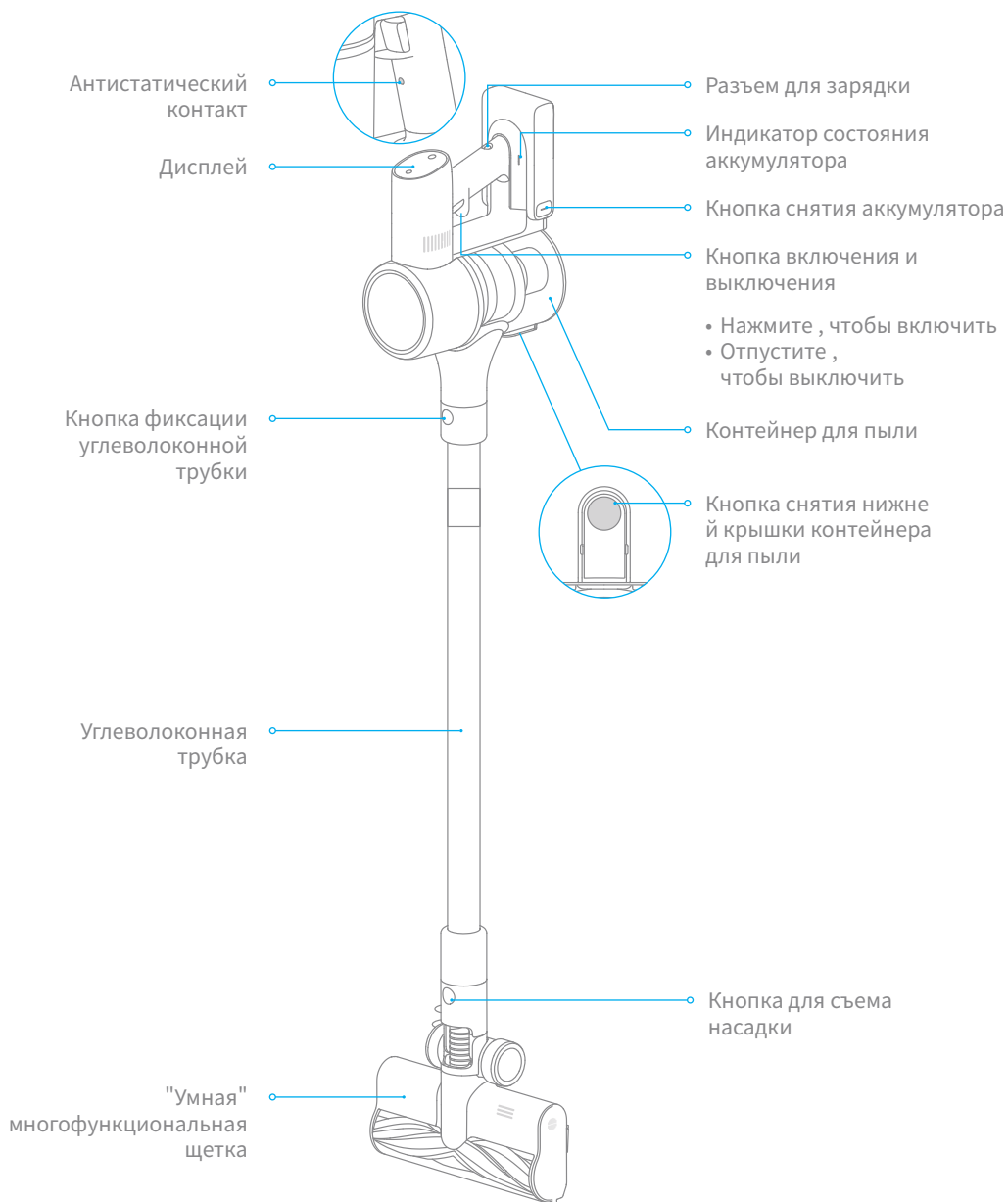


Подставка для зарядки и хранения "2 в 1"  
(в комплекте: 2 винта, 2 дюбеля и стикер места фиксации)

Примечание. Все иллюстрации в данном руководстве приведены исключительно для справки. По внешним параметрам ориентируйтесь на фактический вид изделия.

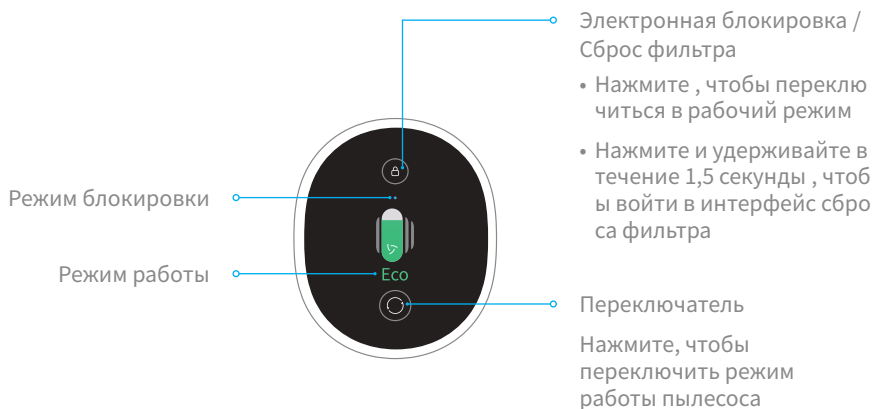
# Описание изделия

## Название детали



# Описание изделия

## Описание функций дисплея



### Примечание.

- Во время работы пылесоса уровень загрязнения отображается в реальном времени с помощью индикатора объема пыли и кривой контроля уровня пыли.
- Остаток рабочего времени отображается приблизительно для ознакомления и может отличаться от реального времени.

# Инструкция по установке и сборке

RU

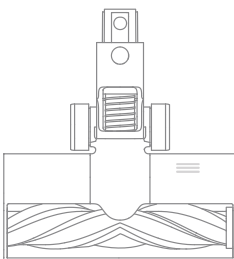
## Сборка основного корпуса



Вставьте до щелчка



Вставьте до щелчка



# Инструкция по установке и сборке

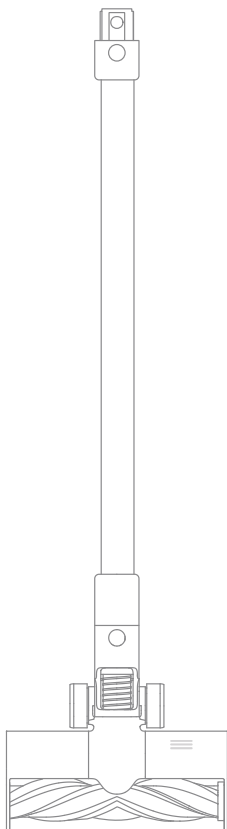
## Установка аксессуаров



Вставьте до щелчка



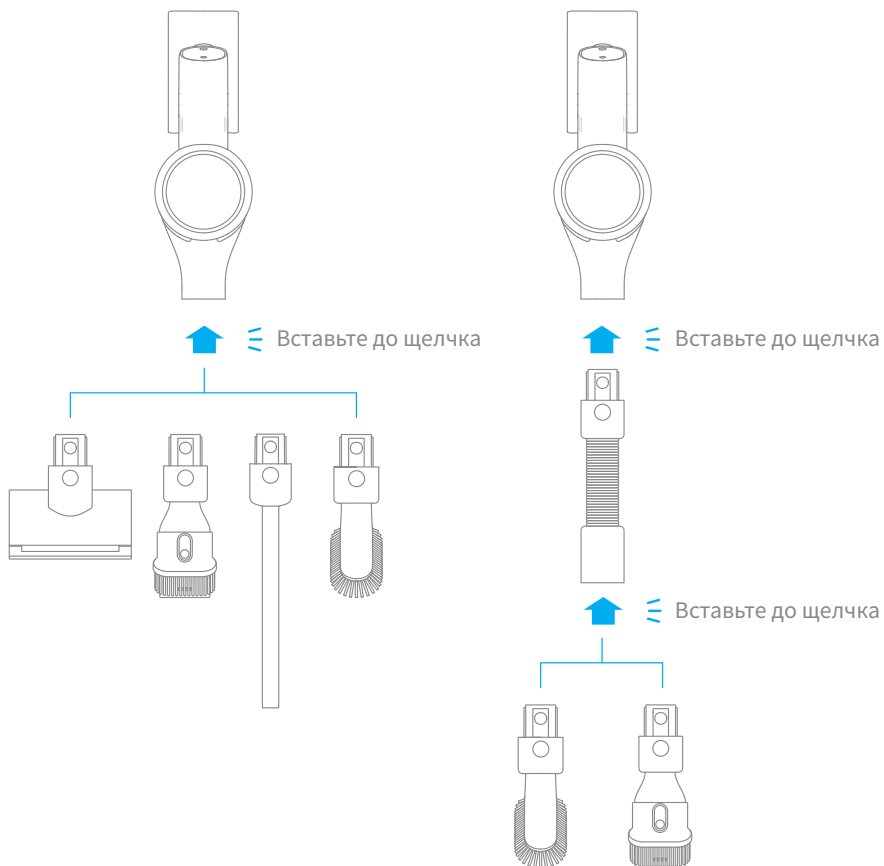
Вставьте до щелчка



# Инструкция по установке и сборке

RU

## Установка аксессуаров



# Инструкция по установке и сборке

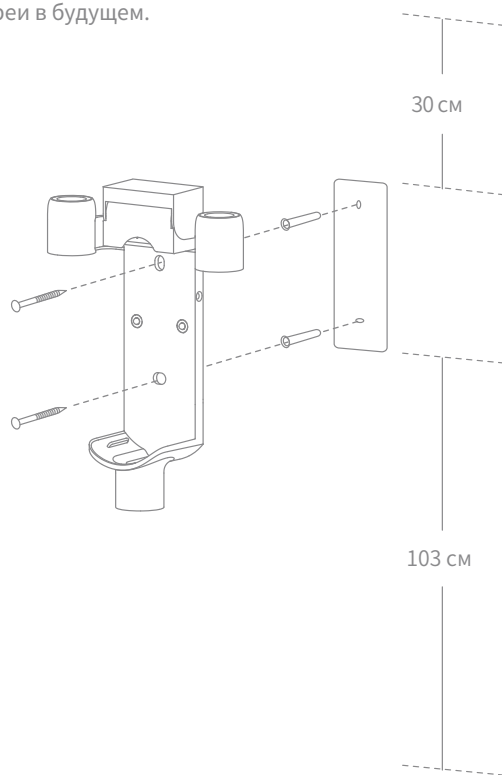
## Установка подставки для зарядки и хранения "2 в 1"

(Подставка для зарядки и хранения "2 в 1" — это дополнительный аксессуар, который может быть установлен по необходимости.)

Примечание. Подставку для зарядки и хранения "2 в 1" следует устанавливать в прохладном и сухом месте рядом с электрической розеткой. Перед установкой убедитесь, что непосредственно рядом с местом установки подставки отсутствуют провода и трубки.

1. Наклейте стикер места фиксации на стене параллельно полу на расстоянии не менее 103 см (от нижнего края стикера до пола) и оставьте минимум 30 см\* свободного пространства над верхним краем стикера.
2. При помощи перфоратора со сверлом 8 мм просверлите отверстия согласно отметка на стикере и вставьте дюбель в каждое отверстие.
3. Соедините монтажные отверстия на подставке для зарядки и хранения "2 в 1" с отверстиями в стене, а затем прикрутите подставку к стене с помощью прилагающихся винтов.

\*30 см: дополнительное место для покупки сменной батареи в будущем.



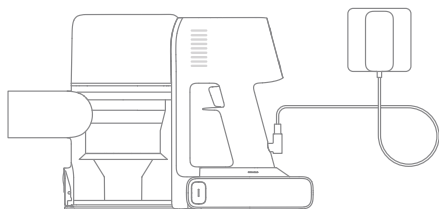
Перед первым использованием зарядите пылесос до полной зарядки.

Примечание.

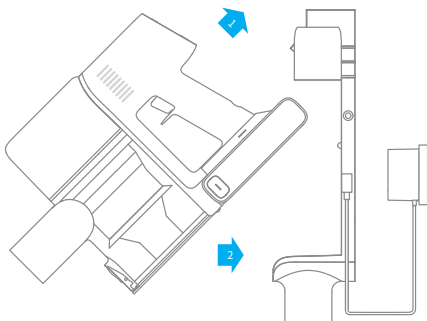
- Первая зарядка займет около 4 часов.
- После безостановочной уборки в режиме Турбо аккумулятор может сильно нагреться, поэтому пылесосу может потребоваться больше времени на подзарядку. Рекомендуется остудить робот в течение 30 минут и затем начать подзарядку.

## Режимы зарядки

Зарядка с помощью зарядного устройства



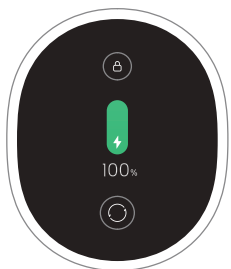
Зарядка с помощью подставки для зарядки



## Способы отображения уровня зарядки

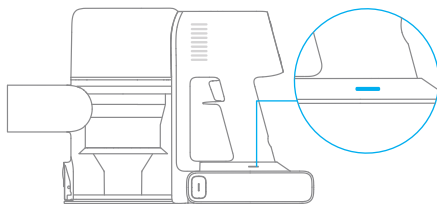
Дисплей

Цифровое отображение уровня заряда на дисплее во время зарядки. Цифра 100 означает, что аккумулятор полностью заряжен.



Индикатор состояния аккумулятора

Во время зарядки аккумулятора индикатор мигает белым. После окончания зарядки мигание индикатора прекратится и загорится белый свет.








Примечание.

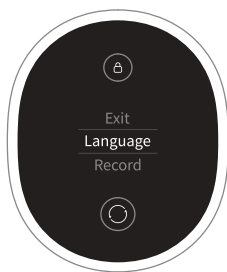
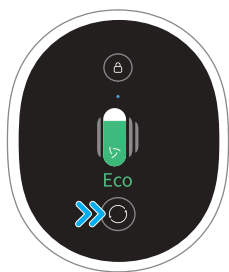
Через 5 минут после окончания зарядки индикатор погаснет, а пылесос перейдет в энергосберегающий режим.






# Правила эксплуатации изделия

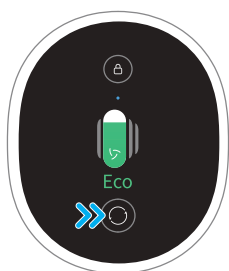
## Настройка языка

Удерживайте кнопку  в течение 3 сек., чтобы отобразился интерфейс меню, и нажмите , чтобы выбрать опцию выбора языка. Удерживайте кнопку  в течение 1 сек., чтобы перейти в интерфейс выбора языка. Затем нажатием кнопки  пролистайте список языков и выберите необходимый язык, удержав кнопку  в течение 3 сек.




## Журнал уборки


Удерживайте кнопку  в течение 3 сек., чтобы отобразился интерфейс меню, и нажмите , чтобы выбрать опцию журнала уборки. Удерживайте кнопку  в течение 1 сек., чтобы перейти в интерфейс журнала уборки и просмотреть историю уборки за последние 7 дней.



Примечание.

- В случае отсутствия действий через 15 секунд экран автоматически вернется на главную страницу.
- Чтобы выйти из меню, нажмите кнопку  и выберите опцию выхода.

## Переключатель

Нажимайте  для переключения 4 режимов всасывания: Автоматическим, Энергосберегающий, Интенсивный и Турбо. Соответствующий режим всасывания отразится на дисплее.

После подсоединения «умной» многофункциональной щетки пылесос сможет автоматически регулировать силу всасывания на паркетном (кафельном) и ковровом покрытиях.

Примечание. В случае прерывания уборки в любом режиме после повторного запуска пылесоса будут автоматически восстановлен последний выбранный режим всасывания.

# Правила эксплуатации изделия

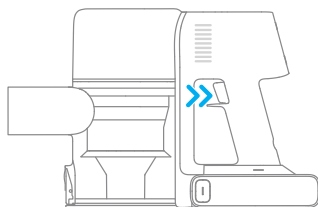
## Рабочие режимы

Доступны 2 режима работы робота-пылесоса, которые могут быть выбраны в зависимости от требований к уборке.


В рабочем режиме уборки объем пыли определяется за 1 сек. и отображается в реальном времени на кривой контроля уровня пыли на дисплее пылесоса.

### Режим 1: "прерывистая уборка"

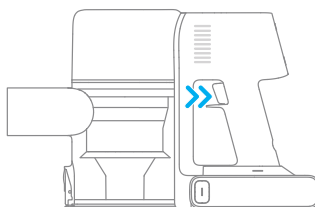
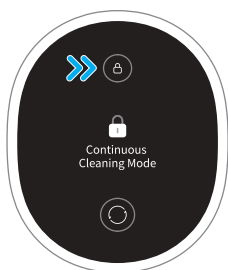
Нажмите и удерживайте переключатель пылесоса, чтобы начать работу, и отпустите его, чтобы немедленно остановить.




### Режим 2: "непрерывная уборка"

Нажмите кнопку , чтобы переключиться в режим непрерывной уборки, а затем нажмите переключатель на корпусе, чтобы перевести пылесос в режим непрерывной уборки.

С помощью функции электронной блокировки вы можете не удерживать кнопку переключения постоянно для защиты от усталости.



Примечание.

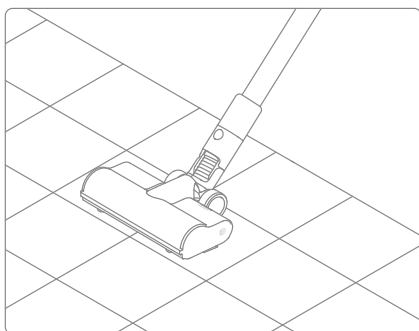
- В этом режиме нажмите кнопку переключения, чтобы приостановить работу или повторно запустить пылесос без изменения режима работы.
- Повторно нажмите на кнопку  электронной блокировки, чтобы выйти из режима непрерывной уборки.

## Сценарии использования аксессуаров

### "Умная" многофункциональная щетка

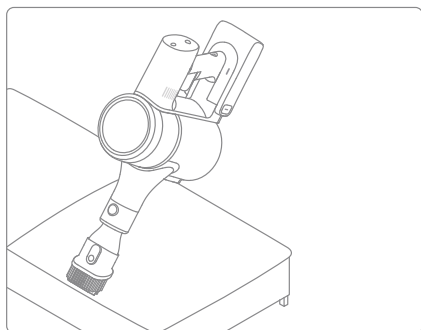
используется для очистки напольных покрытий, например мрамора, плитки и ковров с коротким ворсом. В автоматическом режиме пылесос может автоматически регулировать силу всасывания в зависимости от типа поверхности.

Примечание. "Умная" многофункциональная щетка может крепиться непосредственно на пылесос.



### Щетка "2 в 1"

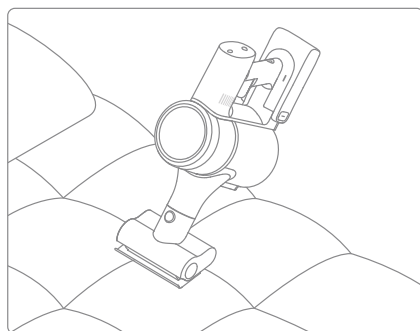
используется для очистки штор, клавиатуры, потолочной плитки, салона автомобиля, кофейных столиков и т. д.



### Электрическая мини-щетка

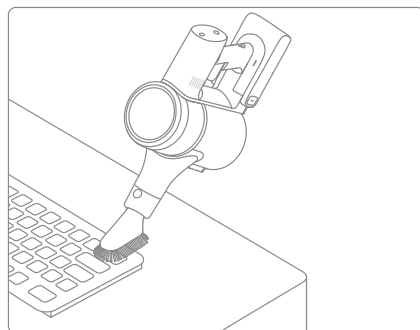
используется для уборки грязи, шерсти животных и других стойких загрязнений на диване, матрасе и других тканевых поверхностях.

Примечание. Не рекомендуется использовать пылесос для уборки поверхностей, на которых могут остаться зацепки и царапины (напр. Шелк).



### Мягкая щетка для пыли

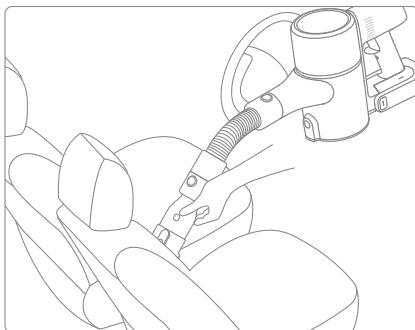
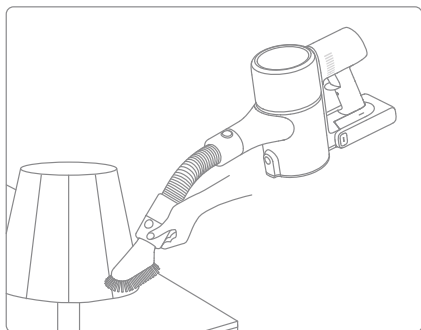
Подходит для очистки жидкокристаллических дисплеев, клавиатур, плафонов, штор, жалюзи и поверхностей других хрупких и ломких предметов.



# Правила эксплуатации изделия

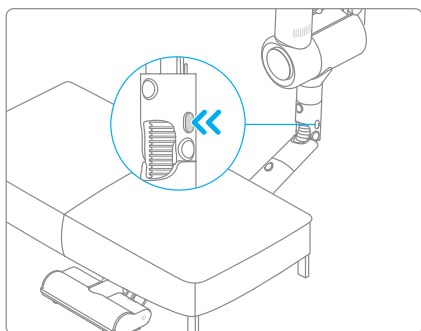
## Удлинительная трубка

В сочетании с щеткой «2 в 1» мягкая щетка для пыли подходит для уборки выдвигающихся ящиков, салонов автомобилей, поверхности под диваном и других труднодоступных участков.



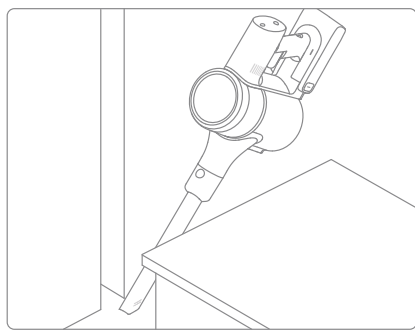
## Нижний адаптер

Возможность регулировки длины и направления трубки позволяет проводить уборку под кроватью, диваном и другой низкой мебелью.



## Щелевая насадка LED

За счет тонкого всасывающего отверстия и освещения LED-подсветки насадка может глубоко проникать в узкие пространства и тщательно удалять пыль и загрязнения.



## Примечание.

- В случае заклинивания какой-либо вращающейся детали пылесос может автоматически отключиться. Уберите застрявшие посторонние предметы и продолжите уборку.
- В случае перегрева аккумулятора пылесос автоматически отключится. Подождите, пока температура аккумулятора нормализуется, а затем продолжите уборку.

## Меры предосторожности

1. Используйте оригинальные запчасти, в противном случае гарантийное обслуживание будет недоступно.
2. В случае засорения фильтра, насадки или "умной" многофункциональной щетки робот-пылесос может выключиться сразу после запуска. Очистите засоренные детали перед повторным запуском.
3. Если вы не планируете использовать пылесос в течение длительного периода времени, полностью зарядите его, отключите от розетки и положите на хранение в прохладном месте с низкой влажностью вдали от прямых солнечных лучей. Во избежание избыточной разрядки аккумулятора заряжайте пылесос как минимум раз в три месяца.

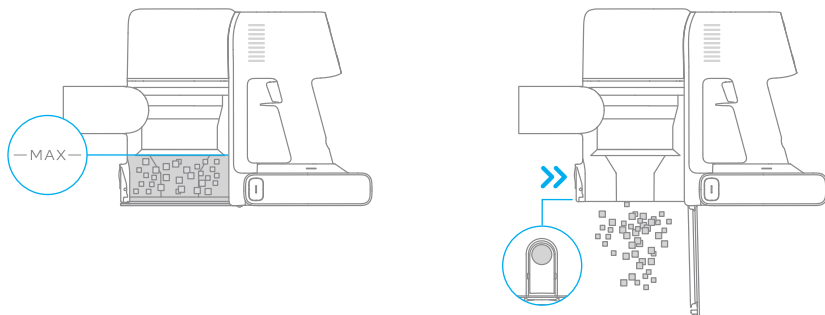
## Очистка пылесоса

Протрите пылесос мягкой сухой тряпкой.

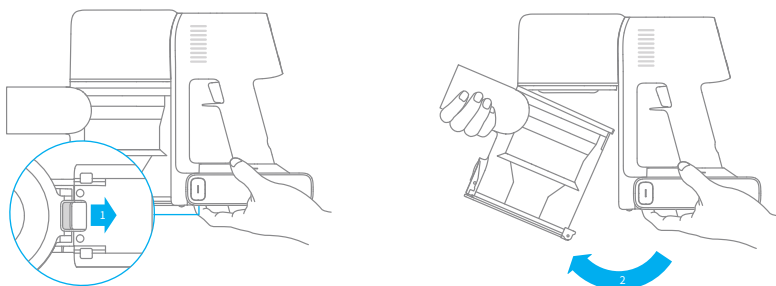
## Очистка контейнера для пыли, фильтра предварительной очистки и циклонного блока

Если контейнер для пыли заполнен до отметки "MAX", эффективность работы пылесоса может значительно снизиться. Для оптимальной работы своевременно очищайте контейнер для пыли. Перед очисткой контейнера убедитесь, что пылесос отключен от розетки, и не нажимайте кнопку "Пуск".

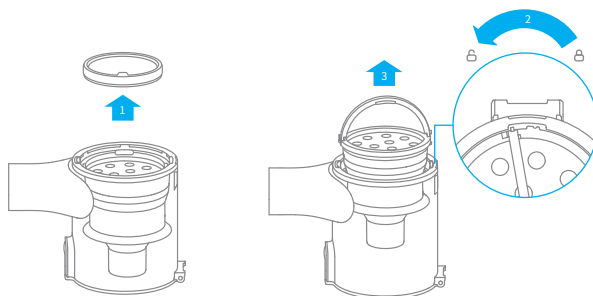
1. Нажмите кнопку снятия нижней крышки контейнера для пыли в направлении, обозначенном стрелкой, а затем откройте крышку и извлеките содержимое контейнера.



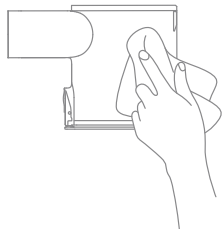
2. Нажмите кнопку извлечения контейнера для пыли в направлении, обозначенном стрелкой, как показано на Рис.1, а затем извлеките контейнер для пыли из пылесоса, как на Рис.2.



3. Сначала снимите фильтр предварительной очистки, поверните ручку циклонного блока против часовой стрелки до упора, а затем извлеките циклонный блок.



4. Протирайте контейнер для пыли тщательно выжатой влажной тряпкой.



Контейнер для пыли содержит электрические компоненты. Запрещено промывать контейнер водой!

5. Тщательно промойте фильтр предварительной очистки и циклонный блок, а затем отложите минимум на 24 часа для полной просушки.



Циклонный блок



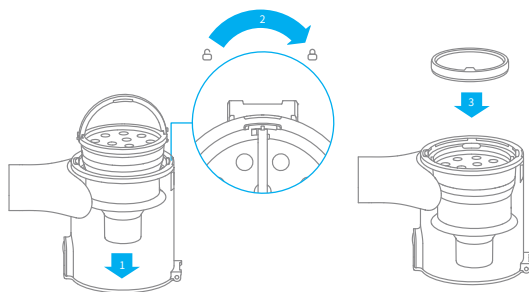
Фильтр предварительной очистки

Примечание. Рекомендуется очищать фильтр предварительной уборки не реже одного раза в 3 месяца, а циклонный блок — не реже одного раза в 6 месяцев.

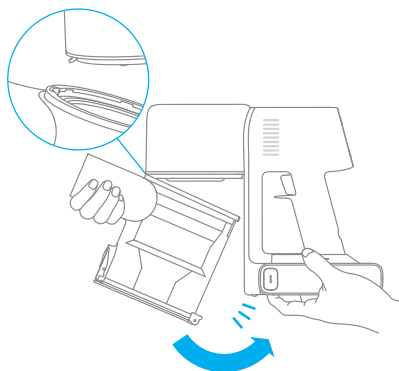


## Установка контейнера для пыли, фильтра предварительной очистки и циклонного блока

1. Вставьте циклонный блок вертикально в контейнер для пыли так, чтобы ручка циклонного блока соединилась с отверстием на левой стенке контейнера для пыли. Поверните ручку по часовой стрелке до упора, а затем опустите ее.
2. Вставьте фильтр предварительной очистки в циклонный блок передней стороной вверх.



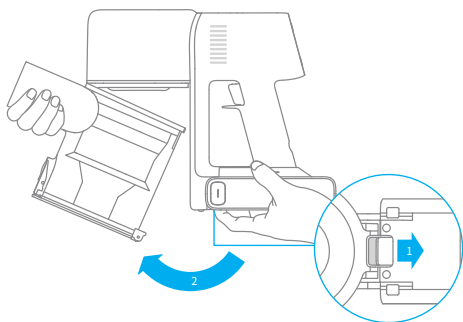
3. Слегка наклоните контейнер для пыли, чтобы его отверстие соединилось с фиксатором на пылесосе. Затем осторожно нажмите на контейнер в направлении, обозначенном стрелкой, до щелчка, чтобы завершить установку.



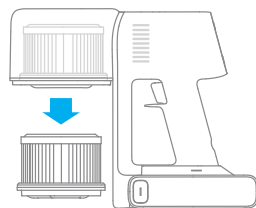
## Очистка фильтра

Рекомендуется очищать фильтр каждые 4–6 месяцев.

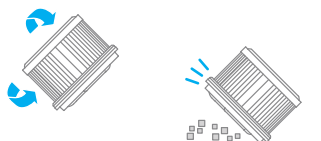
1. Извлеките контейнер для пыли так, как показано на рисунке.



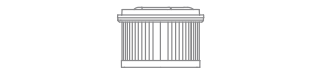
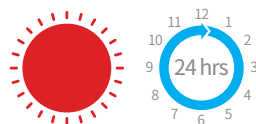
2. Достаньте фильтр из пылесоса движением вниз, как показано на рисунке.



3. Промойте фильтр чистой водой, поворачивая фильтр на 360°, чтобы полностью удалить накопившуюся в нем пыль. Несколько раз слегка постучите по фильтру, чтобы убрать избыток грязи.



4. Просушите фильтр в течение как минимум 24 часов.

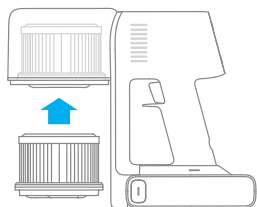


Примечание.

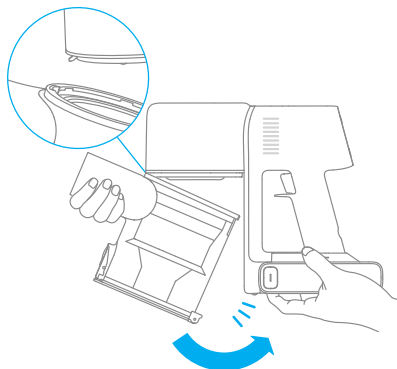
- Промывайте фильтр только чистой водой. Не используйте чистящие средства.
- Не очищайте фильтр щеткой или пальцами.

## Установка фильтра

1. Вставьте фильтр в пылесос и слегка нажмите на него, как показано на рисунке.

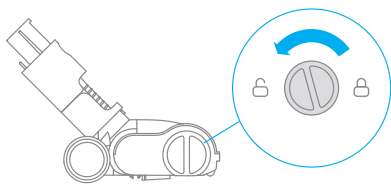


2. Установите контейнер для пыли на место.

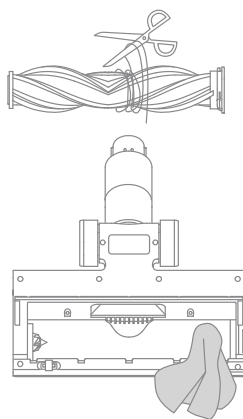


## Очистка "умной" многофункциональной щетки

1. Поверните фиксатор против часовой стрелки до упора, а затем снимите роликовую щетку с "умной" многофункциональной щетки.



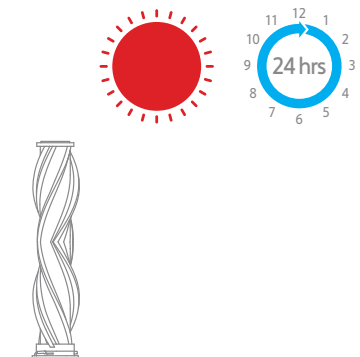
2. Вырежьте волосы и другие волосистые предметы, запутавшиеся в роликовой щетке, с помощью ножниц и выбросьте. Удалите пыль с отверстия и прозрачной крышки с помощью сухой тряпки или бумажного полотенца, а затем просушите и установите на место.



3. При наличии загрязнений промойте головку щетки чистой водой до полной очистки.



4. После промывки тщательно высушите роликовую щетку в вертикальном положении в хорошо проветриваемом месте как минимум в течение 24 часов.

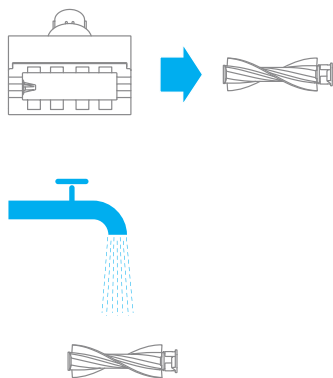


## Очистка электрической мини-щетки

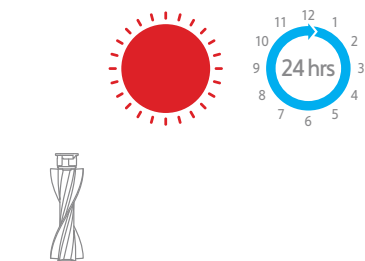
1. С помощью монетки поверните замок против часовой стрелки до щелчка.



2. После разблокировки снимите ролик с насадкой, а затем промойте и прочистите.



3. После промывки тщательно высушите ролик с насадкой в вертикальном положении в хорошо проветриваемом месте как минимум в течение 24 часов.



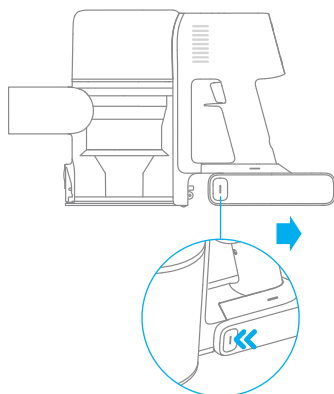
4. После просушки установите ролик с насадкой на место, выполнив все этапы разборки в обратном порядке.



## Аккумулятор

Пылесос содержит съемный литий-ионный аккумулятор с ограниченным количеством циклов зарядки. После продолжительного использования аккумулятор может перестать держать заряд. Это означает, что срок службы аккумулятора подошел к концу и его требуется заменить.

1. Нажмите кнопку снятия аккумулятора и сдвиньте аккумулятор вправо, как показано на рисунке, чтобы снять его.
2. Вставьте новый аккумулятор.



# Технические характеристики

Вакуумный пылесос			
Модель	VTT1	Напряжение при зарядке	34 В ===
Номинальная мощность	550 Вт	Номинальное напряжение	29,6 В ===
Время зарядки	Около 4 ч.	Емкость батареи	2900 мА·ч (Расчетная емкость)
"Умная" многофункциональная щетка			
Модель	ASF5		
Номинальная мощность	40 Вт	Номинальное напряжение	29,6 В ===
Электрическая мини-щетка			
Модель	VPA3		
Номинальная мощность	20 Вт	Номинальное напряжение	29,6 В ===
Зарядное устройство			
Модель	ZD024M340090EU/ ZD024M340090AU	Средний КПД в активном состоянии	87,01 %
Вход	100–240 В~ 50/60 Гц 0,8 А	КПД при низкой нагрузке (10 %)	77,01 %
Выход	34 В === 0,9 А	Потребляемая мощность без нагрузки	0,1 Вт
Перезаряжаемый литий-ионный аккумулятор			
Модель	P2033-8S1P-PAA	Емкость батареи	2900 мА·ч (Расчетная емкость)
Расчетное напряжение	29,6 В ===	Энергия	81,4 Вт·ч

Литий-ионный аккумулятор содержит вещества, представляющие опасность для окружающей среды. Перед утилизацией пылесоса сначала выньте аккумулятор и утилизируйте или сдайте его на переработку в соответствии с местными законами и правилами страны или региона эксплуатации.

Если пылесос перестал работать в нормальном режиме, см. таблицу устранения неисправностей ниже.

Неисправность	Возможная причина	Решение
Пылесос не работает.	Пылесос разрядился или недостаточный заряд аккумулятора.	Полностью зарядите пылесос, а затем продолжите использование.
	В результате засорения автоматически включился режим защиты от перегрева.	Подождите, пока пылесос остынет, а затем заново включите его.
	Отверстие для всасывания или воздушное отверстие засорилось.	Очистите отверстие для всасывания или воздушное отверстие от загрязнений.
Сила всасывания снизилась.	Заполнен контейнер для пыли и/или засорен фильтр.	Очистите контейнер для пыли и очистите блок фильтра .
	Аксессуар засорился.	Очистите аксессуар от загрязнений.
Посторонние шумы в двигателе.	Засорение основного всасывающего отверстия или углеволоконной трубки.	Удалите посторонние предметы из основного всасывающего отверстия или углеволоконной трубки.
Во время зарядки пылесоса индикатор заряда не горит.	Зарядное устройство не подключено к пылесосу.	Убедитесь, что зарядное устройство подключено правильно.
	Аккумулятор полностью заряжен и перешел в спящий режим.	Пылесос готов к использованию.
	Если после устранения обоих указанных выше ситуаций проблема по-прежнему не устранена.	обратитесь в отдел послепродажного обслуживания компании для проведения ремонта.
Медленная зарядка аккумулятора.	Слишком низкая или слишком высокая температура аккумулятора.	Подождите, пока температура аккумулятора нормализуется, а затем продолжите использование.



# Устранение неисправностей

Примечание. В случае неисправности работы пылесоса на дисплее появится информация о проблеме. Внимательно прочитайте указанную информацию и изучите таблицу неисправностей для ее устранения.

Значок неисправности	Предупреждение о неисправности	Решения
	Перегрев батареи	Подождите, пока температура аккумулятора нормализуется, а затем продолжите использование.
	Щетка-валик застряла	Обратитесь к руководству по обслуживанию [раздел "Очистка "умной" многофункциональной щетки"] для очистки волос и других загрязнений с роликовой щетки.
	Засорение воздушного отверстия	Проверьте контейнер для пыли, углеволоконную трубку и «умную» многофункциональную щетку на наличие засорений
	Неисправность	Обратитесь в отдел послепродажного обслуживания для устранения неполадки.
	Низкий заряд батареи	Как можно скорее зарядите аккумулятор.
	Батарея израсходована	Как можно скорее зарядите аккумулятор.
	Расход фильтра подходит к концу	Своевременно производите замену фильтра.
	Фильтр не установлен	Убедитесь, что -фильтр и фильтр предварительной очистки правильно установлены.
	Заменить фильтр	Своевременно производите замену фильтра. После замены фильтра удерживайте кнопку  в течение 1,5 сек., перейдите в интерфейс обратного отсчета времени перезагрузки фильтра. Удерживайте кнопку в течение 5 сек. до тех пор, пока на дисплее не появится значок  . Перезагрузка фильтра выполнена. 

## Информация об утилизации и переработке отходов электрического и электронного оборудования



Все изделия с символом отдельного сбора отработанного электрического и электронного оборудования (Директива WEEE 2012/19/EU) следует утилизировать отдельно от несортируемых бытовых отходов. С целью охраны здоровья и защиты окружающей среды такое оборудование необходимо сдавать на переработку в специальные пункты приема электрического и электронного оборудования, определенные правительством или местными органами власти. Правильная утилизация и переработка помогут предотвратить возможные негативные последствия для окружающей среды и здоровья человека. Для получения информации о местонахождении и порядке приема устройств в пунктах приема обратитесь в компанию, занимающуюся установкой оборудования, или в местные органы власти.

لتجنب الإصابات المختلفة مثل الصدمات الكهربائية والحرق الناجم عن الاستخدام غير السليم، يرجى قراءة دليل التعليمات بعناية قبل الاستخدام والاحتفاظ به بشكل صحيح.

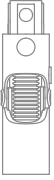
## ريذحت

- يمنع استخدام هذا المنتج من قبل الأشخاص ذوي الإعاقات الجسدية أو الحسية أو الذهنية، والأشخاص الذين ليس لديهم الخبرة والمعرفة الكافية (بما في ذلك الأطفال)، ما لم يكن هناك إشراف أو توجيه من شخص ذو كفاءة للتأكد من أنه يمكنهم استخدام هذا المنتج بأمان.
- يمنع الأطفال من استخدام المنتج أو تشغيله، وعند استخدام هذا المنتج بمحيط الأطفال من الضروري الانتباه إليه والمراقبة عن كثب، ومنع الأطفال من تنظيف المنتج أو صيانته.
- يحظر استخدام الجهاز في الهواء الطلق أو على الأسطح الرطبة بل ينصح باستخدامه على الأسطح الجافة في الداخل، لا تلمس القابس أو أي جزء من الجهاز بيد مبللة.
- لمنع حدوث حريق أو انفجار أو إصابة، يرجى التحقق مما إذا كانت بطارية الليثيوم والشاحن تالفاً قبل الاستخدام، ويحظر استخدام المكنسة الكهربائية في حالة تلف بطارية الليثيوم أو الشاحن.
- تعد الفرشاة الذكية متعدد الاستعمال للمكنسة الكهربائية، وفرشاة إزالة الترسوس الكهربائي، وأنبوب الألياف الكربونية والجهاز الرئيسي للمكنسة الكهربائية أجزاء تحمل شحنات كهربائية. يرجى عدم غمرها في الماء أو سوائل أخرى للتنظيف، بعد التنظيف اليومي، يرجى التأكد من أن جميع الفلترات جافة تماماً.
- عند تنظيف الفرشاة الذكية متعددة الاستعمال، يرجى إيقاف تشغيل الجهاز الرئيسي أولاً، لمنع رأس الفرشاة الدوار من إتلاف المستخدم، يُحظر استخدام المنتج عند عدم تركيب الفرشاة الذكية متعددة الاستعمال وسلة الغبار والفلتر.
- استخدم الشاحن الأصلي فقط، ولا تستخدم محولات غير رسمية، خلاف ذلك قد يؤدي إلى اشتعال النيران في بطارية الليثيوم.
- لا تستخدم المنتج لامتناس الماء والبزير والسوائل الأخرى القابلة للاشتعال والانفجار، ولا تستنشق المحاليل السامة، مثل مبيض الكلور أو الأمونيا أو منظفات الصرف الصحي أو السوائل الأخرى.
- يحظر استخدام المكنسة الكهربائية لتنظيف الجير والاسمنت ومسحوق الجبس ورماد الموقد والرماد وكميات كبيرة من الطحين ومسحوق الكربون وما إلى ذلك، ويحظر استنشاق الدخان أو المواد المحترقة مثل الفحم أو أعقاب السجائر أو أعواد الثقاب.
- التحقق من المنطقة المراد تنظيفها قبل الاستخدام ضروري جداً، لتجنب وجود قطعاً كبيرة من الورق أو كرات ورقية أو قطعة قماش بلاستيكية أو أشياء حادة (مثل الزجاج والمسامير والبراغي والعملات المعدنية، إلخ)، بالإضافة إلى الأشياء التي يزيد قطرها عن قطر الفتح، يرجى استبعادها مسبقاً لتجنب انسداد الفوهة والتأثير على الاستخدام العادي للمنتج.
- حافظ على تدفق الهواء وتحرن أجزاء الجهاز بعد ا عن الشعر ومالبس فضفاضة وأصابع وأجزاء أخرى من الجسم، وال توجه الموصالت المعدنة أو غرها من الملحمتا نحو عنن أو أذنن أو ف فممن.
- يمنع وضع أي مادة على الفوهة. يحظر استخدام المكنسة الكهربائية في حالة انسداد أي منفذ شفط، حيث قد يؤدي الغبار أو الصوف القطني أو الشعر أو أي عناصر أخرى إلى تقليل تدفق الهواء، يرجى تنظيفها في الوقت المناسب.
- تجنب وضع المكنسة الكهربائية على أسطح غير مستقرة مثل الكراسي وطاولات الطعام وما إلى ذلك، لمنع تلف المكنسة الكهربائية أو إصابة المستخدم عند السقوط في حال سقوط المكنسة الكهربائية أو تلفها أو بها عيوب أخرى، يرجى الاتصال بجهة الإصلاح الرسمية المعتمدة. لا تقم بإصلاحها وتفكيكها بنفسك.
- يرجى شحن البطارية بدقة وفقاً للإرشادات الواردة في الدليل، فقد يؤدي الشحن غير الصحيح خارج نطاق درجة الحرارة المحدد إلى تلف البطارية.
- يرجى فصل الجهاز من مصدر الكهرباء عند عدم الاستخدام لفترة طويلة، وقبل الصيانة أو الإصلاح
- يرجى التركيز والانتباه عند الاستخدام وتنظيف السلام خاصة
- يرجى عدم تركيب أو شحن أو استخدام هذا المنتج في الهواء الطلق، وفي الحمام أو حول حوض السباحة.

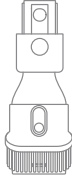
- تحذير من مخاطر الحريق: لا تضع أي منتجات عطرية على فلتر هذا المنتج، ومن المعروف أن المواد الكيميائية الموجودة في هذه المنتجات قابلة للاشتعال ويمكن أن تتسبب في اشتعال المنتج.
  - هذا المنتج مصمم للاستخدام المنزلي فقط.
  - استخدم محول الطاقة الأصلي طراز ZD024M340090EU/ZD024M340090AU فقط، استخدم محولات أخرى فقد يؤدي الى اشتعال بطارية الليثيوم.
  - استخدم بطارية طراز P2033-8S1P-PAA فقط، استخدم بطاريات أخرى فقد يؤدي الى اشتعال بطارية الليثيوم.
  - يجب عدم الاستخدام والتخزين في بيئة شديدة الحرارة أو البرودة (أقل من 0 درجة / 32 درجة فهرنهايت أو أعلى من 40 درجة / 104 درجة فهرنهايت). عند الشحن استخدم محول الطاقة الأصلي والشحن عند درجة حرارة 0 إلى 40 درجة مئوية.
  - تحذير من مخاطر الحريق: لا تضع أي منتجات عطرية على فلتر هذا المنتج، ومن المعروف أن المواد الكيميائية الموجودة في هذه المنتجات قابلة للاشتعال ويمكن أن تتسبب في اشتعال المنتج.
  - هذا المنتج مصمم للاستخدام المنزلي فقط.
  - استخدم محول الطاقة الأصلي طراز ZD024M340090EU/ZD024M340090AU فقط، استخدم محولات أخرى فقد يؤدي الى اشتعال بطارية الليثيوم.
  - استخدم بطارية طراز P2033-8S1P-PAA فقط، استخدم بطاريات أخرى فقد يؤدي الى اشتعال بطارية الليثيوم.
  - يجب عدم الاستخدام والتخزين في بيئة شديدة الحرارة أو البرودة (أقل من 0 درجة / 32 درجة فهرنهايت أو أعلى من 40 درجة / 104 درجة فهرنهايت). عند الشحن استخدم محول الطاقة الأصلي والشحن عند درجة حرارة 0 إلى 40 درجة مئوية.
- للحصول على دليل إلكتروني مفصل، يُرجى الانتقال إلى - [https://www.dreame-technology.com/pages/user-](https://www.dreame-technology.com/pages/user-manuals-and-faqs)

manuals-and-faqs

## قائمة الملحقات



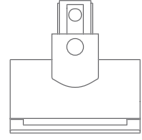
رأس التبديل السفلي



فوهة فرشاة 2 في 1



فرشاة تنظيف الغبار الناعمة



فرشاة كهربائية صغيرة



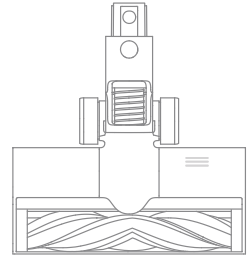
أنبوب الألياف الكربونية



أنبوب ناعم ممتد



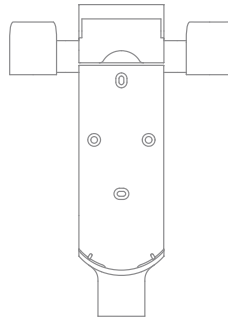
محول الطاقة



فرشاة ذكية متعددة الاستعمال



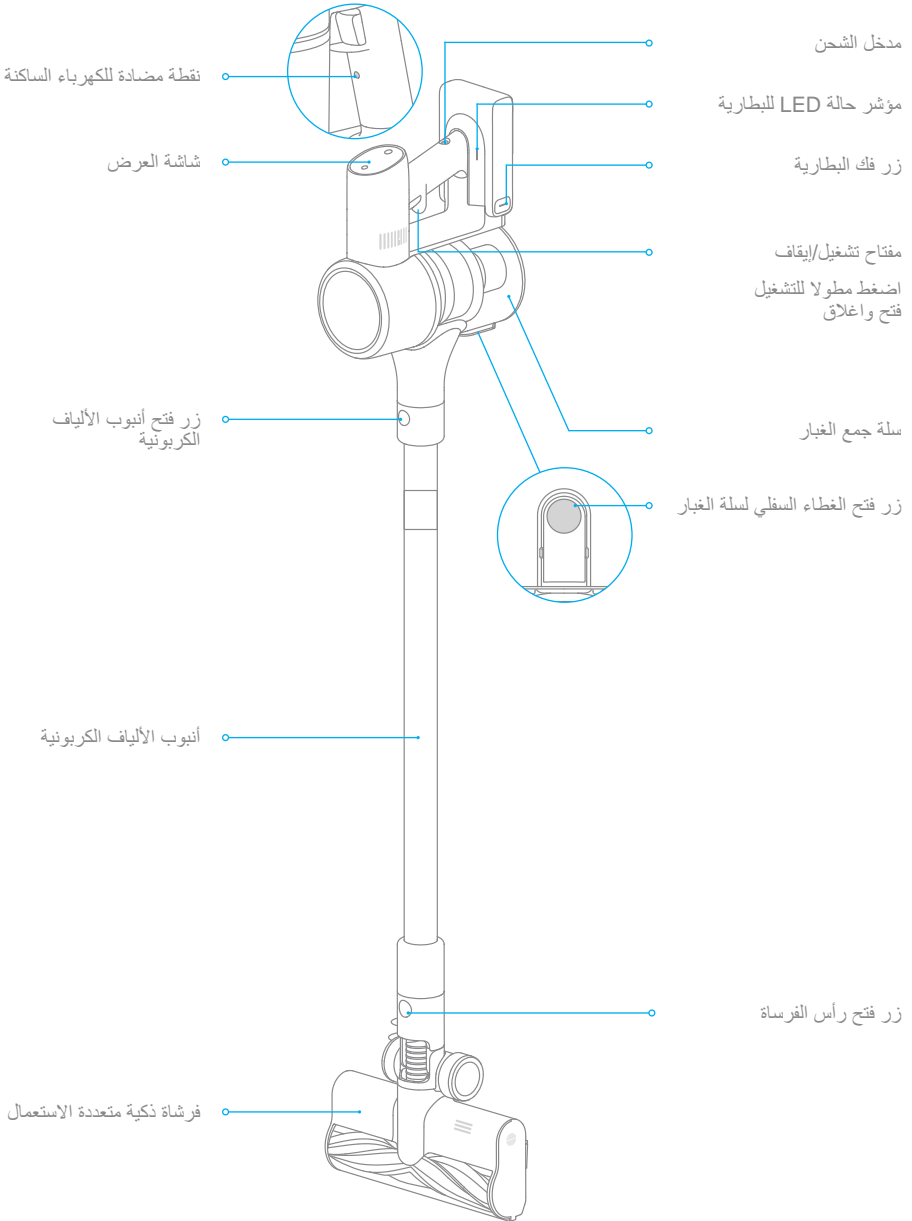
شق فوهة



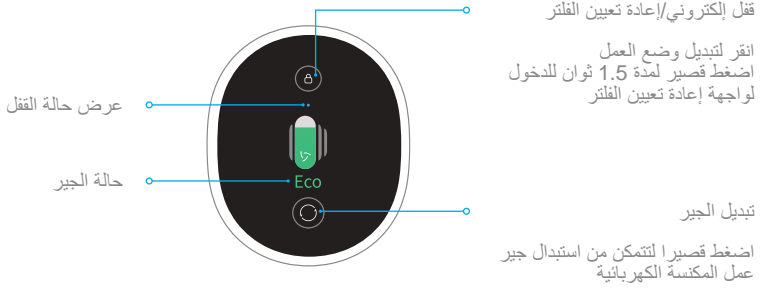
حامل شحن وتخزين 2 في 1  
(يتضمن عدد 2 برغي وعدد  
2 مقبض حائط وملصق نموذج  
التركيب)

# نظرة عامة حول المنتج

## اسم الاجزاء



## مقدمة عن وظيفة شاشة العرض

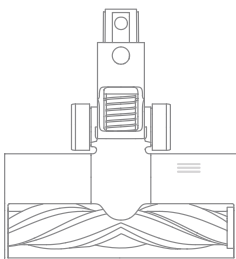


ملاحظة:

تتغير قوة المكنسة الكهربائية ولون دائرة التنظيف مع امتصاص كمية الغبار في الوقت الفعلي. وقت التشغيل المتبقي هو كمرجع فقط ، وقد تكون هناك فرق معين مع الوقت الحقيقي.

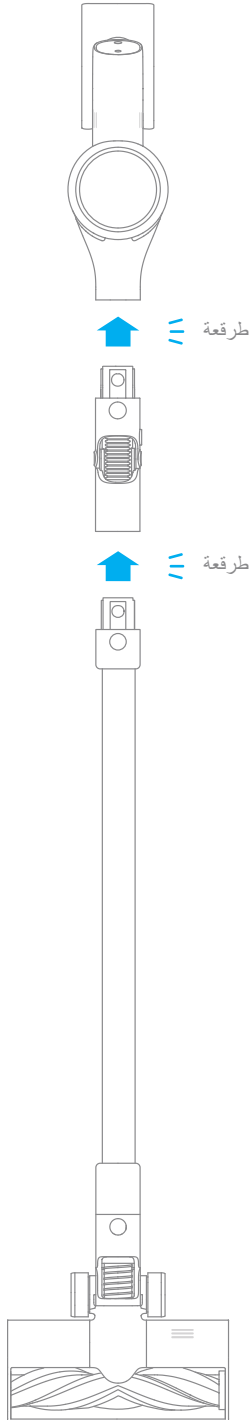
# طريقة التركيب

تركيب الجهاز الرئيسي

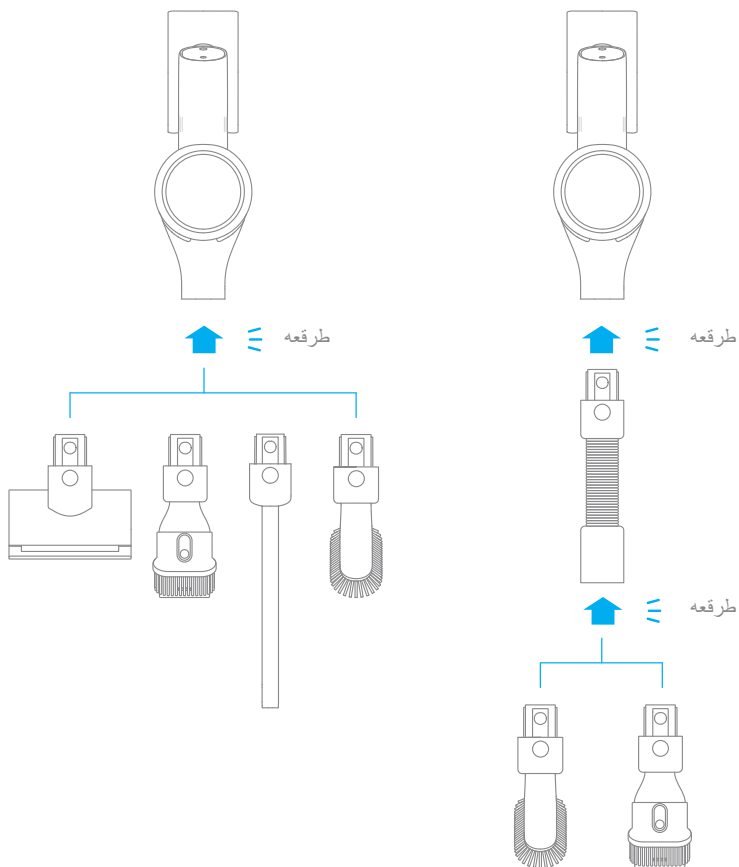




## تركيب الملحقات



## تركيب الملحقات



## تركيب حامل الشحن والتخزين 2 في 1

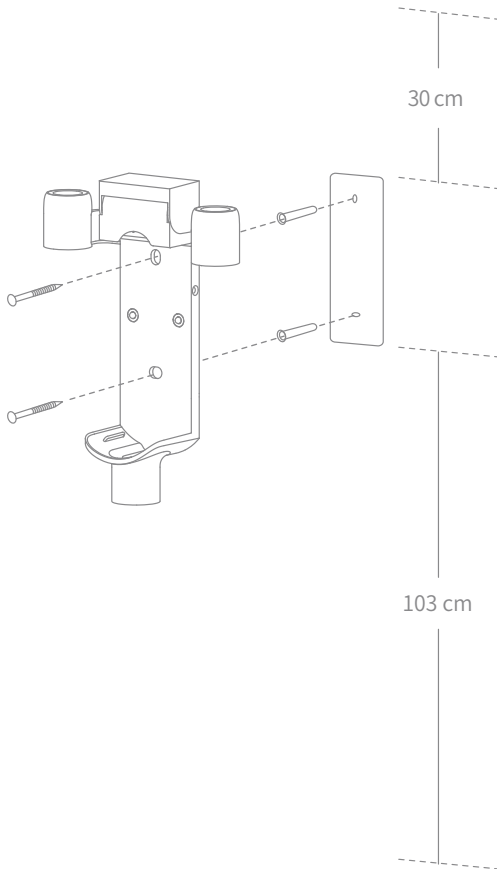
الحامل هو جزء اختياري، يمكن اختيار تركيبه وفقاً للوضع الفعلي.

نصيحة: يجب تثبيت حامل التخزين في مكان بارد وجاف مع وجود مصدر طاقة قريب، والتأكد من عدم وجود مرافق مثل الأسلاك أو الأنابيب خلف منطقة التثبيت مباشرة.

1. ضع ماصق التثبيت على الحائط واجعله موازياً للأرض. يوصى بأن يكون الطرف السفلي للماصق أكثر من 103 سم من الأرض، ويجب أن يترك الطرف العلوي مسافة 30 سم على الأقل دون أي عوائق.  
(\* 30 سم: من أجل الاحتفاظ بمساحة شحن للشراء اللاحق للطائرات الاحتياطية)

2. استخدم أداة كهربائية مع مثقاب 8 مم لحفر الثقوب وفقاً للثقوب لبثبيت في ماصقات التثبيت، وضع أنبوب التوسعة في الفتحة المحفورة.

3. قم بمحاذاة فتحة التثبيت الخاصة بدعم التخزين بفتحة التثبيت في ماصقات التثبيت، وقم بتثبيت حامل التخزين على الحائط باستخدام البراغي.



## يرجى شحن البطارية بالكامل عند الاستخدام الولي.

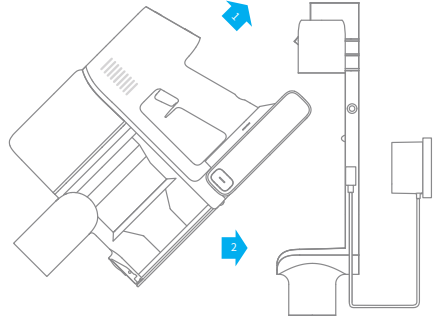
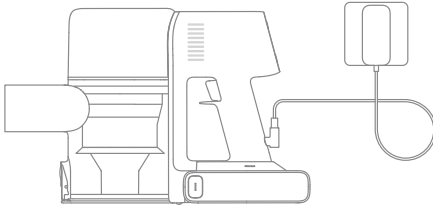
نصيحة:

مدة الشحن 4 ساعات تقريبا. ترتفع درجة حرارة البطارية بعد الاستخدام المستمر للجير الفائق، في هذا الوقت إلى زيادة وقت الشحن عند شحن البطارية لذلك يوصى بتترك الجهاز الرئيسي يبرد لمدة 30 دقيقة قبل الشحن.

## طريقة الشحن

الشحن المباشر لمحول الطاقة

الشحن على المقعد المعلق



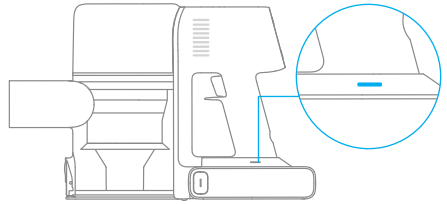
## طريقة عرض الطاقة

شاشة العرض

مؤشر حالة LED للبطارية

عند الشحن تظهر الشاشة الطاقة المتبقية بطريقة رقمية، وعندما تظهر 100 فهذا يعني أن الشحن قد اكتمل.






عند الشحن يكون مصباح المؤشر أبيض وامض؛ عند اكتمال الشحن يكون مصباح المؤشر أبيض ثابت.

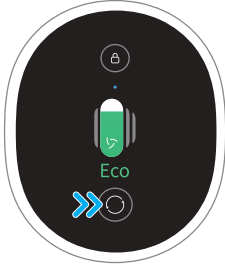


ملاحظة:

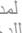

بمجرد أن يتم شحن المكنسة بالكامل، سيتم إيقاف تشغيل المؤشر بعد 5 دقائق، وسوف تدخل المكنسة في وضع توفير الطاقة.

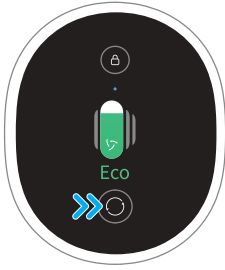
## إعدادات اللغة


اضغط لفترة طويلة على المفتاح  لمدة 3 ثوان حتى تظهر شاشة القائمة ، وانقر فوق المفتاح  للتبديل إلى خيارات "اختيار اللغة"، ومن ثم اضغط طويلاً على  لمدة 1 ثانية للدخول إلى واجهة اختيار اللغة، واضغط برفق على مفتاح  للتمرير لتحديد اللغة المطلوبة، وبعد ذلك اضغط طويلاً على المفتاح  لمدة 3 ثوان لتأكيد اللغة الحالية.



## سجل التنظيف

اضغط لفترة طويلة على المفتاح  لمدة 3 ثوان لعرض شاشة القائمة، انقر فوق المفتاح  للتبديل إلى خيار "سجل التنظيف" وبعدها اضغط طويلاً على  لمدة 1 ثانية للدخول إلى واجهة سجل التنظيف ، سوف ترى سجلات التنظيف لآخر 7 أيام.



نصيحة: إذا لم تكن هناك عملية لأكثر من 15 ثانية، فسوف تنتقل إلى الواجهة الرئيسية.  
- للخروج من شاشة القائمة ، يرجى الضغط برفق على المفتاح  لإختيار "خروج".

## إعدادات اللغة

اضغط قصيرًا على المفتاح  ، سوف تدور المكنتسة الكهربائية بين الترس الدائم والعتاد القوي / الترس الأوتوماتيكي والعتاد الفائق ، وسيتم تمييز اسم الترس المقابل على الشاشة.

تتغير قوة المكنتسة الكهربائية ولون دائرة التنظيف مع امتصاص كمية الغبار في الوقت الفعلي. كذلك بعد توصيل الفرشة المتعددة الذكية ، ستقوم المكنتسة الكهربائية تلقائيًا بتبديل قوة الشفط عند أرضيات الخشب (البلاط) والسجاد.

ملاحظة:

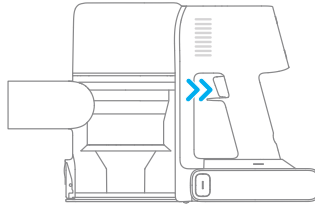
بعد توقف أي وضع تنظيف عن العمل، ستعود المكنتسة الكهربائية إلى آخر جبر تم استخدامه عند إعادة التشغيل.

## وضع التنظيف


هناك وضعان لعمل مكثسة التنظيف الكهربائية، والتي يمكن اختبارها وفقاً لاحتياجاتك الخاصة. عند تشغيل المكثسة الكهربائية، سوف تقوم بقياس كمية الغبار الممتص في غضون ثانية واحدة. أثناء عملية التنظيف، أثناء عملية التنظيف سيظهر سير عملية التنظيف على منحنى مراقبة كمية الغبار على الشاشة في الوقت الفعلي.

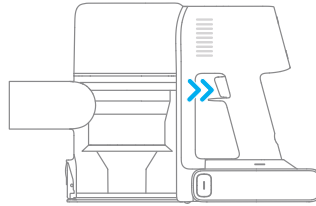
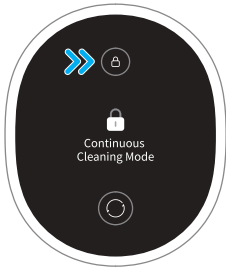
### الطريقة الأولى: وضع العمل المنقطع

اضغط مطولاً على مفتاح الجهاز الرئيسي لبدء العمل، وعند الإيقاف أعد المفتاح لوضعه الطبيعي.



### الطريقة الثانية: وضع العمل المستمر

انقر فوق مفتاح  للتبديل إلى وضع العمل المستمر واضغط قصيراً على مفتاح الجهاز الرئيسي، وستستمر الجهاز الرئيسي في العمل. يمكن أن يؤدي استخدام وظيفة القفل الإلكتروني إلى تحرير أصابعك وتجنب إجهاد الإصبع الناتج عن الضغط باستمرار على المفتاح طوال الوقت.



ملاحظة:

في وضع التشغيل هذا، يمكن إيقاف العملية مؤقتاً أو إعادة تشغيلها بالضغط لفترة قصيرة على المفتاح حيث سيقى تشغيل الجهاز الرئيسي على وضعة. إذا كنت بحاجة إلى الخروج من وضع العمل المستمر، فانقر فوق مفتاح  مرة أخرى.

## مجال استخدام الملحقات

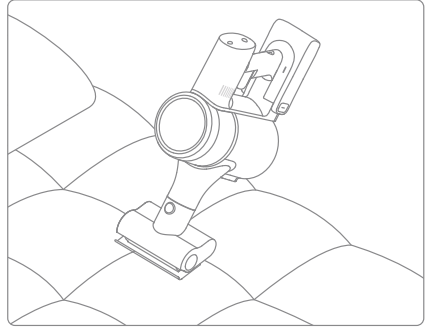
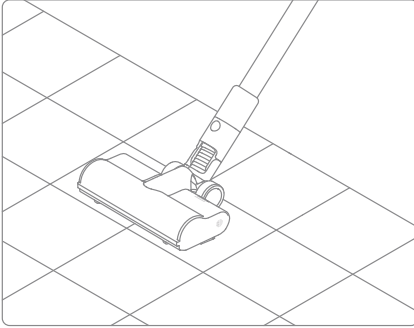
### الفرشاة الذكية متعددة الاستعمال

وهي مناسبة لتنظيف أنواع الاسطح التالية: الرخام، السيراميك، السجاد قصير الشعر، الخ، عند وضع الجير الإيوماتيكي تقوم المكنسة الكهربائية تلقائيًا بضبط قوة الشفط وفقًا لأنواع لاسطح الارضيات المختلفة.

ملاحظة: يمكن تركيب الفرشاة الذكية متعددة الاستعمال بالجهاز الرئيسي واستخدامها.

### فرشاة كهربائية صغيرة

لتنظيف الأوساخ، وشعر الحيوانات الأليفة، وغيرها من الحطام الصعب من الأرائك، والفرش، والأسطح النسيجية الأخرى. ملاحظة: لا يُنصح باستخدامها على سطح مواد سهلة التمزق وعرضة للخدش (مثل الحرير، الخ).

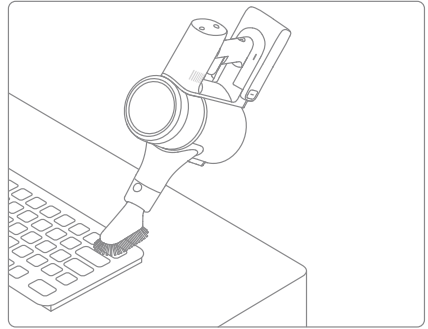
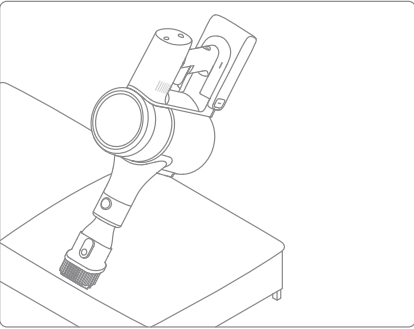


### فوهة فرشاة 2 في 1

مناسبة لتنظيف غبار اسطح الستائر ولوحات المفاتيح والأسقف والسيارات وطاولات القهوة الخ.

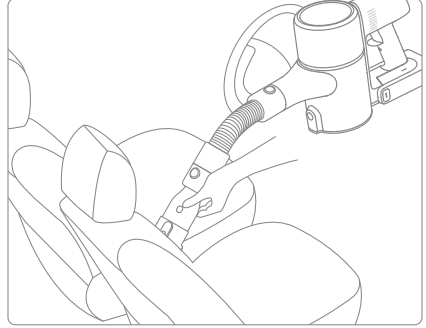
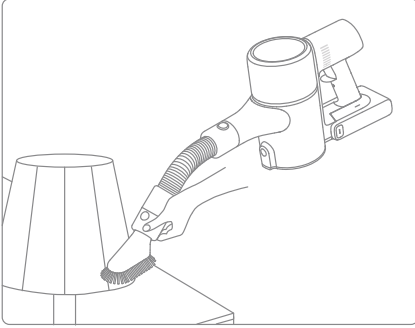
### فرشاة تنظيف الغبار الناعمة

تناسب تنظيف أسطح المنتجات الهشة مثل شاشات LCD ولوحات المفاتيح وأغطية المصابيح والستائر والنوافذ وما إلى ذلك.



## أنبوب ناعم ممتد

تشبه إلى حد كبير فرشاة تنظيف الغبار الناعمة أو الفرشاة المزوجة، وهي مناسبة لتنظيف الزوايا التي يصعب الوصول إليها مثل الأدرج والديكور الداخلي للسيارة والأسفل الأريكات.

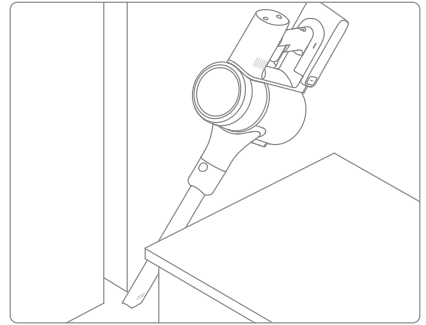
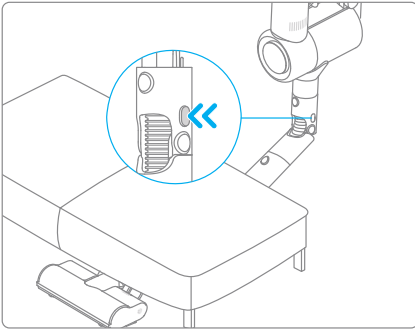


## رأس التبديل السفلي

تصل للمناطق السفلية بنقرة واحدة ، لتلبية تنظيف الجزء السفلي من الأثاث المنخفض مثل السريرات والأريكات.

## رأس تنظيف الفجوات الضيقة المضي

يبعث أنبوب ضوء LED الضوء في جميع أنحاء المنطقة، ويمكن أن تتعمق فتحة الأنبوب النحيف في الفجوات الضيقة، وتضيء وتمتص الغبار بدقة في المساحة المزدحمة.



## ملاحظة:

قد يتوقف المنتج تلقائياً عند توقف أي جزء دوار، بعد إزالة جميع الأجسام الغريبة العالقة، يمكنك الاستمرار في استخدامه. عند ارتفاع درجة حرارة البطارية، ستتوقف المكبسة الكهربائية تلقائياً. انتظر حتى تعود درجة حرارة البطارية إلى وضعها الطبيعي، ثم استأنف الاستخدام.



## احتياطات الصيانة

1. استخدم دائماً قطع الغيار الأصلية لإبقاء الضمان سارياً.
2. في حالة انسداد الفلتر أو الفوهة، ستوقف المكينة عن العمل بعد فترة وجيزة من تشغيلها، ولاستعادة العمل، قم بتنظيف الفلتر أو الفوهة.
3. إذا لن يتم استخدام المكينة الكهربائية لفترة طويلة، قم بشحنها بالكامل وفصلها عن الطاقة ثم تخزينها في بيئة باردة منخفضة الرطوبة بعيداً عن أشعة الشمس المباشرة. لتجنب شحن البطارية المفرط، أعد شحن المكينة الكهربائية مرة واحدة على الأقل كل ثلاثة أشهر.

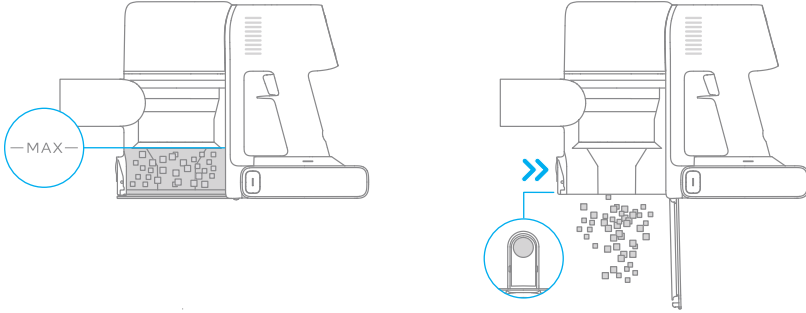
## تنظيف الجهاز الرئيسي

امسح الجهاز الرئيسي باستخدام قطعة قماش جافة وناعمة.

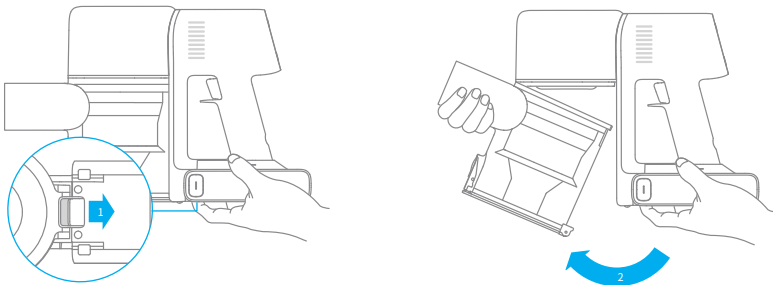
## نظف سلة جمع الغبار والفلتر ومكونات النظام المخروطي

ستنخفض قدرة تنظيف المكينة الكهربائية عند امتلاء سلة جمع الغبار إلى علامة الحد الأقصى "MAX". لاستعادة القدرة على الأداء، قم بتفريغ سلة الغبار في الوقت المناسب. قبل تفريغ السلة، تأكد من فصل المكينة الكهربائية عن مصدر الطاقة ولا تضغط على زر الطاقة بها.

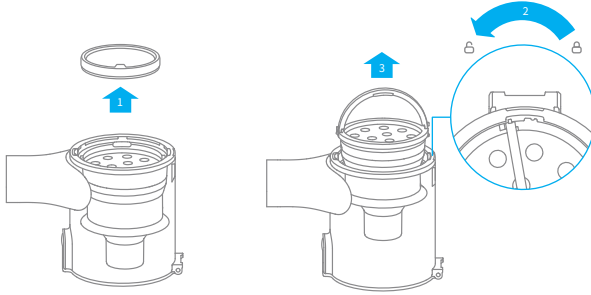
1. اضغط على زر فتح الغطاء السفلي لسلة الغبار في اتجاه السهم لفتح الغطاء السفلي لسلة الغبار وتفريغ الغبار من سلة الغبار.



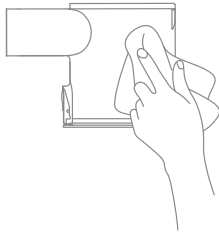
2. كما هو مبين في الشكل 1، اسحب مقفاح إزالة سلة الغبار أسفل حاوية الغبار في اتجاه السهم وقم بإزالة سلة الغبار في نفس الوقت، كما هو موضح في الشكل 2.



3. أخرج المرشح الأولي أولاً، ثم اسحب مقبض المكون لتدويره عكس اتجاه عقارب الساعة إلى موضع الإيقاف، وأخرج مكون النظام المخروطي للأعلى.



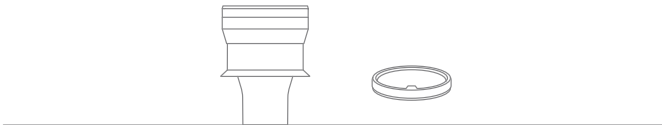
4. يمكنك استخدام قطعة قماش مبللة لتنظيف برميل الغبار.



يحتوي برميل الغبار على عناصر كهربائية يرجى عدم استخدام الماء أثناء التنظيف



5. اشطف مكونات الفلتر الأمامي ومجموعة نظام الدوران بالماء حتى تصبح نظيفة. بعد الانتهاء، اتركه يجف لمدة 24 ساعة على الأقل لضمان التجفيف الكامل.

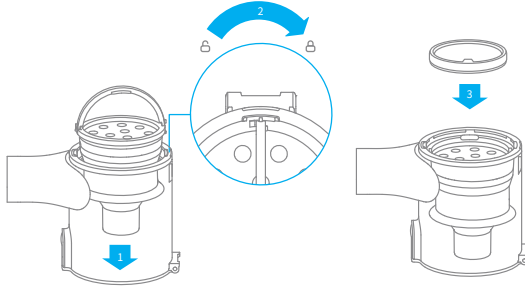


مكونات النظام المخروطي الفلتر الأولي

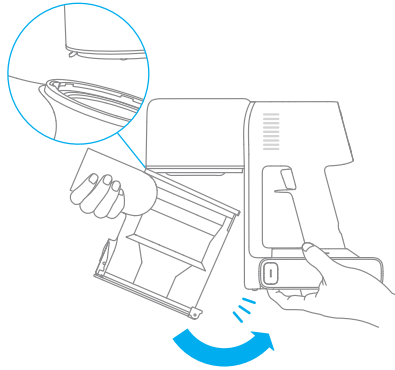
ملاحظة:  
يوصى بغسل الفلتر الأولي على الأقل مرة واحدة كل 3 أشهر ومكونات النظام المخروطي مرة واحدة على الأقل كل 6 أشهر.

## تركيب سلة جمع الغبار والفلتر الأولي ومكونات النظام المخروطي

1. قم بادخال مكونات النظام المخروطي عموديًا في سلة جمع الغبار، وتأكد من أن مقبض مكونات النظام المخروطي يصطف مع الفتحة الموجودة على الجانب الأيسر من سلة جمع الغبار. لف المقبض في اتجاه عقارب الساعة حتى يُقفل، ثم اقلب المقبض لأسفل.
2. ضع الفلتر الأولي بحيث يكون جانبه الأمامي مواجهًا لأعلى بمكونات النظام المخروطي.



3. قم بإمالة سلة جمع الغبار قليلاً حتى تتوافق فتحتها مع المشبك الموجود على المكتسة الكهربائية. ثم ادفع سلة جمع الغبار برفق حتى تثبت في مكانها.

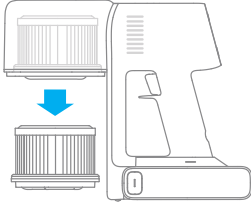


# العناية والصيانة

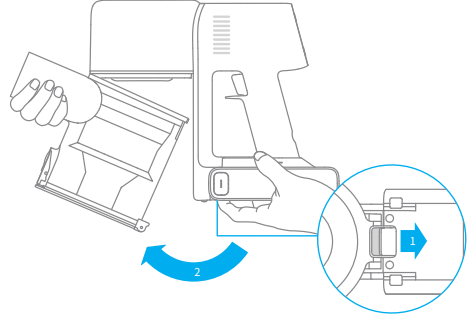
## تنظيف مرشح الداخلي

ينصح بغسلة مرة كل 4-6 أشهر

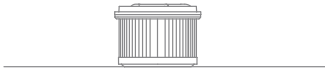
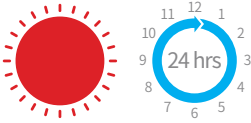
2. اسحب لأسفل في الاتجاه الموضح لإزالة مرشح الداخلي من الجهاز الرئيسي.



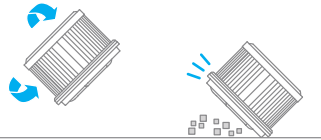
1. أزل سلة جمع الغبار كما هو مبين في الصورة.



4. قم بتعرض فلتر الداخلي للهواء لمدة 24 ساعة على الأقل لضمان التجفيف الكامل.



3. قم بغسل فلتر بالماء النظيف، قم بتدوير مرشح بزواوية 360 درجة للتأكد من إزالة الغبار الموجود في فجوات فلتر . اضغط على الفلتر برفق عدة مرات لإزالة كل الغبار.



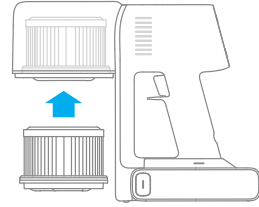
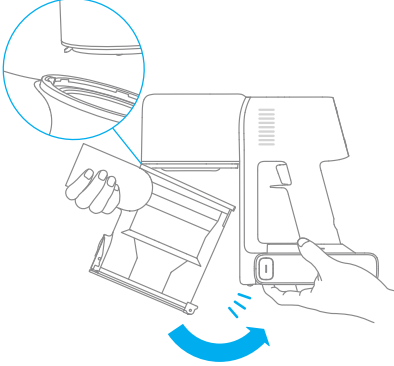
ملاحظة:

يرجى الغسل بالماء النظيف، وعدم استخدام أي منظف .  
تجنب استخدام الفرشاة أو الأصابع لتنظيف فلتر .

## تركيب فلتر الداخلي

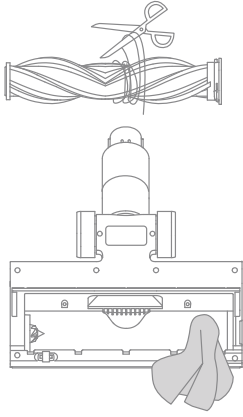
2. قم بإعادة تركيب سلة جمع الغبار.

1. قم بتركيب فلتر الداخلي مرة أخرى في الجهاز الرئيسي كما هو موضح في الشكل واضغط عليه برفق.

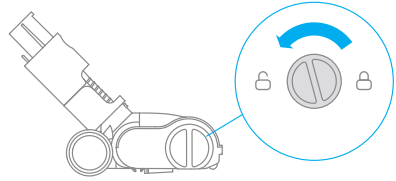


## تنظيف الفرشاة الذكية متعددة الاستعمال

2. استخدم المقص لقطع والتقاط أي شعر أو مخلفات متشابكة حول الفرشاة الدوارة. أمسح أي غبار زائد من الفتحة ونظف الغطاء البلاستيك باستخدام قطعة قماش جافة أو منشفة ورقية.

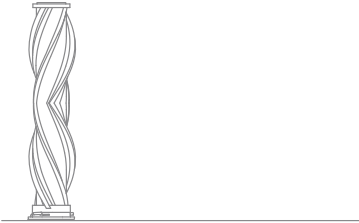
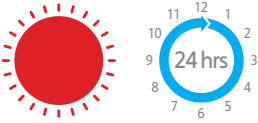


1. قم بآدارة القفل عكس اتجاه عقارب الساعة إلى موضع التوقف كما هو موضح في الشكل، ثم أخرج فرشاة الدوارة من فرشاة الأرضية.



4. بعد الغسيل، دع الفرشاة الدوارة تجف جيدًا عن طريق وضعها واقفة في منطقة جيدة التهوية لمدة 24 ساعة على الأقل.

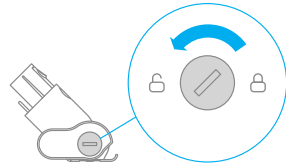
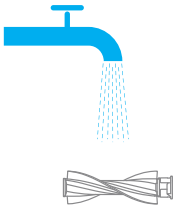
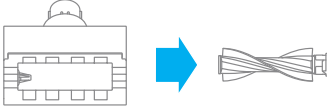
3. عندما تكون متسخة، اشطف رأس الفرشاة بالماء النظيف حتى تصبح نظيفة.



## تنظيف الفرشاة الكهربائية الصغيرة

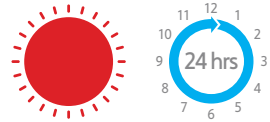
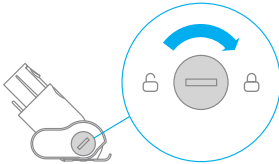
2. بعد فتح الفرشاة الدوارة، اخلعها من الفرشاة الكهربائية الصغيرة، ثم قم بشطف وتنظيف الفرشاة الدوارة.

1. استخدم عملة معدنية لتدوير القفل عكس اتجاه عقارب الساعة حتى تسمع صوت نقرة.



4. بعد التأكد من جفاف الفرشاة الدوارة تمامًا، قم بتجميعها بترتيب عكسي للتفكيك.

3. بعد الغسيل، دع الفرشاة الدوارة تجف جيدًا عن طريق وضعها واقفة في منطقة جيدة التهوية لمدة 24 ساعة على الأقل.

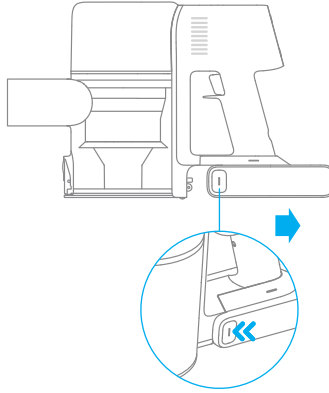


## علبة البطارية

تحتوي المكنسة الكهربائية على علبة بطارية ليثيوم أيون القابلة للإزالة وإعادة الشحن والتي تحتوي على عدد محدود من دورات إعادة الشحن. بعد الاستخدام الممتد، قد لا تحتفظ علبة البطارية بشحنة واحدة. وفي حال حدوث هذا الأمر، تكون علبة البطارية قد وصلت إلى نهاية دورة عمرها التشغيلي وتحتاج إلى استبدالها.

1. اضغط لأسفل على زر تحرير علبة البطارية واسحب البطارية إلى اليمين، كما هو موضح، لإزالتها.

2. ثبت علبة البطارية الجديدة.





المكنسة			
VTT1	الطراز	34تلفولت===	جهد الشحن
550 واط	الطاقة المقدره	29.6 فولت===	الجهد المقدر
4 ساعات تقريباً	مدة الشحن	2900 مللي أمبير/ساعة	السعة الاستيعابية الطبيعية
فرشاة كهربائية صغيرة			
VPA3			الطراز
20 واط	الطاقة المقدره	29.6 فولت===	الجهد المقدر
فرشاة ذكية متعددة الاستعمال			
ASF5			الطراز
40 واط	الطاقة المقدره	29.6 فولت===	الجهد المقدر
محول طاقة			
ZD024M340090EU/ ZD024M340090AU	الطراز	87.01 %	متوسط الكفاءة النشطة
50/60 هرتز 0.8 أمبير	إدخال المقدر	77.01 %	الكفاءة عن الحمل المنخفضة (10%)
34 فولت=== 0.9 أمبير	إخراج المقدر	0.1 واط	استهلاك الطاقة تبون حمولة
علبة بطارية ليثيوم أيون القابلة للشحن			
P2033-8S1P-PAA	طراز البطارية	2900 مللي أمبير/ساعة	السعة الاستيعابية الطبيعية
29.6 فولت===	الجهد السمي	81.4 واط/الساعة	الطاقة

تحتوي علبة بطارية ليثيوم أيون على مواد خطرة على البيئة. قبل التخلص من المكنسة الكهربائية، يرجى أولاً إزالة علبة البطارية، ثم التخلص منها أو إعادة تدويرها وفقاً للقوانين واللوائح المحلية للبلد أو المنطقة التي تستخدم فيها.

عندما لا تعمل المكنسة الكهربائية بشكل طبيعي، يرجى الرجوع إلى الجدول أدناه للتعامل مع المشكلة.

الحلول	السبب المحتمل	أعطال شائعة
يرجى شحن البطارية بالكامل قبل الاستخدام.	بطارية المكنسة فارغة أو منخفضة.	المكنسة الكهربائية لا تعمل.
تنظيف قناة أو مدخل شفط الغبار وإعادة التشغيل بعد التبريد.	حماية تلقائية ناتجة عن ارتفاع درجة الحرارة بسبب الانسداد.	
تنظيف قناة أو مدخل شفط الغبار.	انسداد قناة أو مدخل شفط الهواء.	
أفرغ السلة من الغبار ونظف الفلتر.	سلة الغبار ممتلئة، الفلتر مليء بالغبار ومسدود.	انخفضت قوة الشفط.
نظف انسداد الملحقات.	انسداد الملحقات.	
قم بتنظيف الترسبات الموجودة في مدخل الشفط الرئيسي وأنبوب الألياف الكربونية.	انسداد مدخل الشفط الرئيسي أو أنبوب الألياف الكربونية.	وجود صوت غريب عند تشغيل المحرك.
تأكد من محول الطاقة موصل بشكل صحيح.	الجهاز الرئيسي لا يتصل جيدا بمحول الطاقة.	لا يضيء مؤشر البطارية أثناء الشحن.
يمكن استخدام المكنسة الكهربائية في الوضع الطبيعي.	البطارية مشحونة بالكامل ودخلت في وضع السكون.	
إذا استمرت المشكلة بعد استبعاد الاحتمالين المذكورين أعلاه.	إذا استمرت المشكلة بعد استبعاد الاحتمالين المذكورين أعلاه.	
يرجى الانتظار حتى تعود درجة حرارة البطارية إلى وضعها الطبيعي قبل الشحن.	درجة حرارة البطارية مرتفعة أو منخفضة للغاية.	البطارية تتشحن ببطء.

عندما تعمل المكنسة الكهربائية بشكل غير طبيعي، ستعرض الشاشة معلومات غير طبيعية، يرجى قراءة محتوى الشاشة ودمج جدول استكشاف الأخطاء وإصلاحها للتعامل مع الموقف غير الطبيعي.

الحلول	تنبيه عن الاعطال	أيقونة الاعطال
يرجى الانتظار حتى تصبح درجة حرارة البطارية طبيعية والاستمرار في استخدامها.	ارتفاع حرارة البطارية	
راجع قسم [تنظيف الفرشاة الذكية متعددة الاستعمال] للصيانة، وتنظيف مواد الألياف والشعر المتشابك على فرشاة التنظيف الدوارة.	الفرشاة الإسطوانية عالقة	
تحقق مما إذا كان دلو الغبار، أنبوب الألياف الكربونية، فرشاة الاستعمال المتعدد الذكية تعرض للانسداد.	انسداد قناة الهواء	
يرجى الاتصال بخدمة ما بعد البيع للإصلاح.	عطل	
أعد شحنها في وقت قريب.	البطارية منخفضة	
أعد شحنها في وقت قريب.	نفاد طاقة البطارية	
يرجى استبدال الفلتر في الوقت المناسب.	الفلتر شارف على منتهى	
تأكد من تثبيت فلتر تنقية جسيمات الهواء بكفاءة عالية والفلتر الأولي بطريقة صحيحة.	تم إزالة الفلتر	
يرجى استبدال الفلتر في الوقت المناسب. بعد استبدال الفلتر، اضغط مطولاً على الزر لمدة 1.5 ثانية للدخول إلى شاشة العد التنزلي لإعادة تعيين الفلتر، واستمر في الضغط على الزر لمدة 5 ثوانٍ، وانتظر حتى تظهر الشاشة ١، للإشارة إلى نجاح إعادة التعيين.	استبدال الفلتر	

למניעת תאונות לרבות מכת חשמל או שריפה הנגרמות כתוצאה משימוש לא נכון, אנא קראו מדריך זה בקפידה טרם השימוש במוצר ושמרו אותו אצלכם לעיון בעתיד.

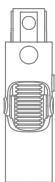
## תוחיטב תוארוה

- מוצר זה מותר לשימוש על ידי ילדים בני 8 ומעלה ועל ידי אנשים הסובלים מקלות גופנית, תחושתית או שכלית, או בעלי ניסיון מוגבל או ידע מצומצם במידה והם נמצאים תחת השגחת הורה או מישהו ששומר עליהם וזאת על מנת להבטיח הפעלה בטוחה ולמנוע סכנות מכל סוג שהוא. פעולות הניקיון והתחזוקה לא יבוצעו על ידי ילדים ללא השגחה.
- שואב האבק אינו צעצוע. חל איסור על ילדים לשחק עם המוצר או להפעילו. אנא נקטו זהירות בעת השימוש בשואב האבק בקרבת ילדים. אין לאפשר לילדים לנקות או לבצע פעולות תחזוקה של שואב האבק אלא אם כן יש עליהם השגחה מצד הורה או אדם ששומר עליהם.
- אין לעשות שימוש בשואב האבק שטח פתוח או על גבי משטחים רטובים. השתמשו בשואב האבק רק על גבי משטחים יבשים במקומות סגורים. אין לגעת בתקע החשמל או בכל חלק אחר של שואב האבק בידיים רטובות.
- על מנת למנוע סכנת ההתלקחות, הפיצוץ או הפגיעה, וודאו כי סוללת הליתיום ומתאם הטעינה אינם פגומים טרם השימוש. אין לעשות שימוש בשואב האבק במידה וסוללת הליתיום או המטען פגומים.
- אין לנקות את המברשת החכמה הראשית, המברשת נגד קרדית אבק החשמלי, הסוללה, החלקים של המוט או את גוף המכשיר עצמו על ידי טבילה במים או כל חומר ניקוי אחר. לאחר ניקוי שגרתי יש לוודא שכלל המסננים יבשים.
- בזמן שמנקים את המברשת החכמה המרכזית יש לוודא שהמכשיר כבוי על מנת למנוע פגיעה במשתמש. אין להשתמש במכשיר בזמן שהמברשת המרכזית, מיכל האבק והמסננים אינם מותקנים היטב.
- יש להתשמש ככל האפשר במטען המגיע עם המוצר. אין לעשות שימוש במתאם שאינו רשמי, כיוון שהדבר עשוי לגרום להתלקחות של סוללת הליתיום.
- אין לעשות שימוש בשואב האבק ל שאיבת נוזלים מתלקחים או דליקים, כגון בנדין או חומר מלבין, אמוניה, תכשירי ניקוי לניקוז תעלות או נוזלים אחרים.
- אין לעשות שימוש בשואב האבק לשאיבת חלקיקים של קיר גבס, אפר כגון אפר של קמין או חומרים המעלים עשן או בוערים כגון פחם, בדלי סיגריות או גפרורים.
- יש לבצע סריקה של המשטח המיועד לשאיבה, ובמקרה שמוצאים חתיכות גדולות של נייר, פלסטיק או דברים חדים (כגון זכוכית, מסמרים, ברגים או מטבעות, אשר עשויים לגרום נזק למכונה). או כל דבר שגדול מפתח השאיבה, יש לפנותו לפני השאיבה על מנת למנוע חסימה של המכשיר.
- הרחיקו עשרות, בגדים רפויים, אצבעות וחלקי גוף אחרים מפתחים וחלקים ניידים של שואב האבק. אין לכוון את הצינור, מטה או כלים לכיוון העיניים או האוזניים שלכם או להכניס אותם לתוך הפה שלכם.
- אין להכניס שום חפץ לתוך פתחי שואב האבק. אין לעשות שימוש בשואב האבק עם פתחים חסומים. הרחיקו אבק, מוך, עשרות או פריטים אחרים שעשויים לצמצם את זרימת האוויר.
- אין להשעין את שואב האבק נגד כיסא, שולחן או משטח לא יציב אחר, כיוון שהדבר עשוי לגרום נזק למכונה או לפגיעה אישית. במידה ושואב האבק ניזוק בעקבות הפלה שלו או שיש בו תקלה מכל סוג אחר, אנא צרו קשר עם מחלקת השירות המוסמכת שלנו. לעולם אין לנסות ולפרק את המכשיר בעצמכם.
- יש להקפיד לנהוג בהתאם לכל ההוראות המופיעות במדריך זה המתקשרות לטעינה חוזרת של הסוללה. כשל בטעינה נכונה של הסוללה בטווח הטמפרטורה המצוין עלול לגרום נזק לסוללה.

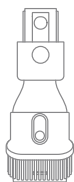
- וודאו כי שואב האבק מנותק ממקור החשמל כאשר אינו בשימוש למשך פרקי זמן ארוכים כמו גם טרם ביצוע פעולות תחזוקה או תיקון מכל סוג שהוא.
- אנא נקטו זהירות יתרה בעת השימוש בשואב האבק לניקוי מדרגות.
- אין להתקין, להטעין או לעשות שימוש במוצר זהבשטחים פתוחים, בחדרי אמבטיה או סביב בריכה.
- אזהרה מפני סכנת התלקחות: אין לשים כל סוג שהוא של חומר ריחני לתוך מסנן שואב האבק. מוצרים מהסוג הזה ידועים כמכילים חומרים כימיים מתלקחים שעשויים לגרום להתלקחות של שואב האבק.
- מוצר זה נועד לשימוש ביתי בלבד.
- השתמש רק במטען המקורי (דגם, ZD024M340090EU/ZD024M340090AU) כדי למנוע סכנת התלקחות של סוללת הליתיום-יון.
- השתמש רק בסוללה המאושרת (דגם P2033-8S1P-PAA) כדי למנוע סכנת התלקחות של סוללת הליתיום-יון.
- אין להשתמש ולאחסן בסביבות חמות או קרות במיוחד (מתחת ל- $0^{\circ}\text{C}/32^{\circ}\text{C}$  פרנהייט ומעל  $40^{\circ}\text{C}/104^{\circ}\text{C}$  פרנהייט). בשימוש בסוללה המקורית יש להטעין בטמפרטורת טעינה של בין  $0^{\circ}\text{C}$  ל- $40^{\circ}\text{C}$ .

וודאו כי שואב האבק מנותק ממקור החשמל כאשר אינו בשימוש למשך פרקי זמן ארוכים כמו גם טרם ביצוע לעיון במדריך מקוון מפורט, בקר בכתובת <https://www.dreame-technology.com/pages/user-manuals-and-faqs>

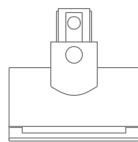
## רשימת אביזרים



מתאם חלק תחתון

פי צינור מברשת 2  
בתוך 1

מברשת רכה לאבק



מברשת מיני חשמלית



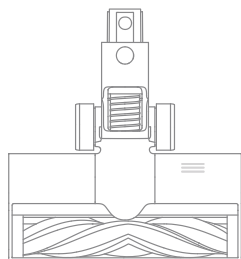
צינור סיבי פחמן



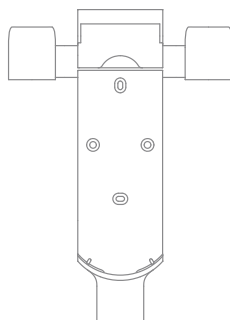
צינור הארכה



מתאם מתח

מברשת חכמה לניקוי  
רצפות

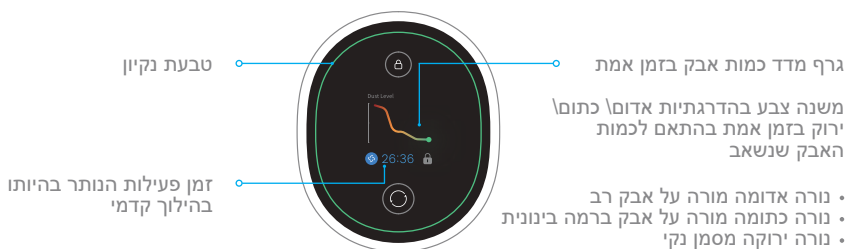
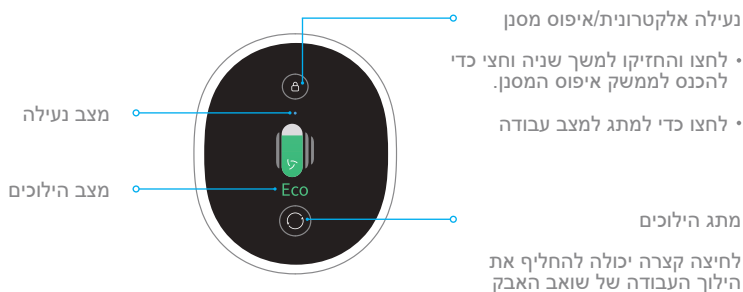
פי צינור בקיע צר

מתקן לטעינה ולאחסנה 2 בתוך 1  
(כולל ברגים X2, תקעים לקיר X2)

תזכורת: תמונות המפרט מיועדות לעיון בלבד, על המראה בפועל מבוסס על המוצר עצמו.



## הכרת הפונקציות של מסך התצוגה.



שימו לב:

צבע טבעת הקיבולת ונקיון של שואב האבק ישתנה על פי כמותהאבק שנשאב בזמן אמת. זמן הפעולה הנותרת הינה להמחשה בלבד, יתכן בהחלט הפרש עם הזמן בפועל.



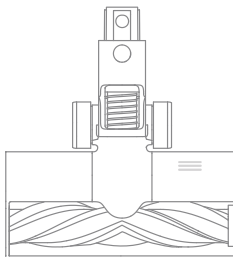
## תרשים להתקנת שואב האבק והאבזרים



הכניסו עד להקלקה במקום



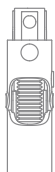
הכניסו עד להקלקה במקום



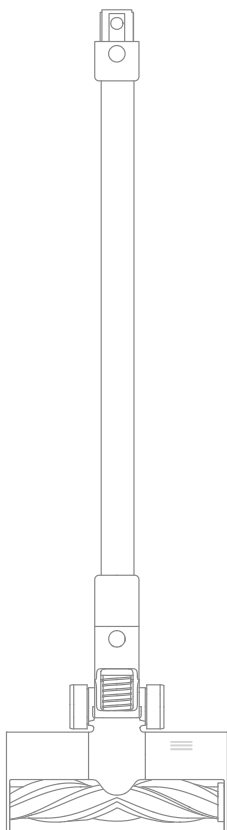
## הוספת אביזרים



הכניסו עד להקלקה במקום



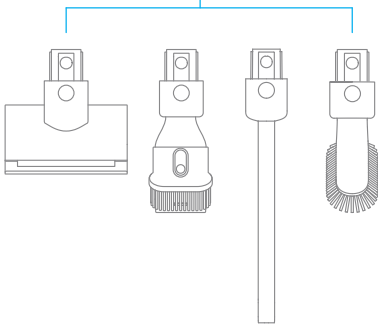
הכניסו עד להקלקה במקום



הוספת אביזרים



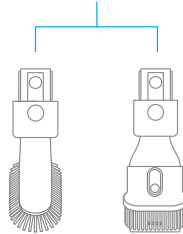
↑ הכניסו עד להקלקה במקום



↑ הכניסו עד להקלקה במקום



↑ הכניסו עד להקלקה במקום



## מתקן הטעינה והאחסנה 2 בתוך 1

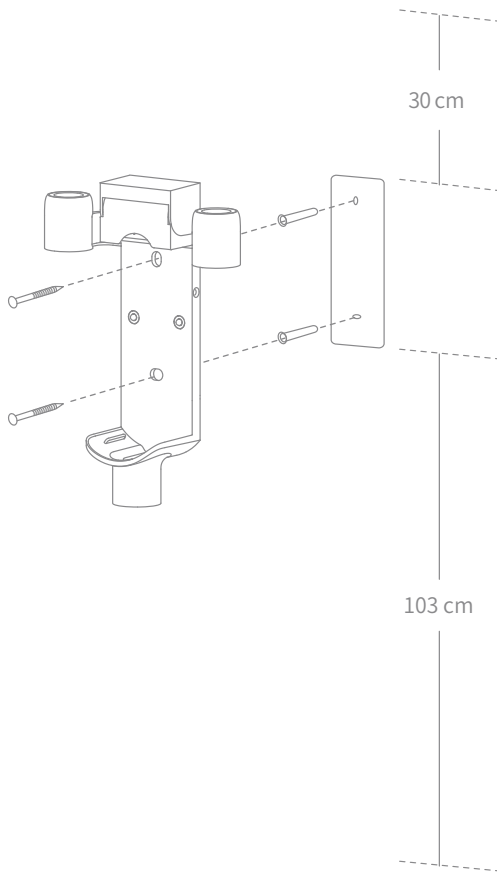
(כן מתקן הטעינה והאחסנה 2 בתוך 1 נחשב לאבזר אופציונלי, באפשרותכם להתקין אותו על סמך הדרישות שלכם.)

הערה: יש להתקין את מתקן האחסון במקום קריר ויבש הסמוך למקור חשמל. יש לוודא שאין קבלי חשמל או צינורות העוברים מאחורי מקום ההתקנה.

1. הדביקו את מדבקת קביעת המקום על הקיר כך שהוא שומר על איזון עם הרצפה. מומלץ שתחתית המדבקה תהיה במרחק הגדול מ 103 ס"מ מהרצפה, ושמעל המדבקה תהיה לפחות 30 ס"מ\* של איזור פתוח ללא עצמים מפריעים. (עומק \*30cm - נועד להשאיר מקום לסוללה רזרבית הניתנת לרכישה בנפרד.)

2. השתמשו בקדיחה עוצמתית עם מקדח 8 מילימטרים כדי לקדוח חור לכל חור מסומן על מדבקת תבנית המשענת, ואז הכניסו שקע לכל חור.

3. תיישרו את החורים על הכן מתקן עם החורים שעל הקיר. הדקו אותם אל הקיר עם הברגים המצורפים.



## הטעינו את שואב האבק עד הסוף טרם השימוש בו בפעם הראשונה.

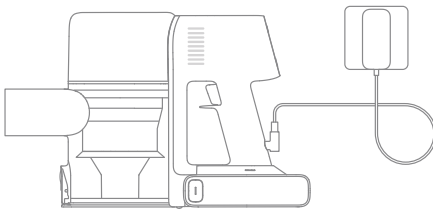
הערה:

זמן הטעינה הוא כ-4 שעות.

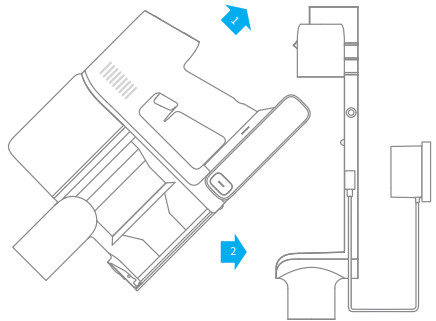
שאיבת אבק במצב טורבו למשך פרק זמן ממושך יביא להתחממות של הסוללה, מה שיגדיל את זמן הטעינה. אפשרו לשואב להתקרר למשך 30 דקות לפני טעינתו.

### צורות טעינה

טעינת שואב האבק עם המטען



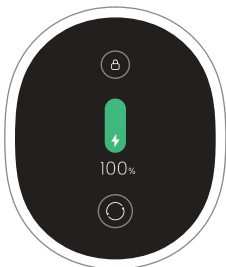
טעינת שואב האבק עם עמדת ההטענה



### צורות תצוגת מצב סוללה

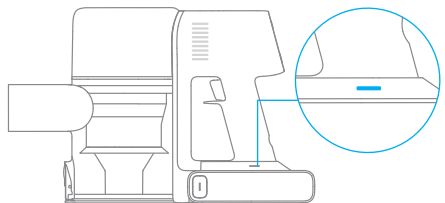
מסך תצוגה

מסך התצוגה מציג את מצב הטעינה באחוזים הדיגיטליים בעת טעינה, והטעינה תושלם כשמוצג 100%.



נורת חייווי מצב הסוללה






בזמן הטעינה, נורת החייווי המבהבת בלבן: בסיום הטעינה נורת החייווי מאירה בלבן קבוע.

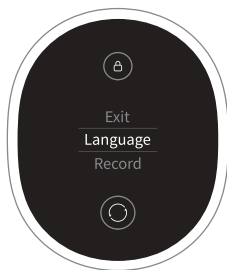
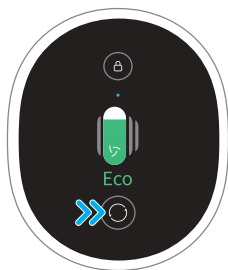


שימו לב:




ברגע ששואב האבק טעון במלואו, החייווי ייכבה לאחר 5 דקות, ושואב האבק ייכנס למצב של חיסכון בחשמל.

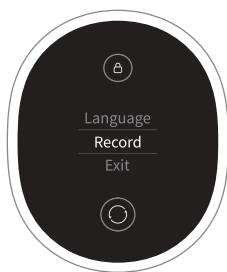
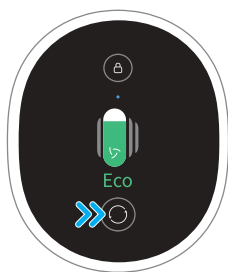
## הגדרת שפה

לחצו לחיצה ארוכה על מקש  למשך 3 שניות עד שמסך התפריט מופיע, לחצו לחיצה בודדת על  עד שתגיעו לאופציית "בחירת שפה", לחצו לחיצה ארוכה של שניה אחת על  נכנסת לממשק בחירת השפות, על פי הצורך לחצו לחיצה קצרה על מקש  כדי לגלוז לבחירתכם, לחצו לחיצה ארוכה על מקש  למשך 3 שניות לאשר את השפה הנבחרת.



## היסטוריית נקינות

לחצו לחיצה ארוכה על מקש  למשך 3 שניות עד שמסך התפריט מופיע, לחצו לחיצה בודדת על  עד שתגיעו לאופציית "היסטוריית נקינות" ולחצו לחיצה ארוכה של שניה על  להכנס לממשק היסטוריית נקינות. שם תוכלו לראות את היסטוריית הנקינות ב 7- ימים האחרונים.



הערה:

המסך יחזור לדרך הבית אם לא תבצע פעולה תוך חמש עשרה שניות. אם תרצו לצאת ממסך התפריט, לחצו בעדינות על מקש  ובחרו באופצייה "יציאה".

## מתג הילוכים

לחץ לחיצה קצרה על הכפתור  והשואב יעבור בין מצב אוטומטי, מצב עבודה ממושכת, מצב עבודה חזק, ומצב עבודה טורבו, ועל גבי המסך יופיע באופן מואר שמו של המצב הנוכחי.

צבע טבעת הקיבולת ונקיון של שואב האבק ישתנה על פי כמותהאבק שנשאב בזמן אמת. לאחר חיבור המברשת הרב שימושית השואב עדיין ישנה את כוח השאיבה באופן אוטומטי בין משטחי בלטות ושטיחים.

שימו לב:

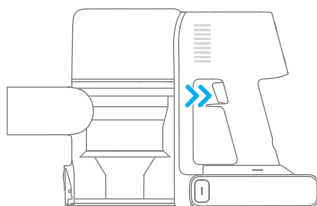
אם תעצור את שואב האבק במהלך הניקיון, הוא ימשיך לפעול במצב האחרון בו הוא פעל כשהוא יידלק שוב.

## מצבי עבודה


ישנם שני מצבי עבודה לשואב האבק, אותם ניתן לבחור בהתאם לצרכים שלכם. בזמן שהשואב פועל, הוא תוך שניה ימדוד את כמות האבק הנשאב, ובזמן הניקיון יציג בזמן אמת על גבי המסך באמצעות גרף מדד האבק את רמת הניקיון.

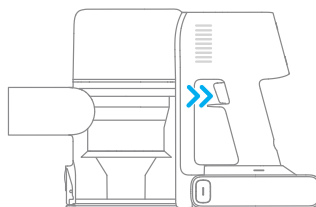
### מצב 1: מצב ניקוי לא רצוף

לחצו והחזיקו את מתג שואב האבק כדי להתחיל לעבוד, ושחררו אותו כדי להפסיק מיד.



### מצב 2: מצב ניקוי רציף (נעילה אלקטרונית)

במצב המתנה, לחצו על מקש  כדי לעבור למצב ניקוי רציף ואז לחצו לחיצה קצרה על המתג כדי להפוך את שואב האבק למצב ניקוי רציף. השתמשו במנעול האלקטרוני כדי לשחרר את האצבעות ולהימנע מעייפות האצבעות הנגרמת על ידי לחיצה על המתג.



הערה:  
במצב זה, לחצו לחיצה קצרה על המתג כדי להשהות את הפעולה או להתחיל שוב, ומצב העבודה של שואב האבק לא ישתנה.  
לחצו שוב על  כדי לצאת ממצב הניקוי הרצוף.

# כיצד להשתמש.

## שימוש באביזרים אחרים

### מיני מברשת חשמלית

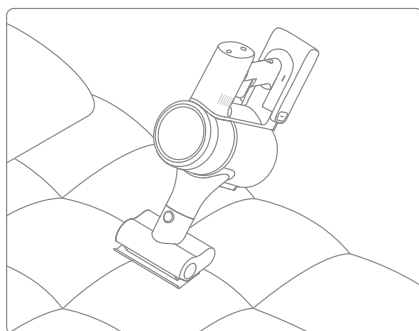
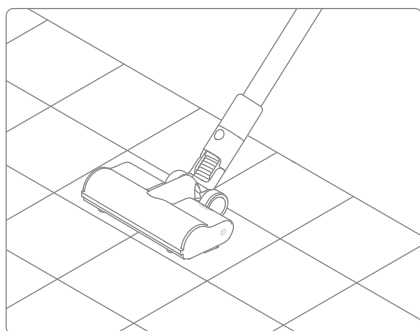
מתאים לשימוש לניקוי של אבק ושערות בעלי חיים על פפות, אריגים וכו'.

הערה: לא מומלץ לשימוש על משתחים שנפגעים בקלות (כגון משי וכו').

### מתקן המברשות החכם

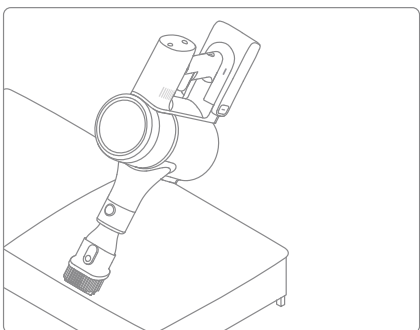
מתאימה לשאיבת אבק מעץ, אריחים, שיש ומשטחי רצפה קשים אחרים, כמו גם לשאיבת שיירים גדולים יותר של לכלוך ופסולת.הערה.

הערה: מתקן המברשות החכם יכול להתחבר באופן ישיר לשואב האבק.



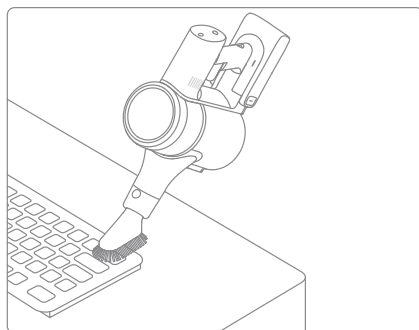
### פי צינור מברשת 2 בתוך 1

מתאים לניקוי אבק מוילונות, מקלדות, תקרות ופנים הרכב.



### מברשת רכה לפינוי אבק

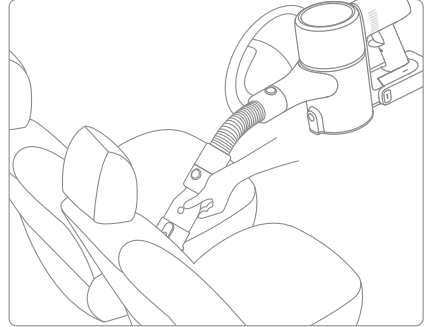
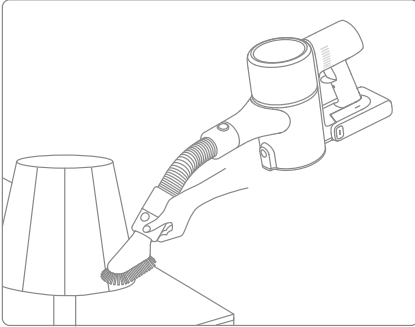
מתאים לניקיון של מסכי פלזמה, מקלדות, אהילים, וילונות, תריסים, ועוד משטחים רגישים ושבריים.





## צינור הארקה

המברשת הרכה לפינוי אבק או מברשת השתיים באחד המצורפים, מתאימים לניקיון של מגירות, פנים הרכב, תחתית הספה, ועוד פניות הקשות להגעה.

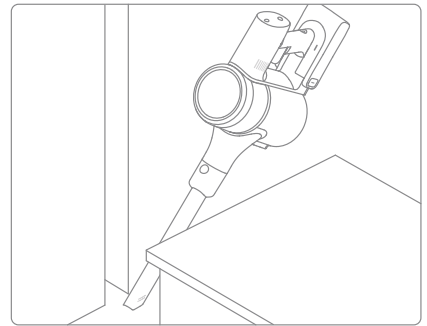
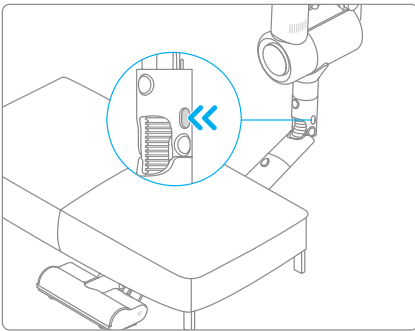


## מתאם חלק תחתון

בכפתור אחד מתכופף ונכנס למקומות נמוכים, מספק לצורכי ניקיון מתחת למיטות, ספות, ועוד תחתיות של רהיטים נמוכים.

## ראש שאוב מאיר איזורים צרים

נורת לד בצינורית בעלת פיה צרה מאירה, יכול להכנס יותר לאיזורים צרים וחריצים, להאיר ובצורה מדויקת לשאוב החוצה את האבק המפוזר במרחב.



## תזכורת:

אם חלק מסתובב נתקע, הוואקום עלול להיכבות אוטומטית. הסירו את כל החפצים הזרים שנלכדו, ואז המשיכו להשתמש. השואב ייכבה אוטומטית אם סוללה שלו יעבור למצב הגנה מפני התחממות יתר. המתינו עד שטמפרטורת סוללה תחזור לקדמותה לפני שתמשיכו להשתמש.

## טיפים:

1. השתמשו תמיד בחלקים מקוריים על מנת למנוע ביטול של האחריות שלכם על המוצר.
2. במידה והמסנן או פי צינור נחסמים, שואב האבק יפסיק לפעול פרק זמן קצר לאחר שמכבים אותו. להחזרת תפקוד שואב האבק לקדמותו, נקו את המסנן או את פי הצינור ורק לאחר מכן המשיכו בשימוש.
3. במידה ולא מתוכנן לעשות שימוש בשואב האבק למשך פרק זמן ארוך, הטעינו אותו עד הסוף, נתקו את המתאם שלו ואחסנו אותו בסביבה קרירה עם רמת לחות נמוכה הרחק מאור שמש ישיר. למניעת פריקת יתר של הסוללה, הטעינו מחדש את שואב האבק לכל הפחות פעם ב-3 חודשים.

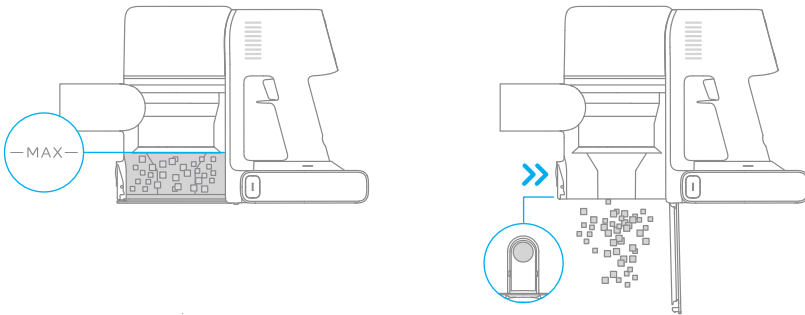
## ניקיון שואב האבק

נגבו את שואב האבק בעזרת מטלית יבשה ורכה.

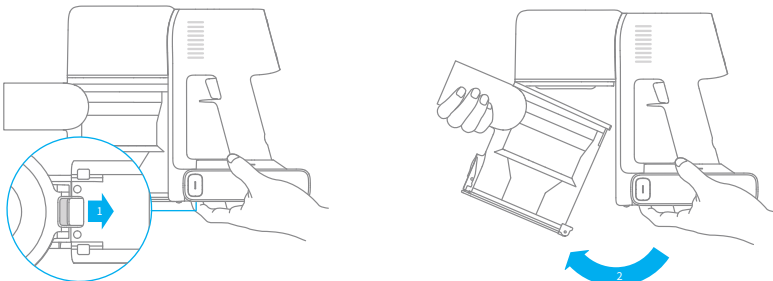
## נקיון תא האבק, המסנן ומערכת הציקלון

יכולת הניקיון של שואב האבק תופחת אם תא האבק יהיה מלא עד לסימן המקסימום. כדי לטייב תוצאות, רוקנו את תא האבק אחת לכמה זמן. לפני ריקון התא, ודאו ששואב האבק מנותק מהחשמל, ואל תלחצו על כפתור ההדלקה.

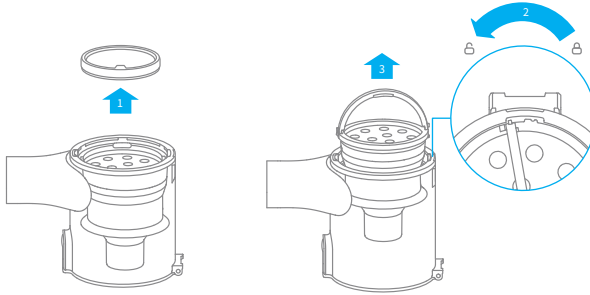
1. לחצו על הכפתור שבתחתית מסכה תא האבק בכיוון החץ, ואז רוקנו את תוכנו.



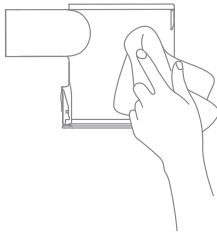
2. דחפו את מתג שחרור תא האבק בכיוון שהחץ מורה, ואז הסירו בעדינות את תא האבק משואב האבק.



3. הסירו קודם את המסנן, ואז הרימו את הידית של מערכת הציקלון ותעבירו נגד כיוון השעון עד שזה עוצר, אז משכו כדי להרים את מערכת הציקלון.



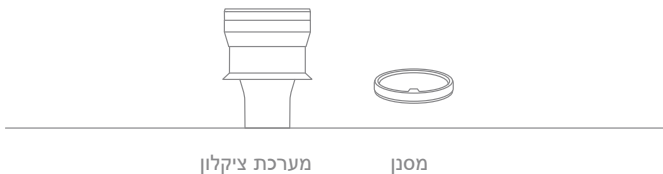
4. ניתן להשתמש במגבת לחה (לא רטובה) לנגב את מיכל האבק.



מיכל האבק מכיל מרכיבים חשמליים, נא לא לשטוף אותו ישירות במים!



5. אנא השתמשו במים צחים לנקות בשטיפה את המסנן הקדמי ואת המערכת הציקלונית עד שהם נקיים. לאחר השטיפה יבשו את החלקים לכל הפחות 24 שעות על מנת לוודא שיתייבשו לחלוטין.

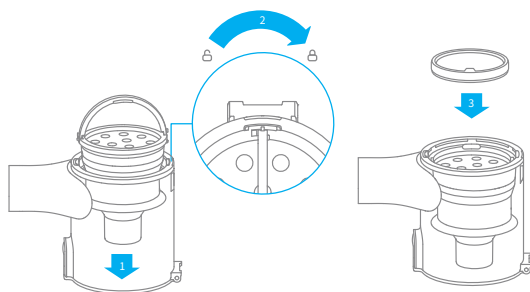


תזכורת: מומלץ לנקות את המסנן הראשי לפחות פעם אחת בכל 3 חודשים. ואת מנגנון הציקלון לפחות פעם ב-6 חודשים.

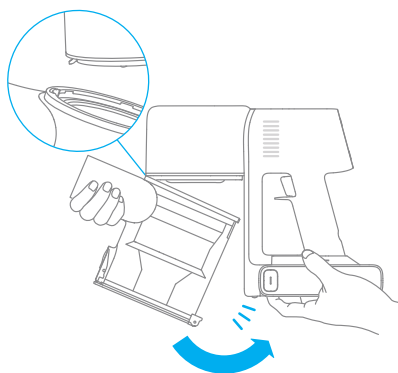
## התקנת תא האבק, הסנן ומערכת הציקלון

1. הכנס את מערכת הציקלון באופן אנכי לתא האבק, וודאו שהידיית של אוסף הציקלון נכנסת במקום בצד השמאלי של תא האבק. הפנה את הידיית לכיוון השעון עד שהיא ננעלת, ואז הפכו את הידיית למטה.

2. מקמו את המסנן על הצד הקדמי עם הפנים למעלה לתוך מערכת הציקלון.



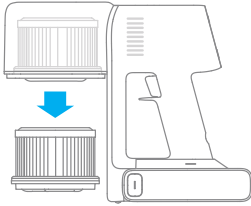
3. הטו בעדינות את תא האבק למקומו בצורה ישירה עם האטם של שואב האבק. לחצו בעדינות על תא האבק בכיוון החץ עד שהוא נכנס למקומו (בהגעתו תישמע "קליק").



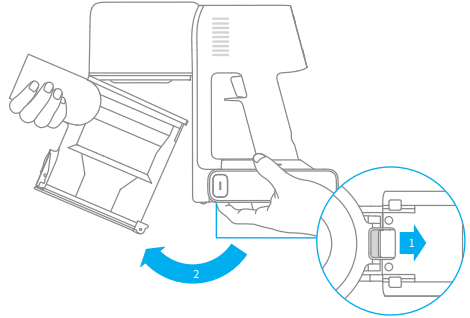
## נקיון מסנן ה-

מומלץ לנקות את מסנן ה-לפחות פעם בארבעה עד שישה חודשים.

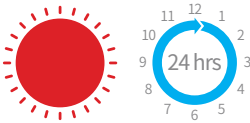
2. הסירו את סנן המשוואב האבק על ידי משיכתו מטה בכיוון שנראה בציור.



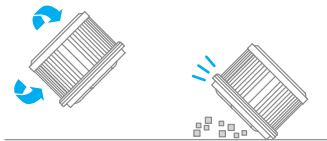
1. הסירו את תא האבק כפי שנראה בציור.



4. תנו למסנן להתייבש באוויר 24 שעות.



3. נקו את סנן ה עם מים נקיים. ודאו שאתם מסובבים את סנן ה 360° והסירו את כל האבק שנותר בסנן. טפחו על הסנן בעדינות מספר פעמים כדי להסיר את כל הלכלוך שנותר.

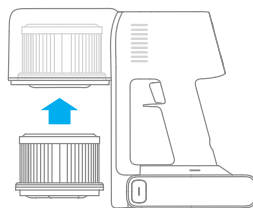


תזכורת:

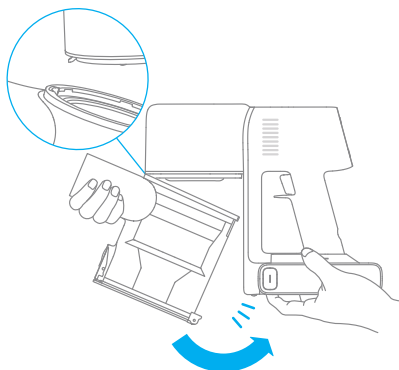
השתמשו רק במים נקיים כדי לשטוף את המסנן. אל תשתמשו בחומרי ניקוי. אל תנסו לנקות את ה עם מברשת או עם אצבע.

## התקנת סנן ה

1. הכניסו את סנן ה לתוך שואב האבק ודחפו אותו למטה בעדינות, לפי הדוגמה.

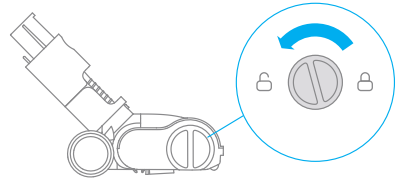


2. התקינו מחדש את תא האבק.

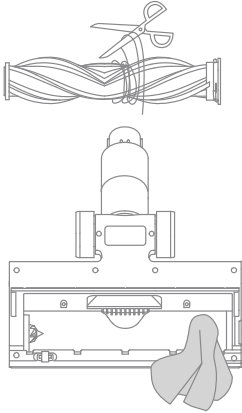


## נקיון מתקן המברשות החכם

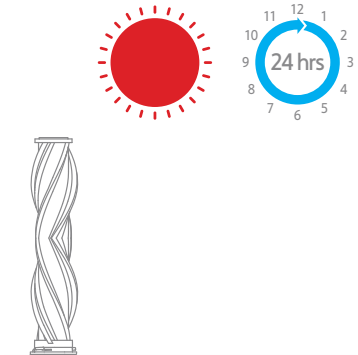
1. על פי התמונה סובב את הנעילה כנגד כיוון השעון עד עצירה, לאחר מכן הסר את מברשת הגלילה ממתקן המברשות החכם.



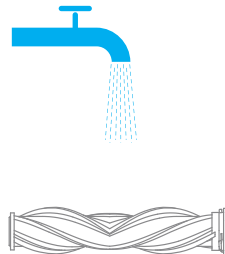
2. השתמשו במספריים כדי לחתוך שערות וסיבים שנתקעו על ראש המברשת. נגבו את האבק מהשקעים ומהכיסוי השקוף בעזרת מטלית יבשה או נייר סופג.



4. העמידו את ראש המברשת בצורה אנכית באזור מאורר היטב למשך 24 שעות לכל הפחות עד שהוא יבש לחלוטין.



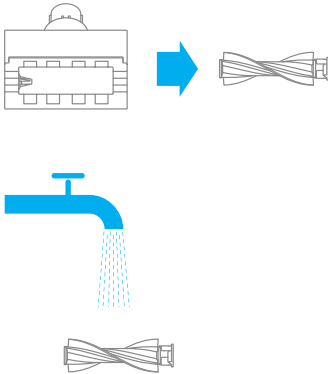
3. כאשר ראש המברשת מלוכלך יחסית, נקו אותו במים זורמים עד שהוא נקי.



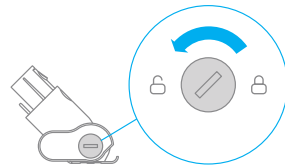
# טיפול ותחזוקה

## ניקיון המיני מברשת החשמלית

2. לאחר שחרור נעילת ראש המברשת, הוציאו אותו ממני המברשת החשמלית, לאחר מכן שטפו ונקו את ראש המברשת.



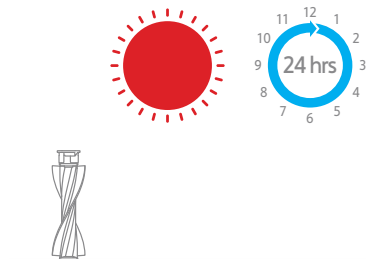
1. השתמשו במטבע בהתאם לאיור לסיבוב הנעילה כנגד כיוון השעון עד שתשמעו צליל הקלקה.



4. ברגע מברשת הרולר יבש, הרכיבו אותו חזרה למקומו בהתאם לשלבי הפירוק בסדר הפוך.



3. העמידו את ראש המברשת בצורה אנכית באזור מאוורר היטב למשך 24 שעות לכל הפחות עד שהוא יבש לחלוטין.



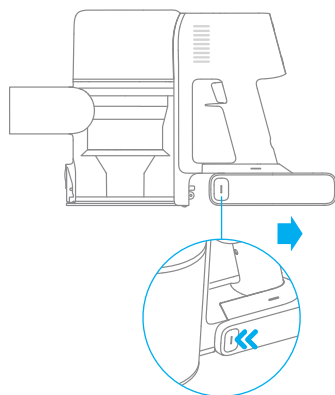


## חבילת הסוללה

סוללת הליטיום במכשיר הינו מוצר מתכלה וניתן לפרקו. כאשר למרות טעינה נכונה זמן השימוש במוצר מתקצר באופן ברור, זהו סימן שיתכן והסוללה בסוף אורך חייה.

1. לחצו על הכפתור לפירוק הסוללה, והחליקו את הסוללה לאחור לשחרורו.

2. התקינו סוללה חדשה.














שואב אבק			
VTT1	סיווג מתח	34 טלון ===	מתח טעינה
550 וואט	כוח חשמל מדורג	29.6 וולט ===	מתח מדורג
משוער 4 שעות	זמן טעינה	2900 mAh	סוללה קיבולת
מתקן המברשות החכם			
VPA3			סיווג מתח
20 וואט	כוח חשמל מדורג	29.6 וולט ===	מתח מדורג
פייה גלילית רכה			
ASF5			סיווג מתח
40 וואט	כוח חשמל מדורג	29.6 וולט ===	מתח מדורג
מתאם מתח			
ZD024M340090EU/ ZD024M340090AU	סיווג מתח	87.01 %	יעילות פעילה ממוצעת
50/60 ~ 100-240 וולט הרץ 0.8 אמפר	סיווג כניסת מתח	77.01 %	יעילות בעומס נמוך (10%)
34 וולט === 0.9 אמפר	סיווג יציאת מתח	0.1 וואט	צריכת חשמל ללא טעינה
סוללת ליתיום נטענת			
P2033-8S1P-PAA	סיווג מתח	2900 mAh	סוללה קיבולת
29.6 וולט ===	מתח נומינלי	81.4 Wh	אנרגיה

מוצר זה מכיל סוללות ליתיום וזריקתם לאשפה רגילה גורמת לנזק סביבתי. נא להפטר מהסוללות בצורה אחראית על ידי זריקתם למקום פינוי אשפה המיועד לכך.

במידה ושואב האבק אינו פועל בצורה תקינה, אנא עיינו בטבלת איתור התקלות ופתרון הבעיות שלהלן.

שגיאות תכופות	סיבות אפשריות	פתרונות
שואב האבק לא עובד.	שואב האבק הינו ללא סוללה או מתח עבודה נמוך.	טענו את שואב האבק לחלוטין, ואז המשיכי להשתמש בו.
	מצב הגנת חימום יתר מופעל על ידי חסימה.	המתינו עד שהשואב יתקרר ואז הפעילו אותו מחדש.
	פתיחת יניקה או מעבר דרכי מעבר האוויר חסומות.	נקו חסימות מפתחי יניקה או דרכי מעבר האוויר.
כוח יניקה חלש.	תא האבק מלא ו/או מכלול מסנני סתום.	רוקנו את תא האבק ונקו את מכלול מסנן.
	האביזר סתום.	נקה חסימות באביזר.
המנוע משמיע רעש מוזר.	פיית השאיבה המרכזית או צינור סיבי הפחמן נסתם.	נקה את העצם החוסם את פיית השאיבה המרכזית או צינור סיבי הפחמן.
חיווי הסוללה לא נדלק בזמן טעינה.	המתאם אינו מחובר לשואב האבק.	ודאו שמתאם החשמל מחובר כראוי.
	הסוללה טעונה במלואה ועברה למצב שינה.	ניתן להשתמש באופן רגיל.
	אם הבעיה נמשכת לאחר שלילת שתי האפשרויות לעיל.	אנא צרו קשר עם מוקד שירות הלקוחות לצורך תחזוקה.
נטען לאט.	טמפרטורת הסוללה נמוכה מדי או גבוהה מדי.	המתינו עד שהטמפרטורה של הסוללה תחזור למצב רגיל, אז המשיכו להשתמש.

בזמן שהמכשיר לא עובד שצורה שגרתית או שעל גבי המסך מופיע הודעה חריגה, יש לקרוא את המופיע על המסך ולטפל בבעייה על פי טבלת השגיאות המצורפת.

קוד שגיאה	חיווי לשגיאה	פתרונות
	התחממות יתר של הסוללה	המתינו עד שהטמפרטורה של הסוללה תחזור למצב רגיל, ואז המשיכו להשתמש.
	מברשת רולר תקועה	פנו למדריך התחזוקה [נקיון מתקן המברשות החכם] כדי לנקות סיבים ושיער שנכרכו סביב המברשת.
	תעלת האוויר חסומה	בדוק האם מיכל איסוף האבק, צינור סיבי הפחמן או המברשת הרב שימושית נסתמו.
	שגיאת סוללה	אנא צרו קשר עם מוקד שירות הלקוחות לצורך תחזוקה.
	סוללה חלשה	אנא טענו בהקדם האפשרי.
	הסוללה נגמרת	אנא טענו בהקדם האפשרי.
	מסנן עומד לפוג	אנא החליפו את המסנן בזמן.
	המסנן הוסר	בדקו האם המסנן הפנימי והמסנן הקדמי מותקנים.
	החלף את המסנן	אנא החליפו את המסנן בזמן. אחרי החלפת המסנן, לאחר לחיצה על המקש  למשך 1.5 שניות כנסו למסך ספירה לאחור של החלפת מסנן, שמירו על המקש לחוץ למשך 5 שניות והמתינו שתופיע על המסך  , המורה שההחלפה התבצעה בהצלחה. 

- The word "dreame" is the abbreviation of Dreame Technology Co., Ltd. and its subsidiaries in China. It is the transliteration of the company's Chinese name " 追觅 ", which means striving for excellence in every endeavor and reflects the company's vision of continuous pursuit, exploration and search in technology.
- Das Wort "dreame" ist die Abkürzung von Dreame Technology Co., Ltd. und seinen Tochterunternehmen in China. Es ist die Transliteration des chinesischen Namens " 追觅 " dieser Firma, was für das Streben nach Vollendung steht und die Vision des Unternehmens widerspiegelt, nämlich im Bereich der Technologie unaufhaltsam weiterzustreben, zu erforschen und entdecken.
- Dreame est l'abréviation de l'entreprise chinoise Dreame Technology Co., Ltd. et ses filiales, qui est la traduction phonétique du nom chinois de l'entreprise « 追觅 », reflétant la vision de l'entreprise qui consiste à poursuivre, explorer et rechercher constamment les avancées technologiques.
- La parola "dreame" è l'abbreviazione dell'azienda Dreame Technology Co., Ltd. e delle sue filiali in Cina. È la traslitterazione del nome cinese dell'azienda " 追觅 ", che dimostra la continua ricerca, esplorazione e visione di ricerca dell'azienda nella tecnologia.
- La palabra "dreame" es la abreviatura de Dreame Technology Co., Ltd. y sus subsidiarias en China. Es la transliteración del nombre chino de " 追觅 ", que significa luchar por la excelencia en cada esfuerzo y refleja la visión de la compañía de continuamente buscar, explorar e investigar en tecnológas.
- Dreame — сокращённое название китайской компании Dreame Technology Co., Ltd. и ее дочерних предприятий. Dreame является транслитерацией названия компании на китайском языке « 追觅 », в котором отражено корпоративное видение компании в сфере науки и технологий — непрерывный поиск, исследования и стремление к успеху.
- Słowo "dreame" to skrót od Dreame Technology Co., Ltd. i spółek w Chinach. Jest to transliteracja chińskiej nazwy firmy " 追觅 " co oznacza dążenie do doskonałości w każdym przedsięwzięciu, odzwierciedlając wizję firmy, jaką jest ciągłe prowadzenie, odkrywanie i poszukiwania w nauce i technologii.
- A palavra "dreame" é a abreviatura da Dreame Technology Co., Ltd. também é a tradução do seu nome chinês " 追觅 ", o que significa buscar a excelência em todos os empreendimentos e reflete a visão da empresa de busca, exploração e criação da tecnologia.
- دريم هي مؤسسة صينية ويطلق على شركة دريم للتكنولوجيا المحدودة والشركات التابعة لها، وتعكس الترجمة الصوتية للمسمى الصيني " 追觅 " رؤية الشركة للسعي المستمر والاكتشاف والبحث في التكنولوجيا.
- Dreame הינו שמו המקוצר של החברה הסינית Dreame Technology Co., Ltd. and its subsidiaries. זהו תעתיק המבוסס על צליל השם הסיני " 追觅 " וממחיש בתוכו את חזון החברה לחפש ולדרוף באופן בלתי פוסק בתחום הטכנולוגיה.



For more information, please visit [www.dreame-technology.com](http://www.dreame-technology.com)

Manufactured by: Dreame Trading (Tianjin) Co., Ltd.

Made in China

VTT1-EU-A02