

## Instruction manual Руководство по эксплуатации

Электрический  
воздухоочиститель

*Electric  
air purifier*

**Модели/Models:**

TAP FL700 MF (BL)

TAP FL700 MF (W)

**Цвет/Color:**

(BL) - черный/black

(W) - белый/white

**Руководство по эксплуатации включает в себя гарантийный талон**

Outlook of devices, aslo colour scores can be revised without any special advance notices.

Производитель вправе менять внешний вид прибора и цветовую гамму прибора без специального уведомления.

## CONTENTS

1. Important information	2
2. Safeguards	2
3. Specification	3
4. Product description	4
5. Complete set	4
6. Operation of the instrument	4
7. Cleaning and maintenance instrument	5
8. Troubleshooting	6
9. Utilization	7
10. Transportation and storage	7

### Dear customer!

**We thank you for your happy choice! You've bought an air purifier TIMBERK. It will serve you for a long time. Please, read this manual carefully before operating the device!**

**The air purifier is designed for purification of air in living spaces to remove dust/dirt particles, bacteria, fungus spores, unpleasant odor, and tobacco smoke (depending on the model and availability of certain filter types in the appliance).**

## 1. IMPORTANT INFORMATION

The manufacturer reserves the right, without prior notification the buyer to make changes in design, equipment or technology to manufacture products with the aim of improving its properties.

The text and figures are given instruction may be a misprint.

If after reading the instructions you still have questions regarding the operation of the unit and contact your dealer or authorized service facility for clarification.

The product label is present, which are all necessary technical data and other useful information about the instrument.

Use only for intended use as described in this manual. Air is designed to clean air in residential areas.

## 2. SAFEGUARDS

Before the commissioning of the air purifier carefully read these instructions for its use, and store it for later use.

When using the device, you must follow some precautions. Misuse of power of ignoring safety precautions could cause harm the user and others, as well as damage to their property.

The device is designed to work in a residential area in compliance with these conditions. Use an air cleaner for other purposes may create a situation dangerous to life and health.

### 3. SPECIFICATION

Table 1

Specifications	Units	Value
Air flow	m <sup>3</sup> /h	200
Power supply	V/Hz	220~50
Nominal power consumption	W	33
Nominal rated current	A	0.15
Noice level	dB	30/40/48
Water protection	-	IPX0
Electrical protection class	-	Class II
Device dimension	mm	495x360x231
Net weight	kg	8.5
Area	m <sup>2</sup>	50

The appliance should be monitored during its operation, especially when close to him are the children. The device is not intended for use by persons (including children) with reduced physical, sensory or mental capabilities, having insufficient experience and knowledge, unless they are supervised and do not receive instructions on how to use the device from the person responsible for their safety. Make sure that the children do not play with the device.

Do not use the device in order not provided for this manual.

Not allowed to operate the appliance if the power cord or plug are damaged, and if air cleaner is defective, damaged in the fall or in other circumstances.

The device should be used only in fully assembled form.

To avoid electrical hazards, damaged power cord must be changed only at authorized service centers by qualified personel.

To avoid electric shock, do not place the power cord near a heat source and flammable or combustible substances.

To avoid personal injury and property damage, not try to repair the air cleaner.

For repair of the air purifier, please contact the authorized service center of the manufacturer. Its address can be obtained at [www.timberk.com](http://www.timberk.com).

Remove the plug from the outlet device in the following cases: before cleaning and maintenance, before moving to another place.

Install the air cleaner on a flat dry surface.

For damages received due to improper location of the humidifier, a manufacturer and seller are not liable.

When not in use, unplug the power supply.

Do not route power cord under a carpet or other items.

Avoid contact with air filter foreign objects.

Do not block air intake with foreign objects and the air outlet.

The minimum distance from any of the instrument to objects and surfaces, 30 cm.

Do not sit, or stand or place heavy objects on the air purifier.

For damage to the instrument, derived from the non-fulfillment of this requirement, a manufacturer and seller are not liable.

When you disconnect the unit from the mains, do not pull the power cable and do not touch it with wet hands.



#### IMPORTANT!

The manufacturer reserves the right to change the set-list of the device (including liquid and powder components) for different supplies without prior notice. The changes either in no way influence the basic technical parameters of the device or may improve them, and also not violate the legislation or quality standards of the countries of manufacture, transit and selling.

The changes in the set-list may result in changing of the weight and dimensions of the device, but not more than by +/- 5-20% (depending on the product category)

## 4. PRODUCT DESCRIPTION

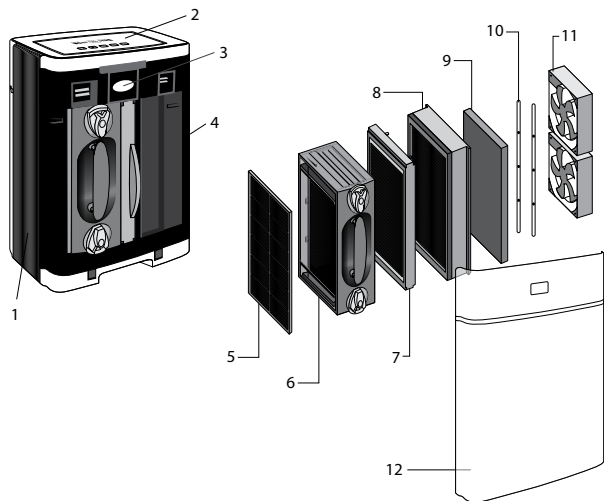


Fig. 1

- |                   |  |
|-------------------|--|
| 1. Front grille   | 7. VOC/Formaldehyde filter             |
| 2. Control panel  | 8. Ozone filter                        |
| 3. Clean sign     | 9. Catalyst (TiO <sub>2</sub> ) filter |
| 4. Exhaust grill  | 10. UV LED                             |
| 5. Pre – filter   | 11. Motor fan                          |
| 6. Collector cell | 12. Front cover                        |

## 5. COMPLETE SET

1. Air Purifier - 1 pc.
2. Manual and warranty card - 1 pc.
3. Packing - 1 pc.
4. Brush - 1 pc.

## 6. OPERATION OF THE INSTRUMENT

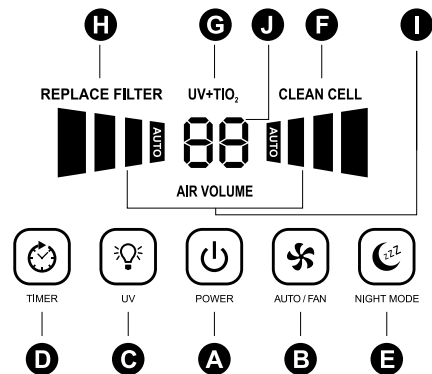


Fig. 2

### A) ON/OFF Button

By pressing button «**⏻**» once, you can set the unit on, display screen will illuminate. The appliance will start to operate under AUTO mode. By pressing it twice, the unit is switched off.

### B) AUTO model/Fan Speed

By repeated pressing button «**🌀**» you can adjust the air clean speed or operate under AUTO mode. Symbol I show which of the four levels you have selected:

- Low **I** for silence technology
- Medium **II** for normal use
- High **III** for maximum cleaning
- Once the AUTO **III** is activated, appliance will automatically sense and adjust the air clean speed once it detects pollutants in the air. Additionally 4 stages of clean sing, clearly shows your current air condition accordingly:
  - Green: Clean
  - Light Orange: Low pollution
  - Orange: Medium pollution
  - Red: High pollution

### C) Operation with catalyst

Button «UV» is used for switching the catalyst on and off (Symbol «UV+TiO<sub>2</sub>» lights up).

This appliance combines advanced catalytic technologies to reduce odors and chemical fumes from glues, solvents, and synthetic materials when air passes through the filter and is activated by the internal UV LED. (The catalyst system cannot be removed). If turned off, the appliance will continue to filter particles from the air that passes through the filter but its odor and VOC capability will be greatly reduced.

### D) Timer

Using button «C» the operation time can be set-adjustable between 1~9 hours or continuous operation (circulated **88**), Sumbol J shows the operating period that has been set (1h/2h/3h/4h/5h/6h/7h/8h/9h/ circulated **88**). The display will automatically show the current value after a few seconds.

### E) Night mode

By pressing the button «C» once, the night mode is switched on which automatically dims the display brightness, appliance continue to operate under with silence technology. If button «C» pressed again, the appliance will no longer be in night mode.

### F) Cleaning indicator

If red «CLEAN CELL» indicator appears on the display, the appliance should be cleaned as recommended by the manufacturer. When the collector cell is re-installed after cleaning, switch on the appliance and keep pressing the button «C» at least 3 seconds until buzzer beeps, red «CLEAN CELL» indicator goes out and «CLEAN CELL» timer is reset.

### G) Catalyst indicator

### H) Replace indicator

If red «REPLACE FILTER» indicator appears on the display, the VOC/Formaldehyde filter should be replaced as recommended by the manufacturer. When the VOC/Formaldehyde filter is re-ins - tallated after replacement, switch on the appliance and keep pressing the button «C» at least 3 seconds until buzzer beeps, red «REPLACE FILTER» indicator goes out and «REPLACE FILTER» timer is reset.

### I) Fan speed indicator

### J) Timer indicator

## 7. CLEANING AND MAINTENANCE INSTRUMENT

### Cleaning the Collector Cell

1. Unplug the appliance.
2. Open the front cover by gently pulling from the top corners.
3. Remove the collector cell by unlocking top and bottom knobs and pulling straight out.
4. Separate the collector cell from the wire assembly for easier access to each during cleaning.
5. Place each in sink, bathtub or other location where cleaner can cover every surface.
6. Spray specialized cleaner between each cell plate and cover each surface. Allow the cleaner to soak for a few minutes but do not let it dry. Thoroughly rinse the collector cell with clean water.

An alternative method to clean the collector cell is

to rinse or soak it in warm water for loose debris. Mild liquid dish detergent in water may also be used to help break down tough dirt and residue. Thoroughly rinse the collector cell with clean water.

7. Place the collector cell under the sunlight to dry at least 3 hours. Shake excess water from the collector cell to speed up drying time. Do not use heated or compressed air to dry.
8. Reassemble the wire assembly and collector cell by inserting the post located on the outside edges of the wire assembly into the recessed channels of the collector cell. After guiding the post into the recessed channels, slide the wire assembly until it locks into place.

9. Place the collector cell back into the unit by sliding it straight in and turning each knob to its locking position. The collector cell is specially designed so that it can only be inserted in one direction.

10. Close the front cover securely.



## ATTENTIONS!

- The collector cell may not require if «arcing» occurs. Arcing is a snapping sound that occurs when large particles are collected in the collector cell or the appliance used in over-damp rooms.
- If prolonged or continuous arcing occurs, the collector cell should be cleaned.
- To prevent damage to the components of the collector cell, do not put in dishwasher or use a cotton swab.
- Tough residue such as tar from tobacco smoke may need additional cleaning or longer soaking.
- The collector cell must be completely dry after cleaning in order to operate properly. If the power supply detects the collector cell is wet, it shuts down power to the cell and cause the red «CLEAN CELL» indicator to blink rapidly. Please re-dry the collector cell until the power supply successfully restarts, the appliance will return to its original speed and run as normal.

### Cleaning the Pre-Filter

1. Unplug the appliance.
2. Open the front cover by gently pulling from the top corners.
3. Pull the pre-filter straight out of the cabinet.
4. Thoroughly rinse the pre-filter and let it air dry before placing it back in the cabinet. Do not use heated or compressed air as part of the drying process.
5. Slide the pre-filter back into the unit.
6. Close the front cover securely.

### Cleaning the Exhaust Grille

1. Remove the cleaning brush from the storage slot located under the cover.
2. Brush away debris that has collected between the grille slots.
3. Return the cleaning brush to the storage slot.

## 8. TROUBLESHOOTING

In case of emergency contact information listed in the table 2 below. If you can not solve problems independently, to a service center.

Table 2

Problem	Check	Solution
Appliance does not turn ON	<ul style="list-style-type: none"> <li>• Power</li> <li>• Power</li> <li>• Cover</li> </ul>	<ul style="list-style-type: none"> <li>• Plug in power cord</li> <li>* Press the power button</li> <li>* Make sure the cover is securely closed</li> </ul>
Red «CLEAN CELL» indicator has illuminated	Collector cell	Red «CLEAN CELL» indicator is a 60 day cleaning reminder. Wash collector cell. Make sure it is thoroughly clean before reinstalling
Red «CLEAN CELL» indicator is blinking	Collector cell	<ul style="list-style-type: none"> <li>• When a large particle is captured in the collector cell, please restart your appliance</li> <li>• A fast blinking light indicates the power supply has shut down due to arcing or short circuit. The cell should be inspected and cleaned, repaired, or replaced</li> </ul>
Collector cell does not remove particles	Collector cell	<ul style="list-style-type: none"> <li>• Clean the collector cell</li> <li>• Collector cell may be damaged. Contact authorized service center</li> </ul>
Appliance sparks, crackles and pops	Collector cell	<ul style="list-style-type: none"> <li>• Sparking or popping noise (arcing) can occur when a large particle is captured in the collector cell or appliance is used in over damp rooms. If the appliance is arcing excessively, the cell may be dirty. Try cleaning the collector cell.</li> <li>• If excessive arcing continues after proper cleaning, the collector cell may be damaged. If damaged, contact authorized service center.</li> </ul>
«AUTO» light is blinking	Surroundings	Air quality is very bad, please open the window to improve the ventilation
	Odor sensor	Odor sensor get malfunction, should be repaired or replaced

## 9. UTILIZATION

Term reliability is 5 years.

At the end of the life of the purifier should be subjected to disposal in accordance the rules, regulations and methods, at the place of disposal.

## 10. TRANSPORTATION AND STORAGE

1. When transporting, any possible impacts and movements of the package inside a vehicle must be avoided.
2. Handling symbols on the unit's package must be strictly observed when transporting and storing it.

3.

<b>Temperature requirements*</b>	<b>Transportation and storage</b>	<b>-30°C to +50°C</b>
<b>Humidity requirements*</b>		<b>15% to 85% (no condensate)</b>

We are researching new technologies and constantly improving the quality of our products. Specifications, design and scope of delivery may be changed without any prior notice.

\* Products must be stored in dry, ventilated storages at the temperature not lower than -30°C.

## СОДЕРЖАНИЕ

1. Важная информация	8
2. Правила безопасности	9
3. Технические характеристики	9
4. Описание прибора	10
5. Комплектация	10
6. Эксплуатация прибора	11
7. Чистка и обслуживание прибора	12
8. Гарантийный талон	13

### Уважаемый покупатель!

Благодарим Вас за удачный выбор и приобретение воздухоочистителя TIMBERK. Он прослужит Вам долго.

Воздухоочиститель предназначен для очистки воздуха в бытовых помещениях от частиц пыли, грязи и бактерий, спор грибов, неприятного запаха и табачного дыма.

Просим вас внимательно ознакомиться с руководством по эксплуатации перед тем, как вы начнете эксплуатацию изделия!

## 1. ВАЖНАЯ ИНФОРМАЦИЯ

Производитель оставляет за собой право без предварительного уведомления покупателя вносить изменения в конструкцию, комплектацию или технологию изготовления изделия с целью улучшения его свойств.

В тексте и цифровых обозначениях данного руководства могут быть допущены опечатки.

Если после прочтения руководства у Вас останутся вопросы по работе и эксплуатации прибора, обратитесь к продавцу или в специализированный сервисный центр для получения разъяснений.

На изделии присутствует этикетка, на которой указаны все необходимые технические данные и другая полезная информация о приборе.

Используйте прибор только по назначению, указанному в данном руководстве.



## 2. ПРАВИЛА БЕЗОПАСНОСТИ

Перед вводом в эксплуатацию воздухоочистителя внимательно изучите данное руководство по эксплуатации и храните его для дальнейшего использования.

При использовании прибора, необходимо соблюдать ряд мер предосторожности. Неправильная эксплуатация в силу игнорирования мер предосторожности может привести к причинению вреда здоровью пользователя и других людей, а также нанесению ущерба их имуществу.

Прибор предназначен для работы в жилых помещениях с соблюдением указанных условий эксплуатации. Использование воздухоочистителя не по назначению может создавать ситуации, опасные для жизни и здоровья людей.

Электроприбор должен находиться под наблюдением во время его эксплуатации, особенно, если неподалёку от него находятся дети. Устройство не предназначено для использования лицами (включая детей) с ограниченными физическими, сенсорными или умственными возможностями, обладающими недостаточным опытом и знаниями, если они не находятся под наблюдением и не получили инструкций по использованию устройства от лица, ответственного за их безопасность. Необходимо следить, чтобы дети не играли с устройством. Не используйте устройство, в целях, непредусмотренных этим руководством по эксплуатации.

Не допускается эксплуатировать прибор, если сетевой шнур или штепсельная вилка имеют повреждения, а также, если воздухоочиститель неисправен, поврежден при падении или при других обстоятельствах. Прибор должен эксплуатироваться только в полностью собранном виде.

Во избежание опасности поражения электрическим током, поврежденный сетевой шнур должен меняться только в авторизованных сервисных центрах квалифицированными специалистами.

Во избежание опасности поражения электрическим током не размещайте сетевой шнур рядом с нагревательными приборами и легковоспламеняющимися или горючими веществами.

Во избежание травм и повреждения имущества не пытайтесь самостоятельно ремонтировать воздухоочиститель.

Для ремонта воздухоочистителя обратитесь в авторизованный сервисный центр производителя, адрес которого можно узнать на сайте [www.timberk.com](http://www.timberk.com).

Вынимайте штепсельную вилку прибора из сетевой розетки в следующих

случаях: перед чистой и техническим обслуживанием; перед перемещением на другое место.

Устанавливайте воздухоочиститель на ровной сухой поверхности.

За повреждения, полученные из-за неправильного расположения воздухоочистителя, изготовитель и продавец ответственности не несут.

Если прибор не используется, отключите его от сети электропитания.

Не прокладывайте сетевой шнур под ковром или другими предметами.

Не допускайте попадания в воздухоочиститель посторонних предметов.

Не загромождайте посторонними предметами воздухозаборное и воздуховыпускное отверстие.

Минимальное расстояние от любой стороны прибора до предметов и поверхностей 30 см.

Не садитесь, не вставайте и не ставьте тяжелые предметы на воздухоочиститель.

За повреждения прибора, полученные из-за невыполнения данного требования, изготовитель и продавец ответственности не несут.

При отключении прибора от сети электропитания не тяните за сетевой шнур и не дотрагивайтесь до него влажными руками.

## 3. ТЕХНИЧЕСКИЕ ХАРАКТЕРИСТИКИ

Таблица 1

Технические характеристики	Ед. изм.	Значение
Расход воздуха	м <sup>3</sup> /час	200
Параметры электропитания	В/Гц	220~/50
Номинальная потребляемая мощность	Вт	33
Номинальная сила тока	А	0.15
Уровень шума	Дб	30/40/48
Степень защиты	-	IPX0
Класс электрозащиты	-	Класс II
Размеры прибора	мм	495x360x231
Вес нетто	кг	8.5
Площадь помещения	м <sup>2</sup>	50



## ВНИМАНИЕ!

Производитель оставляет за собой право для разных партий поставок без предварительного уведомления изменять комплектующие части изделия (включая заливаемые \ засыпаемые части составляющие), не влияя при этом на основные технические параметры изделия или улучшая их, а также не нарушая изменениями принятые на территории страны производства \ транзита \ реализации стандарты качества и нормы законодательства.

Это может повлечь за собой изменение веса и габаритов изделия, но не более чем на +/- 5-20% (могут отличаться для разного вида изделий).

## 4. ОПИСАНИЕ ПРИБОРА

1. Воздухозаборная решётка
2. Панель управления
3. Индикатор качества воздуха
4. Воздуховыпускная решетка
5. Предварительный фильтр
6. Электростатический фильтр
7. Угольный фильтр
8. Озоновый фильтр
9. Каталитический фильтр
10. Ультрафиолетовая лампа
11. Вентилятор
12. Лицевая панель

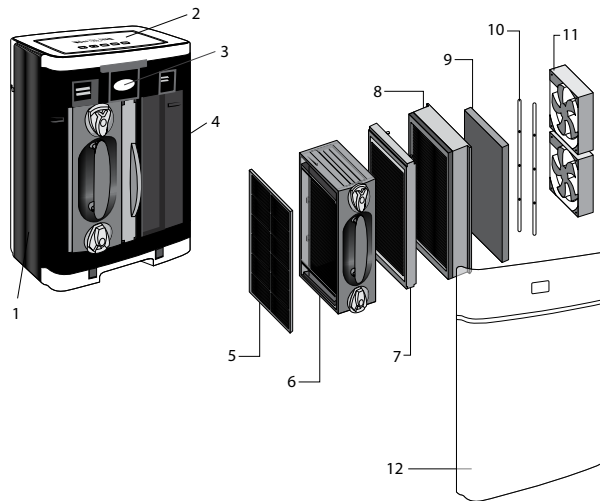


Рис. 1

## 5. КОМПЛЕКТАЦИЯ

1. Воздухоочиститель 1 шт.
2. Руководство по эксплуатации и гарантийный талон 1 шт.
3. Упаковка 1 шт.
4. Кисточка для чистки (закреплена на внутренней части лицевой панели) 1 шт.

## 6. ЭКСПЛУАТАЦИЯ ПРИБОРА

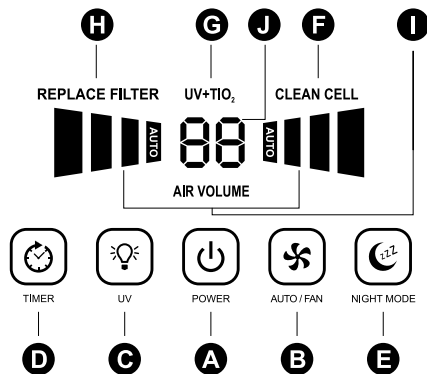


Рис. 2

### А) Кнопка Вкл/Выкл

Нажав на кнопку «**⏻**» один раз, Вы можете включить устройство, при этом загорится дисплей. Устройство начнет работу в автоматическом режиме. Нажав на кнопку ещё раз, Вы выключите прибор, при этом дисплей погаснет.

### В) Автоматический режим/Скорость вентилятора

Вы можете регулировать скорость очистки воздуха или выбрать автоматический режим работы, нажав на кнопку «**🌀**». Обозначение I показывает какой из четырех уровней выбран:

- Низкий **I** – для тихой работы;
- Средний **II** – для обычного использования;
- Высокий **III** – для максимальной очистки;
- После включения АВТОМАТИЧЕСКОГО режима **III**, устройство будет автоматически определять и регулировать скорость очистки воздуха при обнаружении в воздухе загрязнителей. Кроме того, 4 цвета обозначения чистоты воздуха четко показывают Вам текущее состояние воздуха, соответственно:

- Зеленый: чистый воздух;
- Светло-оранжевый: низкий уровень загрязнения;
- Оранжевый: средний уровень загрязнения;
- Красный: высокий уровень загрязнения.

### С) Ультрафиолетовая лампа

Кнопка «**☀**» используется для включения и выключения ультрафиолетовой лампы (загорается символ «UV+TiO2»). В данном устройстве применяются передовые каталитические технологии для снижения запахов и химических паров от клея, растворителей и синтетических материалов, когда воздух проходит через фильтр активируемый светодиодной УФ лампочкой. При выключении устройство продолжит фильтрацию частиц из воздуха, которые проходят через фильтр, однако его способность уменьшения запахов и летучих органических соединений будет значительно снижена.

### Д) Таймер

При помощи кнопки «**🕒**» можно настраивать время работы в диапазоне 1–9 часов. Символ J показывает установленный период работы (1ч/2ч/3ч/4ч/5ч/6ч/ 7ч/8ч/9ч). Через несколько секунд на дисплее будет автоматически показываться текущее значение.

### Е) Ночной режим

При однократном нажатии на кнопку «**🌙**» включается ночной режим, который автоматически приглушает яркость дисплея, устройство продолжает работать в тихом режиме. При повторном нажатии на кнопку «**🌙**» устройство выйдет из ночного режима.

### Ф) Индикатор очистки

Если на дисплее появляется красный индикатор «CLEAN CELL», то необходимо прочистить пылесборник электростатического фильтра согласно рекомендации производителя. После обратной установки пылесборника электростатического фильтра после чистки, включите устройство и нажимайте на кнопку «**☀**», по крайней мере, 3 секунды пока не услышите звуковой сигнал, красный индикатор «CLEAN CELL» погаснет и таймер будет обнулен.

### Г) Индикатор катализатора

### Н) Индикатор замены

Если на экране появляется красный индикатор «REPLACE FILTER»,

то необходимо заменить угольный фильтр согласно рекомендации производителя. После обратной установки после замены, включите устройство и нажимайте на кнопку «Ф», по крайней мере, 3 секунды пока не услышите звуковой сигнал, красный индикатор «REPLACE FILTER» погаснет и таймер будет обнулен.

I) Индикатор скорости вентилятора

J) Индикатор таймера

## 7. ЧИСТКА И ОБСЛУЖИВАНИЕ ПРИБОРА

Чистка корпуса устройства производится по мере необходимости.

Чистка пылесборника электростатического фильтра производится через 4-8 недель.

Чистка предварительного фильтра производится через 2-4 недели.

Замена угольного фильтра производится через 6-12 месяцев или по мере необходимости.

Чистка воздухозаборной решётки проводится по мере необходимости.

Чистка пылесборника электростатического фильтра

1. Отключите устройство от электросети.
2. Снимите лицевую панель с устройства.
3. Извлеките пылесборник из корпус, повернув ручки в верхней и нижней части, и потянув прямо.
4. Поместите пылесборник в раковину, ванну или любое иное место, где можно его сполоснуть или намочить теплой водой. Для удаления засохшей грязи можно использовать растворенное в воде жидкое моющее средство для посуды. Тщательно сполосните пылесборник чистой водой.
5. Стряхните остатки воды с пылесборника для сокращения времени высыхания. Не сушите пылесборник нагретым или сжатым воздухом.
6. Поместите пылесборник обратно в устройство сдвинув его прямо

и поворачивая каждую ручку в блокирующее положение. Устройство пылесборника позволяет вставлять его только в одном направлении.

7. Установите на устройство лицевую панель.



### ВНИМАНИЕ!

Для удаления засохшей грязи типа смол из табачного дыма может потребоваться дополнительная очистка или более длительное вымачивание.

Для того, чтобы электростатический фильтр работал без сбоев, он должен быть совершенно сухим. Если на пылесборнике останется влага, питание автоматически отключится и начнет мигать красный индикатор «CLEAN CELL». В подобном случае необходимо заново высушить или протереть пылесборник, после чего питание должно включиться и устройство вернется к изначальной скорости и нормальному режиму работы.



### ВНИМАНИЕ!

• В случае «дугообразования» чистить пылесборник не требуется. При «дугообразовании» раздается резкий звук, вызываемый скопившимися в пылесборнике крупными частицами или возникающий при использовании устройства в помещениях с повышенной влажностью.

• При длительном или постоянном «дугообразовании» пылесборник необходимо почистить.

• Во избежание повреждения деталей пылесборника не помещайте его в посудомоечную машину и не используйте ватные валики.

### **Чистка корпуса устройства**

1. Отключите устройство от электросети.
2. Протрите наружные поверхности корпуса тряпкой, слегка смоченной в небольшом количестве воды с добавлением мыла для мытья посуды.
3. Не допускайте попадания воды внутрь устройства, поскольку это может привести к повреждениям и к поражению электрическим током.
4. Перед использованием воздухоочистителя убедитесь, что он полностью высох и готов к использованию.

### **Чистка предварительного фильтра**

1. Отключите прибор от электросети.
2. Снимите лицевую панель с устройства, осторожно потянув за верхнюю часть.
3. Достаньте фильтр предварительной очистки.
4. Тщательно промойте фильтр предварительной очистки и дайте ему просохнуть на воздухе.
5. Поместите пылесборник обратно в устройство.
6. Установите на прибор лицевую панель.

### **Замена угольного фильтра**

1. Отключите устройство от электросети.
2. Снимите лицевую панель с устройства.
3. Извлеките угольный фильтр из корпуса.
4. Замените фильтр.
5. Установите на устройство лицевую панель.

### **Чистка воздухозаборной решетки**

1. Извлеките кисточку для чистки из паза под крышкой.
2. Счистите грязь, скопившуюся на внутренней части лицевой панели.
3. Вставьте кисточку для чистки обратно в паз.



[www.timberk.com](http://www.timberk.com)

## ГАРАНТИЙНЫЙ ТАЛОН



**Уважаемый покупатель!**

**Обратите внимание на необходимость вашей подписи  
на стр. 18**

## Гарантийные обязательства

**Гарантийное обслуживание и ремонт бытового электрического воздухоочистителя TIMBERK с соблюдением требований и норм Изготовителя (TIMBERK) производится на территории РФ только в авторизованных сервисных центрах Изготовителя или мастерских, уполномоченных производителем и работающих с ним на основании договора.**

**Срок проведения экспертизы и гарантийного ремонта - не более 45 дней с момента приемки дефектного изделия авторизованным сервисным центром TIMBERK.**

Если при эксплуатации изделия Вы столкнулись с неполадками в его работе, которые Вы не можете устранить самостоятельно в строгом соответствии с Руководством по эксплуатации изделия, обратитесь к региональному представителю Изготовителя в России или в региональный авторизованный сервисный центр TIMBERK, уточнив адрес у продавца.

Полный перечень сервисных центров указан на сайте [www.timberk.com](http://www.timberk.com) или приложен отдельным списком в комплекте с изделием.

Также Вы можете обратиться в уполномоченную сервисную службу Изготовителя по телефону: +7 (495) 627-5285, либо по телефонам, указанным на сайте: [www.timberk.com](http://www.timberk.com), или отправить сообщение по электронному адресу: [ru.service@timberk.com](mailto:ru.service@timberk.com)

Если отсутствие надлежащим образом заполненного гарантийного талона на изделие или отсутствие чека с указанием изделия не позволяет идентифицировать изделие и факт его продажи на территории РФ, то Изготовитель вправе отказать в гарантийном обслуживании изделия.

При невозможности определить дату продажи изделия, гарантийный срок исчисляется с даты его производства.

Дата производства изделия определяется по реестру Изготовителя в соответствии с серийным номером изделия.

Официальный срок службы бытового электрического воздухоочистителя TIMBERK, установленный изготовителем, составляет 3 года, со дня передачи изделия потребителю.

Указанный срок службы действителен только при условии соблюдения правил эксплуатации и правильного ухода за изделием.

Во избежание недоразумений убедительно просим Вас внимательно

изучить Руководство по эксплуатации изделия и условия гарантийных обязательств, проверить правильность заполнения бланка гарантийного талона. Согласно требованиям Изготовителя, гарантийный талон действителен только при наличии четко и правильно указанных данных: модели, серийного номера изделия, даты покупки, данных фирмы-продавца, подписи покупателя. Соответствующие данные также должны быть указаны продавцом на отрывных талонах.

Модель и серийный номер изделия (на маркировочной (идентификационной) наклейке Изготовителя на изделии (TIMBERK ID) должны соответствовать указанным в гарантийном талоне продавцом. При нарушении этих условий, а также в случае, когда данные, указанные в гарантийном талоне, изменены или стерты, талон может быть признан недействительным.

Данным гарантийным талоном Изготовитель подтверждает принятие на себя обязательств по удовлетворению законных требований потребителей в случае обнаружения недостатков изделия, возникших по вине Изготовителя в течение установленного гарантийного срока.

Гарантийный срок для бытового электрического воздухоочистителя TIMBERK, установленный изготовителем, составляет 1 год, со дня передачи изделия потребителю.

Для ряда территорий могут действовать исключительные правила гарантии, увеличивающие срок на изделие или компоненты. Такие правила устанавливаются только по распоряжению Производителя официальным письмом Производителя.

Гарантийные обязательства дополняют и уточняют оговоренные законом обязательства, предполагающие соглашение сторон либо договор; выдаются Изготовителем в дополнение к законным правам потребителей и ни в коей мере их не ограничивают.

Гарантия Изготовителя действительна только на территории РФ на изделия, купленные на территории РФ и изготовленные для РФ.



### ВНИМАНИЕ!

Если изделие использовалось в соответствии с его целями применения, установленными Руководством по эксплуатации, в рамках осуществления предпринимательской деятельности, то гарантийный срок изделия составляет 3 (три) месяца с момента продажи изделия или 5 (пять) месяцев с момента производства изделия, если дата продажи не установлена\*.

### Изготовитель оставляет за собой право:

- отказать в гарантийном сервисном обслуживании изделия в случае несоблюдения изложенных ниже условий (см. «Досрочное прекращение гарантийного обслуживания»);
- самостоятельно инициировать независимую экспертизу для выяснения обстоятельств, приведших к выходу прибора из строя;
- сравнивать предоставленную маркировочную (идентификационную) наклейку изделия (TIMBERK ID) с данными реестров производства для проверки соответствия серийного номера изделия уникальным производственным номерам реестров.

Просим Вас хранить Гарантийный талон в течение всего гарантийного срока, установленного Изготовителем на приобретенное Вами изделие.

При покупке изделия требуйте от продавца проверку его комплектности и отсутствия механических повреждений в Вашем присутствии, а также правильного и четкого заполнения данного гарантийного талона. Претензии по некомплектности и выявленным механическим повреждениям после продажи изделия не принимаются.

Для гарантийного ремонта предъявляйте данный Гарантийный талон вместе с товарным (кассовым) чеком или другим документом, подтверждающим дату и факт продажи изделия на территории РФ.

### Досрочное прекращение гарантийного обслуживания.

Все условия гарантийного обслуживания регулируются Законодательством РФ и Законом РФ «О защите прав потребителей». В частности, отказ в бесплатном гарантийном обслуживании изделия может быть вызван:

- нарушением при оформлении гарантийного талона при продаже изделия;
- отсутствием товарного или кассового чека о продаже изделия или невозможностью определить продавца изделия;
- наличием следов механических повреждений, возникших после передачи изделия потребителю и явившихся возможной причиной возникновения дефекта;
- наличием повреждений, вызванных несоответствием стандартам параметров питающих сетей и других подобных внешних факторов, а также вызванных использованием нестандартных, неоригинальных (или некачественных) аксессуаров, принадлежностей, запасных частей, элементов и т.д.;

- нарушением правил Руководства по эксплуатации данного изделия;
- наличием следов несанкционированного вскрытия и/или ремонта изделия, повлекших за собой отказ в работе изделия;
- дефектом или отказом системы или ее части, где изделие использовалось как часть системы и это могло привести к дефекту или отказу изделия.

**Гарантийные обязательства не распространяются на перечисленные ниже части и принадлежности изделия, если их замена не связана с разборкой самого изделия или их замена требуется при профилактическом обслуживании:**

- дополнительные приспособления, инструмент и документацию, прилагаемую к изделию;
- расходные части изделия, подразумевающие периодическую замену за счет потребителя (фильтрующие элементы и др.);
- части и узлы изделия, неисправность которых связана с естественным износом в процессе эксплуатации (фильтрующие элементы и т.д.);
- материалы, наклеенные на изделие, имеющие рекламное или информационное назначение, за исключением маркировочной (идентификационной) наклейки Изготовителя (TIMBERK ID).



### ВНИМАНИЕ!

Если в результате экспертизы/диагностики изделия установлено, что его недостатки возникли вследствие обстоятельств, за которые не отвечает продавец (изготовитель), либо недостатки в товаре отсутствуют, Потребитель обязан возместить продавцу (изготовителю или уполномоченной изготовителем организации) расходы на проведение экспертизы (диагностики), а также связанные с ее проведением расходы на хранение и транспортировку товара в соответствии с Законом РФ «О защите прав потребителей» № 171-ФЗ в ред. от 21.12.2004 ст. 18 п.5.



### **Изготовитель не несет гарантийных обязательств за изделие в следующих случаях:**

- если изделие использовалось в иных целях, не соответствующих его прямому назначению в соответствии с Руководством по эксплуатации;
- если на изделии отсутствует маркировочная (идентификационная) табличка Изготовителя (TIMBERK ID);
- если изделие имеет следы несанкционированного вскрытия, не предусмотренного Руководством по эксплуатации, и попыток неквалифицированного ремонта;
- если дефект вызван изменением/нарушением конструкции или схемы изделия, не предусмотренным Изготовителем;
- если обнаружены повреждения, вызванные попаданием внутрь изделия посторонних предметов, веществ, жидкостей, насекомых, скоплением большого количества пыли;
- если обнаружены повреждения, вызванные подключением к электрической сети с недопустимыми параметрами;
- если дефект вызван действием непреодолимых сил, несчастными случаями, умышленными или неосторожными действиями потребителя или третьих лиц;
- неправильного хранения (консервации / разборки-сборки на период хранения) изделия;

Изготовитель снимает с себя любую ответственность за возможный вред, прямо и или косвенно нанесенный продукцией TIMBERK людям, домашним животным, и имуществу, в случаях, если это произошло в результате несоблюдения правил и условий эксплуатации или вследствие неквалифицированного, обслуживания и ремонта изделия, умышленных или неосторожных действий потребителя или третьих лиц.



### **ВНИМАНИЕ!**

Если маркировочная (идентификационная) наклейка на изделии TIMBERK (TIMBERK ID) закреплена на изделии не плотно и существует риск ее утери, то клейте ее в гарантийный талон на последней странице.

Изготовитель не несет гарантийных обязательств в случаях поломки изделия по причине несвоевременной замены и/или профилактической обработки фильтрующих элементов.



### **ПРИМЕЧАНИЕ:**

Пожалуйста, потребуйте от продавца полностью, четко и правильно заполнить бланк Гарантийного талона и отрывные талоны.

## Бланк гарантийного талона.

Заполняется фирмой-продавцом

Изделие	
Модель	
Серийный номер	
Дата продажи	
Фирма-продавец	
Адрес фирмы продавца	
Телефон фирмы продавца	

**Без подписи покупателя Гарантийный талон является недействительным.**



Печать фирмы-продавца
--------------------------

Заполняется сервисным центром

«А»

Дата приема	
Дата выдачи	
Особые отметки	

Печать сервисного центра
-----------------------------

«Б»

Дата приема	
Дата выдачи	
Особые отметки	

Печать сервисного центра
-----------------------------

«В»

Дата приема	
Дата выдачи	
Особые отметки	

Печать сервисного центра
-----------------------------

«Г»

Дата приема	
Дата выдачи	
Особые отметки	

Печать сервисного центра
-----------------------------

Подписывая данный гарантийный талон, Покупатель признает, что он:

1. Проверил заполнение информации.
2. Получил Руководство по эксплуатации на изделие на русском языке.
3. Владеет всей необходимой информацией о приобретенном изделии и его потребительских свойствах, характеристиках в соответствии со статьей 10 Закона РФ «О защите прав потребителей».
4. Ознакомлен и полностью согласен с условиями и ограничениями гарантийного обслуживания, а также с условиями установки / подключения / сервисного обслуживания / эксплуатации приобретенного изделия.
5. Не имеет претензий к внешнему виду / комплектности / работоспособности (если прибор проверялся в его присутствии при продаже) приобретенного изделия.

Подпись покупателя (с расшифровкой)

\_\_\_\_\_ / \_\_\_\_\_ /

Дата \_\_\_\_\_

**Отрывной талон«А»**

Изделие	
Модель	
Серийный номер	
Дата продажи	
Фирма-продавец	

Заполняется фирмой-продавцом

Печать  
фирмы-продавца

**Отрывной талон«Б»**

Изделие	
Модель	
Серийный номер	
Дата продажи	
Фирма-продавец	

Заполняется фирмой-продавцом

Печать  
фирмы-продавца

**Отрывной талон«В»**

Изделие	
Модель	
Серийный номер	
Дата продажи	
Фирма-продавец	

Заполняется фирмой-продавцом

Печать  
фирмы-продавца

**Отрывной талон«Г»**

Изделие	
Модель	
Серийный номер	
Дата продажи	
Фирма-продавец	

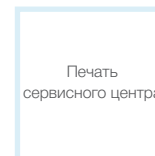
Заполняется фирмой-продавцом

Печать  
фирмы-продавца



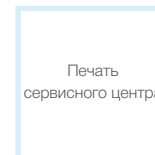
Дата приема	
Дата выдачи	
Номер заказа-наряда	
Проявление дефекта	
Мастер	
Код неисправности	

Заполняется сервисным центром



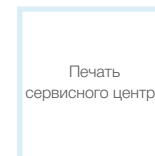
Дата приема	
Дата выдачи	
Номер заказа-наряда	
Проявление дефекта	
Мастер	
Код неисправности	

Заполняется сервисным центром



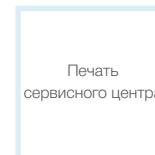
Дата приема	
Дата выдачи	
Номер заказа-наряда	
Проявление дефекта	
Мастер	
Код неисправности	

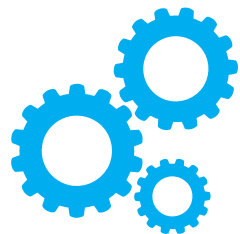
Заполняется сервисным центром



Дата приема	
Дата выдачи	
Номер заказа-наряда	
Проявление дефекта	
Мастер	
Код неисправности	

Заполняется сервисным центром





[www.btpart.ru](http://www.btpart.ru)

Все расходные материалы для  
продукции TIMBERK вы можете  
приобрести на сайте [www.btpart.ru](http://www.btpart.ru)

**Уважаемый покупатель!**

TIMBERK предоставляет вам специальный сервис в рамках программы клиентской поддержки. Теперь вы всегда сможете заказать и оформить доставку на запасные части и расходные материалы, необходимые для оптимальной, качественной работы техники TIMBERK в течение всего срока службы на едином портале [www.btpart.ru](http://www.btpart.ru).

Всю информацию о работе портала вы также всегда сможете увидеть на сайте [www.timberk.com](http://www.timberk.com). Мы искренне надеемся, что этот уникальный дополнительный сервис поможет вам сделать жизнь с TIMBERK еще удобнее!



**RU**

## Руководство по эксплуатации техники Timberk написано на английском языке и переведено на русский язык.



**BY**

В целях информирования покупателей техники TIMBERK, мы дополнительно сообщаем, что русский является государственным языком в следующих государствах:



**OS**

- в Российской Федерации
- в Республике Беларусь наряду с белорусским языком
- в частично признанной Южной Осетии наряду с осетинским языком



**KZ**

Русский язык является официальным языком (во всех случаях другой язык или другие языки выступают как государственный или второй официальный) в следующих государствах и на территориях:



**AK**



**KG**

- в Республике Казахстан
- в Киргизской Республике
- в административных единицах Украины, где доля носителей русского языка составляет более 10%, при соответствующем решении местных советов
- в Автономной Республике Крым



**UA**



**TJ**

В Республике Таджикистан русский язык признан по Конституции языком межнационального общения.



**CIS**

Официальным языком международной организации Содружество Независимых Государств (СНГ) является русский язык.

Если вы заметили ошибку в руководстве по эксплуатации, пожалуйста, сообщите нам об этом, связавшись с нами по электронной почте, указанной на сайте [www.timberk.com](http://www.timberk.com)

If you found any mistake in this manual please let us know by email listed on [www.timberk.com](http://www.timberk.com)





[www.timberk.com](http://www.timberk.com)

**EAC**