

Dreame Cordless Vacuum Cleaner User Manual

EN	User Manual	1
DE	Benutzerhandbuch	22
FR	Manuel d'utilisation	43
IT	Manuale utente	64
ES	Manual de usuario	85
RU	Руководство пользователя	106
SA	دليل المستخدم	128
PL	Instrukcja obsługi	150
HE	מדריך למשתמש	172
PT	Manual do utilizador	194

Safety Instructions

To prevent accidents including electric shock or fire caused by improper use, please read this manual carefully before use and retain it for future reference.

Warning

This product can be used by children aged from 8 years and above and persons with physical, sensory, intellectual deficiencies, or limited experience or knowledge under the supervision of a parent or guardian to ensure safe operation and to avoid any risk of hazards. Cleaning and maintenance shall not be made by children without supervision.

The vacuum is not a toy. Children shall not play with or operate this product. Please exercise caution when using the vacuum near children. Do not allow children to clean or maintain the vacuum unless supervised by a parent or guardian.

Do not use the vacuum outdoors or on wet surfaces. Only use the vacuum on dry indoor surfaces. Do not touch the plug or any part of the vacuum with wet hands.

To reduce the risk of fire, explosion, or injury, check to make sure the lithium battery and charging adapter are undamaged before use. Do not use the vacuum if either the lithium battery or charger is damaged.

The multi-brush bar, mini electric brush, battery, extension rod, LED crevice nozzle, flexible adapter, and vacuum are electrically conductive and should not be immersed in water or other liquid. Make sure to dry all filters after cleaning.

Prevent injury caused by moving parts. Turn off the vacuum before cleaning the multi-brush bar and mini electric brush. The multi-brush bar, dust cup and filter must all be properly installed before using the vacuum.

Only use the original charging adapter. Never use an unoriginal adapter.

Do not use the vacuum to pick up flammable or combustible liquids, such as gasoline, or bleach, ammonia, drain cleaners or other liquids.

Do not use the vacuum to pick up drywall particles, ashes like fireplace ash, or smoking or burning materials such as coal, cigarette butts or matches.

Check the area to be cleaned before use. To prevent the openings from being blocked, clear the larger paper, spitball, plastic cloth or sharp objects such as glass, nails, screws, coins, etc. and any object which is larger than openings.

Keep hair, loose clothing, fingers and other parts of the body away from the vacuum's openings and moving parts. Do not point the hose, wand or tools at your eyes or ears or put them in your mouth.

Do not put any object into the vacuum's openings. Do not use the vacuum with any opening blocked. Keep free of dust, lint, hair, or other items which may reduce airflow.

Do not lean the vacuum against a chair, table, or other unstable surface, as this may

cause damage to the machine or personal injury. If the vacuum becomes damaged or is otherwise malfunctioning, please contact our authorized service department. Never attempt to disassemble the device on your own.

All instructions in the manual for recharging the battery must be strictly followed. Failure to properly charge the battery within the specified temperature range could damage the battery.

Only use accessories and replacement parts that are approved by Dreame.

Make sure the vacuum is unplugged when not used for extended periods as well as prior to performing any maintenance or repairs.

Please be extra careful when using the vacuum to clean stairs.

Do not install, charge, or use this product outdoors, in bathrooms, or around a pool.

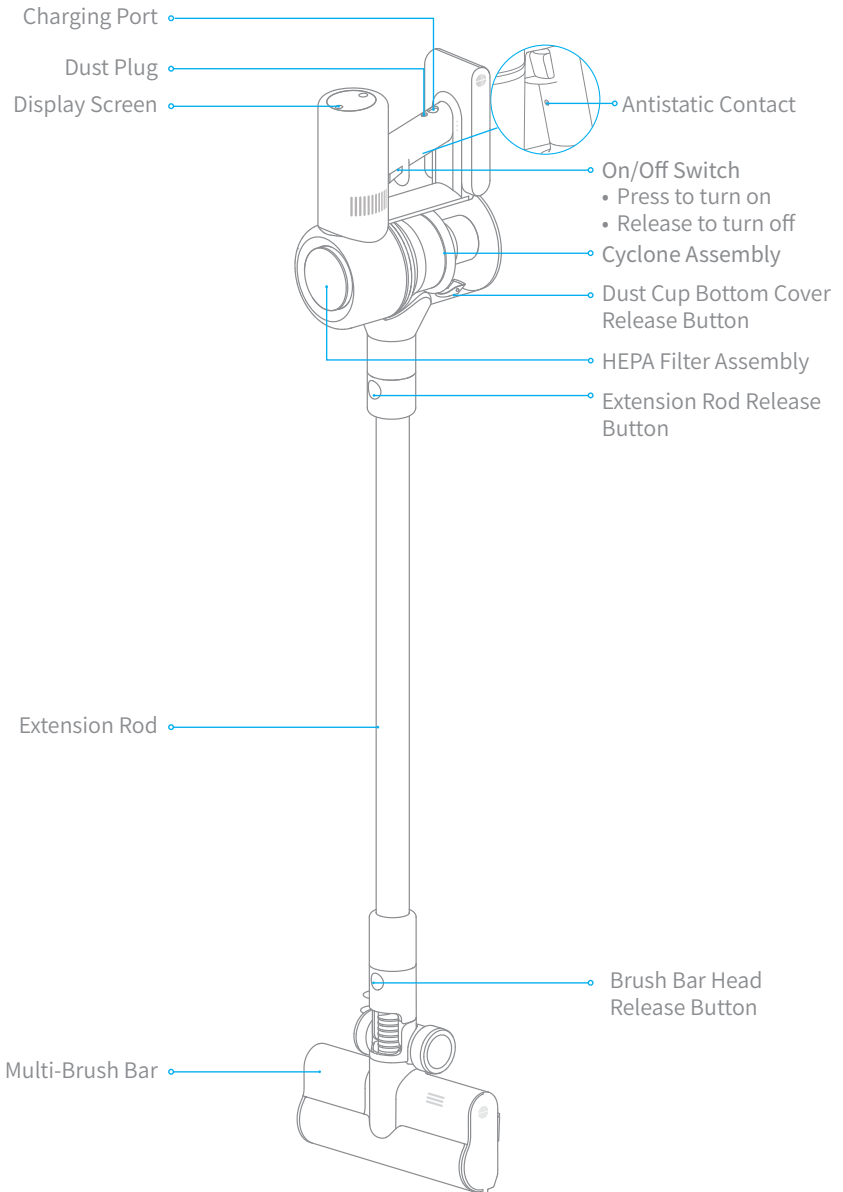
Fire Hazard Warning: Do not apply any type of fragrance to the vacuum's filter. These types of products are known to contain flammable chemicals which may cause the vacuum to catch fire.

This product is designed for home use only.

We, Dreame Trading (Tianjin) Co., Ltd., hereby, declares that this equipment is in compliance with the applicable Directives and European Norms, and amendments. The full text of the EU declaration of conformity is available at the following internet address: www.dreame-technology.com

Product Overview

Component Names



Product Overview

Accessories



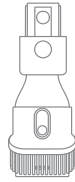
Charger



Extension Hose



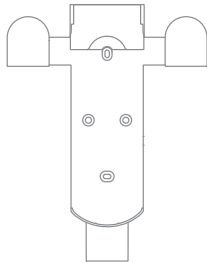
Soft Dusting Brush



2-in-1 Brush Nozzle

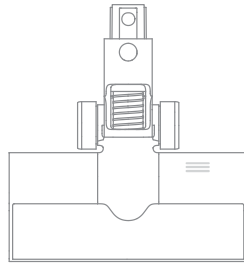


Extension Rod

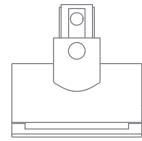


2-in-1 Charging &
Storage Mount

(Including screws ×2, wall
plugs ×2, mounting template
sticker ×1)



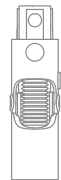
Multi-Brush Bar



Mini Electric Brush



LED Crevice Nozzle



Flexible Adapter

Note: The images in this manual are for illustrative purposes only. The actual product may differ.

Installation

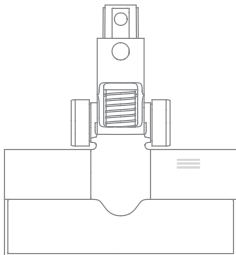
Vacuum Installation Diagram



Click

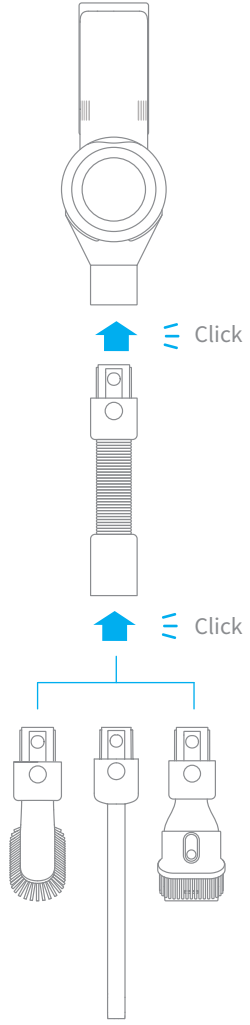
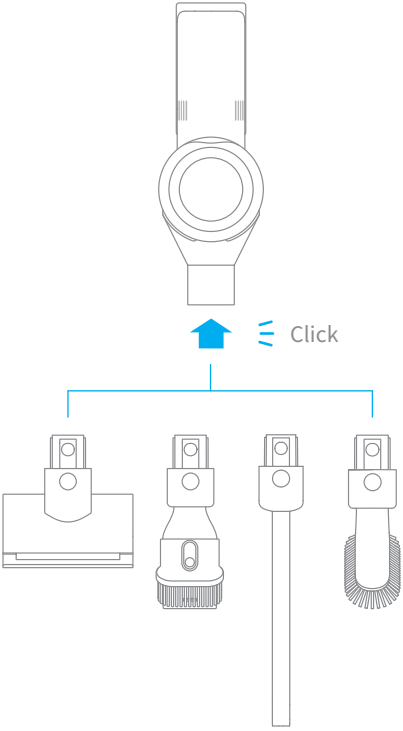


Click



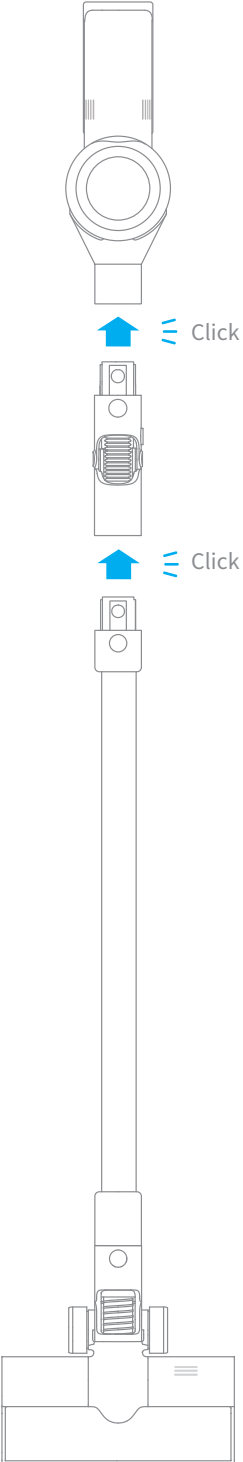
EN **Installation**

Accessories Installation
Diagram



Installation

Accessories Installation Diagram

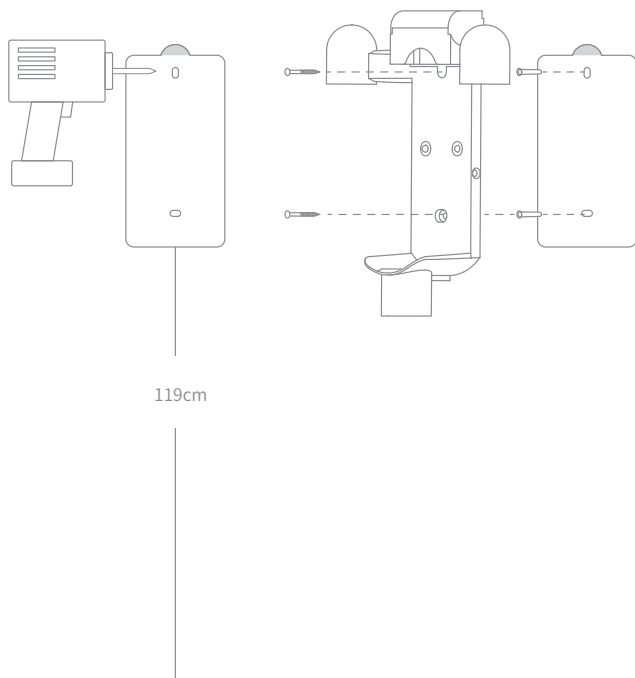


2-in-1 Charging & Storage Mount Installation Diagram

The 2-in-1 charging & storage mount is an optional accessory. You can install it based on your needs.

Note: The 2-in-1 charging & storage mount should be installed in a cool, dry place with an electrical outlet nearby. Prior to installing, ensure that there are no electrical wires or pipes in the space directly behind where the mount will be installed.

1. Paste the mounting template sticker on the wall and keep it parallel to the ground. It is recommended that the bottom of the sticker is at least 119 cm off the ground.
2. Use a power drill with an 8mm drill bit to drill a hole into each marker on the mounting template sticker, then insert a wall plug into each hole.
3. Align the locating holes on the mount with the holes on the wall. Fasten it to the wall with the included screws.



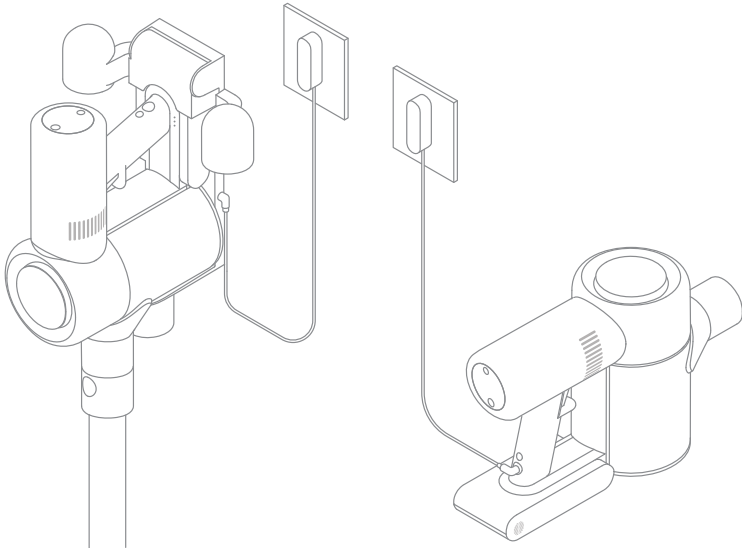
Recommended mounting height: The bottom of the mounting template sticker should be at least 119 cm from the ground.

Charging

Fully charge the vacuum before using it for the first time.

Note:

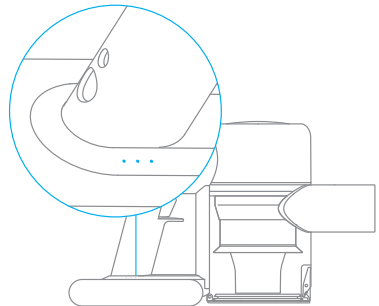
- The vacuum cannot be used while charging.
- A full charge will take about 4 hours. Vacuuming in Turbo Mode for a prolonged period will cause the battery to heat up, which increases charging time. Allow the vacuum to cool down for 30 minutes before charging it.



LED Battery Status Indicator

☀️ ● ● ○ ● ● ● ● ●

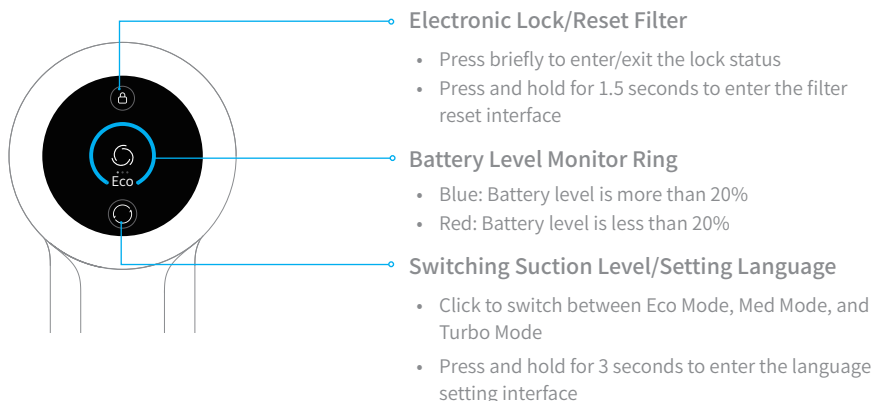
- ☀️ ● ● Low battery
- ● ● Half battery
- ○ ☀️ Nearly full
- ○ ○ Fully charged



Note: Once the vacuum is fully charged, the indicator will turn off after 5 minutes, and the vacuum will enter the energy-saving mode.

How to Use

Function introduction of Display Screen



Electronic Lock/Reset Filter

- Press briefly to enter/exit the lock status
- Press and hold for 1.5 seconds to enter the filter reset interface

Battery Level Monitor Ring

- Blue: Battery level is more than 20%
- Red: Battery level is less than 20%

Switching Suction Level/Setting Language

- Click to switch between Eco Mode, Med Mode, and Turbo Mode
- Press and hold for 3 seconds to enter the language setting interface

Note: If you need to pay attention to any abnormality during the use of the product, a prompt will appear on the screen. You should follow the instructions on the screen to keep the performance normal.

Setting Language

Press  and hold for 3 seconds to enter the language selection interface

Click  to scroll through the language list, select a language

And then press  and hold for 3 seconds to save your setting

Note: If there is no operation for more than 5 seconds, the display will be turn off.

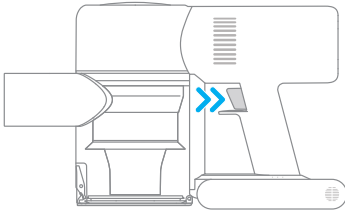
How to Use

Cleaning Mode

There are two working methods for the vacuum, which can be selected based on your own needs.

Method 1: Discontinuous Cleaning Mode

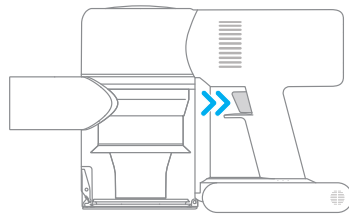
Press and hold the switch of the vacuum to enable this mode, and release it to stop immediately.



Method 2: Continuous Cleaning Mode (Electronic Lock)

Click the electronic lock key to switch to Continuous Cleaning Mode, and then briefly press the on/off switch to keep the vacuum in Continuous Cleaning Mode.

Use the electronic lock to free your finger from fatigue caused by holding the switch.



Note:

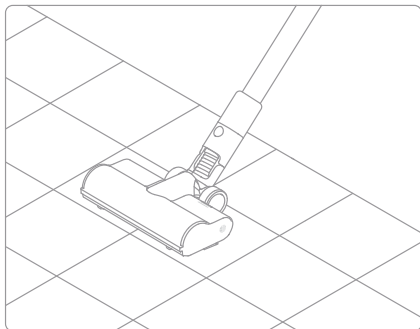
- In this mode, briefly press the on/off switch to suspend the operation or start again and the working mode of the vacuum will not change.
- Click the electronic lock again to quit Continuous Cleaning Mode.

How to Use

Using Different Accessories

Multi-Brush Bar

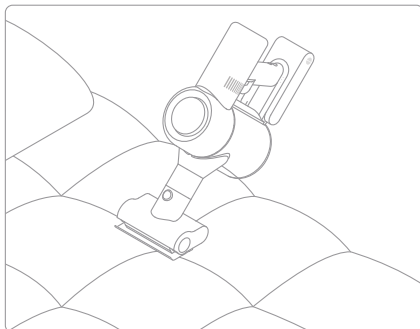
Suitable for vacuuming on the med/short pile carpets, tiles and floors.



Note: The multi-brush bar can be attached directly to the vacuum.

Mini Electric Brush

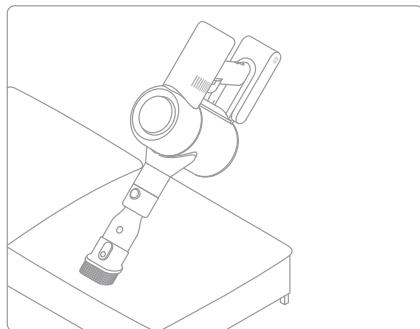
For vacuuming dirt, pet hair, and other stubborn debris from sofas, bedding, and other fabric surfaces.



Note: It is not recommended to vacuum on fragile surfaces, such as silk.

2-in-1 Brush Nozzle

For vacuuming dust from curtains, keyboards, ceilings, sofas, vehicle interiors, coffee tables, etc.

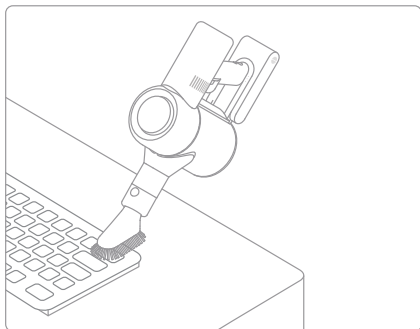


Note:

- If any rotating part becomes stuck, the vacuum may shut off automatically. Remove any trapped objects so the device can function normally.
- When the battery becomes overheated, the vacuum will automatically shut off. Wait until the battery temperature returns to normal, then the vacuum will work normally.

Soft Dusting Brush

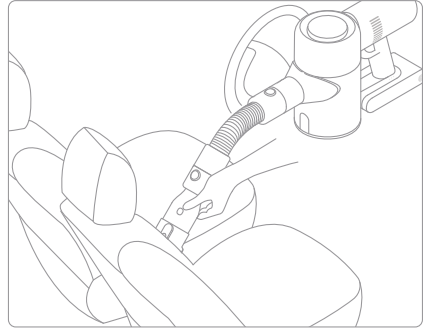
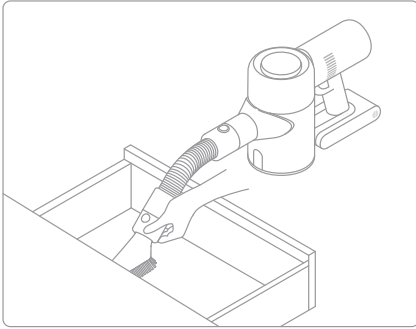
Suitable for vacuuming on LCDs, keyboards, lampshades, curtains, shutters and other surfaces of fragile objects.



How to Use

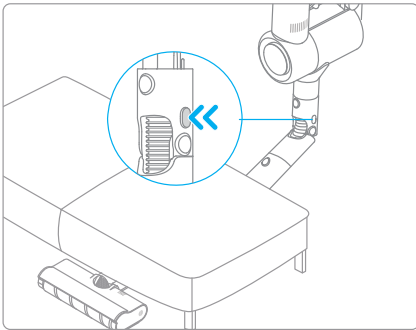
Extension Hose

It is suitable for vacuuming the corners that are not easily accessible such as drawers and cars interior when used with soft dusting brush or 2-in-1 brush nozzle.



Flexible Adapter

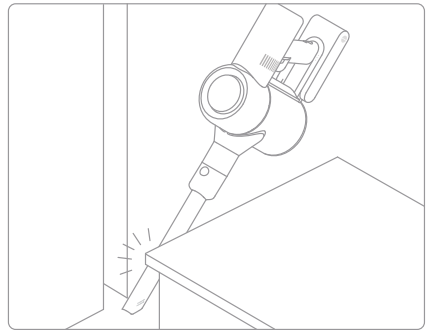
Bending and extending the rod with one click can easily reach under low-lying furniture, such as bed and sofa.



Note: Flexible adapter is suitable for vacuuming low furniture, and is not recommended to connect to the vacuum all the time in daily floor cleaning.

LED Crevice Nozzle

The nozzle is equipped with a thin suction opening and LED light. It is suitable for vacuuming the debris in the narrow places.



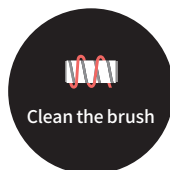
Note: The LED crevice nozzle can be used with extension hose (The LED crevice nozzle does not light when it is connected to the nonconductive extension hose).

How to Use

If you need to pay attention to any abnormality during the use of the product, a prompt will be shown on the screen. You should follow the instructions on the screen to keep the performance normal.



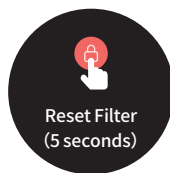
Check whether the dust cup, extension rod, and multi-brush bar are blocked.





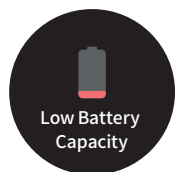
Refer to the maintenance manual [Cleaning the Multi-Brush Bar] section to clean the fiber material and hairs wrapped around the roller brush.



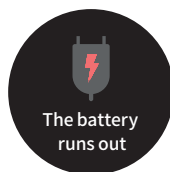
Refer to the maintenance manual [Cleaning HEPA Filter] section to remove the filter and replace it.



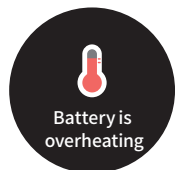
Press and hold the button  for 5 seconds to enter the countdown to reset the HEPA filter. Wait and until  appears on the screen, the reset is successful.



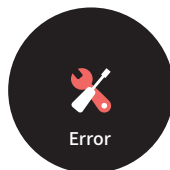
Please charge as soon as possible.



Please charge as soon as possible.



Please wait and continue to use after battery temperature is normal.



Please contact our after-sales service department for maintenance.

Care & Maintenance

Tips:

1. Before cleaning the dust cup, disconnect the adapter and keep the vacuum's power switch in the off position. And do not press its power button.
2. Always use genuine parts to keep your warranty from becoming void.
3. If the vacuum is not used for an extended period, fully charge it, unplug its power adapter, and store it in a cool, low-humidity environment away from direct sunlight. To avoid over-discharging the battery, recharge the vacuum at least once every 3 months.

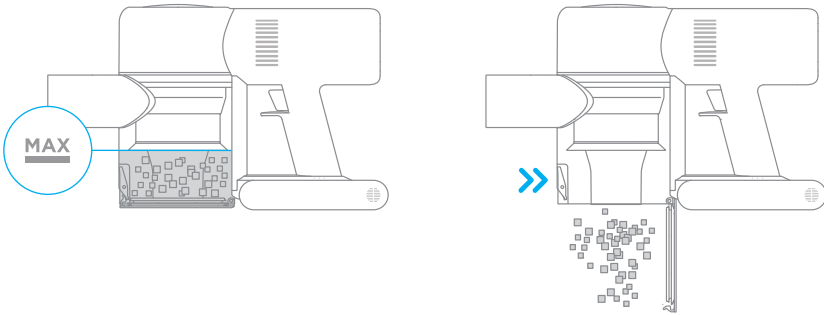
Cleaning the Vacuum

Wipe the vacuum with a soft dry cloth.

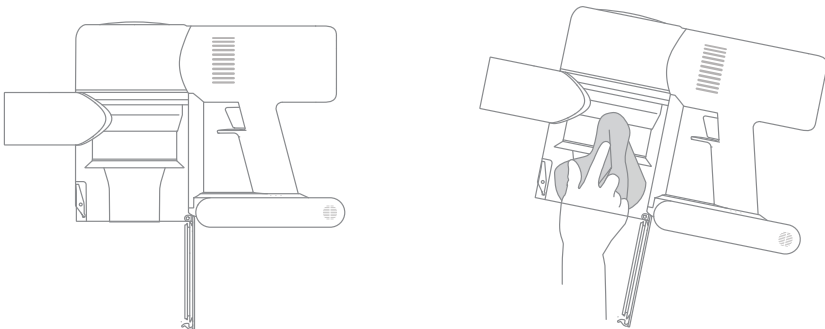
Cleaning the Dust Cup

The vacuum's cleaning ability will be reduced if the dust cup is filled to the "MAX" mark. To retain performance, remember to empty the cup.

1. Empty the dust cup: Press the release button on the bottom of the cup, then empty its contents.



2. Clean the dust cup: Use a dry cloth or paper towel to wipe the dust from the inner wall of the dust cup.

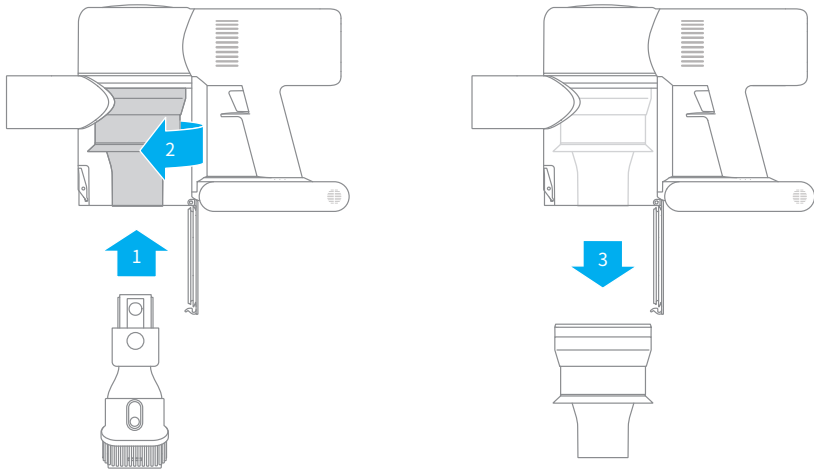


Care & Maintenance

Cleaning the Cyclone Assembly

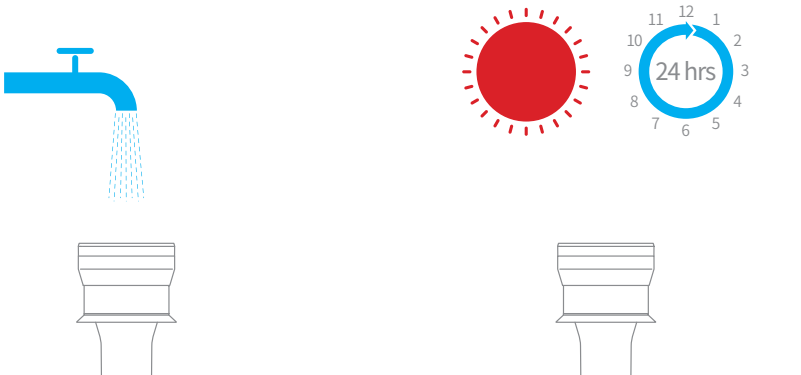
1. Rotate the cyclone assembly in the direction as illustrated to unlock it, then remove the cyclone assembly.

Note: Use the 2-in-1 brush nozzle to remove cyclone separator from the housing. Turn the nozzle in the direction as shown in the diagram for a thorough cleaning.



2. Rinse the cyclone assembly with water until it is clean. Thoroughly dry the cyclone assembly.

Note: Keep it in a ventilated or cool place for at least 24 hours.

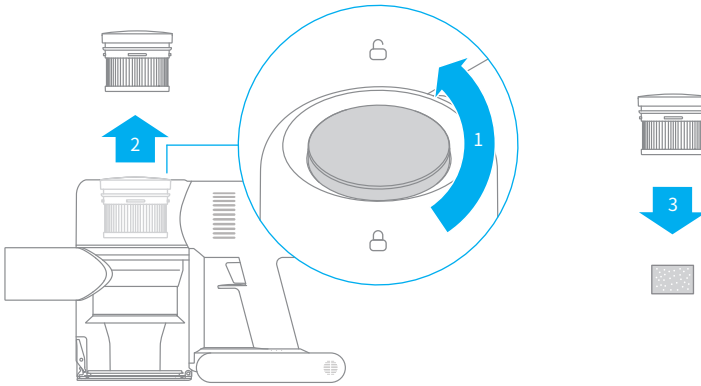


Care & Maintenance

Cleaning the HEPA Filter Assembly

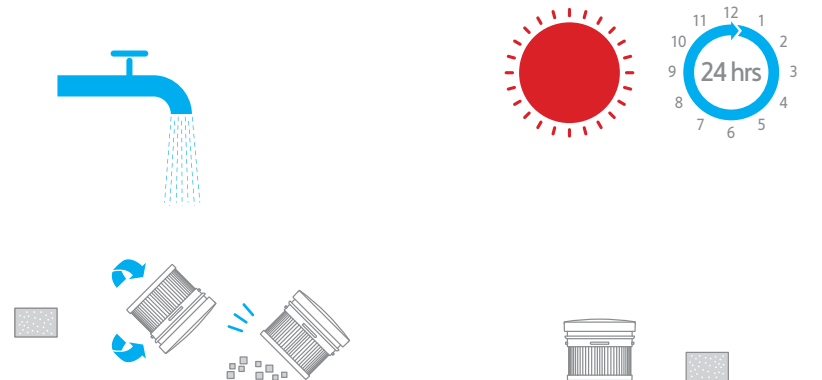
1. Place the vacuum securely on a flat surface, then turn the HEPA filter assembly cover in the direction indicated and remove the HEPA filter assembly.

Note: Remove the built-in foam pad before cleaning the HEPA filter assembly.



2. Rinse the HEPA filter and foam pad with water. To thoroughly remove all the dust caught in the filter, rotate the HEPA filter 360 degrees while rinsing. Lightly tap the filter against a sink several times to remove any excess debris. Keep the HEPA filter in a well-ventilated and cool place to fully dry.

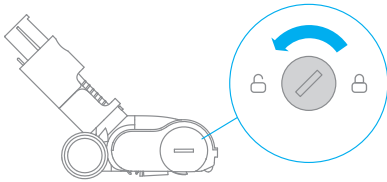
Note: Fully dry the filter (at least 24 hours) before reinstalling it.



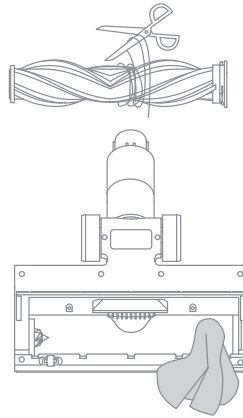
Care & Maintenance

Cleaning the Multi-Brush Bar

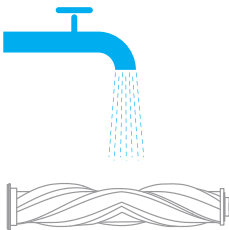
1. Turn the lock counterclockwise until it stops, then remove the roller brush from the brush bar.



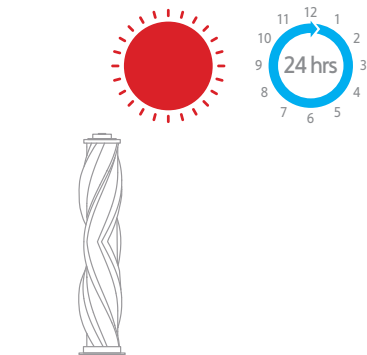
2. Use scissor to cut off the hairs and fibers that get stuck on the brush bar head. Wipe the dust from the notch and transparent cover with a dry cloth or paper towel. Thoroughly dry before use.



3. When it is dirty, rinse the roller brush with clean water until it is clean.



4. Stand the roller brush upright for at least 24 hours until it is fully dry.

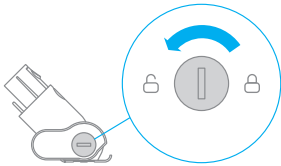


Care & Maintenance

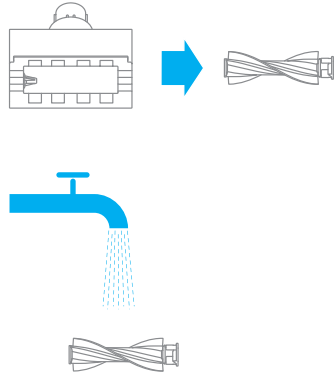
Cleaning the Mini Electric Brush

1. Use a coin as illustrated to rotate the lock counterclockwise until you hear a click.

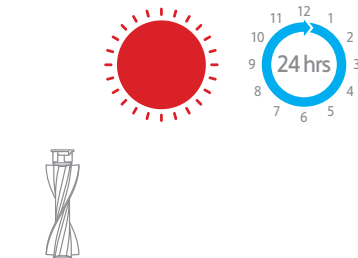
Note: It is recommended to clean the mini electric brush after each use.



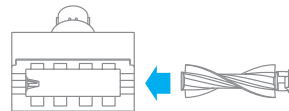
2. After unlocking the mini roller brush, remove it from the mini electric brush, then rinse and clean the brush head.



3. Stand the mini roller brush upright in a well-ventilated area for at least 24 hours until it is fully dry.



4. Once the mini roller brush is dry, reinstall it by following the disassembly steps in reverse.



If the vacuum is not working properly, please refer to the troubleshooting table below.

Errors	Possible Causes	Solutions
The vacuum does not work.	The vacuum is out of battery or low on power.	Fully charge the vacuum, then continue to use it.
	Overheat protection mode triggered by a blockage.	Clean the suction openings or air duct. Wait until the vacuum cools down, then reactivate it.
	Suction opening or air duct is blocked.	Clear any blockage from suction opening or air duct.
Weak suction force.	Dust cup is full and/or HEPA filter assembly is clogged.	Empty the dust cup and clean the HEPA filter assembly.
	Attachment is blocked.	Clear any blockage in the attachment.
Motor is making a strange noise.	Main suction opening or extension rod is blocked.	Clear any blockage in main suction opening or extension rod.
The first indicator is red after turning on the vacuum.	Battery pack is damaged.	Please contact after-sales service department for maintenance.
The first indicator blinks red when charging the vacuum.	The charger is incompatible.	Only use the original charger to charge the vacuum.
The battery indicator does not light while charging.	The adapter is not connected to the vacuum.	Make sure the power adapter is plugged in properly.
	The battery is fully charged and went into sleep mode.	The vacuum can be used normally.
	If the problem persists after ruling out the above two possibilities.	Please contact the after-sales service department for maintenance.
The vacuum charges slowly.	Battery temperature is too low or too high.	Wait until the battery's temperature returns normal, then continue to use the vacuum.

Specifications

Vacuum Cleaner			
Model	VVT1	Charging Time	Approx. 4 hours
Charging Voltage	30 V ===	Rated Voltage	25.2 V ===
Rated Power	550 W	Nominal Capacity	3000 mAh
Multi-Brush Bar		Mini Electric Brush	
Model	AVB9	Model	DM002
Rated Power	40 W	Rated Power	20 W

This product contains batteries that can only be replaced by qualified technicians or after-sales service.

This product contains batteries that are non-replaceable.

WEEE Information



All products bearing this symbol are waste electrical and electronic equipment (WEEE as in directive 2012/19/EU) which should not be mixed with unsorted household waste. Instead, you should protect human health and the environment by handing over your waste equipment to a designated collection point for the recycling of waste electrical and electronic equipment, appointed by the government or local authorities. Correct disposal and recycling will help prevent potential negative consequences to the environment and human health. Please contact the installer or local authorities for more information about the location as well as terms and conditions of such collection points.

Sicherheitshinweise

Um zu vermeiden, dass es durch unsachgemäße Benutzung zu Stromschlägen oder Bränden kommt, sollten Sie dieses Handbuch vor der Benutzung sorgfältig durchlesen und es aufbewahren, um künftig nachschlagen zu können.

Warnung

Dieses Produkt kann von Kindern im Alter ab acht Jahren und von Personen mit physischen, sensorischen und intellektuellen Einschränkungen oder begrenzter Erfahrung oder Wissen benutzt werden, dies muss jedoch unter Aufsicht von Eltern oder einer Aufsichtsperson erfolgen, um einen sicheren Betrieb zu gewährleisten und Gefahren auszuschließen. Eine Wartung und Reinigung durch Kinder darf nur unter Aufsicht erfolgen.

Der Staubsauger ist kein Spielzeug. Kinder dürfen mit dem Produkt nicht spielen oder es benutzen. Seien Sie bei der Benutzung des Staubsaugers in der Nähe von Kindern bitte vorsichtig. Gestatten Sie es Kindern keinesfalls, den Staubsauger zu reinigen oder zu warten, außer unter Aufsicht eines Elternteils oder Vormunds.

Der Staubsauger darf nicht im Freien oder auf nassen Oberflächen benutzt werden. Der Staubsauger darf nicht mit nassen Händen berührt werden.

Um das Risiko von Bränden, Explosionen und Verletzungen zu mindern, prüfen Sie vor der Benutzung bitte den Lithium-Akku und das Ladegerät auf Beschädigungen. Der Staubsauger darf nicht benutzt werden, wenn der Lithium-Akku oder das Ladegerät beschädigt ist.

Die Multi-Oberflächenbürste, die elektrische Mini-Bürste, der Akku, das Verlängerungsrohr, die LED Spaltenbürste, der flexible Adapter und der Staubsauger können Strom leiten und sollten nicht in Wasser oder andere Flüssigkeiten getaucht werden. Bitte achten Sie darauf, dass alle Filter nach der Reinigung getrocknet werden.

Vermeiden Sie Verletzungen durch bewegliche Teile. Schalten Sie das Gerät aus, bevor Sie den Multi-Oberflächenbürstekopf und die elektrische Mini-Bürste reinigen. Die Multi-Oberflächenbürste, der Staubbehälter und der Filter müssen alle richtig eingesetzt werden, bevor der Staubsauger verwendet werden kann.

Benutzen Sie ausschließlich das Original-Ladegerät. Die Benutzung eines nicht originalen Ladegerätes kann zu einer Entzündung des Lithium-Akkus führen.

Der Staubsauger darf nicht benutzt werden, um brennbare oder entzündliche Flüssigkeiten wie Benzin, Bleiche, Ammoniak, Abflussreiniger oder andere Flüssigkeiten aufzusaugen.

Der Staubsauger darf nicht benutzt werden, um Gipspartikel, Asche (z. B. Kaminasche) oder Rauch- oder Brennmaterialien wie Kohle, Zigarettenstummel oder Streichhölzer aufzusaugen.

Der Staubsauger darf nicht benutzt werden, um scharfe oder harte Objekte wie Glas, Nägel, Schrauben oder Münzen aufzusaugen, da dies zu Schäden am Gerät führen kann.

Halten Sie Haare, lose Kleidung, Finger und andere Körperteile von den Öffnungen des Staubsaugers und den beweglichen Teilen fern. Der Schlauch, das Rohr und das Werkzeug dürfen nicht auf Augen oder Ohren gerichtet werden oder in den Mund genommen werden.

Stecken Sie keine Gegenstände in die Öffnungen des Staubsaugers. Der Staubsauger darf nicht genutzt werden, wenn eine Öffnung blockiert ist. Er muss frei von Staub, Flusen, Haaren und anderen Gegenständen gehalten werden, die den Luftstrom behindern könnten. nicht genutzt werden, wenn eine Öffnung blockiert ist. Er muss frei von Staub, Flusen, Haaren und anderen Gegenständen gehalten werden, die den Luftstrom behindern könnten.

Lehnen Sie den Staubsauger nicht gegen Stühle, Tische oder andere instabile Flächen, da dies zu Schäden am Gerät oder Verletzungen führen kann. Falls der Staubsauger durch Umkippen beschädigt wird oder sonst defekt ist, wenden Sie sich bitte an unsere autorisierte Serviceabteilung. Versuchen Sie nie, das Gerät selbst zu zerlegen.

Beim Aufladen des Akkus sind alle Anweisungen in dieser Anleitung strikt zu befolgen. Wenn bei der Aufladung des Akkus der angegebene Temperaturbereich nicht eingehalten wird, kann der Akku beschädigt werden.

Verwenden Sie nur Zubehör und Ersatzteile, die von Dreame akzeptiert werden.

Stellen Sie sicher, dass der Staubsauger nicht mit dem Stromnetz verbunden ist, wenn Sie ihn über längere Zeit nicht benutzen. Der Staubsauger muss außerdem vom Stromnetz getrennt werden, bevor Wartungs- und Reparaturarbeiten erfolgen.

Bitte seien Sie besonders vorsichtig, wenn Sie den Staubsauger zur Treppenreinigung verwenden.

Dieses Produkt darf nicht im Freien, in Badezimmern oder in der Nähe eines Schwimmbeckens benutzt, installiert oder geladen werden.

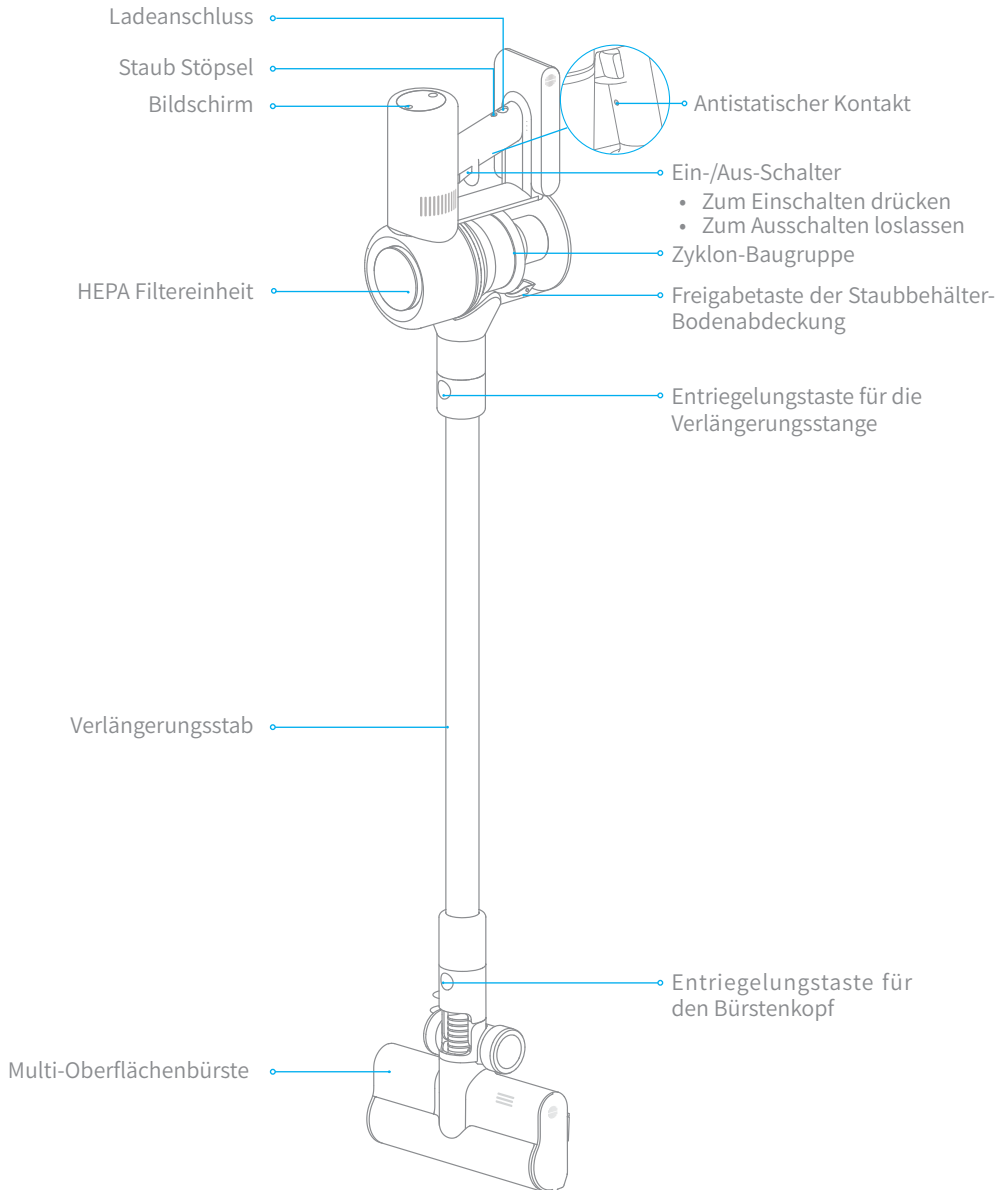
Warnung vor Brandgefahr: Auf den Filter dürfen keinesfalls Duftstoffe jeglicher Art aufgetragen werden. Diese Art von Produkten enthält häufig brennbare Chemikalien, die dazu führen könnten, dass das Gerät Feuer fängt.

Das Produkt ist nur für den Heimgebrauch bestimmt.

Wir, Dreame Trading (Tianjin) Co., Ltd., bestätigen hiermit, dass dieses Gerät mit den geltenden Verordnungen und europäischen Normen sowie etwaigen Ergänzungen in Einklang steht. Der vollständige Wortlaut der EU-Konformitätserklärung ist unter der folgenden Internetadresse abrufbar: www.dreame-technology.com

Produktübersicht

Bauteilbezeichnung



Produktübersicht

Zubehörliste



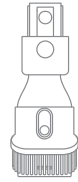
Ladegerät



Verlängerungsschlauch



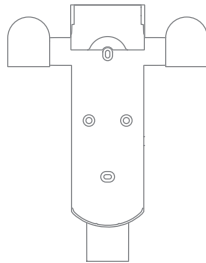
Weiche Staubbürste



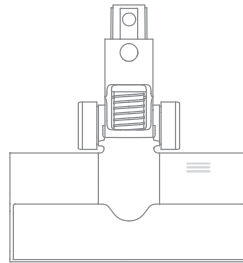
2-in-1 Bürstendüse



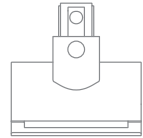
Verlängerungsrohr



2-in-1 Lade- und
Aufbewahrungshalterung
(einschließlich 2 x Schrauben, 2 x Dübel und
Montagevorlage-Aufkleber)



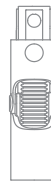
Multi-Oberflächenbürste



Elektrische
Mini-Bürste



LED Spaltdüse

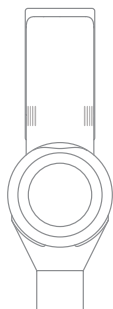


Flexibler Adapter

Hinweis: Die Abbildungen in diesem Handbuch dienen nur als Referenz, bitte beziehen Sie sich auf das tatsächliche Aussehen.

Installation

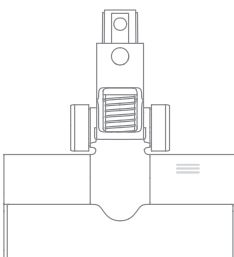
Installation des Zubehörs
am Staubsauger



Hineinstecken, bis
ein Klick ertönt

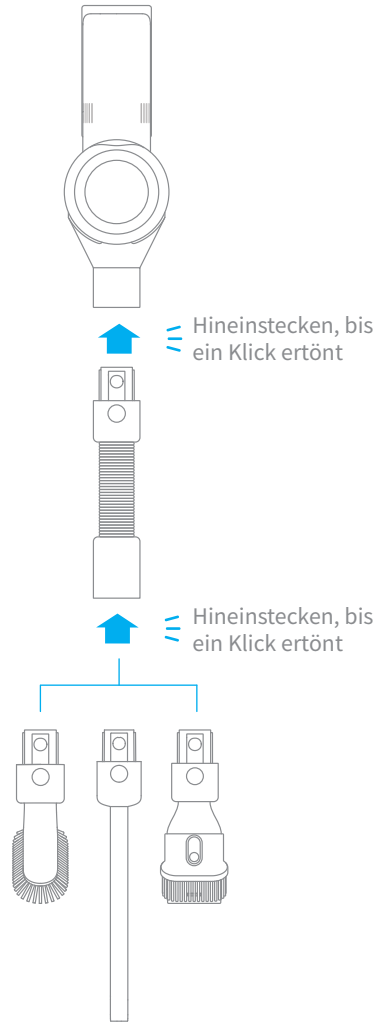
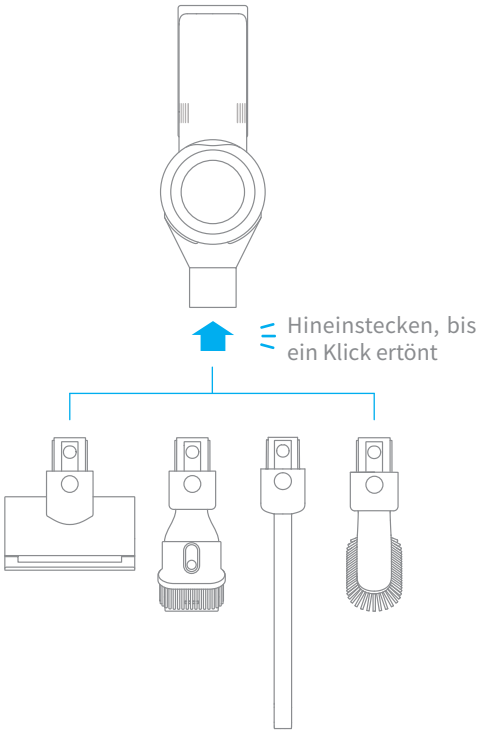


Hineinstecken, bis
ein Klick ertönt



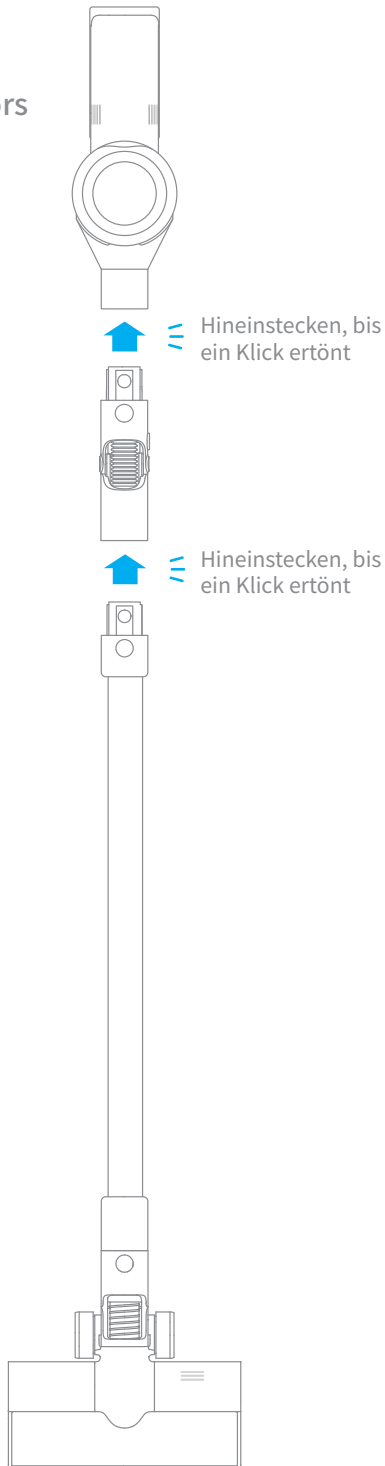
Installation

Verbindung des Zubehörs



Installation

Verbindung des Zubehörs

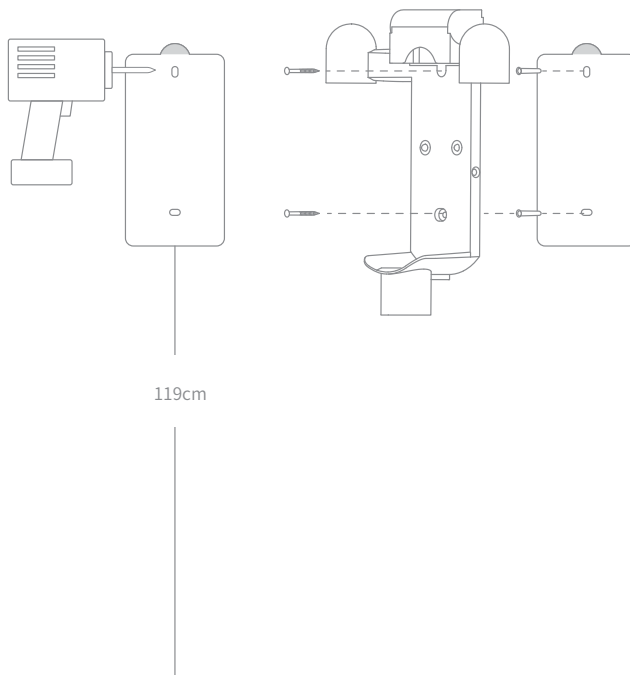


Installation der 2-in-1 Lade- und Aufbewahrungshalterung

Die 2-in-1 Lade- und Aufbewahrungshalterung ist ein optionales Zubehörteil, das Sie nach Ihrem persönlichen Bedarf montieren können.

Hinweis: Die 2-in-1 Lade- und Aufbewahrungshalterung sollte an einem kühlen, trockenen Ort in der Nähe einer Steckdose installiert werden. Vor der Installation sollten Sie sicherstellen, dass sich in dem Raum direkt hinter der Wandoberfläche, an der die Halterung installiert werden soll, keine Kabel oder Drähte befinden.

1. Der untere Rand des Montagevorlage-Aufklebers sollte mindestens 119 cm über dem Boden und parallel zum Boden sein.
2. Verwenden Sie eine Bohrmaschine mit einem 8-mm-Bohrer, um ein Loch in jede Lochmarkierung auf dem Montageschablone-Aufkleber zu bohren, und setzen Sie dann in jedes Loch einen Dübel ein.
3. Richten Sie die Befestigungslöcher der 2-in-1 Lade- und Aufbewahrungshalterung mit den Löchern an der Wand aus und befestigen Sie die Halterung dann mit den mitgelieferten Schrauben an der Wand.



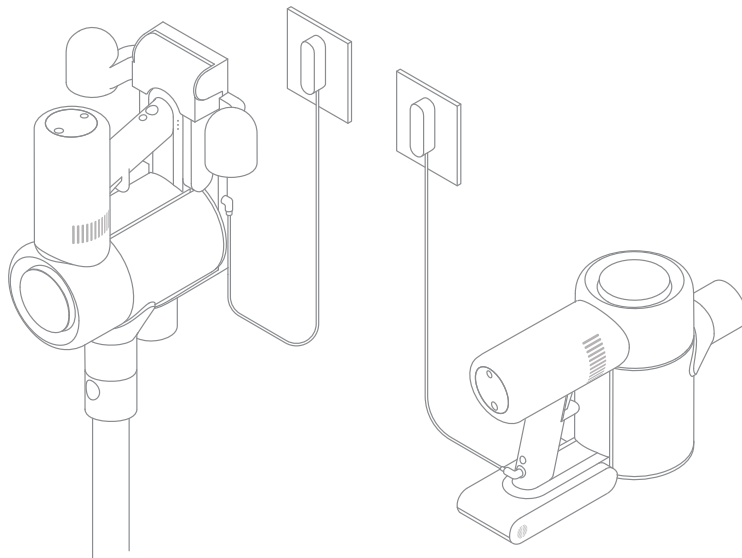
Empfohlene Montagehöhe: Der untere Rand des Montagevorlage-Aufklebers sollte mindestens 119 cm über dem Boden sein.

Ladevorgang läuft

Vor der erstmaligen Benutzung sollte der Staubsauger voll aufgeladen werden.

Hinweis:

- Der Staubsauger kann während des Ladens nicht benutzt werden.
- Dies dauert etwa 4 Stunden. Wenn Sie über längere Zeit im Turbomodus Staub saugen, kann dies zur Erhitzung des Akkus führen, was eine längere Ladezeit zur Folge hat. Lassen Sie daher den Staubsauger vor dem Aufladen 30 Minuten abkühlen.



Akkustandanzeige

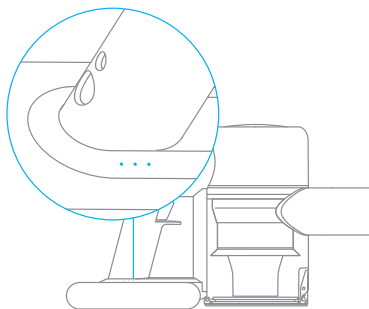
☀ Blinken ○ Ein ● Aus

☀ ● ● Niedriger Akkustand

○ ☀ ● Akkuladestatus 50 %

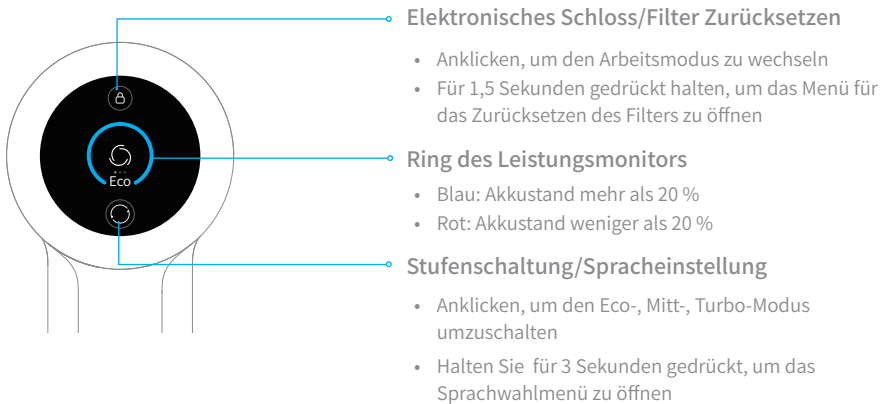
○ ○ ☀ Fast voll

○ ○ ○ Voll aufgeladen






Hinweis: Wenn der Staubsauger voll geladen ist, schaltet sich die Anzeige nach 5 Minuten ab und das Gerät wird in den Energieeinsparmodus versetzt.

Funktionseinführung in die Bildschirmanzeige



Hinweis: Wenn irgendein Fehler bei der Verwendung des Produkts auftritt, wird der Bildschirm eine Fehlermeldung ausgeben. Sie sollten den Anweisungen auf dem Bildschirm folgen, um die normale Leistung sicherzustellen.

Spracheinstellung

Halten Sie  für 3 Sekunden gedrückt, um das Sprachwahlmenü zu öffnen. Klicken Sie auf , um durch die Sprachenliste zu blättern. Wählen Sie die gewünschte Sprache aus, und halten Sie dann  für 3 Sekunden gedrückt, um Ihre Einstellung zu speichern.

Hinweis: Wenn für mehr als 5 Sekunden keine Handlung stattfindet, schaltet sich das Display aus.

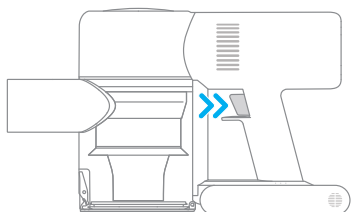
Benutzung

Reinigungsmodus

Es gibt zwei Betriebsarten für den Staubsauger, die nach Ihren eigenen Bedürfnissen ausgewählt werden können.

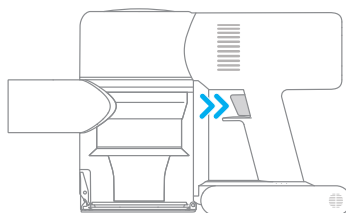
Modus 1: Diskontinuierlicher Reinigungsmodus

Halten Sie den Schalter des Staubsaugers gedrückt, um den Betrieb aufzunehmen, und lassen Sie ihn los, um sofort zu stoppen.



Modus 2: Kontinuierliche Reinigungsmodus (Elektronische Sperre)

- Im Bereitschaftsmodus, klicken Sie auf die elektronische Sperrtaste, um in den kontinuierlichen Reinigungsmodus zu schalten, und drücken Sie dann kurz auf den Schalter, um den Staubsauger im kontinuierlichen Reinigungsmodus zu halten.
- Verwenden Sie die elektronische Sperre, um Ihre Finger zu entlasten und einer Ermüdung Ihrer Finger durch das Gedrückthalten des Schalters zu vermeiden.



Hinweis:

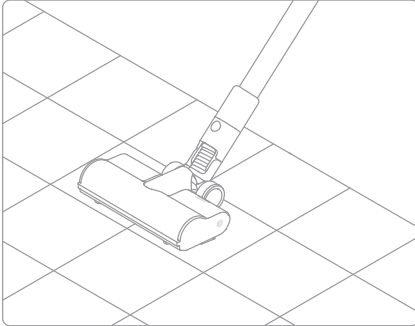
- Drücken Sie in diesem Modus kurz den Schalter, um den Betrieb auszusetzen oder erneut zu starten. Der Arbeitsmodus des Staubsaugers ändert sich nicht.
- Klicken Sie erneut auf das elektronische Schloss, um den kontinuierlichen Reinigungsmodus zu beenden.

Benutzung

Benutzung verschiedener Zubehörteile

Multi-Oberflächenbürste

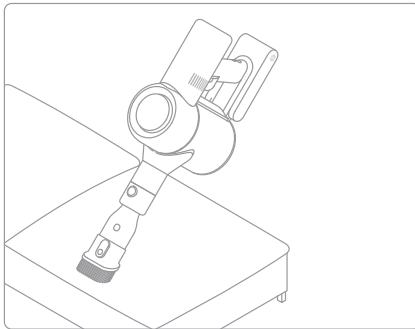
Geeignet für das Saugen von kurz- und mittellanghaarigen Teppichen, Fliesen und Böden.



Hinweis: Die Multi-Oberflächenbürste kann auch direkt an den Staubsauger angefügt werden.

2-in-1 Bürstendüse

Zum Saugen von Vorhängen, Sofas, Fahrzeuginnenräumen, Couchtischen usw.

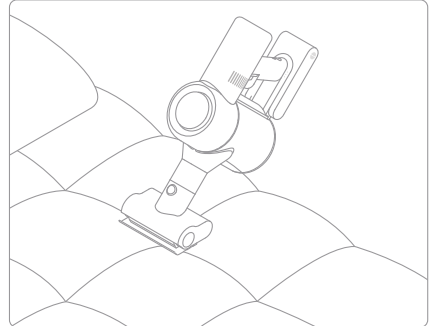


Hinweis:

- Wenn ein rotierendes Teil stecken bleibt, kann es passieren, dass der Staubsauger sich automatisch abschaltet. Entfernen Sie dann etwaige eingeklemmte Fremdkörper und setzen Sie die Benutzung fort.
- Wenn des Akkus sich überhitzt, wird der Staubsauger automatisch ausgeschaltet. Bitte warten Sie, bis sich die Temperatur des Akkus normalisiert hat, und setzen Sie erst dann die Benutzung fort.

Elektrische Mini-Bürste

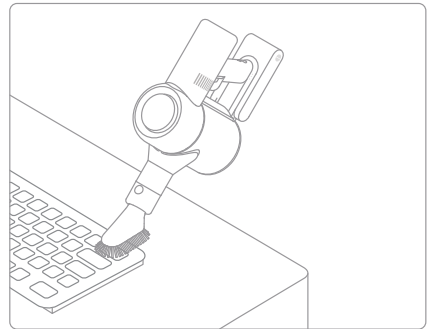
Zum Aufsaugen von Schmutz, Tierhaaren und anderen hartnäckigen Ablagerungen auf Sofas, Bettzeug und anderen Textiloberflächen.



Hinweis: Das Staubsaugen auf Oberflächen, die eingezogen werden könnten wie z. B. Seide, wird nicht empfohlen.

Weiche Staubbürste

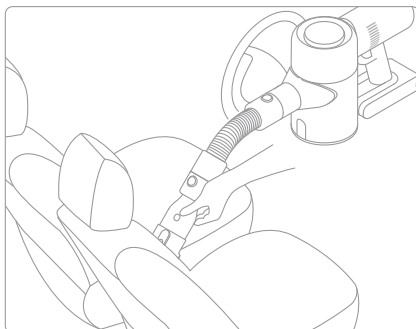
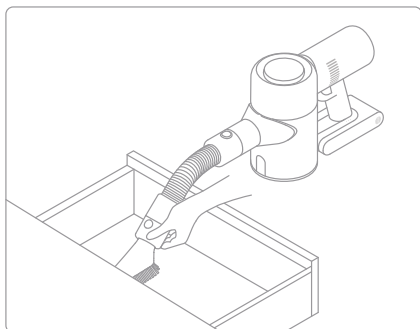
Geeignet für die Reinigung von LCDs, Tastaturen, Lampenschirmen, Vorhängen, Rollläden und anderen Oberflächen empfindlicher Objekte.



Benutzung

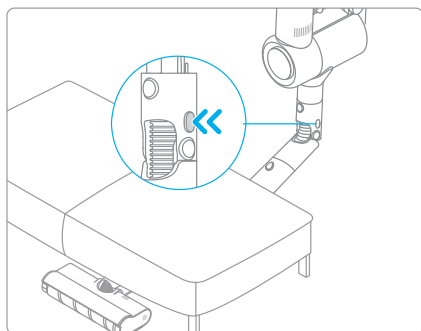
Verlängerungsschlauch

Geeignet in Kombination mit der weichen Staubbürste oder dem 2-in-1 Bürstenaufsatz für das Saugen schwer erreichbarer Ecken, so wie Schubladen, Auto-Innenräume und Sofas.



Flexibler Adapter

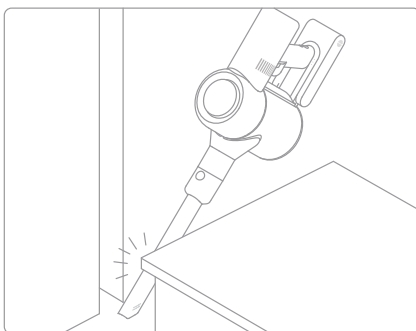
Durch Biegen und Verlängern des Rohres mit nur einem Klick, können tiefgelegene Stellen unter Möbeln, sowie Bett und Sofa, einfach erreicht werden.



Hinweis: Es wird empfohlen, den flexiblen Adapter nur für die Reinigung niedriger Möbel zu verwenden, und nicht für die normale, alltägliche Bodenreinigung.

LED Spaltdüse

Die Düse ist mit einer schmalen Saugöffnung und LED Licht ausgestattet. Sie eignet sich, um Schmutz in engen Stellen zu saugen.



Hinweis: Die LED Spaltdüse kann mit dem dem Verlängerungsrohr verwendet werden. (Das Verlängerungsrohr ist nicht leitend, daher leuchtet die LED Spaltdüse nicht, wenn sie mit dem Verlängerungsrohr verbunden ist).

Benutzung

Hinweis: Wenn irgendein Fehler bei der Verwendung des Produkts auftritt, wird der Bildschirm eine Fehlermeldung ausgeben. Sie sollten den Anweisungen auf dem Bildschirm folgen, um die normale Leistung sicherzustellen.



Überprüfen Sie, ob der Staubbehälter, die Verlängerungsstange oder der Multi-Oberflächenbürstenkopf blockiert ist.




Siehe den Abschnitt des Wartungshandbuchs [Reinigung des Multi-Oberflächenbürstenkopfs] zur Entfernung von Haaren und anderen Verschmutzungen, die sich an der Rotationsbürste verfangen haben.



Beziehen Sie sich auf den Abschnitt der Wartungsanleitung [Reinigung des HEPA-Filters], um den Filter abzunehmen und zu ersetzen.



Für 5 Sekunden gedrückt halten, um das Menü für das Zurücksetzen des Filters zu öffnen. Wenn  auf dem Bildschirm angezeigt wird, bedeutet dies, dass das Zurücksetzen erfolgreich war.



Demnächst aufladen.



Demnächst aufladen.



Warten Sie, bis die Akkutemperatur sich normalisiert hat, bevor Sie die Benutzung fortsetzen.



Wenden Sie sich bitte an den Kundendienst, um eine Wartung zu veranlassen.

Pflege und Wartung

Sicherheitsregeln für die Wartung

1. Bevor Sie den Staubbehälter leeren, sollten Sie sicherstellen, dass der Staubsauger von der Stromversorgung getrennt ist. Vermeiden Sie es außerdem, die Einschalttaste zu drücken.
2. Verwenden Sie stets Originalteile, um ein Erlöschen der Garantie zu vermeiden.
3. Wenn der Staubsauger für eine längere Zeit nicht benutzt werden wird, laden Sie ihn voll auf, trennen Sie ihn vom Netz und lagern ihn an einem kühlen und trockenen Ort ohne direkte Sonneneinstrahlung. Um eine Tiefentladung des Akkus zu vermeiden, sollte der Staubsauger mindestens einmal alle drei Monate aufgeladen werden.

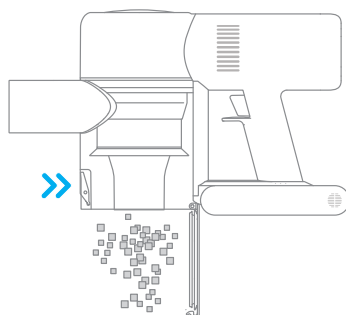
Reinigung des Staubsaugers

Reinigen Sie den Staubsauger mit einem weichen, trockenen Tuch.

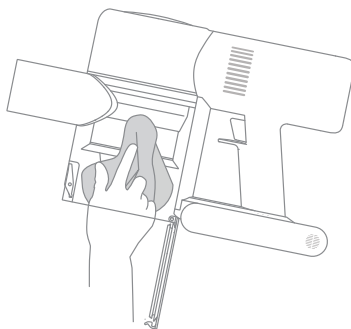
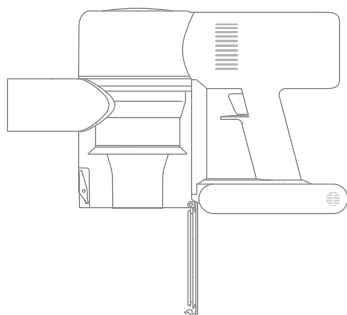
Reinigung des Staubbehälters

Die Reinigungsleistung des Staubsaugers reduziert sich, wenn das Staubteil bis zur „MAX“-Markierung gefüllt ist. Um die volle Reinigungsleistung wiederherzustellen, sollten Sie den Staubbehälter rechtzeitig leeren.

1. Entleeren des Staubbehälters: Drücken Sie die Entriegelungstaste der Bodenabdeckung des Staubbehälters und entleeren Sie dann den Inhalt.



2. Reinigen Sie den Staubbehälter: Verwenden Sie einen trockenen Tuch oder Papiertuch um den Staub an den Innenwänden des Staubbehälters zu entfernen.

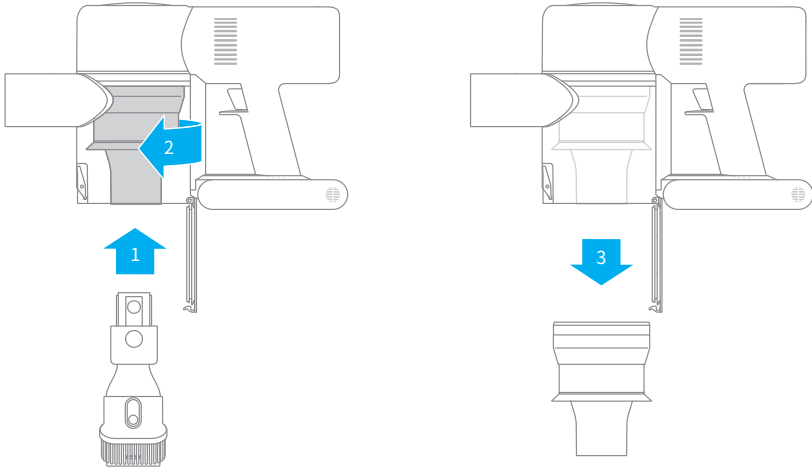


Pflege und Wartung

Reinigung der Cyclone-Baugruppe

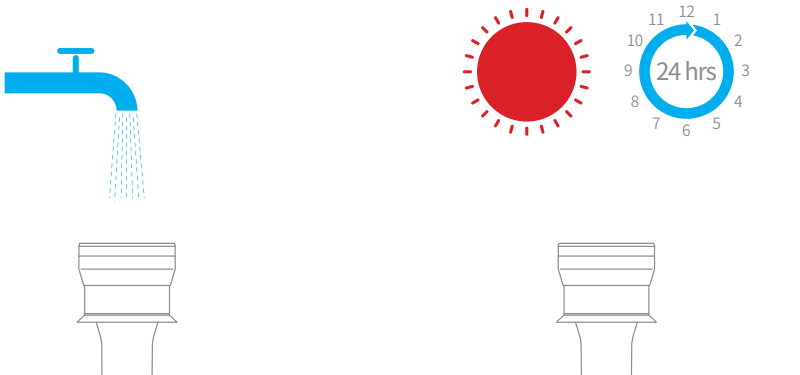
1. Drehen Sie die Cyclone-Baugruppe in die angegebene Richtung, um die Verriegelung zu lösen. Entfernen Sie die Cyclone-Baugruppe.

Hinweis: Verwenden Sie die 2-in-1 Bürstendüse um den Zyklonenabscheider vom Gehäuse zu trennen. Drehen Sie die Düse in die Richtung wie auf dem Diagramm abgebildet, um sie gründlich zu reinigen.



2. Spülen Sie die Zykloneneinheit mit Wasser ab, bis sie sauber ist. Lassen Sie die Zykloneneinheit komplett trocken.

Hinweis: Lassen Sie die Einheit für mindestens 24 Stunden an einem kühlen und trockenen Ort, bevor Sie sie erneut verwenden.

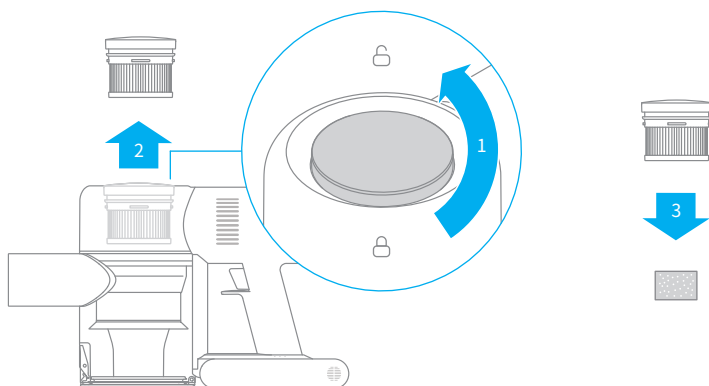


Pflege und Wartung

Reinigung des HEPA-Filter

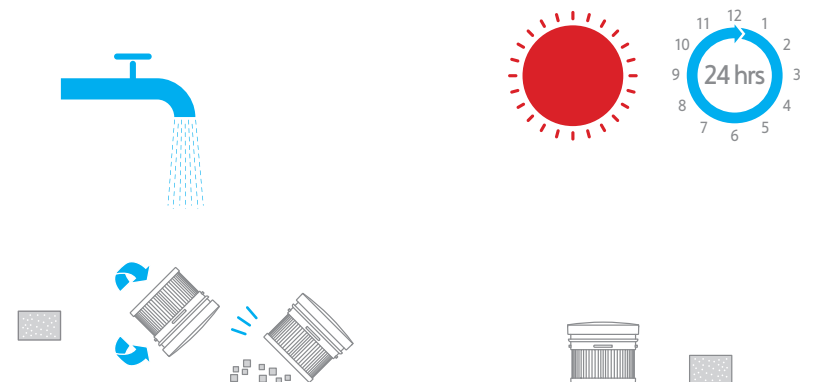
1. Platzieren Sie den Staubsauger sicher auf einer flachen Oberfläche, drehen Sie die Abdeckung der HEPA-Filtereinheit in die angegebene Richtung und entfernen Sie die HEPA-Filtereinheit.

Hinweis: Entfernen Sie das eingebaute Schaumstoffkissen bevor sie die HEPA-Filtereinheit reinigen.



2. Spülen Sie den HEPA Filter und das Schaumstoffkissen mit Wasser ab. Drehen sie während dem Abspülen den HEPA Filter um 360 Grad, um sämtlichen Staub im Filter zu entfernen. Klopfen Sie den Filter vorsichtig am Spülbecken aus, um übrigbleibenden Schmutz loszuwerden. Lassen Sie den HEPA Filter an einem gut gelüfteten und kühlen Ort komplett trocknen.

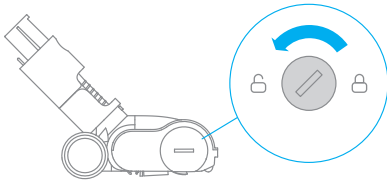
Hinweis: Lassen Sie den Filter für mindestens 24 Stunden komplett trocknen, bevor Sie ihn wieder einsetzen.



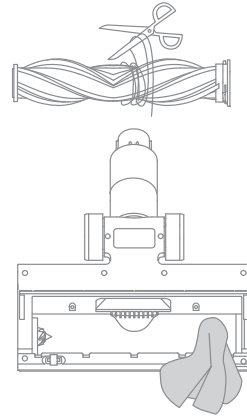
Pflege und Wartung

Die Multi-Oberflächenbürste reinigen

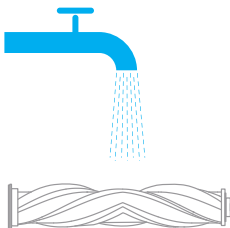
1. Drehen Sie die Verriegelung gegen den Uhrzeigersinn bis zum Anschlag, entfernen Sie dann die Rollerbürste von der Bürstenstange.



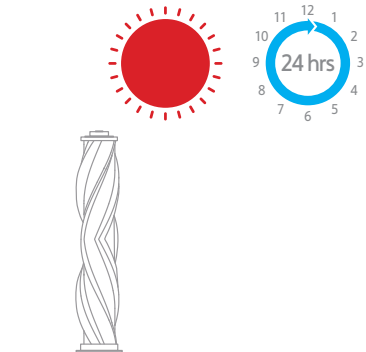
2. Verwenden Sie eine Schere, um Haare oder andere Fremdkörper, die sich an der Rollbürste verfangen haben, abzuschneiden und herauszupicken. Wischen Sie überschüssigen Staub vom Schlitz und der durchsichtigen Plastikabdeckung mit einem trockenen Tuch oder Papiertuch ab.



3. Falls sie verschmutzt ist, spülen Sie den Bürstenkopf mit sauberem Wasser ab, bis er sauber ist.



4. Nach der Wäsche sollten Sie die Rollbürste mindestens 24 Stunden in einem gut belüfteten Raum aufrecht stehen lassen, um sie gründlich zu trocknen.

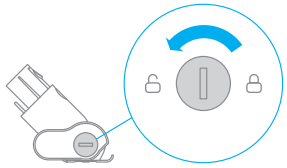


Pflege und Wartung

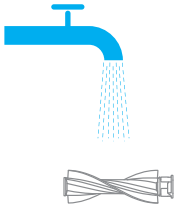
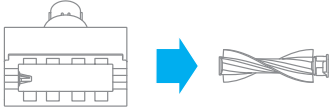
Reinigung der elektrischen Mini-Bürste

1. Drehen Sie mit Hilfe einer Münze die Verriegelung gegen den Uhrzeigersinn bis zum Klick.

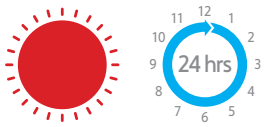
Hinweis: Es wird empfohlen, die elektrische Mini-Bürste nach jedem Gebrauch zu reinigen.



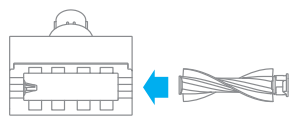
2. Nachdem Sie Rollbürste entriegelt haben, entfernen Sie diese von der elektrischen Mini-Bürste. Spülen und reinigen Sie die Rollbürste.



3. Nach der Wäsche sollten Sie die Rollbürste mindestens 24 Stunden in einem gut belüfteten Raum aufrecht stehen lassen, um sie gründlich zu trocknen.



4. Nachdem die Rollbürste getrocknet ist, montieren Sie diese erneut, indem Sie die Ausbau-Schritte in umgekehrter Reihenfolge durchführen.



Falls der Staubsauger nicht korrekt funktionieren sollte, beachten Sie bitte die folgende Tabelle, um eine Problemlösung zu finden.

Fehler	Mögliche Ursache	Lösung
Der Staubsauger funktioniert nicht.	Der Akku ist leer oder fast leer.	Laden Sie den Staubsauger vollständig auf und versuchen Sie es erneut.
	Durch eine Blockade wurde der Überhitzungsschutz ausgelöst.	Warten Sie, bis der Staubsauger abgekühlt ist und versuchen Sie es dann erneut.
	Die Saugöffnung oder der Strömungsweg ist blockiert.	Befreien Sie die Ansaugöffnung oder den Strömungsweg von etwaigen Hindernissen.
Die Saugleistung ist reduziert.	Der Staubbehälter ist voll und/oder der Filter ist verstopft.	Leeren Sie das Staubfach und reinigen Sie die HEPA-Filtereinheit.
	Das Zubehörteil ist blockiert.	Entfernen Sie Blockaden vom Zubehörteil.
Der Motor gibt ein merkwürdiges Geräusch ab.	Die Hauptsaugöffnung oder das Verlängerungsrohr ist verstopft.	Entfernen Sie Verstopfungen aus der Hauptsaugöffnung oder dem Verlängerungsrohr.
Das erste Anzeigelicht ist nach Einschalten des Staubsaugers rot.	Der Akku ist beschädigt.	Wenden Sie sich bitte an den Kundendienst, um eine Wartung zu veranlassen.
Das erste Anzeigelicht blinkt beim Laden des Staubsaugers rot.	Das Ladegerät ist nicht kompatibel.	Benutzen Sie ausschließlich das Original-Ladegerät, um den Staubsauger aufzuladen.
Die Akku-Anzeige leuchtet während des Ladevorgangs nicht auf.	Das Ladegerät ist nicht mit dem Staubsauger verbunden.	Vergewissern Sie sich, dass das Ladegerät richtig eingesteckt ist.
	Der Akku ist vollständig geladen und ist in den Energiesparmodus gewechselt.	Der Staubsauger kann normal benutzt werden.
	Wenn die beiden vorstehend genannten Möglichkeiten ausgeschlossen worden sind und das Problem weiter besteht.	Wenden Sie sich bitte an den Kundendienst, um Hilfe zu erhalten.
Der Akku wird nur langsam geladen.	Die Temperatur des Akkus ist zu hoch oder zu niedrig.	Warten Sie, bis die Akkutemperatur sich normalisiert hat und setzen Sie dann die Benutzung fort.

Spezifikationen

Staubsauger			
Modell	VVT1	Ladedauer	Ca. 4 Stunden
Ladespannung	30 V ===	Nennspannung	25,2 V ===
Bemessungsleistung	550 W	Nennkapazität	3000 mAh
Multi-Oberflächenbürste		Elektrische Mini-Bürste	
Modell	AVB9	Modell	DM002
Bemessungsleistung	40 W	Bemessungsleistung	20 W

Dieses Produkt enthält Akkus, die nur von qualifizierten Technikern oder dem Kundendienst ausgetauscht werden können.

Dieses Produkt enthält Akkus, die nicht ausgetauscht werden können.

WEEE-Informationen



Alle mit diesem Symbol gekennzeichneten Produkte sind Elektroschrott und Elektrogeräte (WEEE entsprechend EU-Richtlinie 2012/19/EU) und dürfen nicht mit unsortiertem Haushaltsmüll vermischt werden. Schützen Sie stattdessen Ihre Mitmenschen und die Umwelt, indem Sie Ihre zu entsorgenden Geräte an eine dafür vorgesehene, von der Regierung oder einer lokalen Behörde eingerichtete Sammelstelle zum Recycling von Elektroschrott und Elektrogeräten bringen. Eine ordnungsgemäße Entsorgung und Recycling helfen, negative Auswirkungen auf die Gesundheit von Umwelt und Menschen zu vermeiden. Wenden Sie sich bitte an den Installateur oder lokale Behörden, um Informationen zum Standort und den allgemeinen Geschäftsbedingungen solcher Sammelstellen zu erhalten.

Consignes de sécurité

Veillez lire attentivement ce manuel avant toute utilisation et le conserver pour pouvoir le consulter ultérieurement afin d'éviter les accidents, notamment les chocs électriques ou les incendies causés par une mauvaise utilisation.

Avertissement

Ce produit ne peut être utilisé par des enfants qu'à partir de 8 ans, et des personnes présentant des déficiences physiques, sensorielles ou intellectuelles, ou dont l'expérience et les connaissances sont limitées sous le contrôle d'un parent ou d'un tuteur pour assurer une utilisation sécurisée et éviter tout danger. Le nettoyage et l'entretien ne doivent pas être effectués par des enfants sans surveillance.

L'aspirateur n'est pas un jouet. Les enfants ne doivent pas jouer avec ce produit ou l'utiliser. Soyez vigilant lorsque vous utilisez ce produit à proximité d'enfants. Les enfants ne sont pas autorisés à nettoyer ou à entretenir l'aspirateur sans la surveillance d'un parent ou d'un adulte.

N'utilisez pas l'aspirateur à l'extérieur sur des surfaces mouillées. Utilisez-le uniquement sur des surfaces sèches à l'intérieur. Ne touchez pas la prise ou toute partie de l'aspirateur avec des mains mouillées.

Vérifiez que la batterie au lithium et l'adaptateur de charge ne sont pas endommagés avant utilisation afin de réduire le risque d'incendie, d'explosion ou de blessure. N'utilisez pas l'aspirateur si l'un de ces éléments est endommagé.

La brosse pour tout type de sol, la mini-brosse électrique, la batterie, la rallonge, la buse LED, l'adaptateur flexible et l'aspirateur sont électriquement conducteurs et ne doivent pas être immergés dans l'eau ou dans un autre liquide. Veillez à sécher tous les filtres après les avoir nettoyés.

Évitez les blessures causées par les pièces mobiles. Éteignez l'aspirateur avant de nettoyer la brosse et la mini-brosse électrique. La brosse, la cuve à poussière et le filtre doivent tous être correctement installés avant d'utiliser l'aspirateur.

Utilisez uniquement l'adaptateur de charge d'origine. N'utilisez jamais d'adaptateur d'une autre marque, car la batterie au lithium pourrait prendre feu.

N'utilisez pas l'aspirateur pour aspirer des liquides inflammables ou combustibles, comme de l'essence, ou de l'eau de javel, de l'ammoniaque, des nettoyeurs pour canalisations ou tout autre liquide.

N'utilisez pas l'aspirateur pour aspirer des particules de plâtre, des cendres ou des matériaux de combustion ou des substances fumigènes, tels que du charbon, des mégots de cigarette ou des allumettes.

N'utilisez pas l'aspirateur pour aspirer des objets durs ou pointus, comme du verre, des clous, des vis ou des pièces de monnaie sous peine d'endommager l'appareil.

Tenez vos cheveux, tout vêtement ample, vos doigts et toute autre partie du corps éloignés des orifices et des pièces amovibles de l'aspirateur. Ne dirigez pas le tuyau, le tube ou les accessoires vers vos yeux ou vos oreilles et ne les placez pas dans votre bouche.

Ne placez aucun objet dans les orifices de l'aspirateur. N'utilisez pas l'aspirateur en cas d'obstruction d'un des orifices. Retirez la poussière, les peluches, les cheveux ou tout autre élément susceptible de réduire le flux d'air.

Ne placez pas l'aspirateur contre une chaise, une table ou toute surface instable sous peine d'endommager l'appareil ou de vous blesser. Si l'aspirateur est endommagé ou fonctionne mal en raison d'une chute, contactez notre service après-vente agréé. Ne tentez jamais de démonter l'appareil vous-même.

Toutes les instructions du manuel relatives à la recharge de la batterie doivent être suivies scrupuleusement. Vous pourriez endommager la batterie si vous ne la chargez pas dans la plage de températures spécifiée.

N'utilisez que des accessoires et des pièces de rechange autorisées par Dreame.

Veillez à débrancher l'aspirateur lorsqu'il n'est pas utilisé pendant une période prolongée ou avant tout entretien ou toute réparation.

Soyez extrêmement vigilant lorsque vous utilisez l'aspirateur pour nettoyer un escalier.

Ce produit ne doit pas être installé, chargé ou utilisé à l'extérieur, dans une salle de bains ou autour d'une piscine.

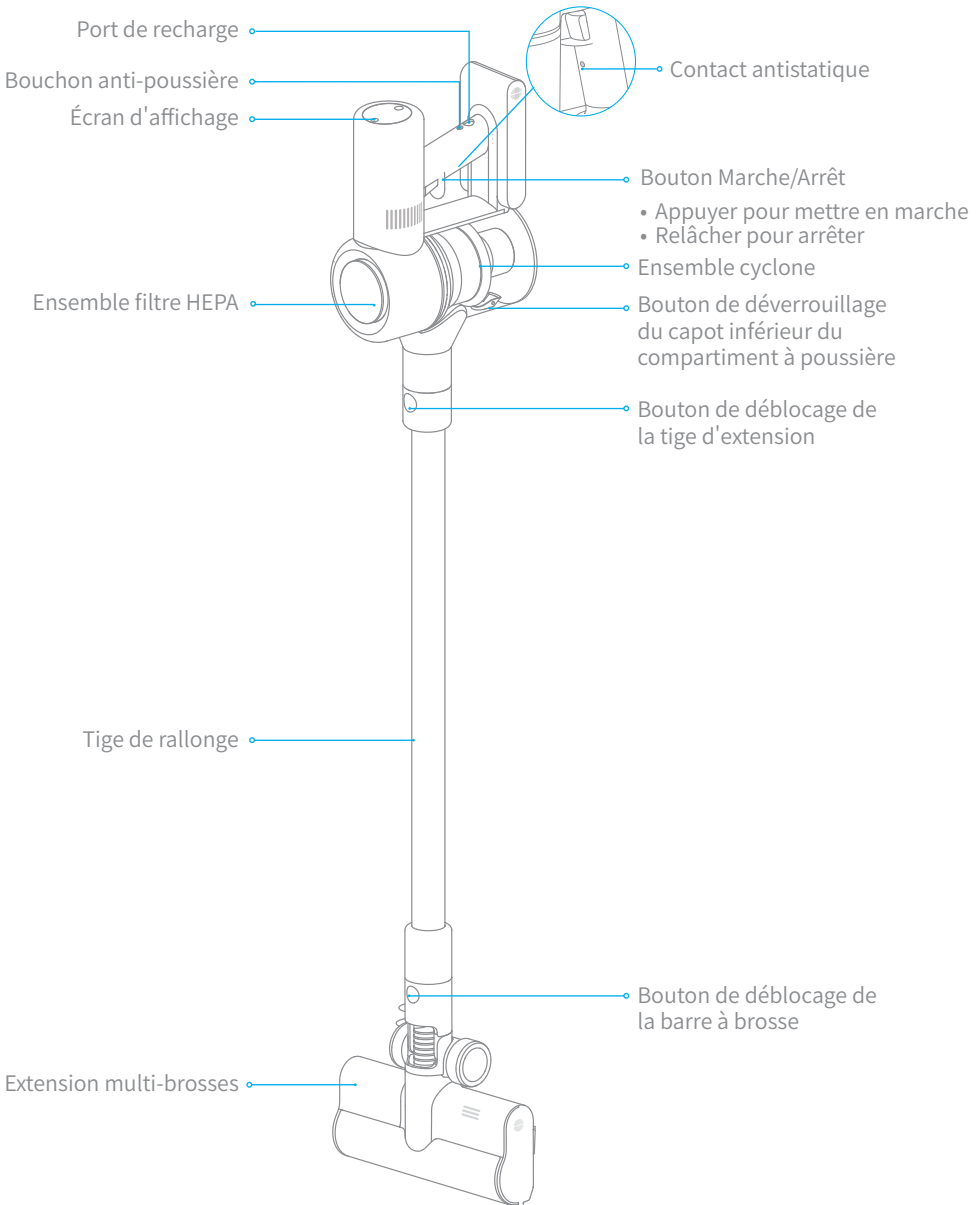
Avertissement sur le risque d'incendie : N'appliquez aucun parfum dans le filtre de l'aspirateur. L'appareil pourrait prendre feu, car ces types de produits sont connus pour contenir des produits chimiques inflammables.

Ce produit est conçu pour une utilisation domestique uniquement.

Par la présente, Dreame Trading (Tianjin) Co., Ltd., déclare que cet équipement est conforme aux directives et normes européennes applicables, ainsi qu'à leurs amendements. L'intégralité de la déclaration de conformité pour l'UE est disponible à l'adresse suivante: www.dreame-technology.com

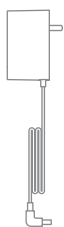
Présentation du produit

Nom du composant



Présentation du produit

Liste des accessoires



Chargeur



Tuyau souple extensible



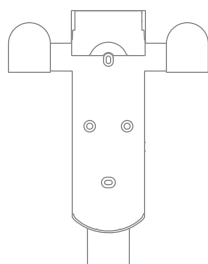
Brosse Dépoussiérante
Douce



Bec de brosse 2-en-1

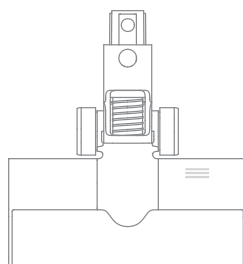


Tige de rallonge

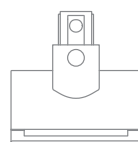


Station de charge et de
stockage 2-en-1

(inclut 2 vis, 2 chevilles murales, un
patron d'installation autocollant)



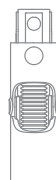
Extension multi-brosses



Mini brosse
électrique



LED Bec pour fentes

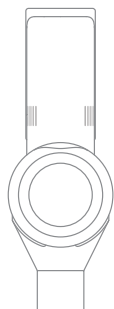


Adaptateur flexible

Remarque : Photo non contractuelle, veuillez vous référer aux objets concrets.

Procédure d'installation

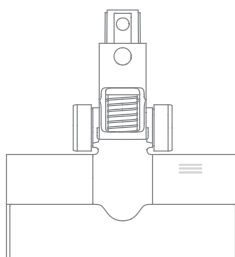
Installation des accessoires sur l'aspirateur



Insérer jusqu'à
entendre un déclic

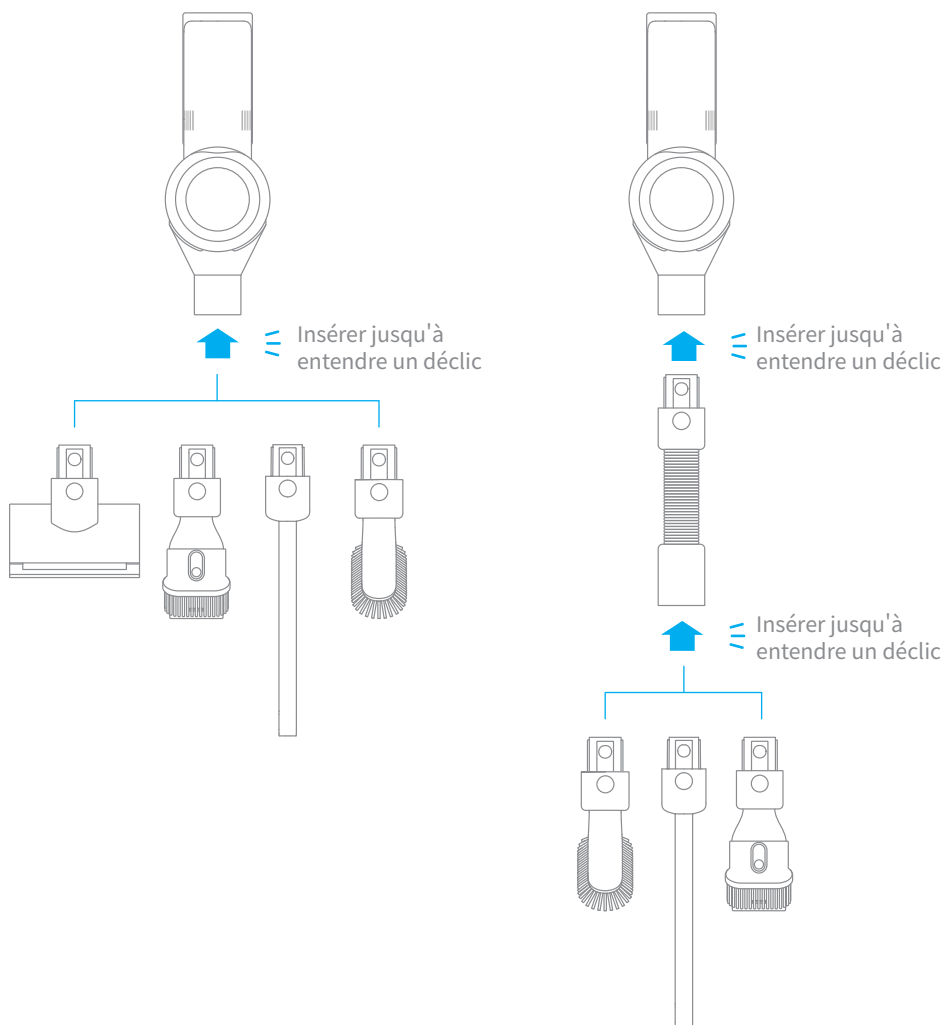


Insérer jusqu'à
entendre un déclic



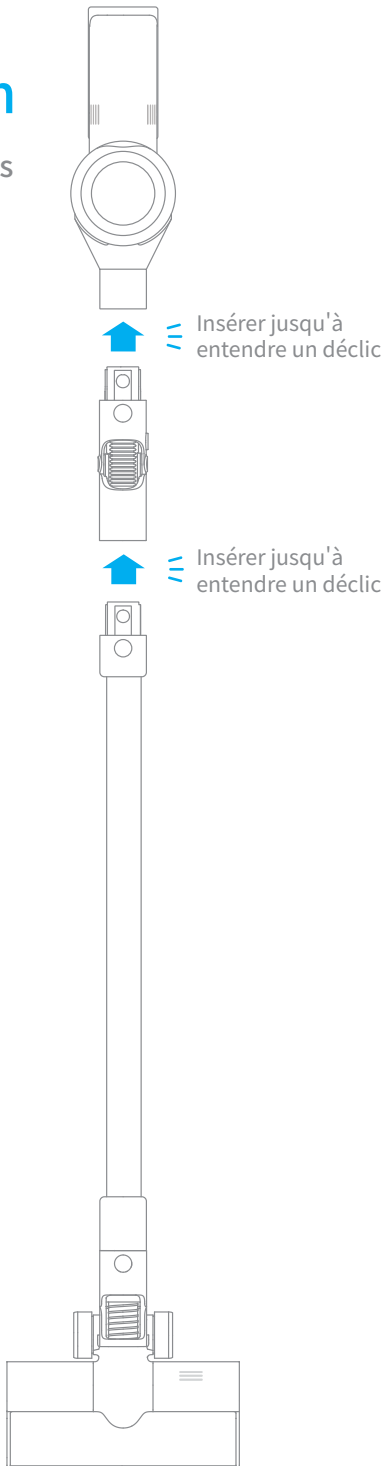
Procédure d'installation

Fixation des accessoires



Procédure d'installation

Fixation des accessoires



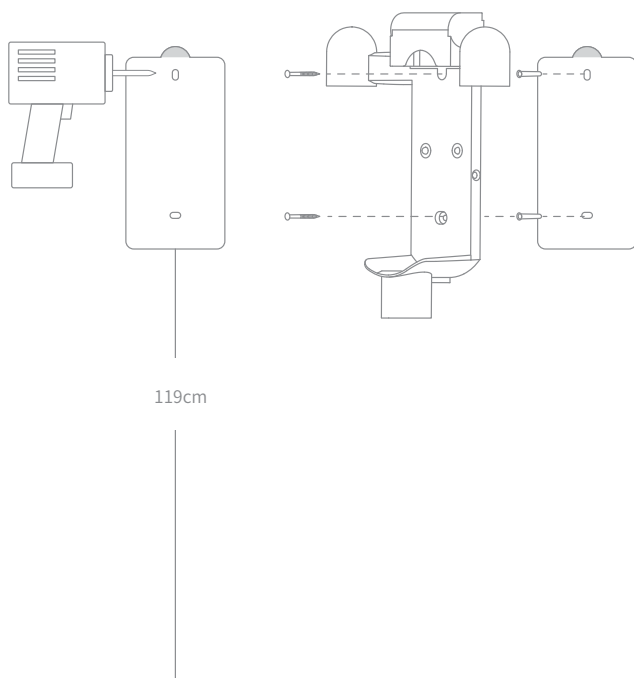
Procédure d'installation

Installation de la station de charge et de stockage 2-en-1

Cette station est un accessoire facultatif que vous pouvez installer en fonction de vos besoins.

Remarque : La station de charge et de stockage 2-en-1 doit être installée dans un lieu sec et frais, à proximité d'une prise électrique. Avant l'installation, vérifiez qu'il n'y ait pas de fil électrique ou de tuyauterie dans l'espace directement situé derrière l'emplacement où sera placée la station.

1. Collez l'autocollant du gabarit de montage sur le mur et maintenez-le parallèle au sol. Il est recommandé que le bas de l'autocollant soit à au moins 119 cm du sol.
2. Utilisez une perceuse électrique avec une fraise de 8 mm pour percer un trou à chaque emplacement indiqué sur le patron d'installation. Ensuite, insérez une cheville murale dans chaque trou.
3. Alignez les trous de montage sur la station de charge et de stockage 2-en-1 et ceux percés dans le mur. Fixez la station au mur à l'aide des vis fournies.



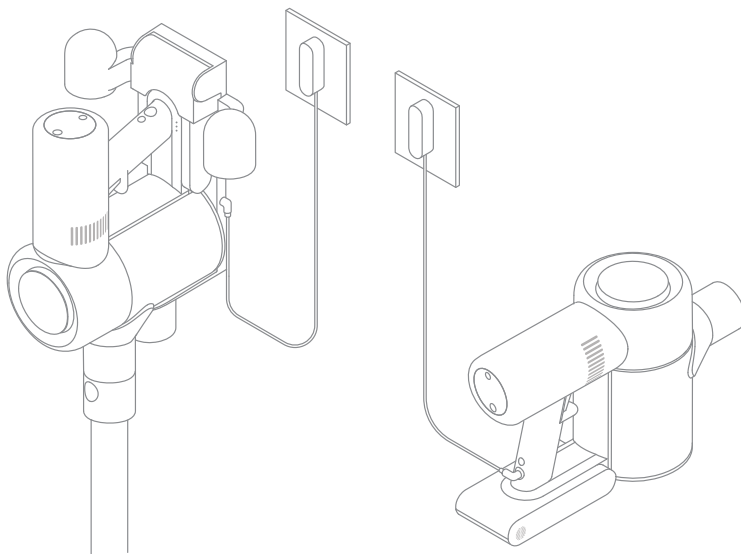
Hauteur de montage recommandée : Le bas de l'autocollant doit se trouver à au moins 119 cm du sol.

Recharge

Chargez entièrement la batterie de l'aspirateur avant la première utilisation.

Remarque :

- L'aspirateur ne peut pas être utilisé pendant la charge.
- Cette opération dure environ 4 heures. L'aspiration en mode Turbo pendant une période prolongée peut entraîner la surchauffe de la batterie, ce qui augmente le temps de charge. Laissez l'aspirateur refroidir pendant 30 minutes avant de le charger.



Voyant d'état de la batterie

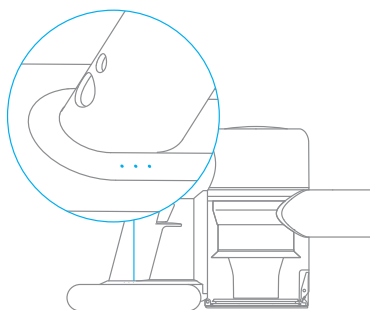
☀ Clignotant ○ Marche ● Arrêt

☀ ● ● Batterie faible

○ ☀ ● Batterie à moitié vide

○ ○ ☀ Batterie presque pleine

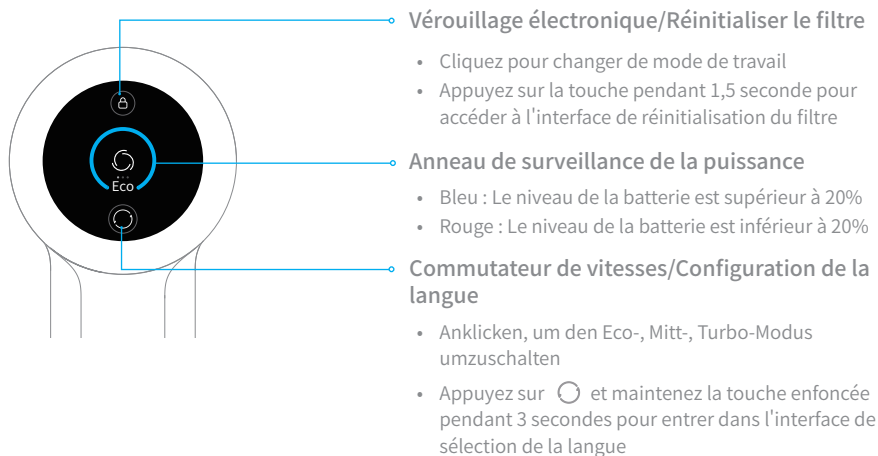
○ ○ ○ Entièrement chargée



Remarque : Une fois l'aspirateur entièrement chargé, le voyant s'éteint au bout de 5 minutes et l'appareil passe en mode économie d'énergie.




Mode d'utilisation

Fonction introduction de l'écran d'affichage



Remarque : Si vous devez prêter attention à une anomalie quelconque pendant l'utilisation du produit, l'écran affichera un message d'avertissement. Vous devez suivre les instructions à l'écran pour que les performances restent normales.

Configuration de la langue

Appuyez sur  et maintenez la touche enfoncée pendant 3 secondes pour entrer dans l'interface de sélection de la langue. Cliquez sur  pour faire défiler la liste des langues, sélectionnez la langue souhaitée, Puis appuyez sur  et maintenez la touche enfoncée pendant 3 secondes pour enregistrer votre réglage.

Remarque : Si aucune opération n'est effectuée pendant plus de 5 secondes, l'écran sera éteint.

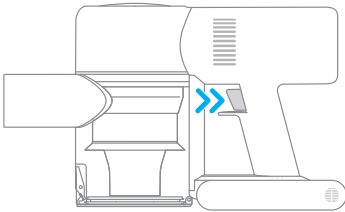
Mode d'utilisation

Mode de nettoyage

Il existe deux modes de fonctionnement pour l'aspirateur, qui peuvent être sélectionnés en fonction de vos propres besoins.

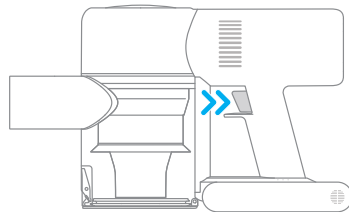
Mode 1 : Mode de nettoyage discontinu

Dans ce mode, appuyez brièvement sur l'interrupteur pour suspendre le fonctionnement ou démarrer à nouveau, et le mode de fonctionnement de l'aspirateur ne changera pas.



Mode 2 : Mode de nettoyage continu (Verrouillage Électronique)

- En mode veille, cliquez sur la touche de verrouillage électronique pour passer en mode de nettoyage continu, puis appuyez brièvement sur l'interrupteur pour faire passer l'aspirateur en mode de nettoyage continu.
- Utilisez le verrouillage électronique pour vous permettre de libérer vos doigts et éviter ainsi la fatigue causée par le maintien de l'interrupteur.



Remarque :

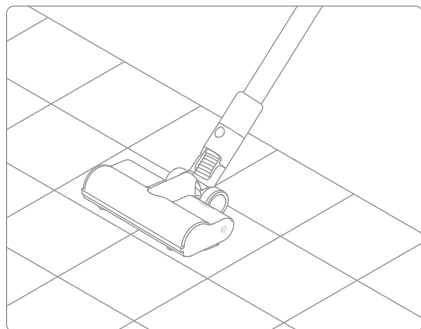
- Dans ce mode, appuyez brièvement sur l'interrupteur pour suspendre le fonctionnement ou démarrer à nouveau, et le mode de fonctionnement de l'aspirateur ne changera pas.
- Cliquez à nouveau sur le verrouillage électronique pour quitter le mode de nettoyage continu.

Mode d'utilisation

Utilisation des différents accessoires

Extension multi-brosses

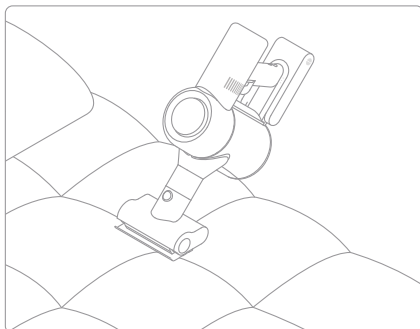
Adapte à l'aspiration des tapis d'épaisseur fine/moyenne, carreaux et sols.



Remarque : L'extension multi-brosses peut être rattachée directement à l'aspirateur

Mini brosse électrique

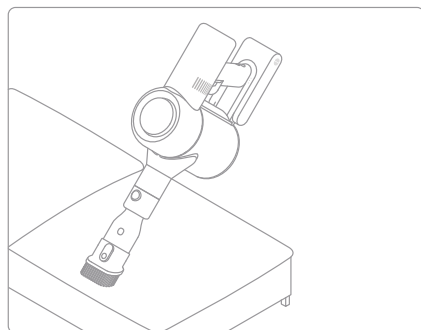
Pour l'aspiration de poussière, poils d'animaux et autres résidus tenaces sur des canapés, linges de lit et autres surfaces en tissu.



Remarque : Il n'est pas recommandé de passer l'aspirateur sur les surfaces qui accrochent, comme la soie.

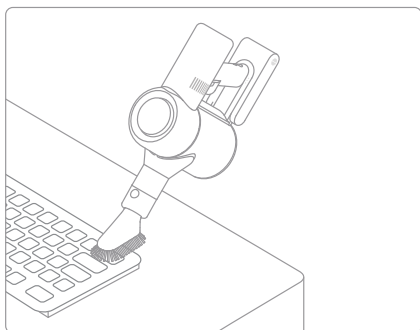
Bec de brosse 2-en-1

Pour l'aspiration de rideaux, canapés, intérieur de véhicules, tables de salon, etc.



Brosse Dépoussiérante Douce

Adapté à l'aspiration des LCD, claviers, abat-jours, rideaux, volets et autres surfaces fragiles



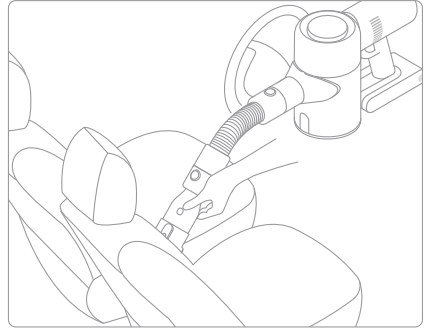
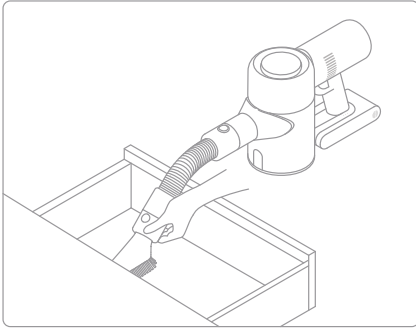
Remarque :

- Si un pièce rotative se coince, l'aspirateur est susceptible de s'éteindre automatiquement. Retirez tout objet coincé dans l'aspirateur, puis poursuivez votre utilisation.
- Quand la batterie surchauffe en fonctionnement, l'aspirateur s'éteint automatiquement. Attendez que la température de la batterie revienne à un niveau normal, puis poursuivez votre utilisation.

Mode d'utilisation

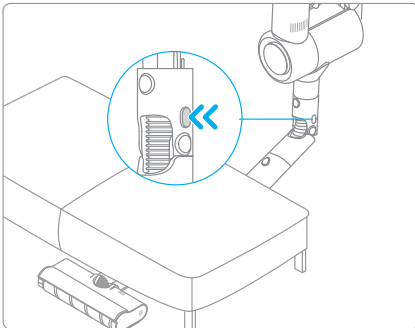
Tuyau souple extensible

Il convient à l'aspiration des endroits difficilement accessibles comme les tiroirs, intérieurs de véhicules et dessous de sofas lorsque utilise avec la brosse dépoluissérante douce ou la bec de brosse 2 en 1.



Adaptateur flexible

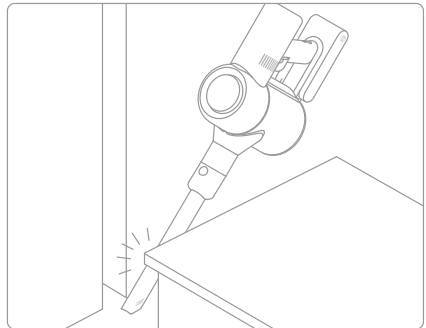
Plier et étendre la barre en un clic permet d'atteindre facilement l'en-dessous des meubles les plus bas, comme les lits ou sofas.



Remarque : L'adaptateur flexible est conçu pour aspirer les meubles bas et il n'est pas recommandé de le brancher en permanence à l'aspirateur lors du nettoyage quotidien des sols.

LED Bec pour fentes

Le bec est équipé d'un embout fin et d'une lampe LED. Il convient à l'aspiration des débris dans les endroits les plus étroits.



Remarque : La buse à fente LED peut être utilisée avec un tuyau de rallonge (la buse LED ne s'allume pas lorsqu'elle est connectée au tuyau de rallonge non conducteur).

Mode d'utilisation

Remarque : Si vous devez prêter attention à une anomalie quelconque pendant l'utilisation du produit, l'écran affichera un message d'avertissement. Vous devez suivre les instructions à l'écran pour que les performances restent normales.



Vérifiez si la cuvette à poussière, la rallonge et la brosse sont bloquées.





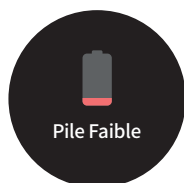
Veillez vous reporter au manuel d'entretien [Nettoyage de la brosse pour tout type de sol] pour enlever les fibres et les poils enroulés autour de la brosse à rouleaux.



reportez-vous à la section du manuel d'entretien [Nettoyage du filtre HEPA] pour retirer le filtre et le remplacer.



Appuyez sur  pendant 5 secondes pour entrer dans l'écran de compte à rebours de la réinitialisation du filtre. Lorsque  apparaît à l'écran, cela indique que la réinitialisation est réussie.



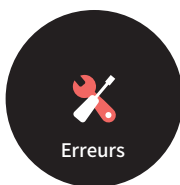
Rechargez l'appareil rapidement.



Rechargez l'appareil rapidement.



Attendez que la température de la batterie revienne à un niveau normal avant de reprendre votre session de nettoyage.



Contactez le service après-vente pour assurer la maintenance.

Précautions concernant la maintenance

1. Avant de vider le compartiment, assurez-vous d'avoir bien débranché l'aspirateur et n'appuyez pas sur le bouton marche/arrêt.
2. Utilisez toujours des pièces d'origine, faute de quoi la garantie pourrait être annulée.
3. Si vous ne prévoyez pas d'utiliser l'aspirateur pendant une période prolongée, chargez-le entièrement, débranchez-le, puis entreposez-le dans un endroit frais, à l'abri de l'humidité et de la lumière directe du soleil. Afin d'éviter une décharge excessive de la batterie, rechargez l'aspirateur au moins une fois tous les trois mois.

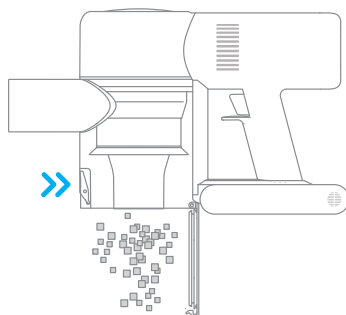
Nettoyage de l'aspirateur Vacuum Cleaner

Essayez l'aspirateur avec un chiffon doux et sec.

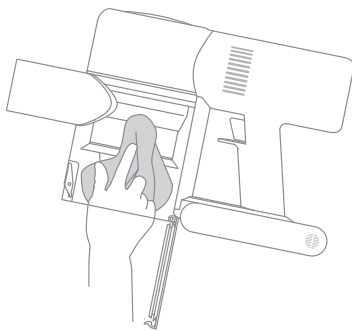
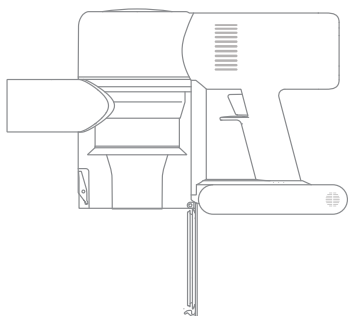
Nettoyage du compartiment à poussière

La capacité de nettoyage de l'aspirateur diminuera si le compartiment à poussière est rempli jusqu'au niveau « MAX ». Videz-le pour améliorer les performances.

1. Videz la cuve à poussière : Appuyez sur le bouton de déverrouillage situé au fond de la cuve, puis videz son contenu.



2. Nettoyez la cuve à poussière : Utilisez un chiffon sec ou une serviette en papier pour essuyer la poussière de la paroi intérieure de la cuve à poussière.

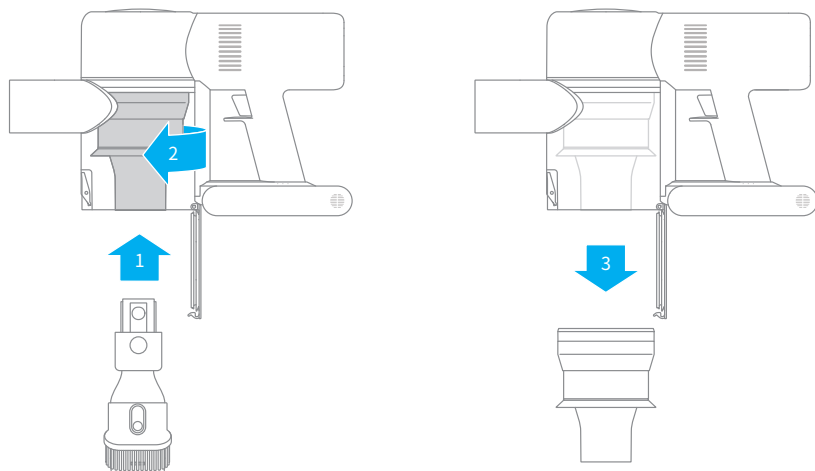


Entretien et maintenance

Nettoyage de l'ensemble cyclone

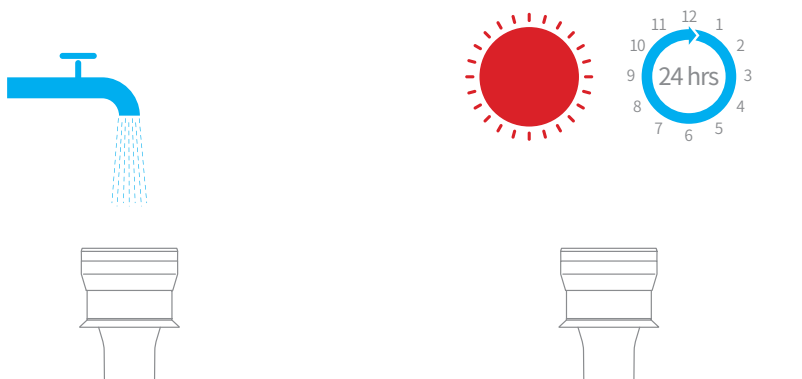
1. Faites tourner l'ensemble cyclone dans le sens de déverrouillage indiqué, puis retirez-le.

Remarque : Utilisez la bec de brosse 2 en 1 pour retirer le séparateur cyclone du boîtier.



2. Rincez l'ensemble du cyclone avec de l'eau jusqu'à ce qu'il soit propre. Séchez soigneusement l'ensemble du cyclone.

Remarque : Conservez-le dans un endroit ventilé pendant au moins 24 heures et séchez-le entièrement avant de le réutiliser.

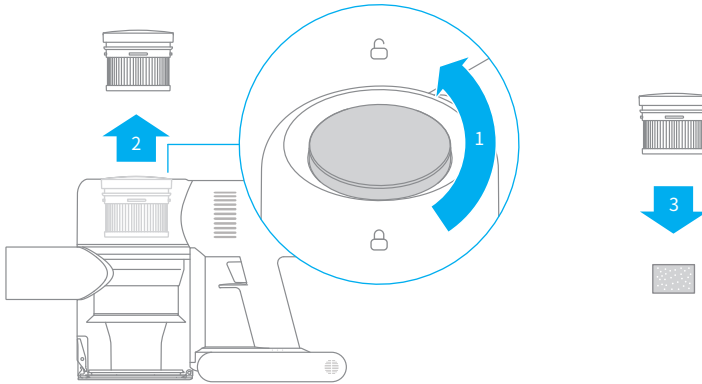


Entretien et maintenance

Nettoyage du filtre HEPA

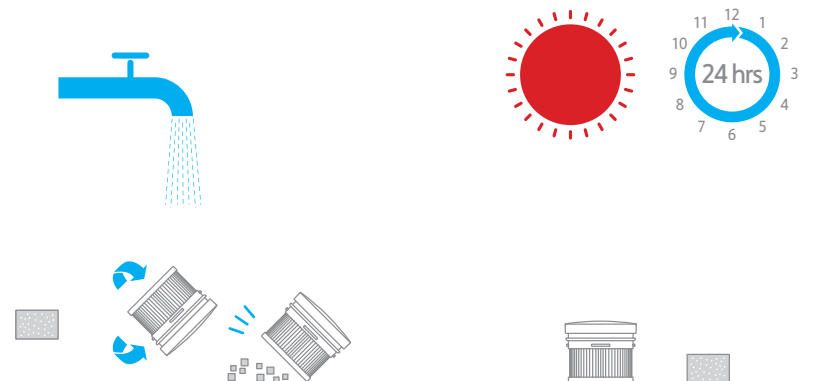
1. Fixez l'aspirateur solidement sur une surface plane, puis faites tourner le couvercle de l'ensemble filtre HEPA dans le sens indiqué pour le retirer.

Remarque : Retirez le tampon en mousse intégré avant de nettoyer l'ensemble du filtre HEPA.



2. Rincez le filtre HEPA et le tampon en mousse avec de l'eau. Pour éliminer complètement toute la poussière prise dans le filtre, faites pivoter le filtre HEPA de 360 degrés pendant le rinçage. Tapotez légèrement le filtre contre l'évier plusieurs fois pour enlever tout excès de débris. Conservez le filtre HEPA dans un endroit frais et bien ventilé pour qu'il sèche complètement.

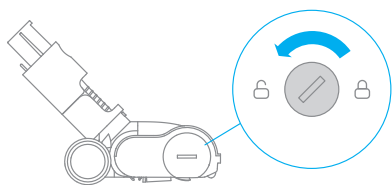
Remarque : Séchez complètement le filtre (au moins 24 heures) avant de le réinstaller.



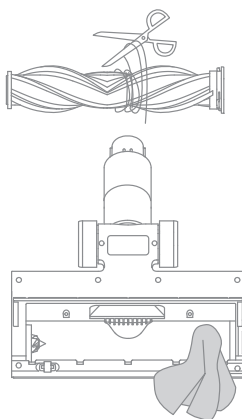
Entretien et maintenance

Nettoyage de l'extension multi-brosses

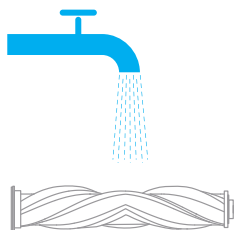
1. Tournez le verrou dans le sens inverse des aiguilles d'une montre jusqu'à rencontrer une résistance, puis enlevez la brosse à rouleau de son emplacement.



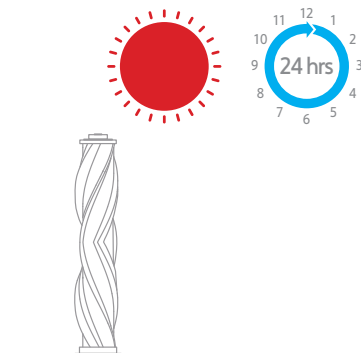
2. À l'aide de ciseaux, coupez et enlevez tout cheveu, poil ou autre saleté enroulé autour de la brosse à roulette. Enlevez tout excès de poussière de l'encoche et du couvercle en plastique transparent à l'aide d'un chiffon sec ou de papier absorbant.



3. Lorsqu'elle est sale, rincez la tête de la brosse avec de l'eau propre jusqu'à ce qu'elle soit propre.



4. Après nettoyage de la brosse à roulette, laissez-la sécher complètement à la verticale dans un endroit bien aéré pendant au moins 24 heures.

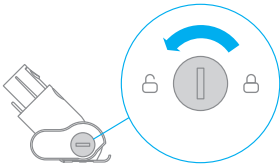


Entretien et maintenance

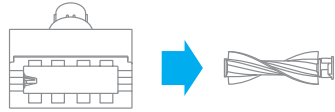
Nettoyage de la mini brosse électrique

1. Utilisez une pièce de monnaie pour faire tourner le verrou dans le sens inverse des aiguilles d'une montre jusqu'à entendre un déclic.

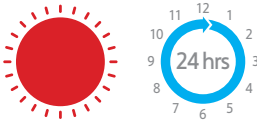
Remarque : Il est recommandé de nettoyer la mini-brosse électrique après chaque utilisation.



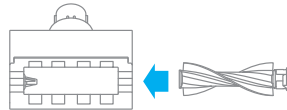
2. Une fois la brosse à roulette déverrouillée, retirez-la de la mini brosse électrique, puis rincez et nettoyez la brosse à roulette.



3. Après nettoyage de la brosse à roulette, laissez-la sécher complètement à la verticale dans un endroit bien aéré pendant au moins 24 heures.



4. Dès que la brosse à roulette est sèche, réinstallez-la en suivant la procédure de démontage dans l'ordre inverse.



En cas de dysfonctionnement de l'aspirateur, consultez le tableau ci-dessous.

Erreur	Cause possible	Solution
L'aspirateur ne fonctionne pas.	La batterie est déchargée ou faible.	Rechargez complètement l'aspirateur avant de reprendre votre utilisation.
	Le mode de protection contre la surchauffe se déclenche suite à une obstruction.	Attendez que l'aspirateur refroidisse, puis réactivez-le.
	L'orifice d'aspiration ou le conduit d'air est obstrué.	Retirez les débris susceptibles de bloquer l'orifice d'aspiration ou le conduit d'air.
La puissance d'aspiration est affaiblie.	Le compartiment à poussière est rempli et/ou le filtre est obstrué.	Videz le compartiment à poussière et nettoyez l'ensemble filtre HEPA.
	L'accessoire est obstrué.	Retirez les débris susceptibles d'obstruer l'accessoire.
Le moteur fait un bruit anormal.	L'orifice d'aspiration principal ou la tige de rallonge est obstruée.	Retirez les débris susceptibles de bloquer le suceur principal ou la tige de rallonge.
Le premier voyant est rouge après avoir allumé l'aspirateur.	La batterie est endommagée.	Contactez le service après-vente pour assurer la maintenance.
Le premier voyant clignote en rouge quand l'aspirateur est en charge.	Le chargeur n'est pas compatible.	Utilisez uniquement le chargeur d'origine pour recharger l'aspirateur.
Le voyant de batterie ne s'allume pas lorsque l'aspirateur est en charge.	Le chargeur n'est pas connecté à l'aspirateur.	Assurez-vous que le chargeur est branché correctement.
	La batterie est complètement chargée et l'appareil est passé en mode veille.	L'aspirateur peut être utilisé normalement.
	Si le problème persiste après avoir écarté les deux possibilités ci-dessus.	Contactez le service après-vente qui vous aidera.
La batterie charge lentement.	La température de la batterie est trop basse ou trop élevée.	Attendez que la température de la batterie revienne à un niveau normal, puis reprenez votre session de nettoyage.

Caractéristiques

Aspirateur			
Modèle	VVT1	Temps de Charge	Environ 4 heures
Tension de charge	30 V ===	Tension nominale	25,2 V ===
Puissance nominale	550 W	Capacité nominale	3000 mAh
Extension multi-brosses		Mini brosse électrique	
Modèle	AVB9	Modèle	DM002
Puissance nominale	40 W	Puissance nominale	20 W

Ce produit contient des batteries uniquement remplaçables par des techniciens qualifiés ou le service après-vente.

Ce produit contient des batteries non remplaçables.

Informations DEEE



Tous les produits portant ce symbole deviennent des déchets d'équipements électriques et électroniques (DEEE dans la Directive européenne 2012/19/UE) qui ne doivent pas être mélangés aux déchets ménagers non triés. Vous devez contribuer à la protection de l'environnement et de la santé humaine en apportant l'équipement usagé à un point de collecte dédié au recyclage des équipements électriques et électroniques, agréé par le gouvernement ou les autorités locales. Le recyclage et la destruction appropriés permettront d'éviter tout impact potentiellement négatif sur l'environnement et la santé humaine. Contactez l'installateur ou les autorités locales pour obtenir plus d'informations concernant l'emplacement ainsi que les conditions d'utilisation de ce type de point de collecte.

Importanti istruzioni disicurezza

Per evitare scosse elettriche, incendi e altre lesioni accidentali causate da un uso improprio, leggere attentamente questo manuale di istruzioni prima dell'uso.

Avvertenze

Questo dispositivo non può essere utilizzato da persone con disabilità fisiche, sensoriali o intellettuali e da persone senza esperienza e conoscenza pertinenti, compresi i bambini, a meno che non vi sia supervisione o guida di un tutore per garantirne l'utilizzo sicuro.

Ai bambini è vietato utilizzare o giocare con il dispositivo. Quando si utilizza il prodotto vicino a un bambino, è necessario prestare particolare attenzione; al bambino è vietato provvedere alla pulizia o alla manutenzione del dispositivo senza un tutore.

Non utilizzare su superfici esterne o bagnate. Utilizzare solo su superfici interne asciutte. Non toccare la spina o qualsiasi parte del dispositivo con le mani bagnate.

Verificare che la batteria al litio e il caricabatterie non siano danneggiati prima dell'uso. Per prevenire incendi, esplosioni o lesioni, non utilizzare l'aspirapolvere quando la batteria al litio o il caricabatterie sono danneggiati.

La barra multi-spazzola, la mini-spazzola elettrica, la batteria, l'asta di metallo, l'ugello per fessure a LED, l'adattatore flessibile e il dispositivo principale dell'aspirapolvere sono tutte parti sotto tensione. Non immergere in acqua né immergerlo in altri liquidi. Dopo la pulizia, assicurarsi che tutti i filtri siano completamente asciutti.

Evitare i danni causati dalle parti mobili. Spegnerne l'aspirapolvere prima di pulire la barra multi-spazzola e la mini-spazzola elettrica. La barra multi-spazzola, il raccogli polvere ed il filtro devono essere tutti installati appropriatamente prima dell'uso dell'aspirapolvere.

Utilizzare solo il caricabatterie originale, non utilizzare un adattatore non ufficiale, poiché ciò potrebbe provocare l'incendio della batteria al litio.

Non utilizzare questa apparecchiatura per acqua, benzina e altri liquidi infiammabili o esplosivi, non inalare soluzioni tossiche come candeggina al cloro, ammoniaca, detersivi per fognature o altri liquidi.

È vietato utilizzare questo aspirapolvere per pulire la polvere di cartongesso, la brace del camino e la cenere e astenersi dall'inalare il fumo o bruciare materiali come carbone, mozziconi di sigaretta o fiammiferi. È vietato utilizzare l'aspirapolvere per pulire oggetti appuntiti come vetro, chiodi, viti, monete, altrimenti danneggerà l'aspirapolvere.

Non utilizzare l'aspirapolvere per raccogliere oggetti duri o taglienti, come vetro, unghie, viti o monete, che potrebbero danneggiarlo.

Tenere il flusso d'aria e le parti mobili del dispositivo lontano da capelli, indumenti larghi, dita e altre parti del corpo. Non puntare connettori metallici o altri accessori

verso gli occhi, le orecchie o la bocca.

Non posizionare oggetti sul boccaglio. È vietato bloccare la bocca di aspirazione quando si utilizza l'aspirapolvere. Polvere, cotone idrofilo, capelli o altri oggetti possono indebolire il flusso d'aria. Pulirlo per tempo.

Non posizionare l'aspirapolvere sulla sedia, sul tavolo da pranzo e su altre superfici instabili per evitare danni all'aspirapolvere o danni all'utente. Quando l'aspirapolvere è rotto, danneggiato o funziona in modo anomalo, contattare il Servizio di Assistenza ufficiale autorizzata per lo smaltimento.

Caricare la batteria rispettando scrupolosamente le istruzioni contenute nel manuale. Se non viene caricata correttamente entro l'intervallo di temperatura specificato, la batteria potrebbe danneggiarsi.

Utilizzare solo accessori e parti di ricambio approvati da Dreame.

Scollegare l'unità per lunghi periodi di tempo e prima della manutenzione o della riparazione.

Prestare particolare attenzione quando si utilizza la pulizia del prodotto.

Non installare, caricare o utilizzare il dispositivo all'aperto, in bagno o in piscina.

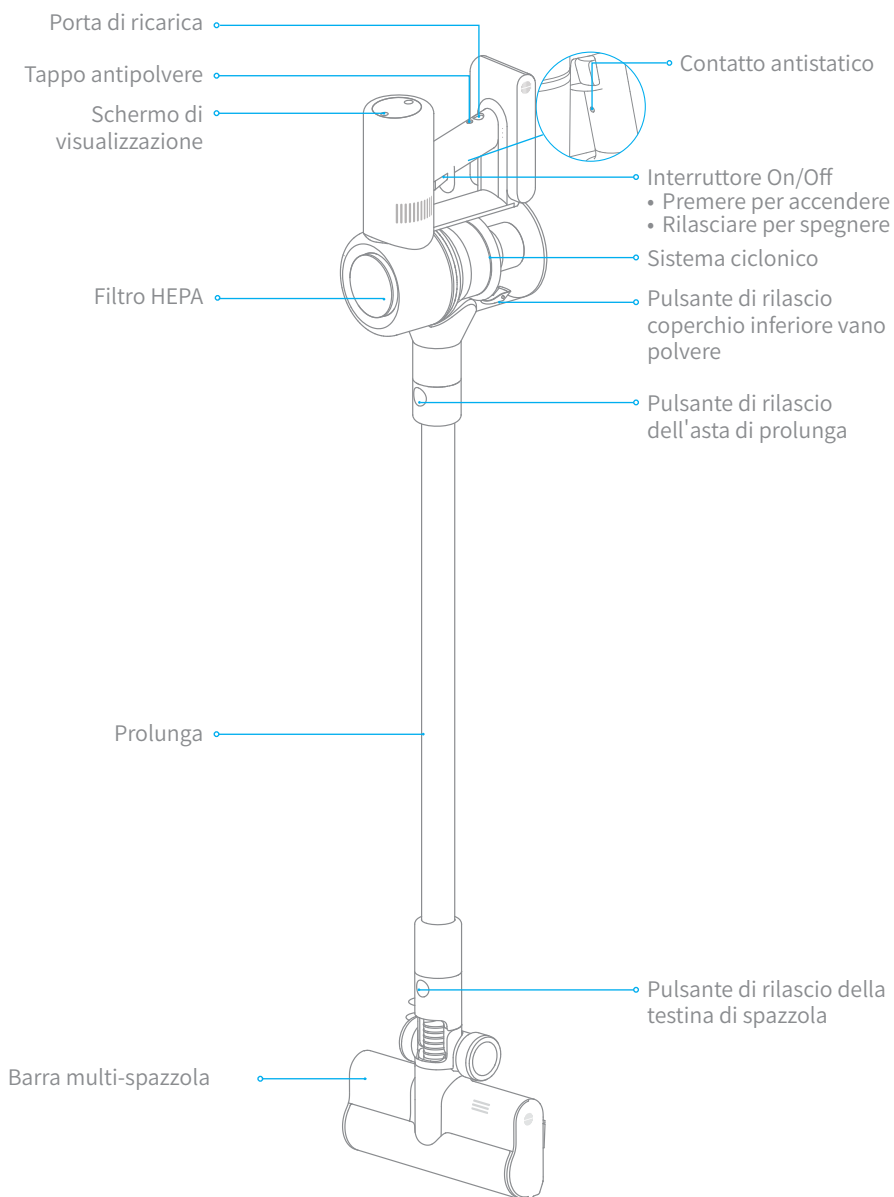
Avviso di pericolo di incendio, non applicare alcun prodotto aromatico al filtro di questo prodotto, poiché i prodotti chimici in tali prodotti sono infiammabili e causano l'incendio del prodotto.

Il prodotto è progettato esclusivamente per uso domestico.

Con la presente, Dreame Trading (Tianjin) Co., Ltd., dichiara che questo apparecchio è conforme alle direttive applicabili e alle norme europee, nonché ai relativi emendamenti. Il testo completo della dichiarazione di conformità UE è disponibile al seguente indirizzo Internet: www.dreame-technology.com

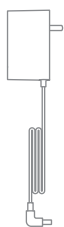
Panoramica del prodotto

Nome componente



Panoramica del prodotto

Elenco accessori



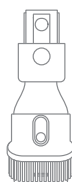
Caricabatterie



Tubo flessibile elasticizzato



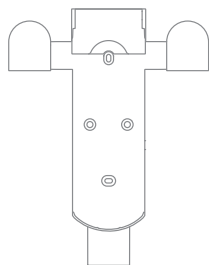
Spazzola morbida per spolverare



Ugello a spazzola 2-in-1

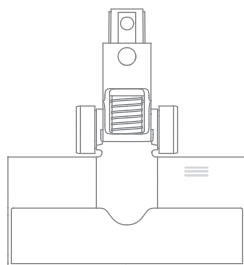


Prolunga

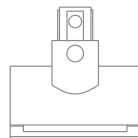


Supporto di ricarica e appoggio 2-in-1

(con 2 viti, 2 tasselli e adesivo del modello di montaggio)



Barra multi-spazzola



Mini spazzola elettrica



LED Ugello per fessure

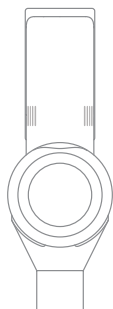


Adattatore flessibile inferiore

Nota: La specifica è solo di riferimento, il reale aspetto si basa sull'oggetto.

IT Installazione

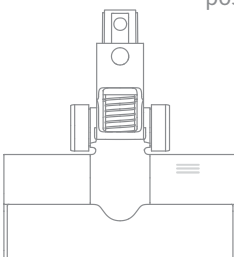
Installazione degli accessori nell'aspirapolvere



Inserire fino a udire
un clic che indica il
posizionamento corretto

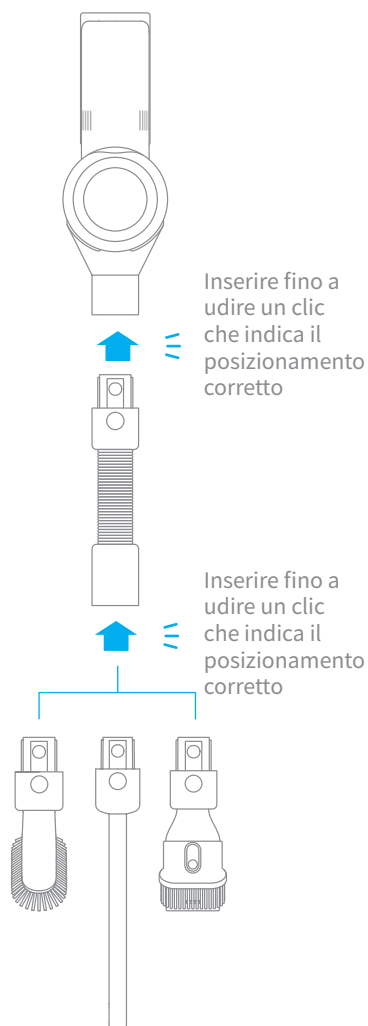
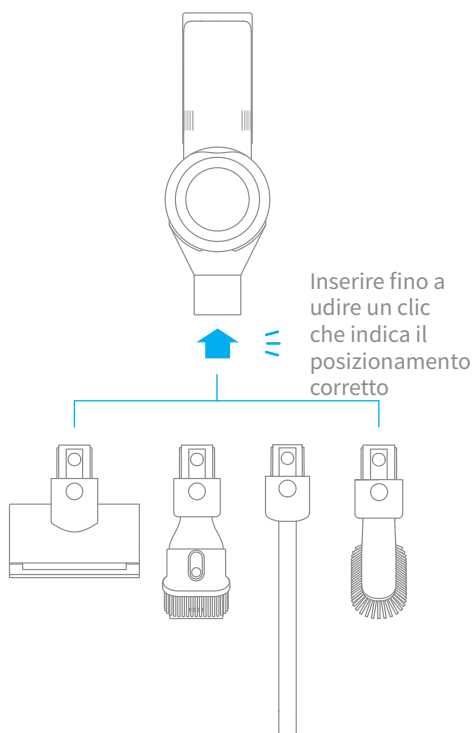


Inserire fino a udire
un clic che indica il
posizionamento corretto



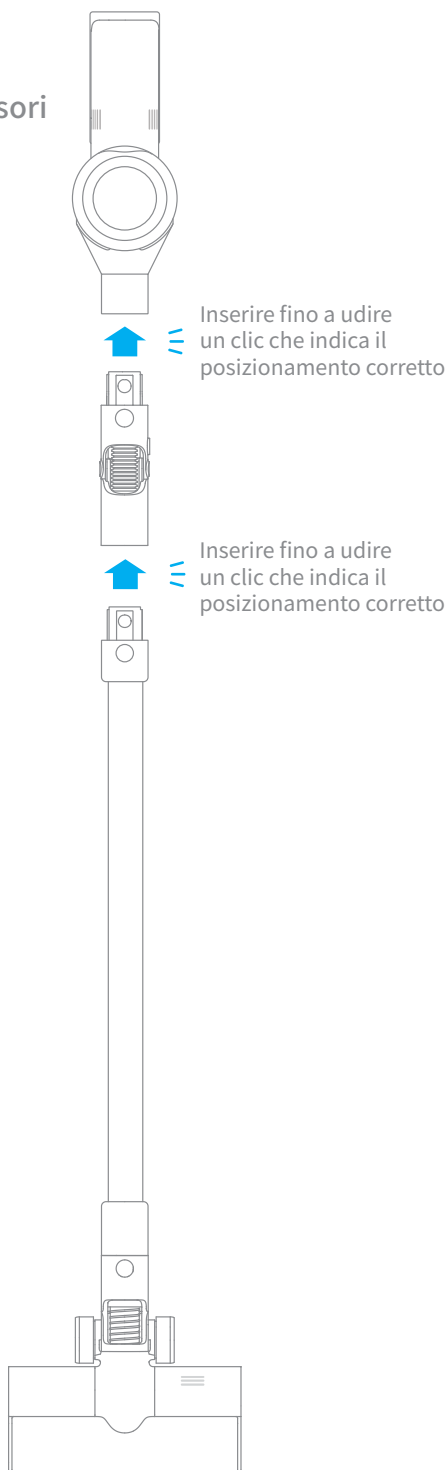
Installazione

Collegamento degli accessori



Installazione

Collegamento degli accessori

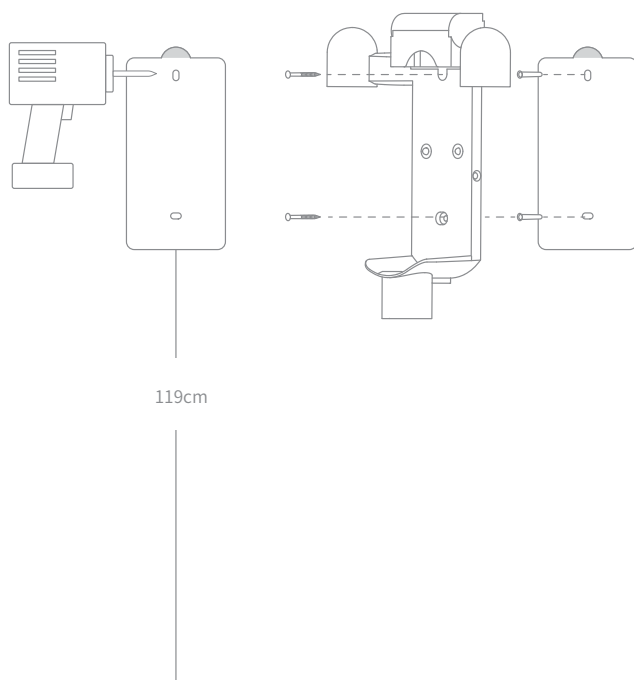


Installazione del supporto di ricarica e appoggio 2-in-1

Il supporto di ricarica e appoggio 2-in-1 è un accessorio opzionale, che può essere installato in base alle proprie esigenze.

Nota: Il supporto di ricarica e appoggio 2-in-1 deve essere installato in un luogo fresco e asciutto con una presa elettrica nelle vicinanze. Prima di installarlo, assicurarsi che non siano presenti fili o tubi nello spazio di installazione direttamente dietro al supporto.

1. Posizionare l'adesivo di posizionamento sulla parete e mantenerlo parallelo al pavimento. Si consiglia di posizionare la parte inferiore dell'adesivo a una distanza non inferiore a 119 cm dal pavimento.
2. Utilizzare un trapano elettrico con una punta da 8 mm per praticare un foro su ciascun marcatore di foro sull'adesivo del modello di montaggio, quindi inserire un tassello in ciascun foro.
3. Allineare i fori di montaggio sul supporto di ricarica e appoggio 2-in-1 ai fori sulla parete, quindi fissare il supporto alla parete utilizzando le viti in dotazione.



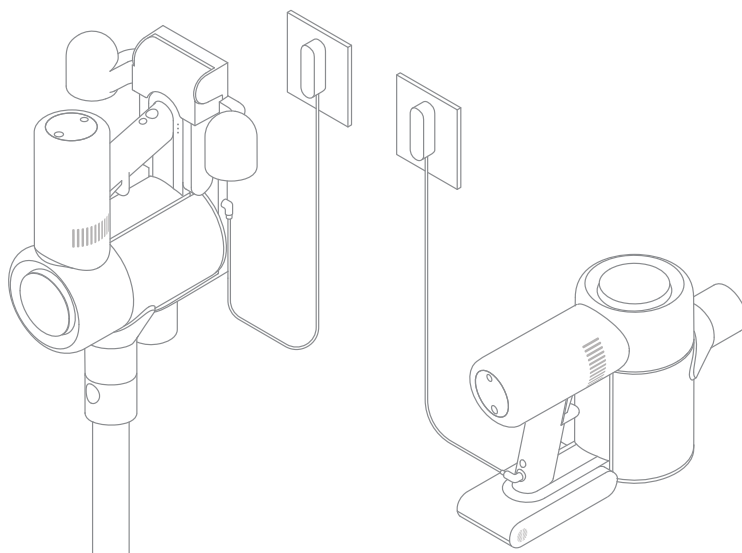
Altezza di installazione consigliata: Il bordo inferiore dell'adesivo deve essere a 119 cm dal pavimento.

Ricarica

Caricare completamente l'aspirapolvere prima di utilizzarlo per la prima volta.

Nota:

- Non è possibile utilizzare l'aspirapolvere mentre viene ricaricato.
- L'operazione richiede circa 4 ore. L'aspirazione in modalità turbo per un periodo prolungato determina il riscaldamento della batteria, con conseguente aumento del tempo di ricarica. Lasciare raffreddare l'aspirapolvere per 30 minuti prima di ricaricarlo.



Indicatore di stato della batteria

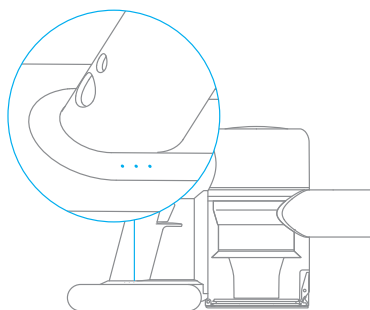
☀ Intermittente ○ Acceso ● Spento

☀ ● ● Batteria scarica

○ ☀ ● Batteria a metà

○ ○ ☀ Quasi carica

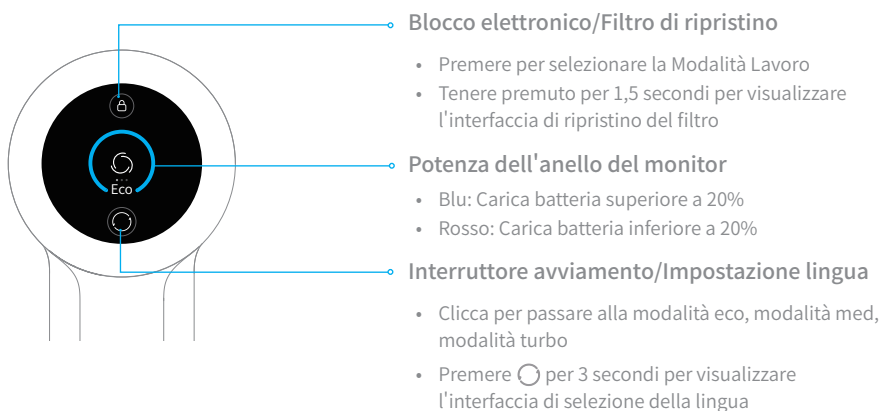
○ ○ ○ Ricarica completata



Nota : Quando l'aspirapolvere è completamente carico, l'indicatore si spegne dopo 5 minuti e viene attivata la modalità di risparmio energetico.




Modalità d'utilizzo

Introduzione alle funzioni dello schermo



Nota: In presenza di una situazione anormale durante l'uso del dispositivo, lo schermo visualizzerà un messaggio rapido. Si devono seguire le indicazioni sullo schermo per mantenere le funzionalità invariate.

Impostazione lingua

Premere  per 3 secondi per visualizzare l'interfaccia di selezione della lingua, premere  per scorrere tra la lista delle lingue, selezionare la lingua appropriata, e successivamente premere  per 3 secondi per salvare le impostazioni.

Nota: Se non viene eseguita alcuna operazione per più di 5 secondi, il display si spegnerà.

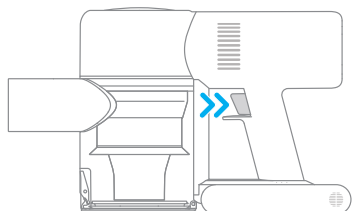
Modalità d'utilizzo

Modalità Pulizia

Ci sono due modalità di lavoro per l'aspirapolvere, che possono essere selezionate a secondo delle proprie esigenze.

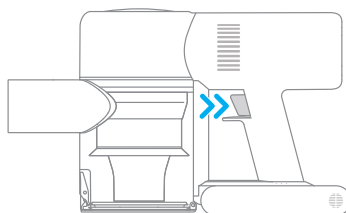
Modalità 1: Modalità Pulizia Discontinua

Tenere premuto il tasto dell'aspirapolvere per avviare il lavoro, e rilasciarlo per arrestarlo immediatamente.



Modalità 2: Modalità Pulizia Continua (Blocco Elettronico)

- In modalità standby, premere il tasto di blocco elettronico per passare alla modalità di pulizia continua, quindi premere brevemente l'interruttore per mettere l'aspirapolvere in Modalità Pulizia Continua.
- Usare il blocco elettronico per non usare troppo le tue dita ed evitare un affaticamento causato tenendo premuto l'interruttore.



Nota:

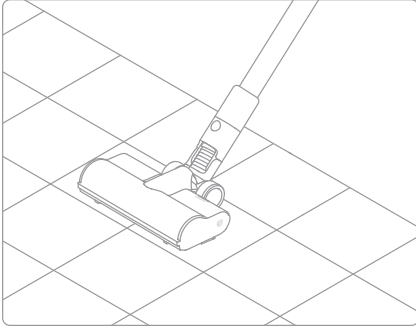
- In questa modalità, premere brevemente il tasto per sospendere l'operazione o riavviarla nuovamente, e la modalità di lavoro dell'aspirapolvere non cambierà.
- Premere il blocco elettronico nuovamente per abbandonare la Modalità Pulizia Continua.

Modalità d'utilizzo

Usò degli accessori

Barra multi-spazzola

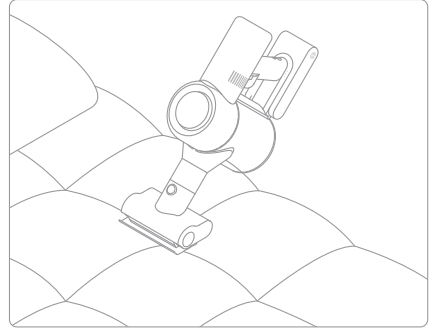
Adatto per la pulizia di tappeti a pelo medio e corto. Può essere utilizzato anche per la pulizia di piastrelle e pavimenti.



Nota: La barra multi-spazzola può anche essere installata direttamente sul dispositivo.

Mini spazzola elettrica

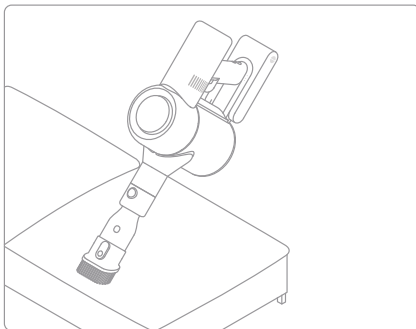
Per aspirare sporco, peli di animali domestici e altri residui ostinati da divani, biancheria da letto e altre superfici in tessuto.



Nota: Si raccomanda di non aspirare superfici facilmente impigliabili, come la seta.

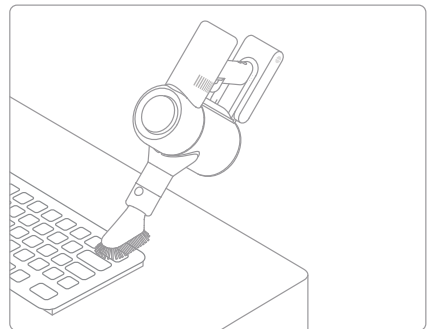
Ugello a spazzola 2-in-1

Per aspirare tende, divani, interni di veicoli, tavolini da caffè e così via.



Spazzola morbida per spolverare

Adatto per aspirare su LCD, tastiere, paralumi, tende, tapparelle e altre superfici di oggetti fragili.



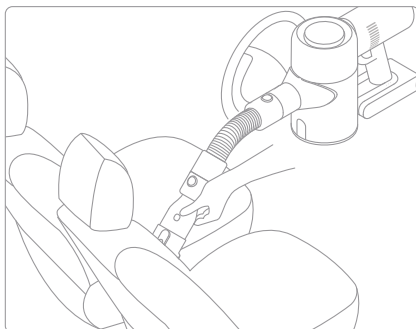
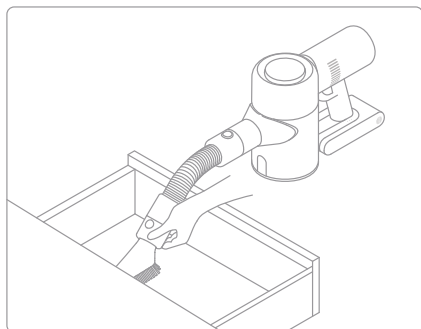
Nota:

- Se una delle parti rotanti si blocca, l'aspirapolvere potrebbe spegnersi automaticamente. Eliminare eventuali corpi estranei intrappolati, quindi riprendere l'uso.
- Quando della batteria si surriscalda, l'aspirapolvere si spegne automaticamente. Attendere che la temperatura della batteria torni alla normalità, quindi riprendere l'utilizzo.

Modalità d'utilizzo

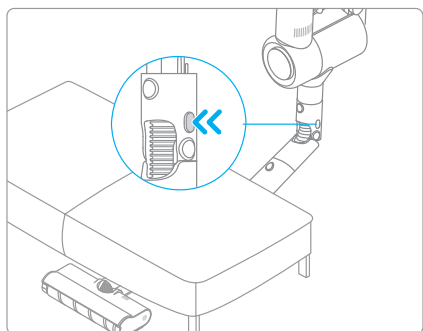
Tubo flessibile elasticizzato

L'utilizzo della spazzola morbida o l'ugello a spazzola 2-in-1 permette di aspirare gli angoli che non sono facilmente accessibili come cassetti, interni di automobili e nella parte inferiore del divano.



Adattatore flessibile inferiore

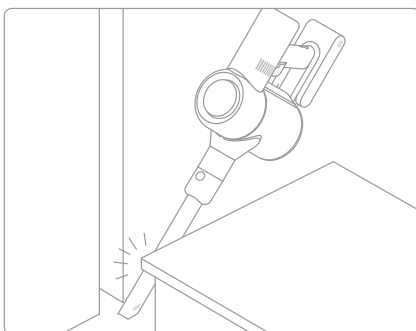
Piegare e allungare l'asta con un clic può facilmente raggiungere i mobili bassi, come il letto e il divano.



Nota: L'adattatore flessibile è adatto per pulire mobili bassi e non è consigliabile collegarlo sempre all'aspirapolvere durante la pulizia quotidiana dei pavimenti.

Bocchetta per fessure a LED

L'ugello è dotato di una sottile apertura di aspirazione e luce LED. Adatto per aspirare i detriti negli spazi ristretti.



Nota: L'ugello per fessure a LED può essere utilizzato con il tubo di prolunga (l'ugello per fessure a LED non ha una funzione conduttiva e non si accende quando è collegato al tubo di prolunga).

Modalità d'utilizzo

Nota: In presenza di una situazione anormale durante l'uso del dispositivo, lo schermo visualizzerà un messaggio rapido. Si devono seguire le indicazioni sullo schermo per mantenere le funzionalità invariate.



Condotto dell'aria bloccato

Controllare se il raccogli polvere, l'asta di metallo e la barra multi-spazzola intelligente siano bloccati.



Pulire la spazzola a rullo

Per istruzioni su come rimuovere peli e altri detriti impigliati nella barra multi-spazzola, consultare "Pulizia della barra multi-spazzola" nella sezione Cura e manutenzione.





Sostituire il filtro

Fare riferimento al manuale di manutenzione [Pulizia del filtro HEPA] per rimuovere il filtro e sostituirlo.



Filtro di ripristino (5s)

Reset del filtro: Premere  per 5 secondi per accedere alla schermata del conto alla rovescia del reset del filtro. Quando appare sullo schermo,  esso indica che il reset è stato completato.



Batteria Scarica

Rechargez l'appareil rapidement.



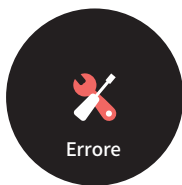
La batteria è scarica

Ricaricarla tempestivamente.



Surriscaldamento della batteria

Prima di riprendere l'utilizzo, attendere che la temperatura della batteria torni alla normalità.



Errore

Contattare il servizio di assistenza post-vendita per la manutenzione.

Cura e manutenzione

Precauzioni di manutenzione

1. Prima di svuotare il vano, assicurarsi che l'aspirapolvere sia disconnesso dalla presa di corrente e non premere il pulsante di accensione.
2. Utilizzare sempre parti originali per evitare che la garanzia decada.
3. Se l'aspirapolvere non viene utilizzato per un lungo periodo, ricaricarlo completamente, scolgarlo dalla presa di corrente, quindi conservarlo in un ambiente fresco e a bassa umidità, lontano dalla luce diretta del sole. Per evitare di scaricare eccessivamente la batteria, ricaricare l'aspirapolvere almeno una volta ogni tre mesi.

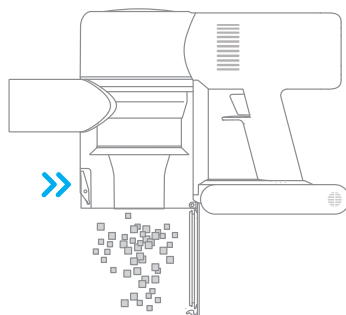
Pulizia dell'aspirapolvere

Pulire l'aspirapolvere con un panno morbido e asciutto.

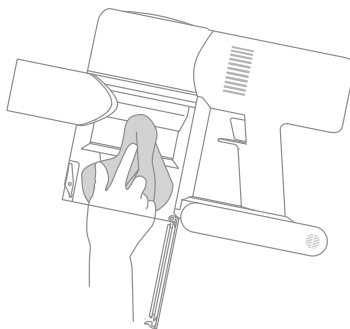
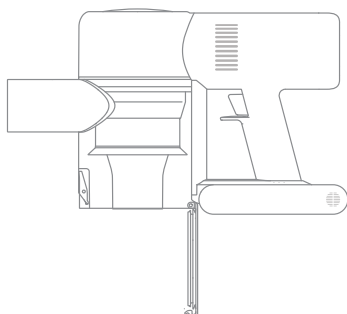
Pulizia del vano polvere

Dell'aspirapolvere si riduce se il vano polvere si riempie fino al segno "MAX". Per ripristinare le prestazioni, svuotare il vano polvere tempestivamente.

1. Scarica la spazzatura: Premere il pulsante di rilascio del coperchio inferiore del raccogli polvere e svuotarlo.



2. Pulire il raccogli polvere: utilizzare un panno asciutto o un tovagliolo di carta per rimuovere la polvere interna.

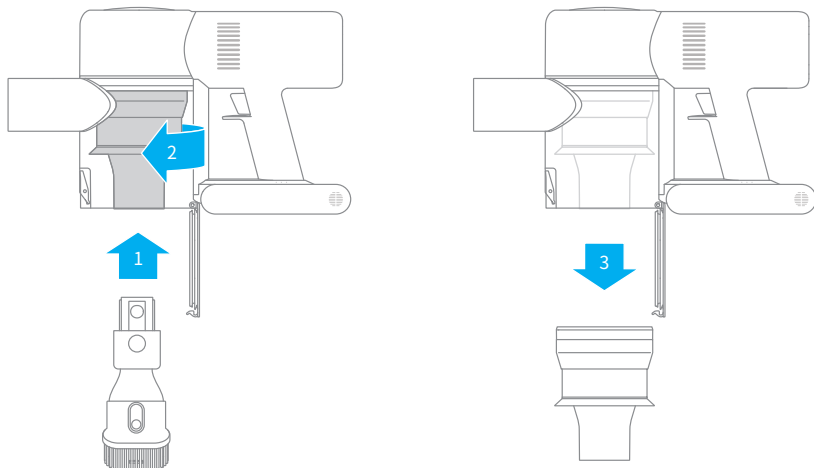


Cura e manutenzione

Pulizia del sistema ciclonico

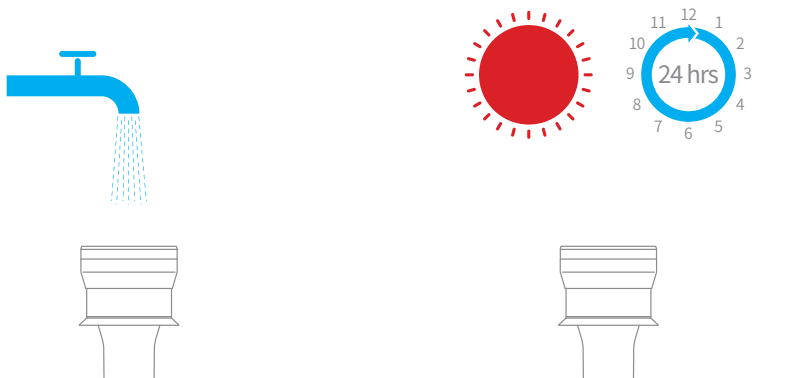
1. Ruotare il sistema ciclonico nella direzione mostrata per sbloccarlo, quindi rimuoverlo.

Nota: Utilizzare l'ugello a spazzola 2-in-1 per rimuovere il componente del sistema a ciclone. Ruotare l'ugello nella direzione mostrata in figura per una pulizia accurata.



2. Sciacquare il componente del sistema a ciclone con acqua finché non è pulito. Asciugarlo completamente.

Nota: Tenerlo in un luogo ventilato o fresco per almeno 24 ore.

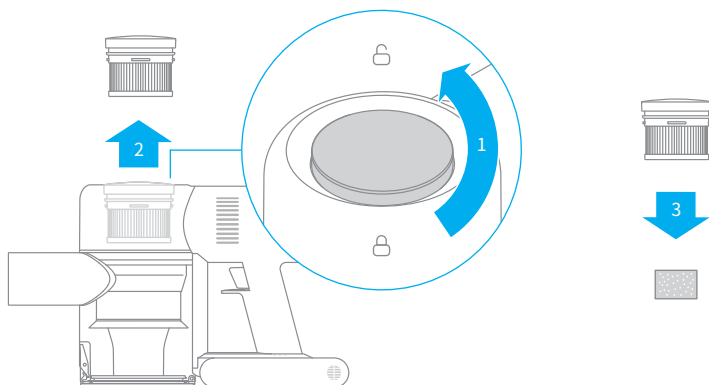


Cura e manutenzione

Pulizia del filtro HEPA

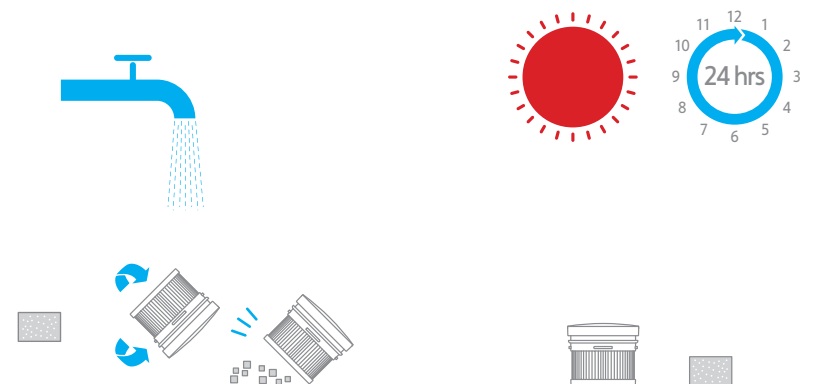
1. Appoggiare l'aspirapolvere su una superficie piana in modo che sia stabile, quindi girare il coperchio del filtro HEPA nella direzione indicata e rimuovere il filtro HEPA.

Nota: Rimuovere la spugna incorporata prima di pulire il filtro.



2. Sciacquare il filtro HEPA e la spugna con acqua. Per rimuovere completamente tutta la polvere catturata nel filtro, ruotare il filtro HEPA di 360 gradi durante il risciacquo. Battere leggermente più volte il filtro contro un lavandino per rimuovere eventuali detriti in eccesso. Conservare il filtro HEPA in un luogo fresco e ben ventilato per asciugarlo completamente.

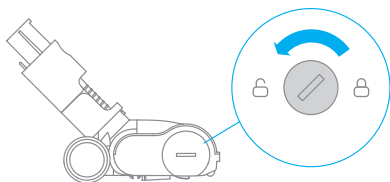
Nota: Tenerlo in un luogo ventilato o fresco per almeno 24 ore.



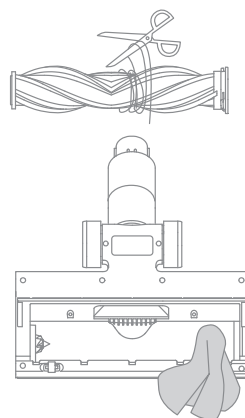
Cura e manutenzione

Pulire la barra multi-spazzola

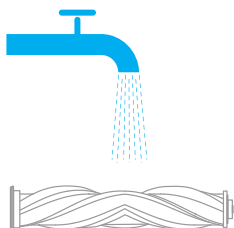
1. Ruotare la fibbia di blocco in senso antiorario fino alla posizione di arresto come mostrato in figura, ed estrarre la spazzola a rullo dalla spazzola per pavimenti.



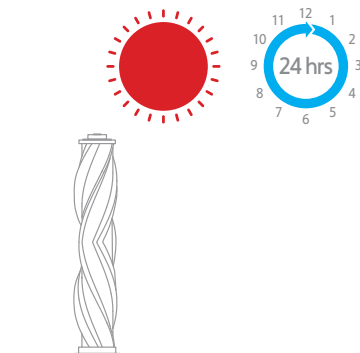
2. Utilizzare delle forbici per tagliare ed estrarre capelli o altri detriti aggrovigliati intorno alla spazzola a rullo. Rimuovere la polvere in eccesso dall'alloggiamento e dal coperchio in plastica trasparente con un panno asciutto o un tovagliolo di carta.



3. Quando è sporco, sciacquare la testina con acqua pulita fino a quando non è pulita.



4. Dopo il lavaggio, lasciare asciugare completamente la spazzola a rullo mantenendola in posizione verticale in un'area ben ventilata per almeno 24 ore.



Cura e manutenzione

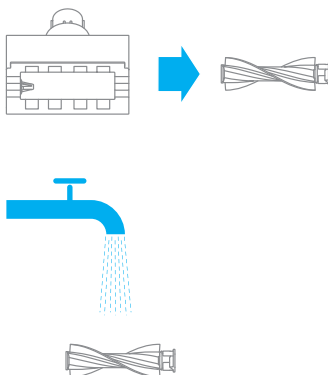
Pulizia della mini spazzola elettrica

1. Usare una monetina per ruotare il blocco in senso antiorario finché non si sente un clic.

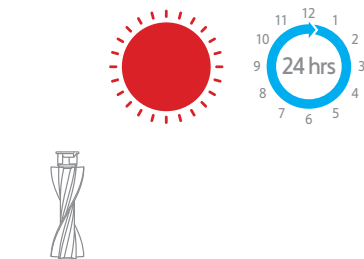
Nota: Si consiglia di fare la pulizia dopo ogni utilizzo.



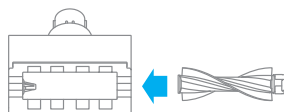
2. Dopo aver sbloccato la spazzola a rullo, rimuoverla dalla mini spazzola elettrica, quindi sciacquare e pulire la spazzola a rullo.



3. Dopo il lavaggio, lasciare asciugare completamente la spazzola a rullo mantenendola in posizione verticale in un'area ben ventilata per almeno 24 ore.



4. Quando è asciutta, reinstallare la spazzola a rullo seguendo a ritroso le istruzioni fornite per lo smontaggio.



Domande Frequenti

Se l'aspirapolvere non funziona correttamente, fare riferimento alla tabella di risoluzione dei problemi riportata di seguito.

Errore	Possibile causa	Soluzione
L'aspirapolvere non funziona.	La batteria è completamente o quasi scarica.	Caricare completamente l'aspirapolvere, quindi riprendere l'uso.
	Entra in modalità di protezione da surriscaldamento attivata da un'ostruzione.	Attendere che l'aspirapolvere si raffreddi, quindi riattivarlo.
	La bocchetta di aspirazione o il passaggio dell'aria è ostruito.	Rimuovere le ostruzioni dalla bocchetta di aspirazione o dal passaggio dell'aria.
La potenza di aspirazione è diminuita.	Il vano polvere è pieno e/o il filtro è intasato.	Svuotare lo scomparto raccogli polvere e pulire il filtro HEPA.
	L'accessorio è ostruito.	Eliminare eventuali ostruzioni nell'accessorio.
Il motore emette un rumore strano.	La bocchetta di aspirazione principale o l'asta di prolunga è ostruita.	Rimuovere le ostruzioni dalla bocchetta di aspirazione principale o dall'asta di prolunga.
La prima spia è rossa dopo l'accensione dell'aspirapolvere.	La batteria è danneggiata.	Contattare il servizio di assistenza post-vendita per la manutenzione.
La prima spia lampeggia in rosso durante la ricarica dell'aspirapolvere.	Il caricabatterie non è compatibile.	Per ricaricare l'aspirapolvere, utilizzare esclusivamente il caricabatterie originale.
La spia della batteria non si accende durante la ricarica.	Il caricabatterie non è collegato all'aspirapolvere.	Assicurarsi che il caricabatterie sia collegato correttamente.
	La batteria è completamente carica e si è avviata la modalità di risparmio energia.	È possibile utilizzare l'aspirapolvere normalmente.
	Se il problema persiste anche dopo aver escluso le due ipotesi indicate in precedenza.	Contattare il servizio post-vendita per ottenere assistenza.
La batteria si ricarica lentamente.	La temperatura della batteria è troppo bassa o troppo alta.	Attendere che la temperatura della batteria torni alla normalità, quindi riprendere l'utilizzo.

Specifiche tecniche

Aspirapolvere			
Modello	VVT1	Tensione di ricarica	Circa 4 ore
Tensione di ricarica	30 V ===	Tensione nominale	25,2 V ===
Potenza nominale	550 W	Capacità nominale	3000 mAh
Barra multi-spazzola		Mini spazzola elettrica	
Modello	AVB9	Modèle	DM002
Potenza nominale	40 W	Potenza nominale	20 W

Questo prodotto contiene batterie che possono essere sostituite solo da un tecnico qualificato o da un centro di assistenza post-vendita.

Questo prodotto contiene batterie non sostituibili.

Informazioni RAEE



Tutti i prodotti contrassegnati da questo simbolo sono rifiuti di apparecchiature elettriche ed elettroniche (RAEE in base alla direttiva 2012/19/UE) che non devono essere smaltiti assieme a rifiuti domestici non differenziati. Al contrario, è necessario proteggere l'ambiente e la salute umana consegnando i rifiuti a un punto di raccolta autorizzato al riciclaggio di rifiuti di apparecchiature elettriche ed elettroniche, predisposto dalla pubblica amministrazione o dalle autorità locali. Lo smaltimento e il riciclaggio corretti aiutano a prevenire conseguenze potenzialmente negative all'ambiente e alla salute umana. Contattare l'installatore o le autorità locali per ulteriori informazioni sulla sede e per i termini e le condizioni di tali punti di raccolta.

Instrucciones de seguridad importantes

Antes de utilizar este electrodoméstico, lea todas las instrucciones y etiquetas de advertencia incluidas en este manual y en la Máquina, para evitar descargas eléctricas, incendios y otras lesiones accidentales causadas por el uso incorrecto.

Advertencia

Este aparato no puede ser utilizado por personas con limitaciones físicas, sensoriales o mentales, o sin experiencia y conocimiento (niños incluidos), a menos que sean supervisados y reciban instrucciones sobre el uso seguro de la máquina por parte de un adulto responsable de su seguridad y entiendan los riesgos que implicados.

No permita que la máquina se utilice como un juguete, se debe vigilar a los niños para asegurarse de que no juegan con la máquina. Preste mucha atención si es utilizada cerca o por niños o se utiliza cerca de ellos. Se prohíbe que los niños realicen la limpieza y el mantenimiento de la máquina sin supervisión.

Esta máquina está diseñada para uso doméstico exclusivamente. No la utilice en el exterior ni sobre superficies mojadas. No manipule ningún componente ni el enchufe con las manos mojadas.

Revise la batería de litio y el cargador antes de usarlos. Para evitar incendios, explosiones o lesiones, no use la aspiradora cuando la batería de litio o el cargador estén dañados.

El cepillo todo-terreno, el mini-cepillo eléctrico, la batería, la vara metálica conectora, la boquilla LED para grietas, el adaptador flexible y el cuerpo principal del aspirador son partes energizadas. No lo sumerja en agua ni lo ponga en otros líquidos. Después de la limpieza diaria, asegúrese de que todos los filtros estén completamente secos.

Evite lesiones causadas por piezas móviles. Apague el aspirador antes de limpiar el cepillo todo-terreno y mini-cepillo eléctrico. El cepillo todo-terreno, el depósito de polvo y el filtro deben estar instalados correctamente antes de encender el aspirador.

Use solo el cargador original, no use un adaptador no oficial, ya que otro tipo de cargador puede provocar que la batería de litio se incendie.

No utilice la aspiradora para recoger agua, ni para aspirar gasolina u otros líquidos inflamables o explosivos. No recoja líquido tóxico como cloro, amoníaco, limpiadores de alfombrillas u otros líquidos.

Está prohibido usar esta aspiradora para limpiar polvo sobre paneles de yeso, cenizas de chimenea y ceniza, no aspire nada que esté en llamas o desprenda humo como, por ejemplo, carbón, cigarrillos, cerillas o cenizas incandescentes. Está prohibido usar la aspiradora para limpiar objetos afilados como vidrio, clavos, tornillos, monedas, de lo contrario, dañará la aspiradora.

No utilice el aspirador para recoger objetos afilados o duros, como vidrio, clavos, tornillos o monedas, que puedan dañar la máquina.

Evite que el pelo, la ropa, los dedos o cualquier otra parte del cuerpo entre en contacto con las aberturas o las piezas móviles. No apunte con la manguera, la empuñadura o los accesorios a los ojos u orejas, ni se los meta en la boca.

No introduzca ningún objeto en las aberturas de la máquina. No utilice la máquina si alguna abertura está bloqueada; manténgalo limpio de polvo, pelusa, pelo o cualquier otra sustancia que pueda reducir el flujo de aire.

No coloque la aspiradora sobre la silla, la mesa del comedor y otras superficies inestables para evitar daños a la aspiradora o daños al usuario. No utilice la máquina si no funciona correctamente, ha recibido un golpe, se ha caído o ha sufrido daños. Póngase en contacto con el servicio de Atención al Cliente de Dreame, no desmonte la máquina.

Cargue la batería siguiendo estrictamente las instrucciones del manual. Si no se carga adecuadamente dentro del rango de temperatura especificado, la batería puede dañarse.

Utilice únicamente accesorios y piezas de repuesto aprobados por Dreame.

Desconecte el cargador cuando no se utilice durante períodos prolongados y antes de realizar labores de mantenimiento.

Preste atención mientras limpia en escaleras.

No instale, cargue ni use este aparato en el exterior, en el baño o alrededor de la piscina.

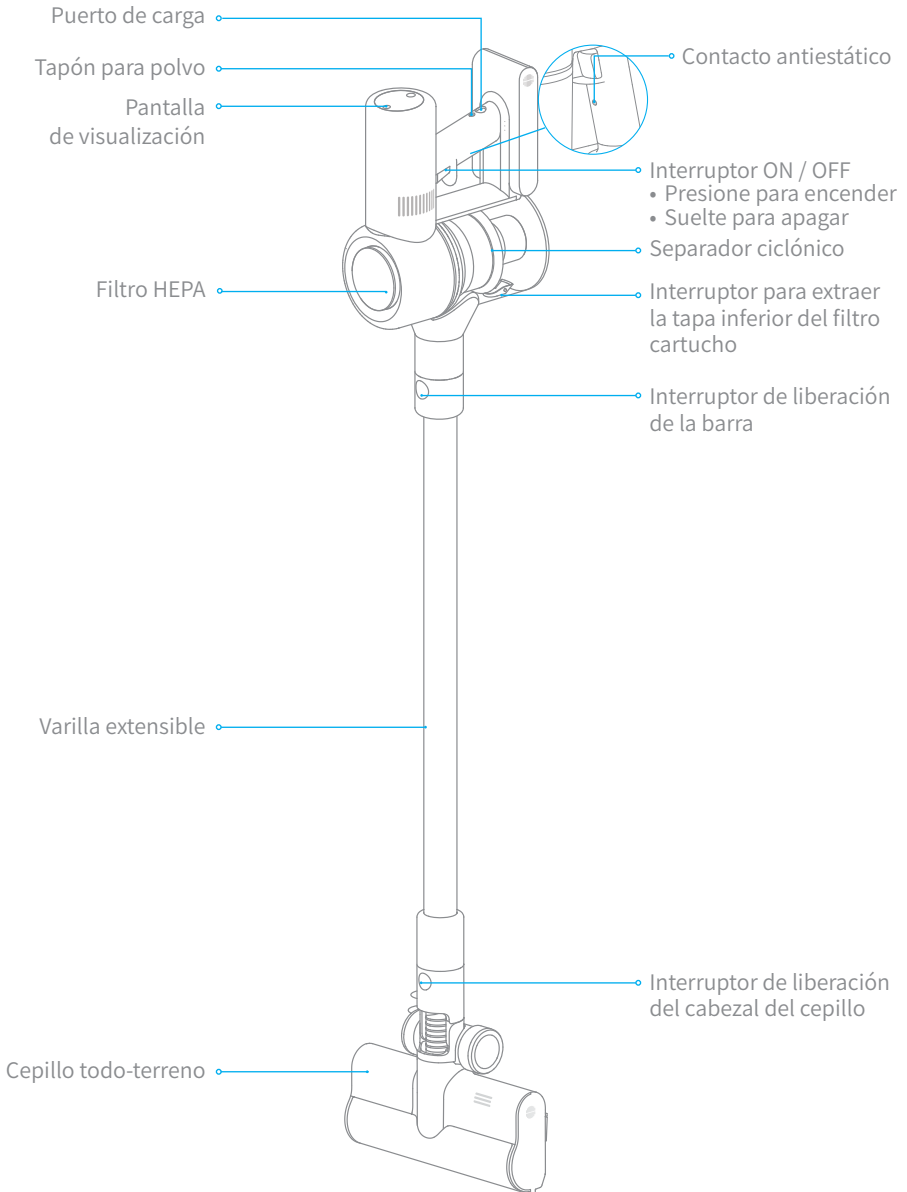
Alerta de incendio, no aplique ninguna fragancia o producto perfumado al filtro de este aparato. Las sustancias químicas en este tipo de productos son conocidas por ser inflamables y pueden causar que el aparato se incendie.

Lea y guarde estas instrucciones.

Nosotros, Dreame Trading (Tianjin) Co., Ltd., por la presente, declaramos que el equipo cumple con las Directivas y Normas Europeas aplicables y las enmiendas. Encontrará el texto completo de la declaración de conformidad de la UE en esta dirección de Internet: www.dreame-technology.com

Descripción del producto

Nombre del componente



Descripción del producto

Lista de accesorios



Cargador



Manguera



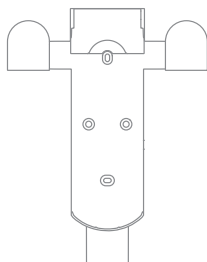
Cepillo de limpieza
blando



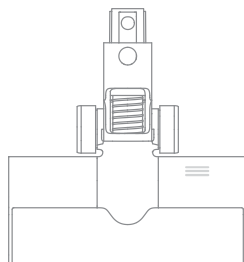
Boquilla combinada
(2 en 1)



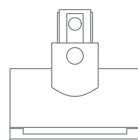
Varilla extensible



Soporte de carga y
almacenamiento 2 en 1
(incluye 2 tornillos, 2 tacos y una
plantilla de montaje adhesiva)



Cepillo todo-terreno



Minicepillo eléctrico



Boquilla para
ranuras



Adaptador flexible

Nota: La imagen es solo de referencia, el objeto real no necesariamente se relaciona con la imagen.

Montaje

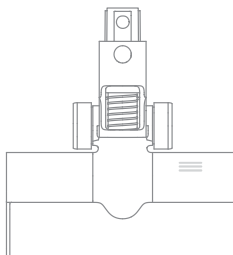
Instalar los accesorios en la aspiradora



Insértelo hasta que encaje en su sitio.

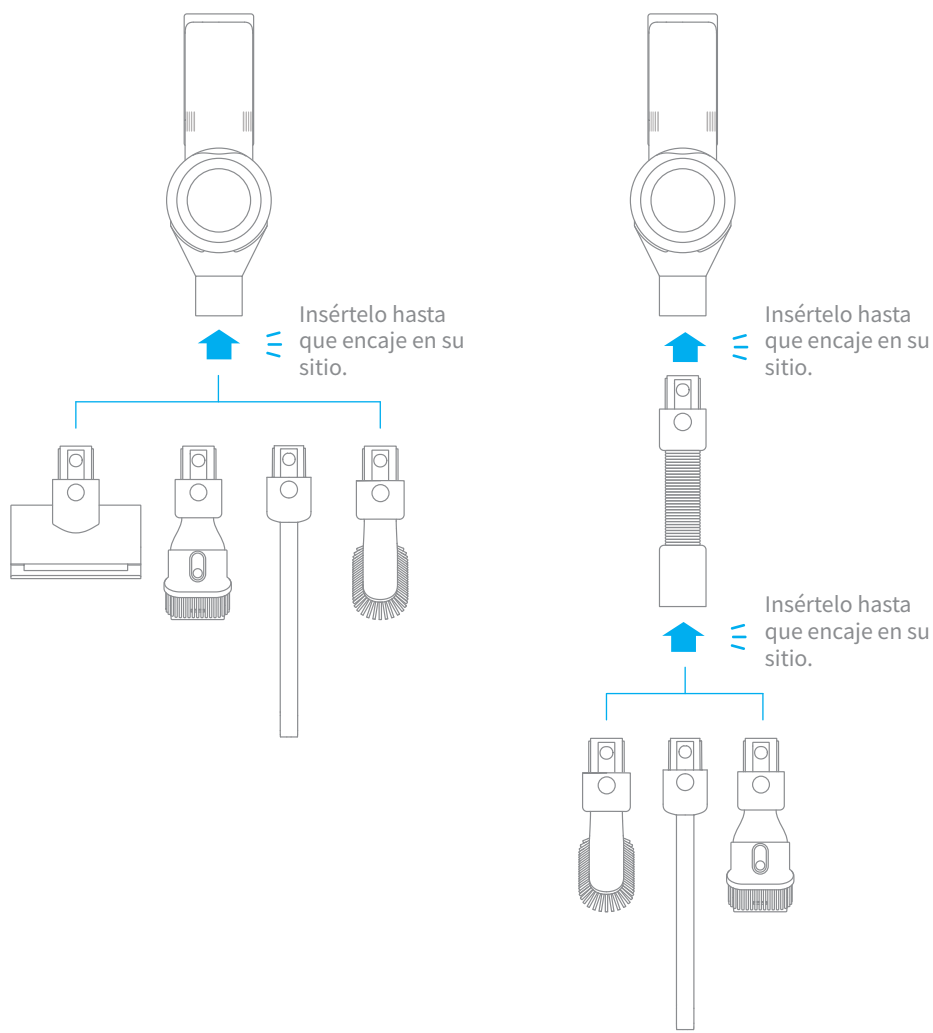


Insértelo hasta que encaje en su sitio.



Montaje

Diagrama para el montaje de accesorios



Montaje

Diagrama para el montaje de accesorios

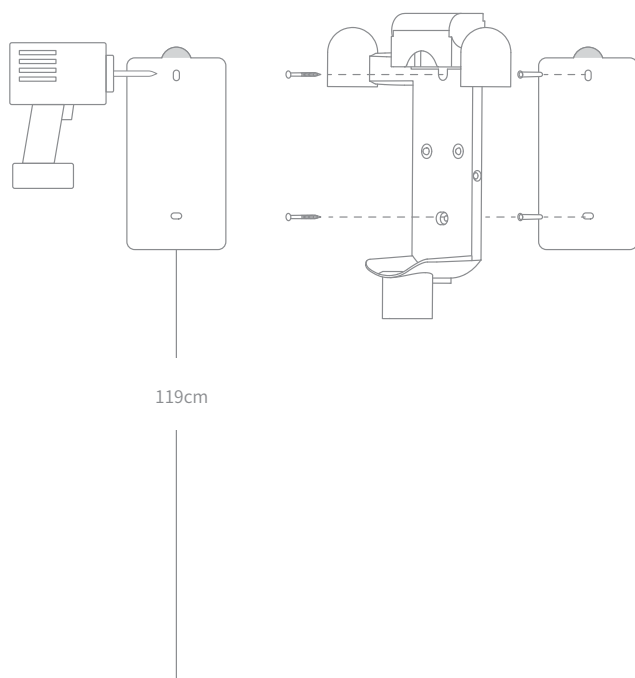


Montar el soporte de carga y almacenamiento (2 en 1)

El soporte de carga y almacenamiento (2 en 1) es un accesorio opcional, puede montarlo según sus necesidades.

Nota: El soporte de carga y almacenamiento (2 en 1) debe ser instalado en un lugar fresco y seco, con un enchufe cercano. Antes de instalarlo, asegúrese de que no haya ningún otro objeto donde se montaría el soporte.

1. El lado inferior de la pegatina de la plantilla de montaje debe estar nivelado y, al menos, a 119 cm del suelo.
2. Utilice un taladro eléctrico con una broca de 8 mm para hacer un orificio en cada marcador de la pegatina de la plantilla de montaje y, a continuación, inserte un taco en cada orificio.
3. Alinee los orificios de montaje del soporte de carga y almacenamiento 2 en 1 con los orificios de la pared y, a continuación, fije el soporte a la pared con los tornillos incluidos.

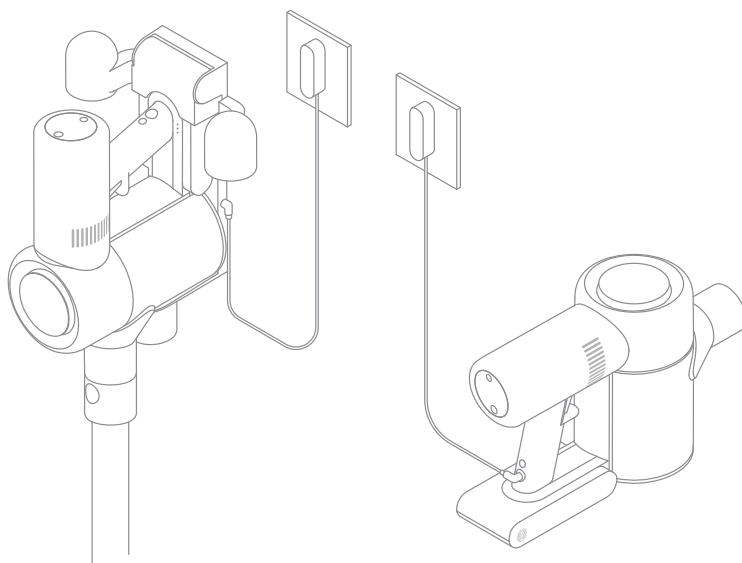


Altura de montaje recomendada: El lado inferior de la pegatina de plantilla de montaje debe quedar nivelado al menos a 119 cm del suelo.

Cargue completamente la aspiradora antes de usarla por primera vez.

Nota:

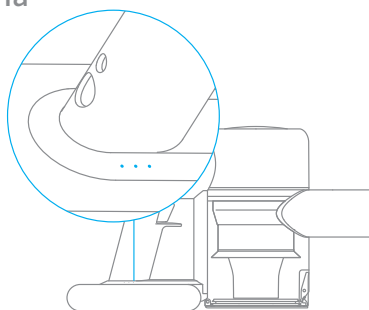
- El aspirador no se puede usar mientras se está cargando.
- Esto puede tardar unas 4 horas. Si se aspira en modo turbo durante un período prolongado, la batería se calentará. Se recomienda dejar que el aspirador se enfríe durante 30 minutos antes de cargarlo de nuevo.



Indicador LED del estado de la batería

☀ ● ● Intermitente ○ Encendido ● Apagado

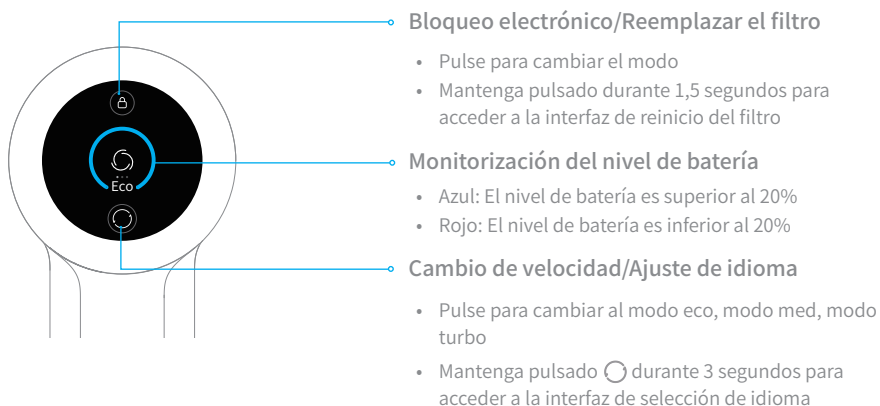
- ☀ ● ● Batería baja
- ☀ ● Batería media
- ○ ☀ Casi cargada
- ○ ○ Totalmente cargada



Nota: Una vez que el aspirador esté completamente cargado, el indicador se apagará 5 minutos más tarde y el aspirador entrará en el modo de ahorro de energía.




Modo de Uso

Indicaciones de las funciones de pantalla



Nota: Si la aspiradora no funciona con normalidad, en la pantalla aparecerá un mensaje de error. Consulte la tabla siguiente para encontrar la solución al problema en función del mensaje de error.

Ajuste de idioma

Mantenga pulsado  durante 3 segundos para acceder a la interfaz de selección de idioma, pulse  para desplazarse por la lista de idiomas, seleccione el idioma apropiado y mantenga pulsado  durante 3 segundos para guardar el idioma seleccionado.

Nota: Si no se realiza ninguna operación durante más de 5 segundos, la pantalla se apagará.

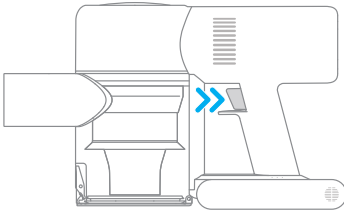
Modo de Uso

Modo de limpieza

El aspirador incluye dos modos de trabajo que se pueden seleccionar según sus necesidades de limpieza.

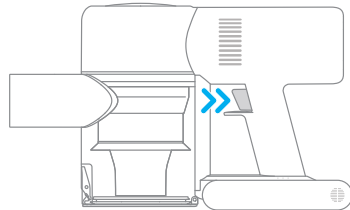
Modo 1: Modo de limpieza discontinua

Mantenga pulsado el interruptor de la aspiradora para comenzar a funcionar y suéltelo para que se detenga.



Modo 2: Modo de limpieza continua (Bloqueo Electrónico)

- En el modo de reposo, pulse la tecla de bloqueo electrónico para cambiar al modo de limpieza continua y luego pulse brevemente el interruptor para que la aspiradora entre en el modo de limpieza continua.
- Use la función de bloqueo electrónico para liberar sus dedos y evitar el cansancio causado por mantener pulsado el interruptor.



Nota:

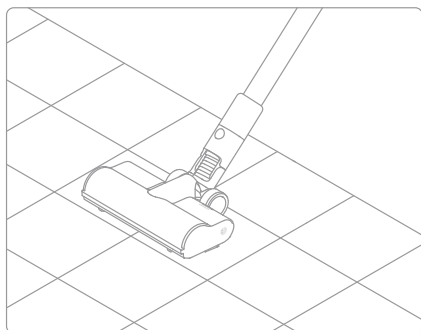
- En este modo, puede pausar o comenzar de nuevo pulsando brevemente el interruptor. El modo de trabajo de la aspiradora no cambiará.
- Vuelva a pulsar el bloqueo electrónico para salir del modo de limpieza continua.

Modo de Uso

Uso de los diferentes accesorios

Cepillo todo-terreno

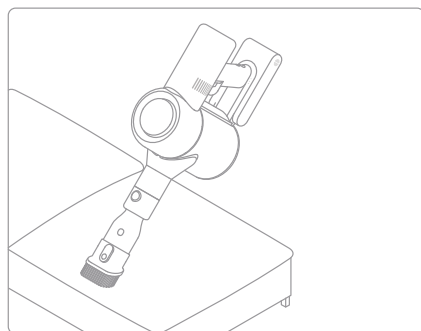
Apta para limpiar alfombras de pelo mediano/corto, azulejos y pisos en general.



Nota: El cepillo todo-terreno se puede conectar directamente a la aspiradora.

Boquilla combinada (2 en 1)

Para aspirar cortinas, sofás, teclados, techos, interiores de vehículos, mesas de café, etc.

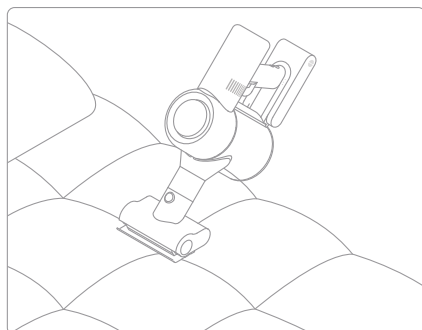


Nota:

- Si alguna pieza giratoria se queda atascada, la aspiradora podría apagarse de forma automática. Extraiga los objetos extraños que se hayan quedado atascados y reanude el uso.
- Si la batería funciona a temperaturas demasiado elevadas, la aspiradora se apagará automáticamente. Espere a que la temperatura de la batería vuelva a ser normal y, a continuación, reanude el uso.

Minicepillo eléctrico

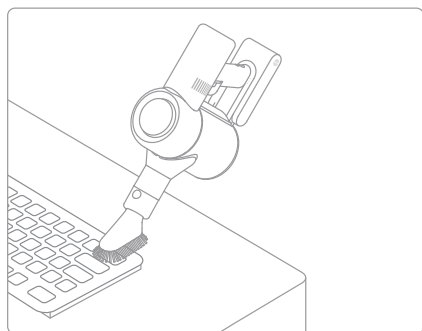
Para aspirar la suciedad, los pelos de mascota y otros restos resistentes de los sofás, la ropa de cama y otras superficies de tela.



Nota: No se recomienda pasar la aspiradora por superficies que puedan engancharse, como la seda.

Cepillo de limpieza blando

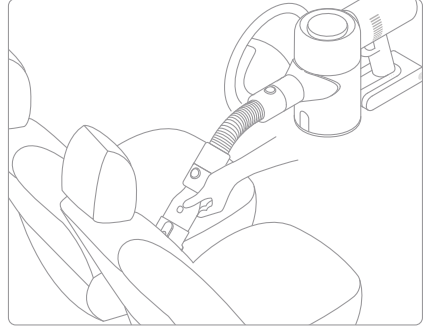
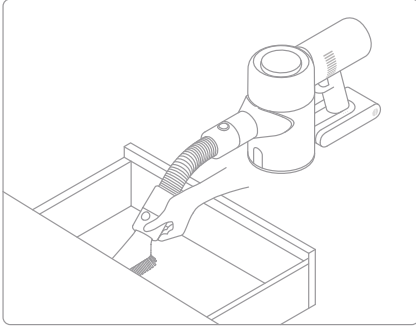
Es apta para limpiar pantallas LCD, teclados, pantallas de lámparas, cortinas, persianas y otras superficies de objetos frágiles.



Modo de Uso

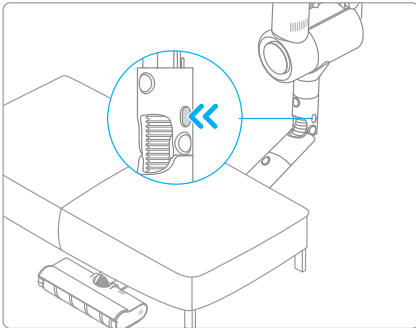
Manguera

Cuando se usa con un cepillo de limpieza blando o un boquilla combinada (2 en 1), es apta para limpiar las esquinas que no son de fácil acceso, como los cajones, el interior de los automóviles y la parte inferior del sofá.



Adaptador flexible

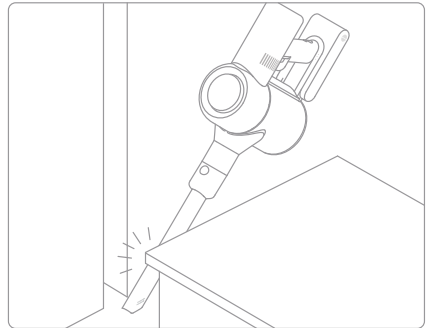
Doble la varilla con un clic para alcanzar fácilmente a debajo de muebles como cama y sofá.



Nota: El adaptador flexible es apto para limpiar muebles bajos. No se recomienda mantenerlo siempre conectado al aspirador durante limpieza cotidiana del piso.

Boquilla con luz LED para grietas

La boquilla cuenta con una fina abertura de succión y luz LED, apta para entrar en grietas e iluminar y limpiar lugares estrechos y desordenados.



Nota: La boquilla LED para grietas se puede usar con una manguera de extensión (la boquilla LED para grietas no se enciende cuando está conectada a la manguera de extensión no conductora).

Modo de Uso

Nota: Si la aspiradora no funciona con normalidad, en la pantalla aparecerá un mensaje de error. Consulte la tabla siguiente para encontrar la solución al problema en función del mensaje de error.



Compruebe si el filtro cartucho, varilla extensible y el cepillo todo-terreno están bloqueados.





Consulte "Limpieza del cepillo todo-terreno" en la sección de Cuidado y mantenimiento para ver las instrucciones de cómo limpiar de pelo y otros desechos el rodillo.



Consulte la sección del manual de mantenimiento [Limpieza del filtro HEPA] para extraer el filtro y reemplazarlo.



Mantenga pulsado  durante 5 segundos para acceder a la pantalla de la cuenta atrás del restablecimiento de filtro. Cuando aparece  en la pantalla, indica que se ha colocado con éxito.



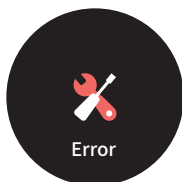
Recárguela cuanto antes.



Recárguela cuanto antes.



Espere a que la temperatura de la batería se normalice antes de reanudar el uso.



Póngase en contacto con el servicio posventa para concertar una cita de mantenimiento.

Cuidado y mantenimiento

Advertencia

1. Antes de vaciar el compartimento, asegúrese de que la aspiradora está desconectada de la corriente y no pulse el interruptor de encendido.
2. Utilice siempre piezas originales para evitar que se anule la garantía.
3. Si no va a utilizar la aspiradora durante un largo periodo de tiempo, cárguela completamente, desenchúfela de la corriente y guárdela en un lugar fresco, seco y protegida de la luz solar. Para evitar que la batería se descargue en exceso, recargue la aspiradora al menos una vez cada tres meses.

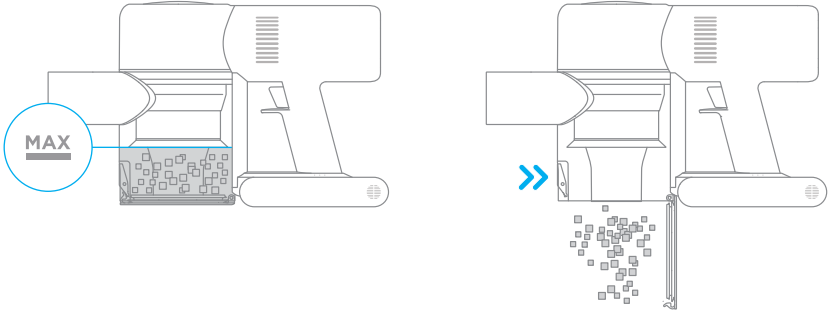
Limpieza de la aspiradora

Limpie la aspiradora con un paño seco y suave.

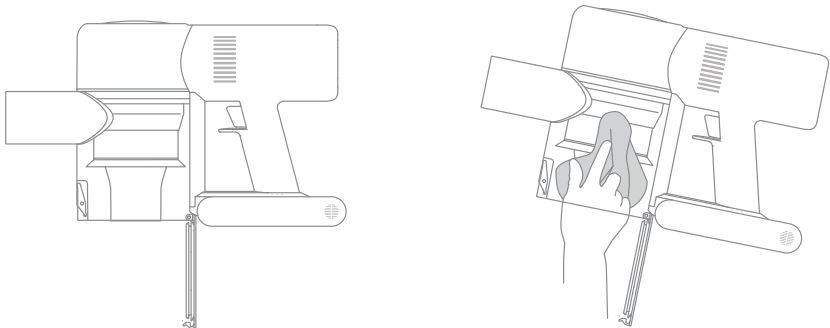
Limpieza del compartimento para el polvo

Reducida en caso de que el compartimento para el polvo esté lleno y alcance la marca de "MAX". Para que recupere su rendimiento, vacíe el compartimento para el polvo de manera oportuna.

1. Vaciar el depósito de polvo: Pulse el interruptor para extraer la tapa inferior del compartimento de polvo y vacíe el contenido.



2. Limpiar el depósito de polvo: use un paño seco o una toalla de papel para quitar el polvo de la pared interior del depósito de polvo.

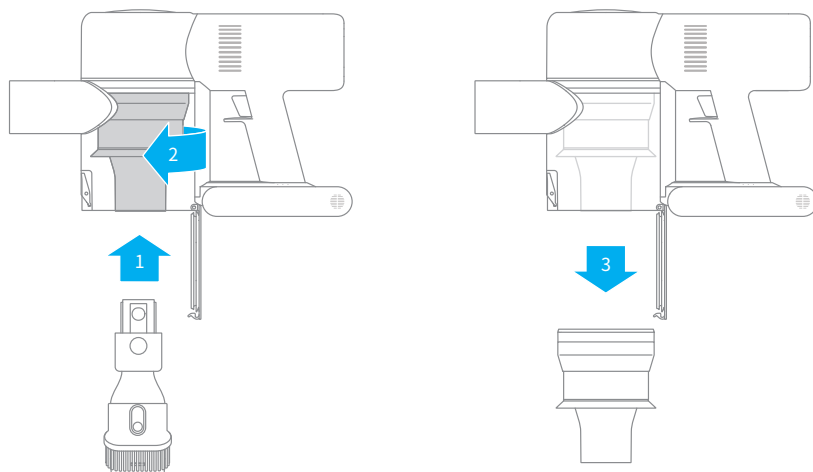


Cuidado y mantenimiento

Limpieza del conjunto del ciclón

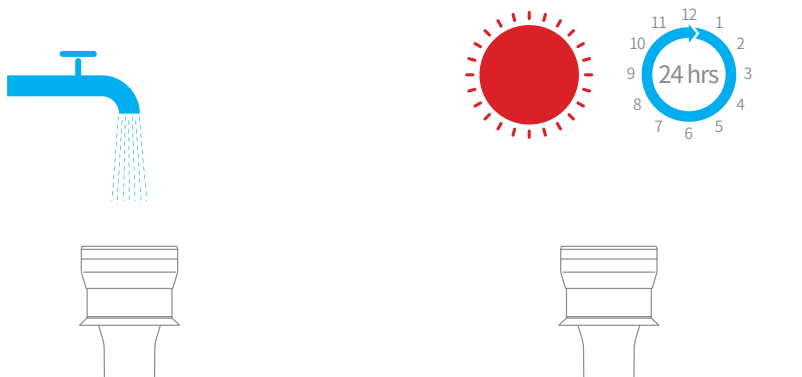
1. Gire el conjunto del ciclón en la dirección ilustrada para desbloquearlo y, a continuación, retire el conjunto del ciclón.

Nota: Utilice la boquilla combinada (2 en 1) para quitar el separador ciclónico de la carcasa. Gire la boquilla en la dirección mostrada en el diagrama para lograr una limpieza profunda.



2. Enjuague el conjunto del sistema ciclónico con agua hasta que esté limpio. Séquelo completamente.

Nota: Guárdelo en un lugar bien ventilado o fresco durante al menos 24 horas.

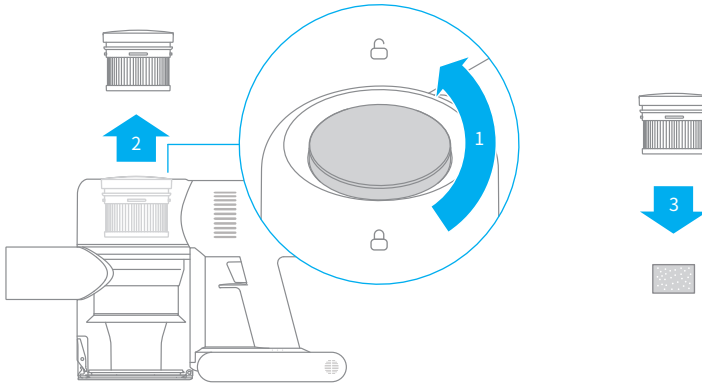


Cuidado y mantenimiento

Limpeza del filtro HEPA

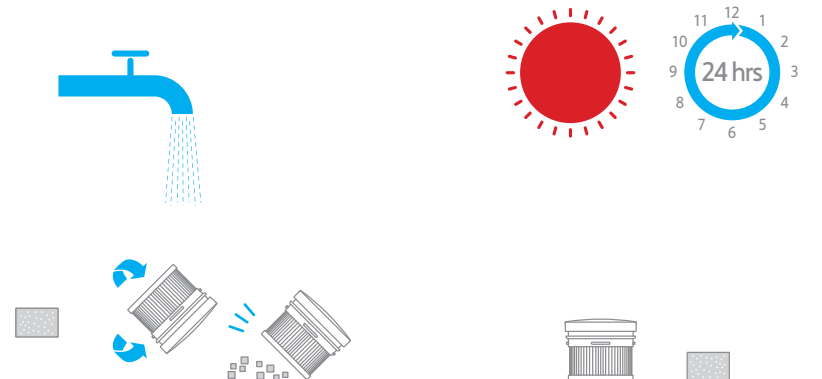
1. Coloque el aspirador firmemente sobre una superficie plana, luego gire la cubierta del conjunto del filtro HEPA en la dirección indicada y retire el conjunto.

Nota: Retire la almohadilla de espuma incorporada antes de limpiar el conjunto del filtro HEPA.



2. Enjuague el filtro HEPA y la almohadilla de espuma con agua. Para eliminar totalmente el polvo atrapado en el filtro, gire el filtro HEPA 360 grados durante el enjuague. Golpee ligeramente el filtro contra el fregadero varias veces para confirmar que no hay suciedad restante. Mantenga el filtro HEPA en un lugar fresco y bien ventilado para que se seque completamente.

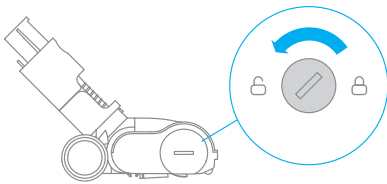
Nota: Seque completamente el filtro (al menos 24 horas) antes de reinstalarlo.



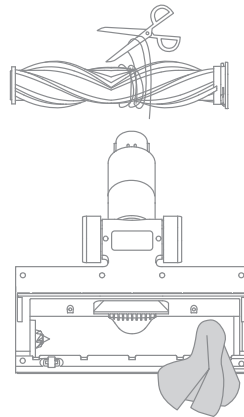
Cuidado y mantenimiento

Limpiar el cepillo todo-terreno

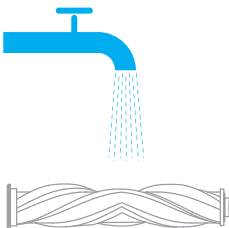
1. Como se muestra en el gráfico, gire el bloqueo en sentido antihorario hasta que se detenga, luego retire el cepillo de rodillo de la barra de cepillos.



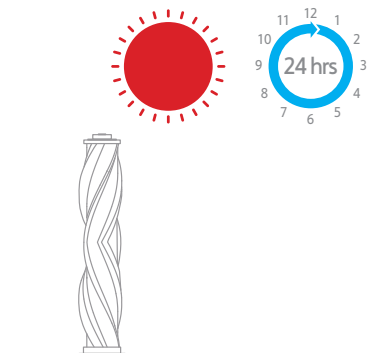
2. Utilice unas tijeras para cortar y recoger los pelos, o cualquier otro desecho, que se haya quedado enredado en el rodillo. Limpie el exceso de polvo de la ranura y de la cubierta de plástico transparente con un paño seco o con papel absorbente.



3. Cuando esté sucio, enjuague el cabezal del cepillo con agua limpia hasta que esté limpio.



4. Tras la limpieza, deje que el rodillo se seque completamente, poniéndolo en posición vertical en un área bien ventilada durante al menos 24 horas.

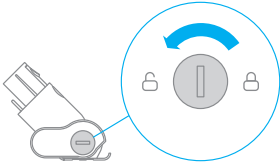


Cuidado y mantenimiento

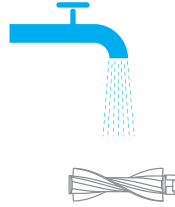
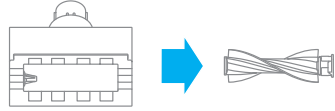
Limpieza del minicepillo eléctrico

1. Utilice una moneda para girar el cierre en sentido contrario a las agujas del reloj, hasta que oiga un clic.

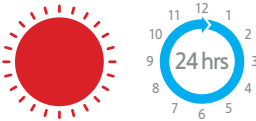
Nota: Se recomienda realizar limpieza después de cada uso.



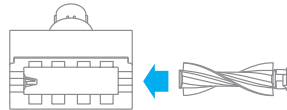
2. Tras desbloquear el rodillo, retírelo del minicepillo eléctrico y enjuague y limpie el rodillo.



3. Tras la limpieza, deje que el rodillo se seque completamente, poniéndolo en posición vertical en un área bien ventilada durante al menos 24 horas.



4. Cuando el rodillo esté seco, vuelva a colocarlo siguiendo los pasos del desmontaje a la inversa.



Preguntas frecuentes

Si el aspirador no funciona correctamente, consulte la siguiente tabla de posibles soluciones.

Averías comunes	Posible causa	Solución
La aspiradora no funciona.	No tiene batería o le queda poca.	Cargue completamente la aspiradora y reanude el uso.
	Activa el modo de protección contra sobrecalentamiento debido a una obstrucción.	Espera hasta que el aspirador se enfríe, luego reactívelo.
	La abertura de succión o el conducto de aire está bloqueado.	Limpie cualquier obstrucción de la abertura de succión o del conducto de aire.
La potencia de succión disminuye.	El compartimento de polvo está lleno y/o el filtro está obstruido.	Vacíe el depósito del polvo y limpie el conjunto del filtro HEPA.
	El accesorio ensamblado está bloqueada.	Despeje cualquier bloqueo en el accesorio ensamblado.
El motor hace un ruido raro.	La abertura de succión principal o la varilla extensible está bloqueada.	Limpie cualquier obstrucción en la abertura de succión principal o en la Varilla extensible.
El primer indicador aparece rojo después de encender la aspiradora.	El pack de batería está dañado.	Póngase en contacto con el servicio posventa para concertar una cita de mantenimiento.
El primer indicador parpadea en rojo al cargar la aspiradora.	El cargador no es compatible.	Utilice únicamente el cargador original para cargar la aspiradora.
El indicador de batería no se enciende durante la carga.	El cargador no está conectado a la aspiradora.	Asegúrese de que el cargador esté bien conectado.
	La batería está totalmente cargada y cambió al modo de suspensión.	Puede utilizar la aspiradora como de costumbre.
	Si el problema persiste después de descartar las dos posibilidades anteriores.	Póngase en contacto con el servicio posventa para obtener ayuda.
La batería se carga lentamente.	La temperatura de la batería es demasiado alta o baja.	Espera a que la temperatura de la batería se normalice y reanude el uso.

Especificaciones

Aspiradora			
Modelo	VVT1	Tiempo de carga	Aproximadamente 4 horas
Tensión de carga	30 V ===	Tensión nominal	25,2 V ===
Potencia nominal	550 W	Capacidad nominal	3000 mAh
Cepillo todo-terreno		Minicepillo eléctrico	
Modelo	AVB9	Modèle	DM002
Potencia nominal	40 W	Potencia nominal	20 W

Este producto contiene baterías que sólo pueden ser reemplazadas por técnicos cualificados o por el servicio postventa.

Este producto contiene baterías que no son reemplazables.

Información sobre RAEE



Todos los productos que llevan este símbolo son residuos de aparatos eléctricos y electrónicos (RAEE según la directiva 2012/19/UE) que no deben mezclarse con residuos domésticos sin clasificar. En su lugar, debe proteger la salud humana y el medio ambiente entregando sus equipos de desecho a un punto de recogida para el reciclaje de residuos de equipos eléctricos y electrónicos, designado por el gobierno o las autoridades locales. La eliminación y el reciclado correctos ayudarán a evitar posibles consecuencias negativas para el medio ambiente y la salud humana. Póngase en contacto con el instalador o con las autoridades locales para obtener más información sobre la ubicación y las condiciones de dichos puntos de recogida.

Инструкции по технике безопасности

Во избежание травм из-за случайного поражения электрическим током или воспламенения в результате неправильной эксплуатации изделия перед началом использования внимательно прочитайте руководство по эксплуатации.

Предупреждение

Данное изделие не должно использоваться людьми с ограниченными физическими или интеллектуальными возможностями и нарушениями в работе органов чувств, а также лицами, не имеющими соответствующего опыта и знаний (включая детей), за исключением случаев, когда изделие используется под наблюдением или руководством ответственного лица для гарантии безопасности.

Детям строго запрещено использовать данное изделие по назначению или в качестве игрушки. Будьте крайне осторожны во время использования изделия вблизи детей. Детям строго запрещено чистить или ремонтировать изделие без присутствия взрослых.

Строго запрещено использовать изделие на открытом воздухе или влажной поверхности. Используйте изделие только на сухой поверхности внутри помещения, не прикасайтесь к штепсельной вилке или любой другой части изделия мокрыми руками.

Во избежание воспламенений, взрывов или травм проверьте литиевый аккумулятор и зарядное устройство перед началом использования на наличие повреждений. Запрещено использовать пылесос, если литиевая батарея или зарядное устройство повреждены.

Многофункциональная щетка, электрическая мини-щетка, аккумулятор, удлинитель, щелевая насадка LED, нижний адаптер и основной блок пылесоса являются токопроводящими элементами. Не погружайте эти элементы в воду или другие жидкости во время очистки. После ежедневной очистки убедитесь, что все фильтрующие устройства полностью просушены.

Во время очистки многофункциональной щетки и электрической мини-щеточки выключите основной блок пылесоса, чтобы вращающаяся роликовая щетка не нанесла травму пользователю. Строго запрещено использовать изделие без установки многофункциональной щетки, контейнера для пыли и фильтра.

Используйте только оригинальное зарядное устройство, не используйте неофициальный адаптер, так как это может привести к возгоранию литиевого аккумулятора.

Не используйте изделие для удаления воды, легковоспламеняющихся или взрывоопасных жидкостей, таких как бензин и т.д. Не используйте изделие для удаления токсичных растворов, таких как хлорный отбеливатель, аммиак, чистящие средства для канализации, или других жидкостей.

Запрещено использовать пылесос для очистки извести, цемента, гипсового порошка, каминной золы и пепла, а также для дыма или зажигательных средств, таких как угли, окурки или спички.

Перед началом эксплуатации проверьте зону для уборки. В случае обнаружения крупных листов бумаги, бумажных шариков, пластиковых или острых предметов (например, стекло, гвозди, винты, монеты и т.д.), а также элементов крупнее диаметра трубочки для напитков удалите их, чтобы избежать засорения всасывающей трубы и нарушения нормальной работы изделия.

Держите воздушное отверстие и движущиеся части изделия подальше от волос, просторной одежды, пальцев и других частей тела. Не направляйте удлинитель и детали в сторону глаз, ушей или рта.

Запрещено ставить какие-либо предметы на всасывающее отверстие. Не используйте пылесос, если всасывающее отверстие засорилось. Наличие больших кусков пыли, ваты, волос и других предметов может привести к ослаблению воздушного потока. Своевременно проводите очистку.

Не прислоняйте пылесос к неустойчивым предметам, таким как стул или обеденный стол, чтобы не повредить пылесос и не травмировать пользователя в результате падения пылесоса. При повреждении или неисправности пылесоса в результате падения, обратитесь к официальному сервисному представителю. Не разбирайте изделие самостоятельно.

Заряжайте батарею в строгом соответствии с инструкциями. В случае неправильной зарядки и превышении указанного диапазона температуры, батарея может быть повреждена.

Используйте только оригинальные аксессуары и сменные детали компании Dreame.

Извлеките штепсельную вилку перед техническим обслуживанием или ремонтом, а также в случае продолжительного хранения изделия.

Будьте предельно внимательны во время использовании изделия для уборки лестницы.

Не проводите сборку, не заряжайте и не используйте данное изделие на улице, в ванной комнате или вблизи бассейна.

Предупреждение об опасности возгорания: Не наносите какие-либо ароматизаторы на фильтр данного изделия - химические вещества, содержащиеся в таких изделиях являются легковоспламеняющимися и могут привести к возгоранию.

Данное изделие подходит исключительно для домашнего использования.

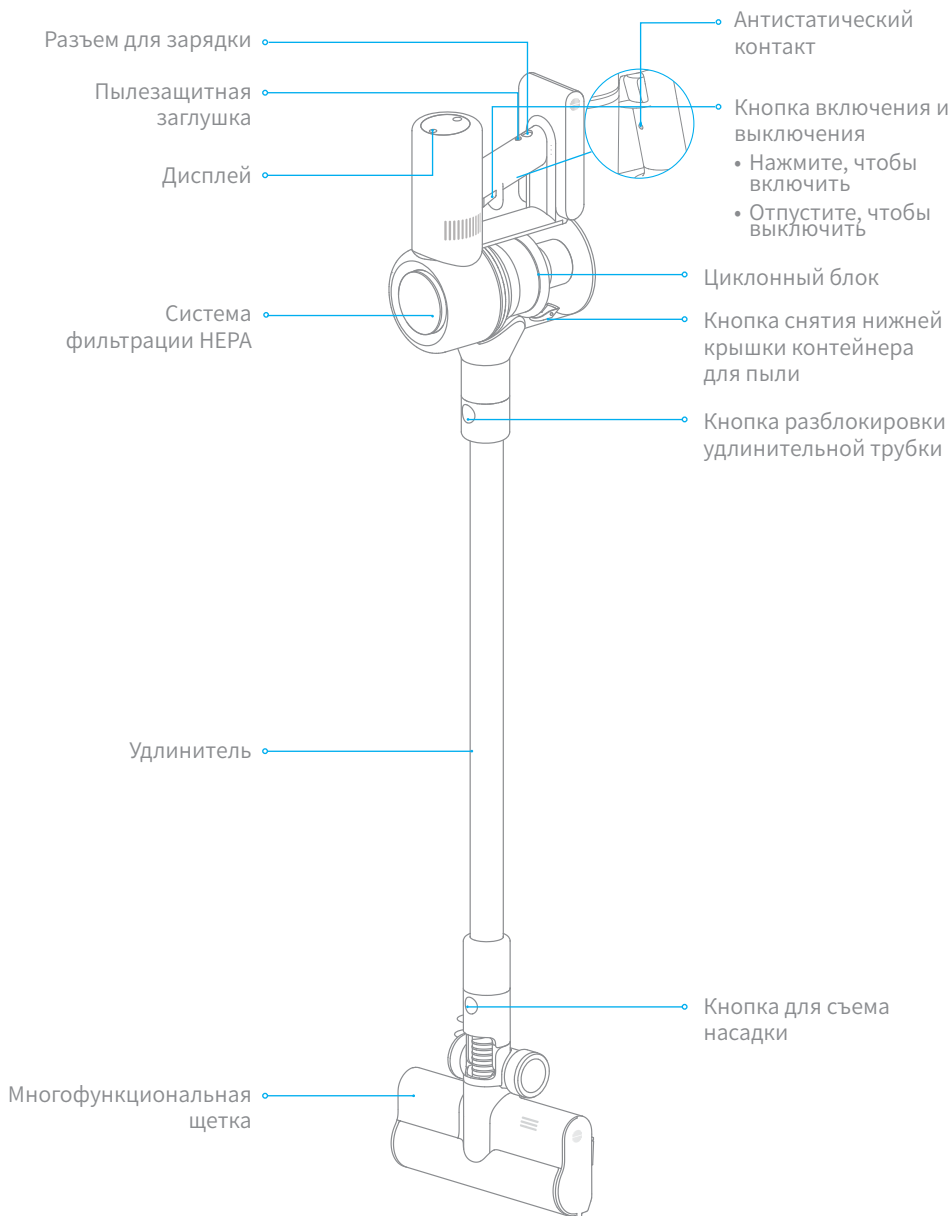
Мы, компания Dreame Trading (Tianjin) Co., Ltd., настоящим заявляем, что данное изделие соответствует требованиям всех действующих директив ЕС и европейских стандартов со всеми изменениями и дополнениями. Полный текст декларации о соответствии нормативным требованиям ЕС доступен по адресу: www.dreame-technology.com

Данное изделие предназначено только для домашнего использования. Меры предосторожности при хранении и транспортировке:

- Не транспортируйте робот-пылесос при температуре выше 50 °С или ниже –20 °С.
- В случае краткосрочного хранения, например одного месяца, пылесос рекомендуется хранить при температуре от –20 °С до 50 °С и относительной влажности 60% ± 5%. В случае длительного хранения пылесос рекомендуется хранить при температуре окружающей среды от 0 °С до 25 °С.
- Утилизируйте пылесос надлежащим образом. По окончании срока службы утилизируйте пылесос в соответствии с местными законами и нормативными актами страны/региона использования. Дату производства см. на этикетке со штрих-кодом.штрих-кодом.

Описание изделия

Название детали



Описание изделия

Список аксессуаров



Зарядное устройство



Удлинительная трубка



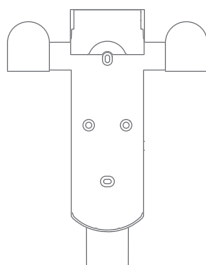
Мягкая щетка для пыли



Щетка "2 в 1"

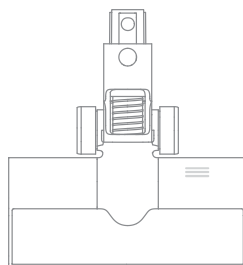


Удлинитель

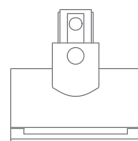


Подставка для зарядки и хранения "2 в 1"

(в комплекте: 2 винта, 2 дюбеля и стикер места фиксации)



Многофункциональная щетка



Электрическая мини-щетка



Щелевая насадка LED

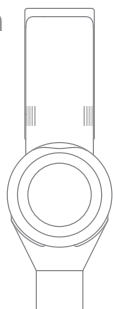


Нижний адаптер

Примечание. Все иллюстрации в данном руководстве приведены исключительно для справки. По внешним параметрам ориентируйтесь на фактический вид изделия.

Инструкция по установке и сборке

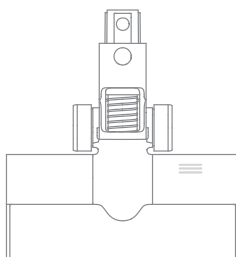
Сборка основного корпуса



Вставьте до щелчка

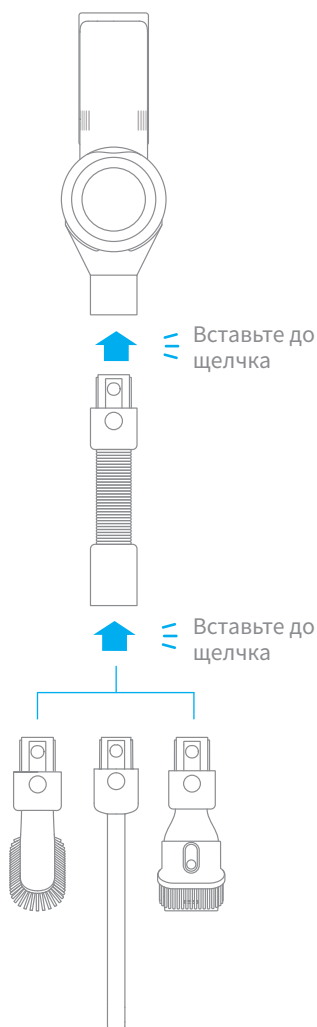
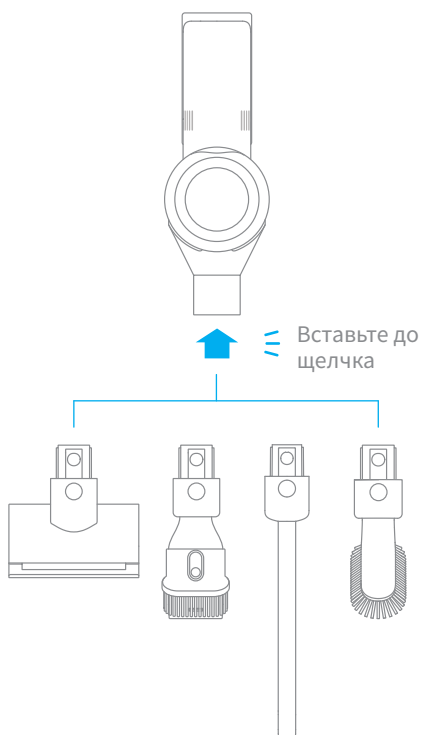


Вставьте до щелчка



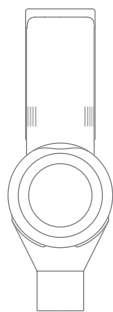
Инструкция по установке и сборке

Установка аксессуаров



Инструкция по установке и сборке

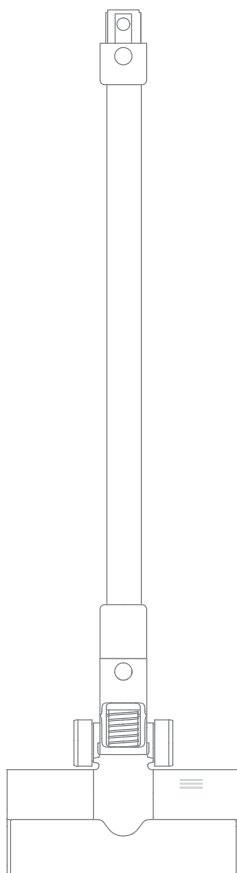
Установка аксессуаров



Вставьте до щелчка



Вставьте до щелчка



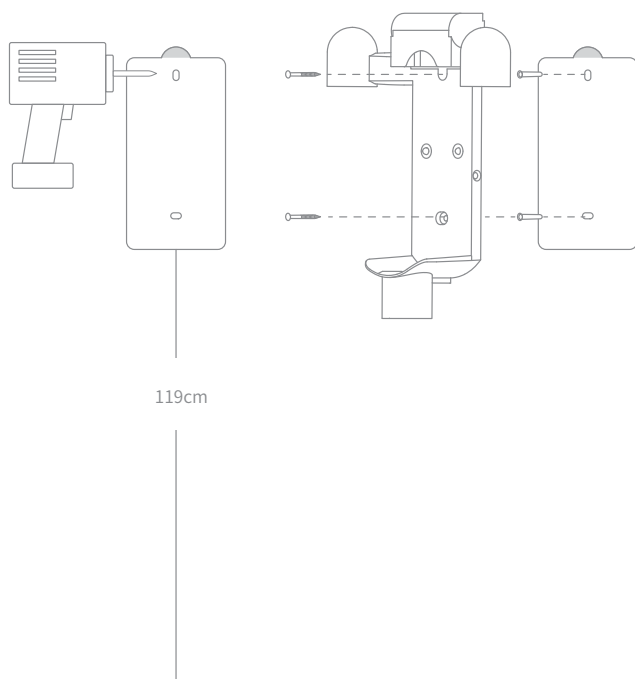
Инструкция по установке и сборке

Установка подставки для зарядки и хранения "2 в 1"

Подставка для зарядки и хранения "2 в 1" — это дополнительный аксессуар, который может быть установлен по необходимости.

Примечание. Подставку для зарядки и хранения "2 в 1" следует устанавливать в прохладном и сухом месте рядом с электрической розеткой. Перед установкой убедитесь, что непосредственно рядом с местом установки подставки отсутствуют провода и трубки.

1. Наклейте стикер места фиксации на стене параллельно полу на расстоянии не менее 119 см от нижнего края стикера до пола.
2. При помощи перфоратора со сверлом 8 мм просверлите отверстия согласно отметка на стикере и вставьте дюбель в каждое отверстие.
3. Соедините монтажные отверстия на подставке для зарядки и хранения "2 в 1" с отверстиями в стене, а затем прикрутите подставку к стене с помощью прилагающихся винтов.



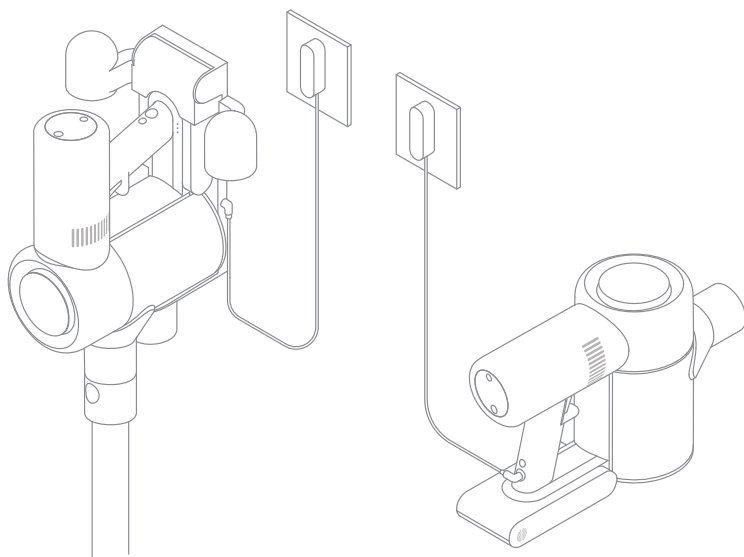
Рекомендуемая высота установки: более 119 см от этикетки до поверхности пола.

Зарядка

Перед первым использованием зарядите пылесос до полной зарядки.

Примечание.

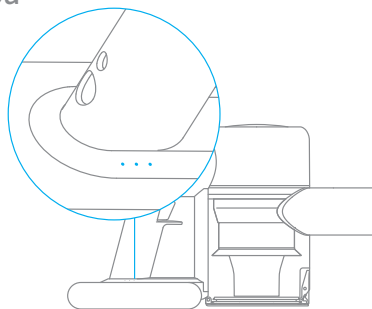
- Не используйте пылесос во время зарядки.
- Первая зарядка займет около 4 часов. После безостановочной уборки в режиме Турбо аккумулятор может сильно нагреться, поэтому пылесосу может потребоваться больше времени на подзарядку. Рекомендуется остудить робот в течение 30 минут и затем начать подзарядку.



Индикатор состояния аккумулятора

☀ Мигание ○ Вкл ● Выкл

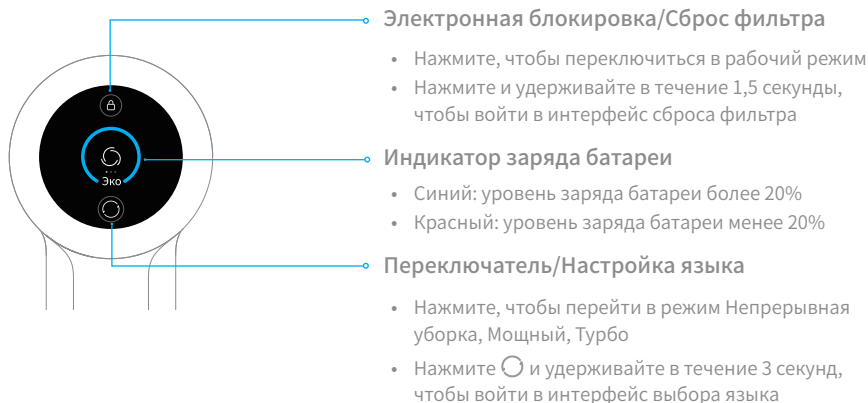
- ☀ ● ● Низкий уровень заряда
- ☀ ● Средний уровень заряда
- ○ ☀ Почти полный уровень заряда
- ○ ○ Полный уровень заряда



Примечание. Через 5 минут после окончания зарядки индикатор погаснет, а пылесос перейдет в энергосберегающий режим.




Правила эксплуатации изделия

Описание функций дисплея



Примечание. В случае неисправности работы пылесоса на дисплее появится информация о проблеме. Внимательно прочитайте указанную информацию и изучите таблицу неисправностей для ее устранения.

Настройка языка

Нажмите  и удерживайте в течение 3 секунд, чтобы войти в интерфейс выбора языка. Нажмите  для прокрутки списка языков. Выберите соответствующий язык, а затем нажмите  и удерживайте в течение 3 секунд, чтобы сохранить настройки.

Примечание. При отсутствии операций в течение более 5 сек дисплей потухнет.

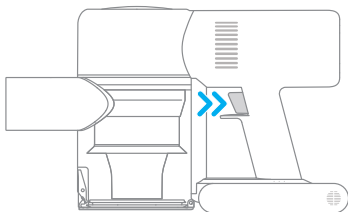
Правила эксплуатации изделия

Рабочие режимы


Доступны 2 режима работы робота-пылесоса, которые могут быть выбраны в зависимости от требований к уборке.

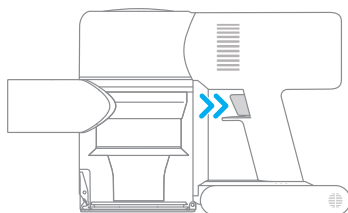
Режим 1: "прерывистая уборка"

Нажмите и удерживайте переключатель пылесоса, чтобы начать работу, и отпустите его, чтобы немедленно остановить.




Режим 2: "непрерывная уборка" (электронная блокировка)

- Нажмите кнопку , чтобы переключиться в режим непрерывной уборки, а затем нажмите переключатель на корпусе, чтобы перевести пылесос в режим непрерывной уборки.
- С помощью функции электронной блокировки вы можете не удерживать кнопку переключения постоянно для защиты от усталости.



Примечание.

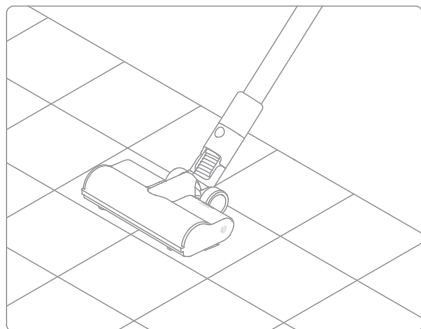
- В этом режиме нажмите кнопку переключения, чтобы приостановить работу или повторно запустить пылесос без изменения режима работы.
- Повторно нажмите на кнопку  электронной блокировки, чтобы выйти из режима непрерывной уборки.

Правила эксплуатации изделия

Сценарии использования аксессуаров

Многофункциональная щетка

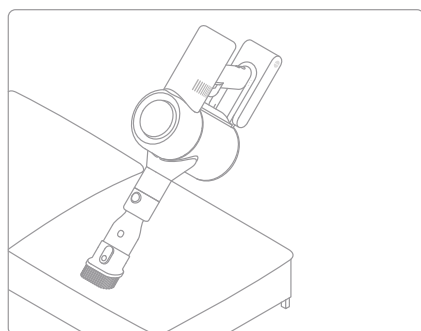
Подходит для уборки ковров с коротким и средним ворсом, а также для очистки кафельного и деревянного напольного покрытия.



Примечание. Мультифункциональная щетка может устанавливаться прямо на пылесос.

Щетка "2 в 1"

используется для очистки штор, клавиатуры, потолочной плитки, салона автомобиля, кофейных столиков и т. д.

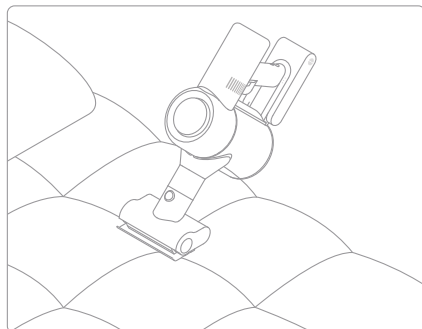


Примечание.

- В случае заклинивания какой-либо вращающейся детали пылесос может автоматически отключиться. Уберите застрявшие посторонние предметы и продолжите уборку.
- В случае перегрева аккумулятора пылесос автоматически отключится. пока температура аккумулятора нормализуется, а затем продолжите уборку.

Электрическая мини-щетка

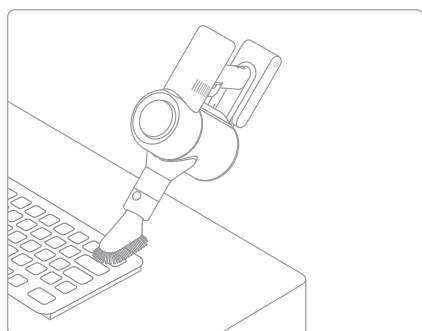
используется для уборки грязи, шерсти животных и других стойких загрязнений на диване, матрасе и других тканевых поверхностях.



Примечание. Не рекомендуется использовать пылесос для уборки поверхностей, на которых могут остаться зацепки и царапины (напр. Шелк).

Мягкая щетка для пыли

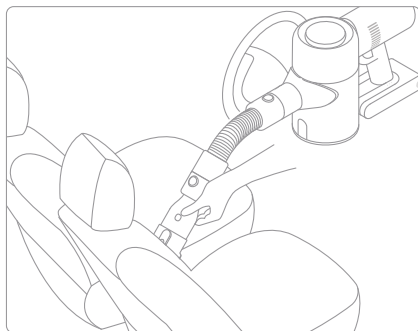
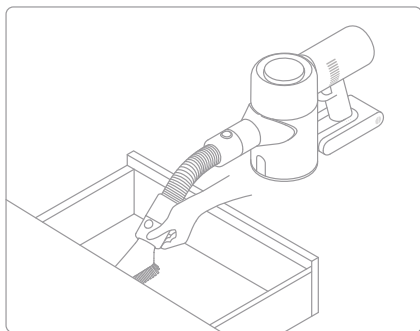
Подходит для очистки жидкокристаллических дисплеев, клавиатур, плафонов, штор, жалюзи и поверхностей других хрупких и ломких предметов.



Правила эксплуатации изделия

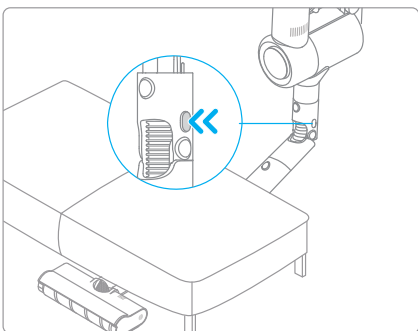
Удлинительная трубка

В сочетании с щеткой «2 в 1» мягкая щетка для пыли подходит для уборки выдвигающихся ящиков, салонов автомобилей, поверхности под диваном и других труднодоступных участков.



Нижний адаптер

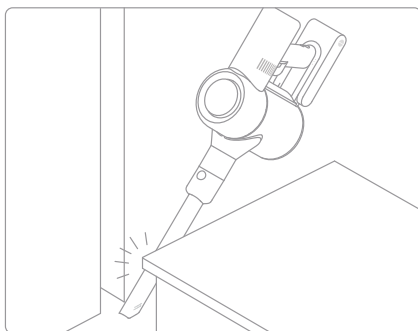
Возможность регулировки длины и направления трубки позволяет проводить уборку под кроватью, диваном и другой низкой мебелью.



Примечание. Рекомендуется использовать низкий адаптер для уборки невысоких предметов мебели. Не рекомендуется оставлять адаптер подключенным к пылесосу при ежедневной уборке.

Щелевая насадка LED

За счет тонкого всасывающего отверстия и освещения LED-подсветки насадка может глубоко проникать в узкие пространства и тщательно удалять пыль и загрязнения.



Примечание. Щелевая насадка LED может использоваться с удлинительным шлангом (шланг не оснащен электропроводимостью, поэтому при подключении насадки функция освещения работать не будет).

Правила эксплуатации изделия

Примечание. В случае неисправности работы пылесоса на дисплее появится информация о проблеме. Внимательно прочитайте указанную информацию и изучите таблицу неисправностей для ее устранения.



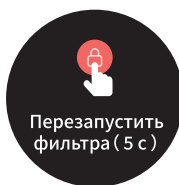
Проверьте контейнер для пыли, удлинитель и многофункциональную щетку на наличие засоров.





Обратитесь к руководству по обслуживанию [«Очистка многофункциональной щетки»] для очистки волос и других загрязнений с роликовой щетки.



Для замены фильтра обратитесь к разделу руководства по техническому обслуживанию [Очистка HEPA-фильтра], чтобы снять фильтр и заменить его.



нажмите и удерживайте  в течение 5 секунд, чтобы открыть экран обратного отсчета сброса фильтра. Когда на экране появляется , это означает, что сброс выполнен успешно.



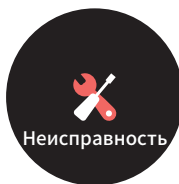
Как можно скорее зарядите аккумулятор.



Как можно скорее зарядите аккумулятор.



Подождите, пока температура аккумулятора нормализуется, а затем продолжите использование.



Обратитесь в отдел послепродажного обслуживания для устранения неполадки.

Меры предосторожности

1. Перед очисткой контейнера убедитесь, что пылесос отключен от розетки, и не нажимайте кнопку "Пуск".
2. Используйте оригинальные запчасти, в противном случае гарантийное обслуживание будет недоступно.
3. Если вы не планируете использовать пылесос в течение длительного периода времени, полностью зарядите его, отключите от розетки и положите на хранение в прохладном месте с низкой влажностью вдали от прямых солнечных лучей. Во избежание избыточной разрядки аккумулятора заряжайте пылесос как минимум раз в три месяца.

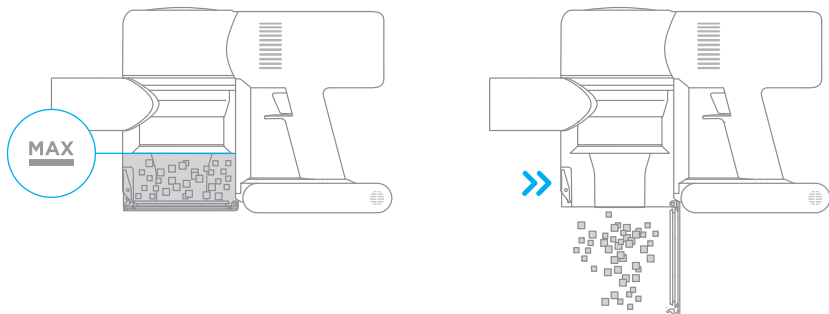
Очистка пылесоса

Протрите пылесос мягкой сухой тряпкой.

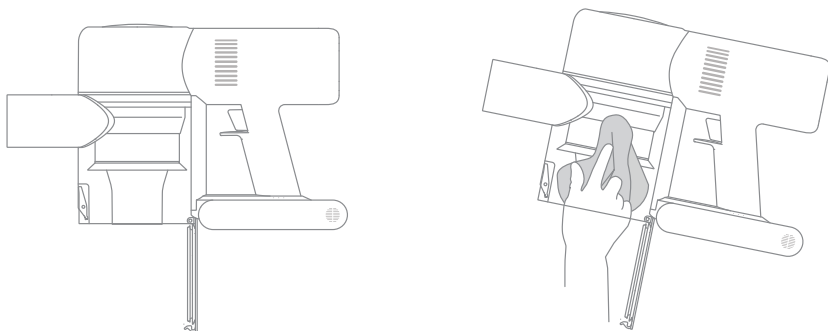
Очистка контейнера для пыли

Если контейнер для пыли заполнен до отметки "MAX", эффективность работы пылесоса может значительно снизиться. Для оптимальной работы своевременно очищайте контейнер для пыли.

1. Освобождение мусора из контейнера: нажмите кнопку снятия нижней крышки контейнера для пыли в направлении, обозначенном стрелкой, а затем откройте крышку и извлеките содержимое контейнера.



2. Внутренняя очистка контейнера для пыли: используйте сухую тряпку или бумажную салфетку для протирки пыли с внутренних стенок контейнера для пыли.

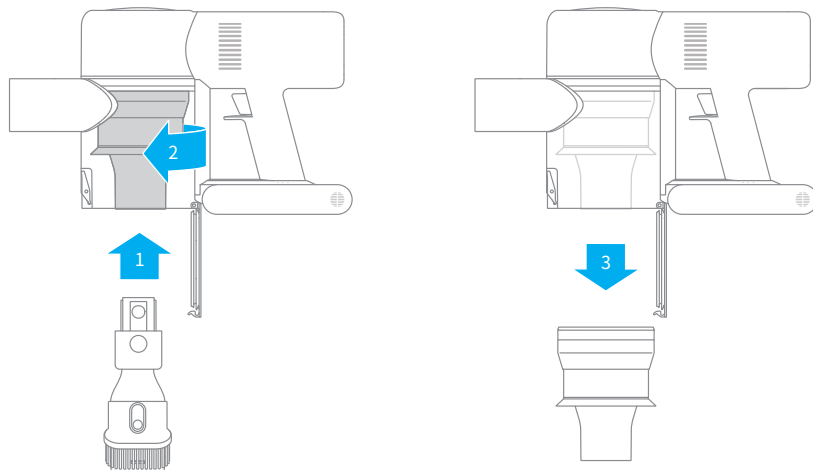


Уход и ремонт

Очистка циклонного блока

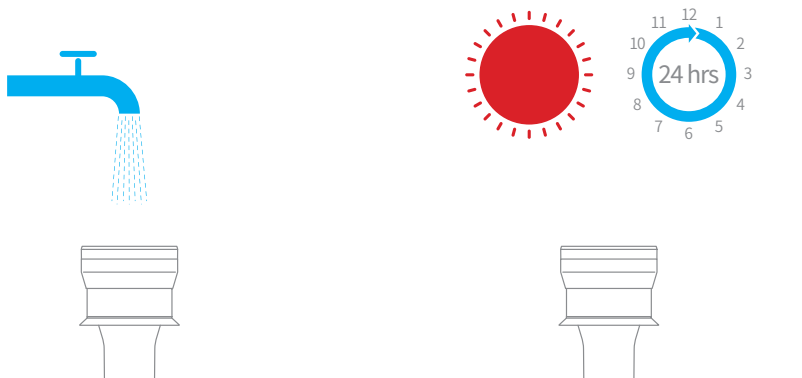
1. Поверните циклонный блок в указанном направлении, чтобы разблокировать, а затем снимите его.

Примечание. Извлеките циклонный сепаратор из отверстия с помощью щетки «2 в 1».



2. Тщательно промойте циклонный сепаратор и просушите до полной сухости.

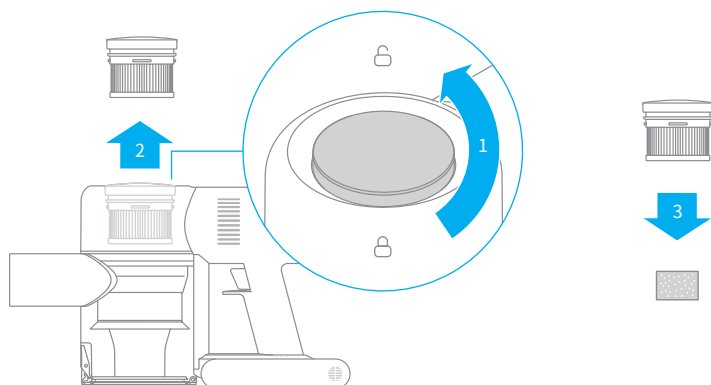
Примечание. Полностью просушите деталь, прежде чем устанавливать ее на место (минимум 24 часа).



Очистка фильтра HEPA

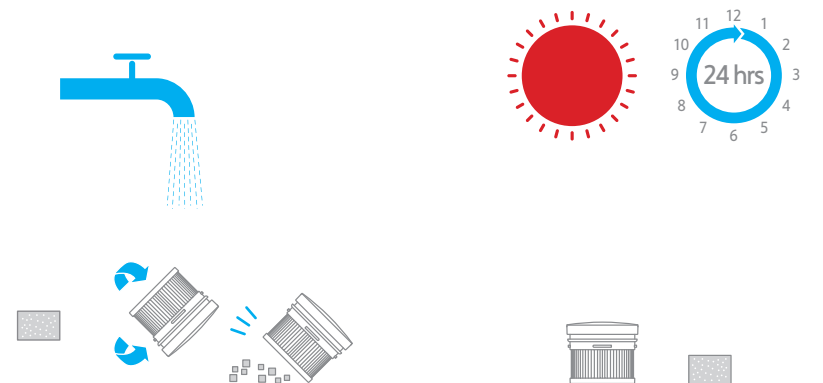
1. Поместите пылесос на безопасную, ровную поверхность, затем поверните крышку блока HEPA-фильтра в указанном направлении и снимите его.

Примечание. Перед очисткой фильтра HEPA не забудьте извлечь губку.



2. Промойте фильтр HEPA и губку чистой водой. Во время мытья фильтра поверните его на 360 ° и несколько раз слегка постучите о раковину, чтобы убедиться, что все загрязнения полностью удалены. Просушите фильтр HEPA и губку до полной сухости.

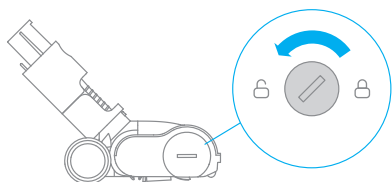
Примечание. Полностью просушите деталь, прежде чем устанавливать ее на место (минимум 24 часа).



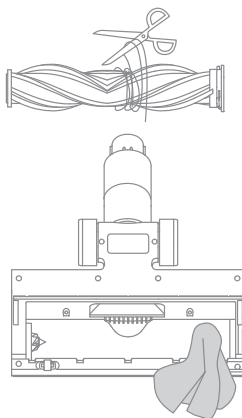
Уход и ремонт

Очистка multifunctional бритвы.

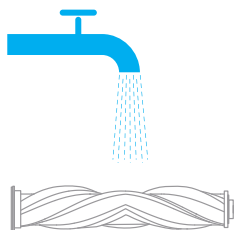
1. Поверните замок против часовой стрелки до упора, как показано на рисунке, а затем извлеките роликовую щетку из паза.



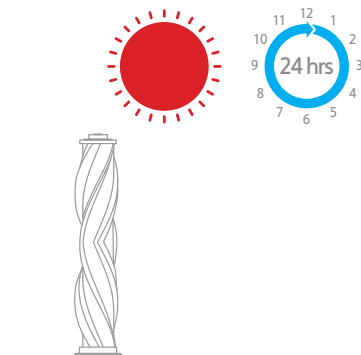
2. Вырежьте волосы и другие волосистые предметы, запутавшиеся в роликовой щетке, с помощью ножниц и выбросьте. Удалите пыль с отверстия и прозрачной крышки с помощью сухой тряпки или бумажного полотенца, а затем просушите и установите на место.



3. При наличии загрязнений промойте головку щетки чистой водой до полной очистки.



4. После промывки тщательно высушите роликовую щетку в вертикальном положении в хорошо проветриваемом месте как минимум в течение 24 часов.



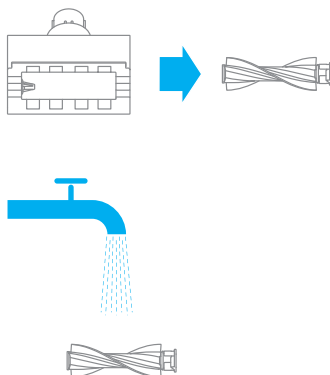
Очистка электрической мини-щетки

1. С помощью монетки поверните замок против часовой стрелки до щелчка.

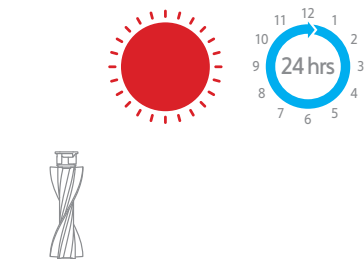
Примечание. Рекомендуется проводить очистку детали после каждого применения.



2. После разблокировки снимите роликовую насадку с щетки, а затем промойте и прочистите.



3. После промывки тщательно высушите роликовую щетку в вертикальном положении в хорошо проветриваемом месте как минимум в течение 24 часов.



4. После просушки установите роликовую щетку на место, выполнив все этапы разборки в обратном порядке.



Вопросы и ответы

Если пылесос перестал работать в нормальном режиме, см. таблицу устранения неисправностей ниже.

Неисправность	Возможная причина	Решение
Пылесос не работает.	Пылесос разрядился или недостаточный заряд аккумулятора.	Полностью зарядите пылесос, а затем продолжите использование.
	В результате засорения автоматически включился режим защиты от перегрева.	Подождите, пока пылесос остынет, а затем заново включите его.
	Отверстие для всасывания или воздушное отверстие засорилось.	Очистите отверстие для всасывания или воздушное отверстие от загрязнений.
Сила всасывания снизилась.	Заполнен контейнер для пыли и/или засорен фильтр.	Очистите контейнер для пыли и очистите блок фильтра HEPA.
	Аксессуар засорился.	Очистите аксессуар от загрязнений.
Посторонние шумы в двигателе.	Основное отверстие для всасывания или удлинитель засорились.	Очистите основное отверстие для всасывания или удлинитель от загрязнений.
После включения пылесоса первый индикатор горит красным.	Отсек аккумулятора поврежден.	Обратитесь в отдел послепродажного обслуживания для устранения неполадки.
Во время зарядки пылесоса первый индикатор мигает красным.	Используется несовместимое зарядное устройство.	Используйте только оригинальное зарядное устройство для зарядки пылесоса.
Во время зарядки пылесоса индикатор заряда не горит.	Зарядное устройство не подключено к пылесосу.	Убедитесь, что зарядное устройство подключено правильно.
	Аккумулятор полностью заряжен и перешел в спящий режим.	Пылесос готов к использованию.
	Если после устранения обоих указанных выше ситуаций проблема по-прежнему не устранена,	Обратитесь в отдел послепродажного обслуживания компании для проведения ремонта.
Медленная зарядка аккумулятора.	Слишком низкая или слишком высокая температура аккумулятора.	Подождите, пока температура аккумулятора нормализуется, а затем продолжите использование.

Технические характеристики

Вакуумный пылесос			
Модель	VVT1	Время зарядки	Около 4 ч
Напряжение при зарядке	30 V ===	Номинальное напряжение	25,2 V ===
Номинальная мощность	550 W	Расчетная емкость	3000 mAh
Многофункциональная щетка		Электрическая мини-щетка	
Модель	AVB9	Модель	DM002
Номинальная мощность	40 W	Номинальная мощность	20 W

Данное устройство содержит аккумуляторы, которые должны заменять только квалифицированные специалисты или специалисты сервисного отдела.

Данное устройство содержит несъемные аккумуляторы.

Информация об утилизации и переработке отходов электрического и электронного оборудования



Все изделия, обозначенные символом раздельного сбора отработанного электрического и электронного оборудования (WEEE, директива 2012/19/EU), следует утилизировать отдельно от несортируемых бытовых отходов. С целью охраны здоровья и защиты окружающей среды такое оборудование необходимо сдавать на переработку в специальные пункты приема электрического и электронного оборудования, определенные правительством или местными органами власти. Правильная утилизация и переработка помогут предотвратить возможные негативные последствия для окружающей среды и здоровья человека. Чтобы узнать, где находятся такие пункты сбора и как они работают, обратитесь в компанию, занимающуюся установкой оборудования, или в местные органы власти.

لتجنب الإصابات المختلفة مثل الصدمات الكهربائية والحرق الناجم عن الاستخدام غير السليم، يرجى قراءة دليل التعليمات بعناية قبل الاستخدام والاحتفاظ به بشكل صحيح.

تحذير

يمنع استخدام هذا المنتج من قبل الأشخاص ذوي الإعاقات الجسدية أو الحسية أو الذهنية، والأشخاص الذين ليس لديهم الخبرة والمعرفة الكافية (بما في ذلك الأطفال)، ما لم يكن هناك إشراف أو توجيه من شخص ذو كفاءة للتأكد من أنه يمكنهم استخدام هذا المنتج بأمان.

يمنع الأطفال من استخدام المنتج أو تشغيله، وعند استخدام هذا المنتج بمحيط الأطفال من الضروري الانتباه إليه والمراقبة عن كثب، ومنع الأطفال من تنظيف المنتج أو صيانته.

يحظر استخدام الجهاز في الهواء الطلق أو على الأسطح الرطبة بل ينصح باستخدامه على الأسطح الجافة في الداخل، لا تلمس القابس أو أي جزء من الجهاز بيد مبللة.

لمنع حدوث حريق أو انفجار أو إصابة، يرجى التحقق مما إذا كانت بطارية الليثيوم والشاحن تالفاً قبل الاستخدام، ويحظر استخدام المكنسة الكهربائية في حالة تلف بطارية الليثيوم أو الشاحن.

كل ما يخص المكنسة مثل فرشاة الاستعمال المتعدد، والفرش الكهربائية صغيرة، والبطاريات، وقضبان التوصيل المعدنية، ورووس شفط المضيفة ذات فتحة ضيقة، ورووس تحويل سفلية، وجهاز المكنسة الرئيسي كلها أجزاء كهربائية، يرجى عدم غمرها في الماء أو سوائل أخرى للتنظيف؛ بعد التنظيف اليومي، يرجى التأكد من أن جميع فلترات الجهاز جاف تماماً.

عند تنظيف رأس فرشاة الاستعمال المتعدد والفرشاة الكهربائية الصغيرة، يجب أولاً إيقاف تشغيل الجهاز لمنع رأس الفرشاة المتحرك من الحاق الأذى بالمستخدم، يمنع استخدام المنتج في حال عدم تركيب برميل الغبار والفلتر وفرشاة الاستعمال المتعدد.

استخدم الشاحن الأصلي فقط، ولا تستخدم محاولات غير رسمية، خلاف ذلك قد يؤدي إلى اشتعال النيران في بطارية الليثيوم.

لا تستخدم المنتج لامتناس الماء والبنزين والسوائل الأخرى القابلة للاشتعال والانفجار، ولا تستنشق المحاليل السامة، مثل مبيض الكلور أو الأمونيا أو منظفات الصرف الصحي أو السوائل الأخرى.

يحظر استخدام المكنسة الكهربائية لتنظيف الجير والأسمنت ومسحوق الجبس ورماد الموقد والرماد وكميات كبيرة من الطحين ومسحوق الكربون وما إلى ذلك، ويحظر استنشاق الدخان أو المواد المحترقة مثل الفحم أو أعقاب السجائر أو أعواد الثقاب.

التحقق من المنطقة المراد تنظيفها قبل الاستخدام ضروري جداً، لتجنب وجود قطعاً كبيرة من الورق أو كرات ورقية أو قطعة قماش بلاستيكية أو أشياء حادة (مثل الزجاج والمسامير والبراغي والعملات المعدنية، إلخ)، بالإضافة إلى الأشياء التي يزيد قطرها عن قطر الفش، يرجى استبعادها مسبقاً لتجنب انسداد الفوهة والتأثير على الاستخدام العادي للمنتج.

حافظ على تدفق الهواء وتحرن أجزاء الجهاز بعد ا عن الشعر ومالبس فضفاضة والأصابع وأجزاء أخرى من الجسم، وال توجه الموصلات المعدنية أو غرها من الملحقات نحو عنن أو أذنن أو ف فمن.

يمنع وضع أي مادة على الفوهة. يحظر استخدام المكنسة الكهربائية في حالة انسداد أي منفذ شفط، حيث قد يؤدي الغبار أو الصوف القطني أو الشعر أو أي عناصر أخرى إلى تقليل تدفق الهواء، يرجى تنظيفها في الوقت المناسب.

تجنب وضع المكنسة الكهربائية على أسطح غير مستقرة مثل الكراسي وطاولات الطعام وما إلى ذلك، لمنع تلف المكنسة الكهربائية أو إصابة المستخدم عند السقوط. في حال سقوط المكنسة الكهربائية أو تلفها أو بها عيوب أخرى، يرجى الاتصال بجهة الإصلاح الرسمية المعتمدة. لا تقم بإصلاحها وتفكيكها بنفسك.

يرجى شحن البطارية بدقة وفقاً للإرشادات الواردة في الدليل، فقد يؤدي الشحن غير الصحيح خارج نطاق درجة الحرارة المحدد إلى تلف البطارية.

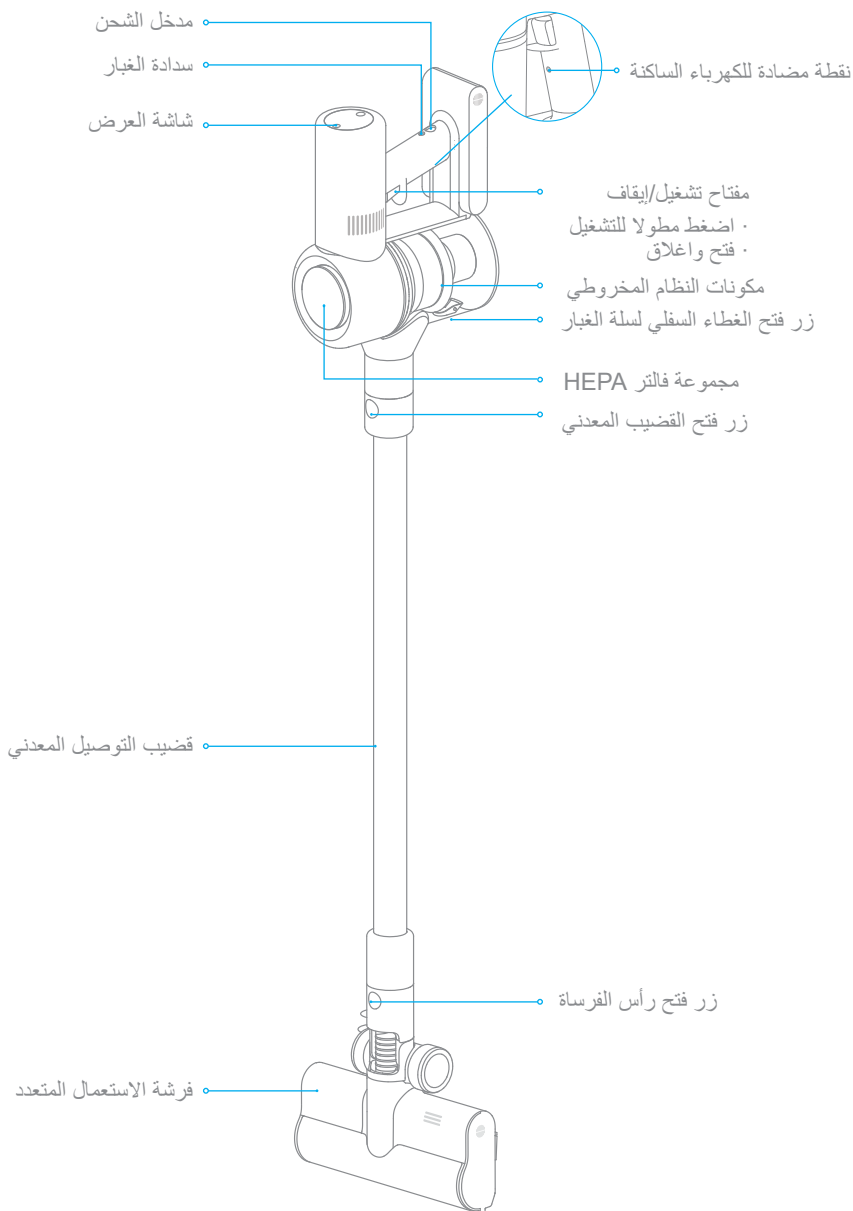
البطارية غير كافية، يرجى الشحن في الوقت المناسب لبدء التنظيف المنتظم.

يرجى فصل الجهاز من مصدر الكهرباء عند عدم الاستخدام لفترة طويلة، وقيل الصيانة أو الإصلاح

يرجى التركيز والانتباه عند الاستخدام وتنظيف السلالم خاصة
يرجى عدم تركيب أو شحن أو استخدام هذا المنتج في الهواء الطلق، وفي الحمام أو حول حوض السباحة.
تحذير من مخاطر الحريق: لا تضع أي منتجات عطرية على فلتر هذا المنتج، ومن المعروف أن المواد الكيميائية
الموجودة في هذه المنتجات قابلة للاشتعال ويمكن أن تتسبب في اشتعال المنتج.
هذا المنتج مصمم للاستخدام المنزلي فقط.

نظرة عامة حول المنتج

اسم الاجزاء



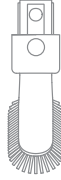
قائمة الملحقات



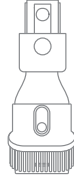
محول الطاقة



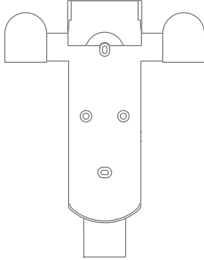
أنبوب ناعم ممتد



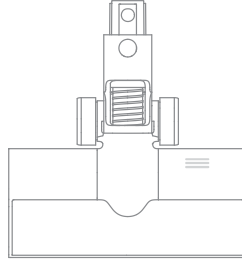
فرشة تنظيف الغبار الناعمة



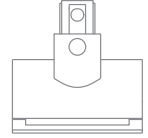
فوهة فرشاة 2 في 1



حامل شحن وتخزين 2 في 1 (يتضمن عدد 2 برغي وعدد 2 مقبس حائط وملصق نموذج التركيب)



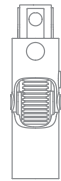
فرشة الاستعمال المتعدد



فرشاة كهربائية صغيرة



شق فوهة

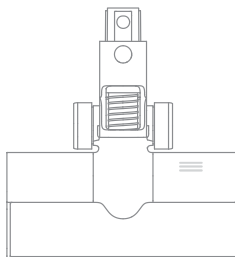


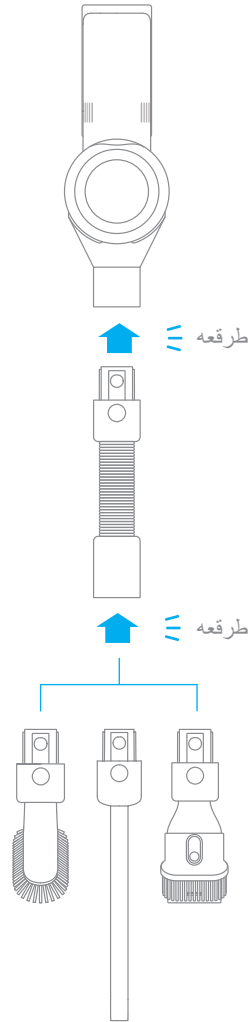
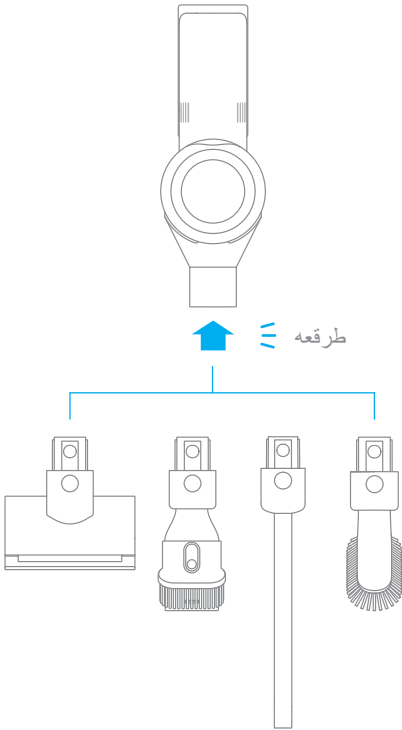
رأس التبديل السفلي

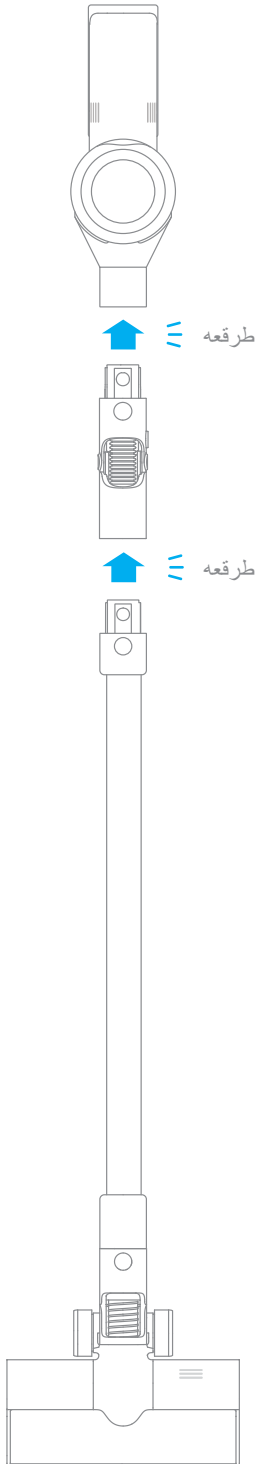
فضيب التوصيل المعدني

نصيحة: الرسوم التوضيحية في هذا الدليل هي للإشارة فقط، يرجى الرجوع للمظهر الفعلي.

تركيب الجهاز الرئيسي





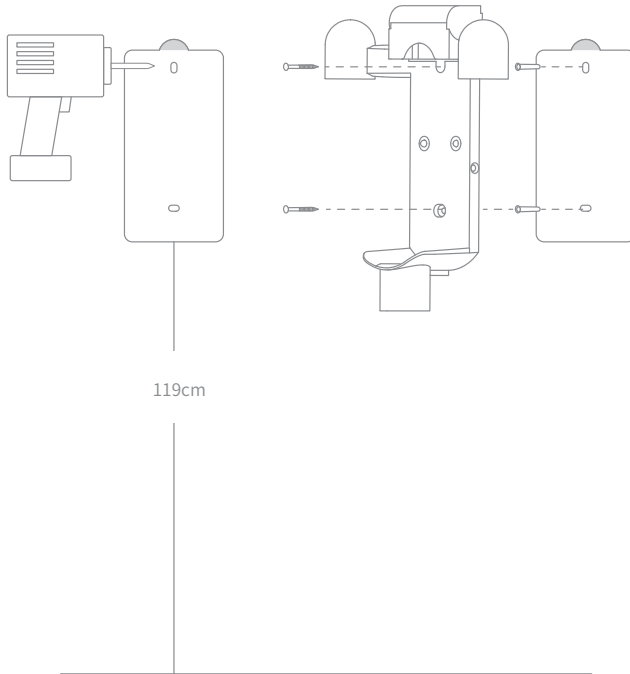


تركيب حامل الشحن والتخزين 2 في 1

الحامل هو جزء اختياري، يمكن اختيار تركيبه وفقاً للوضع الفعلي.

نصيحة: يجب تثبيت حامل التخزين في مكان بارد وجاف مع وجود مصدر طاقة قريب، والتأكد من عدم وجود مرافق مثل الأسلاك أو الأنابيب خلف منطقة التثبيت مباشرة.

1. ضع ملصق التثبيت على الحائط واجعله موازياً للأرض، ويوصى بأن يكون ارتفاع الملصق عن الأرض بمسافة لا تقل عن 119 سم.
2. استخدم أداة كهربائية مع متقاب 8 مم لحفر الثقوب وفقاً لثقوب لبتثبيت في ملصقات التثبيت، وضع أنبوب التوسعة في الفتحة المحفورة.
3. قم بمحاذاة فتحة التثبيت الخاصة بدعامة التخزين بفتحة التثبيت في ملصقات التثبيت، وقم بتثبيت حامل التخزين على الحائط باستخدام البراغي.

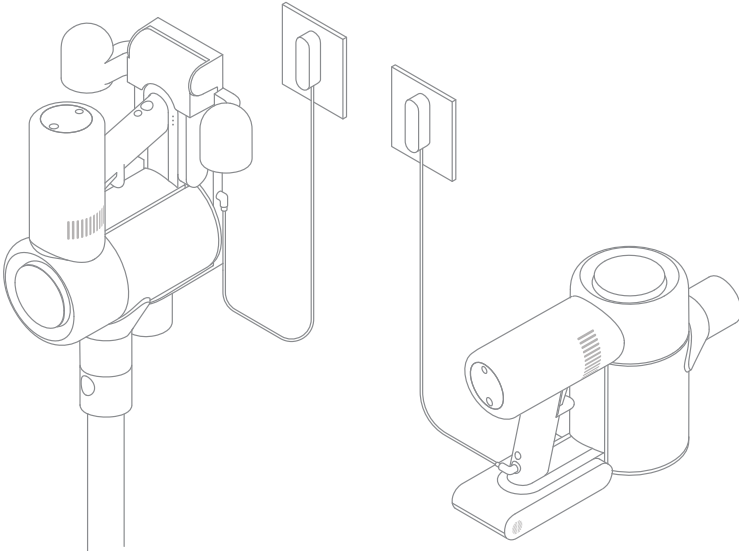


ارتفاع التركيب الذي ينصح به: ارتفاع 119 سم عن سطح الأرض.

يرجى شحن البطارية بالكامل عند الاستخدام الاولي.

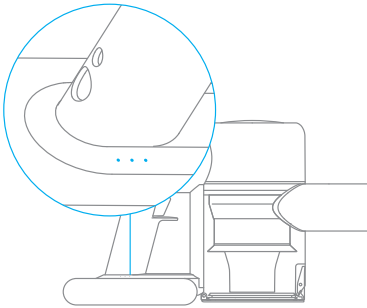
نصيحة:

- لا يمكن استخدام المكنسة أثناء الشحن.
- ترتفع درجة حرارة البطارية بعد الاستخدام المستمر للجبر الفائق، في هذا الوقت إلى زيادة وقت الشحن عند شحن البطارية لذلك يوصى بترك الجهاز الرئيسي يبرد لمدة 30 دقيقة قبل الشحن. مدة الشحن 4 ساعات تقريبا.



مؤشر حالة LED للبطارية

- مغلق
- مضيء
- ☀ وميض
- ● ● الطاقة منخفضة
- ● ● الطاقة متوسطة
- ☀ ○ ○ ممتلئة تقريبا
- ○ ○ الطاقة ممتلئة



نصيحة: بمجرد أن يتم شحن المكنسة بالكامل، سيتم إيقاف تشغيل المؤشر بعد 5 دقائق، وسوف تدخل المكنسة في وضع توفير الطاقة.

مقدمة عن وظيفة شاشة العرض

قفل إلكتروني/إعادة تعيين الفلتر

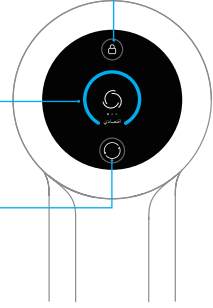
- انقر لتبديل وضع العمل
- اضغط قصير لمدة 1.5 ثوانٍ للدخول لواجهة إعادة تعيين الفلتر

حلقة مراقبة الطاقة

- أزرق: مستوى الطاقة أكبر من 20%
- أحمر: مستوى الطاقة أقل من 20%




تبديل الجير/إعدادات اللغة

- انقر للتبديل بين الوضع الاقتصادي، الوضع المتوسط، الوضع توربو
- اضغط طويلًا على مفتاح  لمدة 3 ثوانٍ للدخول إلى قائمة اللغات



نصيحة: عندما تعمل المكثفة الكهربائية بشكل غير طبيعي، ستعرض الشاشة معلومات غير طبيعية، يرجى قراءة محتوى الشاشة ودمج جدول استكشاف الأخطاء وإصلاحها للتعامل مع الموقف غير الطبيعي.

إعدادات اللغة

اضغط طويلًا على مفتاح  لمدة 3 ثوانٍ للدخول إلى قائمة اللغات، واضغط قصيرًا على مفتاح  للتمرير لتحديد اللغات، ثم اضغط طويلًا على مفتاح  لمدة 3 ثوانٍ لتأكيد اللغة الحالية.

نصيحة: تغلق الشاشة في حال عدم التشغيل لأكثر من 5 ثوانٍ.

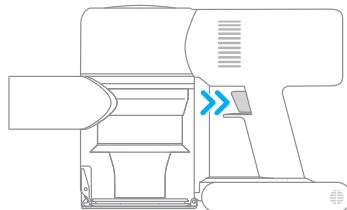
استخدام المنتج

وضع التنظيف

هناك وضعان لعمل مكنسة التنظيف الكهربائية، والتي يمكن اختيارها وفقاً لاحتياجاتك الخاصة.

الطريقة الأولى: وضع العمل المتقطع

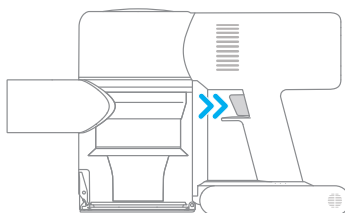
اضغط مطولاً على مفتاح الجهاز الرئيسي لبدء العمل، وعند الإيقاف أعد المفتاح لوضعه الطبيعي.



الطريقة الثانية: وضع العمل المستمر (قفل إلكتروني)

انقر فوق مفتاح  للتبديل إلى وضع العمل المستمر واضغط قصيراً على مفتاح الجهاز الرئيسي، وستستمر الجهاز الرئيسي في العمل.

يمكن أن يؤدي استخدام وظيفة القفل الإلكتروني إلى تحرير أصابعك وتجنب إجهاد الإصبع الناجم عن الضغط باستمرار على المفتاح طوال الوقت.



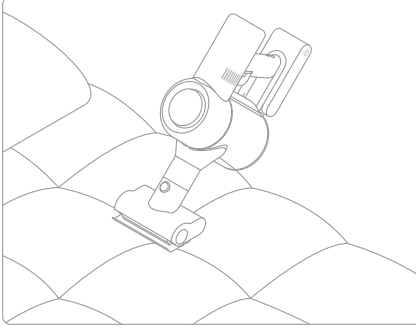
نصيحة:

- في وضع التشغيل هذا، يمكن إيقاف العملية مؤقتاً أو إعادة تشغيلها بالضغط لفترة قصيرة على المفتاح حيث سيبقى تشغيل الجهاز الرئيسي على وضعة.
- إذا كنت بحاجة إلى الخروج من وضع العمل المستمر، فانقر فوق مفتاح مرة أخرى.

مجال استخدام الملحقات

فرشاة كهربائية صغيرة

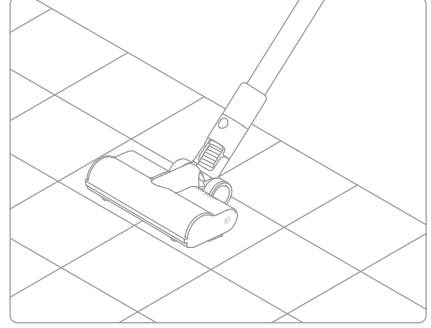
لتنظيف الأوساخ، وشعر الحيوانات الأليفة، وغيرها من الحطام الصعب من الأرائك، والفرش، والأسطح النسيجية الأخرى.



ملاحظة: لا يُنصح باستخدامها على سطح مواد سهلة التمزق وعرضة للخدش (مثل الحرير، إلخ).

فرشاة الاستعمال المتعدد

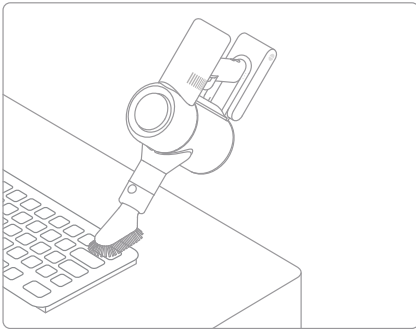
مناسب لتنظيف السجاد ذو الشعر المتوسط والقصير، وكذلك يمكن استخدامها لتنظيف أرضيات البلاط والأرضيات الخشبية.



ملاحظة: يمكن تثبيت فرشاة الاستعمال المتعدد مباشرة على الجهاز الرئيسي والإستخدام.

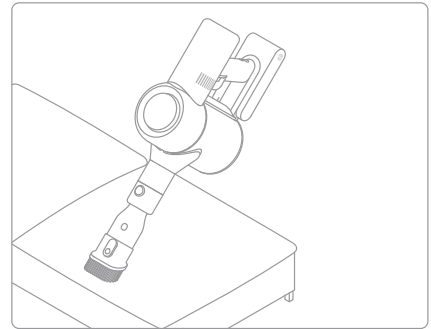
فرشاة تنظيف الغبار الناعمة

تناسب تنظيف أسطح المنتجات الهشة مثل شاشات LCD ولوحات المفاتيح وأغطية المصابيح والستائر والنوافذ وما إلى ذلك.



فوهة فرشاة 2 في 1

مناسبة لتنظيف غبار اسطح الستائر ولوحات المفاتيح والأسقف والسيارات وطاولات القهوة إلخ.

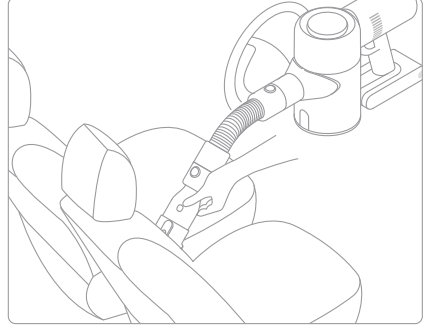
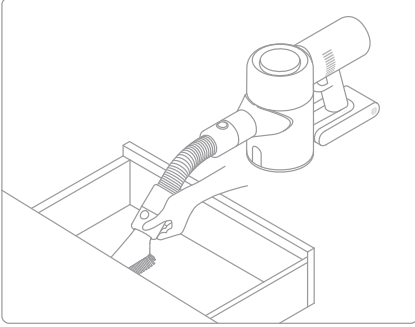


ملاحظة:

- قد يتوقف المنتج تلقائياً عند توقف أي جزء دوار، بعد إزالة جميع الأجسام الغريبة العالقة، يمكنك الاستمرار في استخدامه.
- عند ارتفاع درجة حرارة المحرك، ستتوقف المكثفة الكهربائية تلقائياً. انتظر حتى تعود درجة حرارة البطارية إلى وضعها الطبيعي، ثم استأنف الاستخدام.

أنبوب ناعم ممتدد

تشبه إلى حد كبير فرشاة تنظيف الغبار الناعمة أو فوهة فرشاة 2 في 1، وهي مناسبة لتنظيف الزوايا التي يصعب الوصول إليها مثل الأدراج والديكور الداخلي للسيارة وأسفل الأريكات.

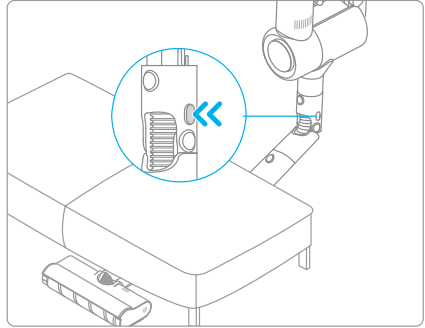
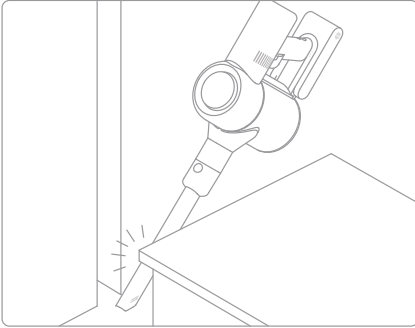


رأس تنظيف الفجوات الضيقة المضي

يبعث أنبوب ضوء LED الضوء في جميع أنحاء المنطقة، ويمكن أن تتعمق فتحة الأنبوب التحيف في الفجوات الضيقة، وتضيء وتمتص الغبار بدقة في المساحة المزدهمة.

رأس التبديل السفلي

تصل للمناطق السفلية ببقرة واحدة ، لتلبية تنظيف الجزء السفلي من الأثاث المنخفض مثل السريرات والأريكات.



نصيحة: يمكن استخدام رأس الشفط المضي الضيق خرطوم التمديد، (لا يحتوي خرطوم التمديد على وظيفة توصيل، ولا يمكن لرأس الشفط المضي الضيق أن ينبعث الضوء عند التوصيل).

نصيحة: يوصى باستخدام رأس التحويل السفلي عند تنظيف الأثاث المنخفض، لا ينصح دائماً بالاتصال بالجهاز عند تنظيف الأرض يومياً.

عندما تعمل المكنسة الكهربائية بشكل غير طبيعي، ستعرض الشاشة معلومات غير طبيعية، يرجى قراءة محتوى الشاشة ودمج جدول استكشاف الأخطاء وإصلاحها للتعامل مع الموقف غير الطبيعي.



تحقق من انسداد برميل
الغيار وقصيب التوصيل
المعدني وفوهة فرشاة
الاستعمال المتعدد.



راجع قسم [تنظيف فوهة
فرشاة الاستعمال المتعدد]
للصيانة، وتنظيف مواد
الألياف والشعر المتشابك
على فرشاة التنظيف
الدوارة.



استبدال الفلتر: راجع دليل
قسم الصيانة [تنظيف الفلتر
HEPA] لإزالة الفلتر
واستبداله.



اضغط على [ت] مع
الاستمرار لمدة 5 ثانية
للدخول إلى شاشة العد
التنازلي لإعادة تعيين
الفلتر. عندما يظهر [ت] على
الشاشة، فإنه يشير إلى
نجاح إعادة التعيين.



أعد شحنها في وقتٍ قريب.



أعد شحنها في وقتٍ قريب.



يرجى الانتظار حتى تصبح
درجة حرارة البطارية
طبيعية والاستمرار في
استخدامها.



يرجى الاتصال بخدمة ما
بعد البيع للإصلاح.

احتياطات الصيانة

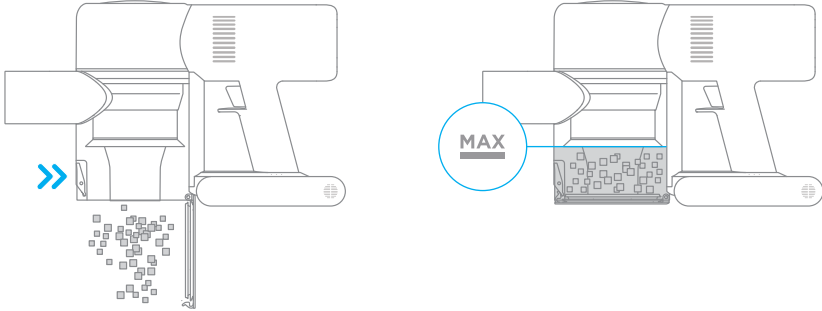
1. قبل تفريغ السلة، تأكد من فصل المكنسة الكهربائية عن مصدر الطاقة ولا تض.
2. استخدم دائمًا قطع الغيار الأصلية لإبقاء الضمان ساريًا.
3. إذا لن يتم استخدام المكنسة الكهربائية لفترة طويلة، قم بشحنها بالكامل وفصلها عن الطاقة ثم تخزينها في بيئة باردة منخفضة الرطوبة بعيدًا عن أشعة الشمس المباشرة. لتجنب شحن البطارية المفرط، أعد شحن المكنسة الكهربائية مرة واحدة على الأقل كل ثلاثة أشهر.

تنظيف الجهاز الرئيسي

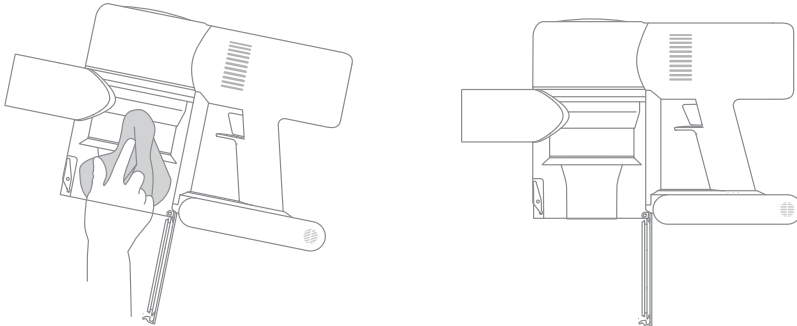
امسح الجهاز الرئيسي باستخدام قطعة قماش جافة وناعمة.

نظف سلة جمع الغبار

- ستتخضع قدرة تنظيف المكنسة الكهربائية عند امتلاء سلة جمع الغبار إلى علامة الحد الأقصى "MAX". لاستعادة القدرة على الأداء، قم بتفريغ سلة الغبار في الوقت المناسب.
1. تفريغ القمامة: يرجى الضغط على زر فتح الغطاء السفلي لبرميل الغبار وإخراج الغبار من برميل الغبار.



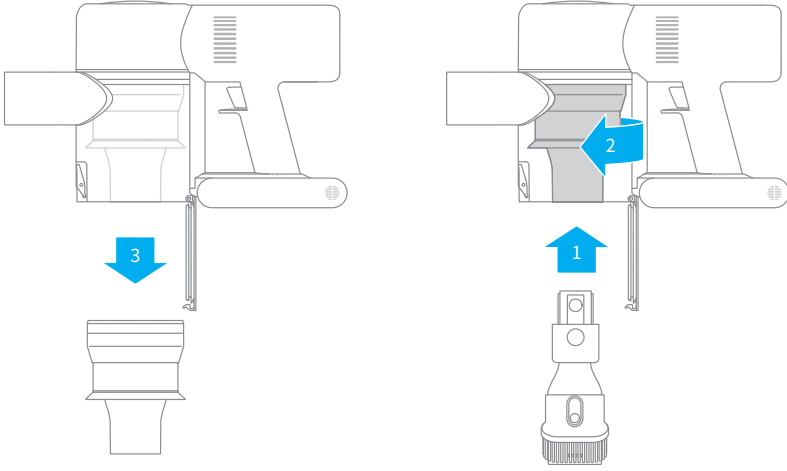
2. تنظيف الجدار الداخلي لبرميل تجميع الغبار: امسح الغبار الموجود على الجدار الداخلي لبرميل الغبار بقطعة قماش جافة أو منشفة ورقية.



تنظيف مجموعة الفرآزة المخروطية

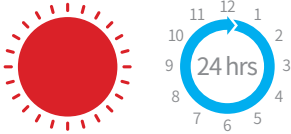
1. قم بتدوير مجموعة الفرآزة المخروطية في الاتجاه الموضح لفتحها، ثم اخلعها.

نصيحة: يمكن استخدام فوهة فرشاة 2 في اجهة لتغطية مكونات نظام الإعصار من أجل الدوران والتفكيك.



2. اشطف مكونات نظام الإعصار جيدا، واتركها تجف تمامًا.

نصيحة: يرجى تجفيفه جيداً قبل إعادة تركيب (مدة لا تقل عن 24 ساعة).

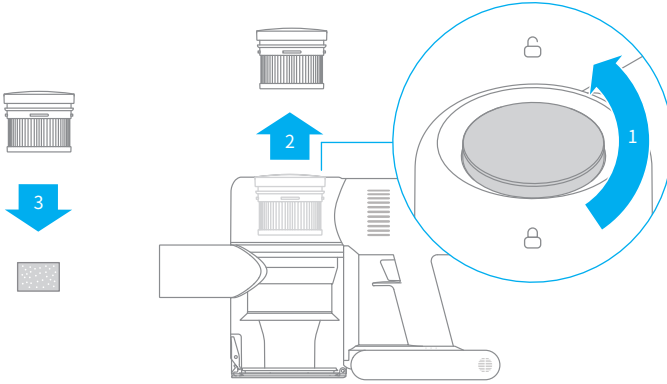


العناية والصيانة

تنظيف مرشح HEPA الداخلي

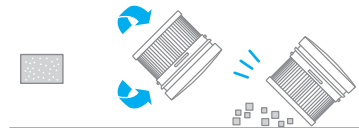
1. ضع المكنسة بشكل آمن على سطح مستو، ثم أدر غطاء مجموعة فلاتر HEPA في الاتجاه المشار إليه ثم اخلع مجموعة فلتر HEPA.

نصيحة: يرجى إزالة الداخلي المدمج قبل تنظيف الفلتر.



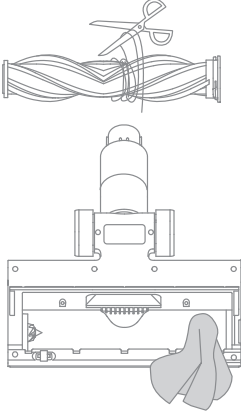
2. اشطف الفلتر والاسفنج بالماء النظيف جيدا، عند الشطف قم بتدوير الفلتر 360 درجة واضغطه على الحوض عدة مرات للتأكد من إزالة الأوساخ. اترك الفلتر والاسفنج في الهواء حتى يجف تماما.

نصيحة: يرجى تجفيفه جيدا قبل إعادة تركيب (مدة لا تقل عن 24 ساعة).

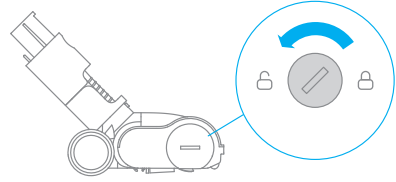


تنظيف فرشاة الاستعمال المتعدد

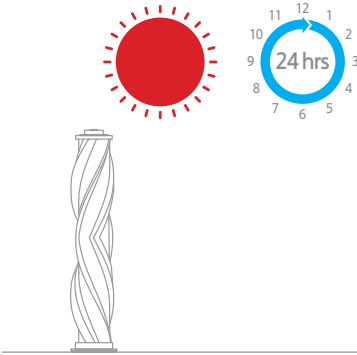
2. استخدم المقص لقطع والتقاط أي شعير أو مخلفات متشابكة حول الفرشاة الدوارة. امسح أي غبار زائد من الفتحة ونظف الغطاء البلاستيك باستخدام قطعة قماش جافة أو منشفة ورقية.



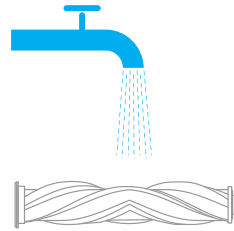
1. قم بتحريك إبزيم القفل عكس عقارب الساعة إلى موضع التوقف كما هو موضح في الصورة، ثم اضغط على الفرشاة لتخرج من فرشاة الأرضية.



4. بعد الغسيل، دع الفرشاة الدوارة تجف جيدًا عن طريق وضعها واقفة في منطقة جيدة التهوية لمدة 24 ساعة على الأقل.



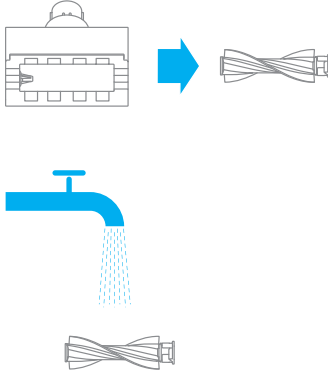
3. عندما تكون متسخة، اشطف رأس الفرشاة بالماء النظيف حتى تصبح نظيفة.



العناية والصيانة

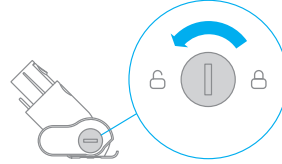
تنظيف الفرشاة الكهربائية الصغيرة

2. بعد فتح الفرشاة الدوارة، اخلعها من الفرشاة الكهربائية الصغيرة، ثم قم بشطف وتنظيف الفرشاة الدوارة.

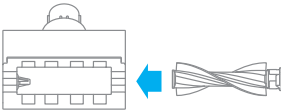


1. استخدم عملة معدنية لتدوير الفلن عكس اتجاه عقارب الساعة حتى تسمع صوت نقرة.

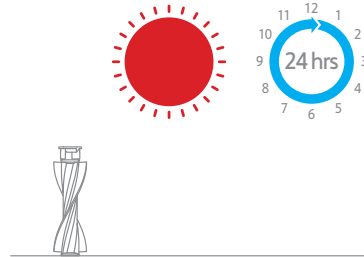
نصيحة: يوصى بالتنظيف بعد كل استخدام.



4. بعد التأكد من جفاف الفرشاة الدوارة تمامًا، قم بتجميعها بترتيب عكسي للتفكيك.



3. بعد الغسيل، دع الفرشاة الدوارة تجف جيدًا عن طريق وضعها واقفة في منطقة جيدة التهوية لمدة 24 ساعة على الأقل.



عندما لا تعمل المكنسة الكهربائية بشكل طبيعي، يرجى الرجوع إلى الجدول أدناه للتعامل مع المشكلة.

أعطال شائعة	السبب المحتمل	الحلول
المكنسة الكهربائية لا تعمل.	بطارية المكنسة فارغة أو منخفضة.	يرجى شحن البطارية بالكامل قبل الاستخدام.
	حماية تلقائية ناتجة عن ارتفاع درجة الحرارة بسبب الانسداد.	تنظيف قناة أو مدخل شفط الغبار وإعادة التشغيل بعد التبريد.
	انسداد قناة أو مدخل شفط الهواء.	تنظيف قناة أو مدخل شفط الغبار.
انخفضت قوة الشفط.	سلة الغبار ممتلئة، الفلتر مليء بالغبار ومسدود.	أفرغ السلة من الغبار ونظف الفلتر.
	انسداد الملحقات.	نظف انسداد الملحقات.
وجود صوت غريب عند تشغيل المحرك.	انسداد قضيب التوصيل المعدني أو مدخل الشفط الرئيسي.	قم بتنظيف العوائق الموجودة في مدخل الشفط الرئيسي وقضيب التوصيل المعدني.
بضئى المؤشر الأول باللون الأحمر عند التشغيل.	البطارية تالفة.	يرجى الاتصال بخدمة ما بعد البيع للإصلاح.
يومض المؤشر الأول باللون الأحمر عند شحن المكنسة الكهربائية.	محول الطاقة لا يتطابق.	يرجى استخدام محول الطاقة الأصلي.

الحلول	السبب المحتمل	أعطال شائعة
تأكد من محول الطاقة موصل بشكل صحيح.	الجهاز الرئيسي لا يتصل جيدا بمحول الطاقة.	لا يضيء مؤشر البطارية أثناء الشحن.
يمكن استخدام المكنسة الكهربائية في الوضع الطبيعي.	البطارية مشحونة بالكامل ودخلت في وضع السكون.	
يرجى الاتصال بخدمة ما بعد البيع للإصلاح.	إذا استمرت المشكلة بعد استبعاد الاحتمالين المذكورين أعلاه،	
يرجى الانتظار حتى تعود درجة حرارة البطارية إلى وضعها الطبيعي قبل الشحن	درجة حرارة البطارية مرتفعة أو منخفضة للغاية.	البطارية تشحن ببطء.

الجهاز الرئيسي			
رقم المنتج	VVT1	مدة الشحن	حوالي 4 ساعات
جهد الشحن	30 V ===	الجهد المقدر	25.2 V ===
الطاقة المقترنة	550 W	السعة الاستيعابية الطبيعية	3000 mAh
فرشاة كهربائية صغيرة		فرشاة الاستعمال المتعدد	
الطراز	DM002	الطراز	AVB9
الطاقة المقترنة	20 W	الطاقة المقترنة	40 W

يحتوي هذا المنتج على بطاريات ال يمكن استبدالها إلى بمعرفة فنيين مؤهلين أو خدمة ما بعد البيع.
يحتوي هذا المنتج على بطاريات غير قابلة للاستبدال.

Instrukcja bezpieczeństwa

Aby zapobiec wypadkom, w tym porażeniu prądem elektrycznym lub pożarowi spowodowanemu niewłaściwym użytkowaniem, przed użyciem należy zachować niniejszą instrukcję i zachować ją do wykorzystania w przyszłości.

Ostrzeżenie

Z tego produktu mogą korzystać dzieci w wieku od 8 lat oraz osoby z deficytami fizycznymi, sensorycznymi, intelektualnymi lub o ograniczonym doświadczeniu lub wiedzą wyłącznie pod nadzorem rodzica lub innej osoby dorosłej, aby zapewnić bezpieczne użytkowanie i uniknąć wszelkich zagrożeń. Pielęgnacja i konserwacja urządzenia nie mogą być wykonywane przez dzieci bez nadzoru osoby dorosłej.

Odkurzacz nie jest zabawką. Dzieci nie powinny bawić się ani obsługiwać tego produktu. Należy zachować ostrożność podczas używania odkurzacza w pobliżu dzieci. Nie pozwalaj dzieciom na czyszczenie lub konserwację odkurzacza, chyba że pod nadzorem rodzica lub osoby dorosłej.

Nie używaj odkurzacza na zewnątrz ani na mokrych powierzchniach. Należy używać odkurzacza tylko na suchych powierzchniach, wewnątrz pomieszczeń. Nie należy dotykać wtyczki ani żadnej części odkurzacza mokrymi rękami.

Aby zmniejszyć ryzyko pożaru, wybuchu lub obrażeń, przed użyciem upewnij się, że bateria litowa i zasilacz są nieuszkodzone. Nie używaj odkurzacza, jeśli bateria litowa lub ładowarka są uszkodzone.

Ssawka wielofunkcyjna, elektryczna mini ssawka, bateria, przedłużenie, dysza szczelinowa z oświetleniem LED, elastyczny adapter i odkurzacz przewodzą prąd i nie powinny być zanurzane w wodzie lub innej cieczy. Po oczyszczeniu, należy upewnić się, że wszystkie filtry są całkowicie osuszone.

Aby zapobiec urazom spowodowanym przez ruchome części, należy wyłączyć odkurzacz przed czyszczeniem ssawki wielofunkcyjnej oraz elektrycznej mini ssawki. Przed ponownym użyciem odkurzacza należy prawidłowo zainstalować ssawkę wielofunkcyjną, pojemnik na kurz i filtr.

Należy używać wyłącznie oryginalnego zasilacza. Nigdy nie używaj nieoryginalnego zasilacza.

Nie należy używać odkurzacza do usuwania łatwopalnych cieczy, takich jak benzyna, wybielacz, amoniak, środki czyszczące do kanalizacji lub inne płyny.

Nie należy używać odkurzacza do usuwania pyłu płyt kartonowo-gipsowych, popiołów kominkowych lub łatwopalnych materiałów, takich jak węgiel, niedopałki papierosów lub zapalki.

Przed użyciem należy sprawdzić obszar, który ma zostać oczyszczony. Aby zapobiec zatkaniu otworów, należy usunąć duże kawałki papieru, papierowe kulki, plastikową szmatkę lub ostre przedmioty, takie jak szkło, gwoździe, śruby, monety itp. i wszelkie obiekty, który są większe niż otwory ssące.

Należy trzymać włosy, luźne ubrania, palce i inne części ciała z dala od otworów ssących i ruchomych części. Nie należy kierować rury odkurzacza lub reszty akcesoriów w stronę oczu lub uszów ani nie wkładać ich do ust.

Nie należy wkładać żadnych przedmiotów do otworów ssących. Nie używać odkurzacza, jeśli jego otwór ssący jest zablokowany.

Nie należy opierać odkurzacza o krzesło, stół lub inną niestabilną powierzchnię, ponieważ może to spowodować uszkodzenie urządzenia lub obrażenia ciała. Jeśli odkurzacz zostanie uszkodzony lub w inny sposób działa nieprawidłowo, skontaktuj się z naszym autoryzowanym działem serwisowym.

Wszystkie instrukcje w instrukcji ładowania akumulatora muszą być ściśle przestrzegane. Ładowanie akumulatora nieprzestrzegając określonego zakresu temperatur może spowodować jego uszkodzenie.

Należy używać wyłącznie akcesoriów i części wymiennych zatwierdzonych przez firmę Dreame.

Należy upewnić się, że odłączono odkurzacza, gdy nie jest on używany przez dłuższy czas, a także przed wykonaniem jakichkolwiek czynności konserwacyjnych lub napraw.

Należy zachować szczególną ostrożność podczas czyszczenia schodów przy użyciu odkurzacza.

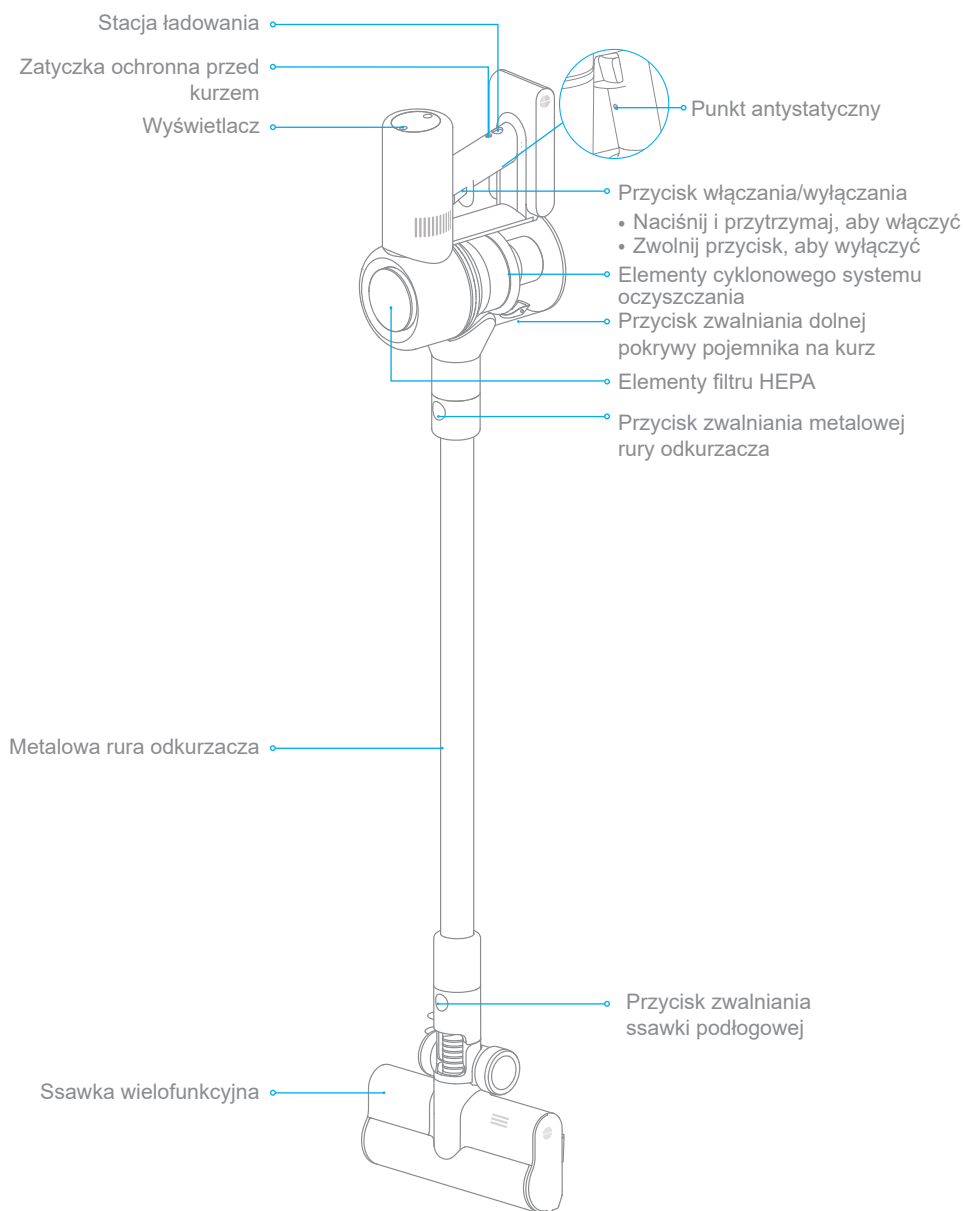
Nie należy montować, ładować ani używać tego urządzenia na zewnątrz, w łazienkach lub wokół basenów.

Ostrzeżenie o zagrożeniu pożarowym: Nie należy aplikować żadnych perfum do filtra odkurzacza. Tego rodzaju produkty zawierają łatwopalne substancje chemiczne, które mogą spowodować zapalenie się odkurzacza.

Ten produkt jest przeznaczony wyłącznie do użytku domowego.

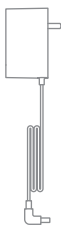
Opis produktu

Nazwy części



Opis produktu

Akcesoria



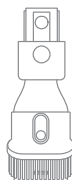
Zasilacz



Przedłużenie



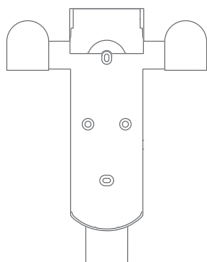
Miękka ssawka do usuwania kurzu



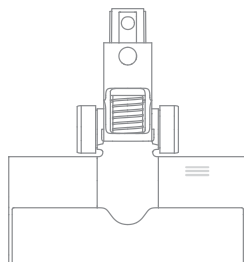
Dysza ze szczotką 2w1



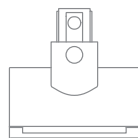
Metalowa rura odkurzacza



Stacja ładowująca 2w1
(Śruby ściennie x2, kołki rozporowe x2, naklejki pozycjonujące x1)



Ssawka wielofunkcyjna



Elektryczna mini ssawka



Dysza szczelinowa z oświetleniem LED

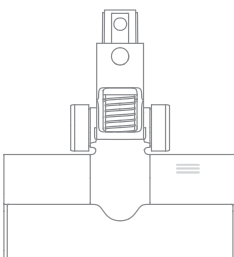
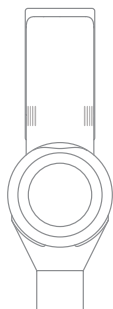


Elastyczny adapter

Uwagi: Ilustracje w niniejszej instrukcji służą jedynie jako odniesienie w celach informacyjnych. Należy zapoznać się z rzeczywistym produktem.

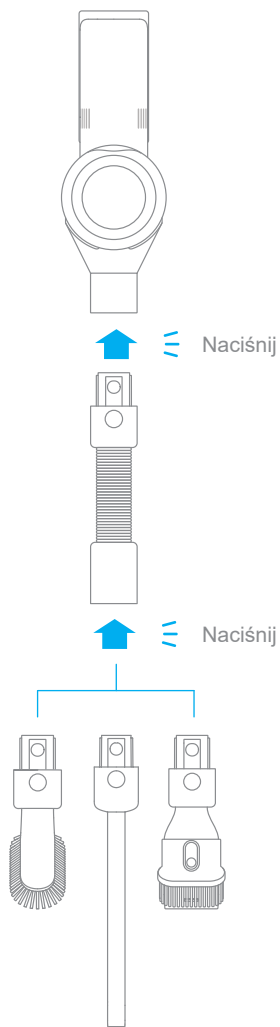
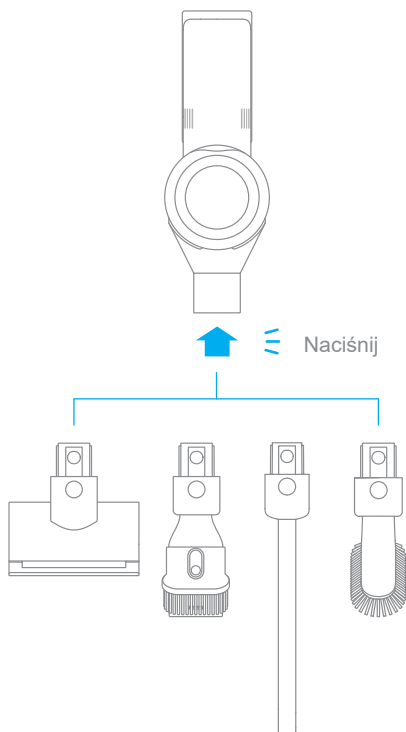
Montaż

Montaż odkurzacza



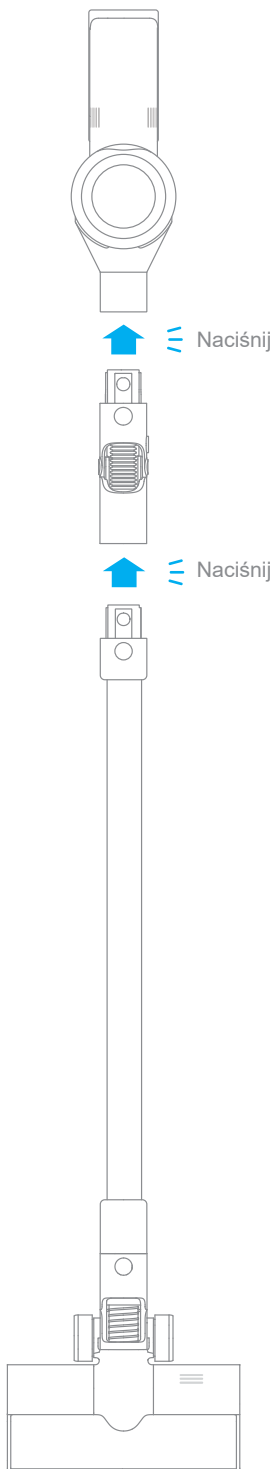
Montaż

Montaż akcesoriów



Montaż

Montaż akcesoriów

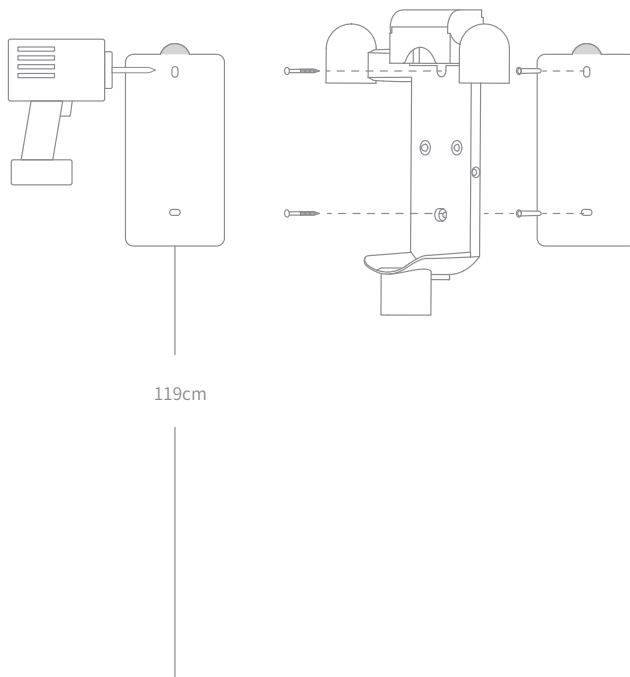


Montaż wspornika stacji ładującej 2w1

Wspornik stacji ładującej 2w1 jest akcesorium opcjonalnym. Można zamontować go w zależności od potrzeb.

Uwaga: Wspornik stacji ładującej powinien być zamontowany w chłodnym i suchym miejscu, z zasilaniem w pobliżu. Przed montażem upewnij się, że w przestrzeni bezpośrednio za nim nie ma przewodów elektrycznych ani rur.

1. Umieść naklejkę pozycjonującą na ścianie równoległe do podłoża. Zaleca się, aby dolna krawędź naklejki znajdowała się nie mniej niż 119 cm od podłoża.
2. Za pomocą wiertarki z wiertłem 8mm wywierć otwór w każdym markerze na naklejce pozycjonującej, a następnie włóż kołki rozporowe do każdego otworu.
3. Wyrównaj otwory na śruby wspornika do otworów w ścianie i przymocuj wspornik za pomocą dołączonych śrub.

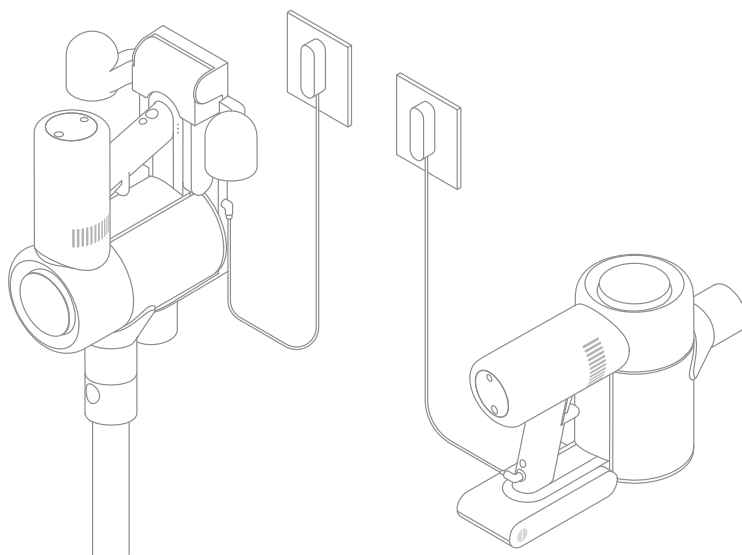


Zalecana wysokość: Dolna krawędź naklejki pozycjonującej nie powinna znajdować się mniej niż 119 cm od podłoża.

Przed pierwszym użyciem naładuj w pełni baterię odkurzacza

Uwaga:

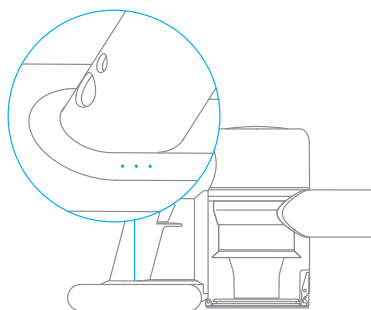
- Odkurzacza nie można używać podczas ładowania.
- Czas ładowania to około 4 godziny. Odkurzanie w trybie pełnej mocy przez dłuższy czas spowoduje nagrzanie baterii, co wydłuży czas ładowania. Przed ładowaniem zaleca się odstawienie odkurzacza do ostygnięcia na 30 minut.



Wskaźnik stanu baterii LED

☀ Miganie ○ Włączony ● Wyłączony

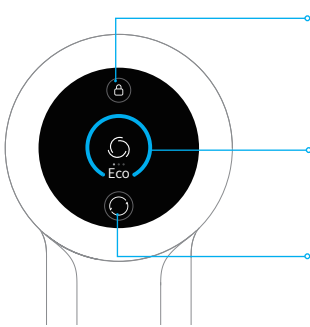
- ☀ ● ● Niski poziom naładowania baterii
- ☀ ● Bateria naładowana w połowie
- ○ ☀ Bateria naładowana prawie w pełni
- ○ ○ Bateria w pełni naładowana



Uwaga: Po pełnym naładowaniu odkurzacza wskaźnik stanu baterii wyłączy się po 5 minutach, a odkurzacz przejdzie w tryb oszczędzania energii.

Sposób użycia

Opis funkcji wyświetlacza




Blokada elektryczna/resetowanie filtra

- Naciśnij krótko, aby włączyć/wyłączyć stan blokady
- Naciśnij i przytrzymaj przez 1,5 sekundy, aby wejść do interfejsu resetowania filtra

Wyświetlacz poziomu naładowania baterii




- Niebieski: Poziom naładowania baterii wynosi ponad 20%
- Czerwony: Poziom naładowania baterii jest mniejszy niż 20%

Zmiana mocy ssania/Ustawiania języka

- Naciśnij, aby zmienić między trybami: stałym, mocnym i ultra-mocnym
- Naciśnij  i przytrzymaj przez 3 sekundy, aby przejść do interfejsu wyboru języka

Uwaga: Na wyświetlaczu pokaże się informacja, jeśli podczas korzystania z produktu konieczna jest interwencja użytkownika. Należy postępować zgodnie z instrukcjami wyświetlanymi na ekranie, aby zachować normalną wydajność produktu.

Ustawiania języka

Naciśnij  i przytrzymaj przez 3 sekundy, aby przejść do interfejsu wyboru języka. Kliknij  aby przewinąć listę języków, wybierz język, a następnie naciśnij  i przytrzymaj przez 3 sekundy, aby zapisać ustawienia.

Uwaga: Jeśli przez ponad 5 sekund żadne działania nie będą wykonywane, wyświetlacz zostanie wyłączony.

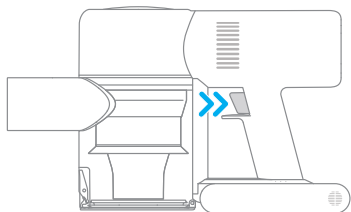
Sposób użycia

Tryb czyszczenia

Odkurzacz posiada dwie metody pracy, które można wybrać w oparciu o własne potrzeby.

Metoda 1: Tryb nieciągłego czyszczenia

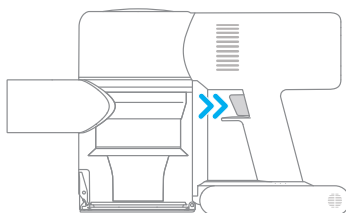
Naciśnij i przytrzymaj przycisk, aby uruchomić czyszczenie lub zwolnij go w celu natychmiastowego zatrzymania.



Metoda 2: Tryb ciągłego czyszczenia (Blokada Elektryczna)

Naciśnij elektroniczny przycisk blokady, aby przełączyć się na tryb ciągłego czyszczenia, a następnie naciśnij krótko przełącznik włączania/wyłączania, aby utrzymać odkurzacz w trybie ciągłego czyszczenia.

Używanie blokady elektrycznej uwalnia palec od nadwyrężenia spowodowanego trzymaniem przełącznika.



Uwaga:

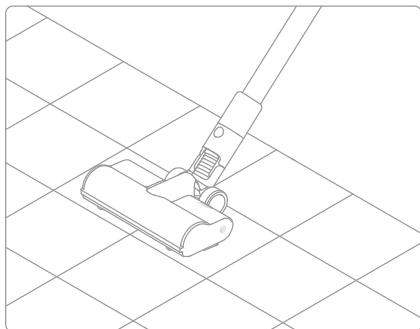
- W tym trybie naciśnij krótko włącznik/wyłącznik, aby zawiesić czyszczenie lub uruchomić ponownie, przy czym tryb pracy odkurzacza nie ulegnie zmianie.
- Naciśnij ponownie przycisk blokady elektrycznej, aby zakończyć tryb czyszczenia ciągłego.

Sposób użycia

Korzystanie z różnych akcesoriów

Ssawka wielofunkcyjna

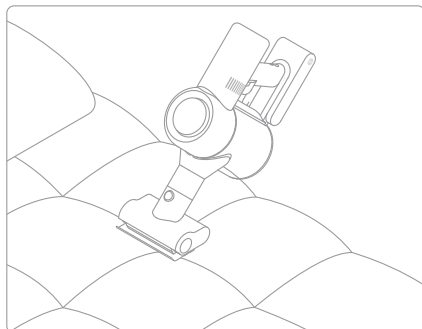
Do czyszczenia krótko- i średniowłosych dywanów, płytek podłogowych i podłóg.



Uwaga: Ssawka wielofunkcyjna może być przymocowana bezpośrednio do odkurzacza.

Elektryczna mini ssawka

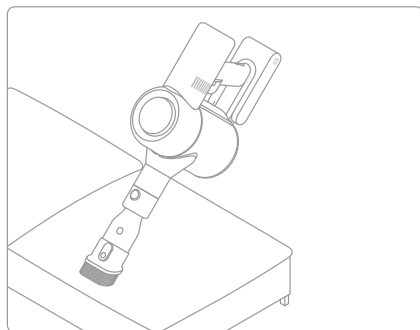
Do czyszczenia kurzu, sierści zwierząt domowych i innych uporczywych zanieczyszczeń z sof, pościeli i innych powierzchni tkaniny.



Uwaga: Nie zaleca się odkurzania na delikatnych powierzchniach, takich jak jedwab.

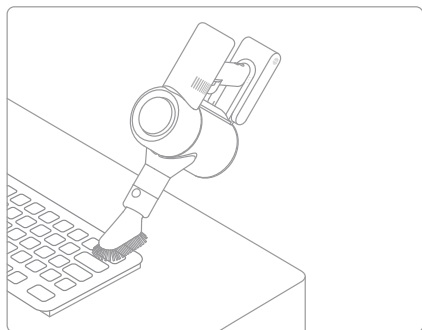
Dysza ze szczotką 2w1

Do odkurzania kurzu z zasłon, klawiatur, sufitów, sof, wnętrż pojazdów, stolików kawowych itp.



Miękka ssawka do usuwania kurzu

Do czyszczenia monitorów LCD, klawiatur, abażurów, zasłon, okiennic i innych powierzchni delikatnych przedmiotów.



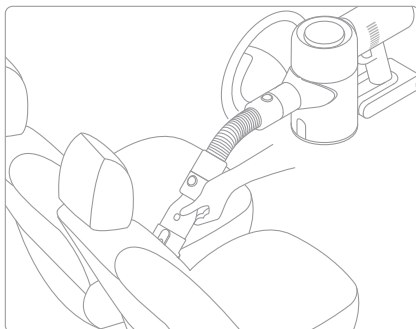
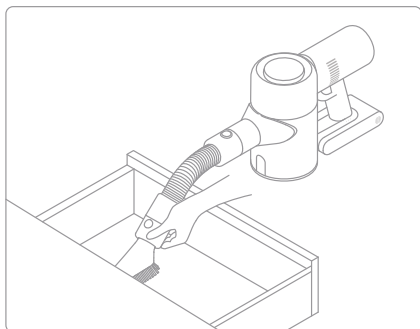
Uwaga:

- Jeśli jakkolwiek ruchomy przedmiot utknie, odkurzacz zostanie automatycznie wyłączony a czyszczenie zostanie kontynuowane po usunięciu wszystkich zablokowanych ciał obcych.
- Jeśli bateria przegrzeje się, odkurzacz zostanie automatycznie wyłączony. Należy zaczekać, aż temperatura baterii powróci do normy, aby odkurzacz zaczął działać ponownie.

Sposób użycia

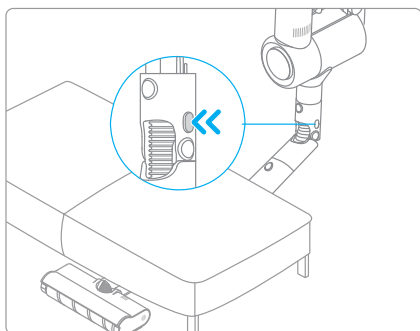
Przedłużenie

Za pomocą miękkiej ssawki do usuwania kurzu lub dyszy ze szczotką 2w1, przedłużenie nadaje się do odkurzania w narożnikach i innych trudno dostępnych miejscach, takich jak: szuflady i wnętrza samochodów.



Elastyczny adapter

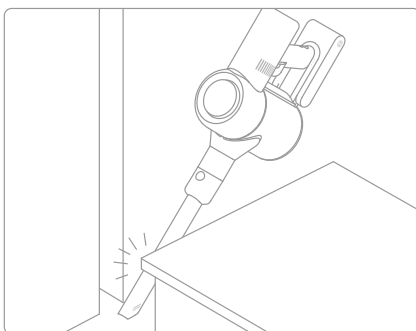
Za pomocą jednego kliknięcia wydłuża rurę odkurzacza dzięki czemu można łatwo dotrzeć pod meble, jak łóżko czy kanapa.



Uwaga: Elastyczny adapter nadaje się do odkurzania niskich mebli i nie zaleca się używania go przez cały czas w codziennym czyszczeniu podłogi.

Dysza szczelinowa z oświetleniem LED

Dysza posiada cienki otwór ssący i oświetlenie LED, dzięki czemu nadaje się do czyszczenia brudu w wąskich szczelinach.



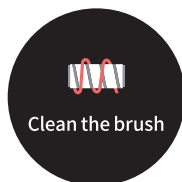
Uwaga: Dysza szczelinowa z oświetleniem LED może być używana z przedłużeniem (Przedłużenie nie ma funkcji przewodzenia, dlatego też dysza szczelinowa nie będzie świecić).

Sposób użycia

Uwaga: Na wyświetlaczu pokaże się informacja, jeśli podczas korzystania z produktu konieczna jest interwencja użytkownika. Należy postępować zgodnie z instrukcjami wyświetlanymi na ekranie, aby zachować normalną wydajność produktu.



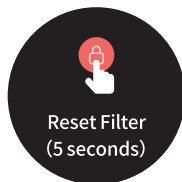
Sprawdź, czy pojemnik na kurz, przedłużenie lub ssawka wielofunkcyjna nie są zablokowane.





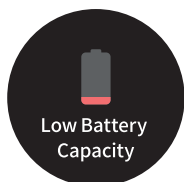
Aby wyczyścić miękkie materiał ssawki i pozbyć się zaplątanych na rolce włosów należy zapoznać się z rozdziałem [Czyszczenie ssawki wielofunkcyjnej] w instrukcji obsługi.



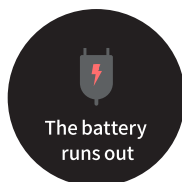
Aby wyjąć i wymienić filtr, należy zapoznać się z rozdziałem [Czyszczenie filtra HEPA] w instrukcji obsługi.



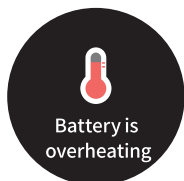
Naciśnij i przytrzymaj przycisk  przez 5 sekund, aby rozpocząć odliczanie do resetowania filtra HEPA. Poczekaj aż  pojawi się na ekranie - resetowanie zakończone pomyślnie.



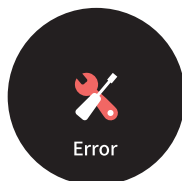
Należy naładować baterię tak szybko, jak to możliwe.



Naładuj baterię tak szybko, jak to możliwe.



Należy zaczekać i kontynuować użytkowanie, kiedy temperatura baterii wróci do normy.



Prosimy o kontakt z naszym działem obsługi posprzedażowej.

Pielęgnacja i konserwacja

Środki ostrożności

1. Przed czyszczeniem należy upewnić się, że zasilacz jest odłączony. Należy uważać, aby nie uruchomić urządzenia.
2. Należy zawsze używać oryginalnych części, aby gwarancja nie została unieważniona.
3. Jeśli odkurzacz nie jest używany przez dłuższy czas, należy go w pełni naładować, odłączyć zasilanie i przechowywać w chłodnym miejscu o niskiej wilgotności, z dala od bezpośredniego światła słonecznego. Aby uniknąć nadmiernego rozładowywania akumulatora, należy ładować odkurzacz co najmniej raz na 3 miesiące.

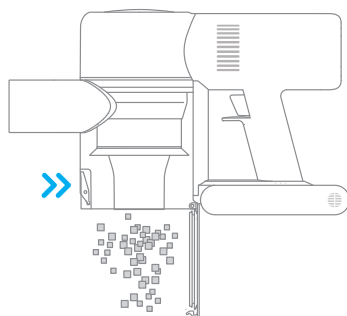
Czyszczenie odkurzacza

Należy używać miękkiej, suchej ściereczki.

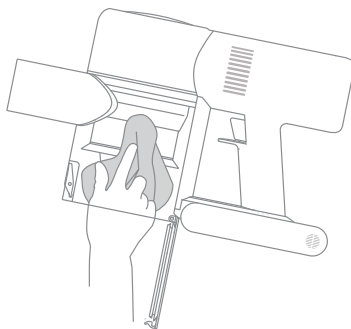
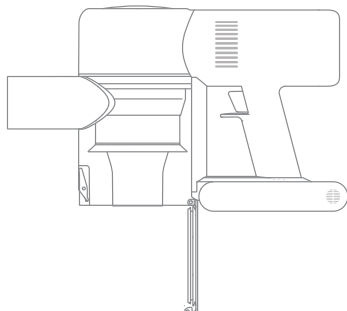
Czyszczenie pojemnika na kurz

Wydajność i efektywność czyszczenia zostanie zmniejszona, jeśli pojemnik na kurz zostanie napełniony do oznaczenia "MAX". Aby zachować optymalną wydajność, pamiętaj, aby należy pamiętać o opróżnianiu pojemnika na kurz.

1. Opróżnianie pojemnika na kurz: Naciśnij przycisk zwalnający na spodzie pojemnika, a następnie opróżnij jego zawartość.



2. Czyszczenie pojemnika na kurz: Użyj suchej ściereczki lub ręcznika papierowego, aby wytrzeć kurz z wewnętrznej ściany pojemnika na kurz.

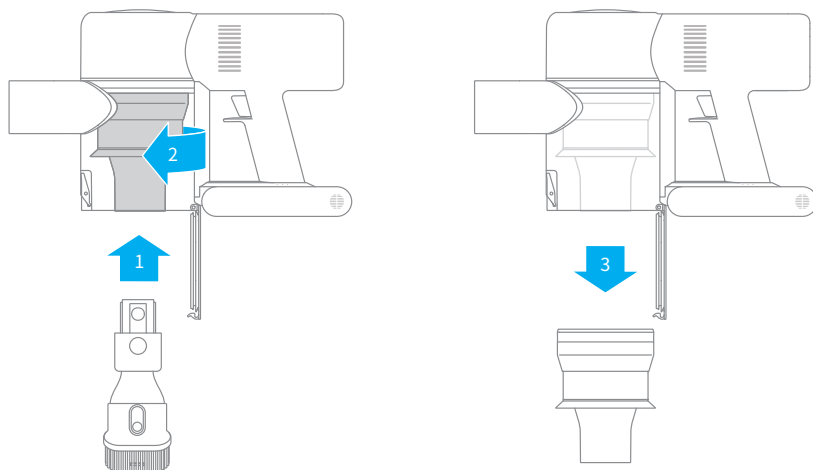


Pielęgnacja i konserwacja

Czyszczenie cyklonowego systemu oczyszczania

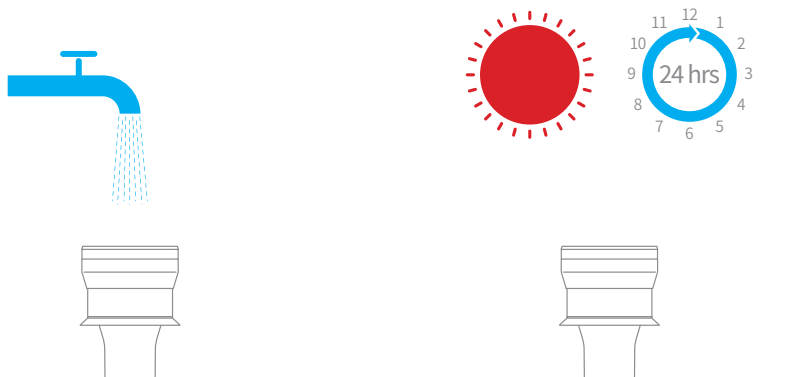
1. Obróć cyklonowy system oczyszczania w kierunku, który został zilustrowany, aby go odblokować, a następnie wyjmij go.

Uwaga: Za pomocą dyszy szczelinowej 2w1 można obracać elementami cyklonowego systemu oczyszczania w celu montażu i demontażu.



2. Elementy cyklonowego systemu oczyszczania należy przepłukać wodą i dokładnie wysuszyć.

Uwaga: Przed ponownym użyciem należy przechowywać elementy w wentylowanym lub chłodnym miejscu na co najmniej 24 godziny.

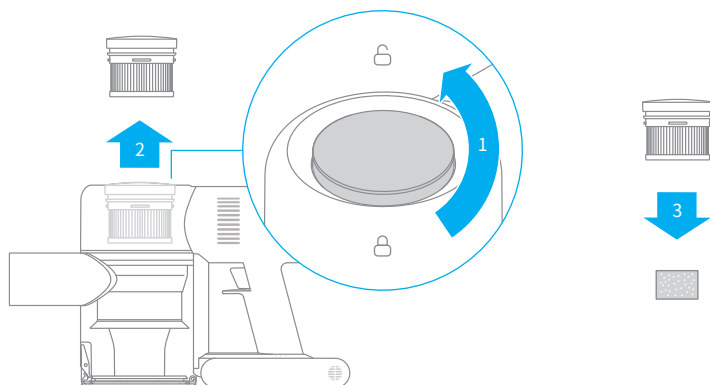


Pielęgnacja i konserwacja

Czyszczenie elementów filtra HEPA

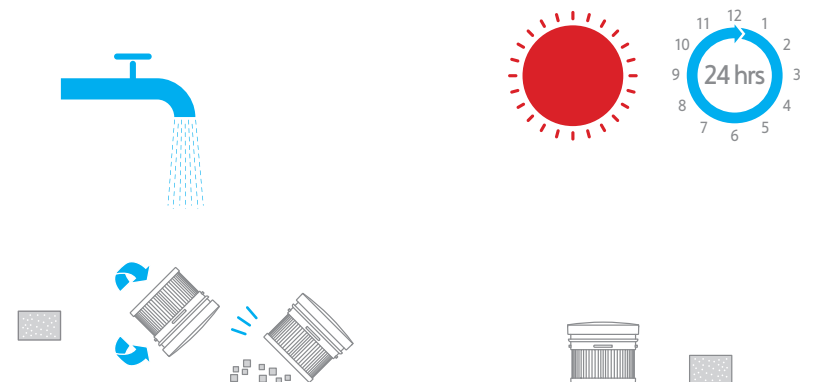
1. Należy umieścić odkurzacz na płaskiej powierzchni, a następnie obrócić pokrywę filtra HEPA we wskazanym kierunku i wyjąć go.

Uwaga: Przed czyszczeniem filtra HEPA należy wyjąć wbudowaną gąbkę filtrującą.



2. Przepłukać filtr HEPA i gąbkę filtrującą wodą. Aby dokładnie usunąć cały kurz zebrany w filtrze, należy obrócić filtr HEPA o 360 stopni podczas płukania. Należy kilkakrotnie postukać lekko filtrem o zlew, aby usunąć nadmiar zanieczyszczeń. Filtr HEPA przechowywać w dobrze wentylowanym i chłodnym miejscu, do całkowitego wyschnięcia.

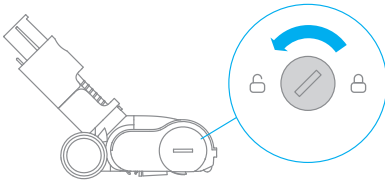
Uwaga: Przed ponownym montażem należy całkowicie wysuszyć filtr (co najmniej 24 godziny).



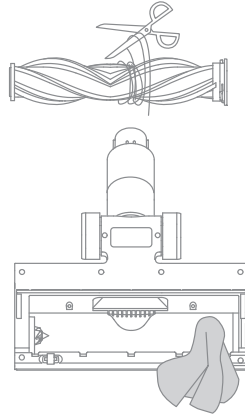
Pielęgnacja i konserwacja

Czyszczenie ssawki wielofunkcyjnej

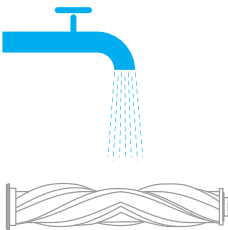
1. Obrócić blokadę w lewo, aż się zatrzyma, a następnie wyjąć szczotkę rolkową.



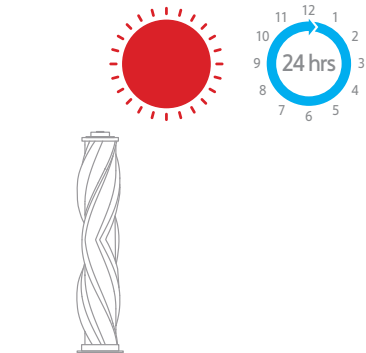
2. Użyj nożyczek, aby przeciąć włosy i inne włókna, które utknęły na głowicy rolki. Wyrzucić kurz z wycięć i przezroczystą pokrywę suchą ściereczką lub ręcznikiem papierowym. Dokładnie wysuszyć przed użyciem.



3. Jeśli jest zabrudzona, przepłucz szczotkę rolkową czystą wodą, aż będzie czysta.



4. Szczotkę rolkową należy postawić pionowo przez co najmniej 24 godziny, do całkowitego wyschnięcia.



Pielęgnacja i konserwacja

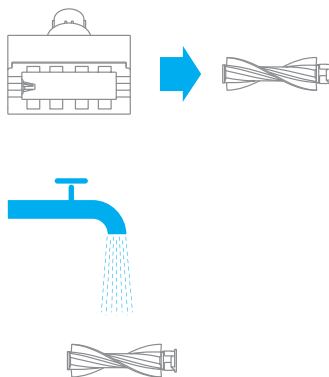
Czyszczenie elektrycznej mini ssawki

1. Użyć monety, jak pokazano na rysunku, aby obrócić blokadę w lewo, aż kliknięcie będzie wyraźnie słyszalne.

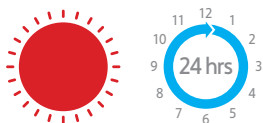
Uwaga: Zaleca się czyszczenie elektrycznej mini ssawki po każdym użyciu.



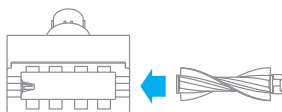
2. Po odblokowaniu szczotki rolkowej wyjmij ją z elektrycznej mini szczotki, a następnie opłucz wodą i wyczyść głowicę szczotki.



3. Mini szczotkę rolkową należy postawić pionowo przez co najmniej 24 godziny, do całkowitego wyschnięcia.



4. Po całkowitym wyschnięciu, należy ponownie zamontować szczotkę, wykonując kroki demontażu w odwrotnej kolejności.



Najczęściej zadawane pytania

Jeśli odkurzacz nie działa prawidłowo, należy zapoznać się z poniższą tabelą rozwiązywania problemów.

Błędy	Możliwe przyczyny	Rozwiązania
Odkurzacz nie działa.	Odkurzacz jest rozładowany lub poziom baterii jest niski.	Należy naładować baterię w pełni i kontynuować użytkowanie.
	Tryb ochrony przed przegrzaniem został wywołany blokadą.	Należy oczyścić otwory ssące lub kanał powietrzny. Poczekaj aż urządzenie schłodzi się i uruchom ponownie.
	Otwór ssący lub kanał powietrzny jest zablokowany.	Należy usunąć wszelkie ciała obce z otworu ssącego lub kanału powietrznego.
Słaba siła ssania.	Pojemnik na kurz jest pełny i/lub filtra HEPA jest zatkany.	Należy opróżnić pojemnik na kurz i wyczyścić filtr HEPA.
	Aksesoria są zablokowane.	Należy oczyścić akcesoria z wszelkich ciał obcych.
Silnik wydaje dziwny dźwięk.	Główny otwór ssący lub przedłużenie jest zablokowane.	Należy oczyścić główny otwór ssący lub przedłużenie z wszelkich ciał obcych.
Po włączeniu odkurzacza pierwszy wskaźnik zapalił się na czerwono.	Akumulator jest uszkodzony.	Proszę skontaktować się z działem obsługi posprzedażowej.
W czasie ładowania pierwszy wskaźnik zapalił się na czerwono.	Zasilacz jest niewłaściwy.	Należy używać wyłącznie oryginalnej ładowarki w celu ładowania odkurzacza.

Najczęściej zadawane pytania

Błędy	Możliwe przyczyny	Rozwiązania
Wskaźnik baterii nie świeci się w czasie ładowania.	Zasilacz nie jest podłączony do odkurzacza.	Upewnij się, że zasilacz jest prawidłowo podłączony.
	Bateria jest w pełni naładowana i przeszła w tryb uśpienia.	Odkurzacza można normalnie używać.
	Jeśli po wykluczeniu powyższych dwóch możliwości problem nadal występuje.	Proszę skontaktować się z biurem obsługi posprzedażowej.
Odkurzacza ładuje się powoli.	Temperatura akumulatora jest za niska lub za wysoka.	Należy poczekać i kontynuować użytkowanie, kiedy temperatura baterii wróci do normy.

Podstawowe parametry

Odkurzacz			
Model	VVT1	Czas ładowania	Okolo 4 godzin
Napięcie ładowania	30 V $\overline{=}$	Napięcie znamionowe	25,2 V $\overline{=}$
Moc znamionowa	550 W	Pojemność nominalna	3000 mAh
Ssawka wielofunkcyjna		Elektryczna mini ssawka	
Model	AVB9	Model	DM002
Moc znamionowa	40 W	Moc znamionowa	20 W

Ten produkt zawiera baterie, które mogą być wymieniane wyłącznie przez wykwalifikowany personel lub personel serwisu posprzedażowego.

Ten produkt zawiera niewymienne baterie.

למניעת תאונות לרבות מכת חשמל או שריפה הנגרמות כתוצאה משימוש לא נכון, אנא קראו מדריך זה בקפידה טרם השימוש במוצר ושמרו אותו אצלכם לעיון בעתיד.

הוראות בטיחות

מוצר זה מותר לשימוש על ידי ילדים בני 8 ומעלה ועל ידי אנשים הסובלים מקלות גופנית, תחושתית או שכלית, או בעלי ניסיון מוגבל או ידע מצומצם במידה והם נמצאים תחת השגחת הורה או מישהו ששומר עליהם וזאת על מנת להבטיח הפעלה בטוחה ולמנוע סכנות מכל סוג שהוא. פעולות הניקיון והתחזוקה לא יבוצעו על ידי ילדים ללא השגחה.

שואב האבק אינו צעצוע. חל איסור על ילדים לשחק עם המוצר או להפעילו. אנא נקטו זהירות בעת השימוש בשואב האבק בקרבת ילדים. אין לאפשר לילדים לנקות או לבצע פעולות תחזוקה של שואב האבק אלא אם כן יש עליהם השגחה מצד הורה או אדם ששומר עליהם.

אין לעשות שימוש בשואב האבק שטח פתוח או על גבי משטחים רטובים. השתמשו בשואב האבק רק על גבי משטחים יבשים במקומות סגורים. אין לגעת בתקע החשמל או בכל חלק אחר של שואב האבק בידיים רטובות.

על מנת למנוע סכנת ההתלקחות, הפיצוץ או הפגיעה, וודאו כי סוללת הליתיום ומתאם הטעינה אינם פגומים טרם השימוש. אין לעשות שימוש בשואב האבק במידה וסוללת הליתיום או המטען פגומים.

אין לנקות את המברשת הרב משטחית, המברשת מיני חשמלית, הסוללה, החלקים של מוט המאריך, הראש המאריך לניקוי חריצים, המתאם תחתיות או את גוף המכשיר עצמו על ידי טבילה במים או כל חומר ניקוי אחר. לאחר ניקוי שגרתי יש לוודא שכלל המסננים יבשים.

בזמן שמנקים את המברשת הרב משטחית והמברשת מיני החשמלית יש לוודא שהמכשיר כבוי על מנת למנוע פגיעה במשתמש. אין להשתמש במכשיר בזמן שהמברשת המרכזית, מיכל האבק והמסננים אינם מותקנים היתב.

יש להתשמש ככל האפשר במטען המגיע עם המוצר. אין לעשות שימוש במתאם שאינו רשמי, כיוון שהדבר עשוי לגרום להתלקחות של סוללת הליתיום.

אין לעשות שימוש בשואב האבק ל שאיבת נוזלים מתלקחים או דליקים, כגון בנדין או חומר מלבין, אמוניה, תכשירי ניקוי לניקוז תעלות או נוזלים אחרים.

אין לעשות שימוש בשואב האבק לשאיבת חלקיקים של קיר גבס, אפר כגון אפר של קמין או חומרים המעלים עשן או בוערים כגון פחם, בדלי סיגריות או גפרורים.

יש לבצע סריקה של המשטח המיועד לשאיבה, ובמקרה שמוצאים חתיכות גדולות של נייר, פלסטיק או דברים חדים (כגון זכוכית, מסמרים, ברגים או מטבעות, אשר עשויים לגרום נזק למכונה). או כל דבר שגדול מפתח השאיבה, יש לפנותו לפני השאיבה על מנת למנוע חסימה של המכשיר.

הרחיקו שערות, בגדים רפויים, אצבעות וחלקי גוף אחרים מפתחים וחלקים ניידים של שואב האבק. אין לכוון את הצינור, מטה או כלים לכיוון העיניים או האוזניים שלכם או להכניס אותם לתוך הפה שלכם.

אין להכניס שום חפץ לתוך פתחי שואב האבק. אין לעשות שימוש בשואב האבק עם פתחים חסומים. הרחיקו אבק, מוך, שערות או פריטים אחרים שעשויים לצמצם את זרימת האוויר.

אין להשעין את שואב האבק נגד כיסא, שולחן או משטח לא יציב אחר, כיוון שהדבר עשוי לגרום נזק למכונה או לפגיעה אישית. במידה ושואב האבק ניזוק בעקבות הפלה שלו או שיש בו תקלה מכל סוג אחר, אנא צרו קשר עם מחלקת השירות המוסמכת שלנו. לעולם אין לנסות ולפרק את המכשיר בעצמכם.

יש להקפיד לנהוג בהתאם לכל ההוראות המופיעות במדריך זה המתקשרות לטעינה חוזרת של הסוללה. כשל בטעינה נכונה של הסוללה בטווח הטמפרטורה המצוין עלול לגרום נזק לסוללה.

יש להשתמש רק במחלקי תוספת וחילוף שמומלצים על ידי חברה זאת.

וודאו כי שואב האבק מנותק ממקור החשמל כאשר אינו בשימוש למשך פרקי זמן ארוכים כמו גם טרם ביצוע פעולות תחזוקה או תיקון מכל סוג שהוא.

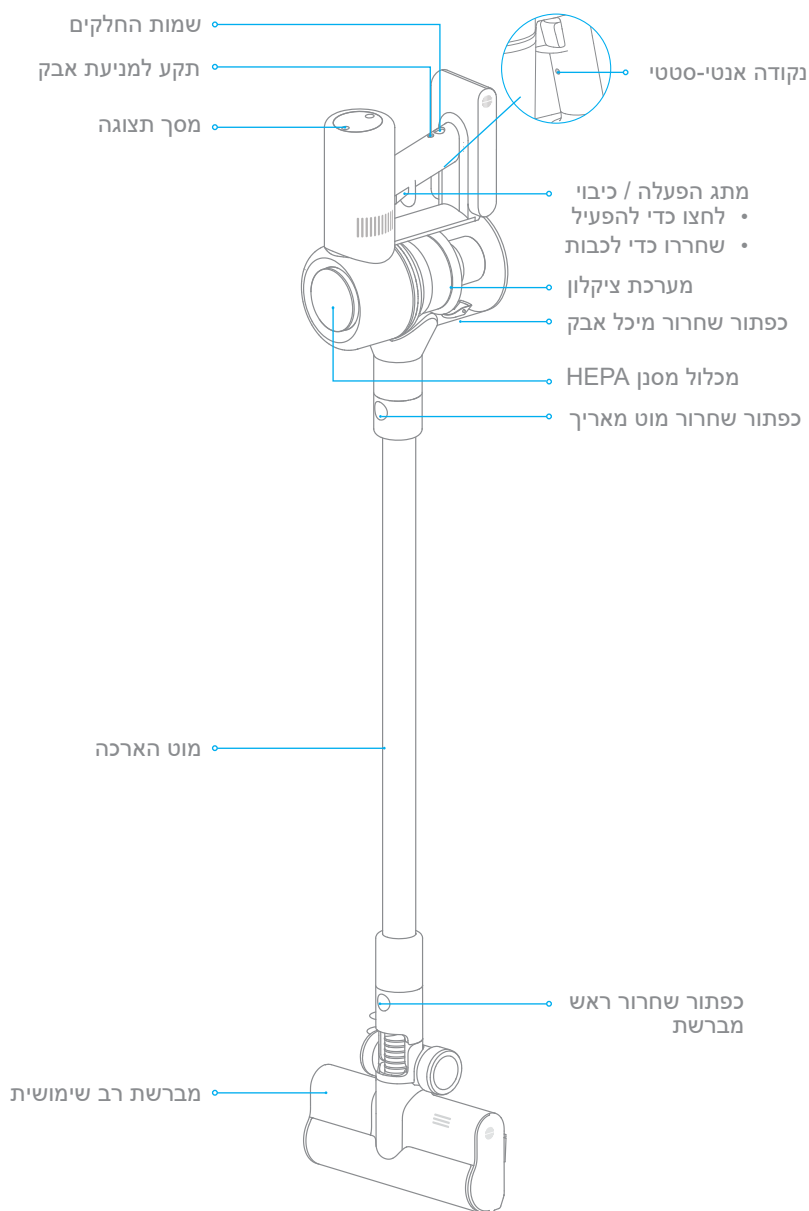
אנא נקטו זהירות יתרה בעת השימוש בשואב האבק לניקוי מדרגות.

אין להתקין, להטעין או לעשות שימוש במוצר זהבשטחים פתוחים, בחדרי אמבטיה או סביב בריכה.

אזהרה מפני סכנת התלקחות: אין לשים כל סוג שהוא של חומר ריחני לתוך מסנן שואב האבק. מוצרים מהסוג הזה ידועים כמכילים חומרים כימיים מתלקחים שעשויים לגרום להתלקחות של שואב האבק.

מוצר זה נועד לשימוש ביתי בלבד.

שמות החלקים



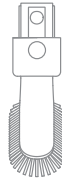
רשימת אביזרים



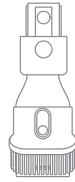
חתם סאתם



צינור הארכה



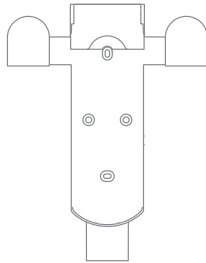
מברשת רכה לאבק



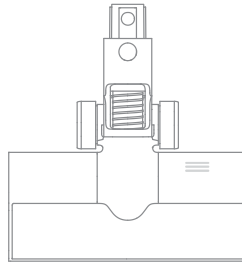
פי צינור מברשת 2 בתוך 1



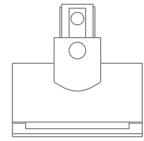
מוט הארכה



מתקן לטעינה ולאחסנה 2 בתוך 1
(כולל ברגים X 2, תקעים לקיר X 2)



מברשת רב שימושית



מברשת מיני חשמלית



פי צינור בקיע צר



מתאם חלק תחתון

תזכורת: תמונות המפרט מיעודות לעיון בלבד, על המראה בפועל מבוסס על המוצר עצמו.

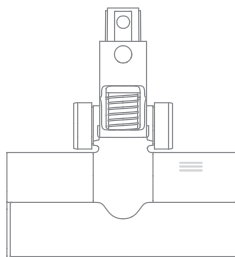
תרשים להתקנת שואב האבק והאבזרים

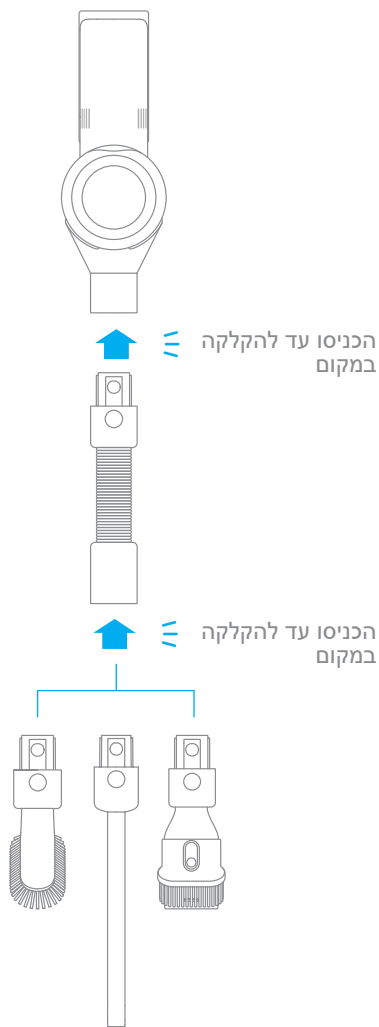
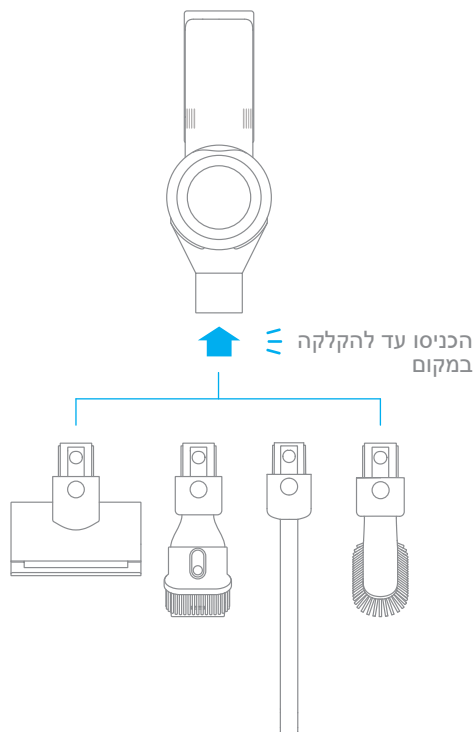


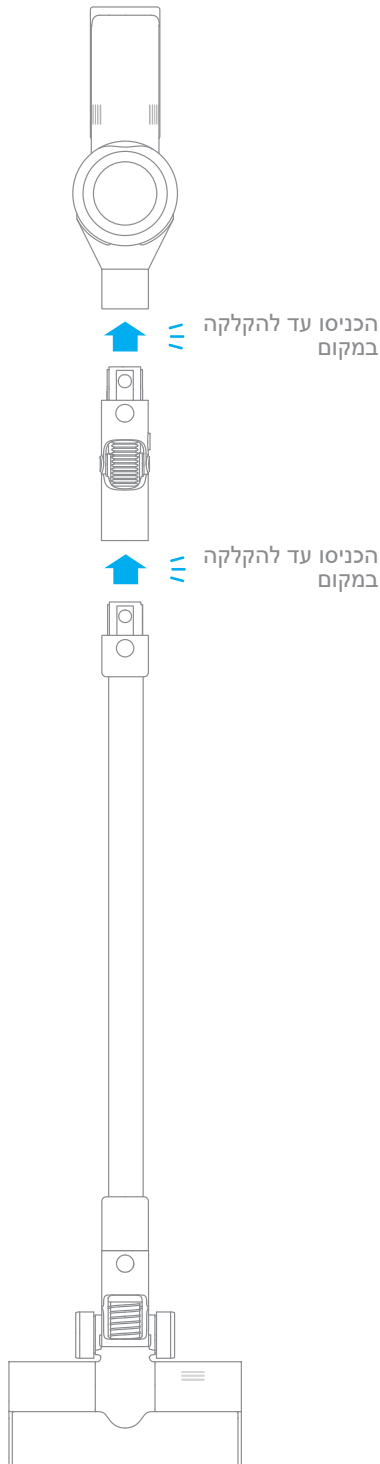
הכניסו עד להקלקה במקום



הכניסו עד להקלקה במקום





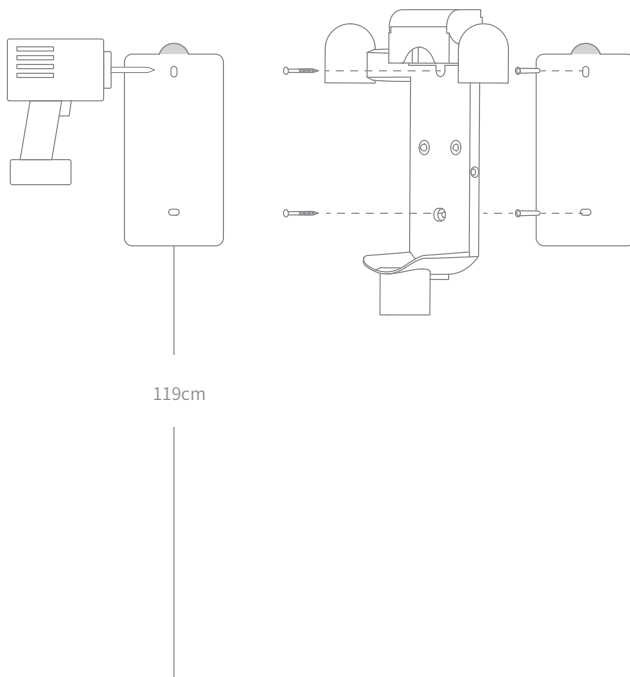


מתקן הטעינה והאחסנה 2 בתוך 1

הערה: כן מתקן הטעינה והאחסנה 2 בתוך 1 נחשב לאבזר אופציונלי, באפשרותכם להתקין אותו על סמך הדרישות שלכם.

יש להתקין את מתקן האחסון במקום קריר ויבש הסמוך למקור חשמל. יש לוודא שאין קבלי חשמל או צינורות העוברים מאחורי מקום ההתקנה.

1. הדביקו את מדבקת קביעת המקום על הקיר כך שהוא שומר על איזון עם הרצפה. מומלץ שתחתית המדבקה תהיה במרחק הגדול מ 119 ס"מ מהרצפה.
2. השתמשו בקדיחה עוצמתית עם מקדח 8 מילימטרים כדי לקדוח חור לכל חור מסומן על מדבקת תבנית המשענת, ואז הכניסו שקע לכל חור.
3. תיישרו את החורים על הכן מתקן עם החורים שעל הקיר. הדקו אותם אל הקיר עם הברגים המצורפים.

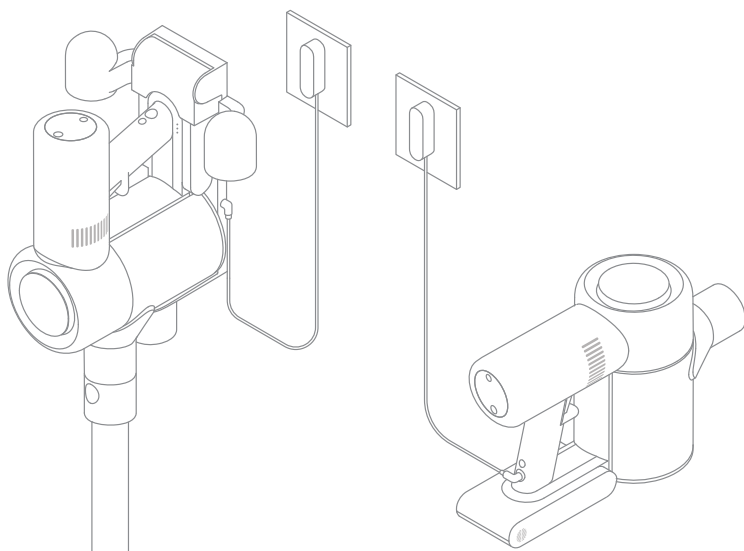


גובה התקנה מומלץ: על חלקו התחתון של המדבקה להיות במרחק 119 ס"מ ומעלה מהרצפה.

הנושאה מעפב וב שומישה מרט פוסה דע קבאה באוש תא וניעטה.

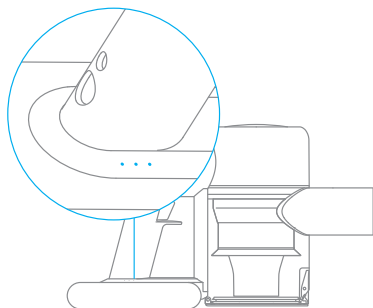
הערה:

- לא ניתן להשתמש בשואב האבק תוך כדי שהוא בטעינה.
- זמן הטעינה הוא כ-4 שעות. שאיבת אבק במצב טורבו למשך פרק זמן ממושך יביא להתחממות של הסוללה, מה שיגדיל את זמן הטעינה. אפשרו לשואב להתקרר למשך 30 דקות לפני טעינתו.




נורת חייווי מצב הסוללה

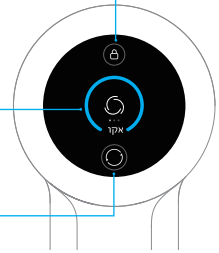
- ☀ מהבהב • כבוי ○ דולק קבוע
- ● ● סוללה חלשה
- ● ● סוללה טעונה ב-
- ☀ ○ ○ סוללה כמעט טעונה לחלוטין
- ○ ○ סוללה טעונה במלואה



הערה: ברגע ששואב האבק טעון במלואו, החיווי ייכבה לאחר 5 דקות, ושואב האבק ייכנס למצב של חיסכון בחשמל.


הכרת הפונקציות של מסך התצוגה

- **איפוס מסנן/נעילה אלקטרונית**
- לחצו כדי למתג למצב עבודה
- לחצו והחזיקו למשך שניה וחצי כדי להכנס לממשק איפוס המסנן
- **טבעת ניטור רמת סוללה**
- כחול: רמת סוללה היא יותר מ- 20%
- אדום: רמת סוללה היא פחות מ- 20%
- **מתג הילוכים/הגדרת שפה**
- לחץ על מנת להחליף בין מצב אקו, בינוני, טורבו
- לחו על  והחזיקו אותו למשך 3 שניות כדי להיכנס לממשק בחירת השפ



הערה: בזמן שהמוצר לא יכול לפעול כרגיל, המסך יקפיץ הודעה. עליכם לבצע את ההוראות שעל המסך כדי לשמור על הביצועים תקינים.

הגדרת שפה

לחו על  והחזיקו אותו למשך 3 שניות כדי להיכנס לממשק בחירת השפה, לחצו על  כדי לגלול ברשימת השפות, בחרו את השפה המתאימה ואז לחצו על  והחזיקו אותו למשך 3 שניות כדי לשמור את ההגדרה שלכם.

הערה: במידה ועוברים 5 שניות ללא פעולה המסך יכבה.

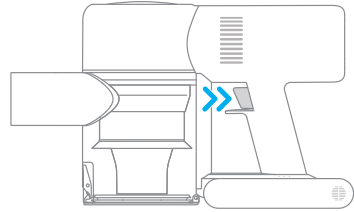
כיצד להשתמש

מצבי עבודה

ישנם שני מצבי עבודה לשואב האבק, אותם ניתן לבחור בהתאם לצרכים שלכם.

מצב 1: מצב ניקוי לא רצוף

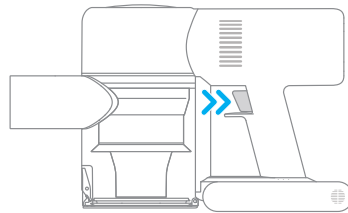
לחצו והחזיקו את מתג שואב האבק כדי להתחיל לעבוד, ושחררו אותו כדי להפסיק מיד.




מצב 2: מצב ניקוי רציף (נעילה אלקטרונית)

במצב המתנה, לחצו על מקש  כדי לעבור למצב ניקוי רציף ואז לחצו לחיצה קצרה על המתג כדי להפוך את שואב האבק למצב ניקוי רציף.

השתמשו במנעול האלקטרוני כדי לשחרר את האצבעות ולהימנע מעייפות האצבעות הנגרמת על ידי לחיצה על המתג.



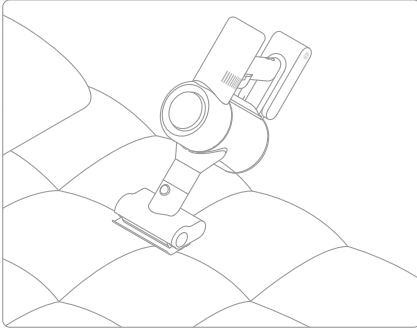
הערה:

- במצב זה, לחצו לחיצה קצרה על המתג כדי להשהות את הפעולה או להתחיל שוב, ומצב העבודה של שואב האבק לא ישתנה.
- לחצו שוב על  כדי לצאת ממצב הניקוי הרציף.

שימוש באביזרים אחרים

מיני מברשת חשמלית

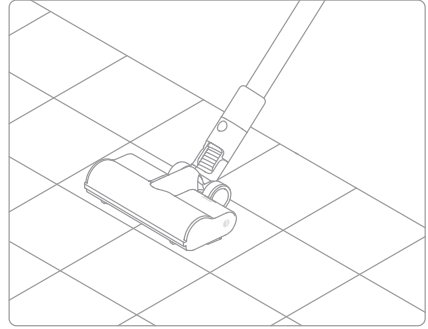
מתאים לשימוש לניקוי של אבק ושערות בעלי חיים על ספות, אריגים וכו'.



הערה: לא מומלץ לשימוש על משתחים שנפגעים בקלות (כגון משי וכו').

מברשת רב שימושית

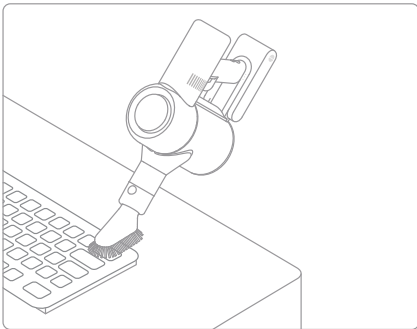
מתאים לניקיון של שטיחים על סיבים בינוניים וקצרים, וכן ניתן להשתמש בו לניקוי בלטות ופרקט.



הערה: אפשר להתקין ולהשתמש ב"מברשת הרב שימושית" על גבי המכשיר המרכזי.

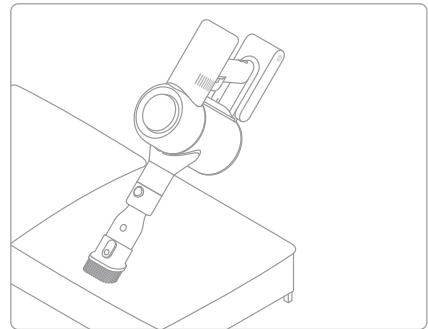
מברשת רכה לפינוי אבק

מתאים לניקיון של מסכי פלזמה, מקלדות, אהילים, וילונות, תריסים, ועוד משטחים רגישים ושבריים.



פי צינור מברשת 2 בתוך 1

מתאים לניקוי אבק מוילונות, מקלדות, תקרות ופנים הרכב.

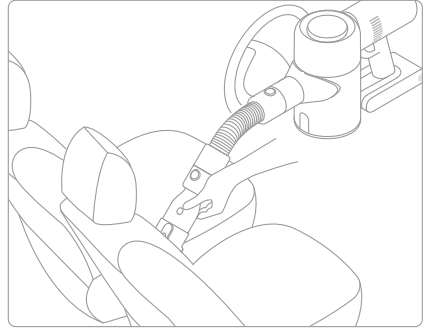
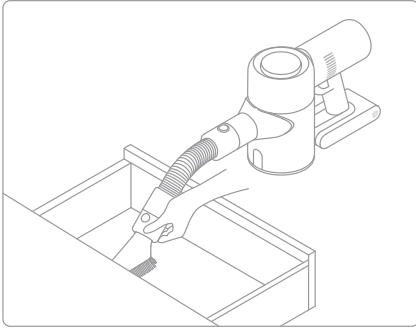


הערה:

- אם חלק מסתובב נתקע, הוואקום עלול להיכבות אוטומטית. הסירו את כל החפצים הזרים שנלכדו, ואז המשיכו להשתמש.
- השואב ייכבה אוטומטית אם המנוע שלו יעבור למצב הגנה מפני התחממות יתר. המתינו עד שטמפרטורת המנוע תחזור לקדמותה לפני שתמשיכו להשתמש.

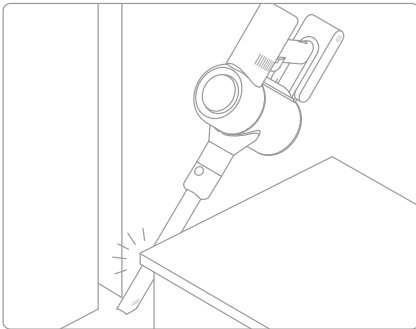
אצינור הארכה

המברשת הרכה לפינוי אבק או פי צינור מברשת 2 בתוך 1, מתאימים לניקיון של מגירות, פנים הרכב, תחתית הספה, ועוד פניו הקשות להגעה.



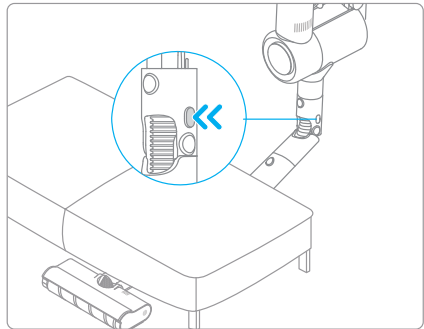
ראש שאוב מאיר איזורים צרים

נורת לד בצינורית בעלת פיה צרה מאירה, יכול להכנס יותר לאיזורים צרים וחריצים, להאיר ובצורה מדויקת לשאוב החוצה את האבק המפוזר במרחב.



מתאם חלק תחתון

בכפתור אחד מתכופף ונכנס למקומות נמוכים, מספק לצורכי ניקיון מתחת למיטות, ספות, ועוד תחתיות של רהיטים נמוכים.



הערה: ניתן להשתמש בראש המאיר לניקוי חריצים ביחד עם המאריך הגמיש. (למאריך הגמיש אין אפשרות להוליך חשמל, ובזמן שהוא מחובר אליו הראש לניקוי חריצים אינו יכול להאיר).

הערה: מומלץ להשתמש במתאם לניקוי תחתיות בזמן ניקיון מתחת לרהיטים נמוכים, בזמן ניקיון שגרתי לא מומלץ להשאיר אותו תמיד מחובר למכשיר הראשי.

בזמן שהמכשיר לא עובד שצורה שגרתית או שעל גבי המסך מופיע הודעה חריגה, יש לקרוא את המופיע על המסך ולטפל בבעייה על פי טבלת השגיאות המצורפת.



בדקו האם תא האבק, מוט המאריך ומברשת השאיבה הרב משטחית חסומים.



פנו למדריך התחזוקה [נקיון מברשת השאיבה הרב משטחית] כדי לנקות סיבים ושיער שנכרכו סביב המברשת.



עיינו במדריך התחזוקה [ניקוי מסנן HEPA] להסרת המסנן והחלפתו.



לחצו והחזיקו את ה- 5 למשך 5 שניות כדי להיכנס למסך הספירה לאחור של איפוס המסנן. כאשר מופיע על המסך, זה מציינ שהאיפוס.



אנא טענו בהקדם האפשרי.



אנא טענו בהקדם האפשרי.



המתינו עד שהטמפרטורה של הסוללה תחזור למצב רגיל, ואז המשיכו להשתמש.



אנא צרו קשר עם מוקד שירות הלקוחות לצורך תחזוקה.

הערה:

1. לפני ריקון התא, ודאו ששואב האבק מנותק מהחשמל, ואל תלחצו על כפתור ההדלקה.
2. השתמשו תמיד בחלקים מקוריים על מנת למנוע ביטול של האחריות שלכם על המוצר.
3. במידה ולא מתוכנן לעשות שימוש בשואב האבק למשך פרק זמן ארוך, הטעינו אותו עד הסוף, נתקו את המתאם שלו ואחסנו אותו בסביבה קרירה עם רמת לחות נמוכה הרחק מאור שמש ישיר. למניעת פריקת יתר של הסוללה, הטעינו מחדש את שואב האבק לכל הפחות פעם ב- 3 חודשים.

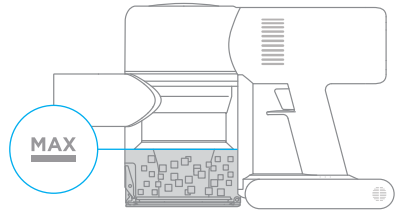
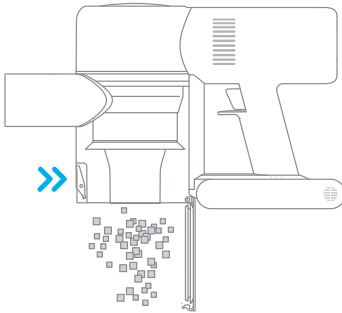
ניקיון שואב האבק

נגבו את שואב האבק בעזרת מטלית יבשה ורכה.

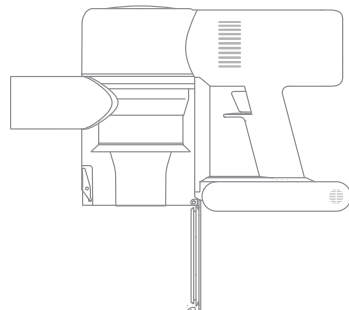
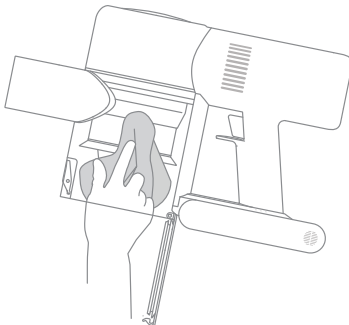
ניקיון תא האבק

יכולת הניקיון של שואב האבק תופחת אם תא האבק יהיה מלא עד לסימן המקסימום. כדי לטייב תוצאות, רוקנו את תא האבק אחת לכמה זמן.

1. ריקון זבל: לחצו על הכפתור שבתחתית מכסה תא האבק בכיוון החץ, ואז רוקנו את תוכנו.



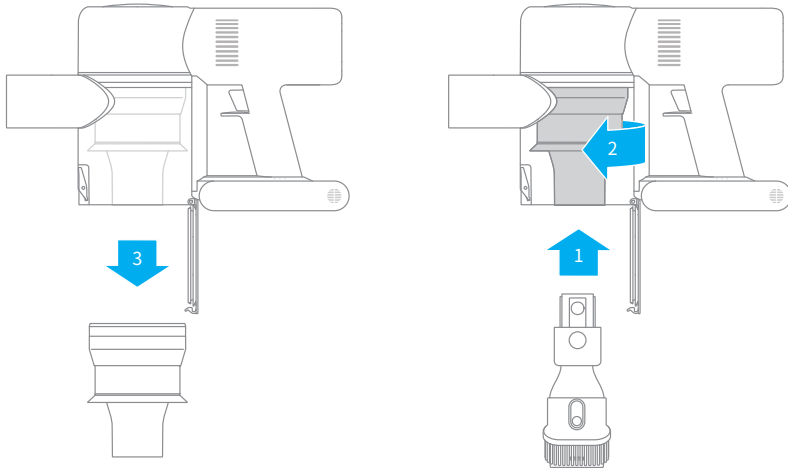
2. ניקיון הקירות הפנימיים של מיכל האבק: השתמשו בסמרטות או נייר רך ונגבו את האבק מהקיר הפנימי.



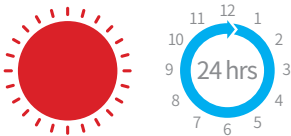
ניקיון מודול המערכת הציקלונית

1. סובבו לכיוון הסימון בכדי לשחרר את מודול המערכת הציקלונית, אז תוכלו לפרקו ולהוציאו.

הערה: ניתן להשתמשפי צינור מברשת 2 בתוך 1, להלבישו על מודול המערכת הציקלונית ולסובבו לפירוק והתקנה.



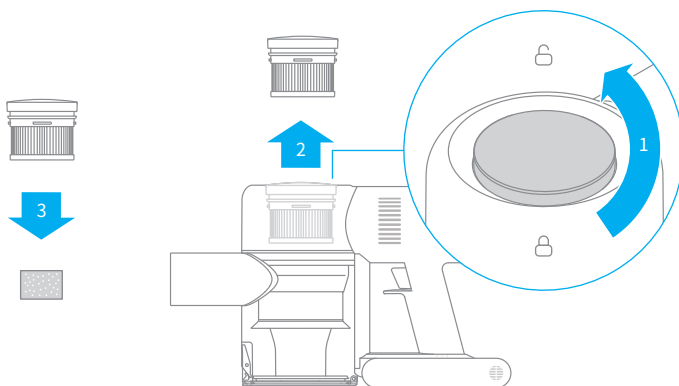
2. שתפו את המודול הציקלוני עד שהוא נקי, והשאירו אותו לייבוש עד שמתייבש לחלוטין.
הערה: אנא וודאו לתקינו חזרה לאחר הייבוש (יש להשאיר לייבוש לפחות 24 שעות).



נקיון מסנן ה-HEPA

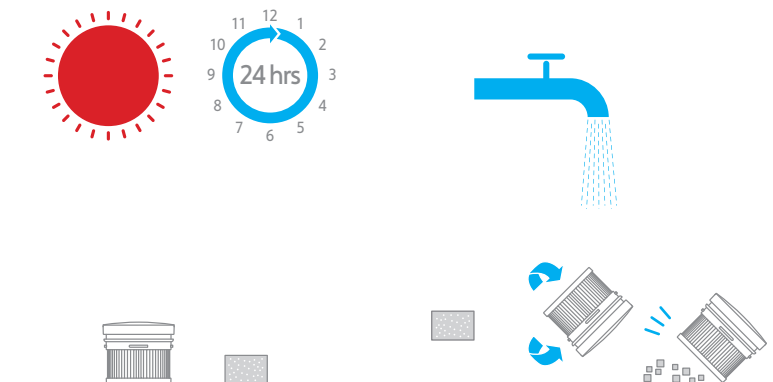
1. כאשר המכשיר הראשי מונח הייטב על משטח ישר, סובבו את פקק המסנן בכיוון המסומן בכדי להוציאו.

הערה: לפני שמנקים את המסנן אנא הוציאו את הספוג הפנימי.



2. השתמשו במים צלולים לשטוף את המסנן ואת הספוג, בזמן השטיפה יש לסובב את המסנן 360° ולתת מספר דפיקות קלות כשהוא מול זרם המים, על מנת לוודא שהלכלוך נוקה באופן אחיד. יש להשאיר לייבוש את המסנן והספוג עד שהם ייבשים לחלוטין.

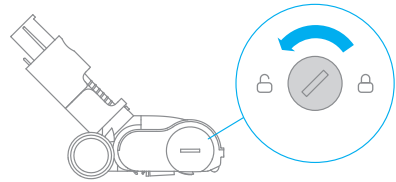
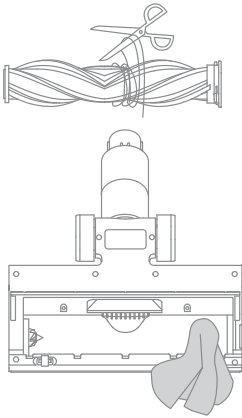
הערה: אנא וודאו לתקינו חזרה לאחר הייבוש (יש להשאיר לייבוש לפחות 24 שעות).



ניקיון המיני מברשת החשמלית

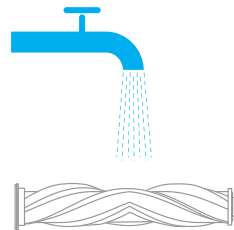
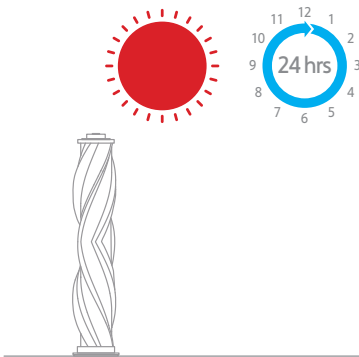
1. השתמשו במטבע בהתאם לאיור לסיבוב הנעילה כנגד כיוון השעון עד שתשמעו צליל הקלקה.
- הערה: מומלץ לנקות לאחר כל שימוש.

2. לאחר שחרור נעילת ראש המברשת, הוציאו אותו ממני המברשת החשמלית, לאחר מכן שטפו ונקו את ראש המברשת.



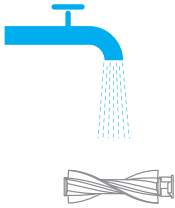
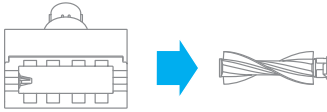
4. ברגע מברשת הרולר יבש, הרכיבו אותו חזרה למקומו בהתאם לשלבי הפירוק בסדר הפוך.

3. העמידו את ראש המברשת בצורה אנכית באזור מאוורר היטב למשך 24 שעות לכל הפחות עד שהוא יבש לחלוטין.

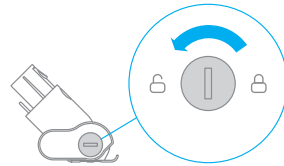


נקיון ה"מברשת הרב שימושית

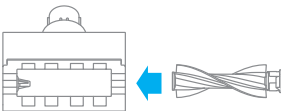
השתמשו במספריים כדי לחתוך שערות וסיבים שנתקעו על ראש המברשת. נגבו את האבק מהשקעים ומהכיסוי השקוף בעזרת מטלית יבשה או נייר סופג.



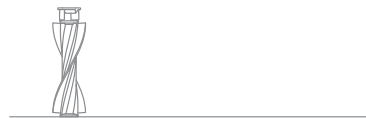
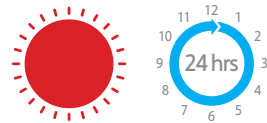
על פי התרשים סובבו את כפתור הנעילה כנגד כיוון השעון עד לנקודת העצירה, הוציאו את מברשת הגלגלי מתוך מברשת הרצפות.



4. העמידו את ראש המברשת בצורה אנכית באזור מאוורר היטב למשך 24 שעות לכל הפחות עד שהוא יבש לחלוטין.



3. כאשר ראש המברשת מלוכלך יחסית, נקו אותו במים זורמים עד שהוא נקי.



שאלות שנשאלות לעיתים תכופות

במידה ושואב האבק אינו פועל בצורה תקינה, אנא עיינו בטבלת איתור התקלות ופתרון הבעיות שלהלן.

פתרונות	סיבות אפשריות	שגיאות תכופות
המתינו עד שהשואב יתקרר ואז הפעילו אותו מחדש.	שואב האבק הינו ללא סוללה או מתח עבודה נמוך.	שואב האבק לא עובד.
פתיחת יניקה או מעבר דרכי מעבר האוויר חסומות.	טענו את שואב האבק לחלוטין, ואז המשיכי להשתמש בו.	
נקו חסימות מפתחי יניקה או דרכי מעבר האוויר.	מצב הגנת חימום יתר מופעל על ידי חסימה.	
האביזר סתום.	תא האבק מלא ו/או מכלול מסנני HEPA סתום.	כוח יניקה חלש.
נקה חסימות באביזר.	רוקנו את תא האבק ונקו את מכלול מסנן HEPA.	
נקו את כל החסימות בפתח היניקה הראשי או במוט הארכה.	כניסת היניקה הראשית או מוט הארכה חסומים.	המנוע משמיע רעש מוזר.
אנא צור קשר עם מוקד שירות הלקוחות לצורך תחזוקה.	הסוללה פגומה.	הנורת חיווי הראשונה לאחר הפעלת השואב.
השתמשו רק במתאם הכוח המקורי כדי לטעון את שואב האבק.	מתאם החשמל אינו תואם.	הנורת חיווי הראשונה לאחר נורת החיווי הראשונה מהבהבת באדום בזמן טעינה.

ניתן להשתמש באופן רגיל.	המתאם אינו מחובר לשואב האבק.	חיווי הסוללה לא נדלק בזמן טעינה.
אם הבעיה נמשכת לאחר שלילת שתי האפשרויות לעיל.	ודאו שמתאם החשמל מחובר כראוי.	
אנא צרו קשר עם מוקד שירות הלקוחות לצורך תחזוקה.	הסוללה טעונה במלואה ועברה למצב שינה.	
המתינו עד שהטמפרטורה של הסוללה תחזור למצב רגיל, אז המשיכו להשתמש.	טמפרטורת הסוללה נמוכה מדי או גבוהה מדי.	נטען לאט.

שואב אבק			
תועש 4רעושמ	זמן טעינה	VVT1	דגם המוצר
25.2 V ===	דרגת מתח	30 V ===	כוח טעינה
3000 mAh	קיבולת מדורגת	550 W	סיווג הספק
מברשת רב שימושית		מיני מברשת חשמלית	
AVB9	דגם	DM002	דגם
40 W	סיווג הספק	20 W	סיווג הספק

מוצר זה מכיל סוללות שניתן להחליף רק על ידי טכנאים מוסמכים או מרכז שירות לקוחות.
מוצר זה מכיל סוללות שאינן ברות החלפה.

Instruções de segurança

Para evitar acidentes, incluindo choque elétrico ou incêndio causado por uso impróprio, mantenha este manual cuidadosamente antes de usar e guarde-o para referência futura.

Atenção

Este produto pode ser usado por crianças com 8 anos ou mais, e pessoas com deficiências físicas, sensoriais, intelectuais ou experiência ou conhecimento limitados sob a supervisão de um dos seus pais ou responsável para garantir uma operação segura e evitar qualquer risco de perigo. A limpeza e a manutenção não devem ser realizadas por crianças sem supervisão.

O aspirador não é um brinquedo. As crianças não devem brincar ou operar este produto. Tenha cuidado ao usar o aspirador caso esteja perto de crianças. Não permita que crianças limpem ou mantenham o aspirador, a menos que supervisionadas pelos pais ou responsável.

Não use o aspirador ao ar livre ou em superfícies molhadas. Use o aspirador somente em superfícies internas secas. Não toque na ficha ou em qualquer parte do aspirador com as mãos molhadas.

Para reduzir o risco de incêndio, explosão ou ferimentos, certifique-se de que a bateria de lítio e o adaptador de carga não estejam danificados antes do uso. Não use o aspirador se a bateria de lítio ou o carregador estiverem danificados.

A escova para todos os tipos de piso, mini escova elétrica, bateria, haste de extensão de metal, bocal de LED para fendas, adaptador flexível e o host são eletricamente condutores e não devem ser imersos em água ou outro líquido. Certifique-se de secar todos os filtros após a limpeza.

Evite ferimentos causados por peças móveis. Desligue o aspirador antes de limpar a escova para todos os tipos de piso e a mini escova elétrica. A escova para todos os tipos de piso, o copo de pó e o filtro devem estar devidamente instalados antes de usar o aspirador.

Use apenas o adaptador de carregamento original. Nunca use o de não original.

Não use o aspirador para coletar líquidos inflamáveis ou combustíveis, como gasolina ou alvejante, amônia, produtos de limpeza de ralos ou outros líquidos.

Não use o aspirador para coletar partículas de pó de cal, cinzas como cinzas de lareira ou materiais fumegantes ou em chamas, como carvão, bitucas de cigarro ou fósforos.

Verifique a área a ser limpa antes de usar. Para evitar que as aberturas sejam bloqueadas, limpe o papel maior, a cuspedeira, o pano de plástico ou objetos pontiagudos como vidro, pregos, parafusos, moedas, etc. e qualquer objeto que seja maior do que as aberturas.

Mantenha os cabelos, roupas largas, dedos e outras partes do corpo longe das aberturas e partes móveis do aspirador. Não aponte o cabo, a haste ou as ferramentas

para seus olhos ou ouvidos, nem os coloque na boca.

Não coloque nenhum objeto nas aberturas do aspirador. Não use o aspirador com nenhuma abertura bloqueada. Mantenha-o livre de poeira, fiapos, cabelos ou outros itens que possam reduzir o fluxo de ar.

Não encoste o aspirador em uma cadeira, mesa ou outra superfície instável, pois isso pode causar danos à máquina ou ferimentos pessoais. Se o aspirador for danificado ou apresentar mau funcionamento, entre em contato com nosso departamento de serviço autorizado. Nunca tente desmontar o dispositivo por conta própria.

Todas as instruções do manual para recarregar a bateria devem ser estritamente seguidas. O não carregamento correto da bateria dentro da faixa de temperatura especificada pode danificá-la.

Use apenas acessórios e peças de reposição aprovados pelo Dreame.

Certifique-se de que o aspirador esteja desconectado quando não for usado por longos períodos, bem como antes de realizar qualquer manutenção ou reparo.

Tenha muito cuidado ao usar o aspirador para limpar escadas.

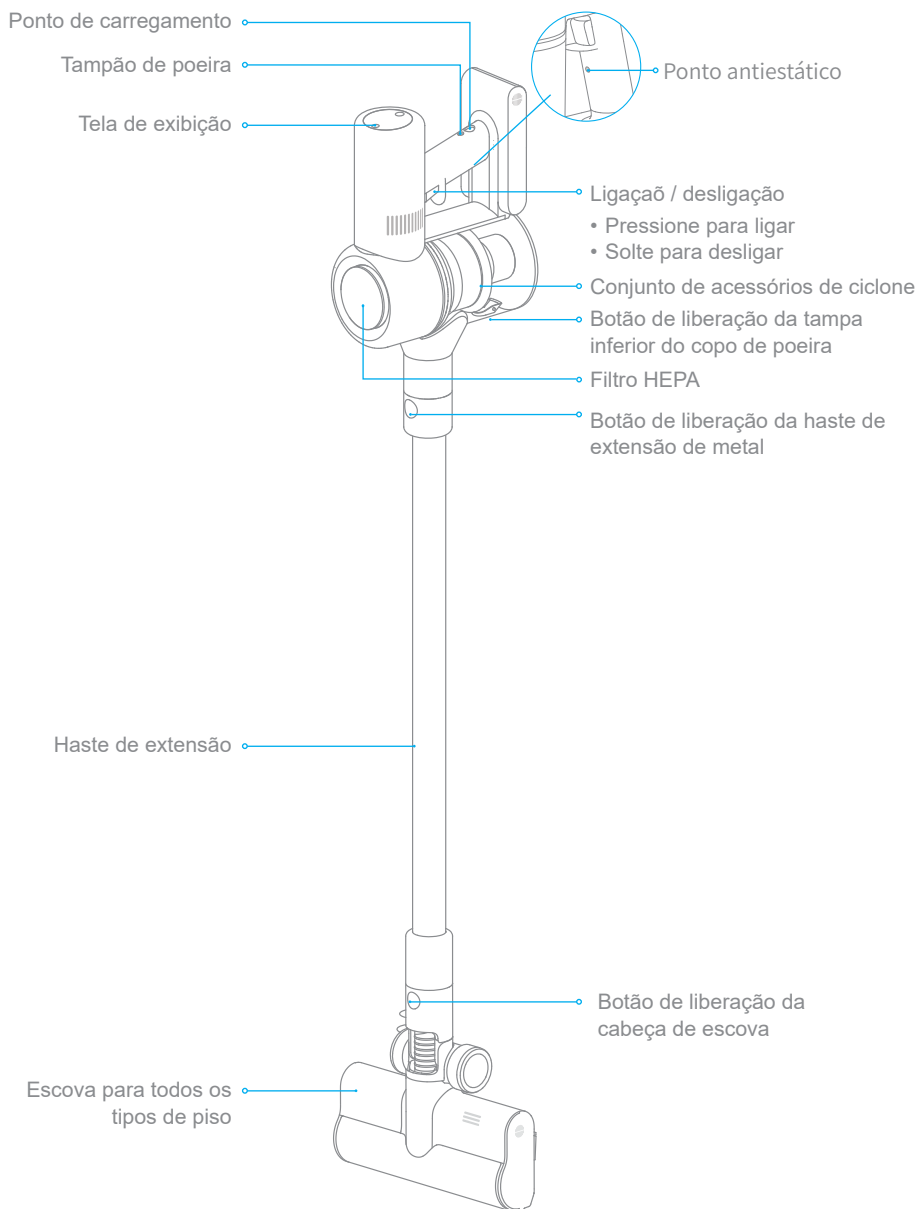
Não instale, carregue ou use este produto ao ar livre, em banheiros ou ao redor de uma piscina.

Aviso de perigo de incêndio: Não aplique nenhum tipo de fragrância ao filtro do aspirador. Esses tipos de produtos são conhecidos por conter produtos químicos inflamáveis que podem fazer o aspirador pegar fogo.

Este produto foi projetado apenas para uso doméstico.

Apresentação do produto

Nome de componente



Apresentação do produto

Lista de Acessórios



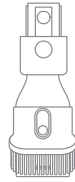
Carregador



Cabo de extensão



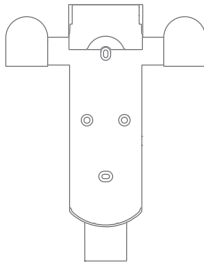
Escova macia de pó



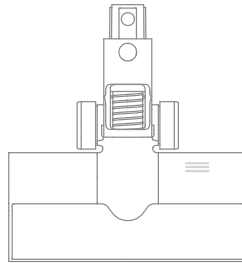
Bocal de escova 2 em 1



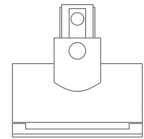
Haste de extensão de metal



Suporte de carregamento e armazenamento 2 em 1
(Incluindo parafusos × 2, buchas × 2, adesivo de modelo de montagem × 1)



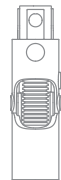
Escova para todos os tipos de piso



Mini escova elétrica



Bocal LED para fendas

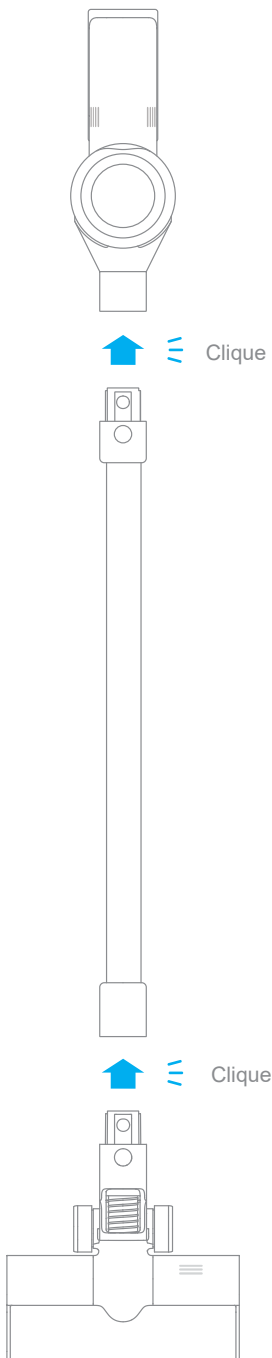


Adaptador flexível

Observação: As imagens neste manual serão apenas para fins ilustrativos. O produto real pode ser diferente.

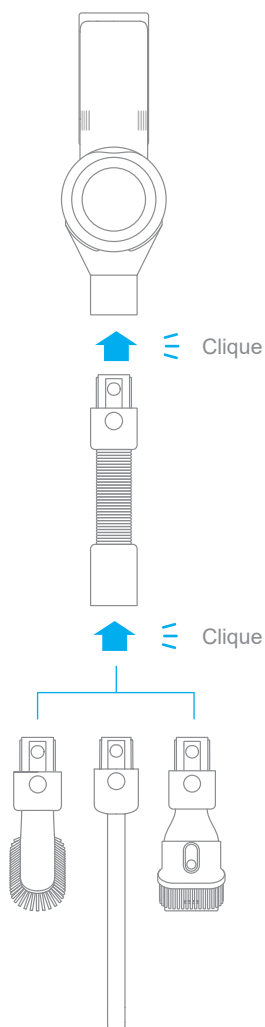
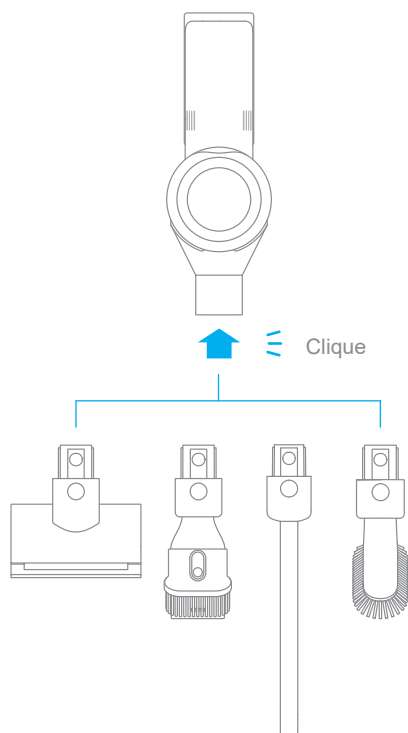
Instalação

Diagrama de instalação
de vácuo



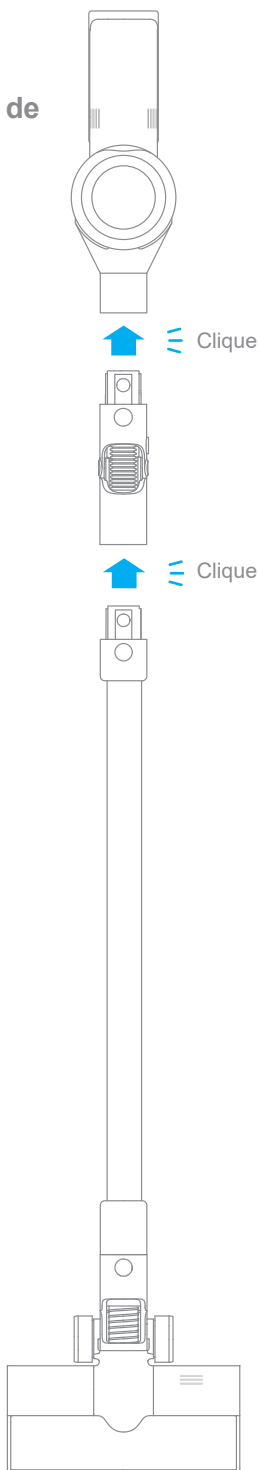
Instalação

Diagrama de instalação de acessórios



Instalação

Diagrama de instalação de acessórios

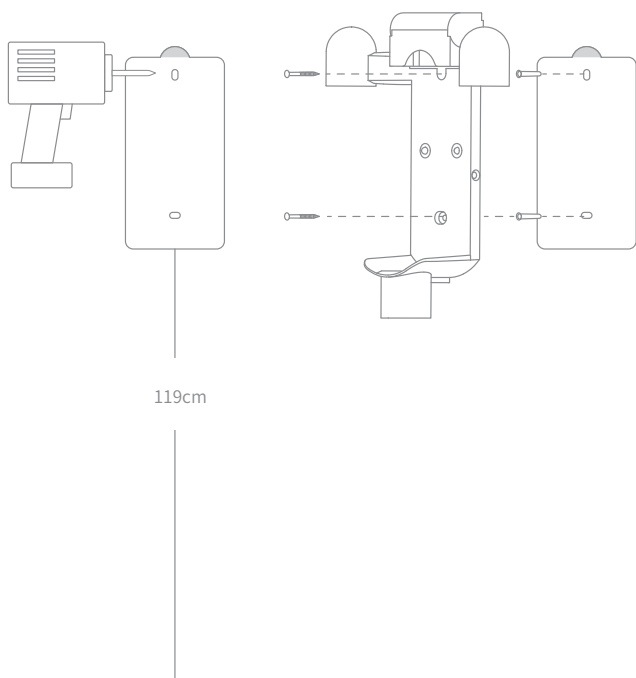


Suporte de carregamento e armazenamento 2 em 1

O suporte de carregamento e armazenamento 2 em 1 é um acessório opcional. Você pode instalá-lo segundo sua necessidade.

Observação: O suporte de carregamento e armazenamento 2 em 1 deve ser instalado no local fresco e seco com a tomada elétrica próxima. Antes de instalar, certifique-se de que não haja fios elétricos ou tubos no espaço atrás do local instalado.

1. Cole o adesivo do modelo de montagem na parede e mantenha-o paralelo ao solo. Recomenda-se que a parte inferior do adesivo esteja a pelo menos 119 cm acima do solo.
2. Aplique uma furadeira com a broca de 8 mm para fazer um furo em cada marcador no adesivo do modelo de montagem e, em seguida, insira um plugue de parede em cada furo.
3. Alinhe os orifícios de localização no suporte com os furos na parede. Fixe-o na parede com os parafusos incluídos.



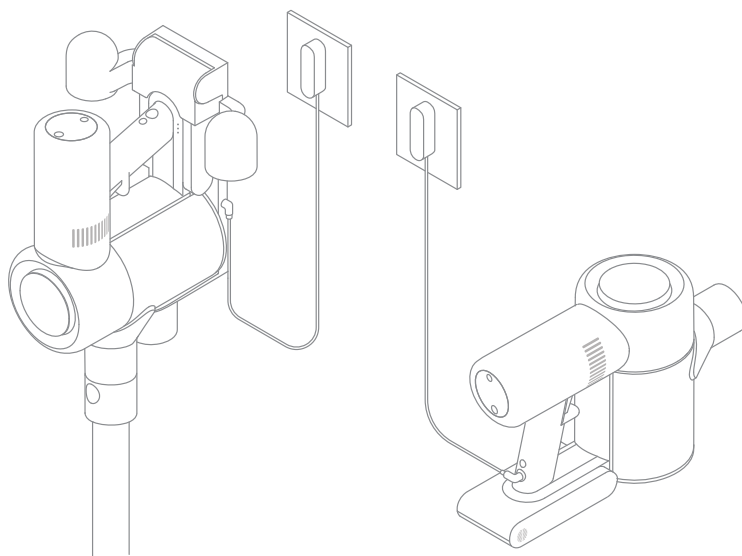
Altura de montagem recomendada: A parte inferior do adesivo do modelo de montagem deve estar a pelo menos 119 cm do solo.

Carregamento

Carregue totalmente o aspirador antes de usá-lo pela primeira vez.

Observação:

- O vácuo não pode ser usado durante o carregamento.
- Uma carga completa levará cerca de 4 horas. Aspiração do Modo Turbo por um período prolongado fará com que a bateria aqueça, o que aumenta o tempo de carregamento. Portanto, deixe o vácuo esfriar por 30 minutos antes de carregá-lo.



Indicador LED de status da bateria

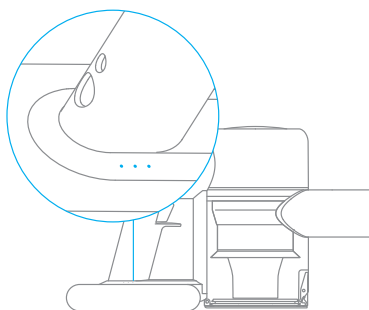
☀ Piscando ○ Ligação ● Desligação

☀ ● ● Bateria Fraca

○ ☀ ● Bateria média

○ ○ ☀ Quase cheio

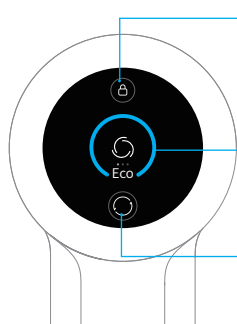
○ ○ ○ Carregamento completo



Observação: Assim que o vácuo estiver totalmente carregado, o indicador desligará após 5 minutos e o vácuo entrará no modo de economia de energia.

Como é que usa

Introdução da função da tela de exibição




Bloqueio eletrônico / redefinição do filtro

- Pressione brevemente para entrar / sair do status de bloqueio
- Pressione e segure por 1,5 segundos para entrar na interface de redefinição do filtro

Anel do monitor de nível de bateria




- Azul: O nível da bateria é superior a 20%
- Vermelho: O nível da bateria é inferior a 20%

Mudança do nível de sucção/Configuração de idioma

- Clique para alternar entre o Modo Eco, Modo Médio e Modo Turbo
- Pressione  e segure por 3 segundos para entrar na interface de seleção de idioma

Observação: Se precisar prestar atenção a alguma anormalidade durante o uso do produto, aparecerá um prompt na tela. Você deve seguir as instruções na tela para manter o desempenho normal.

Configuração de idioma

Pressione  e segure por 3 segundos para entrar na interface de seleção de idioma. Clique em  para rolar pela lista de idiomas, selecione um idioma e, em seguida, pressione  e segure por 3 segundos para salvar sua configuração.

Observação: Se não houver operação por mais de 5 segundos, a exibição será desligada.

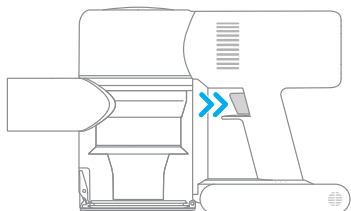
Como é que usa

Modo de limpeza

Existem dois métodos de trabalho para o host, que podem ser selecionados de acordo com as suas necessidades.

Método 1: Modo de limpeza descontínua

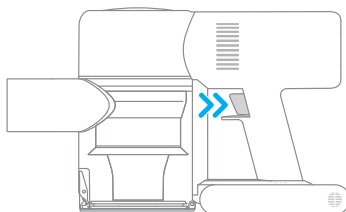
Pressione e segure o botão do host para habilitar este modo e solte-o para parar imediatamente.



Método 2: Modo de limpeza contínua (Fechadura Eletrônica)

Clique na tecla de bloqueio eletrônico para alternar para o modo de limpeza contínua e, em seguida, pressione brevemente o botão ligação / desligação para manter o host no modo de limpeza contínua.

Use a fechadura eletrônica para livrar seu dedo do cansaço causado pelo seguro do botão.



Observação:

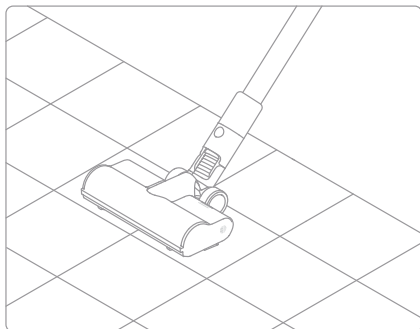
- Neste modo, pressione brevemente o botão ligação / desligação para suspender a operação ou iniciar novamente, e o modo de trabalho do host não mudará.
- Clique na fechadura eletrônica novamente para sair do modo de limpeza contínua.

Como é que usa

Uso no cenário diferente

Escova para todos os tipos de piso

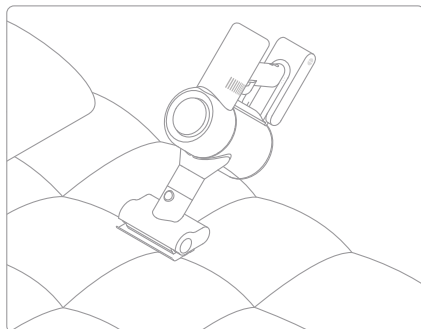
Adequado para carpetes de pêlo médio / baixo, ladrilhos e pisos.



Observação: A escova para todos os tipos de piso pode ser acoplada diretamente ao aspirador.

Mini escova elétrica

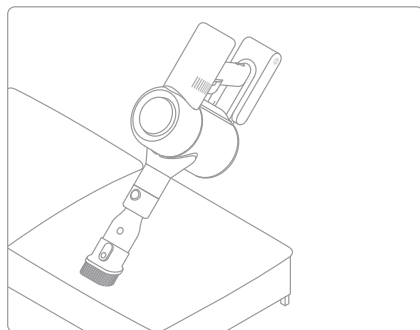
Para aspirar sujeira, pelos de animais de estimação e outros detritos teimosos de sofás, roupas de cama e outras superfícies de tecido.



Observação: Não é recomendado aspirar em superfícies frágeis, como seda.

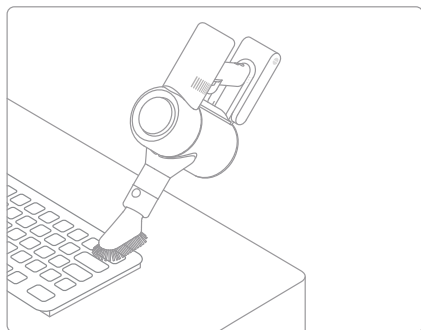
Bocal de escova 2 em 1

Para aspirar a poeira de cortinas, teclados, tetos, sofás, interiores de veículos, mesas de centro, etc.



Escova macia de pó

Adequado para aspirar LCDs, teclados, abajures, cortinas, venezianas e outras superfícies de objetos frágeis.



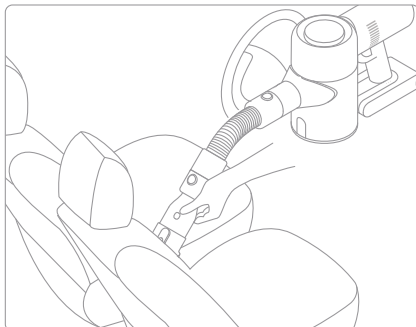
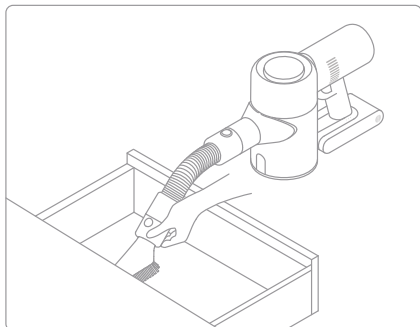
Observação:

- Se qualquer parte rotativa ficar presa, pode desligar automaticamente. Remova todos os objetos presos para que o dispositivo possa funcionar normalmente.
- Quando a bateria fica superaquecida, pode desligar automaticamente. Espere até que a temperatura da bateria volte ao normal, então funcionará normalmente.

Como é que usa

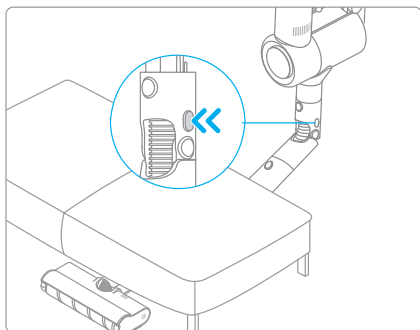
Cabo de extensão

É adequado para aspirar os cantos que não são facilmente acessíveis, como gavetas e interior de carros, quando usar escova de pó macia ou bocal de escova 2 em 1.



Adaptador Flexível

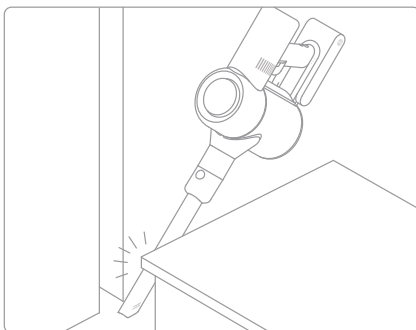
Dobrar e estender a haste com um clique pode facilmente alcançar móveis baixos, como cama e sofá.



Observação: O adaptador flexível é adequado para aspirar móveis baixos mas não é recomendado conectá-lo ao aspirador pelo tempo todo na limpeza diária do piso.

Bocal LED para fendas

O bico está equipado com uma abertura de sucção fina e luz LED. É adequado para aspirar os detritos em locais estreitos.



Observação: O bocal LED para fendas pode ser usado com cabo de extensão (o bocal não acende quando está conectado à cabo de extensão não condutivo).

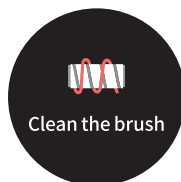
Como é que usa

Caso seja necessário prestar atenção a alguma anormalidade durante o uso do produto, será um prompt mostrado na tela. Você deve seguir as instruções na tela para manter o desempenho normal.



Air duct blocked

Verifique se o coletor de pó, a haste de extensão de metal e a escova para todos os tipos de piso estão bloqueados.



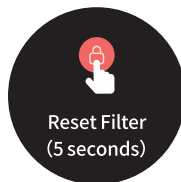
Clean the brush

Consulte a seção do manual de manutenção [Limpeza da cabeça de escova para todos os tipos de piso] para limpar o material de fibra e os cabelos enrolados na escova giratória.





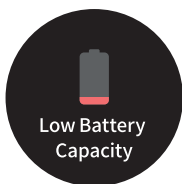
Replace the filter

Consulte a seção do manual de manutenção [Limpeza do filtro HEPA] para remover o filtro e substituí-lo.



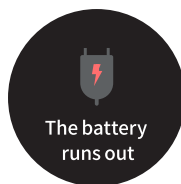
Reset Filter
(5 seconds)

Pressione e segure o botão  por 5 segundos para entrar na contagem regressiva para redefinir o filtro HEPA. Aguarde e até  aparecer na tela, a redefinição foi bem-sucedida.



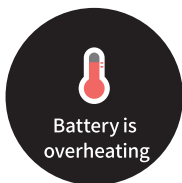
Low Battery
Capacity

Por favor, carregue o mais rápido possível.



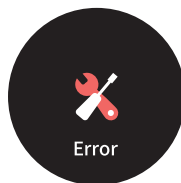
The battery
runs out

Por favor, carregue o mais rápido possível.



Battery is
overheating

Aguarde e continue a usar depois que a temperatura do bateria estiver normal.



Error

Entre em contato com nosso departamento de serviço pós-venda para manutenção.

Cuidado e manutenção

Dicas:

1. Antes de limpar o coletor de pó, desconecte o adaptador de energia e mantenha o botão ligação / desligação do aspirador na posição desligada. E não pressione o interruptor.
2. Sempre use peças genuínas para evitar que sua garantia seja anulada.
3. Se o aspirador não for usado por um longo período, carregue-o totalmente, desconecte o adaptador de energia e guarde-o no ambiente fresco e com baixa umidade, longe da luz solar direta. Para evitar a descarga excessiva da bateria, recarregue o aspirador pelo menos uma vez a cada 3 meses.

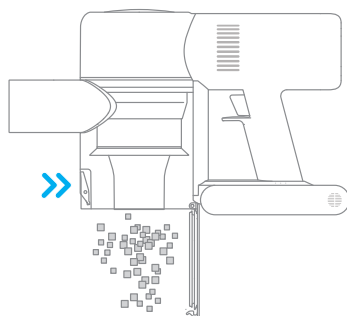
Limpeza do Host

Limpe com um pano macio e seco.

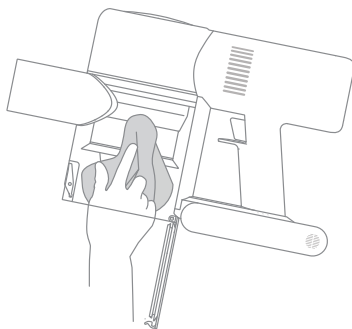
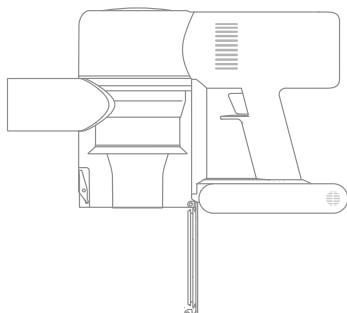
Limpe o copo de poeira

A capacidade do aspirador será reduzida se o coletor de pó for preenchido até a marca "MAX". Para manter o desempenho ideal, lembre-se de esvaziar a xícara.

1. Esvazie o copo de pó: Pressione o botão de liberação na parte inferior do copo e esvazie seu conteúdo.



2. Limpe o coletor de pó: Use um pano seco ou toalha de papel para limpar a poeira da parede interna do coletor de pó.

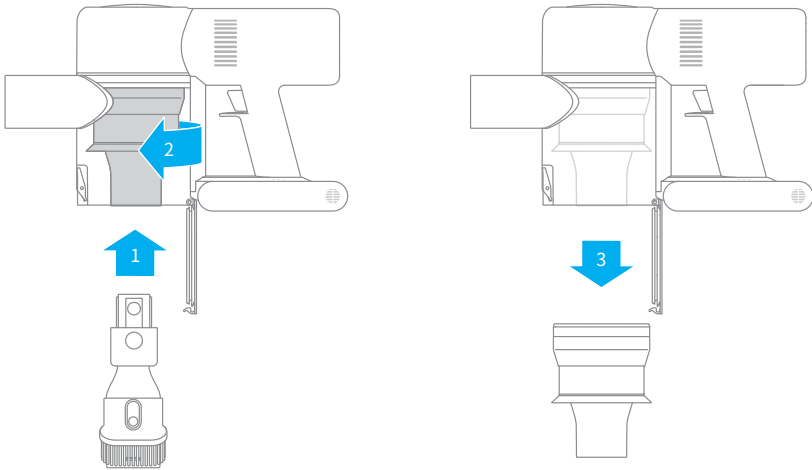


Cuidado e manutenção

Limpeza do Conjunto do Ciclone

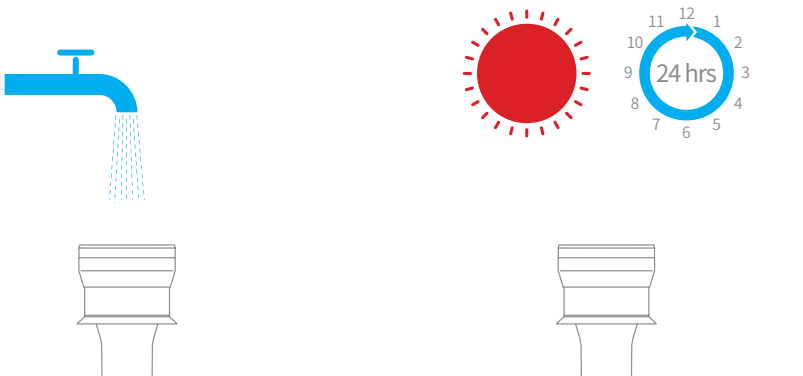
1. Gire o conjunto do ciclone na direção ilustrada para destravá-lo e, em seguida, remová-lo.

Observação: Use o bocal para fendas 2 em 1 para remover o separador de ciclone da caixa. Gire o bocal na direção mostrada no diagrama para uma limpeza completa.



2. Enxágue o conjunto do ciclone com água até que esteja limpo. Seque completamente

Observação: Mantenha-o em local ventilado ou fresco por pelo menos 24 horas.

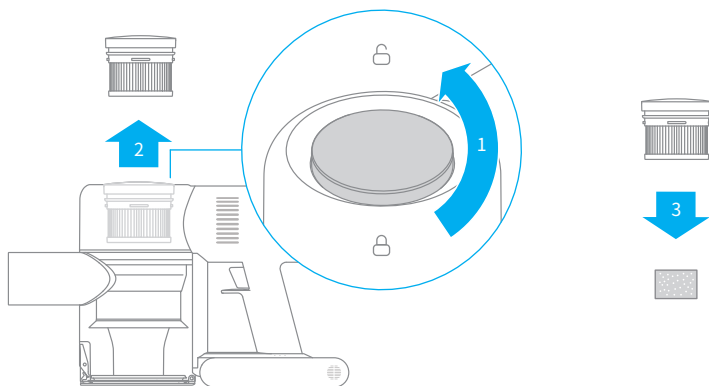


Cuidado e manutenção

Limpeza do conjunto do filtro HEPA

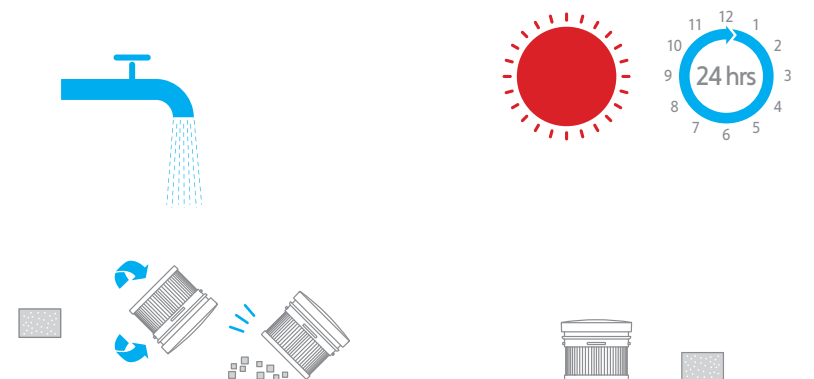
1. Coloque o aspirador com segurança em uma superfície plana, depois gire a tampa do conjunto do filtro HEPA na direção indicada e remova o conjunto do filtro HEPA.

Observação: Remova a almofada de espuma embutida antes de limpar o conjunto do filtro HEPA.



2. Enxágue o filtro HEPA e a almofada de espuma com água. Para remover completamente toda a poeira presa no filtro, gire o filtro HEPA 360 graus durante o enxágue. Bata levemente o filtro contra uma pia várias vezes para remover qualquer excesso de detritos. Mantenha o filtro HEPA no local bem ventilado e fresco para secar completamente.

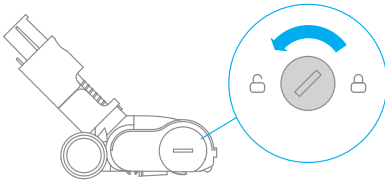
Observação: Seque totalmente o filtro (pelo menos 24 horas) antes de reinstalá-lo.



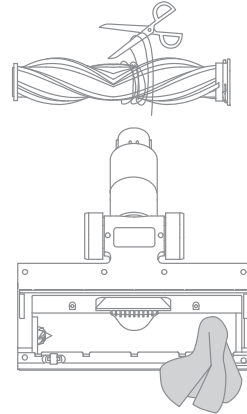
Cuidado e manutenção

Limpeza da escova para todos os tipos de piso

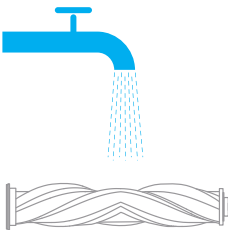
1. Gire a trava no sentido anti-horário até parar e, em seguida, remova a escova giratória da escova.



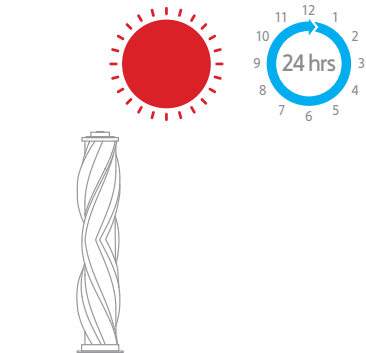
2. Use uma tesoura para cortar os cabelos e fibras que ficam presas na cabeça da escova. Limpe a poeira do entalhe e da tampa transparente com um pano seco ou toalha de papel. Seque bem antes de usar.



3. Quando estiver suja, enxágue a escova giratória com água até que esteja limpa.



4. Deixe a escova giratória em pé por pelo menos 24 horas até que esteja totalmente seca.



Cuidado e manutenção

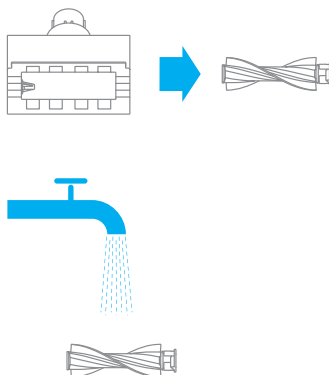
Limpeza da mini escova eléctrica

1. Use uma moeda conforme ilustrado para girar a fechadura no sentido anti-horário até ouvir um clique.

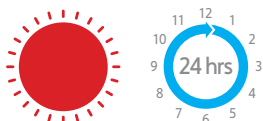
Observação: Recomenda-se limpar a mini escova eléctrica após cada uso.



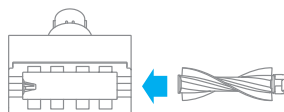
2. Depois de destravar a escova de rolo, remova-a da escova e enxágue, e limpe a cabeça da escova.



3. Coloque a escova de rolo em pé numa área bem ventilada por pelo menos 24 horas até que esteja totalmente seca.



4. Assim que a escova de rolo estiver seca, reinstale-a seguindo as etapas de desmontagem na ordem inversa.



Perguntas e Respostas

Se o aspirador não estiver funcionando corretamente, consulte a tabela de solução de problemas abaixo.

Erros	Causas Possíveis	Soluções
O aspirador não funciona.	O aspirador está sem bateria ou com pouca energia.	Carregue totalmente e continue a usá-lo.
	Modo de proteção contra superaquecimento acionado por um bloqueio.	Limpe as aberturas de sucção ou o duto de ar. Espere até que o aspirador esfrie e, em seguida, reative-o.
	Abertura de sucção ou duto de ar bloqueado.	Remova qualquer bloqueio da abertura de sucção ou duto de ar.
Força de sucção fraca.	O copo de poeira está cheio e / ou o conjunto do filtro HEPA está entupido.	Esvazie o copo de poeira e limpe o conjunto do filtro HEPA.
	Bloqueio de acessório.	Elimine bloqueio no acessório.
O motor tem um barulho estranho.	Abertura de sucção principal ou haste de extensão de metal.	Remova bloqueio na abertura de sucção principal ou cabo de extensão.
O primeiro indicador fica vermelho após ligar o aspirador.	A bateria está danificada.	Entre em contato com o departamento de serviço pós-venda para manutenção.
O primeiro indicador pisca em vermelho ao carregar.	O carregador é incompatível.	Use apenas o carregador original para carregar o vácuo.

Perguntas e Respostas

Erros	Causas Possíveis	Soluções
O indicador da bateria não acende durante o carregamento.	O adaptador não está conectado ao aspirador.	Certifique-se de que o adaptador de energia esteja conectado corretamente.
	A bateria está totalmente carregada e entra no modo de espera.	Pode usar normalmente.
	Se o problema persistir após descartar as duas possibilidades acima.	Entre em contato com o departamento de serviço pós-venda para manutenção.
Carrega demasiado lentamente.	A temperatura da bateria está muito baixa ou muito alta.	Aguarde até que a temperatura da bateria volte ao normal e, em seguida, continue a usar o aspirador.

Especificações

Host			
Modelo	VVT1	Tempo de carregamento	Cerca de 4 Horas
Tensão de carga	30 V ===	Tensão nominal	25,2 V ===
Potência nominal	550 W	Capacidade nominal	3000 mAh
Escova para todos os tipos de piso		Mini escova elétrica	
Modelo	AVB9	Modelo	DM002
Potência nominal	40 W	Potência nominal	20 W

As baterias neste produto só podem ser substituídas por técnicos qualificados ou serviço pós-venda.

Este produto contém baterias não substituíveis.

- The word "dreame" is the abbreviation of Dreame Technology Co., Ltd. and its subsidiaries in China. It is the transliteration of the company's Chinese name " 追觅 ", which means striving for excellence in every endeavor and reflects the company's vision of continuous pursuit, exploration and search in technology.
- Das Wort "dreame" ist die Abkürzung von Dreame Technology Co., Ltd. und seinen Tochterunternehmen in China. Es ist die Transliteration des chinesischen Namens " 追觅 " dieser Firma, was für das Streben nach Vollendung steht und die Vision des Unternehmens widerspiegelt, nämlich im Bereich der Technologie unaufhaltsam weiterzustreben, zu erforschen und entdecken.
- Dreame est l'abréviation de l'entreprise chinoise Dreame Technology Co., Ltd. et ses filiales, qui est la traduction phonétique du nom chinois de l'entreprise « 追觅 », reflétant la vision de l'entreprise qui consiste à poursuivre, explorer et rechercher constamment les avancées technologiques.
- La parola "dreame" è l'abbreviazione dell'azienda Dreame Technology Co., Ltd. e delle sue filiali in Cina. È la traslitterazione del nome cinese dell'azienda " 追觅 ", che dimostra la continua ricerca, esplorazione e visione di ricerca dell'azienda nella tecnologia.
- La palabra "dreame" es la abreviatura de Dreame Technology Co., Ltd. y sus subsidiarias en China. Es la transliteración del nombre chino de " 追觅 ", que significa luchar por la excelencia en cada esfuerzo y refleja la visión de la compañía de continuamente buscar, explorar e investigar en tecnología.
- Dreame — сокращённое название китайской компании Dreame Technology Co., Ltd. и ее дочерних предприятий. Dreame является транслитерацией названия компании на китайском языке « 追觅 », в котором отражено корпоративное видение компании в сфере науки и технологий — непрерывный поиск, исследования и стремление к успеху.
- Słowo "dreame" to skrót od Dreame Technology Co., Ltd. i spółek w Chinach. Jest to transliteracja chińskiej nazwy firmy " 追觅 " co oznacza dążenie do doskonałości w każdym przedsięwzięciu, odzwierciedlając wizję firmy, jaką jest ciągłe prowadzenie, odkrywanie i poszukiwania w nauce i technologii.
- A palavra "dreame" é a abreviatura da Dreame Technology Co., Ltd. também é a tradução do seu nome chinês " 追觅 ", o que significa buscar a excelência em todos os empreendimentos e reflete a visão da empresa de busca, exploração e criação da tecnologia.
- دريم هي مؤسسة صينية ويطلق على شركة دريم للتكنولوجيا المحدودة والشركات التابعة لها، وتعكس الترجمة الصوتية للمسمى الصيني " 追觅 " رؤية الشركة للسعي المستمر والاكتشاف والبحث في التكنولوجيا.
- Dreame הינו שמו המקוצר של החברה הישראלית Dreame Technology Co., Ltd. זהו תעתיק המבוסס על צליל השם הישראלי " 追觅 " וממחיש בתוכו את חזון החברה לחפש ולדרוף באופן בלתי פוסק בתחום הטכנולוגיה.



For more information, please visit www.dreame-technology.com
 Manufactured by: Dreame Trading (Tianjin) Co., Ltd.
 Made in China

VT1-EU-R00